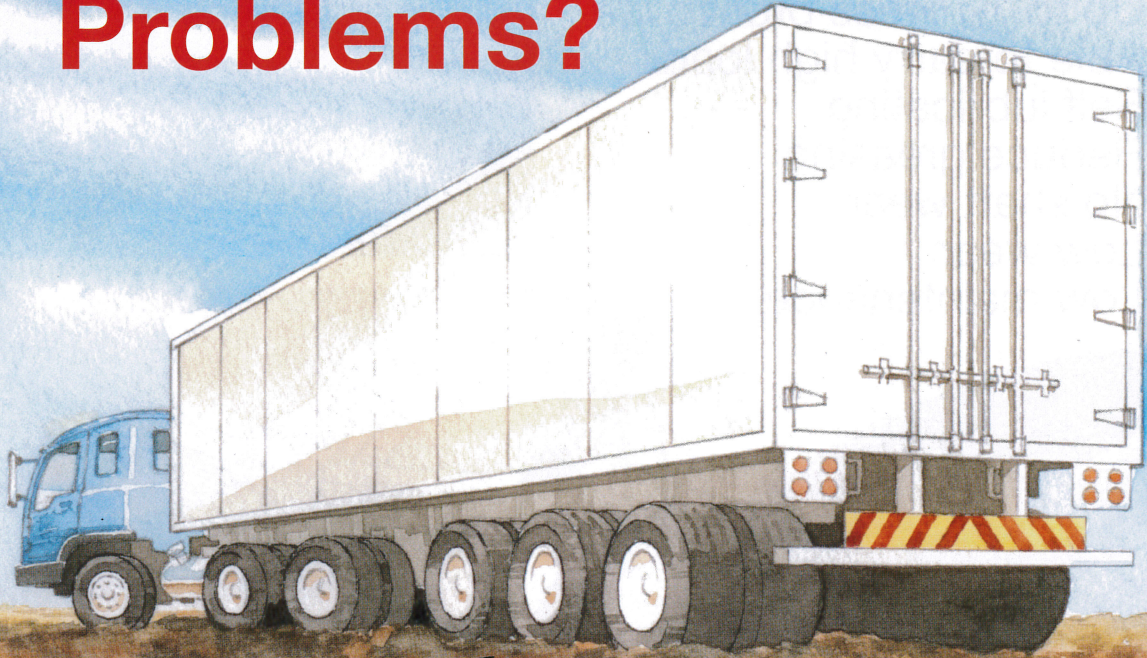


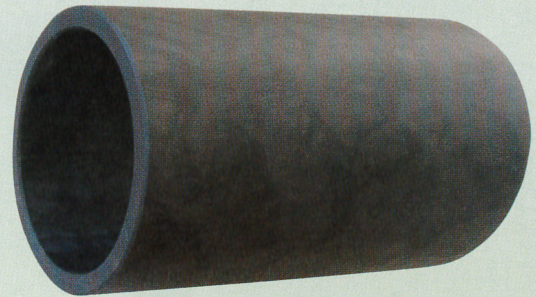
Suspension Bushing Problems?



Bronze

- Irregular maintenance
- Dirty and wet conditions

High wear rate



Vesconite

- Irregular maintenance
- Dirty and wet conditions

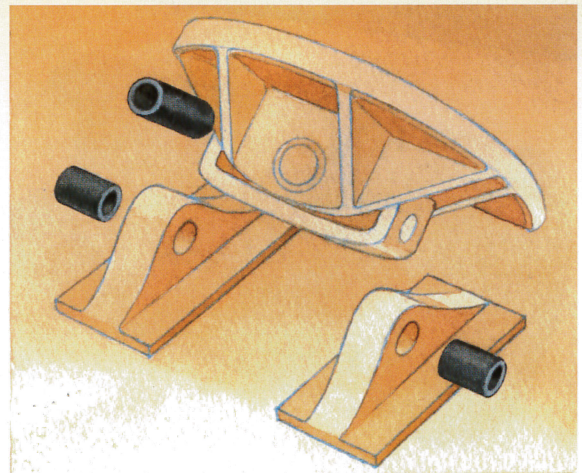
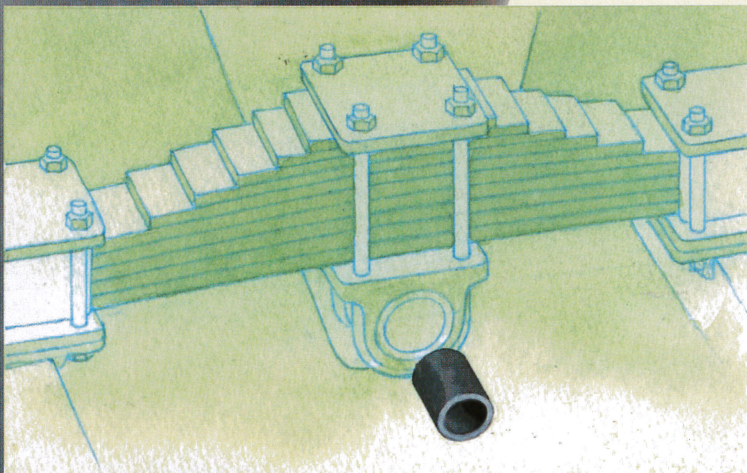
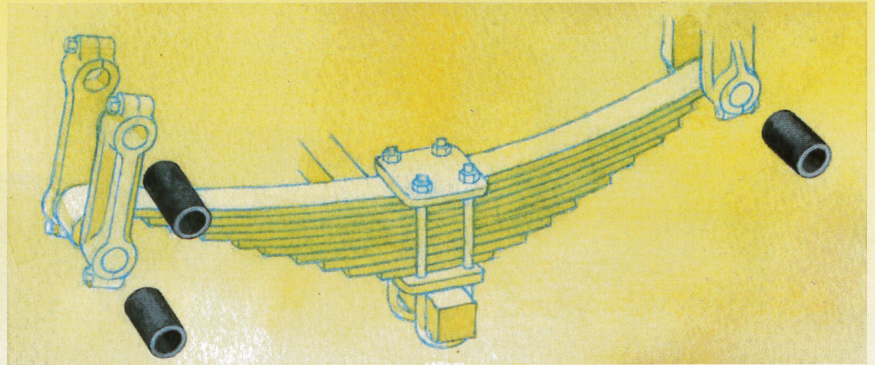
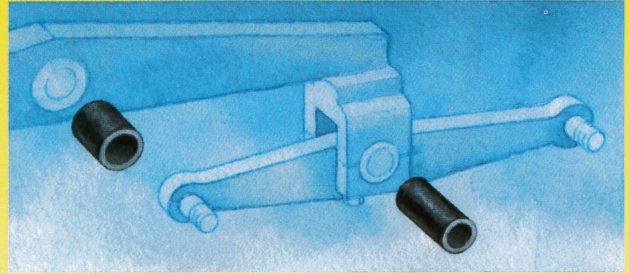
Low wear rate

Vesconite bushings give up to 10 times the life of bronze in wet, dirty, and poorly lubricated suspension applications.

Solve your bushing problems by replacing bronze with Vesconite ... Fit and Forget

Vesconite suspension bushings

- Up to 10 times bronze life
- Able to carry high loads
- Self lubricating
- Reduce greasing
- No shaft wear
- Low wear
- Low maintenance



- Please send me a Design Manual
- Please send me a sample
- Please contact me about an application

WAIKATO BEARINGS LIMITED

11 Northway Street
 Te Rapa, Hamilton
 P: 07 850 6155
 F: 07 850 6144
 E: sales@waikatobearings.co.nz



waikatobearings.co.nz