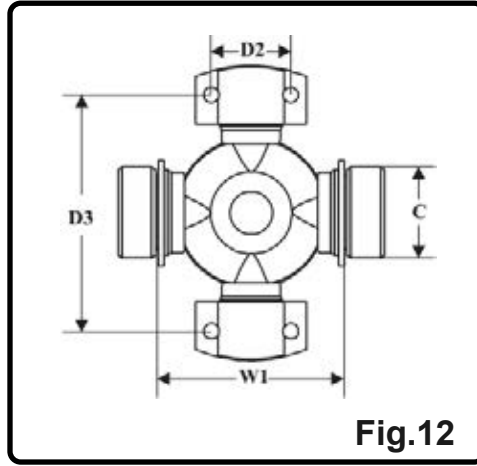
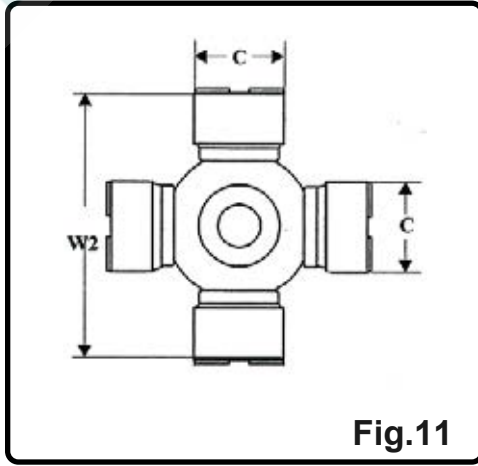
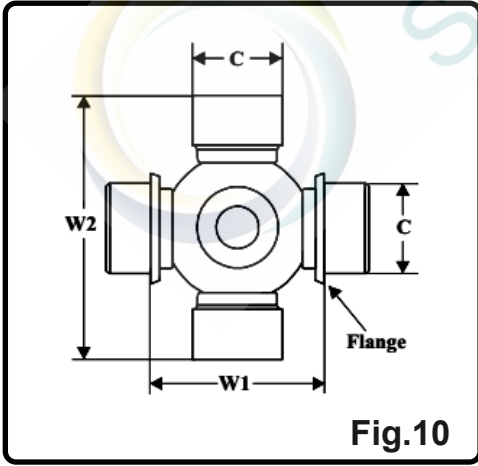
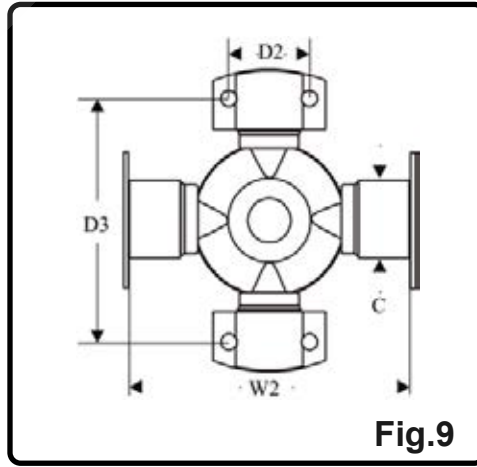
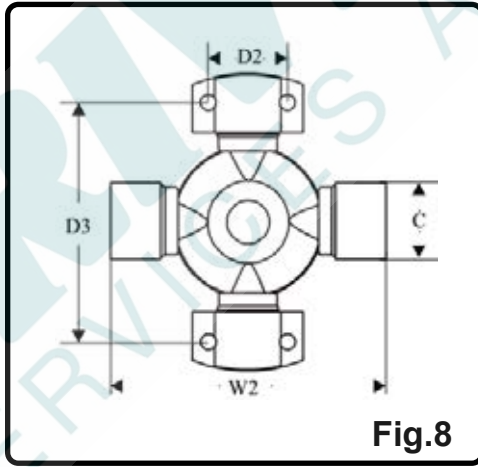
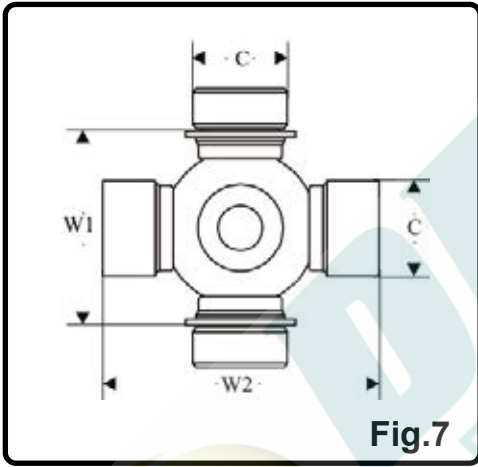
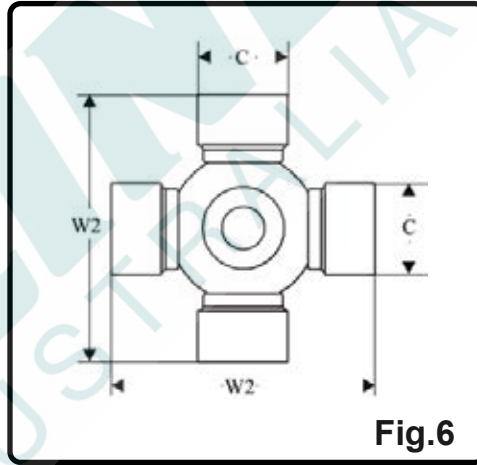
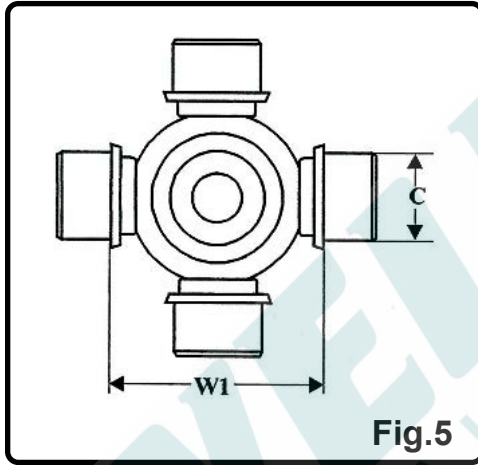
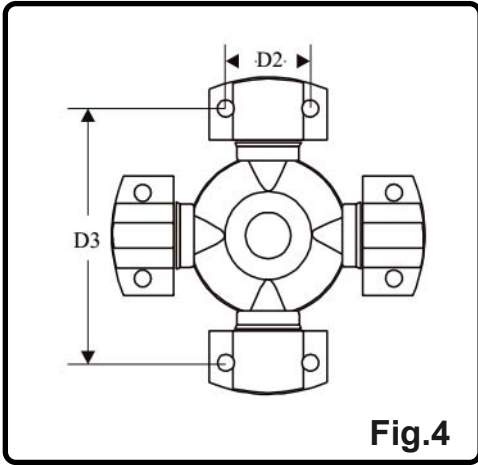
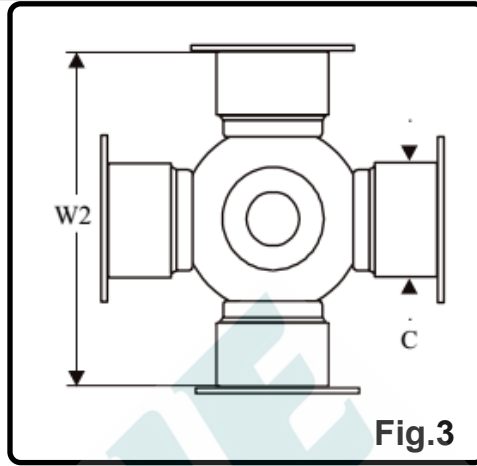
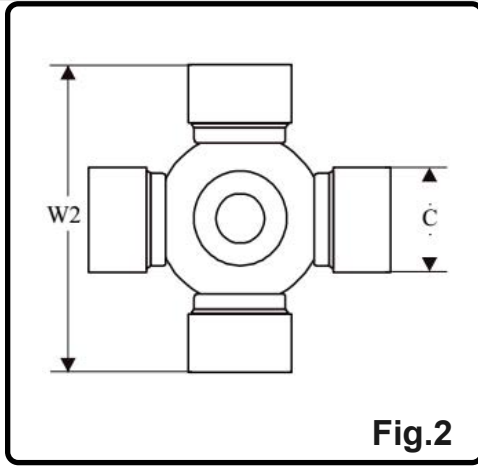
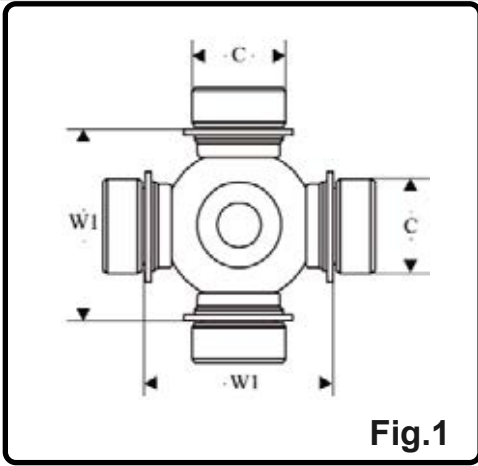
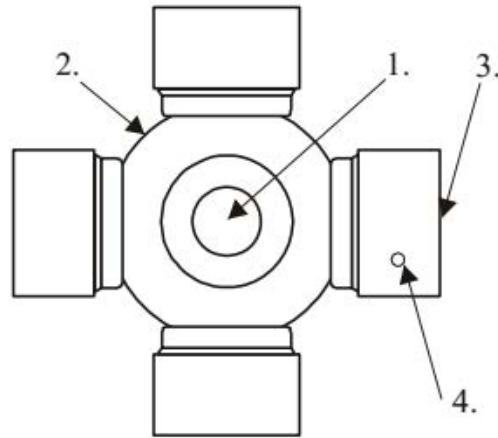


Universal Joint Types



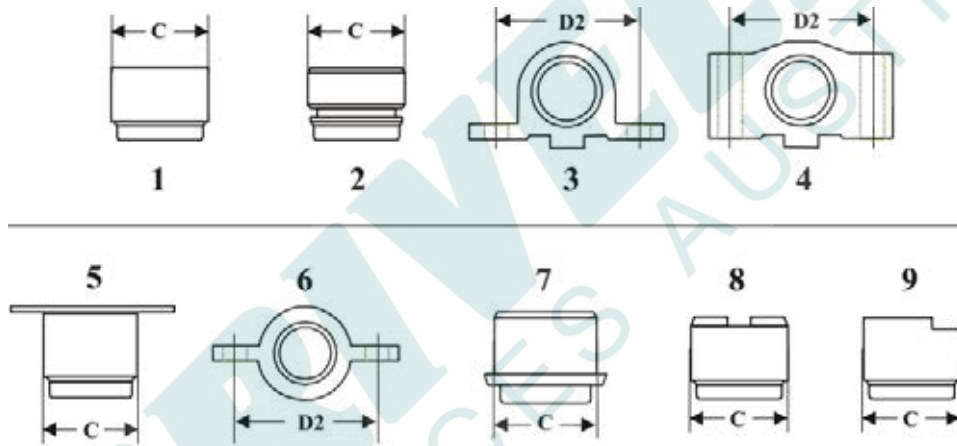
Universal Joint Types

Uni Lubrication Points



Note: Lubrication points are listed as guide only. This position can alter between joint manufacturers.

T = Tapped | D = Drilled & C/Bore



Solid Cross high-performance Universal Joints



Incorporating Teflon Thrust Pads to eliminate End Float. Identifiable by the "R" at the end of the following Series Part Numbers 17R, 2R, 21R, & 25R.

AUTOMOTIVE CONVERSION JOINTS

Part #	From Series	To Series	From Part	To Part	Notes
5.430X	1000	L6N	5.170X	114.1004	
5.248X	1210	17R	5.443X	RUJ1786	
RUJ2032	1310	2R	K5.13XR	RUJ2030	
K5A522.13XR	1310	Daihatsu	K5.13XR	K5A522	
RUJ2028.13XR	1310	Nissan	K5.13XR	RUJ2028	Use K5A522.13XR supplied with extra clips.
RUJ2039	1310	Ford 9"	K5.13XR	1310/9"	
RUJ2502	1310	25R			NLA
5.150X	1310	3R	K5.13XR	114.3105	SOME MANUFACTURES ALSO FORD 9"
401009	1310	7290	K5.13XR	114.232	
RUJ2100.13XR	1310	Toyota	K5.13XR	RUJ2100	
RUJ2033.13XR	1310	ISUZU	K5.13XR	RUJ2033	Use RUJ2100.13XR supplied with extra clips.
RUJ2023.13XR	1310	Mazda	K5.13XR	RUJ2023	
5.134X	1310	1330	K5.13XR	RUJ3002	
5.460X	1310	1350	K5.13XR	5.178X	
114.596	1330	3R	RUJ3002	114.3105	
5.355X	1330	7290	RUJ3002	114.232	
RUJ3000	1330	Ford 9"	RUJ3002		
K5A537	1330	1350	RUJ3002	5.178X	
K5A541	1350	Ford 9"	5.178X		
5.357X	1410	Dodge	K5GB10R	RUJ4007	
902023	1480	Isuzu	5.188X	K5A567	
RUJ2028.7260	21R	Nissan	RUJ2038	RUJ2028	
RUJ2029	21R	1310/9"	RUJ2038	1310/9"	
405002	21R	7290	RUJ2038	114.232	
RUJ2500	25R	Ford 9"	RUJ2500		Check End Caps have been ground to suit 9"
RUJ2034	2R	25R	RUJ2030	RUJ2500	Some manufacturers also suits Ford 9".
405001	3R	7290	114.3105	114.232	

Universal Joint Catalogue

DIA (C)	INT (W1)	EXT (W2)	Wing Type		Caps			Part #	Lube Type	Notes
			(D2)	(D3)	Q	T	F			
14.00		36.00			4	1	14	802037	1	ELBE 204
15.00		39.00			4	1	15	902001	NON	STAKED STEERING
16.00		39.00			4	1	16	902002	NON	STAKED STEERING
16.00		40.00			4	1	16	902020	NON	STAKED
17.00		41.00			4	1	17.	802024	1	ELBE 105
18.00		47.00			4	1	18	K5A587	1	WALTERSCHEID P.T.O.
19.00		44.00			4	1	19	902025	NON	STAKED STEERING SUZUKI
19.00		48.00			4	1	19	U901	1	373.20 G.W.B. / ELBE 106
19.00		48.00			4	1	19	U901S	NON	STAKED STEERING
19.05		52.00			4	1	19.	K5A546	1	0500 SERIES
20.00	29.80				4	2	20	901001	1	JAPANESE P.T.O.
20.00	38.10				4	2	20	RUJ1780		NISSAN
20.00	40.00				4	2	20	901004	3	TOYOTA T.C.M.
20.00		44.20			4	1	20	802001	1	MOTO GUZZI
20.00		44.70			4	1	20	902014	NON	KUBOTA
20.00		52.40			4	1	20	902004	NON	STAKED - NISSAN
20.00		55.00			4	1	20	K5A510	3	MAZDA
20.00		57.00			4	1	20	K5A517	3	TOYOTA
20.00		57.50			4	1	20	K5A549	1	M.D.P. - JAPANESE P.T.O.
20.07		59.80			4	1	20.	902005	NON	STAKED - SUZUKI
20.50		56.50			4	1	20.	K5A551	1	U.D. STEERING
22.00	35.50				4	2	22	404002	3	STAKED - REPL: TOY, NISSAN
22.00	38.50				4	2	22	401005	2	STAKED - REPL: MAZDA

Universal Joint Catalogue

DIA (C)	INT (W1)	EXT (W2)	Wing Type		Caps			Part #	Lube Type	Notes
			(D2)	(D3)	Q	T	F			
22.00	40.00				4	2	22	RUJ1501	3	TCM
22.00		49.00			4	1	22	802002	1	MOTO GUZZI
22.00		50.20			4	1	22	802003	1	MOTO GUZZI
22.00		52.00			4	1	22	802047	NON	STAKED - REPL: VOLVO
22.00		54.00			4	1	22	K5A588	1	BYPY P.T.O.
22.00		55.00			4	1	22	K5A589	1	WALTERSCHEID P.T.O.
22.00		57.50			4	1	22	902021	NON	STAKED - TOYOTA
22.00		58.00			4	1	22	802004	1	ELBE 107
22.00		58.90			4	1	22	U166	1	473.30 SERIES G.W.B.
22.00		60.00			4	1	22	902029	1	JAPANESE P.T.O
22.00		60.00			4	1	22	902029.1A	3	JAPANESE P.T.O
22.00		62.00			4	1	22	K5A553	1	JAPANESE P.T.O
22.00		64.00			4	1	22	902006	NON	STAKED
22.00		65.00			4	1	22	K5A554	NON	HONDA
22.00		67.00			4	1	22	902007	NON	STAKED
22.00 24.00		76.00 61.00			2 2	1 1	22 6	802067	1	WALTERSCHEID W2280 WIDE ANGLE
22.06		61.80			4	1	22.	U196	NON	STAKED - WASHER TYPE
22.22		61.93			4	1	22.	CPL10N	3	
22.50	37.65				4	2	22.	RUJ1500	3	MAZDA
23.00	49.00				4	2	23	RUJ1797	NON	SUBARU
23.00		58.20			4	1	23	U160	1	
23.80	37.70				4	2	23.	0675X	1	USE 5.170X
23.80	38.10				4	2	23.	5.170X	1	1000 SERIES P.T.O.

Universal Joint Catalogue

DIA (C)	INT (W1)	EXT (W2)	Wing Type		Caps			Part #	Lube Type	Notes
			(D2)	(D3)	Q	T	F			
23.80	38.10				4	2	23.	5.170X.1A	3	1000 SERIES P.T.O.
23.80	37.70				2	2	23.	06L6S	1	USE 5.430X
24.60	36.80				2	2				
23.80	38.10				2	2	23.	5.430X	1	1000 SERIES PO TO L6N SERIES PTO
24.60	36.80				2	2				
23.80		61.20			4	1	23.	K5A64	1	1140 SERIES P.T.O.
23.80		61.20			4	1	23.	K5LGB80R.1A	3	1140 SPICER
23.80		61.20			4	1	23.	K5GB150	NON	1140 SERIES SPICER
23.80		65.80			4	1	23.	902008	1	STEERING - REPL: HINO
23.80		86.00			4	1	23.	802063	1	BYPY 4 SERIES W / ANGLE
24.00	48.00				4	2	24	404003	2	STAKED - REPL: MAZDA
24.00		62.50			4	1	24	902009	NON	STAKED
24.00		63.30			4	1	24	K5A532	NON	ALFA ROMEO - LUBE THRU CAP ALSO AVAILABLE (.1A)
24.00		74.50			4	1	24	902010	NON	STAKED
24.00		78.00			4	1	24	902011	NON	STAKED FORD / HOLDEN
24.00		91.00			2	1	24	802068	1	WIDE ANGLE WALTERSCHEID W2380
27.00		75.00			2	1				
24.60	36.80				4	2	24.	114.1004	1	L6N SERIES P.T.O. / 1AG
24.60	42.87				4	2	24.	114.1501		CATERPILLAR
24.70	41.70				4	2	24.	401006	3	STAKED - REPL: NISSAN
25.00	42.90				4	2	25	RUJ1795	3	SUZUKI
25.00	43.60				4	2	25	RUJ1784	3	MAZDA
25.00	44.00				4	2	25	RUJ1781	3	NISSAN, SUBARU
25.00	56.00				4	2	25	RUJ2040	2	NISSAN
25.00	58.70				4	2	25	901005	1	TOYOTA T.C.M.
25.00		63.80			4	1	25	RUJ1783	3	MAZDA (K5A556) / MITSUBISHI

Universal Joint Catalogue

DIA (C)	INT (W1)	EXT (W2)	Wing Type		Caps			Part #	Lube Type	Notes
			(D2)	(D3)	Q	T	F			
25.00		63.90			4	1	25	902018	NON	SUZUKI
25.00		64.00			4	1	25	K5A557		HONDA
25.00		76.50			4	1	25	RUJ2045	NON	mitsubishi
25.00		77.00			4	1	25	K5A558	1	P.T.O.
25.00		77.80			4	1	25	K5A559	2	mitsubishi
25.40	43.64				4	2	25.	RUJ1786	3	17R SERIES MECH. - HOLDEN
25.40	43.64				4	2	25.	RUJ1786R	NON	17R SERIES - W/- THRUST PADS
25.40	43.64				2	2	25.	5.248X	1	17R SERIES MECHANICS TO 1210 SERIES SPICER
26.99		61.93			2	1				
25.40	43.64		33.34	44.86	2	2	25.	RUJ1764	3	17R SERIES MECHANICS TO 17C SERIES MECHANICS
					2	3T				
25.40	43.64		33.34	52.78	2	2	25.	RUJ1758		EARLY HOLDEN
					2	3T				
25.40	46.80				4	2	25.	401001	1	BENBOW P.T.O. / 2AG
25.40	59.44				4	2	25.	RUJ2030	NON	2R SERIES MECHANICS
25.40	59.44				4	2	25.	RUJ2030R	NON	2R SERIES - W/- THRUST PADS
25.40	59.44				4	2	25.	114.2101	2	2R SERIES MECHANICS
25.40	59.44				2	2	25.	RUJ2032	2	2R MECHANICS SERIES TO 1310 SERIES SPICER
26.99		81.76			2	1				
25.40	59.44				2	2	25.	RUJ2009	2	USE RUJ2034
28.58	59.44				2	2				
25.40	59.44				2	2	25.	RUJ2034	2	2R SERIES MECHANICS TO 25R SERIES MECH.
28.58	59.44	81.76			2	2				
25.40	59.44		33.34	59.44	2	2	25.	114.2111.1A	3	2R SERIES MECHANICS TO 2C SERIES MECHANICS
					2	3T				
25.40	59.44		33.34	59.44	2	2	25.	114.2114.1A	3	2R SERIES MECHANICS TO 2C SERIES MECHANICS
					2	3D				
25.40	59.44		36.52	69.85	2	2	25.	114.2198	NON	2R SERIES MECHANICS TO 3C SERIES MECHANICS
					2	3T				
25.40		86.00			4	1	25.	902024	1	KATO CRANE
26.00	46.60				4	2	26	RUJ1776	NON	TOYOTA
26.00	55.96				4	2	26	RUJ2016	2	TOYOTA

Universal Joint Catalogue

DIA (C)	INT (W1)	EXT (W2)	Wing Type		Caps			Part #	Lube Type	Notes
			(D2)	(D3)	Q	T	F			
26.00		69.80			4	1	26	U741	1	287.00 SERIES G.W.B. - LUBE THRU CAP ALSO AVAILABLE (.1A)
26.50	50.40				4	2	26.	RUJ2049	NON	MAZDA E2200
26.99	46.04				4	2	26.	RUJ1788	1	1200 SERIES P.T.O.
26.99	55.57				4	2	26.	5.174X	NON	1310 SERIES - AXLE JOINT
26.99	55.57				4	2	26.	5.260X	1	1310 SERIES - AXLE W/- SEALS
26.99	60.32	81.76			4	2	26.	RUJ2027	2	1310 SER. & FORD CLEVELAND
26.99		74.64			4	1	26.	K5GB31R	NON	CITREON WITH HOLE THRU CROSS
26.99		74.61			4	1	26.	K5LGB36R	1	1300 SERIES P.T.O. / 4AG
26.99		74.61			4	1	26.	K5GB35	NON	1300 SERIES - AXLE: NO SEALS
26.99		81.76			4	1	26.	K5A13XR	1	1310 SERIES P.T.O.
26.99		81.76			4	1	26.	5.433.1X	3	1310 SERIES SPICER
26.99		81.76			4	1	26.	5.625X	NON	1310 SERIES SPICER HEAVY DUTY WITH SOLID CROSS
26.99 27.38	54.00	81.76			2 2	1 2	26. 7	K5A530HD	NON	SPICER 1310/21R COMBO SOLID CROSS
26.99 28.00	55.96	81.76			2 2	1 2	26. 7	RUJ2028	2	USE K5A522.13XR
26.99 28.00	55.96	81.76 80.00			2 2	1 1	26. 2	K5A522.13XR	2	1310 SERIES SPICER TO DAIHATSU / NISSAN EXTRA CIRCLIPS INCLUDED
26.99 28.58	54.00	81.76			2 2	1 2	26.	114.2531	1	1310 SERIES SPICER TO 2.5R SERIES - AMERICAN
26.99 28.58	59.44	81.76 81.76			2 2	1 2	26.	RUJ2502	2	USE RUJ2039
26.99 28.58	59.44	81.76 81.76			2 2	2 1	26.	RUJ2039	2	1310 SERIES SPICER TO 9" FORD DIFF. (1310 - 25R)
26.99 28.58	65.10	81.76 92.08			2 2	1 2	26.	5.150X	2	1310 SERIES SPICER TO 3R SERIES SOME MANUFACTURERS ALSO 9" FORD DIFF.
26.99 28.58	66.67	81.76			2 2	1 2	26.	401009	2	1310 SERIES SPICER TO 7290 SERIES DETROIT
26.99 29.00	52.00	81.76			2 2	1 2	26.	RUJ2100.13XR	3	1310 TO TOYOTA / ISUZU EXTRA CIRCLIPS INCLUDED
26.99 29.00	53.10	81.76			2 2	1 2	26.	RUJ2033.13XR	3	USE RUJ2100.13XR
26.99 26.99		81.76 92.08			2 2	1 1	26.	5.134X	2	1310 SERIES SPICER TO 1330 SERIES SPICER

Universal Joint Catalogue

DIA (C)	INT (W1)	EXT (W2)	Wing Type		Caps			Part #	Lube Type	Notes
			(D2)	(D3)	Q	T	F			
26.99 30.16		81.76 92.08			2 2	1 1	26.	5.460X	2	1310 SERIES SPICER TO 1350 SERIES SPICER
26.99		81.76	33.34	59.53	2 2	1 3T	26.	5.291X	2&3	1310 SERIES SPICER TO 2C SERIES MECHANICS
26.99		81.76	36.52	69.85	2 2	1 3T	26.	5.356X	2	1310 SERIES SPICER TO 3C SERIES MECHANICS
26.99		92.08			4	1	26.	RUJ3002	2	1330/SPL25
26.99		92.08			4	1	26.	RUJ3002P	NON	1330 SERIES SPICER
26.99 28.58	65.10	92.08			2 2	2 1	26.	114.596	2	1330 SERIES SPICER TO 3R SERIES MECHANICS
26.99 28.58	66.68	92.08			2 2	1 2	26.	5.355X	2	1330 SERIES SPICER TO 7290 DETROIT
26.99 28.58		92.08 92.08			2 2	2 1	26.	RUJ3000	2	1330 SERIES SPICER TO 9" FORD DIFF. OTHER LUBE OPTIONS AVAILABLE
26.99 28.58		92.08 92.08			2 2	2 1	26.	RUJ3000P	NON	1330 SERIES SPICER TO 9" FORD DIFF. - HEAVY DUTY
26.99 30.16		92.08 92.08			2 2	1 1	26.	K5A537	2	1330 SERIES SPICER TO 1350 SERIES SPICER
27.00	49.02				4	2	27	901012	3	NISSAN NAVARA
27.00		65.30			4	1	27	K5A561	3	MITSUBISHI
27.00		70.00			4	1	27	K5A590	1	WALTERSCHEID BYPY P.T.O.
27.00		70.00			4	1	27	802044	2	ELBE 408 AXLE
27.00		71.00			4	1	27	802048	NON	STAKED TRANSIT
27.00		71.00			4	1	27	802058	NON	
27.00		71.00			4	1	27	802059	1	
27.00		74.50			4	1	27	K5A727	2	GWB 687.15/2015
27.00		80.00			4	1	27	902026	2	HYUNDAI
27.00		80.00			4	1	27	802049	NON	STAKED - VW
27.00		81.20			4	1	27	902028	3	TOYOTA PRADO DOUBLE CARDAN
27.00 28.00	59.10	81.76			2 2	1 2	27	RUJ2023.13XR	2	MAZDA - 1310
27.00 32.00		94.00 76.00			2 2	1 1	27 6	802069	1	WALTERSCHEID W2480 WIDE ANGLE

Universal Joint Catalogue

DIA (C)	INT (W1)	EXT (W2)	Wing Type		Caps			Part #	Lube Type	Notes
			(D2)	(D3)	Q	T	F			
27.38	54.00				4	2	27.	RUJ2038CL	1	21R MARINE (COLVO PENTA)
27.38 28.58	54.00	81.76			2 2	2	27.	RUJ2029	2	21R SERIES MECHANICS TO 1310/9" FORD DIFF
27.38 28.58	54.00 66.70				2 2	2	27.	405002	2	21R SERIES TO 7290 DETROIT
27.90	50.70				4	2	27.	401007	2	STAKED - REPL: NISSAN
28.00	53.00				4	2	28	U728	2	MERCEDES BENZ - OTHER OPTIONS AVAILABLE
28.00	59.10				4	2	28	RUJ2023	2	MAZDA
28.00		80.00			4	1	28	K5A522	1	DAIHATSU / NISSAN
28.50		70.90			4	1	28.	802039	1	ELBE 109 - NEW STYLE
28.50		78.00			4	1	28.	K5A562	1	MITSUBISHI
28.58	54.00				4	2	28.	114.2501	3	25R JAP DOUBLE CARDAN
28.58	59.44				4	2	28.	RUJ2500	2	25R SERIES MECHANICS W/ THRUST PADS (25R-FORD 9")
28.58	59.44				4	2	28.	RUJ2500R	NON	25R SERIES MECHANICS NOT SUITABLE FOR 9"
28.58	65.10				4	2	28.	114.3105	2	3R SERIES MECHANICS / 5AG
28.58	65.10				4	2	28.	114.3105.1A	3	3R SERIES MECHANICS / 5AG
28.58	65.10				4	2	28.	114.3105P	NON	3R SERIES MECHANICS / 5AG
28.58 28.58	65.10 66.67				2 2	2	28.	405001	NON	3R SERIES MECHANICS TO 7290 SERIES DETROIT
28.58	65.10		36.52	69.85	2 2	2 3T	28.	114.3102	2	3R MECHANICS SERIES TO 3C SERIES MECHANICS
28.58	65.10		36.52	69.85	2 2	2 4	28.	114.3120	2	3R MECHANICS SERIES TO 3C SERIES MECHANICS
28.58	66.67				4	2	28.	114.232	2	7290 SERIES DETROIT
28.58	82.55				4	2	28.	RUJ4000	2	4R MECHANICS SERIES
28.58	82.55		36.52	87.32	2	3D	28.	RUJ4002	2	COUNTERSUNK
28.58	82.55		36.52	87.32	2 2	2 3T	28.	RUJ4005	2	4R SERIES MECHANICS TO 4C SERIES MECHANICS
28.58	82.55		36.52	87.32	2 2	2 4	28.	114.4109	1	4R TO 4C HWD

Universal Joint Catalogue

DIA (C)	INT (W1)	EXT (W2)	Wing Type		Caps			Part #	Lube Type	Notes
			(D2)	(D3)	Q	T	F			
28.58		66.67			4	1	28.	CPL14N	1	NEAPCO 2000 SERIES P.T.O.
28.58		66.67			4	1	28.	CPL14N.1A	3	NEAPCO 2000 SERIES P.T.O.
28.58		77.90			4	1	28.	K5A519	1	TOYOTA
28.58		92.08			2	1	28.	K5A541	2	9" FORD DIFF. TO 1350 SERIES SPICER
30.16		92.08			2	1				
28.60		74.60			4	1	28.	802035		
29.00	52.00				4	2	29	RUJ2100	NON	TOYOTA
29.00	52.00				4	2	29	RUJ2100.1A	3	TOYOTA
29.00	52.00				4	2	29	RUJ2109	1	TOYOTA
29.00	52.00				4	2	29	RUJ2109R	1	TOYOTA WITH THRUST PADS
29.00	53.10				4	2	29	RUJ2033	2	ISUZU
29.00	72.00				4	2	29	901013	2	RODEO
29.00		80.00			4	1	29	802032	1	AGRICULTURAL
30.00	58.25				4	2	30	901002	1	MITSUBISHI
30.00	74.00				4	2	30	901014	1	PAJERO
30.00		78.20			4	1	30	K5A585	1	MITSUBISHI
30.00		79.00			4	1	30	802042	3	STEERING AXLE - OFFSET
30.00		81.80			4	1	30	U742LFL	NON	GWB 287.10 SERVICE FREE
30.00		83.00			4	1	30	802006.1A	3	ELBE 110/ 408 STEER
30.00		83.00			4	1	30	802006.011	4	ELBE 110/408 STEER CENTER YOKE LUBE THROUGH PORT IN CAP
30.00		83.00			4	1	30	802006.011R	4	ELBE 110/408 STEER CENTER YOKE LUBE THROUGH PORT IN CAP
30.16	55.57				4	2	30.	5.297X	NON	1350 SERIES - AXLE JOINT
30.16	55.57				4	2	30.	5.297X.1A	3	1350 SERIES - AXLE JOINT
30.16	65.10	92.08			2	1	30.	RUJ3001	2	1350 SERIES SPICER HAS VARIOUS COMBINATIONS
30.16	65.10	92.08			2	2				

Universal Joint Catalogue

DIA (C)	INT (W1)	EXT (W2)	Wing Type		Caps			Part #	Lube Type	Notes
			(D2)	(D3)	Q	T	F			
30.16		92.08			4	1	30.	5.178X.4A	3	1350/SPL30
30.16		92.08			4	1	30.	5.627X	NON	1350 SUITS ALUMINIUM SHAFTS
30.16		92.08			4	1	30.	5.178XSP	1	1350 SERIES SPICER SOLID CROSS HEAVY DUTY
30.16		92.08			4	1	30.	5.178X.1A	3	1350 SERIES
30.16		92.08			4	1	30.	K5A18R	1	1350 SERIES AGI
30.16	79.37	106.35			2	1	30.	RUJ4008	2	1410 SERIES SPICER (HAS VARIOUS COMBINATIONS)
30.16		106.35			2	1	30.	5.357X	2	1410 SERIES SPICER TO 5380 SERIES DETROIT
31.35	76.20				2	2				
30.16		106.35	36.52	87.32	2	1	30.	5.345X	2	1410 SERIES SPICER TO 4C SERIES MECHANICS
					2	4D				
30.16		106.35	36.52	87.32	2	1	30.	5.346X	2	1410 SERIES SPICER TO 4C SERIES MECHANICS
					2	3T				
30.20		80.00			4	1	30.	K5A591	1	BYPY P.T.O
30.20		81.80			4	1	30.	K5A536.A700	NON	GWB 687.20/2020 SERVICE FREE
30.20		99.40			4	1	30.	802064	1	BYPY 6 SERIES WIDE ANGLE
31.35	76.20				4	2	31.	RUJ4007	2	5380 SERIES DETROIT
31.75		81.36			4	1	31.	CP35N	1	NEAPCO 2200
31.75		81.36			4	1	31.	CP35N.1A	3	NEAPCO 2200
31.75		104.00			4	1	31.	402001	3	NEAPCO 2200/N44
31.75		102.00			4	1	31.	K5A563	1	MITSUBISHI
32.00	59.95				4	2	32	RUJ3003	1	MAZDA
32.00	64.00				4	2	32	RUJ2041	2	TOYOTA
32.00	64.00				4	2	32	RUJ2041R	2	TOYOTA WITH THRUST PADS
32.00	68.20				4	2	32	901003	1	NISSAN PATROL 1988-
32.00	87.00				4	2	32	901015	2	FURUKAWA
32.00	87.00		42.85	88.90	2	4	32	912004	2	KOMATSU / FURUKAWA (32X87 - 5C)
					2	4				

Universal Joint Catalogue

DIA (C)	INT (W1)	EXT (W2)	Wing Type		Caps			Part #	Lube Type	Notes
			(D2)	(D3)	Q	T	F			
32.00		76.00			4	1	32	K5A592	1	WALTERSCHEID
32.00		86.00			4	1	32	802027	2	FORD TRACTOR
32.00		95.60			4	1	32	802031LFL	NON	SCHINDLER TRACTOR SF
32.00		106.00			2	1	32	802070		WALTERSCHEID W2580 WIDE ANGLE
36.00		89.00			2	1	6			
32.00		107.00			4	1	32	K5A564	2	NISSAN
33.00		93.00			4	1	33	902013	1	ISUZU FOTON
33.35	84.15				4	2	33.	114.5109	2	5R SERIES MECHANICS
33.35	84.15		42.85	88.90	2	2	33.	114.5110	2	5R SERIES MECHANICS TO 5C SERIES MECHANICS
					2	3D				
33.35	84.15		42.85	88.90	2	2	33.	114.5132	2	5R SERIES MECHANICS TO 5C SERIES MECHANICS
					2	3T				
33.35	84.15		42.85	88.90	2	2	33.	114.5154	2	5R SERIES MECHANICS TO 5C SERIES MECHANICS
					2	4				
33.35	109.50				4	2	33.	114.6135	2	6R SERIES MECHANICS
33.35	109.50		42.85	114.30	2	2	33.	114.6107	2	6R SERIES MECHANICS TO 6C SERIES MECHANICS
					2	3T				
33.35	109.50		42.85	114.30	2	2	33.	114.6150	2	6R SERIES MECHANICS TO 6C SERIES MECHANICS
					2	4				
33.35	70.64				4	2	33.	CP44R	2	ROCKWELL P.T.O. / 44N
34.00	56.00				4	2	34	RUJ3004	1	WALTERSCHEID
34.00		89.00			4	1	34	802045	1	MERCEDES BENZ
34.00		96.00			4	1	34	802020	4	AXLE - OFFSET TRUNNIONS
34.00		97.00			4	1	34	802007	1	ELBE 112 - OLD STYLE
34.00		97.00			4	1	34	802007.1A	3	ELBE 112 - OLD STYLE
34.00		97.00			4	1	34	802007.011	4	ELBE 112 - OLD STYLE
34.00		106.50			4	1	34	802028	1	AGRICULTURAL
34.00		107.00			4	1	34	U188	2	
34.90		92.00			4	1	34.	K5A729	1	GWB 687.25/2025 COMPACT

Universal Joint Catalogue

DIA (C)	INT (W1)	EXT (W2)	Wing Type		Caps			Part #	Lube Type	Notes
			(D2)	(D3)	Q	T	F			
34.93	76.20				4	2	34.	5.88X	2	1480 SERIES - AXLE JOINT
34.93		106.38			4	1	34.	K5A538	1	1480 SERIES P.T.O.
34.93		106.38			4	1	34.	5.188X	2	1480/SPL55
34.93		106.38			2	1	34.	902023	1	1480 - ISUZU
35.00		104.00			2	1				
34.93		106.38	42.85	88.90	2	1	34.	5.347X	2	1480 SERIES SPICER TO 5C SERIES MECHANICS
					2	4				
34.93		106.38	42.85	88.90	2	1	34.	5.348X	2	1480 SERIES SPICER TO 5C SERIES MECHANICS
					2	3T				
34.93		126.20			4	1	34.	5.155XLFL	NON	SPICER 1550 SERVICE FREE
34.93		126.20	42.85	114.30	2	1	34.	5.220X	2	1550 SERIES SPICER TO 6C SERIES MECHANICS
					2	3T				
34.93		126.20	42.85	114.30	2	1	34.	5.221X	2	1550 SERIES SPICER TO 6C SERIES MECHANICS
					2	4				
34.93		126.20	49.21	107.50	2	1	34.	5.328X	2	1550 SERIES SPICER TO CP58WB SERIES
					2	4				
34.93		126.20	49.21	107.50	2	1	34.	5.693X	2	1550 SERIES SPICER TO CP58WB
					2	3T				
35.00		87.00			4	1	35	802034	4	ELBE - OFFSET STEERING
35.00		94.00			4	1	35	802061	1	BYPY NEW 7 SERIES
35.00		96.00			4	1	35	802025	4	OFFSET STEERING - AXLE
35.00		96.80			4	1	35	U743LFL	NON	GWB 587.10 SERVICE FREE
35.00		97.00			4	1	35	802040.1A	3	ELBE 112 - NEW STYLE
35.00		97.00			4	1	35	802040.1AR	3	ELBE 112 - NEW STYLE PREM.
35.00		97.00			4	1	35	802040.4AR	3	ELBE 112 - NEW STYLE PREM.
35.00		99.00			4	1	35	K5A566	1	HINO
35.00		104.00			4	1	35	K5A567	1	ISUZU
35.00		106.00			4	1	35	802065	1	BYPY 8 SERIES W/ANGLE
35.50		119.00			4	1	35.	K5A568	2	NISSAN
36.00		89.00			4	1	36	K5A593	1	WALTERSCHEID

Universal Joint Catalogue

DIA (C)	INT (W1)	EXT (W2)	Wing Type		Caps			Part #	Lube Type	Notes
			(D2)	(D3)	Q	T	F			
36.00		97.00			4	8	36	K5A523	1	ISUZU
36.00		104.00			4	1	36	K5A569	1	MITSUBISHI
36.00		110.35			4	1	36	K5A571	2	HINO
36.00		115.60			4	1	36	902015	1	HINO
37.00	71.00				4	2	37	RUJ4009	1	MAZDA
38.00	62.00				4	2	38	U730	1	MERCEDES BENZ
38.00		89.20			4	1	38	802008	NON	MERCEDES BENZ
38.00		104.00			4	1	38	K5A572	1	MITSUBISHI
38.00		104.00			4	1	38	802030	3	469.30 SERIES - AXLE OFFSET
38.00		106.00			4	1	38	802022.011	4	ELBE 113
38.00		107.00			4	1	38	802033	NON	ELBE - OFFSET STEERING
38.00		110.00			4	1	38	U752LFL	NON	MERCEDES SERVICE FREE
38.00		112.00			4	1	38	U764	2	
38.00		148.00			4	1	38	802009	1	SCANIA - STRAIGHT BRACKETS
38.00		148.00			4	1	38	802010LFL	NON	SCANIA 4.5 DEG SERVICE FREE
38.00		102.00			4	1	38	802026		369.30 G.W.B OFFSET CROSS
38.00		119.00								
38.89		109.60			4	1	38.	CP55N	2	NEAPCO 55N SERIES P.T.O.
39.00		116.40			4	1	39	K5A632	2	FIAT
39.00		127.00			4	1	39	U385	1	
39.70		115.90			4	1	39.	K5GB22R	2	1510 SERIES SPICER
39.70		115.90			4	8	39.	K5GB15R	2	1500 SERIES SPICER
39.70		115.90			4	1	39.	K5A725	2	1630 SERIES (HD 1510)
40.00		111.00			4	1	40	902019		MITSUBISHI

Universal Joint Catalogue

DIA (C)	INT (W1)	EXT (W2)	Wing Type		Caps			Part #	Lube Type	Notes
			(D2)	(D3)	Q	T	F			
40.00		115.00			4	1	40	K5A639	1	ISUZU / HINO EXTRA CIRCLIPS INCLUDED
40.00		115.50			4	1	40	902016	1	USE K5A639
40.00		118.00			4	8	40	K5A573	2	TOYOTA
40.00	169.30		50.00	180.00	2	2	40	912001	3	KOMATSU - WITH HOLE IN CROSS
40.00	169.30		50.00	180.00	2	4	40	912002	3	KOMATSU - COUPLING ASSY (CONTAINS 2 OF 912001)
41.00	111.20		49.21	117.60	2	2	41	912003	2	FURUKAWA & KOMATSU
41.00		108.00			4	1	41	802062	1	BYPY 9 SERIES
41.00		118.00			4	1	41	K5A594	1	BYPY 10 SERIES
41.28		126.00			4	1	41.	SPL90X	2	SPL90 SPICER
41.28		128.63			4	1	41.	CP750N	1	
41.28		142.00			4	1	41.	5.165X	2	1650 SERIES SPICER
41.28		142.00	49.20	117.60	2	1	41.	5.330X	2	1650 SERIES SPICER TO 7C SERIES MECHANICS
41.28		142.00	49.21	117.60	2	1	41.	5.331X	2	1650 SERIES SPICER TP 7C SERIES MECHANICS
41.28	110.80				4	2	41.	114.7294	2	7R SERIES MECHANICS
41.28	110.80		49.21	117.60	2	2	41.	114.7000RHWD	2	7R SERIES MECHANICS TO 7C HWD SERIES J.C.B.
41.28	167.90		49.21	174.63	2	2	41.	114.8014	2	8R SERIES MECHANICS TO 8C HWD SERIES MECHANICS
42.00	72.00				4	2	42	U747	1	MERCEDES BENZ
44.00	84.00				4	2	44	U737	1	MERCEDES BENZ
42.00		104.00			4	1	42	K5A595	1	WALTERSCHEID
42.00		104.50			4	1	42	K5A622LFL	NON	GWB 587.15 SERVICE FREE
42.00		106.00			4	1	42	802057LFL	NON	MERCEDES SERVICE FREE
42.00		110.00			4	1	42	802056	4	OFF SET STRG
42.00		115.00			4	1	42	902017	1	ISUZU

Universal Joint Catalogue

DIA (C)	INT (W1)	EXT (W2)	Wing Type		Caps			Part #	Lube Type	Notes
			(D2)	(D3)	Q	T	F			
42.00		117.50			4	1	42	802051	1	ELBE 148 SERIES
42.00		119.40			4	1	42	802054LFL	NON	GWB 687.35/2035 SERVICE FREE
42.00		123.00			4	1	42	802011	1	ELBE 115
42.00		123.00			4	1	42	802011.1A	3	ELBE 115
42.00		125.00			4	8	42	K5A574	1	ISUZU
43.00		136.00			4	8	43	K5A547	1	NISSAN
44.00		124.80			4	1	44	U746	1	287.30 SERIES G.W.B.
44.00		126.20			4	1	44.	U380	1	VOLVO - 1600 SERIES 3 BOLTS
44.00		129.00			4	1	44	902022	1	MITSUBISHI
44.00		129.00			4	1	44	K5A576	1	MITSUBISHI
44.00		149.00			4	1	44	U384	2	SCANIA - T60 SERIES
45.00		120.40			4	1	45.	U753	1	MERCEDES BENZ
45.00		124.80			4	1	45	802021	1	VOLVO 3 BOLT
45.00		125.00			4	1	45	802046	4	OFFSET AXLE JOINT
45.00		131.00			4	1	45	802012	1	ELBE 116
45.00		152.00			4	1	45	K5A605	1	ELBE 118 SERIES
46.00		136.00			4	8	46	K5A577	1	ISUZU
46.00		142.00			4	8	46	K5A578	1	MITSUBISHI
46.00		148.00			4	8	46	K5A586	1	MITSUBISHI
47.00		124.00			4	8	47	K5A579	1	HINO
47.00		130.00			4	8	47	903004	1	HINO
47.00		131.00			4	1	47	U810	1	
47.00		138.00			4	8	47	K5A580	1	HINO

Universal Joint Catalogue

DIA (C)	INT (W1)	EXT (W2)	Wing Type		Caps			Part #	Lube Type	Notes
			(D2)	(D3)	Q	T	F			
47.00		142.00			4	1	47	802050		369.40 GWB SERIES
47.00		144.10			4	8	47	K5A581	1	HINO
47.63		134.94			4	5	47.	5.279X	2	1610 SERIES SPICER
47.63		134.94			2	5	47.	5.674X	2	1610 SERIES SPICER TO 1610 - HALF RND W/- STRAPS
47.63		134.94			2	1				
47.63		135.17			4	1	47.	802043	1	687.40/2040 SERIES G.W.B.
47.63		135.17			4	1	47.	802043LFL	NON	687.40 SERIES G.W.B.
48.00		116.50			4	1	48	U767	1	587.20 SERIES G.W.B.
48.00		126.00			4	1	48	U765LFL	NON	MERCEDES SERVICE FREE
48.00		131.20			4	1	48	802013	1	KEMPF
48.00		145.00			4	8	48	K5A582	1	ISUZU
48.00		161.00			4	1	48	802015	1	SCANIA - LESS BLOCKS
48.00		161.00			4	1	48	802015	1	SCANIA - LESS BLOCKS
48.00		161.00			4	1	48	802014	NON	SCANIA STRAIGHT BLOCKS
49.00		135.00			4	5	49	803001	2	FIAT
49.00		135.00			4	1	49	802060		BYPY 12 SERIES
49.00		155.00			4	8	49	U501	2	FIAT
49.21		150.72			4	1	49.	CP850N	1	
49.21		154.78			4	5	49.	5.280X	2	1710 SERIES SPICER
49.21		154.78			2	5	49.	5.675X	2	1710 SERIES SPICER TO 1710 - HALF RND W/- STRAPS
49.21		157.08			2	1				
49.21		154.78			2	5	49.	403001	2	1710 SERIES SPICER TO CP7N SERIES
50.80		150.83			2	8				
49.21		154.78	71.44	123.83	2	5	49.	409001	2	1710 SERIES SPICER TO 8.5C SERIES MECHANICS
					2	4				
49.21		177.80			4	5	49.	5.407X	2	1760 SERIES SPICER
49.21		177.80			2	5	49.	5.677X	2	1760 SERIES SPICER TO 1760 SERIES - HALF ROUND
49.21		180.10			2	1				

Universal Joint Catalogue

DIA (C)	INT (W1)	EXT (W2)	Wing Type		Caps			Part #	Lube Type	Notes
			(D2)	(D3)	Q	T	F			
49.21		191.69			4	5	49.	5.281X	2	1810 SERIES SPICER
49.21		191.69			2	5	49.	5.676X		1810 - HALF RND W/- STRAPS
49.21		194.00			2	1				
49.21		191.69	71.44	168.30	2	5	49.	5.324X	2	1810 SERIES SPICER TO 9C SERIES MECHANICS
					2	4				
50.00		118.00			4	1	50	802066	1	WALTERSCHEID 2700
50.00		131.00			4	1	50	U811	1	
50.00		152.60			4	1	50	U381	1	VOLVO - 1700 SERIES 3 BOLTS
50.00		153.00			4	1	50	U739	1	
50.00		155.00			4	8	50	903006	1	ISUZU
50.00		159.00			4	8	50	K5A583	2	HINO
50.00		164.00			4	1	50	U386	2	SCANIA T70 SERIES
50.00		165.00			4	8	50	903003	2	HINO
52.00		133.00			4	1	52	U756LFL	NON	GWB 587.30 SERVICE FREE
52.00		147.20			4	1	52	802029	1	687.45 SERIES G.W.B.
52.00		147.20			4	1	52	802029LFL	NON	687.45 SERIES G.W.B.
52.00		154.00			4	8	52	K5A584	1	MITSUBISHI
52.00		160.00			4	8	52	903001	1	MITSUBISHI
52.00		170.00			4	8	52	903005		MITSUBISHI
52.35		174.75	71.40	134.50	2	1	52.	CP20RPLS	NON	MERITOR 20RPL SERIES SERVICE FREE
					2	6				
53.00		135.00			4	1	53	U761LFL	NON	MERCEDES SERVICE FREE
53.50		155.00			4	8	53.	903009	1	ISUZU
55.00		164.00			4	8	55	K5A548	1	U.D. NISSAN
55.00		164.00			4	1	55	U812	2	
55.00		164.00			4	1	55	SPL170X	1	SPL170

Universal Joint Catalogue

DIA (C)	INT (W1)	EXT (W2)	Wing Type		Caps			Part #	Lube Type	Notes
			(D2)	(D3)	Q	T	F			
55.00		169.00			4	8	55	903002	1	ISUZU
55.55		205.59			4	1	55.	5.185X	2	1850 SERIES SPICER
55.55		205.59	71.44	168.30	2	1	55.	5.186X	2	1850 SERIES SPICER TO 9C SERIES MECHANICS
55.55		205.59	71.44	168.30	2	1	55.	5.187X	2	1850 SERIES SPICER TO 9C SERIES MECHANICS
55.55		205.59			4	5	55.	5.308X	2	1880 SERIES SPICER
55.55		205.59	71.44	168.30	2	5	55.	5.326X	2	1880 SERIES SPICER TO 9C SERIES MECHANICS
55.55		205.59	71.44	168.30	2	5	55.	5.327X	2	1880 SERIES SPICER TO 9C SERIES MECHANICS
57.00		144.00			4	1	57	U813LFL	NON	GWB 587.36 SERVICE FREE
57.00		152.00			4	1	57	U763	1	587.42/687.55/2055 SERIES G.W.B. - OTHER OPTIONS AVAILABLE
57.00		152.60			4	1	57	803002	1	VOLVO - 1800 SERIES 3 BOLTS
57.00		164.00			4	1	57	802017	1	SCANIA - STRAIGHT BRACKETS
57.00		164.00			4	1	57	802018	1	SCANIA - LESS BRACKETS
57.00		164.00			4	1	57	802019LFL	NON	SCANIA P500 4.5 DEGREE SERVICE FREE
58.00		175.00			4	8	58	903008	1	HINO
59.00		167.40			4	1	59.	802041	2	VOLVO - 687.60 SERIES G.W.B
59.00		167.40			4	1	59	802041LFL	NON	VOLVO - 687.60 SERIES G.W.B
59.10		167.49			4	5	59.	5.124X	2	1800 SERIES SPICER
60.00		163.00			4	1	60	SPL250X	1	SPL250
60.00		170.00			4	8	60	K5A630	2	FIAT - TRUCK
60.00		180.00			4	1	60	802052	1	EUROPEAN
63.50		178.00			4	8	63.	903007	1	NISSAN - UD
65.00	144.00				4	7	65.	5.316X	2	1910 SERIES SPICER / 190.50 SERIES GWB - PLEASE CHECK PART#
65.00		157.00			4	1	65	U3180	1&3	VOITH

Universal Joint Catalogue

DIA (C)	INT (W1)	EXT (W2)	Wing Type		Caps			Part #	Lube Type	Notes
			(D2)	(D3)	Q	T	F			
65.00		172.00			4	1	65	K5A643	1	587.48/687.65/2065 SERIES G.W.B.- OTHER OPTIONS AVAILABLE
65.00		190.00			4	1	65	802036LFL	NON	SCANIA P600 SERVICE FREE
68.00	95.00				4	2	68.	801001	1	ACTROSS. 89.00MM BETWEEN CIRCLIPS
71.43		223.04			4	8	71.	5.54X	2	1900 SERIES SPICER - 4 BOLTS
72.00		185.00			4	1	72	K5A625	1	587.50 SERIES G.W.B. - OTHER OPTIONS AVAILABLE
74.00	129.00				4	2	74	5.370X	1	292.50 SERIES G.W.B.
74.00	154.00				4	7	74	K5A626	2	190.55 SERIES G.W.B.
74.00		185.00			4	1	74	U3208	1	VOITH ST250.8/WT225.8
74.00		217.00			4	1	74.	K5A708	1	587.55 SERIES G.W.B.
77.80		255.19			4	1	77.	5.339X	2	1950 SERIES SPICER
83.00	139.00				4	7	83	5.371X	1	2010 SERIES SPICER
83.00		220.00			4	1	83	U3250	1	VOITH
83.00	175.00				4	7	83	K5A627	2	190.60 SERIES G.W.B.
95.00	139.00				4	7	95	K5A715	1	390.65 SERIES G.W.B.
95.00	160.00				4	7	95	5.372X	2	292.60 SERIES G.W.B.
95.00	190.00				4	7	95	K5A628	2	190.65 SERIES G.W.B.
95.00		250.00			4	1	95	U3285	1	VOITH.
110.00	210.00				4	7	11	K5A629	2	190.70 SERIES G.W.B.
110.00		275.00			4	1	11	U3315		VOITH
120.00	176.00				4	7	12	K5A717	1	390.75 SERIES G.W.B.
120.00	235.00				4	7	12	5.368X	2	190.75 SERIES G.W.B.
130.00	262.00				4	7	13	5.369X	2	190.80 SERIES G.W.B.
			33.34	59.53	4	3T		114.2110.1A	2&3	2C SERIES MECHANICS

Universal Joint Catalogue

DIA (C)	INT (W1)	EXT (W2)	Wing Type		Caps			Part #	Lube Type	Notes
			(D2)	(D3)	Q	T	F			
			33.34	59.53	4	3D		114.2117	2	USE 114.2186
			33.34	59.53	4	3D		114.2186	3	2C LWD WITH BOLTS
			33.34	59.53	2	3T		114.2116	2	USE 114.2185
			33.34	59.53	2	3D				
			33.34	59.53	2	3T		114.2185	3	2C SERIES MECHANICS
			33.34	59.53	2	3D				
			36.52	69.85	4	3T		114.3100	2	3C SERIES MECHANICS
			36.52	69.85	4	4		114.3125	2	3C SERIES MECHANICS
			36.52	69.85	2	3D		114.3101	2&3	3C SERIES MECHANICS COUNTERSUNK
			36.52	69.85	2	3T				
			36.52	69.85	2	3T		114.3121	2	3C SERIES MECHANICS LWT TO HWD
			36.52	69.85	2	4				
			36.52	87.32	4	3T		114.4100	2	4C SERIES MECHANICS
			36.52	87.32	4	4		114.4113	2	4C SERIES MECHANICS
			36.52	87.32	2	3T		114.4110	2	4C SERIES MECHANICS
			36.52	87.32	2	4				
			36.52	87.32	2	3T		RUJ4003	2	4C SERIES MECHANICS COUNTERSUNK
			36.52	87.32	2	3D				
			36.52	87.32	2	3D		114.4141	2	4C SERIES MECHANICS
			36.52	87.32	2	4				
			36.52	87.32	4	3D		114.4105	2	4C SERIES MECHANICS COUNTERSUNK
			42.85	88.90	4	3T		114.5122	2	5C SERIES MECHANICS
			42.85	88.90	4	4		114.5177	2	5C SERIES MECHANICS
			42.85	88.90	4	4		114.5177LFL	NON	5C SERIES - LUBE FOR LIFE
			42.85	88.90	4	3D		114.5148	2	5C SERIES MECHANICS
			42.85	88.90	2	3T		114.5173	2	5C SERIES MECHANICS
			42.85	88.90	2	4				
			42.85	88.90	2	3T		114.5127	2	5C SERIES MECHANICS
			42.85	88.90	2	3D				
			42.85	114.30	4	3T		114.6143	2	6C SERIES MECHANICS
			42.85	114.30	4	3D		114.6104	2	6C SERIES - COUNTERSUNK
			42.85	114.30	4	4		114.6128	2	6C SERIES MECHANICS

Universal Joint Catalogue

DIA (C)	INT (W1)	EXT (W2)	Wing Type		Caps			Part #	Lube Type	Notes
			(D2)	(D3)	Q	T	F			
			42.85	114.30	4	4		114.6128LFL	NON	6C SERIES - LUBE FOR LIFE
			42.85	114.30	2	3T		114.6114	2	6C SERIES MECHANICS
			42.85	114.30	2	4				
			42.85	114.30	2	3T		114.6103	2	6C SERIES MECHANICS
			42.85	114.30	2	3D				
			42.85	114.30	2	4		114.6285	2	6C SERIES MECHANICS DOUBLE KEYED
			42.85	114.30	2	4				
			42.85	114.30	2	3T		114.6162	2	6C SERIES MECHANICS TO 7C SERIES MECHANICS
			49.21	117.60	2	3T				
			42.85	114.30	2	3T		114.6163	2	6C SERIES MECHANICS TO 7C SERIES MECHANICS
			49.21	117.60	2	4				
			49.20	104.00	4	4		804001	2	EUROPEAN TRACTOR
			49.21	107.50	4	3T		CP58WB29	2	JOHN DEERE - SKIDDER
			49.21	107.50	4	4		CP58WB38	2	JOHN DEERE - SKIDDER
			49.21	107.50	2	3T		CP58WB37	2	JOHN DEERE - SKIDDER
			49.21	107.50	2	4				
			49.21	117.60	4	3T		114.7205	2	7C SERIES MECHANICS
			49.21	117.60	4	4		114.7126	2	7C SERIES MECHANICS
			49.21	117.60	4	4		114.7126LFL	NON	7C SERIES - LUBE FOR LIFE
			49.21	117.60	4	4		114.7126.4A	3	7C SERIES - 4 NIPPLES
			49.21	117.60	4	3D		114.7208	2	7C SERIES - COUNTERSUNK
			49.21	117.60	2	3T		114.7207	2	7C SERIES MECHANICS WING - BLOCK
			49.21	117.60	2	4				
			49.21	117.60	2	3T		114.7207.4A	2	7C SERIES MECHANICS WING - BLOCK 4 NIPPLES
			49.21	117.60	2	4				
			49.21	117.60	2	3D		114.7209	2	7C SERIES MECHANICS COUNTERSUNK
			49.21	117.60	2	4				
			49.21	117.60	2	3T		114.7206	2	7C SERIES MECHANICS COUNTERSUNK
			49.21	117.60	2	3D				
			49.21	174.63	4	3T		114.8205	2	8C SERIES MECHANICS
			49.21	174.63	4	3D		114.8208	2	8C SERIES MECHANICS
			49.21	174.63	4	4		114.8113	2	8C SERIES MECHANICS
			49.21	174.63	4	4		114.8113.4A	3	8C SERIES LUBE THRU 4 CAPS

Universal Joint Catalogue

DIA (C)	INT (W1)	EXT (W2)	Wing Type		Caps			Part #	Lube Type	Notes
			(D2)	(D3)	Q	T	F			
			49.21	174.63	4	4		114.8113LFL	NON	8C SERIES - LUBE FOR LIFE
			49.21	174.63	2	3T		114.8207	2	8C SERIES MECHANICS
			49.21	174.63	2	4				
			49.21	174.63	2	3T		114.8207.4A	2	8C SERIES MECHANICS 4 NIPPLES
			49.21	174.63	2	4				
			49.21	174.63	2	3T		114.8206	2	8C SERIES MECHANICS COUNTERSUNK
			49.21	174.63	2	3D				
			50.00	115.00	4	3T		904001	2	ISUZU
			56.00	140.00	4	3T		904002	1	ISUZU
			60.00	104.00	4	4		904003	1	FURUKAWA
			60.00	159.00	4	3		904004		ISUZU
			61.98	125.22	4	4		404001	2	J170 TWIN DISC (LESS BOLTS)
			71.44	123.83	4	3T		114.8514	2	8.5C SERIES MECHANICS
			71.44	123.83	4	4		114.8516	2	8.5C SERIES MECHANICS
			71.44	123.83	4	4		114.8516LFL	NON	8.5C SERIES - LUBE FOR LIFE
			71.44	123.83	2	3T		114.8508		8.5C SERIES MECHANICS
			71.44	123.83	2	4				
			71.44	168.30	4	3T		114.9014	2	9C SERIES MECHANICS
			71.44	168.30	4	3D		114.9015	2	9C SERIES MECHANICS
			71.44	168.30	4	4		114.9016	2	9C SERIES MECHANICS
			71.44	168.30	4	4		114.9016LFL	NON	9C SERIES - LUBE FOR LIFE
			71.44	168.30	2	3T		114.9017	2	9C SERIES MECHANICS WING- BLOCK
			71.44	168.30	2	4				
			71.44	168.30	2	3T		114.9026	2	9C SERIES MECHANICS
			71.44	168.30	2	3D				
			71.44	168.30	4	4		114.9500LFL	NON	J310 TWIN DISC SERIES - SERVICE FREE 9.5C 0.250" LONGER THAN 9C
			88.90	172.72	2	4		114.10033	2	J490 TWIN DISC TO 10C MECHANICS .625" BOLTS
			92.07	165.10	2	4				
			88.90	172.72	4	4		114.11002.X	2	J600 TWIN DISC LESS BOLTS 15C.73.73405 KOMATSU/11C MECHANICS
			92.07	165.10	4	4		114.10011.X	2	10C MECHANICS LESS BOLTS 10C.73.27106J

Universal Joint Catalogue

DIA (C)	INT (W1)	EXT (W2)	Wing Type		Caps			Part #	Lube Type	Notes
			(D2)	(D3)	Q	T	F			
			92.07	165.10	4	4		114.10011LFL.X	NON	10C MECHANICS LFL LESS BOLTS 10C.73.27106J
			92.20	241.30	4	3D		114.12000	2	12C MECHANICS LESS .500" BOLTS
			92.20	241.30	4	4		114.12002LFL.X	NON	KOMATSU L.F.L LESS BOLTS 12C.73.76957
			99.97	199.95	4	4		114.15002.X	2	15C/J800 TWIN DISC LESS BOLTS 15C.73.73405
			99.97	199.95	4	4		114.15002LFL.X	2	15C/J800 T/DISC LFL LESS BOLTS 15C.73.73405
			99.97	199.95	4	4		114.15003	NON	15C MECHANICS LESS 15C.73.76818
48.00		126.00			4	1	48	U765.1A	3	MERCEDES LUBE TRHU 1 CAP
48.00		126.00			4	1	48	U765.2A	3	MERCEDES LUBE TRHU 2 CAP
48.00		126.00			4	1	48	U765.4A	3	MERCEDES LUBE THRU 4 CAP
48.00		135.40			4	1	48	K5A793LFL	NON	IVECO/KLEIN SERVICE FREE
57.00		152.00			4	1	57	U763.1A	3	GWB 587.42/687.55/2055 COMPACT
57.00		152.00			4	1	57	U763.2A	3	GWB 587.42/687.55/2055SERIES LUBE THRU 2 CAPS
57.00		152.00			2	1	57	K5A768	1	GWB 587.42(687.55)/SCANIA P500 COMBO
57.00		164.00			2					
83.00		231.40			4	1	83	K5A826	1	GWB 587.60 SERIES
110.00		251.50			4	1	11	K5A818	1	VOITH 3T315.8 SERIES
83.00	129.00				4	7	83	K5A714	1/3	GWB 390.60 SERIES
110.00	160.00				4	7	11	K5A716	1/3	GWB 390.70 SERIES
110.00	176.00				4	7	11	K5A711	1/3	GWB 292.65/392.65 SERIES
30.00		83.00			4	1	30	802006CL	1	ELBE 110
30.00		83.00			4	1	30	802006.2A	3 x2	ELBE 110
30.20		81.80			4	1	30.	802038.4A	3 x4	GWB 687.20/2020
34.90		106.40			4	1	34.	K5A730.4A	3 x2	GWB 687.30/2030
35.00		96.80			4	1	35	U743.4A	3 x4	GWB 587.10

Universal Joint Catalogue

DIA (C)	INT (W1)	EXT (W2)	Wing Type		Caps			Part #	Lube Type	Notes
			(D2)	(D3)	Q	T	F			
42.00		119.40			4	1	42	802054.4A	3	GWB 687.35/2035
52.00		147.20			4	1	52	802029.4A	3	GWB 687.45/2045
65.00		172.00			4	1	65	K5A643.4A	3 x4	GWB 587.48/687.65/2065 LUBE THRU 4 CAPS
72.00		185.00			4	1	72	K5A625.4A	3 x4	GWB 587.50
74.00		176.00			4	1	74	K5A789.1A	3	VOITH M225.8
83.00		220.00			4	1	83	U3250.4A	3 x4	VOITH S250
95.00		255.70			4	1	95	U3285.4A	3 X4	VOITH 285.9
110.00		275.00			4	7	11	U3315.4A	3 X4	VOITH 315.9
			36.52	69.85	4	3T		114.3103	2	3C MECHANICS DELTA WING
			42.85	114.30	2	4		114.6164	2	6C/7C MECHANICS COMBO
			49.21	117.60	2	3	4			
			49.21	117.60	4	4D		114.7273	2	7C 4X LUBE IN CROSS
95.00	139.00				4	7	95	K5A715.4A	3 X4	GWB 390.65
95.00	160.00				4	7	95	5.372X.4A	3 X4	GWB 292.60
110.00	176.00				4	7	11	K5A711.4A	3 x4	GWB 292.65
120.00	176.00				4	7	12	K5A717.4A	3	GWB 390.75
24.00		63.31			4	1	24	K5A532.1A	3	ALFA U-JOINT
30.00		83.00			4	1	30	802006	1	ELBE 110 SERIES
30.20		81.80			4	1	30.	802038.1A	3	GWB 687.20/2020
38.00		106.00			4	1	38	802022.1A	3	ELBE 113
40.00		104.50			4	1	40	K5A823	4	DJ OFFSET GWB 569.32 STEER AXLE
40.00		104.50			4	1	40	K5A823LFL	NON	DJ OFFSET GWB 569.32 STEER AXLE
42.00		128.00			4	1	42	K5A575	1	NISSAN
47.60		135.00			2	1	47.	K5A814		GWB 687.40 COMBO MECH (RENAULT)
			68.00	111.00	2	4	8			

Universal Joint Catalogue

DIA (C)	INT (W1)	EXT (W2)	Wing Type		Caps			Part #	Lube Type	Notes
			(D2)	(D3)	Q	T	F			
47.63		135.17			4	1	47.	802043.4A	3 x4	GWB 687.40/2040 SERIES
49.20		154.95			4	1	49.	K5A779	1	GWB 687.50/2050
52.00		133.00			4	1	52	U756.4A	3	GWB 587.30
57.00		172.00			4	1	57	K5A833	1	IVECO/KLEIN 680 SERIES
74.00		217.00			4	1	74	K5A708.4A	3 X4	GWB 587.55 LUBE THRU 4 CAPS
			33.34	59.53	2 2	3T 3D		114.2185LFL	NON	2C LWT/LWD LFL
			42.85	88.90	2 2	3D 4D		114.5139	2	5C HWD/LWD SIDE LUBE
			70.00	168.00	4	4		RUJ91110	2	MECH TYPE HWD WITH BOLTS
27.38	54.00				4	2	27.	RUJ2038.1A	3	21R SERIES
95.00	190.00				4	7	95	K5A628.4A	3 x4	GWB 190.65
120.00	196.00				4	7	12	K5A718	1	GWB 392.70
130.00	196.00				4	7	13	K5A719		GWB 390.80
130.00	216.00				4	7	13	K5A790		GWB 392.75
154.00	250.00				4	7	15	K5A820		GWB 392.80
49.25		154.93					49.	K5A779		GWB 687.50/2050 COMPACT
65.00		172.00			4	1	65	K5A643.1A	3	GWB 587.48/687.65/2065 COMPACT LUBE THRU ONE CAP
72.00		185.00			4	1	72	K5A625.5A	1, 3 x4	GWB 587.50 WITH 5 NIPPLES
26.99		81.76			2	1	26.	K5A530	2	1310 SERIES SPICER TO 21R SERIES MECHANICS
27.38	54.00				2	2				
53.00		135.00			4	1	53	U761	1	ELBE 117 / MERCEDES BENZ
52.35		208.28	71.40	168.50	2 2	1 6	52.	CP25RPLS	NON	MERITOR 25RPL SERIES SERVICE FREE
57.00		144.00			4	1	57	U813	1	587.36 SERIES GWB
15.00		38.00			4	1	15	902077	NON	STEERING JOINT NON LUBE
15.00		40.00			4	1	15	902032	NON	STEERING JOINT NON LUBE

Universal Joint Catalogue

DIA (C)	INT (W1)	EXT (W2)	Wing Type		Caps			Part #	Lube Type	Notes
			(D2)	(D3)	Q	T	F			
15.00		41.00			4	1	15	902033	1	DIN U.JOINT
15.00		38.00			4	1	15	902041	NON	STAKED STEERING U.JOINT
15.00		40.00			4	1	15	902042	NON	STAKED STEERING U.JOINT
16.00	24.50				4	2	16	902035	NON	KAWASAKI SERVICE FREE
16.00		38.00			4	1	16	902036	NON	STEERING JOINT NON LUBE
16.00		38.50			4	1	16	902040	NON	STAKED STEERING U.JOINT
16.00	27.00				4	2	16	902044	3	KAWASAKI - USE OLD CLIPS
17.00		41.00			4	1	17	802074	3	DIN U.JOINT
19.00		44.00			4	1	19	902037	2	STEERING LUBE TYPE
19.00		44.40			4	1	19	901023	NON	STAKED BMW/HONDA MOTORCYCLE
20.00	29.00				4	2	20	901016		KAWASAKI USE OLD CLIPS
20.00	37.00				4	2	20	901017	3	YAMAHA/KUBOTA
20.00	38.00				4	2	20	901018	NON	MOWER U.JOINT SERVICE FREE
20.00		50.00			4	1	20	902038	1	MOWER
20.00		58.00			4	1	20	K5A661	1	HINO
22.00	37.50				4	2	22	901019	NON	TCM SERVICE FREE
22.00		55.64			4	1	22	902039	1	
22.00	35.10				4	2	22	901020	NON	KAWASAKI MOTORCYCLE
22.00	39.60				4	2	22	RUJ1506	3	FORKLIFT
22.50	37.50				4	2	22.	RUJ1503	3	DIHATSU
15.00		40.20			4	1	15	902058	NON	WILLI ELBE 058
15.00		40.20			4	1	15	K5A706	1	GWB 473.10
23.00	44.60				4	2	23	901021	NON	SUBARU SERVICE FREE

Universal Joint Catalogue

DIA (C)	INT (W1)	EXT (W2)	Wing Type		Caps			Part #	Lube Type	Notes
			(D2)	(D3)	Q	T	F			
23.80		62.60			4	1	23.	K5A809	NON	B300/403 ELBE AXLE JOINT
23.82		62.40			4	1	23.	U173CL	1	OTHER OPTIONS AVAILABLE
23.82		62.40			4	1	23.	U173	NON	DIN SERVICE FREE
24.00		63.50			4	1	24	902043	NON	STAKED
24.00		88.00			4	1	24	902047	NON	STAKED
24.00	34.34				4	2	24	802075	3	OPEL
24.00	40.00				4	2	24	802076		TAURUS
24.05	48.26				4	2	24.	902048		STAKED REPLACEMENT
24.06		71.40			4	1	24.	902049	NON	STAKED MAZDA
24.90		72.10			4	1	24.	902050	1	
25.00		77.60			4	1	25	902052	NON	NISSAN SERVICE FREE
25.40	38.83				4	2	25.	902053	3	OPEL
26.00		68.00			4	1	26	902054	3	MITSUBISHI
26.00		69.70			4	1	26	U741.1A	3	287.00/687.10
26.00		72.00			4	1	26	902055	1	
26.01	47.70				4	2	26.	801003	1	MERCEDES
26.99		60.30			4	1	26.	902056	3	CITROEN
26.99		81.76			2	1	26.	5.632X	NON	1310/9" SOLID CROSS
28.58		81.76			2	1	2			
26.99		92.08			2	1	26.	5.633X	NON	1330/9" SOLID CROSS
28.58		92.08			2	1	2			
27.00		74.00			4	1	27	902057	NON	STAKED
27.00		74.50			4	1	27	K5A727LFL	NON	GWB 687.15/2015 SERVICE FREE
27.00		88.00			4	1	27	902061	NON	STAKED MERCEDES SPRINTER
27.00		85.00			4	1	27	802094	NON	HOLE IN CROSS SERVICE FREE

Universal Joint Catalogue

DIA (C)	INT (W1)	EXT (W2)	Wing Type		Caps			Part #	Lube Type	Notes
			(D2)	(D3)	Q	T	F			
27.00		86.00			4	1	27	802095	NON	DOUBLE JOINT OFFSET
27.00		62.00			4	1	27	K5A843	NON	GREAT WALL FRONT
27.00		69.80			4	1	27	K5A767	NON	VW SYNCHRO
28.00	51.60				4	2	28	K5A850	3	KIA SORENTO
28.00	53.00				4	2	28	U728H	NON	MERCEDES HOLE IN CROSS
28.00	53.00				4	2	28	U728.1	2	MERCEDES
28.50		70.70			4	1	28.	802077	1	ELBE 408
28.58		75.00			4	1	28.	902062	NON	FORD NON LUBE
28.58	82.55		42.85	88.90	2	1	28.	RUJ4012	2	4R/5C MITSUBISHI FORKLIFT
28.60		74.60			4	1	28.	K5A774	NON	FIAT 130
29.00	51.90				4	2	29	902063	NON	VAUXHALL SERVICE FREE
29.00		75.40			4	1	29	902064		VAUXHALL
29.00		76.60			4	1	29	K5A842	2	GREAT WALL & TUNLAND REAR PSA
30.00		82.40			4	12	30	802078	1	CENTRE LUBE
30.00		88.00			4	1	30	802080	1	
30.00		96.00			4	1	30	802081	NON	DIN SERVICE FREE
30.00		96.00			4	1	30	K5A815		GWB 369.10 AXLE OFFSET
30.00	46.00				4	2	30	K5A795	NON	
30.00	60.00				4	2	30	RUJ3012	1	AGI
30.16		92.08			2	1	30.	K5A819	NON	SPICER 1350/1410 COMBO
30.16		106.30			2	1	2			
30.20		86.70			4	1	30.	902066	1	
30.20		90.00			4	1	30.	902067	1	LAMBORGHINI
30.20		95.35			2	1	30.	K5A735	1	T60 WIDE ANGLE
30.20		101.40			2	1	2			

Universal Joint Catalogue

DIA (C)	INT (W1)	EXT (W2)	Wing Type		Caps			Part #	Lube Type	Notes
			(D2)	(D3)	Q	T	F			
30.20		82.00			4	1	30.	K5A816	NON	B320 WHEEL JOINT
31.00		88.20			4	1	31	902068	NON	STAKED MERCEDES
31.00		110.00			4	1	31	902069	1	MERCEDES
31.02	44.10				4	2	31.	902071	NON	FORD SERVICE FREE
32.00		106.30			4	1	32	902072	2	FIAT
30.16		92.08			2	1	30.	901078	3	SPICER 1350/LANDCRUISER COMBO
32.00	63.85				2	2	7			
33.00		103.00			4	1	33	K5A841	1	ISUZU
34.00	51.00				4	2	34	902073	1	DIN CENTRE LUBE
34.00		105.60			4	1	34	802083	4	DOUBLE JOINT LUBE THRU SIDE OF CAP
34.93		106.30			2	1	34.	K5A765	1	T80 PTO WIDE ANGLE
34.93		113.80								
27.00		85.50			2	1	27	K5A734	1	T40 WIDE ANGLE
27.00		91.20			2	1	2			
34.93	74.17				4	2	34.	K5A808	NON	1485 AXLE JOINT
35.00		96.50			4	1	35	802084	4	DOUBLE JOINT OFFSET
35.00		110.70			4	1	35	802085	NON	DIN U.JOINT SERVICE FREE
35.00	148.40		50.00	156.40	2	2	35	RUJ7003	3	KOMATSU HOLE IN CROSS
					2	4	12			
38.00		106.00	42.85	114.30	2	1	38	802086	3	ELBE 113/6C COMBO
					2	4	8			
38.00		106.00	42.85	88.90	2	1	38	802087	3	ELBE 113/5C COMBO
					2	4	8			
38.00		104.50			4	1	38	K5A781	1	UNIMOG
38.00		119.00			4	1	38	K5A638	NON	GWB 369.30 OFFSET
44.00		131.00			4	1	44	K5A784	1	MITSUBISHI
44.03	120.00				4	2	44.	K5A832	2	FOTON
45.00		152.00			4	1	45	802089	4	ELBE 118 LUBE THRU SIDE OF CAP
45.50		120.00			4	1	45.	802090	NON	DOUBLE JOINT OFFSET

Universal Joint Catalogue

DIA (C)	INT (W1)	EXT (W2)	Wing Type		Caps			Part #	Lube Type	Notes
			(D2)	(D3)	Q	T	F			
45.50		114.10			4	1	45.	802091	NON	WHEEL JOINT OFFSET
47.00		140.00			4	1	47	K5A827	2	CHINESE BUS/TRUCK
48.00		135.40			4	1	48	K5A793	1	IVECO/KLEIN
50.00		134.00			4	1	50	802093		DOUBLE JOINT OFFSET
57.00		172.00			4	1	57	K5A833LFL	NON	IVECO/KLEIN 680 SERVICE FREE
63.53		196.14			4	1	63.	CP950N	1	950N SERIES
65.00		172.00			2	1	65	801004		587.48/P60 SCANIA COMBO
65.00		190.00			2	1	2			
			82.00	198.00	4	4		114.11500.X	2	11.5C MECHANICS LESS BOLTS
			92.00	227.00	4	4		114.12500	2	TEREX MECHANICS
			92.07	165.10	4	4		114.10011M	2	10C MECHANICS METRIC M16X2 BOLTS
			88.90	172.72	4	4		114.10500	2	10.5C/J490 TWIN DISC LESS BOLTS 10C.73.27106J
			134.88	269.50	4	4		114.14000.X	2	14C MECHANICS LESS BOLTS 14C.73.76000
			107.00	252.00	4	4		114.14500.X	2	14.5C MECHANICS LESS BOLTS 14.5C.73.2215105
			107.00	252.00	4	4		114.14500LFL.X	2	14.5C MECHANICS LFL LESS BOLTS 14C.73.76000
			99.97	199.95	4	4		114.15500LFL.X	2	15.5C MECHANICS LESS BOLTS 15C.73.73405
			117.60	277.10	4	4		114.20000LFL.X	2	20C MECHANICS LFL LESS BOLTS 20C.73.2430140
25.40	59.44		33.34	59.53	2	2	25.	114.2032		2R TO 2C TORQUE TUBE CHEV 1940 -54
			36.52	69.85	4	3T		114.3100	2	3C MECHANICS
			42.85	88.90	4	4		114.5177.1A	2	5C MECHANICS LUBE TRHU CAP
			42.85	114.30	2	4		114.6163B	2	6C HWD/7C HWD COMBO
			49.21	117.60	2	4	4			
34.93		126.20			4	1	34.	5.155X	2	1550/SPL70
34.93		126.20			4	1	34.	5.155X.1A	3	SPICER 1550 LUBE THRU 1 CAP
30.16		106.35			4	1	30.	5.160X	2	SPICER 1410 SEREIS GENUINE

Universal Joint Catalogue

DIA (C)	INT (W1)	EXT (W2)	Wing Type		Caps			Part #	Lube Type	Notes
			(D2)	(D3)	Q	T	F			
30.16		92.08			4	1	30.	5.178X	2	SPICER 1350 SERIES - OTHER LUBE OPTIONS AVAILABLE (SPL30)
30.16		92.08			4	1	30.	5.178XP	NON	SPICER 1350 SERIES SOLID CROSS
30.16	61.09				4	2	30.	5.298X	NON	1350 SERIES JEEP AXLE
26.99		61.93			4	1	26.	5.443X	2	SPICER 1210 SERIES
26.99		92.08			4	1	26.	5.790X	NON	SPICER 1330 SOLID CROSS GENUINE
			49.21	117.60	4	4D		114.7126CL	1	7C MECHANICS CENTRE LUBE
			49.21	174.63	4	T		114.8205DW	2	8C MECHANICS DELTA WING LIMITED STOCKS AVAILABLE
			71.44	123.83	2	4D		114.8518	2	8.5C MECHANICS HWD LWD
			71.44	123.83	2	3D	4			
			71.44	123.83	4	3D		114.8520	2	8.5C MECHANICS LWD
			71.44	168.30	4	4D		114.9014LFL	2	9C MECHANICS DELTA WING SERVICE FREE
			71.44	168.30	4	4D		114.9016M	2	9C MECHANICS METRIC BOLTS
			71.44	168.30	4	4D		114.9500	2	J310 TWIN DISC HWD JOINT LENGTH 0.250" LONGER THAN STD 9C
68.00	123.00				4	1	68.	801002	1	ACTROSS. 117.00MM BETWEEN CIRCLIPS
38.00		148.00			4	1	38	802009	2	SCANIA T51 4.5 DEGREE BRACKET
48.00		161.00			4	1	48	802016	2	SCANIA P40 T61 4.5 DEGREE BLOCK
57.00		164.00			4	1	57	802019	1	SCANIA P500 4.5 DEGREE BRACKET
38.00		106.00			4	1	38	802022	1	ELBE CENTRE LUBE - OTHER OPTIONS AVAILABLE
32.00		95.60			4	1	32	802031		SCHINDLER TRACTOR
65.00		190.00			4	1	65	802036	1	SCANIA P60 SERIES
30.20		81.80			4	1	30.	802038	1	GWB 687.20/2020 SERIES - OTHER OPTIONS AVAILABLE
35.00		97.00			4	1	35	802040	1	ELBE 112 CENTRE LUBE
35.00		97.00			4	1	35	802040R	1	ELBE 112 PREMIUM
27.00		70.00			4	1	27	802044.011	4	ELBE 408 AXLE LUBE THRU SIDE OF CAP

Universal Joint Catalogue

DIA (C)	INT (W1)	EXT (W2)	Wing Type		Caps			Part #	Lube Type	Notes
			(D2)	(D3)	Q	T	F			
42.00		119.40			4	1	42	802054	1	GWB 687.35/2035
42.00		106.00			4	1	42	802057	1	MERCEDES ATEGO
47.60		134.80	68.00	111.00	2	1	47.	802071	2	RENAULT COMBO
					2	4D	8			
100.00		214.00			4	1	10	802072	3	285 INDUSTRIAL
44.00		126.00			4	1	44	902030	1	HINO
39.00		118.00			4	1	39	902031	2	CHINESE BUS
60.00		165.00			4	8	60	903010	2	ISUZU
26.99		81.76			4	1	26.	K5.13XR	2	1310/SPL22
26.99		81.76			4	1	26.	K5A530HD	2	SPICER 1310 INTERNAL SEALS & THRUST PADS
30.16		106.35			4	1	30.	K5A536	1	1410 SERIES AGI/PTO
30.22		106.35			4	1	30.	K5A536.A700	1	1410 SERIES AGI WITH 30.22 CAP SUIT BARE CO. TRI TUBE SHAFT
17.00		42.00			4	1	17	K5A603	1	GWB 173.10
42.00		104.50			4	1	42	K5A622	1	GWB 587.15
42.00		104.50			4	1	42	K5A622.4A	3	GWB 587.15 LUBE THRU 4 CAPS
65.00		172.00			4	1	65	K5A643LFL	NON	GWB 587.48 SERVICE FREE
34.93		92.20			4	1	34.	K5A729.1A	3	GWB 687.25/2025 SERIES
74.00		176.00			4	1	74	K5A789	1	VOITH MT225.8
30.16		106.35			4	1	30.	K5GB10R	2	1410/SPL36
30.16		106.35			4	1	30.	K5GB10R.1A	3	SPICER 1410 LUBE THRU CAP
30.16		106.35			4	1	30.	K5GB10R.4A	3	SPICER 1410 LUBE THRU 4 CAPS
30.16		106.35			4	1	30.	K5GB10RLFL	NON	SPICER 1410 SERVICE FREE
26.99		74.61			4	1	26.	K5L4R	2	SPICER 1300 SERIES
23.80		61.20			4	1	23.	K5LGB80R	2	SPICER 1140 SERIES - OTHER OPTIONS AVAILABLE

Universal Joint Catalogue

DIA (C)	INT (W1)	EXT (W2)	Wing Type		Caps			Part #	Lube Type	Notes
			(D2)	(D3)	Q	T	F			
28.00	55.96				4	2	28	RUJ2028	2	NISSAN
29.00	53.10				4	2	29	RUJ2033.1A	3	ISUZU LUBE THRU CAP
25.40	59.44				2	2	25.	RUJ2034F	2	2R - FORD 9" (WILL NOT SUIT 25R)
28.58		81.76			2	1	7			
27.38	54.00				4	2	27.	RUJ2038	2	21R SERIES - OTHER OPTIONS AVAILABLE
27.38	54.00				4	2	27.	RUJ2038R	NON	21R SERIES WITH THRUST PADS
32.00	64.00				4	2	32	RUJ2041R.1A	3	TOYOTA WITH THRUST PADS - LUBE THRU 1 CAP
29.00	52.00				4	2	29	RUJ2100.1AR	3	TOYOTA WITH THRUST PADS - LUBE THRU 1 CAP
28.58	59.44				4	2	28.	RUJ2503	3	25R SERIES LUBE THRU CAP
55.00		164.00			4	1	55	SPL170XLFL	NON	SPICER SPL170 SERVICE FREE
60.00		163.00			4	1	60	SPL250XLFL	NON	SPICER SPL250 SERVICE FREE
74.00		195.00			4	1	74	U3225	1	KEMPF 104/106 SERIES
130.00		301.60			4	1	13	U3350		VOITH
145.00		344.50			4	1	14	U3390		VOITH
30.00		81.70			4	1	30	U742	1	GWB 287.10 SERIES
35.00		96.80			4	1	35	U743	1	GWB 587.10
38.00		110.00			4	1	38	U752	2	MERCEDES
52.00		133.00			4	1	52	U756	1	GWB 587.30
57.00		152.00			4	1	57	U763.4A	3	GWB 587.42/687.55/2055 LUBE THRU 4 CAPS
57.00		152.00			4	1	57	U763LFL	NON	GWB 587.42/687.55/2055 SERVICE FREE
48.00		126.00			4	1	48	U765	1	MERCEDES - OTHER LUBE OPTIONS AVAILABLE
48.00		116.50			4	1	48	U767LFL	NON	GWB 587.20 SERVICE FREE
49.21		194.00			2	2	49.	114.901810	2	SPICER 1810 HR TO 9C MECHANICS
			71.44	168.30	2	4	8			
			92.20	241.30	4	4		114.12002.X	2	12C MECHANICS LESS BOLTS 12C.73.76957

Universal Joint Catalogue

DIA (C)	INT (W1)	EXT (W2)	Wing Type		Caps			Part #	Lube Type	Notes
			(D2)	(D3)	Q	T	F			
45.00		126.00			4	1	45.	802073	3	SUIT SWC150 SHAFT
28.00		71.50			4	1	28.	802005	1	
30.00		92.00			4	1	30.	802808	Non	STAKED TRANSIT
49.20		138.71			4	1	49.	SPL140X	1	
27.00		72.00			4	1	27.	802804	NON	STAKED TRANSIT
27.00		79.00			4	1	27.	802805	NON	STAKED
27.00		81.80			4	1	27.	802806	NON	STAKED FORD
30.00		106.20			4	1	30.	802809	NON	STAKED IVECO
31.00		88.20			4	1	31.	902068.1A	3	STAKED MERCEDES LUBE IN 1 CAP
24.90		72.10			4	1	24.	902079	1	
22.06		61.70			4	1	22.	902078	Non	STAKED MAZDA
34.93		106.38			4	1	34.	K5A730	2	
34.93	94.03				4	2	34.	5.1557X	2	DODGE RAM WHEEL JOINT



DRIVELINE
 SERVICES AUSTRALIA