

SKF Power Transmission products



® SKF is a registered trademark of the SKF Group.

Hytrel is a registered trademark of DuPont. Dacromet and Dacrotized are registered trademarks of Metal Coatings International Inc. Corporation.

© SKF Group 2011

The contents of this publication are the copyright of the publisher and may not be reproduced (even extracts) unless prior written permission is granted. Every care has been taken to ensure the accuracy of the information contained in this publication but no liability can be accepted for any loss or damage whether direct, indirect or consequential arising out of the use of the information contained herein.

PUB PT/P1 11015 EN · April 2011

This publication supersedes publication 6219.

Printed in Germany on environmentally friendly paper.

Contents



1 SKF Belts 9



2 SKF Chains 69



3 SKF Couplings 95



4 SKF Bushings and Hubs..... 127



5 SKF Sprockets 137



6 SKF Pulleys..... 215



7 Smart tools..... 297



The SKF brand now stands for more than ever before, and means more to you as a valued customer.

While SKF maintains its leadership as a high-quality bearing manufacturer throughout the world, new dimensions in technical advances, product support and services have evolved SKF into a truly solutions-oriented supplier, creating greater value for customers.

These solutions enable customers to improve productivity, not only with breakthrough application-specific products, but also through leading-edge design simulation tools and consultancy services, plant asset efficiency maintenance programmes, and the industry's most advanced supply management techniques.

The SKF brand still stands for the very best in rolling bearings, but it now stands for much more.

SKF – the knowledge engineering company

Foreword

Power transmission products play an important role in overall bearing performance and are the vital link between moving parts in equipment. By creating its own range of power transmission products, SKF can offer products that are well-matched and give engineers a wide design choice according to performance and cost considerations.

Bringing power transmission products under a single brand offers significant user benefits apart from the confidence that comes from using a well-known brand. SKF can provide a convenient single supply source for products and services with a large number of items in stock. This, in turn, offers the chance to simplify logistics to end users and reduce administrative work.

As bearings and other power transmission components work together in products used in many industries, many bearing problems and failures can be identified through the knowledge of power transmission. Examples of those industries are food and beverage, oil and gas, pulp and paper, textile, metalworking, packaging, mining, mineral processing and cement, agriculture and material handling. Combining an understanding of bearing systems with power transmission gives SKF the opportunity to enhance the support available to users.

All SKF Power Transmission products are identified by an SKF specific designation prefix. Apart from that, the designation follows international standards for easy recognition and cross-referencing. The SKF Power Transmission range covers most common types of products, which can be divided into six main categories - belts, pulleys, chains, sprockets, couplings as well as bushings and hubs.

About the data in this catalogue

The data in this catalogue relates to SKF's state-of-the-art technology as of mid-2010. This data may differ from that shown in earlier catalogues because of revised methods of calculation, redesign or technological developments.

SKF reserves the right to make continuing improvements to SKF products with respect to materials, design and manufacturing methods, as well as changes necessitated by technological developments.

Other Power Transmission catalogues

Product information is also available via the SKF Power Transmission products website at www.skfptp.com. The website not only provides product information, but also online calculation tools, drawings, and search and selection functions.

The main printed SKF Power Transmission catalogues are:

- SKF Transmission chain catalogue
- SKF Couplings catalogue
- SKF FX Keyless Bushings catalogue
- SKF Xtra Power Belts catalogue

For more information about SKF Power Transmission products, contact your local SKF representative or SKF Authorized Distributor.

SKF – the knowledge engineering company

From the company that invented the self-aligning ball bearing more than 100 years ago, SKF has evolved into a knowledge engineering company that is able to draw on five technology platforms to create unique solutions for its customers. These platforms include bearings, bearing units and seals, of course, but extend to other areas including: lubricants and lubrication systems, critical for long bearing life in many applications; mechatronics that combine mechanical and electronics knowledge into systems for more effective linear motion and sensorized solutions; and a full range of services, from design and logistics support to condition monitoring and reliability systems.

Though the scope has broadened, SKF continues to maintain the world's leadership in the design, manufacture and marketing of rolling bearings, as well as complementary products such as radial seals. SKF also holds an increasingly important position in the market for linear motion products, high-precision aerospace bearings, machine tool spindles and plant maintenance services.

The SKF Group is globally certified to ISO 14001, the international standard for environmental management, as well as OHSAS 18001, the health and safety management standard. Individual divisions have been approved for quality certification in accordance with ISO 9001 and other customer specific requirements.

With over 100 manufacturing sites worldwide and sales companies in 70 countries, SKF is a truly international corporation. In addition, our distributors and dealers in some 15 000 locations around the world, an e-business marketplace and a global distribution system put SKF close to customers for the supply of both products and services. In essence, SKF solutions are available wherever and whenever customers need them. Overall, the SKF brand and the corporation are stronger than ever. As the knowledge engineering company, we stand ready to serve you with world-class product competencies, intellectual resources, and the vision to help you succeed.

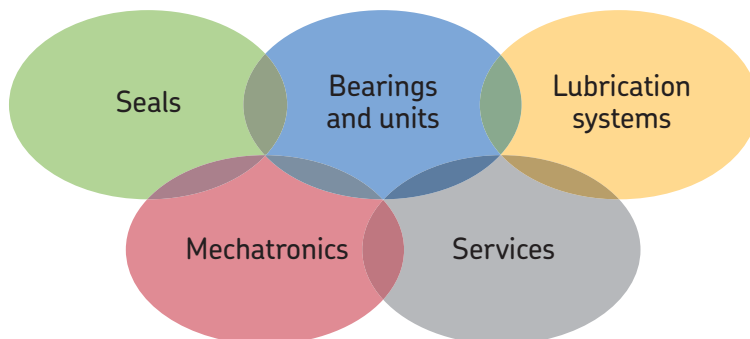


© Airbus – photo: e*rm company, H. Goussé

Evolving by-wire technology

SKF has a unique expertise in the fast-growing by-wire technology, from fly-by-wire, to drive-by-wire, to work-by-wire. SKF pioneered practical fly-by-wire technology and is a close working partner with all aerospace industry leaders. As an example, virtually all aircraft of the Airbus design use SKF by-wire systems for cockpit flight control.

SKF is also a leader in automotive by-wire technology, and has partnered with automotive engineers to develop two concept cars, which employ SKF mechatronics for steering and braking. Further by-wire development has led SKF to produce an all-electric forklift truck, which uses mechatronics rather than hydraulics for all controls.





Harnessing wind power

The growing industry of wind-generated electric power provides a source of clean, green electricity. SKF is working closely with global industry leaders to develop efficient and trouble-free turbines, providing a wide range of large, highly specialized bearings and condition monitoring systems to extend equipment life of wind farms located in even the most remote and inhospitable environments.



Working in extreme environments

In frigid winters, especially in northern countries, extreme sub-zero temperatures can cause bearings in railway axleboxes to seize due to lubrication starvation. SKF created a new family of synthetic lubricants formulated to retain their lubrication viscosity even at these extreme temperatures. SKF knowledge enables manufacturers and end user customers to overcome the performance issues resulting from extreme temperatures, whether hot or cold. For example, SKF products are at work in diverse environments such as baking ovens and instant freezing in food processing plants.



Developing a cleaner cleaner

The electric motor and its bearings are the heart of many household appliances. SKF works closely with appliance manufacturers to improve their products' performance, cut costs, reduce weight, and reduce energy consumption. A recent example of this cooperation is a new generation of vacuum cleaners with substantially more suction. SKF knowledge in the area of small bearing technology is also applied to manufacturers of power tools and office equipment.



Maintaining a 350 km/h R&D lab

In addition to SKF's renowned research and development facilities in Europe and the United States, Formula One car racing provides a unique environment for SKF to push the limits of bearing technology. For over 60 years, SKF products, engineering and knowledge have helped make Scuderia Ferrari a formidable force in F1 racing. (The average racing Ferrari utilizes more than 150 SKF components.) Lessons learned here are applied to the products we provide to automakers and the aftermarket worldwide.



Delivering Asset Efficiency Optimization

Through SKF Reliability Systems, SKF provides a comprehensive range of asset efficiency products and services, from condition monitoring hardware and software to maintenance strategies, engineering assistance and machine reliability programmes. To optimize efficiency and boost productivity, some industrial facilities opt for an Integrated Maintenance Solution, in which SKF delivers all services under one fixed-fee, performance-based contract.



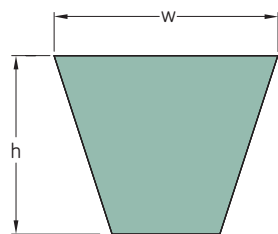
Planning for sustainable growth

By their very nature, bearings make a positive contribution to the natural environment, enabling machinery to operate more efficiently, consume less power, and require less lubrication. By raising the performance bar for our own products, SKF is enabling a new generation of high-efficiency products and equipment. With an eye to the future and the world we will leave to our children, the SKF Group policy on environment, health and safety, as well as the manufacturing techniques, are planned and implemented to help protect and preserve the earth's limited natural resources. We remain committed to sustainable, environmentally responsible growth.



Belts

	SKF Wrapped Wedge Belts	10		SKF Double Classical (Hex) Belts . .	28
	SKF Wrapped Classical Belts	12		SKF Ribbed Belts	29
	SKF Wrapped Narrow Wedge Belts	17		SKF Classical Timing Belts	32
	SKF Cogged Raw Edge Wedge Belts	18		SKF Double-sided Classical Timing Belts	42
	SKF Cogged Raw Edge Classical Belts	20		SKF HiTD Belts	47
	SKF Cogged Raw Edge Narrow Wedge Belts	23		SKF Double-sided HiTD Belts	52
	Variable speed belts	24		Super torque timing belts	55
	SKF Banded Wedge Belts	25		Double-sided super torque timing belts	59
	SKF Banded Classical Belts	26		SKF Metric Timing Belts	61
	SKF Banded Narrow Wedge Belts .	27		SKF Double-sided Metric Timing Belts	64



Section	Dimensions			Designation	Section	Dimensions			Designation	Section	Dimensions			Designation	
	Pitch length	w	h			Pitch length	w	h			Pitch length	w	h		
-	mm			-	-	mm			-	mm			-		
SPZ	512	9,7	8	PHG SPZ512	SPZ	1 250	9,7	8	PHG SPZ1250	SPZ	2 360	9,7	8	PHG SPZ2360	
	560	9,7	8	PHG SPZ560		1 262	9,7	8	PHG SPZ1262		2 410	9,7	8	PHG SPZ2410	
	562	9,7	8	PHG SPZ562		1 270	9,7	8	PHG SPZ1270		2 500	9,7	8	PHG SPZ2500	
	587	9,7	8	PHG SPZ587		1 287	9,7	8	PHG SPZ1287		2 540	9,7	8	PHG SPZ2540	
	612	9,7	8	PHG SPZ612		1 312	9,7	8	PHG SPZ1312		2 580	9,7	8	PHG SPZ2580	
	630	9,7	8	PHG SPZ630		1 320	9,7	8	PHG SPZ1320		2 650	9,7	8	PHG SPZ2650	
	637	9,7	8	PHG SPZ637		1 337	9,7	8	PHG SPZ1337		2 690	9,7	8	PHG SPZ2690	
	662	9,7	8	PHG SPZ662		1 340	9,7	8	PHG SPZ1340		2 800	9,7	8	PHG SPZ2800	
	670	9,7	8	PHG SPZ670		1 347	9,7	8	PHG SPZ1347		2 840	9,7	8	PHG SPZ2840	
	687	9,7	8	PHG SPZ687		1 362	9,7	8	PHG SPZ1362		2 900	9,7	8	PHG SPZ2900	
	710	9,7	8	PHG SPZ710		1 387	9,7	8	PHG SPZ1387		3 000	9,7	8	PHG SPZ3000	
	722	9,7	8	PHG SPZ722		1 400	9,7	8	PHG SPZ1400		3 150	9,7	8	PHG SPZ3150	
	737	9,7	8	PHG SPZ737		1 412	9,7	8	PHG SPZ1412		3 170	9,7	8	PHG SPZ3170	
	750	9,7	8	PHG SPZ750		1 420	9,7	8	PHG SPZ1420		3 350	9,7	8	PHG SPZ3350	
	760	9,7	8	PHG SPZ760		1 437	9,7	8	PHG SPZ1437		3 550	9,7	8	PHG SPZ3550	
	762	9,7	8	PHG SPZ762		1 462	9,7	8	PHG SPZ1462		SPA	732	12,7	10	PHG SPA732
	772	9,7	8	PHG SPZ772		1 487	9,7	8	PHG SPZ1487			757	12,7	10	PHG SPA757
	787	9,7	8	PHG SPZ787		1 500	9,7	8	PHG SPZ1500			775	12,7	10	PHG SPA775
	800	9,7	8	PHG SPZ800		1 512	9,7	8	PHG SPZ1512			782	12,7	10	PHG SPA782
	812	9,7	8	PHG SPZ812		1 520	9,7	8	PHG SPZ1520			800	12,7	10	PHG SPA800
	825	9,7	8	PHG SPZ825		1 537	9,7	8	PHG SPZ1537			807	12,7	10	PHG SPA807
	837	9,7	8	PHG SPZ837		1 562	9,7	8	PHG SPZ1562			832	12,7	10	PHG SPA832
	850	9,7	8	PHG SPZ850		1 587	9,7	8	PHG SPZ1587			850	12,7	10	PHG SPA850
	862	9,7	8	PHG SPZ862		1 600	9,7	8	PHG SPZ1600			857	12,7	10	PHG SPA857
	875	9,7	8	PHG SPZ875		1 612	9,7	8	PHG SPZ1612			882	12,7	10	PHG SPA882
	887	9,7	8	PHG SPZ887		1 637	9,7	8	PHG SPZ1637		900	12,7	10	PHG SPA900	
	900	9,7	8	PHG SPZ900		1 650	9,7	8	PHG SPZ1650		907	12,7	10	PHG SPA907	
	912	9,7	8	PHG SPZ912		1 662	9,7	8	PHG SPZ1662		925	12,7	10	PHG SPA925	
	925	9,7	8	PHG SPZ925		1 687	9,7	8	PHG SPZ1687		932	12,7	10	PHG SPA932	
	937	9,7	8	PHG SPZ937		1 700	9,7	8	PHG SPZ1700		950	12,7	10	PHG SPA950	
950	9,7	8	PHG SPZ950	1 737	9,7	8	PHG SPZ1737	957	12,7	10	PHG SPA957				
962	9,7	8	PHG SPZ962	1 750	9,7	8	PHG SPZ1750	969	12,7	10	PHG SPA969				
987	9,7	8	PHG SPZ987	1 762	9,7	8	PHG SPZ1762	975	12,7	10	PHG SPA975				
1 000	9,7	8	PHG SPZ1000	1 787	9,7	8	PHG SPZ1787	982	12,7	10	PHG SPA982				
1 010	9,7	8	PHG SPZ1010	1 800	9,7	8	PHG SPZ1800	1 000	12,7	10	PHG SPA1000				
1 012	9,7	8	PHG SPZ1012	1 812	9,7	8	PHG SPZ1812	1 007	12,7	10	PHG SPA1007				
1 024	9,7	8	PHG SPZ1024	1 837	9,7	8	PHG SPZ1837	1 030	12,7	10	PHG SPA1030				
1 037	9,7	8	PHG SPZ1037	1 850	9,7	8	PHG SPZ1850	1 032	12,7	10	PHG SPA1032				
1 047	9,7	8	PHG SPZ1047	1 862	9,7	8	PHG SPZ1862	1 055	12,7	10	PHG SPA1055				
1 060	9,7	8	PHG SPZ1060	1 887	9,7	8	PHG SPZ1887	1 060	12,7	10	PHG SPA1060				
1 077	9,7	8	PHG SPZ1077	1 900	9,7	8	PHG SPZ1900	1 082	12,7	10	PHG SPA1082				
1 080	9,7	8	PHG SPZ1080	1 937	9,7	8	PHG SPZ1937	1 090	12,7	10	PHG SPA1090				
1 087	9,7	8	PHG SPZ1087	1 950	9,7	8	PHG SPZ1950	1 107	12,7	10	PHG SPA1107				
1 112	9,7	8	PHG SPZ1112	1 987	9,7	8	PHG SPZ1987	1 120	12,7	10	PHG SPA1120				
1 120	9,7	8	PHG SPZ1120	2 000	9,7	8	PHG SPZ2000	1 132	12,7	10	PHG SPA1132				
1 137	9,7	8	PHG SPZ1137	2 037	9,7	8	PHG SPZ2037	1 150	12,7	10	PHG SPA1150				
1 140	9,7	8	PHG SPZ1140	2 060	9,7	8	PHG SPZ2060	1 157	12,7	10	PHG SPA1157				
1 150	9,7	8	PHG SPZ1150	2 120	9,7	8	PHG SPZ2120	1 180	12,7	10	PHG SPA1180				
1 162	9,7	8	PHG SPZ1162	2 137	9,7	8	PHG SPZ2137	1 190	12,7	10	PHG SPA1190				
1 180	9,7	8	PHG SPZ1180	2 160	9,7	8	PHG SPZ2160	1 200	12,7	10	PHG SPA1200				
1 187	9,7	8	PHG SPZ1187	2 187	9,7	8	PHG SPZ2187	1 207	12,7	10	PHG SPA1207				
1 200	9,7	8	PHG SPZ1200	2 240	9,7	8	PHG SPZ2240	1 220	12,7	10	PHG SPA1220				
1 202	9,7	8	PHG SPZ1202	2 262	9,7	8	PHG SPZ2262	1 232	12,7	10	PHG SPA1232				
1 212	9,7	8	PHG SPZ1212	2 280	9,7	8	PHG SPZ2280	1 250	12,7	10	PHG SPA1250				
1 237	9,7	8	PHG SPZ1237	2 287	9,7	8	PHG SPZ2287	1 257	12,7	10	PHG SPA1257				

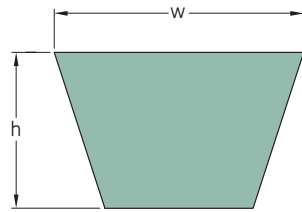
Non-standard lengths are also available.

SKF Wrapped Wedge Belts

SPA | SPB | SPC

Section	Dimensions			Designation	Section	Dimensions			Designation	Section	Dimensions			Designation
	Pitch length	w	h			Pitch length	w	h			Pitch length	w	h	
–	mm			–	–	mm			–	mm			–	
SPA	1 272	12,7	10	PHG SPA1272	SPA	2 650	12,7	10	PHG SPA2650	SPB	3 650	16,3	13	PHG SPB3650
	1 282	12,7	10	PHG SPA1282		2 682	12,7	10	PHG SPA2682		3 750	16,3	13	PHG SPB3750
	1 300	12,7	10	PHG SPA1300		2 732	12,7	10	PHG SPA2732		3 800	16,3	13	PHG SPB3800
	1 307	12,7	10	PHG SPA1307		2 782	12,7	10	PHG SPA2782		3 870	16,3	13	PHG SPB3870
	1 320	12,7	10	PHG SPA1320		2 800	12,7	10	PHG SPA2800		4 000	16,3	13	PHG SPB4000
	1 332	12,7	10	PHG SPA1332		2 832	12,7	10	PHG SPA2832		4 060	16,3	13	PHG SPB4060
	1 357	12,7	10	PHG SPA1357		2 847	12,7	10	PHG SPA2847		4 120	16,3	13	PHG SPB4120
	1 360	12,7	10	PHG SPA1360		2 882	12,7	10	PHG SPA2882		4 250	16,3	13	PHG SPB4250
	1 367	12,7	10	PHG SPA1367		2 900	12,7	10	PHG SPA2900		4 310	16,3	13	PHG SPB4310
	1 382	12,7	10	PHG SPA1382		2 932	12,7	10	PHG SPA2932		4 500	16,3	13	PHG SPB4500
	1 400	12,7	10	PHG SPA1400		2 982	12,7	10	PHG SPA2982		4 560	16,3	13	PHG SPB4560
	1 407	12,7	10	PHG SPA1407		3 000	12,7	10	PHG SPA3000		4 620	16,3	13	PHG SPB4620
	1 415	12,7	10	PHG SPA1415		3 032	12,7	10	PHG SPA3032		4 750	16,3	13	PHG SPB4750
	1 420	12,7	10	PHG SPA1420		3 082	12,7	10	PHG SPA3082		4 820	16,3	13	PHG SPB4820
	1 432	12,7	10	PHG SPA1432		3 150	12,7	10	PHG SPA3150		5 000	16,3	13	PHG SPB5000
	1 450	12,7	10	PHG SPA1450		3 182	12,7	10	PHG SPA3182		5 070	16,3	13	PHG SPB5070
	1 457	12,7	10	PHG SPA1457		3 282	12,7	10	PHG SPA3282		5 300	16,3	13	PHG SPB5300
	1 482	12,7	10	PHG SPA1482		3 350	12,7	10	PHG SPA3350		5 380	16,3	13	PHG SPB5380
	1 490	12,7	10	PHG SPA1490		3 382	12,7	10	PHG SPA3382		5 500	16,3	13	PHG SPB5500
	1 500	12,7	10	PHG SPA1500		3 550	12,7	10	PHG SPA3550		5 600	16,3	13	PHG SPB5600
	1 507	12,7	10	PHG SPA1507		3 750	12,7	10	PHG SPA3750		5 680	16,3	13	PHG SPB5680
	1 532	12,7	10	PHG SPA1532		4 000	12,7	10	PHG SPA4000		6 000	16,3	13	PHG SPB6000
	1 550	12,7	10	PHG SPA1550		4 250	12,7	10	PHG SPA4250		6 300	16,3	13	PHG SPB6300
	1 557	12,7	10	PHG SPA1557		4 500	12,7	10	PHG SPA4500		6 340	16,3	13	PHG SPB6340
	1 582	12,7	10	PHG SPA1582		1 250	16,3	13	PHG SPB1250		6 700	16,3	13	PHG SPB6700
	1 600	12,7	10	PHG SPA1600		1 260	16,3	13	PHG SPB1260		7 100	16,3	13	PHG SPB7100
	1 607	12,7	10	PHG SPA1607		1 270	16,3	13	PHG SPB1270		7 500	16,3	13	PHG SPB7500
	1 632	12,7	10	PHG SPA1632		1 280	16,3	13	PHG SPB1280		8 000	16,3	13	PHG SPB8000
	1 650	12,7	10	PHG SPA1650		1 320	16,3	13	PHG SPB1320		1 700	22,0	18	PHG SPC1700
	1 657	12,7	10	PHG SPA1657		1 340	16,3	13	PHG SPB1340		2 000	22,0	18	PHG SPC2000
	1 682	12,7	10	PHG SPA1682		1 400	16,3	13	PHG SPB1400		2 120	22,0	18	PHG SPC2120
	1 700	12,7	10	PHG SPA1700		1 410	16,3	13	PHG SPB1410		2 240	22,0	18	PHG SPC2240
	1 707	12,7	10	PHG SPA1707		1 450	16,3	13	PHG SPB1450		2 360	22,0	18	PHG SPC2360
	1 732	12,7	10	PHG SPA1732		1 465	16,3	13	PHG SPB1465		2 500	22,0	18	PHG SPC2500
	1 750	12,7	10	PHG SPA1750		1 500	16,3	13	PHG SPB1500		2 650	22,0	18	PHG SPC2650
	1 757	12,7	10	PHG SPA1757		1 510	16,3	13	PHG SPB1510		2 800	22,0	18	PHG SPC2800
	1 782	12,7	10	PHG SPA1782		1 525	16,3	13	PHG SPB1525		3 000	22,0	18	PHG SPC3000
	1 800	12,7	10	PHG SPA1800		1 590	16,3	13	PHG SPB1590		3 150	22,0	18	PHG SPC3150
	1 807	12,7	10	PHG SPA1807		1 600	16,3	13	PHG SPB1600		3 350	22,0	18	PHG SPC3350
	1 820	12,7	10	PHG SPA1820		1 650	16,3	13	PHG SPB1650		3 550	22,0	18	PHG SPC3550
	1 832	12,7	10	PHG SPA1832		1 690	16,3	13	PHG SPB1690		3 750	22,0	18	PHG SPC3750
	1 850	12,7	10	PHG SPA1850		1 700	16,3	13	PHG SPB1700		4 000	22,0	18	PHG SPC4000
	1 857	12,7	10	PHG SPA1857		1 720	16,3	13	PHG SPB1720		4 250	22,0	18	PHG SPC4250
	1 882	12,7	10	PHG SPA1882		1 750	16,3	13	PHG SPB1750		4 500	22,0	18	PHG SPC4500
	1 900	12,7	10	PHG SPA1900		1 800	16,3	13	PHG SPB1800		4 750	22,0	18	PHG SPC4750
1 907	12,7	10	PHG SPA1907	1 850	16,3	13	PHG SPB1850	5 000	22,0	18	PHG SPC5000			
1 932	12,7	10	PHG SPA1932	1 900	16,3	13	PHG SPB1900	5 300	22,0	18	PHG SPC5300			
1 950	12,7	10	PHG SPA1950	2 000	16,3	13	PHG SPB2000	5 600	22,0	18	PHG SPC5600			
1 957	12,7	10	PHG SPA1957	2 020	16,3	13	PHG SPB2020	6 000	22,0	18	PHG SPC6000			
1 982	12,7	10	PHG SPA1982	2 060	16,3	13	PHG SPB2060	6 300	22,0	18	PHG SPC6300			
2 000	12,7	10	PHG SPA2000	2 120	16,3	13	PHG SPB2120	6 700	22,0	18	PHG SPC6700			
2 032	12,7	10	PHG SPA2032	2 150	16,3	13	PHG SPB2150	7 100	22,0	18	PHG SPC7100			
2 057	12,7	10	PHG SPA2057	2 180	16,3	13	PHG SPB2180	7 500	22,0	18	PHG SPC7500			
2 060	12,7	10	PHG SPA2060	2 240	16,3	13	PHG SPB2240	8 000	22,0	18	PHG SPC8000			
2 082	12,7	10	PHG SPA2082	2 280	16,3	13	PHG SPB2280	8 500	22,0	18	PHG SPC8500			
2 120	12,7	10	PHG SPA2120	2 360	16,3	13	PHG SPB2360	9 000	22,0	18	PHG SPC9000			
2 132	12,7	10	PHG SPA2132	2 410	16,3	13	PHG SPB2410	9 500	22,0	18	PHG SPC9500			
2 160	12,7	10	PHG SPA2160	2 430	16,3	13	PHG SPB2430	10 000	22,0	18	PHG SPC10000			
2 182	12,7	10	PHG SPA2182	2 500	16,3	13	PHG SPB2500	2 530	16,3	13	PHG SPB2530			
2 207	12,7	10	PHG SPA2207	2 530	16,3	13	PHG SPB2530	2 580	16,3	13	PHG SPB2580			
2 232	12,7	10	PHG SPA2232	2 600	16,3	13	PHG SPB2600	2 650	16,3	13	PHG SPB2650			
2 240	12,7	10	PHG SPA2240	2 680	16,3	13	PHG SPB2680	2 700	16,3	13	PHG SPB2700			
2 282	12,7	10	PHG SPA2282	2 700	16,3	13	PHG SPB2700	2 800	16,3	13	PHG SPB2800			
2 300	12,7	10	PHG SPA2300	2 800	16,3	13	PHG SPB2800	2 840	16,3	13	PHG SPB2840			
2 307	12,7	10	PHG SPA2307	2 840	16,3	13	PHG SPB2840	2 900	16,3	13	PHG SPB2900			
2 332	12,7	10	PHG SPA2332	2 900	16,3	13	PHG SPB2900	2 990	16,3	13	PHG SPB2990			
2 360	12,7	10	PHG SPA2360	3 000	16,3	13	PHG SPB3000	3 070	16,3	13	PHG SPB3070			
2 382	12,7	10	PHG SPA2382	3 070	16,3	13	PHG SPB3070	3 150	16,3	13	PHG SPB3150			
2 430	12,7	10	PHG SPA2430	3 150	16,3	13	PHG SPB3150	3 250	16,3	13	PHG SPB3250			
2 432	12,7	10	PHG SPA2432	3 350	16,3	13	PHG SPB3350	3 450	16,3	13	PHG SPB3450			
2 482	12,7	10	PHG SPA2482	3 450	16,3	13	PHG SPB3450	3 550	16,3	13	PHG SPB3550			
2 500	12,7	10	PHG SPA2500	3 550	16,3	13	PHG SPB3550							

Non-standard lengths are also available.



Section	Dimensions		Inside length			Designation
	Pitch length			w	h	
-	mm	in.	mm	-	-	-
10/Z	390	368	14,50	10	6	PHG Z14.5
	395	381	15,00	10	6	PHG Z15
	405	387	15,25	10	6	PHG Z15.25
	410	394	15,50	10	6	PHG Z15.5
	420	406	16,00	10	6	PHG Z16
	440	419	16,50	10	6	PHG Z16.5
	445	432	17,00	10	6	PHG Z17
	465	445	17,50	10	6	PHG Z17.5
	470	457	18,00	10	6	PHG Z18
	480	470	18,50	10	6	PHG Z18.5
	495	483	19,00	10	6	PHG Z19
	510	495	19,50	10	6	PHG Z19.5
	520	508	20,00	10	6	PHG Z20
	530	521	20,50	10	6	PHG Z20.5
	545	533	21,00	10	6	PHG Z21
	555	540	21,25	10	6	PHG Z21.25
	570	559	22,00	10	6	PHG Z22
	585	565	22,25	10	6	PHG Z22.25
	590	572	22,50	10	6	PHG Z22.5
	600	584	23,00	10	6	PHG Z23
	610	597	23,50	10	6	PHG Z23.5
	620	610	24,00	10	6	PHG Z24
	630	622	24,50	10	6	PHG Z24.5
	650	635	25,00	10	6	PHG Z25
	660	648	25,50	10	6	PHG Z25.5
	675	654	25,75	10	6	PHG Z25.75
	680	660	26,00	10	6	PHG Z26
	685	667	26,25	10	6	PHG Z26.25
	690	673	26,50	10	6	PHG Z26.5
	700	686	27,00	10	6	PHG Z27
	710	692	27,25	10	6	PHG Z27.25
	715	699	27,50	10	6	PHG Z27.5
	725	711	28,00	10	6	PHG Z28
	740	724	28,50	10	6	PHG Z28.5
	750	737	29,00	10	6	PHG Z29
	770	749	29,50	10	6	PHG Z29.5
775	756	29,75	10	6	PHG Z29.75	
780	762	30,00	10	6	PHG Z30	
795	775	30,50	10	6	PHG Z30.5	
800	787	31,00	10	6	PHG Z31	
820	800	31,50	10	6	PHG Z31.5	
840	813	32,00	10	6	PHG Z32	
845	826	32,50	10	6	PHG Z32.5	
850	838	33,00	10	6	PHG Z33	
860	851	33,50	10	6	PHG Z33.5	
875	864	34,00	10	6	PHG Z34	
890	876	34,50	10	6	PHG Z34.5	
900	889	35,00	10	6	PHG Z35	
915	895	35,25	10	6	PHG Z35.25	
920	902	35,50	10	6	PHG Z35.5	
925	908	35,75	10	6	PHG Z35.75	
930	914	36,00	10	6	PHG Z36	
940	927	36,50	10	6	PHG Z36.5	
950	940	37,00	10	6	PHG Z37	
965	953	37,50	10	6	PHG Z37.5	

Section	Dimensions		Inside length			Designation
	Pitch length			w	h	
-	mm	in.	mm	-	-	-
10/Z	975	959	37,75	10	6	PHG Z37.75
	980	965	38,00	10	6	PHG Z38
	990	978	38,50	10	6	PHG Z38.5
	1 005	984	38,75	10	6	PHG Z38.75
	1 015	991	39,00	10	6	PHG Z39
	1 025	1 003	39,50	10	6	PHG Z39.5
	1 035	1 016	40,00	10	6	PHG Z40
	1 045	1 029	40,50	10	6	PHG Z40.5
	1 050	1 035	40,75	10	6	PHG Z40.75
	1 055	1 041	41,00	10	6	PHG Z41
	1 075	1 054	41,50	10	6	PHG Z41.5
	1 080	1 067	42,00	10	6	PHG Z42
	1 105	1 092	43,00	10	6	PHG Z43
	1 125	1 105	43,50	10	6	PHG Z43.5
	1 130	1 118	44,00	10	6	PHG Z44
	1 155	1 143	45,00	10	6	PHG Z45
	1 170	1 149	45,25	10	6	PHG Z45.25
	1 175	1 156	45,50	10	6	PHG Z45.5
	1 190	1 168	46,00	10	6	PHG Z46
	1 200	1 181	46,50	10	6	PHG Z46.5
	1 205	1 194	47,00	10	6	PHG Z47
	1 230	1 207	47,50	10	6	PHG Z47.5
	1 240	1 219	48,00	10	6	PHG Z48
	1 255	1 232	48,50	10	6	PHG Z48.5
	1 270	1 245	49,00	10	6	PHG Z49
	1 290	1 270	50,00	10	6	PHG Z50
	1 330	1 295	51,00	10	6	PHG Z51
	1 335	1 314	51,75	10	6	PHG Z51.75
	1 340	1 321	52,00	10	6	PHG Z52
	1 380	1 346	53,00	10	6	PHG Z53
	1 390	1 372	54,00	10	6	PHG Z54
	1 420	1 397	55,00	10	6	PHG Z55
	1 440	1 422	56,00	10	6	PHG Z56
	1 465	1 448	57,00	10	6	PHG Z57
	1 515	1 499	59,00	10	6	PHG Z59
	1 540	1 524	60,00	10	6	PHG Z60
1 570	1 549	61,00	10	6	PHG Z61	
1 595	1 575	62,00	10	6	PHG Z62	
1 620	1 600	63,00	10	6	PHG Z63	
1 645	1 626	64,00	10	6	PHG Z64	
1 670	1 651	65,00	10	6	PHG Z65	
1 695	1 676	66,00	10	6	PHG Z66	
1 720	1 702	67,00	10	6	PHG Z67	
1 750	1 727	68,00	10	6	PHG Z68	
1 770	1 753	69,00	10	6	PHG Z69	
1 820	1 803	71,00	10	6	PHG Z71	
1 930	1 905	75,00	10	6	PHG Z75	
2 000	1 981	78,00	10	6	PHG Z78	
2 025	2 007	79,00	10	6	PHG Z79	
13/A	436	406	16,00	13	8	PHG A16
	487	457	18,00	13	8	PHG A18
	510	483	19,00	13	8	PHG A19
	540	508	20,00	13	8	PHG A20
	570	533	21,00	13	8	PHG A21

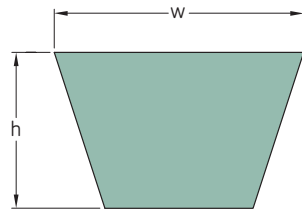
Non-standard lengths are also available.

SKF Wrapped Classical Belts

13/A | 17/B

Section	Dimensions				Designation	Section	Dimensions				Designation		
	Pitch length	Inside length					Pitch length	Inside length					
			w	h					w	h			
–	mm	in.	mm	–	–	mm	in.	mm	–				
13/A	590	559	22,00	13	8	PHG A22	13/A	1 940	1 905	75,00	13	8	PHG A75
	620	584	23,00	13	8	PHG A23		1 960	1 930	76,00	13	8	PHG A76
	630	597	23,50	13	8	PHG A23.5		1 990	1 956	77,00	13	8	PHG A77
	640	610	24,00	13	8	PHG A24		2 020	1 981	78,00	13	8	PHG A78
	670	635	25,00	13	8	PHG A25		2 050	2 007	79,00	13	8	PHG A79
	700	660	26,00	13	8	PHG A26		2 070	2 032	80,00	13	8	PHG A80
	710	673	26,50	13	8	PHG A26.5		2 090	2 057	81,00	13	8	PHG A81
	720	686	27,00	13	8	PHG A27		2 120	2 083	82,00	13	8	PHG A82
	730	699	27,50	13	8	PHG A27.5		2 140	2 108	83,00	13	8	PHG A83
	740	711	28,00	13	8	PHG A28		2 150	2 121	83,50	13	8	PHG A83.5
	770	737	29,00	13	8	PHG A29		2 170	2 134	84,00	13	8	PHG A84
	780	749	29,50	13	8	PHG A29.5		2 185	2 146	84,50	13	8	PHG A84.5
	790	762	30,00	13	8	PHG A30		2 200	2 159	85,00	13	8	PHG A85
	800	775	30,50	13	8	PHG A30.5		2 220	2 184	86,00	13	8	PHG A86
	810	781	30,75	13	8	PHG A30.75		2 230	2 197	86,50	13	8	PHG A86.5
	817	787	31,00	13	8	PHG A31		2 240	2 210	87,00	13	8	PHG A87
	830	800	31,50	13	8	PHG A31.5		2 270	2 235	88,00	13	8	PHG A88
	850	813	32,00	13	8	PHG A32		2 300	2 261	89,00	13	8	PHG A89
	860	826	32,50	13	8	PHG A32.5		2 320	2 286	90,00	13	8	PHG A90
	870	838	33,00	13	8	PHG A33		2 350	2 311	91,00	13	8	PHG A91
	880	851	33,50	13	8	PHG A33.5		2 370	2 337	92,00	13	8	PHG A92
	890	864	34,00	13	8	PHG A34		2 400	2 362	93,00	13	8	PHG A93
	900	876	34,50	13	8	PHG A34.5		2 420	2 388	94,00	13	8	PHG A94
	920	889	35,00	13	8	PHG A35		2 450	2 413	95,00	13	8	PHG A95
	930	902	35,50	13	8	PHG A35.5		2 480	2 438	96,00	13	8	PHG A96
	950	914	36,00	13	8	PHG A36		2 500	2 464	97,00	13	8	PHG A97
	955	921	36,25	13	8	PHG A36.25		2 520	2 489	98,00	13	8	PHG A98
	970	940	37,00	13	8	PHG A37		2 550	2 515	99,00	13	8	PHG A99
	980	953	37,50	13	8	PHG A37.5		2 570	2 540	100,00	13	8	PHG A100
	990	965	38,00	13	8	PHG A38		2 630	2 591	102,00	13	8	PHG A102
	1 010	978	38,50	13	8	PHG A38.5		2 680	2 642	104,00	13	8	PHG A104
	1 020	991	39,00	13	8	PHG A39		2 700	2 667	105,00	13	8	PHG A105
	1 050	1 016	40,00	13	8	PHG A40		2 750	2 718	107,00	13	8	PHG A107
	1 060	1 029	40,50	13	8	PHG A40.5		2 780	2 743	108,00	13	8	PHG A108
	1 070	1 041	41,00	13	8	PHG A41		2 830	2 794	110,00	13	8	PHG A110
	1 085	1 054	41,50	13	8	PHG A41.5		2 880	2 845	112,00	13	8	PHG A112
	1 100	1 067	42,00	13	8	PHG A42		2 930	2 896	114,00	13	8	PHG A114
	1 110	1 080	42,50	13	8	PHG A42.5		2 980	2 946	116,00	13	8	PHG A116
	1 130	1 092	43,00	13	8	PHG A43		3 030	2 997	118,00	13	8	PHG A118
	1 150	1 118	44,00	13	8	PHG A44		3 080	3 048	120,00	13	8	PHG A120
	1 180	1 143	45,00	13	8	PHG A45		3 190	3 150	124,00	13	8	PHG A124
	1 185	1 149	45,25	13	8	PHG A45.25		3 290	3 251	128,00	13	8	PHG A128
	1 200	1 168	46,00	13	8	PHG A46		3 340	3 302	130,00	13	8	PHG A130
	1 215	1 181	46,50	13	8	PHG A46.5		3 390	3 353	132,00	13	8	PHG A132
	1 230	1 194	47,00	13	8	PHG A47		3 490	3 454	136,00	13	8	PHG A136
1 240	1 207	47,50	13	8	PHG A47.5	3 590	3 556	140,00	13	8	PHG A140		
1 250	1 219	48,00	13	8	PHG A48	3 690	3 658	144,00	13	8	PHG A144		
1 265	1 232	48,50	13	8	PHG A48.5	3 800	3 759	148,00	13	8	PHG A148		
1 280	1 245	49,00	13	8	PHG A49	3 840	3 810	150,00	13	8	PHG A150		
1 300	1 270	50,00	13	8	PHG A50	4 043	4 013	158,00	13	8	PHG A158		
1 315	1 283	50,50	13	8	PHG A50.5	4 424	4 394	173,00	13	8	PHG A173		
1 330	1 295	51,00	13	8	PHG A51	4 780	4 750	187,00	13	8	PHG A187		
1 360	1 321	52,00	13	8	PHG A52	17/B	624	584	23,00	17	11	PHG B23	
1 380	1 346	53,00	13	8	PHG A53		650	610	24,00	17	11	PHG B24	
1 410	1 372	54,00	13	8	PHG A54		675	635	25,00	17	11	PHG B25	
1 430	1 397	55,00	13	8	PHG A55		700	660	26,00	17	11	PHG B26	
1 460	1 422	56,00	13	8	PHG A56		715	673	26,50	17	11	PHG B26.5	
1 480	1 448	57,00	13	8	PHG A57		730	686	27,00	17	11	PHG B27	
1 510	1 473	58,00	13	8	PHG A58		750	711	28,00	17	11	PHG B28	
1 530	1 499	59,00	13	8	PHG A59		760	724	28,50	17	11	PHG B28.5	
1 550	1 524	60,00	13	8	PHG A60		770	737	29,00	17	11	PHG B29	
1 580	1 549	61,00	13	8	PHG A61		785	749	29,50	17	11	PHG B29.5	
1 610	1 575	62,00	13	8	PHG A62		800	762	30,00	17	11	PHG B30	
1 640	1 600	63,00	13	8	PHG A63		830	787	31,00	17	11	PHG B31	
1 660	1 626	64,00	13	8	PHG A64		845	800	31,50	17	11	PHG B31.5	
1 690	1 651	65,00	13	8	PHG A65		860	813	32,00	17	11	PHG B32	
1 710	1 676	66,00	13	8	PHG A66		863	819	32,25	17	11	PHG B32.25	
1 740	1 702	67,00	13	8	PHG A67	866	826	32,50	17	11	PHG B32.5		
1 750	1 715	67,50	13	8	PHG A67.5	880	838	33,00	17	11	PHG B33		
1 760	1 727	68,00	13	8	PHG A68	895	851	33,50	17	11	PHG B33.5		
1 790	1 753	69,00	13	8	PHG A69	900	857	33,75	17	11	PHG B33.75		
1 810	1 778	70,00	13	8	PHG A70	910	864	34,00	17	11	PHG B34		
1 840	1 803	71,00	13	8	PHG A71	920	876	34,50	17	11	PHG B34.5		
1 860	1 829	72,00	13	8	PHG A72	930	889	35,00	17	11	PHG B35		
1 890	1 854	73,00	13	8	PHG A73	945	902	35,50	17	11	PHG B35.5		
1 920	1 880	74,00	13	8	PHG A74	950	908	35,75	17	11	PHG B35.75		

Non-standard lengths are also available.



Section	Dimensions		Inside length		Designation
	Pitch length		w	h	
-	mm	in.	mm	-	-
17/B	960	914	36,00	17	PHG B36
	965	921	36,25	17	PHG B36.25
	970	927	36,50	17	PHG B36.5
	980	940	37,00	17	PHG B37
	990	953	37,50	17	PHG B37.5
	1 000	965	38,00	17	PHG B38
	1 020	978	38,50	17	PHG B38.5
	1 030	991	39,00	17	PHG B39
	1 045	1 003	39,50	17	PHG B39.5
	1 060	1 016	40,00	17	PHG B40
	1 070	1 029	40,50	17	PHG B40.5
	1 080	1 041	41,00	17	PHG B41
	1 090	1 054	41,50	17	PHG B41.5
	1 100	1 067	42,00	17	PHG B42
	1 115	1 080	42,50	17	PHG B42.5
	1 130	1 092	43,00	17	PHG B43
	1 140	1 099	43,25	17	PHG B43.25
	1 160	1 118	44,00	17	PHG B44
	1 180	1 143	45,00	17	PHG B45
1 195	1 156	45,50	17	PHG B45.5	
1 210	1 168	46,00	17	PHG B46	
1 225	1 181	46,50	17	PHG B46.5	
1 240	1 194	47,00	17	PHG B47	
1 260	1 219	48,00	17	PHG B48	
1 290	1 245	49,00	17	PHG B49	
1 310	1 270	50,00	17	PHG B50	
1 340	1 295	51,00	17	PHG B51	
1 370	1 321	52,00	17	PHG B52	
1 380	1 334	52,50	17	PHG B52.5	
1 390	1 346	53,00	17	PHG B53	
1 400	1 359	53,50	17	PHG B53.5	
1 410	1 372	54,00	17	PHG B54	
1 440	1 397	55,00	17	PHG B55	
1 460	1 422	56,00	17	PHG B56	
1 490	1 448	57,00	17	PHG B57	
1 510	1 473	58,00	17	PHG B58	
1 540	1 499	59,00	17	PHG B59	
1 560	1 524	60,00	17	PHG B60	
1 590	1 549	61,00	17	PHG B61	
1 620	1 575	62,00	17	PHG B62	
1 640	1 600	63,00	17	PHG B63	
1 655	1 613	63,50	17	PHG B63.5	
1 670	1 626	64,00	17	PHG B64	
1 690	1 651	65,00	17	PHG B65	
1 720	1 676	66,00	17	PHG B66	
1 740	1 702	67,00	17	PHG B67	
1 760	1 727	68,00	17	PHG B68	
1 800	1 753	69,00	17	PHG B69	
1 810	1 765	69,50	17	PHG B69.5	
1 820	1 778	70,00	17	PHG B70	
1 850	1 803	71,00	17	PHG B71	
1 870	1 829	72,00	17	PHG B72	
1 900	1 854	73,00	17	PHG B73	
1 920	1 880	74,00	17	PHG B74	
1 950	1 905	75,00	17	PHG B75	

Section	Dimensions		Inside length		Designation
	Pitch length		w	h	
-	mm	in.	mm	-	-
17/B	1 970	1 930	76,00	17	PHG B76
	2 000	1 956	77,00	17	PHG B77
	2 020	1 981	78,00	17	PHG B78
	2 050	2 007	79,00	17	PHG B79
	2 070	2 032	80,00	17	PHG B80
	2 100	2 057	81,00	17	PHG B81
	2 130	2 083	82,00	17	PHG B82
	2 150	2 108	83,00	17	PHG B83
	2 165	2 121	83,50	17	PHG B83.5
	2 180	2 134	84,00	17	PHG B84
	2 200	2 159	85,00	17	PHG B85
	2 230	2 184	86,00	17	PHG B86
	2 250	2 210	87,00	17	PHG B87
	2 280	2 235	88,00	17	PHG B88
	2 300	2 261	89,00	17	PHG B89
	2 330	2 286	90,00	17	PHG B90
	2 350	2 311	91,00	17	PHG B91
	2 380	2 337	92,00	17	PHG B92
	2 400	2 362	93,00	17	PHG B93
2 420	2 388	94,00	17	PHG B94	
2 435	2 400	94,50	17	PHG B94.5	
2 450	2 413	95,00	17	PHG B95	
2 480	2 438	96,00	17	PHG B96	
2 490	2 451	96,50	17	PHG B96.5	
2 500	2 464	97,00	17	PHG B97	
2 530	2 489	98,00	17	PHG B98	
2 560	2 515	99,00	17	PHG B99	
2 580	2 540	100,00	17	PHG B100	
2 610	2 565	101,00	17	PHG B101	
2 630	2 591	102,00	17	PHG B102	
2 660	2 616	103,00	17	PHG B103	
2 680	2 642	104,00	17	PHG B104	
2 700	2 667	105,00	17	PHG B105	
2 740	2 692	106,00	17	PHG B106	
2 760	2 718	107,00	17	PHG B107	
2 790	2 743	108,00	17	PHG B108	
2 840	2 794	110,00	17	PHG B110	
2 872	2 832	111,50	17	PHG B111.5	
2 890	2 845	112,00	17	PHG B112	
2 940	2 896	114,00	17	PHG B114	
2 960	2 921	115,00	17	PHG B115	
2 990	2 946	116,00	17	PHG B116	
3 040	2 997	118,00	17	PHG B118	
3 090	3 048	120,00	17	PHG B120	
3 140	3 099	122,00	17	PHG B122	
3 200	3 150	124,00	17	PHG B124	
3 240	3 200	126,00	17	PHG B126	
3 290	3 251	128,00	17	PHG B128	
3 350	3 302	130,00	17	PHG B130	
3 400	3 353	132,00	17	PHG B132	
3 450	3 404	134,00	17	PHG B134	
3 500	3 454	136,00	17	PHG B136	
3 550	3 505	138,00	17	PHG B138	
3 600	3 556	140,00	17	PHG B140	
3 650	3 607	142,00	17	PHG B142	

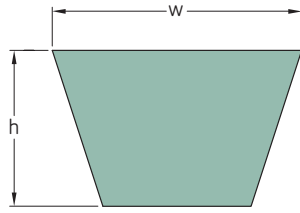
Non-standard lengths are also available.

SKF Wrapped Classical Belts

17/B | 22/C

Section	Dimensions		Inside length			Designation	Section	Dimensions		Inside length			Designation	
	Pitch length			w	h			Pitch length			w	h		
														mm
17/B	3 700	3 658	144,00	17	11	PHG B144	22/C	2 110	2 057	81,00	22	14	PHG C81	
	3 750	3 708	146,00	17	11	PHG B146		2 140	2 083	82,00	22	14	PHG C82	
	3 800	3 759	148,00	17	11	PHG B148		2 160	2 108	83,00	22	14	PHG C83	
	3 850	3 810	150,00	17	11	PHG B150		2 175	2 121	83,50	22	14	PHG C83.5	
	3 870	3 835	151,00	17	11	PHG B151		2 190	2 134	84,00	22	14	PHG C84	
	3 900	3 861	152,00	17	11	PHG B152		2 205	2 146	84,50	22	14	PHG C84.5	
	3 950	3 912	154,00	17	11	PHG B154		2 220	2 159	85,00	22	14	PHG C85	
	4 010	3 962	156,00	17	11	PHG B156		2 240	2 184	86,00	22	14	PHG C86	
	4 060	4 013	158,00	17	11	PHG B158		2 270	2 210	87,00	22	14	PHG C87	
	4 110	4 064	160,00	17	11	PHG B160		2 290	2 235	88,00	22	14	PHG C88	
	4 160	4 115	162,00	17	11	PHG B162		2 320	2 261	89,00	22	14	PHG C89	
	4 200	4 166	164,00	17	11	PHG B164		2 340	2 286	90,00	22	14	PHG C90	
	4 230	4 191	165,00	17	11	PHG B165		2 390	2 337	92,00	22	14	PHG C92	
	4 280	4 242	167,00	17	11	PHG B167		2 420	2 362	93,00	22	14	PHG C93	
	4 360	4 318	170,00	17	11	PHG B170		2 440	2 388	94,00	22	14	PHG C94	
	4 430	4 394	173,00	17	11	PHG B173		2 470	2 413	95,00	22	14	PHG C95	
	4 490	4 445	175,00	17	11	PHG B175		2 490	2 438	96,00	22	14	PHG C96	
	4 540	4 496	177,00	17	11	PHG B177		2 505	2 451	96,50	22	14	PHG C96.5	
	4 610	4 572	180,00	17	11	PHG B180		2 520	2 464	97,00	22	14	PHG C97	
	4 740	4 699	185,00	17	11	PHG B185		2 550	2 489	98,00	22	14	PHG C98	
	4 800	4 750	187,00	17	11	PHG B187		2 570	2 515	99,00	22	14	PHG C99	
	5 000	4 953	195,00	17	11	PHG B195		2 600	2 540	100,00	22	14	PHG C100	
	5 044	5 004	197,00	17	11	PHG B197		2 620	2 565	101,00	22	14	PHG C101	
	5 220	5 182	204,00	17	11	PHG B204		2 650	2 591	102,00	22	14	PHG C102	
	5 340	5 283	208,00	17	11	PHG B208		2 700	2 642	104,00	22	14	PHG C104	
	5 370	5 334	210,00	17	11	PHG B210		2 720	2 667	105,00	22	14	PHG C105	
	5 630	5 588	220,00	17	11	PHG B220		2 740	2 692	106,00	22	14	PHG C106	
	5 760	5 715	225,00	17	11	PHG B225		2 800	2 743	108,00	22	14	PHG C108	
	6 040	5 994	236,00	17	11	PHG B236		2 850	2 794	110,00	22	14	PHG C110	
	6 140	6 096	240,00	17	11	PHG B240		2 900	2 845	112,00	22	14	PHG C112	
	6 340	6 299	248,00	17	11	PHG B248		2 950	2 896	114,00	22	14	PHG C114	
	6 750	6 706	264,00	17	11	PHG B264		2 980	2 921	115,00	22	14	PHG C115	
	6 900	6 858	270,00	17	11	PHG B270		2 990	2 934	115,50	22	14	PHG C115.5	
	7 025	6 985	275,00	17	11	PHG B275		3 000	2 946	116,00	22	14	PHG C116	
	7 050	7 010	276,00	17	11	PHG B276		3 050	2 997	118,00	22	14	PHG C118	
	7 150	7 112	280,00	17	11	PHG B280		3 100	3 048	120,00	22	14	PHG C120	
	7 660	7 620	300,00	17	11	PHG B300		3 160	3 099	122,00	22	14	PHG C122	
	8 040	8 001	315,00	17	11	PHG B315		3 210	3 150	124,00	22	14	PHG C124	
	22/C	1 126	1 067	42,00	22	14		PHG C42	3 270	3 200	126,00	22	14	PHG C126
		1 150	1 092	43,00	22	14		PHG C43	3 310	3 251	128,00	22	14	PHG C128
		1 250	1 194	47,00	22	14		PHG C47	3 360	3 302	130,00	22	14	PHG C130
		1 280	1 219	48,00	22	14		PHG C48	3 410	3 353	132,00	22	14	PHG C132
		1 300	1 245	49,00	22	14		PHG C49	3 460	3 404	134,00	22	14	PHG C134
		1 325	1 270	50,00	22	14		PHG C50	3 520	3 454	136,00	22	14	PHG C136
		1 349	1 289	50,75	22	14		PHG C50.75	3 560	3 505	138,00	22	14	PHG C138
		1 350	1 295	51,00	22	14		PHG C51	3 610	3 556	140,00	22	14	PHG C140
		1 370	1 321	52,00	22	14		PHG C52	3 660	3 607	142,00	22	14	PHG C142
		1 400	1 346	53,00	22	14		PHG C53	3 710	3 658	144,00	22	14	PHG C144
1 430		1 372	54,00	22	14	PHG C54	3 760	3 708	146,00	22	14	PHG C146		
1 450		1 397	55,00	22	14	PHG C55	3 820	3 759	148,00	22	14	PHG C148		
1 480		1 422	56,00	22	14	PHG C56	3 870	3 810	150,00	22	14	PHG C150		
1 500		1 448	57,00	22	14	PHG C57	3 920	3 861	152,00	22	14	PHG C152		
1 530		1 473	58,00	22	14	PHG C58	4 060	4 013	158,00	22	14	PHG C158		
1 560		1 499	59,00	22	14	PHG C59	4 170	4 115	162,00	22	14	PHG C162		
1 580		1 524	60,00	22	14	PHG C60	4 280	4 216	166,00	22	14	PHG C166		
1 610		1 549	61,00	22	14	PHG C61	4 300	4 242	167,00	22	14	PHG C167		
1 630		1 575	62,00	22	14	PHG C62	4 320	4 267	168,00	22	14	PHG C168		
1 650		1 600	63,00	22	14	PHG C63	4 450	4 394	173,00	22	14	PHG C173		
1 700		1 651	65,00	22	14	PHG C65	4 500	4 445	175,00	22	14	PHG C175		
1 730		1 676	66,00	22	14	PHG C66	4 560	4 496	177,00	22	14	PHG C177		
1 760		1 702	67,00	22	14	PHG C67	4 630	4 572	180,00	22	14	PHG C180		
1 780		1 727	68,00	22	14	PHG C68	4 810	4 750	187,00	22	14	PHG C187		
1 810		1 753	69,00	22	14	PHG C69	4 880	4 826	190,00	22	14	PHG C190		
1 830		1 778	70,00	22	14	PHG C70	5 010	4 953	195,00	22	14	PHG C195		
1 860		1 803	71,00	22	14	PHG C71	5 060	5 004	197,00	22	14	PHG C197		
1 880		1 829	72,00	22	14	PHG C72	5 240	5 182	204,00	22	14	PHG C204		
1 910		1 854	73,00	22	14	PHG C73	5 340	5 283	208,00	22	14	PHG C208		
1 930		1 880	74,00	22	14	PHG C74	5 380	5 334	210,00	22	14	PHG C210		
1 940		1 892	74,50	22	14	PHG C74.5	5 640	5 588	220,00	22	14	PHG C220		
1 950		1 905	75,00	22	14	PHG C75	5 770	5 715	225,00	22	14	PHG C225		
1 990		1 930	76,00	22	14	PHG C76	6 050	5 994	236,00	22	14	PHG C236		
2 000		1 943	76,50	22	14	PHG C76.5	6 100	6 045	238,00	22	14	PHG C238		
2 010		1 956	77,00	22	14	PHG C77	6 150	6 096	240,00	22	14	PHG C240		
2 040		1 981	78,00	22	14	PHG C78	6 360	6 299	248,00	22	14	PHG C248		
2 060		2 007	79,00	22	14	PHG C79	6 535	6 477	255,00	22	14	PHG C255		
2 090		2 032	80,00	22	14	PHG C80	6 760	6 706	264,00	22	14	PHG C264		

Non-standard lengths are also available.



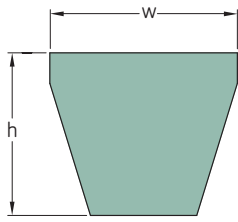
Section	Dimensions		Inside length			Designation
	Pitch length			w	h	
-	mm	in.	mm	-	-	-
22/C	6 910	6 858	270,00	22	14	PHG C270
	7 170	7 112	280,00	22	14	PHG C280
	7 550	7 493	295,00	22	14	PHG C295
	7 680	7 620	300,00	22	14	PHG C300
	8 060	8 001	315,00	22	14	PHG C315
	8 390	8 331	328,00	22	14	PHG C328
	8 440	8 382	330,00	22	14	PHG C330
	9 200	9 144	360,00	22	14	PHG C360
	9 970	9 906	390,00	22	14	PHG C390
	10 670	10 617	418,00	22	14	PHG C418
32/D	2 560	2 489	98,00	32	20	PHG D98
	2 720	2 642	104,00	32	20	PHG D104
	2 740	2 667	105,00	32	20	PHG D105
	2 870	2 794	110,00	32	20	PHG D110
	3 080	2 997	118,00	32	20	PHG D118
	3 130	3 048	120,00	32	20	PHG D120
	3 225	3 150	124,00	32	20	PHG D124
	3 330	3 251	128,00	32	20	PHG D128
	3 430	3 353	132,00	32	20	PHG D132
	3 530	3 454	136,00	32	20	PHG D136
	3 555	3 480	137,00	32	20	PHG D137
	3 640	3 556	140,00	32	20	PHG D140
	3 730	3 658	144,00	32	20	PHG D144
	3 830	3 759	148,00	32	20	PHG D148
	4 080	4 013	158,00	32	20	PHG D158
	4 190	4 115	162,00	32	20	PHG D162
	4 320	4 242	167,00	32	20	PHG D167
	4 395	4 318	170,00	32	20	PHG D170
	4 470	4 394	173,00	32	20	PHG D173
	4 580	4 496	177,00	32	20	PHG D177
	4 650	4 572	180,00	32	20	PHG D180
	4 830	4 750	187,00	32	20	PHG D187
	5 030	4 953	195,00	32	20	PHG D195
	5 080	5 004	197,00	32	20	PHG D197
	5 360	5 283	208,00	32	20	PHG D208
	5 400	5 334	210,00	32	20	PHG D210
	5 670	5 588	220,00	32	20	PHG D220
	5 790	5 715	225,00	32	20	PHG D225
	6 070	5 994	236,00	32	20	PHG D236
	6 170	6 096	240,00	32	20	PHG D240
	6 380	6 299	248,00	32	20	PHG D248
	6 425	6 350	250,00	32	20	PHG D250
	6 560	6 477	255,00	32	20	PHG D255
	6 780	6 706	264,00	32	20	PHG D264
	6 910	6 833	269,00	32	20	PHG D269
	6 940	6 858	270,00	32	20	PHG D270
	7 190	7 112	280,00	32	20	PHG D280
	7 320	7 239	285,00	32	20	PHG D285
	7 650	7 569	298,00	32	20	PHG D298
	7 700	7 620	300,00	32	20	PHG D300
	8 080	8 001	315,00	32	20	PHG D315
	8 410	8 331	328,00	32	20	PHG D328
	8 460	8 382	330,00	32	20	PHG D330
	9 070	8 992	354,00	32	20	PHG D354
	9 220	9 144	360,00	32	20	PHG D360

Section	Dimensions		Inside length			Designation
	Pitch length			w	h	
-	mm	in.	mm	-	-	-
32/D	9 580	9 500	374,00	32	20	PHG D374
	9 980	9 906	390,00	32	20	PHG D390
	10 085	10 008	394,00	32	20	PHG D394
	10 700	10 617	418,00	32	20	PHG D418
	12 190	12 116	477,00	32	20	PHG D477
38/E	3 076	2 997	118,00	38	23	PHG E118
	4 091	4 013	158,00	38	23	PHG E158
	4 979	4 902	193,00	38	23	PHG E193
	5 030	4 953	195,00	38	23	PHG E195
	5 081	5 004	197,00	38	23	PHG E197
	5 537	5 461	215,00	38	23	PHG E215
	5 664	5 588	220,00	38	23	PHG E220
	6 070	5 994	236,00	38	23	PHG E236
	6 121	6 045	238,00	38	23	PHG E238
	6 172	6 096	240,00	38	23	PHG E240
	6 375	6 299	248,00	38	23	PHG E248
	6 654	6 579	259,00	38	23	PHG E259
	6 806	6 731	265,00	38	23	PHG E265
	6 933	6 858	270,00	38	23	PHG E270
	7 187	7 112	280,00	38	23	PHG E280
	7 567	7 493	295,00	38	23	PHG E295
	7 643	7 569	298,00	38	23	PHG E298
	7 694	7 620	300,00	38	23	PHG E300
	8 075	8 001	315,00	38	23	PHG E315
	8 405	8 331	328,00	38	23	PHG E328
8 430	8 357	329,00	38	23	PHG E329	
8 455	8 382	330,00	38	23	PHG E330	
8 709	8 636	340,00	38	23	PHG E340	
9 065	8 992	354,00	38	23	PHG E354	
9 166	9 093	358,00	38	23	PHG E358	
9 217	9 144	360,00	38	23	PHG E360	
10 080	10 008	394,00	38	23	PHG E394	
10 689	10 617	418,00	38	23	PHG E418	
10 739	10 668	420,00	38	23	PHG E420	
11 247	11 176	440,00	38	23	PHG E440	
11 272	11 201	441,00	38	23	PHG E441	
11 983	11 913	469,00	38	23	PHG E469	
12 262	12 192	480,00	38	23	PHG E480	
12 566	12 497	492,00	38	23	PHG E492	
13 784	13 716	540,00	38	23	PHG E540	

Non-standard lengths are also available.

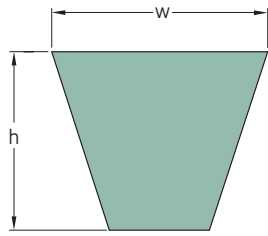
SKF Wrapped Narrow Wedge Belts

3V/9N | 5V/15N | 8V/25N



Section	Dimensions Outside length		w		h	Designation	Section	Dimensions Outside length		w		h	Designation
	mm	in.	mm	mm	mm			mm	in.	mm	mm	mm	
3V/9N	635	25,0	9	8	8	PHG 3V250	5V/15N	5 080	200,0	15	13	PHG 5V2000	
	673	26,5	9	8	8	PHG 3V265		5 385	212,0	15	13	PHG 5V2120	
	711	28,0	9	8	8	PHG 3V280		5 690	224,0	15	13	PHG 5V2240	
	762	30,0	9	8	8	PHG 3V300		5 994	236,0	15	13	PHG 5V2360	
	800	31,5	9	8	8	PHG 3V315		6 350	250,0	15	13	PHG 5V2500	
	851	33,5	9	8	8	PHG 3V335		6 731	265,0	15	13	PHG 5V2650	
	902	35,5	9	8	8	PHG 3V355		7 112	280,0	15	13	PHG 5V2800	
	953	37,5	9	8	8	PHG 3V375		7 620	300,0	15	13	PHG 5V3000	
	1 016	40,0	9	8	8	PHG 3V400		8 001	315,0	15	13	PHG 5V3150	
	1 080	42,5	9	8	8	PHG 3V425		8 509	335,0	15	13	PHG 5V3350	
	1 143	45,0	9	8	8	PHG 3V450		9 017	355,0	15	13	PHG 5V3550	
	1 207	47,5	9	8	8	PHG 3V475		8V/25N	2 540	100,0	25	23	PHG 8V1000
	1 270	50,0	9	8	8	PHG 3V500			2 692	106,0	25	23	PHG 8V1060
	1 346	53,0	9	8	8	PHG 3V530			2 845	112,0	25	23	PHG 8V1120
	1 422	56,0	9	8	8	PHG 3V560			2 997	118,0	25	23	PHG 8V1180
	1 524	60,0	9	8	8	PHG 3V600	3 175		125,0	25	23	PHG 8V1250	
	1 600	63,0	9	8	8	PHG 3V630	3 353		132,0	25	23	PHG 8V1320	
	1 702	67,0	9	8	8	PHG 3V670	3 556		140,0	25	23	PHG 8V1400	
	1 803	71,0	9	8	8	PHG 3V710	3 810		150,0	25	23	PHG 8V1500	
	1 905	75,0	9	8	8	PHG 3V750	4 064		160,0	25	23	PHG 8V1600	
	2 032	80,0	9	8	8	PHG 3V800	4 318		170,0	25	23	PHG 8V1700	
	2 159	85,0	9	8	8	PHG 3V850	4 572		180,0	25	23	PHG 8V1800	
	2 286	90,0	9	8	8	PHG 3V900	4 826		190,0	25	23	PHG 8V1900	
	2 413	95,0	9	8	8	PHG 3V950	5 080		200,0	25	23	PHG 8V2000	
	2 540	100,0	9	8	8	PHG 3V1000	5 385		212,0	25	23	PHG 8V2120	
	2 692	106,0	9	8	8	PHG 3V1060	5 690		224,0	25	23	PHG 8V2240	
	2 845	112,0	9	8	8	PHG 3V1120	5 994	236,0	25	23	PHG 8V2360		
	2 997	118,0	9	8	8	PHG 3V1180	6 350	250,0	25	23	PHG 8V2500		
	3 175	125,0	9	8	8	PHG 3V1250	6 731	265,0	25	23	PHG 8V2650		
	3 353	132,0	9	8	8	PHG 3V1320	7 112	280,0	25	23	PHG 8V2800		
3 556	140,0	9	8	8	PHG 3V1400	7 620	300,0	25	23	PHG 8V3000			
5V/15N	1 346	53,0	15	13	13	PHG 5V530	8 001	315,0	25	23	PHG 8V3150		
	1 422	56,0	15	13	13	PHG 5V560	8 509	335,0	25	23	PHG 8V3350		
	1 524	60,0	15	13	13	PHG 5V600	9 017	355,0	25	23	PHG 8V3550		
	1 600	63,0	15	13	13	PHG 5V630	9 525	375,0	25	23	PHG 8V3750		
	1 702	67,0	15	13	13	PHG 5V670	10 160	400,0	25	23	PHG 8V4000		
	1 803	71,0	15	13	13	PHG 5V710	10 795	425,0	25	23	PHG 8V4250		
	1 905	75,0	15	13	13	PHG 5V750	11 430	450,0	25	23	PHG 8V4500		
	2 032	80,0	15	13	13	PHG 5V800	12 065	475,0	25	23	PHG 8V4750		
	2 159	85,0	15	13	13	PHG 5V850	12 700	500,0	25	23	PHG 8V5000		
	2 286	90,0	15	13	13	PHG 5V900							
	2 413	95,0	15	13	13	PHG 5V950							
	2 540	100,0	15	13	13	PHG 5V1000							
	2 692	106,0	15	13	13	PHG 5V1060							
	2 845	112,0	15	13	13	PHG 5V1120							
	2 997	118,0	15	13	13	PHG 5V1180							
	3 175	125,0	15	13	13	PHG 5V1250							
	3 353	132,0	15	13	13	PHG 5V1320							
	3 556	140,0	15	13	13	PHG 5V1400							
	3 810	150,0	15	13	13	PHG 5V1500							
	4 064	160,0	15	13	13	PHG 5V1600							
	4 318	170,0	15	13	13	PHG 5V1700							
	4 572	180,0	15	13	13	PHG 5V1800							
	4 826	190,0	15	13	13	PHG 5V1900							

Non-standard lengths are also available.



Section	Dimensions			Designation	Section	Dimensions			Designation	Section	Dimensions			Designation						
	Pitch length	w	h			Pitch length	w	h			Pitch length	w	h							
-	mm			-	mm			-	mm			-								
XPZ	630	9,7	8	PHG XPZ630	XPZ	1 412	9,7	8	PHG XPZ1412	XPA	1 282	12,7	10	PHG XPA1282						
	637	9,7	8	PHG XPZ637		1 420	9,7	8	PHG XPZ1420		1 307	12,7	10	PHG XPA1307						
	662	9,7	8	PHG XPZ662		1 487	9,7	8	PHG XPZ1487		1 320	12,7	10	PHG XPA1320						
	670	9,7	8	PHG XPZ670		1 500	9,7	8	PHG XPZ1500		1 332	12,7	10	PHG XPA1332						
	687	9,7	8	PHG XPZ687		1 512	9,7	8	PHG XPZ1512		1 357	12,7	10	PHG XPA1357						
	710	9,7	8	PHG XPZ710		1 520	9,7	8	PHG XPZ1520		1 400	12,7	10	PHG XPA1400						
	737	9,7	8	PHG XPZ737		1 537	9,7	8	PHG XPZ1537		1 482	12,7	10	PHG XPA1482						
	750	9,7	8	PHG XPZ750		1 587	9,7	8	PHG XPZ1587		1 500	12,7	10	PHG XPA1500						
	760	9,7	8	PHG XPZ760		1 600	9,7	8	PHG XPZ1600		1 507	12,7	10	PHG XPA1507						
	762	9,7	8	PHG XPZ762		1 700	9,7	8	PHG XPZ1700		1 532	12,7	10	PHG XPA1532						
	772	9,7	8	PHG XPZ772		1 800	9,7	8	PHG XPZ1800		1 582	12,7	10	PHG XPA1582						
	787	9,7	8	PHG XPZ787		1 850	9,7	8	PHG XPZ1850		1 600	12,7	10	PHG XPA1600						
	800	9,7	8	PHG XPZ800		1 900	9,7	8	PHG XPZ1900		1 700	12,7	10	PHG XPA1700						
	812	9,7	8	PHG XPZ812		2 000	9,7	8	PHG XPZ2000		1 800	12,7	10	PHG XPA1800						
	837	9,7	8	PHG XPZ837		2 030	9,7	8	PHG XPZ2030		1 900	12,7	10	PHG XPA1900						
	850	9,7	8	PHG XPZ850		2 120	9,7	8	PHG XPZ2120		2 000	12,7	10	PHG XPA2000						
	862	9,7	8	PHG XPZ862		2 240	9,7	8	PHG XPZ2240		2 120	12,7	10	PHG XPA2120						
	875	9,7	8	PHG XPZ875		2 280	9,7	8	PHG XPZ2280		2 240	12,7	10	PHG XPA2240						
	887	9,7	8	PHG XPZ887		2 360	9,7	8	PHG XPZ2360		2 360	12,7	10	PHG XPA2360						
	900	9,7	8	PHG XPZ900		2 410	9,7	8	PHG XPZ2410		2 500	12,7	10	PHG XPA2500						
912	9,7	8	PHG XPZ912	2 500	9,7	8	PHG XPZ2500	2 650	12,7	10	PHG XPA2650									
925	9,7	8	PHG XPZ925	2 540	9,7	8	PHG XPZ2540	2 800	12,7	10	PHG XPA2800									
937	9,7	8	PHG XPZ937	2 650	9,7	8	PHG XPZ2650	3 000	12,7	10	PHG XPA3000									
950	9,7	8	PHG XPZ950	2 800	9,7	8	PHG XPZ2800	3 150	12,7	10	PHG XPA3150									
962	9,7	8	PHG XPZ962	3 000	9,7	8	PHG XPZ3000	3 350	12,7	10	PHG XPA3350									
987	9,7	8	PHG XPZ987	3 150	9,7	8	PHG XPZ3150	XPB	3 550	12,7	10	PHG XPA3550								
1 000	9,7	8	PHG XPZ1000	3 350	9,7	8	PHG XPZ3350		1 250	16,3	13	PHG XPB1250								
1 010	9,7	8	PHG XPZ1010	3 550	9,7	8	PHG XPZ3550		1 260	16,3	13	PHG XPB1260								
1 012	9,7	8	PHG XPZ1012	XPA	757	12,7	10		PHG XPA757	1 320	16,3	13	PHG XPB1320							
1 037	9,7	8	PHG XPZ1037		782	12,7	10		PHG XPA782	1 340	16,3	13	PHG XPB1340							
1 060	9,7	8	PHG XPZ1060		800	12,7	10		PHG XPA800	1 400	16,3	13	PHG XPB1400							
1 077	9,7	8	PHG XPZ1077		832	12,7	10		PHG XPA832	PHG XPB1410	1 410	16,3	13	PHG XPB1410						
1 080	9,7	8	PHG XPZ1080		850	12,7	10		PHG XPA850		1 500	16,3	13	PHG XPB1500						
1 087	9,7	8	PHG XPZ1087		PHG XPA857	857	12,7		10		PHG XPA857	1 590	16,3	13	PHG XPB1590					
1 112	9,7	8	PHG XPZ1112			882	12,7		10		PHG XPA882	1 600	16,3	13	PHG XPB1600					
1 120	9,7	8	PHG XPZ1120			900	12,7		10		PHG XPA900	1 690	16,3	13	PHG XPB1690					
1 137	9,7	8	PHG XPZ1137			907	12,7		10		PHG XPA907	PHG XPB1700	1 700	16,3	13	PHG XPB1700				
1 140	9,7	8	PHG XPZ1140			932	12,7		10		PHG XPA932		1 800	16,3	13	PHG XPB1800				
1 162	9,7	8	PHG XPZ1162			PHG XPA950	950		12,7		10		PHG XPA950	1 900	16,3	13	PHG XPB1900			
1 180	9,7	8	PHG XPZ1180				957		12,7		10		PHG XPA957	2 000	16,3	13	PHG XPB2000			
1 187	9,7	8	PHG XPZ1187				982		12,7		10		PHG XPA982	2 020	16,3	13	PHG XPB2020			
1 200	9,7	8	PHG XPZ1200				1 000		12,7		10		PHG XPA1000	PHG XPB2120	2 120	16,3	13	PHG XPB2120		
1 202	9,7	8	PHG XPZ1202				1 007		12,7		10		PHG XPA1007		2 150	16,3	13	PHG XPB2150		
1 212	9,7	8	PHG XPZ1212				PHG XPA1030		1 030		12,7		10		PHG XPA1030	2 240	16,3	13	PHG XPB2240	
1 237	9,7	8	PHG XPZ1237						1 060		12,7		10		PHG XPA1060	2 280	16,3	13	PHG XPB2280	
1 250	9,7	8	PHG XPZ1250					1 082	12,7		10		PHG XPA1082		2 360	16,3	13	PHG XPB2360		
1 262	9,7	8	PHG XPZ1262					1 107	12,7		10		PHG XPA1107		PHG XPB2500	2 500	16,3	13	PHG XPB2500	
1 270	9,7	8	PHG XPZ1270					1 120	12,7		10		PHG XPA1120			2 530	16,3	13	PHG XPB2530	
1 287	9,7	8	PHG XPZ1287	PHG XPA1157				1 157	12,7		10		PHG XPA1157			2 650	16,3	13	PHG XPB2650	
1 312	9,7	8	PHG XPZ1312					1 180	12,7		10		PHG XPA1180			2 680	16,3	13	PHG XPB2680	
1 320	9,7	8	PHG XPZ1320					1 207	12,7		10		PHG XPA1207			PHG XPB2800	2 800	16,3	13	PHG XPB2800
1 337	9,7	8	PHG XPZ1337					1 232	12,7	10	PHG XPA1232		PHG XPB3000				3 000	16,3	13	PHG XPB3000
1 340	9,7	8	PHG XPZ1340					1 250	12,7	10	PHG XPA1250						3 150	16,3	13	PHG XPB3150
1 362	9,7	8	PHG XPZ1362		PHG XPA1257			1 257	12,7	10	PHG XPA1257						3 350	16,3	13	PHG XPB3350
1 400	9,7	8	PHG XPZ1400																	

Non-standard lengths are also available.

SKF Cogged Raw Edge Wedge Belts

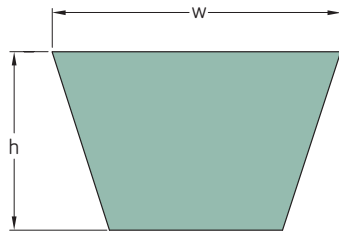
XPB | XPC

Section	Dimensions			Designation
	Pitch length	w	h	
–	mm	–	–	–
XPB	3 550	16,3	13	PHG XPB3550
XPC	2 000	22,0	18	PHG XPC2000
	2 120	22,0	18	PHG XPC2120
	2 240	22,0	18	PHG XPC2240
	2 360	22,0	18	PHG XPC2360
	2 500	22,0	18	PHG XPC2500
	2 650	22,0	18	PHG XPC2650
	2 800	22,0	18	PHG XPC2800
	3 000	22,0	18	PHG XPC3000
	3 150	22,0	18	PHG XPC3150
	3 350	22,0	18	PHG XPC3350
	3 550	22,0	18	PHG XPC3550

Non-standard lengths are also available.

SKF Cogged Raw Edge Classical Belts

X10/ZX | X13/AX



Section	Dimensions		Designation			
	Pitch length	Inside length	w	h		
	mm	in.	mm			
X10/ZX	405	387	15,25	10	6	PHG ZX15.25
	420	406	16,00	10	6	PHG ZX16
	465	445	17,50	10	6	PHG ZX17.5
	470	457	18,00	10	6	PHG ZX18
	495	483	19,00	10	6	PHG ZX19
	555	540	21,25	10	6	PHG ZX21.25
	585	565	22,25	10	6	PHG ZX22.25
	590	572	22,50	10	6	PHG ZX22.5
	600	584	23,00	10	6	PHG ZX23
	620	610	24,00	10	6	PHG ZX24
	650	635	25,00	10	6	PHG ZX25
	675	654	25,75	10	6	PHG ZX25.75
	680	660	26,00	10	6	PHG ZX26
	685	667	26,25	10	6	PHG ZX26.25
	690	673	26,50	10	6	PHG ZX26.5
	700	686	27,00	10	6	PHG ZX27
	710	692	27,25	10	6	PHG ZX27.25
	725	711	28,00	10	6	PHG ZX28
	740	724	28,50	10	6	PHG ZX28.5
750	737	29,00	10	6	PHG ZX29	
770	749	29,50	10	6	PHG ZX29.5	
775	756	29,75	10	6	PHG ZX29.75	
780	762	30,00	10	6	PHG ZX30	
800	787	31,00	10	6	PHG ZX31	
820	800	31,50	10	6	PHG ZX31.5	
840	813	32,00	10	6	PHG ZX32	
845	826	32,50	10	6	PHG ZX32.5	
850	838	33,00	10	6	PHG ZX33	
860	851	33,50	10	6	PHG ZX33.5	
875	864	34,00	10	6	PHG ZX34	
890	876	34,50	10	6	PHG ZX34.5	
900	889	35,00	10	6	PHG ZX35	
915	895	35,25	10	6	PHG ZX35.25	
920	902	35,50	10	6	PHG ZX35.5	
930	914	36,00	10	6	PHG ZX36	
940	927	36,50	10	6	PHG ZX36.5	
950	940	37,00	10	6	PHG ZX37	
965	953	37,50	10	6	PHG ZX37.5	
975	959	37,75	10	6	PHG ZX37.75	
980	965	38,00	10	6	PHG ZX38	
1 005	984	38,75	10	6	PHG ZX38.75	
1 025	1 003	39,50	10	6	PHG ZX39.5	
1 035	1 016	40,00	10	6	PHG ZX40	
1 050	1 035	40,75	10	6	PHG ZX40.75	
1 055	1 041	41,00	10	6	PHG ZX41	
1 075	1 054	41,50	10	6	PHG ZX41.5	
1 080	1 067	42,00	10	6	PHG ZX42	
1 105	1 092	43,00	10	6	PHG ZX43	
1 125	1 105	43,50	10	6	PHG ZX43.5	
1 130	1 118	44,00	10	6	PHG ZX44	
1 155	1 143	45,00	10	6	PHG ZX45	
1 170	1 149	45,25	10	6	PHG ZX45.25	
1 200	1 181	46,50	10	6	PHG ZX46.5	
1 230	1 207	47,50	10	6	PHG ZX47.5	
1 255	1 232	48,50	10	6	PHG ZX48.5	

Section	Dimensions		Designation				
	Pitch length	Inside length	w	h			
	mm	in.	mm				
X10/ZX	1 290	1 270	50,00	10	6	PHG ZX50	
	1 340	1 321	52,00	10	6	PHG ZX52	
	1 380	1 346	53,00	10	6	PHG ZX53	
	1 390	1 372	54,00	10	6	PHG ZX54	
	1 420	1 397	55,00	10	6	PHG ZX55	
	1 465	1 448	57,00	10	6	PHG ZX57	
	1 515	1 499	59,00	10	6	PHG ZX59	
	1 570	1 549	61,00	10	6	PHG ZX61	
	1 620	1 600	63,00	10	6	PHG ZX63	
	1 670	1 651	65,00	10	6	PHG ZX65	
	1 695	1 676	66,00	10	6	PHG ZX66	
	1 720	1 702	67,00	10	6	PHG ZX67	
	1 750	1 727	68,00	10	6	PHG ZX68	
	1 770	1 753	69,00	10	6	PHG ZX69	
	1 820	1 803	71,00	10	6	PHG ZX71	
	2 000	1 981	78,00	10	6	PHG ZX78	
	X13/AX	570	533	21,00	13	8	PHG AX21
		590	559	22,00	13	8	PHG AX22
		620	584	23,00	13	8	PHG AX23
630		597	23,50	13	8	PHG AX23.5	
640		610	24,00	13	8	PHG AX24	
670		635	25,00	13	8	PHG AX25	
700		660	26,00	13	8	PHG AX26	
710		673	26,50	13	8	PHG AX26.5	
720		686	27,00	13	8	PHG AX27	
740		711	28,00	13	8	PHG AX28	
770		737	29,00	13	8	PHG AX29	
790		762	30,00	13	8	PHG AX30	
820		787	31,00	13	8	PHG AX31	
850		813	32,00	13	8	PHG AX32	
870		838	33,00	13	8	PHG AX33	
890		864	34,00	13	8	PHG AX34	
920		889	35,00	13	8	PHG AX35	
930		902	35,50	13	8	PHG AX35.5	
950		914	36,00	13	8	PHG AX36	
970	940	37,00	13	8	PHG AX37		
980	953	37,50	13	8	PHG AX37.5		
990	965	38,00	13	8	PHG AX38		
1 020	991	39,00	13	8	PHG AX39		
1 050	1 016	40,00	13	8	PHG AX40		
1 070	1 041	41,00	13	8	PHG AX41		
1 085	1 054	41,50	13	8	PHG AX41.5		
1 100	1 067	42,00	13	8	PHG AX42		
1 130	1 092	43,00	13	8	PHG AX43		
1 150	1 118	44,00	13	8	PHG AX44		
1 180	1 143	45,00	13	8	PHG AX45		
1 190	1 156	45,50	13	8	PHG AX45.5		
1 200	1 168	46,00	13	8	PHG AX46		
1 230	1 194	47,00	13	8	PHG AX47		
1 250	1 219	48,00	13	8	PHG AX48		
1 280	1 245	49,00	13	8	PHG AX49		
1 300	1 270	50,00	13	8	PHG AX50		
1 330	1 295	51,00	13	8	PHG AX51		
1 360	1 321	52,00	13	8	PHG AX52		

Non-standard lengths are also available.

SKF Cogged Raw Edge Classical Belts

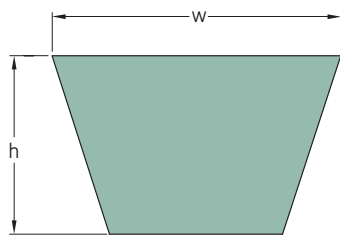
X13/AX | X17/BX | X22/CX

Section	Dimensions					Designation	Section	Dimensions					Designation		
	Pitch length	Inside length			w			h	Pitch length	Inside length				w	h
		mm	in.	mm						mm	mm	in.			
X13/AX	1 380	1 346	53,00	13	8	PHG AX53	X17/BX	1 195	1 156	45,50	17	11	PHG BX45.5		
	1 410	1 372	54,00	13	8	PHG AX54		1 210	1 168	46,00	17	11	PHG BX46		
	1 430	1 397	55,00	13	8	PHG AX55		1 225	1 181	46,50	17	11	PHG BX46.5		
	1 460	1 422	56,00	13	8	PHG AX56		1 240	1 194	47,00	17	11	PHG BX47		
	1 480	1 448	57,00	13	8	PHG AX57		1 260	1 219	48,00	17	11	PHG BX48		
	1 510	1 473	58,00	13	8	PHG AX58		1 290	1 245	49,00	17	11	PHG BX49		
	1 530	1 499	59,00	13	8	PHG AX59		1 310	1 270	50,00	17	11	PHG BX50		
	1 550	1 524	60,00	13	8	PHG AX60		1 340	1 295	51,00	17	11	PHG BX51		
	1 580	1 549	61,00	13	8	PHG AX61		1 370	1 321	52,00	17	11	PHG BX52		
	1 610	1 575	62,00	13	8	PHG AX62		1 390	1 346	53,00	17	11	PHG BX53		
	1 640	1 600	63,00	13	8	PHG AX63		1 410	1 372	54,00	17	11	PHG BX54		
	1 660	1 626	64,00	13	8	PHG AX64		1 440	1 397	55,00	17	11	PHG BX55		
	1 690	1 651	65,00	13	8	PHG AX65		1 460	1 422	56,00	17	11	PHG BX56		
	1 710	1 676	66,00	13	8	PHG AX66		1 490	1 448	57,00	17	11	PHG BX57		
	1 740	1 702	67,00	13	8	PHG AX67		1 510	1 473	58,00	17	11	PHG BX58		
	1 760	1 727	68,00	13	8	PHG AX68		1 540	1 499	59,00	17	11	PHG BX59		
	1 790	1 753	69,00	13	8	PHG AX69		1 560	1 524	60,00	17	11	PHG BX60		
	1 810	1 778	70,00	13	8	PHG AX70		1 590	1 549	61,00	17	11	PHG BX61		
	1 840	1 803	71,00	13	8	PHG AX71		1 620	1 575	62,00	17	11	PHG BX62		
	1 860	1 829	72,00	13	8	PHG AX72		1 640	1 600	63,00	17	11	PHG BX63		
	1 890	1 854	73,00	13	8	PHG AX73		1 670	1 626	64,00	17	11	PHG BX64		
	1 920	1 880	74,00	13	8	PHG AX74		1 690	1 651	65,00	17	11	PHG BX65		
	1 940	1 905	75,00	13	8	PHG AX75		1 720	1 676	66,00	17	11	PHG BX66		
	1 960	1 930	76,00	13	8	PHG AX76		1 740	1 702	67,00	17	11	PHG BX67		
	1 990	1 956	77,00	13	8	PHG AX77		1 760	1 727	68,00	17	11	PHG BX68		
	2 020	1 981	78,00	13	8	PHG AX78		1 800	1 753	69,00	17	11	PHG BX69		
	2 050	2 007	79,00	13	8	PHG AX79		1 820	1 778	70,00	17	11	PHG BX70		
	2 070	2 032	80,00	13	8	PHG AX80		1 850	1 803	71,00	17	11	PHG BX71		
	2 090	2 057	81,00	13	8	PHG AX81		1 870	1 829	72,00	17	11	PHG BX72		
	2 120	2 083	82,00	13	8	PHG AX82		1 900	1 854	73,00	17	11	PHG BX73		
	2 140	2 108	83,00	13	8	PHG AX83		1 920	1 880	74,00	17	11	PHG BX74		
	2 170	2 134	84,00	13	8	PHG AX84		1 950	1 905	75,00	17	11	PHG BX75		
	2 200	2 159	85,00	13	8	PHG AX85		1 970	1 930	76,00	17	11	PHG BX76		
	2 220	2 184	86,00	13	8	PHG AX86		2 000	1 956	77,00	17	11	PHG BX77		
	2 240	2 210	87,00	13	8	PHG AX87		2 020	1 981	78,00	17	11	PHG BX78		
	2 270	2 235	88,00	13	8	PHG AX88		2 050	2 007	79,00	17	11	PHG BX79		
	2 300	2 261	89,00	13	8	PHG AX89		2 070	2 032	80,00	17	11	PHG BX80		
	2 320	2 286	90,00	13	8	PHG AX90		2 100	2 057	81,00	17	11	PHG BX81		
2 350	2 311	91,00	13	8	PHG AX91	2 130	2 083	82,00	17	11	PHG BX82				
2 400	2 362	93,00	13	8	PHG AX93	2 150	2 108	83,00	17	11	PHG BX83				
2 420	2 388	94,00	13	8	PHG AX94	2 180	2 134	84,00	17	11	PHG BX84				
2 450	2 413	95,00	13	8	PHG AX95	2 200	2 159	85,00	17	11	PHG BX85				
2 480	2 438	96,00	13	8	PHG AX96	2 230	2 184	86,00	17	11	PHG BX86				
2 500	2 464	97,00	13	8	PHG AX97	2 250	2 210	87,00	17	11	PHG BX87				
2 520	2 489	98,00	13	8	PHG AX98	2 280	2 235	88,00	17	11	PHG BX88				
2 570	2 540	100,00	13	8	PHG AX100	2 300	2 261	89,00	17	11	PHG BX89				
2 650	2 616	103,00	13	8	PHG AX103	2 330	2 286	90,00	17	11	PHG BX90				
2 680	2 642	104,00	13	8	PHG AX104	2 350	2 311	91,00	17	11	PHG BX91				
2 700	2 667	105,00	13	8	PHG AX105	2 380	2 337	92,00	17	11	PHG BX92				
2 830	2 794	110,00	13	8	PHG AX110	2 400	2 362	93,00	17	11	PHG BX93				
2 880	2 845	112,00	13	8	PHG AX112	2 420	2 388	94,00	17	11	PHG BX94				
3 030	2 997	118,00	13	8	PHG AX118	2 450	2 413	95,00	17	11	PHG BX95				
3 190	3 150	124,00	13	8	PHG AX124	2 480	2 438	96,00	17	11	PHG BX96				
3 390	3 353	132,00	13	8	PHG AX132	2 500	2 464	97,00	17	11	PHG BX97				
X17/BX	624	584	23,00	17	11	PHG BX23	2 530	2 489	98,00	17	11	PHG BX98			
	675	635	25,00	17	11	PHG BX25	2 560	2 515	99,00	17	11	PHG BX99			
	700	660	26,00	17	11	PHG BX26	2 580	2 540	100,00	17	11	PHG BX100			
	750	711	28,00	17	11	PHG BX28	2 660	2 616	103,00	17	11	PHG BX103			
	770	737	29,00	17	11	PHG BX29	2 680	2 642	104,00	17	11	PHG BX104			
	800	762	30,00	17	11	PHG BX30	2 700	2 667	105,00	17	11	PHG BX105			
	830	787	31,00	17	11	PHG BX31	2 740	2 692	106,00	17	11	PHG BX106			
	860	813	32,00	17	11	PHG BX32	2 790	2 743	108,00	17	11	PHG BX108			
	880	838	33,00	17	11	PHG BX33	2 840	2 794	110,00	17	11	PHG BX110			
	910	864	34,00	17	11	PHG BX34	2 890	2 845	112,00	17	11	PHG BX112			
	920	876	34,50	17	11	PHG BX34.5	2 910	2 870	113,00	17	11	PHG BX113			
	930	889	35,00	17	11	PHG BX35	2 960	2 921	115,00	17	11	PHG BX115			
	960	914	36,00	17	11	PHG BX36	2 990	2 946	116,00	17	11	PHG BX116			
	980	940	37,00	17	11	PHG BX37	3 040	2 997	118,00	17	11	PHG BX118			
	1 000	965	38,00	17	11	PHG BX38	3 090	3 048	120,00	17	11	PHG BX120			
	1 030	991	39,00	17	11	PHG BX39	3 165	3 124	123,00	17	11	PHG BX123			
	1 060	1 016	40,00	17	11	PHG BX40	3 200	3 150	124,00	17	11	PHG BX124			
	1 080	1 041	41,00	17	11	PHG BX41	3 240	3 200	126,00	17	11	PHG BX126			
	1 100	1 067	42,00	17	11	PHG BX42	3 290	3 251	128,00	17	11	PHG BX128			
	1 130	1 092	43,00	17	11	PHG BX43	3 400	3 353	132,00	17	11	PHG BX132			
	1 160	1 118	44,00	17	11	PHG BX44	X22/CX	1 050	991	39,00	22	14	PHG CX39		
	1 180	1 143	45,00	17	11	PHG BX45		1 150	1 092	43,00	22	14	PHG CX43		

Non-standard lengths are also available.

SKF Cogged Raw Edge Classical Belts

X22/CX

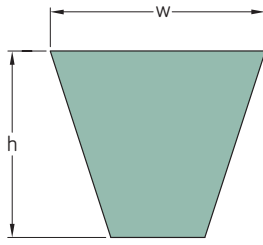


Section	Dimensions		Inside length			Designation
	Pitch length			w	h	
–	mm	in.		mm		–
X22/CX	1 300	1 245	49,00	22	14	PHG CX49
	1 350	1 295	51,00	22	14	PHG CX51
	1 370	1 321	52,00	22	14	PHG CX52
	1 450	1 397	55,00	22	14	PHG CX55
	1 560	1 499	59,00	22	14	PHG CX59
	1 580	1 524	60,00	22	14	PHG CX60
	1 630	1 575	62,00	22	14	PHG CX62
	1 760	1 702	67,00	22	14	PHG CX67
	1 780	1 727	68,00	22	14	PHG CX68
	1 860	1 803	71,00	22	14	PHG CX71
	1 880	1 829	72,00	22	14	PHG CX72
	1 950	1 905	75,00	22	14	PHG CX75
	2 040	1 981	78,00	22	14	PHG CX78
2 060	2 007	79,00	22	14	PHG CX79	
2 110	2 057	81,00	22	14	PHG CX81	
2 220	2 159	85,00	22	14	PHG CX85	
2 290	2 235	88,00	22	14	PHG CX88	
2 340	2 286	90,00	22	14	PHG CX90	
2 420	2 362	93,00	22	14	PHG CX93	
2 490	2 438	96,00	22	14	PHG CX96	
2 550	2 489	98,00	22	14	PHG CX98	
2 600	2 540	100,00	22	14	PHG CX100	
2 620	2 565	101,00	22	14	PHG CX101	
2 720	2 667	105,00	22	14	PHG CX105	
2 825	2 769	109,00	22	14	PHG CX109	
2 850	2 794	110,00	22	14	PHG CX110	
2 880	2 819	111,00	22	14	PHG CX111	
2 900	2 845	112,00	22	14	PHG CX112	
2 980	2 921	115,00	22	14	PHG CX115	
3 050	2 997	118,00	22	14	PHG CX118	
3 100	3 048	120,00	22	14	PHG CX120	
3 210	3 150	124,00	22	14	PHG CX124	
3 310	3 251	128,00	22	14	PHG CX128	
3 410	3 353	132,00	22	14	PHG CX132	

Non-standard lengths are also available.

SKF Cogged Raw Edge Narrow Wedge Belts

3VX/9NX | 5VX/15NX

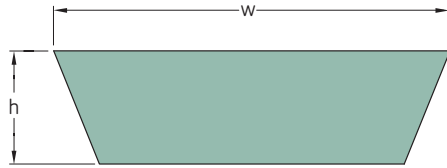


Section	Dimensions Outside length				Designation	Section	Dimensions Outside length				Designation	
			w	h					w	h		
-	mm	in.	mm		-	mm	in.	mm		-		
3VX/9NX	635	25,0	9	8	PHG 3VX250	5VX/15NX	4 572	180,0	15	13	PHG 5VX1800	
	673	26,5	9	8	PHG 3VX265		4 826	190,0	15	13	PHG 5VX1900	
	711	28,0	9	8	PHG 3VX280		5 080	200,0	15	13	PHG 5VX2000	
	762	30,0	9	8	PHG 3VX300							
	800	31,5	9	8	PHG 3VX315							
	851	33,5	9	8	PHG 3VX335							
	902	35,5	9	8	PHG 3VX355							
	953	37,5	9	8	PHG 3VX375							
	1 016	40,0	9	8	PHG 3VX400							
	1 080	42,5	9	8	PHG 3VX425							
	1 143	45,0	9	8	PHG 3VX450							
	1 207	47,5	9	8	PHG 3VX475							
	1 270	50,0	9	8	PHG 3VX500							
	1 346	53,0	9	8	PHG 3VX530							
	1 422	56,0	9	8	PHG 3VX560							
	1 524	60,0	9	8	PHG 3VX600							
	1 600	63,0	9	8	PHG 3VX630							
	1 702	67,0	9	8	PHG 3VX670							
	1 803	71,0	9	8	PHG 3VX710							
	1 905	75,0	9	8	PHG 3VX750							
	2 032	80,0	9	8	PHG 3VX800							
	2 159	85,0	9	8	PHG 3VX850							
	2 286	90,0	9	8	PHG 3VX900							
	2 413	95,0	9	8	PHG 3VX950							
	2 540	100,0	9	8	PHG 3VX1000							
	2 692	106,0	9	8	PHG 3VX1060							
	2 845	112,0	9	8	PHG 3VX1120							
	2 997	118,0	9	8	PHG 3VX1180							
	3 175	125,0	9	8	PHG 3VX1250							
	3 353	132,0	9	8	PHG 3VX1320							
3 556	140,0	9	8	PHG 3VX1400								
3 810	150,0	9	8	PHG 3VX1500								
5VX/15NX	1 270	50,0	15	13	PHG 5VX500							
	1 346	53,0	15	13	PHG 5VX530							
	1 422	56,0	15	13	PHG 5VX560							
	1 524	60,0	15	13	PHG 5VX600							
	1 600	63,0	15	13	PHG 5VX630							
	1 702	67,0	15	13	PHG 5VX670							
	1 803	71,0	15	13	PHG 5VX710							
	1 905	75,0	15	13	PHG 5VX750							
	2 032	80,0	15	13	PHG 5VX800							
	2 159	85,0	15	13	PHG 5VX850							
	2 286	90,0	15	13	PHG 5VX900							
	2 413	95,0	15	13	PHG 5VX950							
	2 540	100,0	15	13	PHG 5VX1000							
	2 692	106,0	15	13	PHG 5VX1060							
	2 845	112,0	15	13	PHG 5VX1120							
	2 997	118,0	15	13	PHG 5VX1180							
	3 175	125,0	15	13	PHG 5VX1250							
	3 353	132,0	15	13	PHG 5VX1320							
	3 556	140,0	15	13	PHG 5VX1400							
	3 810	150,0	15	13	PHG 5VX1500							
	4 064	160,0	15	13	PHG 5VX1600							
	4 318	170,0	15	13	PHG 5VX1700							

Non-standard lengths are also available.

Variable speed belts

VS



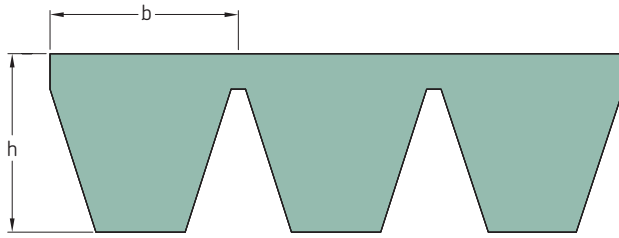
Section	Number of ribs	Dimensions		Inside length	Pitch length		Designation
		mm	in.		w	h	
VS	1	1 653	65,08	1 600	52	16	PHG VS52X16X1600
		1 978	77,87	1 925	52	16	PHG VS52X16X1925
		1 453	57,20	1 400	55	16	PHG VS55X16X1400
		1 553	61,14	1 500	55	16	PHG VS55X16X1500
		1 653	65,08	1 600	55	16	PHG VS55X16X1600
		1 753	69,02	1 700	55	16	PHG VS55X16X1700
		1 853	72,95	1 800	55	16	PHG VS55X16X1800
		1 772	69,76	1 706	65	20	PHG VS65X20X1706
		1 972	77,64	1 906	65	20	PHG VS65X20X1906
		1 666	65,59	1 600	70	18	PHG VS70X18X1600
		1 766	69,53	1 700	70	18	PHG VS70X18X1700
		1 866	73,46	1 800	70	18	PHG VS70X18X1800
		1 966	77,40	1 900	70	18	PHG VS70X18X1900
		2 066	81,34	2 000	70	18	PHG VS70X18X2000
		496	19,53	476	17	5	PHG VS17X5X476
		556	21,89	536	17	5	PHG VS17X5X536
		590	23,23	570	17	5	PHG VS17X5X570
		626	24,65	606	17	5	PHG VS17X5X606
		796	31,34	776	17	5	PHG VS17X5X776
		620	24,41	600	21	6	PHG VS21X6X600
		630	24,80	610	21	6	PHG VS21X6X610
		695	27,36	675	21	6	PHG VS21X6X675
		790	31,10	770	21	6	PHG VS21X6X770
		556	21,89	525	22	8	PHG VS22X8X525
		596	23,46	565	22	8	PHG VS22X8X565
		681	26,81	650	22	8	PHG VS22X8X650
		731	28,78	700	22	8	PHG VS22X8X700
		781	30,75	750	22	8	PHG VS22X8X750
		831	32,72	800	22	8	PHG VS22X8X800
		881	34,69	850	22	8	PHG VS22X8X850
		931	36,65	900	22	8	PHG VS22X8X900
		981	38,62	950	22	8	PHG VS22X8X950
		1 031	40,59	1 000	22	8	PHG VS22X8X1000
		686	27,01	655	26	8	PHG VS26X8X655
		703	27,68	672	26	8	PHG VS26X8X672
		781	30,75	750	26	8	PHG VS26X8X750
		793	31,22	762	26	8	PHG VS26X8X762
		831	32,72	800	26	8	PHG VS26X8X800
		893	35,16	862	26	8	PHG VS26X8X862
		993	39,09	962	26	8	PHG VS26X8X962
		631	24,84	600	28	8	PHG VS28X8X600
		681	26,81	650	28	8	PHG VS28X8X650
		731	28,78	700	28	8	PHG VS28X8X700
		781	30,75	750	28	8	PHG VS28X8X750
		831	32,72	800	28	8	PHG VS28X8X800
		881	34,69	850	28	8	PHG VS28X8X850
		931	36,65	900	28	8	PHG VS28X8X900
		981	38,62	950	28	8	PHG VS28X8X950
		1 031	40,59	1 000	28	8	PHG VS28X8X1000
		1 151	45,31	1 120	28	8	PHG VS28X8X1120
		692	27,24	650	30	10	PHG VS30X10X650
		842	33,15	800	30	10	PHG VS30X10X800
		892	35,12	850	30	10	PHG VS30X10X850
		942	37,09	900	30	10	PHG VS30X10X900
		992	39,06	950	30	10	PHG VS30X10X950

Section	Number of ribs	Dimensions		Inside length	Pitch length		Designation
		mm	in.		w	h	
VS	1	1 042	41,02	1 000	30	10	PHG VS30X10X1000
		1 162	45,75	1 120	30	10	PHG VS30X10X1120
		1 242	48,90	1 200	30	10	PHG VS30X10X1200
		1 542	60,71	1 500	30	10	PHG VS30X10X1500
		792	31,18	750	32	10	PHG VS32X10X750
		832	32,76	790	32	10	PHG VS32X10X790
		862	33,94	820	32	10	PHG VS32X10X820
		892	35,12	850	32	10	PHG VS32X10X850
		942	37,09	900	32	10	PHG VS32X10X900
		992	39,06	950	32	10	PHG VS32X10X950
		1 042	41,02	1 000	32	10	PHG VS32X10X1000
		1 115	43,90	1 073	32	10	PHG VS32X10X1073
		1 162	45,75	1 120	32	10	PHG VS32X10X1120
		1 222	48,11	1 180	32	10	PHG VS32X10X1180
		1 242	48,90	1 200	32	10	PHG VS32X10X1200
		702	27,64	660	37	10	PHG VS37X10X660
		842	33,15	800	37	10	PHG VS37X10X800
		892	35,12	850	37	10	PHG VS37X10X850
		942	37,09	900	37	10	PHG VS37X10X900
		992	39,06	950	37	10	PHG VS37X10X950
		1 042	41,02	1 000	37	10	PHG VS37X10X1000
		1 102	43,39	1 060	37	10	PHG VS37X10X1060
		1 162	45,75	1 120	37	10	PHG VS37X10X1120
		1 222	48,11	1 180	37	10	PHG VS37X10X1180
		1 442	56,77	1 400	37	10	PHG VS37X10X1400
		1 542	60,71	1 500	37	10	PHG VS37X10X1500
		1 642	64,65	1 600	37	10	PHG VS37X10X1600
		1 233	48,54	1 180	52	16	PHG VS52X16X1180
		1 303	51,30	1 250	52	16	PHG VS52X16X1250
		1 453	57,20	1 400	52	16	PHG VS52X16X1400
		1 578	62,13	1 525	52	16	PHG VS52X16X1525
		978	38,50	925	41	13	PHG VS41X13X925
		1 053	41,46	1 000	41	13	PHG VS41X13X1000
		1 093	43,03	1 040	41	13	PHG VS41X13X1040
		1 113	43,82	1 060	41	13	PHG VS41X13X1060
		1 173	46,18	1 120	41	13	PHG VS41X13X1120
		1 233	48,54	1 180	41	13	PHG VS41X13X1180
		1 303	51,30	1 250	41	13	PHG VS41X13X1250
		1 393	54,84	1 340	41	13	PHG VS41X13X1340
		1 493	58,78	1 440	41	13	PHG VS41X13X1440
		1 653	65,08	1 600	41	13	PHG VS41X13X1600
		1 793	70,59	1 740	41	13	PHG VS41X13X1740
		1 053	41,46	1 000	47	13	PHG VS47X13X1000
		1 113	43,82	1 060	47	13	PHG VS47X13X1060
		1 173	46,18	1 120	47	13	PHG VS47X13X1120
		1 233	48,54	1 180	47	13	PHG VS47X13X1180
		1 303	51,30	1 250	47	13	PHG VS47X13X1250
		1 373	54,06	1 320	47	13	PHG VS47X13X1320
		1 453	57,20	1 400	47	13	PHG VS47X13X1400
		1 553	61,14	1 500	47	13	PHG VS47X13X1500
		1 653	65,08	1 600	47	13	PHG VS47X13X1600
		1 753	69,02	1 700	47	13	PHG VS47X13X1700
		1 853	72,95	1 800	47	13	PHG VS47X13X1800

Non-standard lengths may also be available.

SKF Banded Wedge Belts

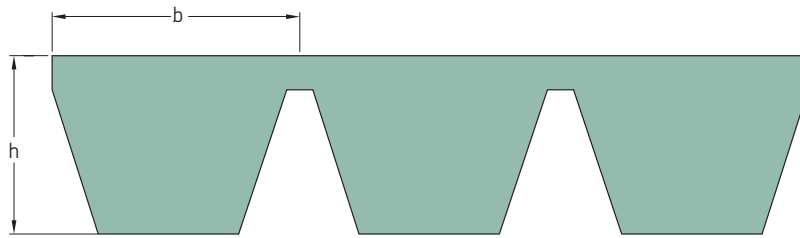
SPA | SPB | SPC



Section	Dimensions			Designation	Section	Dimensions			Designation
	Pitch length	b	h			Pitch length	b	h	
–	mm	–	–	–	mm	–	–	–	
SPA	1 250	12,8	12,0	PHG SPA1250X...	SPC	4 500	22,0	22,6	PHG SPC4500X...
	1 400	12,8	12,0	PHG SPA1400X...		4 750	22,0	22,6	PHG SPC4750X...
	1 500	12,8	12,0	PHG SPA1500X...		5 000	22,0	22,6	PHG SPC5000X...
	1 600	12,8	12,0	PHG SPA1600X...		5 300	22,0	22,6	PHG SPC5300X...
	1 700	12,8	12,0	PHG SPA1700X...		5 600	22,0	22,6	PHG SPC5600X...
	1 800	12,8	12,0	PHG SPA1800X...		6 000	22,0	22,6	PHG SPC6000X...
	1 900	12,8	12,0	PHG SPA1900X...		6 300	22,0	22,6	PHG SPC6300X...
	2 000	12,8	12,0	PHG SPA2000X...		6 700	22,0	22,6	PHG SPC6700X...
	2 120	12,8	12,0	PHG SPA2120X...		7 100	22,0	22,6	PHG SPC7100X...
	2 240	12,8	12,0	PHG SPA2240X...		7 500	22,0	22,6	PHG SPC7500X...
	2 360	12,8	12,0	PHG SPA2360X...		8 000	22,0	22,6	PHG SPC8000X...
	2 500	12,8	12,0	PHG SPA2500X...		8 500	22,0	22,6	PHG SPC8500X...
	2 650	12,8	12,0	PHG SPA2650X...		9 000	22,0	22,6	PHG SPC9000X...
	2 800	12,8	12,0	PHG SPA2800X...		9 500	22,0	22,6	PHG SPC9500X...
	3 000	12,8	12,0	PHG SPA3000X...		10 000	22,0	22,6	PHG SPC10000X...
	3 150	12,8	12,0	PHG SPA3150X...		10 600	22,0	22,6	PHG SPC10600X...
	3 350	12,8	12,0	PHG SPA3350X...		11 200	22,0	22,6	PHG SPC11200X...
	3 550	12,8	12,0	PHG SPA3550X...		11 800	22,0	22,6	PHG SPC11800X...
	3 750	12,8	12,0	PHG SPA3750X...		12 500	22,0	22,6	PHG SPC12500X...
	4 000	12,8	12,0	PHG SPA4000X...					
4 250	12,8	12,0	PHG SPA4250X...						
4 500	12,8	12,0	PHG SPA4500X...						
SPB	2 000	16,5	15,6	PHG SPB2000X...					
	2 120	16,5	15,6	PHG SPB2120X...					
	2 240	16,5	15,6	PHG SPB2240X...					
	2 360	16,5	15,6	PHG SPB2360X...					
	2 500	16,5	15,6	PHG SPB2500X...					
	2 650	16,5	15,6	PHG SPB2650X...					
	2 800	16,5	15,6	PHG SPB2800X...					
	3 000	16,5	15,6	PHG SPB3000X...					
	3 150	16,5	15,6	PHG SPB3150X...					
	3 350	16,5	15,6	PHG SPB3350X...					
	3 550	16,5	15,6	PHG SPB3550X...					
	3 750	16,5	15,6	PHG SPB3750X...					
	4 000	16,5	15,6	PHG SPB4000X...					
	4 250	16,5	15,6	PHG SPB4250X...					
	4 500	16,5	15,6	PHG SPB4500X...					
	4 750	16,5	15,6	PHG SPB4750X...					
	5 000	16,5	15,6	PHG SPB5000X...					
	5 300	16,5	15,6	PHG SPB5300X...					
	5 600	16,5	15,6	PHG SPB5600X...					
	6 000	16,5	15,6	PHG SPB6000X...					
6 300	16,5	15,6	PHG SPB6300X...						
6 700	16,5	15,6	PHG SPB6700X...						
7 100	16,5	15,6	PHG SPB7100X...						
7 500	16,5	15,6	PHG SPB7500X...						
8 000	16,5	15,6	PHG SPB8000X...						
SPC	3 000	22,0	22,6	PHG SPC3000X...					
	3 150	22,0	22,6	PHG SPC3150X...					
	3 350	22,0	22,6	PHG SPC3350X...					
	3 550	22,0	22,6	PHG SPC3550X...					
	3 750	22,0	22,6	PHG SPC3750X...					
	4 000	22,0	22,6	PHG SPC4000X...					
	4 250	22,0	22,6	PHG SPC4250X...					

Non-standard lengths are also available.
To complete designation, add number of bands. For example PHG SPC8000X4.

SKF Banded Classical Belts
13/A | 17/B | 22/C | 32/D



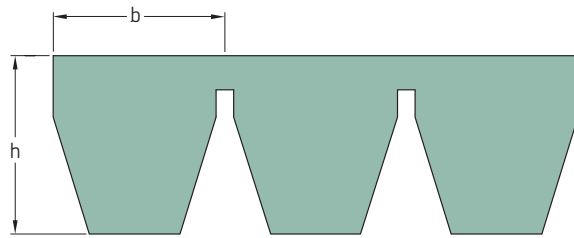
Section	Dimensions		Designation		
	Pitch length	Inside length	b	h	
–	mm	in.	mm	–	
13/A	1 230	47,0	13	9,9	PHG A47X...
	1 330	51,0	13	9,9	PHG A51X...
	1 460	56,0	13	9,9	PHG A56X...
	1 480	57,0	13	9,9	PHG A57X...
	1 530	59,0	13	9,9	PHG A59X...
	1 660	64,0	13	9,9	PHG A64X...
	1 740	67,0	13	9,9	PHG A67X...
	1 840	71,0	13	9,9	PHG A71X...
	1 940	75,0	13	9,9	PHG A75X...
	2 050	79,0	13	9,9	PHG A79X...
	2 270	88,0	13	9,9	PHG A88X...
	2 520	98,0	13	9,9	PHG A98X...
2 570	100,0	13	9,9	PHG A100X...	
2 680	104,0	13	9,9	PHG A104X...	
2 880	112,0	13	9,9	PHG A112X...	
17/B	3 080	120,0	13	9,9	PHG A120X...
	3 290	128,0	13	9,9	PHG A128X...
	3 690	144,0	13	9,9	PHG A144X...
	4 043	158,0	13	9,9	PHG A158X...
	4 270	167,0	13	9,9	PHG A167X...
	4 780	187,0	13	9,9	PHG A187X...
	1 240	47,0	17	13,0	PHG B47X...
	1 340	51,0	17	13,0	PHG B51X...
	1 440	55,0	17	13,0	PHG B55X...
	1 540	59,0	17	13,0	PHG B59X...
	1 590	61,0	17	13,0	PHG B61X...
	1 640	63,0	17	13,0	PHG B63X...
1 670	64,0	17	13,0	PHG B64X...	
1 740	67,0	17	13,0	PHG B67X...	
1 850	71,0	17	13,0	PHG B71X...	
1 900	73,0	17	13,0	PHG B73X...	
1 950	75,0	17	13,0	PHG B75X...	
2 050	79,0	17	13,0	PHG B79X...	
2 150	83,0	17	13,0	PHG B83X...	
2 280	88,0	17	13,0	PHG B88X...	
2 350	91,0	17	13,0	PHG B91X...	
2 435	94,5	17	13,0	PHG B94.5X...	
2 530	98,0	17	13,0	PHG B98X...	
2 630	102,0	17	13,0	PHG B102X...	
2 740	106,0	17	13,0	PHG B106X...	
2 890	112,0	17	13,0	PHG B112X...	
3 040	118,0	17	13,0	PHG B118X...	
3 090	120,0	17	13,0	PHG B120X...	
3 290	128,0	17	13,0	PHG B128X...	
3 400	132,0	17	13,0	PHG B132X...	
3 600	140,0	17	13,0	PHG B140X...	
3 750	146,0	17	13,0	PHG B146X...	
3 800	148,0	17	13,0	PHG B148X...	
4 060	158,0	17	13,0	PHG B158X...	
4 280	167,0	17	13,0	PHG B167X...	
4 540	177,0	17	13,0	PHG B177X...	
4 800	187,0	17	13,0	PHG B187X...	
5 044	197,0	17	13,0	PHG B197X...	
5 340	208,0	17	13,0	PHG B208X...	

Section	Dimensions		Designation		
	Pitch length	Inside length	b	h	
–	mm	in.	mm	–	
17/B	5 630	220,0	17	13,0	PHG B220X...
22/C	2 340	90,0	22	16,2	PHG C90X...
	2 550	98,0	22	16,2	PHG C98X...
	2 800	108,0	22	16,2	PHG C108X...
	3 100	120,0	22	16,2	PHG C120X...
	3 310	128,0	22	16,2	PHG C128X...
	3 610	140,0	22	16,2	PHG C140X...
	3 760	146,0	22	16,2	PHG C146X...
	3 895	151,0	22	16,2	PHG C151X...
	4 300	167,0	22	16,2	PHG C167X...
	4 560	177,0	22	16,2	PHG C177X...
	4 810	187,0	22	16,2	PHG C187X...
	5 060	197,0	22	16,2	PHG C197X...
5 340	208,0	22	16,2	PHG C208X...	
5 640	220,0	22	16,2	PHG C220X...	
6 050	236,0	22	16,2	PHG C236X...	
32/D	6 360	248,0	22	16,2	PHG C248X...
	4 080	158,0	32	22,4	PHG D158X...
	4 190	162,0	32	22,4	PHG D162X...
	4 470	173,0	32	22,4	PHG D173X...
	4 650	180,0	32	22,4	PHG D180X...
	5 030	195,0	32	22,4	PHG D195X...
	5 400	210,0	32	22,4	PHG D210X...
	5 790	225,0	32	22,4	PHG D225X...
	6 170	240,0	32	22,4	PHG D240X...
	6 560	255,0	32	22,4	PHG D255X...
	6 940	270,0	32	22,4	PHG D270X...
	7 320	285,0	32	22,4	PHG D285X...
7 700	300,0	32	22,4	PHG D300X...	
8 080	315,0	32	22,4	PHG D315X...	
8 460	330,0	32	22,4	PHG D330X...	
8 840	345,0	32	22,4	PHG D345X...	
9 220	360,0	32	22,4	PHG D360X...	
9 980	390,0	32	22,4	PHG D390X...	
10 740	420,0	32	22,4	PHG D420X...	
11 505	450,0	32	22,4	PHG D450X...	
12 270	480,0	32	22,4	PHG D480X...	
13 790	540,0	32	22,4	PHG D540X...	

Non-standard lengths are also available.
To complete designation add number of bands. For example PHG D360X6.

SKF Banded Narrow Wedge Belts

3V/9J | 5V/15J | 8V/25J

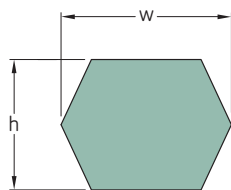


Section	Dimensions		Designation		Section	Dimensions		Designation			
	Outside length		b	h		Outside length		b	h		
-	mm	in.	mm	-	-	mm	in.	mm	-		
3V/9J	1 270	50	9	9,9	PHG 3V500X...	8V/25J	2 997	118	25	25,5	PHG 8V1180X...
	1 346	53	9	9,9	PHG 3V530X...		3 175	125	25	25,5	PHG 8V1250X...
	1 422	56	9	9,9	PHG 3V560X...		3 353	132	25	25,5	PHG 8V1320X...
	1 524	60	9	9,9	PHG 3V600X...		3 556	140	25	25,5	PHG 8V1400X...
	1 600	63	9	9,9	PHG 3V630X...		3 810	150	25	25,5	PHG 8V1500X...
	1 702	67	9	9,9	PHG 3V670X...		4 064	160	25	25,5	PHG 8V1600X...
	1 803	71	9	9,9	PHG 3V710X...		4 318	170	25	25,5	PHG 8V1700X...
	1 905	75	9	9,9	PHG 3V750X...		4 572	180	25	25,5	PHG 8V1800X...
	2 032	80	9	9,9	PHG 3V800X...		4 826	190	25	25,5	PHG 8V1900X...
	2 159	85	9	9,9	PHG 3V850X...		5 080	200	25	25,5	PHG 8V2000X...
	2 286	90	9	9,9	PHG 3V900X...		5 385	212	25	25,5	PHG 8V2120X...
	2 413	95	9	9,9	PHG 3V950X...		5 690	224	25	25,5	PHG 8V2240X...
	2 540	100	9	9,9	PHG 3V1000X...		5 994	236	25	25,5	PHG 8V2360X...
	2 692	106	9	9,9	PHG 3V1060X...		6 350	250	25	25,5	PHG 8V2500X...
	2 845	112	9	9,9	PHG 3V1120X...		6 731	265	25	25,5	PHG 8V2650X...
2 997	118	9	9,9	PHG 3V1180X...	7 112	280	25	25,5	PHG 8V2800X...		
3 175	125	9	9,9	PHG 3V1250X...	7 620	300	25	25,5	PHG 8V3000X...		
3 353	132	9	9,9	PHG 3V1320X...	8 001	315	25	25,5	PHG 8V3150X...		
3 556	140	9	9,9	PHG 3V1400X...	8 509	335	25	25,5	PHG 8V3350X...		
9 017	355	25	25,5						PHG 8V3550X...		
5V/15J	1 422	56	15	15,1	PHG 5V560X...	9 525	375	25	25,5	PHG 8V3750X...	
	1 524	60	15	15,1	PHG 5V600X...	10 160	400	25	25,5	PHG 8V4000X...	
	1 600	63	15	15,1	PHG 5V630X...	10 795	425	25	25,5	PHG 8V4250X...	
	1 702	67	15	15,1	PHG 5V670X...	11 430	450	25	25,5	PHG 8V4500X...	
	1 803	71	15	15,1	PHG 5V710X...	12 065	475	25	25,5	PHG 8V4750X...	
	1 905	75	15	15,1	PHG 5V750X...						
	2 032	80	15	15,1	PHG 5V800X...						
	2 159	85	15	15,1	PHG 5V850X...						
	2 286	90	15	15,1	PHG 5V900X...						
	2 413	95	15	15,1	PHG 5V950X...						
	2 540	100	15	15,1	PHG 5V1000X...						
	2 692	106	15	15,1	PHG 5V1060X...						
	2 845	112	15	15,1	PHG 5V1120X...						
	2 997	118	15	15,1	PHG 5V1180X...						
	3 175	125	15	15,1	PHG 5V1250X...						
3 353	132	15	15,1	PHG 5V1320X...							
3 556	140	15	15,1	PHG 5V1400X...							
3 810	150	15	15,1	PHG 5V1500X...							
4 064	160	15	15,1	PHG 5V1600X...							
4 318	170	15	15,1	PHG 5V1700X...							
4 572	180	15	15,1	PHG 5V1800X...							
4 826	190	15	15,1	PHG 5V1900X...							
5 080	200	15	15,1	PHG 5V2000X...							
5 385	212	15	15,1	PHG 5V2120X...							
5 690	224	15	15,1	PHG 5V2240X...							
5 994	236	15	15,1	PHG 5V2360X...							
6 350	250	15	15,1	PHG 5V2500X...							
6 731	265	15	15,1	PHG 5V2650X...							
7 112	280	15	15,1	PHG 5V2800X...							
7 620	300	15	15,1	PHG 5V3000X...							
8 001	315	15	15,1	PHG 5V3150X...							
8 509	335	15	15,1	PHG 5V3350X...							
8V/25J	2 540	100	25	25,5	PHG 8V1000X...						
	2 692	106	25	25,5	PHG 8V1060X...						
	2 845	112	25	25,5	PHG 8V1120X...						

Non-standard lengths are also available.
To complete designation add number of bands. For example PHG 8V3350X3.

SKF Double Classical (Hex) Belts

AA/HAA | BB/HBB | CC/HCC

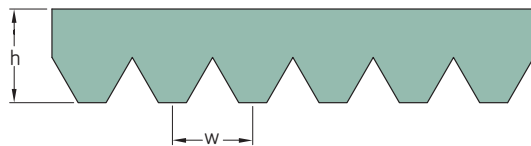


Section	Dimensions				Designation
	Pitch length	Inside length	w	h	
	mm	in.	mm		
AA/HAA	2 000	77	13	10	PHG AA77
	2 032	78	13	10	PHG AA78
	2 370	91	13	10	PHG AA91
	2 500	96	13	10	PHG AA96
	2 650	102	13	10	PHG AA102
	2 667	103	13	10	PHG AA103
	2 800	108	13	10	PHG AA108
	3 300	128	13	10	PHG AA128
	3 920	152	13	10	PHG AA152
	BB/HBB	1 980	75	17	13
2 180		83	17	13	PHG BB83
2 300		88	17	13	PHG BB88
2 370		90	17	13	PHG BB90
2 500		95	17	13	PHG BB95
2 540		97	17	13	PHG BB97
2 600		99	17	13	PHG BB99
2 650		101	17	13	PHG BB101
2 740		105	17	13	PHG BB105
2 800		107	17	13	PHG BB107
2 850		109	17	13	PHG BB109
2 920		112	17	13	PHG BB112
3 000		115	17	13	PHG BB115
3 030		116	17	13	PHG BB116
3 150		121	17	13	PHG BB121
3 250		125	17	13	PHG BB125
3 280		126	17	13	PHG BB126
3 325		128	17	13	PHG BB128
3 390		131	17	13	PHG BB131
3 450		133	17	13	PHG BB133
3 500		135	17	13	PHG BB135
3 550		137	17	13	PHG BB137
3 730		144	17	13	PHG BB144
3 750		145	17	13	PHG BB145
4 010		155	17	13	PHG BB155
4 040		156	17	13	PHG BB156
4 200		162	17	13	PHG BB162
4 470		173	17	13	PHG BB173
4 500		174	17	13	PHG BB174
4 750		184	17	13	PHG BB184
CC/HCC	2 280	86	22	17	PHG CC86
	2 500	94	22	17	PHG CC94
	2 800	106	22	17	PHG CC106
	3 200	122	22	17	PHG CC122
	3 310	126	22	17	PHG CC126
	3 765	144	22	17	PHG CC144
	4 000	153	22	17	PHG CC153
	4 216	162	22	17	PHG CC162
	4 300	165	22	17	PHG CC165
	4 500	173	22	17	PHG CC173
	5 000	193	22	17	PHG CC193
	5 300	204	22	17	PHG CC204
	5 340	206	22	17	PHG CC206
	5 750	224	22	17	PHG CC224

Non-standard lengths are also available.

SKF Ribbed Belts

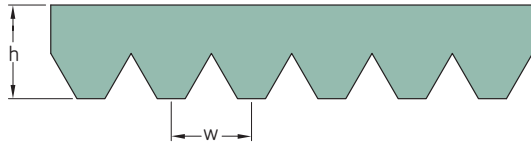
PH | PJ | PK



Section	Dimensions		Designation		
	Effective length		w	h	
–	mm	in.	mm	–	
PH	600	23,6	1,60	2,50	PHG ...PH600
	690	27,2	1,60	2,50	PHG ...PH690
	760	29,9	1,60	2,50	PHG ...PH760
	810	31,9	1,60	2,50	PHG ...PH810
	850	33,5	1,60	2,50	PHG ...PH850
	865	34,1	1,60	2,50	PHG ...PH865
	880	34,6	1,60	2,50	PHG ...PH880
	955	37,6	1,60	2,50	PHG ...PH955
	965	38,0	1,60	2,50	PHG ...PH965
	975	38,4	1,60	2,50	PHG ...PH975
	990	39,0	1,60	2,50	PHG ...PH990
	1 010	39,8	1,60	2,50	PHG ...PH1010
	1 080	42,5	1,60	2,50	PHG ...PH1080
	1 090	42,9	1,60	2,50	PHG ...PH1090
	1 095	43,1	1,60	2,50	PHG ...PH1095
PJ	1 160	45,7	1,60	2,50	PHG ...PH1160
	1 200	47,2	1,60	2,50	PHG ...PH1200
	1 220	48,0	1,60	2,50	PHG ...PH1220
	1 230	48,4	1,60	2,50	PHG ...PH1230
	1 240	48,8	1,60	2,50	PHG ...PH1240
	1 260	49,6	1,60	2,50	PHG ...PH1260
	1 270	50,0	1,60	2,50	PHG ...PH1270
	1 285	50,6	1,60	2,50	PHG ...PH1285
	1 300	51,2	1,60	2,50	PHG ...PH1300
	1 305	51,4	1,60	2,50	PHG ...PH1305
	1 320	52,0	1,60	2,50	PHG ...PH1320
	1 475	58,1	1,60	2,50	PHG ...PH1475
	1 600	63,0	1,60	2,50	PHG ...PH1600
	540	21,3	2,34	3,50	PHG ...PJ540
	550	21,7	2,34	3,50	PHG ...PJ550
580	22,8	2,34	3,50	PHG ...PJ580	
610	24,0	2,34	3,50	PHG ...PJ610	
660	26,0	2,34	3,50	PHG ...PJ660	
710	28,0	2,34	3,50	PHG ...PJ710	
720	28,3	2,34	3,50	PHG ...PJ720	
760	29,9	2,34	3,50	PHG ...PJ760	
810	31,9	2,34	3,50	PHG ...PJ810	
830	32,7	2,34	3,50	PHG ...PJ830	
860	33,9	2,34	3,50	PHG ...PJ860	
910	35,8	2,34	3,50	PHG ...PJ910	
955	37,6	2,34	3,50	PHG ...PJ955	
965	38,0	2,34	3,50	PHG ...PJ965	
1 010	39,8	2,34	3,50	PHG ...PJ1010	
1 090	42,9	2,34	3,50	PHG ...PJ1090	
1 105	43,5	2,34	3,50	PHG ...PJ1105	
1 110	43,7	2,34	3,50	PHG ...PJ1110	
1 120	44,1	2,34	3,50	PHG ...PJ1120	
1 130	44,5	2,34	3,50	PHG ...PJ1130	
1 150	45,3	2,34	3,50	PHG ...PJ1150	
1 160	45,7	2,34	3,50	PHG ...PJ1160	
1 190	46,9	2,34	3,50	PHG ...PJ1190	
1 200	47,3	2,34	3,50	PHG ...PJ1200	
1 220	48,0	2,34	3,50	PHG ...PJ1220	
1 240	48,8	2,34	3,50	PHG ...PJ1240	

Section	Dimensions		Designation		
	Effective length		w	h	
–	mm	in.	mm	–	
PJ	1 270	50,0	2,34	3,50	PHG ...PJ1270
	1 285	50,6	2,34	3,50	PHG ...PJ1285
	1 300	51,2	2,34	3,50	PHG ...PJ1300
	1 305	51,4	2,34	3,50	PHG ...PJ1305
	1 310	51,6	2,34	3,50	PHG ...PJ1310
	1 320	52,0	2,34	3,50	PHG ...PJ1320
	1 330	52,4	2,34	3,50	PHG ...PJ1330
	1 355	53,4	2,34	3,50	PHG ...PJ1355
	1 370	53,9	2,34	3,50	PHG ...PJ1370
	1 390	54,7	2,34	3,50	PHG ...PJ1390
	1 420	55,9	2,34	3,50	PHG ...PJ1420
	1 430	56,3	2,34	3,50	PHG ...PJ1430
	1 475	58,1	2,34	3,50	PHG ...PJ1475
	1 540	60,6	2,34	3,50	PHG ...PJ1540
	1 600	63,0	2,34	3,50	PHG ...PJ1600
PK	1 650	65,0	2,34	3,50	PHG ...PJ1650
	1 660	65,4	2,34	3,50	PHG ...PJ1660
	1 750	68,9	2,34	3,50	PHG ...PJ1750
	1 780	70,0	2,34	3,50	PHG ...PJ1780
	1 850	72,8	2,34	3,50	PHG ...PJ1850
	1 895	74,6	2,34	3,50	PHG ...PJ1895
	1 910	75,2	2,34	3,50	PHG ...PJ1910
	1 915	75,4	2,34	3,50	PHG ...PJ1915
	1 930	76,0	2,34	3,50	PHG ...PJ1930
	1 950	76,8	2,34	3,50	PHG ...PJ1950
	1 965	77,4	2,34	3,50	PHG ...PJ1965
	1 980	78,0	2,34	3,50	PHG ...PJ1980
	1 990	78,3	2,34	3,50	PHG ...PJ1990
	2 080	81,9	2,34	3,50	PHG ...PJ2080
	2 100	82,7	2,34	3,50	PHG ...PJ2100
2 155	84,8	2,34	3,50	PHG ...PJ2155	
2 210	87,0	2,34	3,50	PHG ...PJ2210	
2 330	91,7	2,34	3,50	PHG ...PJ2330	
2 480	97,6	2,34	3,50	PHG ...PJ2480	
575	22,6	3,56	5,50	PHG ...PK575	
600	23,6	3,56	5,50	PHG ...PK600	
635	25,0	3,56	5,50	PHG ...PK635	
650	25,6	3,56	5,50	PHG ...PK650	
665	26,2	3,56	5,50	PHG ...PK665	
690	27,2	3,56	5,50	PHG ...PK690	
710	28,0	3,56	5,50	PHG ...PK710	
740	29,1	3,56	5,50	PHG ...PK740	
760	29,9	3,56	5,50	PHG ...PK760	
785	30,9	3,56	5,50	PHG ...PK785	
790	31,1	3,56	5,50	PHG ...PK790	
800	31,5	3,56	5,50	PHG ...PK800	
820	32,3	3,56	5,50	PHG ...PK820	
840	33,1	3,56	5,50	PHG ...PK840	
850	33,5	3,56	5,50	PHG ...PK850	
865	34,1	3,56	5,50	PHG ...PK865	
870	34,3	3,56	5,50	PHG ...PK870	
885	34,8	3,56	5,50	PHG ...PK885	
890	35,0	3,56	5,50	PHG ...PK890	
900	35,4	3,56	5,50	PHG ...PK900	

Non-standard lengths are also available.
To complete designation add number of ribs. For example PHG 4PJ1320.



Section	Dimensions		Designation		
	Effective length		w	h	
-	mm	in.	mm	-	
PK	910	35,8	3,56	5,50	PHG ...PK910
	925	36,4	3,56	5,50	PHG ...PK925
	940	37,0	3,56	5,50	PHG ...PK940
	945	37,2	3,56	5,50	PHG ...PK945
	950	37,4	3,56	5,50	PHG ...PK950
	960	37,8	3,56	5,50	PHG ...PK960
	970	38,2	3,56	5,50	PHG ...PK970
	980	38,6	3,56	5,50	PHG ...PK980
	990	39,0	3,56	5,50	PHG ...PK990
	1 000	39,4	3,56	5,50	PHG ...PK1000
1 010	39,8	3,56	5,50	PHG ...PK1010	
1 015	40,0	3,56	5,50	PHG ...PK1015	
1 020	40,2	3,56	5,50	PHG ...PK1020	
1 040	40,9	3,56	5,50	PHG ...PK1040	
1 050	41,3	3,56	5,50	PHG ...PK1050	
1 060	41,7	3,56	5,50	PHG ...PK1060	
1 075	42,3	3,56	5,50	PHG ...PK1075	
1 080	42,5	3,56	5,50	PHG ...PK1080	
1 090	42,9	3,56	5,50	PHG ...PK1090	
1 100	43,3	3,56	5,50	PHG ...PK1100	
1 120	44,1	3,56	5,50	PHG ...PK1120	
1 130	44,5	3,56	5,50	PHG ...PK1130	
1 140	44,9	3,56	5,50	PHG ...PK1140	
1 150	45,3	3,56	5,50	PHG ...PK1150	
1 160	45,7	3,56	5,50	PHG ...PK1160	
1 170	46,1	3,56	5,50	PHG ...PK1170	
1 180	46,5	3,56	5,50	PHG ...PK1180	
1 190	46,9	3,56	5,50	PHG ...PK1190	
1 200	47,3	3,56	5,50	PHG ...PK1200	
1 220	48,0	3,56	5,50	PHG ...PK1220	
1 240	48,8	3,56	5,50	PHG ...PK1240	
1 260	49,6	3,56	5,50	PHG ...PK1260	
1 280	50,4	3,56	5,50	PHG ...PK1280	
1 300	51,2	3,56	5,50	PHG ...PK1300	
1 320	52,0	3,56	5,50	PHG ...PK1320	
1 340	52,8	3,56	5,50	PHG ...PK1340	
1 360	53,5	3,56	5,50	PHG ...PK1360	
1 380	54,3	3,56	5,50	PHG ...PK1380	
1 400	55,1	3,56	5,50	PHG ...PK1400	
1 420	55,9	3,56	5,50	PHG ...PK1420	
1 440	56,7	3,56	5,50	PHG ...PK1440	
1 460	57,5	3,56	5,50	PHG ...PK1460	
1 480	58,3	3,56	5,50	PHG ...PK1480	
1 500	59,1	3,56	5,50	PHG ...PK1500	
1 520	59,8	3,56	5,50	PHG ...PK1520	
1 540	60,6	3,56	5,50	PHG ...PK1540	
1 560	61,4	3,56	5,50	PHG ...PK1560	
1 580	62,2	3,56	5,50	PHG ...PK1580	
1 600	63,0	3,56	5,50	PHG ...PK1600	
1 620	63,8	3,56	5,50	PHG ...PK1620	
1 640	64,6	3,56	5,50	PHG ...PK1640	
1 660	65,4	3,56	5,50	PHG ...PK1660	
1 680	66,1	3,56	5,50	PHG ...PK1680	
1 690	66,5	3,56	5,50	PHG ...PK1690	
1 710	67,3	3,56	5,50	PHG ...PK1710	

Section	Dimensions		Designation		
	Effective length		w	h	
-	mm	in.	mm	-	
PK	1 720	67,7	3,56	5,50	PHG ...PK1720
	1 770	69,7	3,56	5,50	PHG ...PK1770
	1 780	70,1	3,56	5,50	PHG ...PK1780
	1 800	70,9	3,56	5,50	PHG ...PK1800
	1 830	72,0	3,56	5,50	PHG ...PK1830
	1 865	73,4	3,56	5,50	PHG ...PK1865
	1 880	74,0	3,56	5,50	PHG ...PK1880
	1 900	74,8	3,56	5,50	PHG ...PK1900
	1 950	76,8	3,56	5,50	PHG ...PK1950
	1 980	78,0	3,56	5,50	PHG ...PK1980
2 020	79,5	3,56	5,50	PHG ...PK2020	
2 080	81,9	3,56	5,50	PHG ...PK2080	
2 100	82,7	3,56	5,50	PHG ...PK2100	
2 110	83,1	3,56	5,50	PHG ...PK2110	
2 130	83,9	3,56	5,50	PHG ...PK2130	
2 210	87,0	3,56	5,50	PHG ...PK2210	
2 230	87,8	3,56	5,50	PHG ...PK2230	
2 250	88,6	3,56	5,50	PHG ...PK2250	
2 300	90,6	3,56	5,50	PHG ...PK2300	
2 330	91,7	3,56	5,50	PHG ...PK2330	
2 420	95,3	3,56	5,50	PHG ...PK2420	
PL	1 075	42,5	4,70	7,00	PHG ...PL1075
	1 270	50,0	4,70	7,00	PHG ...PL1270
	1 333	52,5	4,70	7,00	PHG ...PL1333
	1 371	54,0	4,70	7,00	PHG ...PL1371
	1 397	55,0	4,70	7,00	PHG ...PL1397
	1 422	56,0	4,70	7,00	PHG ...PL1422
	1 562	61,5	4,70	7,00	PHG ...PL1562
	1 613	63,5	4,70	7,00	PHG ...PL1613
	1 664	65,5	4,70	7,00	PHG ...PL1664
	1 715	67,5	4,70	7,00	PHG ...PL1715
1 764	69,5	4,70	7,00	PHG ...PL1764	
1 803	71,0	4,70	7,00	PHG ...PL1803	
1 841	72,5	4,70	7,00	PHG ...PL1841	
1 943	76,5	4,70	7,00	PHG ...PL1943	
1 981	78,0	4,70	7,00	PHG ...PL1981	
2 020	79,5	4,70	7,00	PHG ...PL2020	
2 070	81,5	4,70	7,00	PHG ...PL2070	
2 096	82,5	4,70	7,00	PHG ...PL2096	
2 134	84,0	4,70	7,00	PHG ...PL2134	
2 197	86,5	4,70	7,00	PHG ...PL2197	
2 235	88,0	4,70	7,00	PHG ...PL2235	
2 324	91,5	4,70	7,00	PHG ...PL2324	
2 362	93,0	4,70	7,00	PHG ...PL2362	
2 476	97,5	4,70	7,00	PHG ...PL2476	
2 515	99,0	4,70	7,00	PHG ...PL2515	
2 705	106,5	4,70	7,00	PHG ...PL2705	
2 743	108,0	4,70	7,00	PHG ...PL2743	
2 845	112,0	4,70	7,00	PHG ...PL2845	
2 895	114,0	4,70	7,00	PHG ...PL2895	
2 921	115,0	4,70	7,00	PHG ...PL2921	
2 997	116,0	4,70	7,00	PHG ...PL2997	
3 086	121,5	4,70	7,00	PHG ...PL3086	
3 124	123,0	4,70	7,00	PHG ...PL3124	

Non-standard lengths are also available.
To complete designation add number of ribs. For example PHG 4PJ1320.

SKF Ribbed Belts

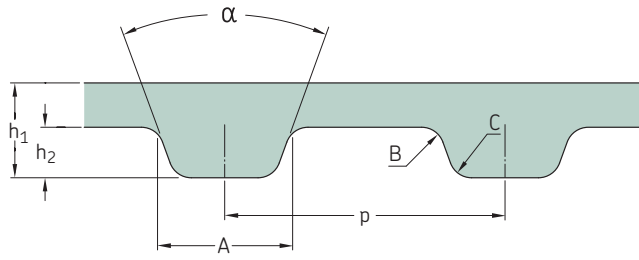
PL | PM

Section	Dimensions				Designation
	Effective length		w	h	
–	mm	in.	mm		–
PL	3 289	129,5	4,70	7,00	PHG ...PL3289
	3 327	131,0	4,70	7,00	PHG ...PL3327
	3 492	137,5	4,70	7,00	PHG ...PL3492
	3 696	145,5	4,70	7,00	PHG ...PL3696
	4 051	159,5	4,70	7,00	PHG ...PL4051
PM	2 693	106,0	9,40	13,00	PHG ...PM2693
	2 832	111,5	9,40	13,00	PHG ...PM2832
	2 921	115,0	9,40	13,00	PHG ...PM2921
	3 010	118,5	9,40	13,00	PHG ...PM3010
	3 124	123,0	9,40	13,00	PHG ...PM3124
	3 327	131,0	9,40	13,00	PHG ...PM3327
	3 531	139,0	9,40	13,00	PHG ...PM3531
	3 734	147,0	9,40	13,00	PHG ...PM3734
	4 089	161,0	9,40	13,00	PHG ...PM4089
	4 191	165,0	9,40	13,00	PHG ...PM4191
	4 470	176,0	9,40	13,00	PHG ...PM4470
	4 648	183,0	9,40	13,00	PHG ...PM4648

Non-standard lengths are also available.
To complete designation add number of ribs. For example PHG 4PJ1320.

SKF Classical Timing Belts

MXL



Section	Number of teeth	Dimensions		h_1	h_2	A	B	p	C	α	Designation
		Pitch length									
		in.	mm							°	
MXL	26	2,08	52,83	1,14	0,51	1,14	0,13	2,032	0,13	40	PHG 208-MXL-...
	27	2,16	54,86	1,14	0,51	1,14	0,13	2,032	0,13	40	PHG 216-MXL-...
	33	2,64	67,06	1,14	0,51	1,14	0,13	2,032	0,13	40	PHG 264-MXL-...
	35	2,80	71,12	1,14	0,51	1,14	0,13	2,032	0,13	40	PHG 280-MXL-...
	40	3,20	81,28	1,14	0,51	1,14	0,13	2,032	0,13	40	PHG 320-MXL-...
	43	3,44	87,38	1,14	0,51	1,14	0,13	2,032	0,13	40	PHG 344-MXL-...
	45	3,60	91,44	1,14	0,51	1,14	0,13	2,032	0,13	40	PHG 360-MXL-...
	49	3,92	99,57	1,14	0,51	1,14	0,13	2,032	0,13	40	PHG 392-MXL-...
	50	4,00	101,60	1,14	0,51	1,14	0,13	2,032	0,13	40	PHG 400-MXL-...
	51	4,08	103,63	1,14	0,51	1,14	0,13	2,032	0,13	40	PHG 408-MXL-...
	52	4,16	105,66	1,14	0,51	1,14	0,13	2,032	0,13	40	PHG 416-MXL-...
	53	4,24	107,70	1,14	0,51	1,14	0,13	2,032	0,13	40	PHG 424-MXL-...
	54	4,32	109,73	1,14	0,51	1,14	0,13	2,032	0,13	40	PHG 432-MXL-...
	55	4,40	111,76	1,14	0,51	1,14	0,13	2,032	0,13	40	PHG 440-MXL-...
	56	4,48	113,79	1,14	0,51	1,14	0,13	2,032	0,13	40	PHG 448-MXL-...
	58	4,64	117,86	1,14	0,51	1,14	0,13	2,032	0,13	40	PHG 464-MXL-...
	59	4,72	119,89	1,14	0,51	1,14	0,13	2,032	0,13	40	PHG 472-MXL-...
	60	4,80	121,92	1,14	0,51	1,14	0,13	2,032	0,13	40	PHG 480-MXL-...
	61	4,88	123,95	1,14	0,51	1,14	0,13	2,032	0,13	40	PHG 488-MXL-...
	62	4,96	125,98	1,14	0,51	1,14	0,13	2,032	0,13	40	PHG 496-MXL-...
	63	5,04	128,02	1,14	0,51	1,14	0,13	2,032	0,13	40	PHG 504-MXL-...
	64	5,12	130,05	1,14	0,51	1,14	0,13	2,032	0,13	40	PHG 512-MXL-...
	65	5,20	132,08	1,14	0,51	1,14	0,13	2,032	0,13	40	PHG 520-MXL-...
	66	5,28	134,11	1,14	0,51	1,14	0,13	2,032	0,13	40	PHG 528-MXL-...
	67	5,36	136,14	1,14	0,51	1,14	0,13	2,032	0,13	40	PHG 536-MXL-...
	68	5,44	138,18	1,14	0,51	1,14	0,13	2,032	0,13	40	PHG 544-MXL-...
	70	5,60	142,24	1,14	0,51	1,14	0,13	2,032	0,13	40	PHG 560-MXL-...
	71	5,68	144,27	1,14	0,51	1,14	0,13	2,032	0,13	40	PHG 568-MXL-...
	72	5,76	146,30	1,14	0,51	1,14	0,13	2,032	0,13	40	PHG 576-MXL-...
	73	5,84	148,34	1,14	0,51	1,14	0,13	2,032	0,13	40	PHG 584-MXL-...
	75	6,00	152,40	1,14	0,51	1,14	0,13	2,032	0,13	40	PHG 600-MXL-...
	76	6,08	154,43	1,14	0,51	1,14	0,13	2,032	0,13	40	PHG 608-MXL-...
	77	6,16	156,46	1,14	0,51	1,14	0,13	2,032	0,13	40	PHG 616-MXL-...
	78	6,24	158,50	1,14	0,51	1,14	0,13	2,032	0,13	40	PHG 624-MXL-...
	79	6,32	160,53	1,14	0,51	1,14	0,13	2,032	0,13	40	PHG 632-MXL-...
	80	6,40	162,56	1,14	0,51	1,14	0,13	2,032	0,13	40	PHG 640-MXL-...
	82	6,56	166,62	1,14	0,51	1,14	0,13	2,032	0,13	40	PHG 656-MXL-...
	83	6,64	168,66	1,14	0,51	1,14	0,13	2,032	0,13	40	PHG 664-MXL-...
	85	6,80	172,72	1,14	0,51	1,14	0,13	2,032	0,13	40	PHG 680-MXL-...
	87	6,96	176,78	1,14	0,51	1,14	0,13	2,032	0,13	40	PHG 696-MXL-...
	88	7,04	178,82	1,14	0,51	1,14	0,13	2,032	0,13	40	PHG 704-MXL-...
	89	7,12	180,85	1,14	0,51	1,14	0,13	2,032	0,13	40	PHG 712-MXL-...
	90	7,20	182,88	1,14	0,51	1,14	0,13	2,032	0,13	40	PHG 720-MXL-...
	92	7,36	186,94	1,14	0,51	1,14	0,13	2,032	0,13	40	PHG 736-MXL-...
	94	7,52	191,01	1,14	0,51	1,14	0,13	2,032	0,13	40	PHG 752-MXL-...
	95	7,60	193,04	1,14	0,51	1,14	0,13	2,032	0,13	40	PHG 760-MXL-...
	97	7,76	197,10	1,14	0,51	1,14	0,13	2,032	0,13	40	PHG 776-MXL-...
	98	7,84	199,14	1,14	0,51	1,14	0,13	2,032	0,13	40	PHG 784-MXL-...
	100	8,00	203,20	1,14	0,51	1,14	0,13	2,032	0,13	40	PHG 800-MXL-...
	102	8,16	207,26	1,14	0,51	1,14	0,13	2,032	0,13	40	PHG 816-MXL-...
	103	8,24	209,30	1,14	0,51	1,14	0,13	2,032	0,13	40	PHG 824-MXL-...
	105	8,40	213,36	1,14	0,51	1,14	0,13	2,032	0,13	40	PHG 840-MXL-...
	106	8,48	215,39	1,14	0,51	1,14	0,13	2,032	0,13	40	PHG 848-MXL-...
	108	8,64	219,46	1,14	0,51	1,14	0,13	2,032	0,13	40	PHG 864-MXL-...
	109	8,72	221,49	1,14	0,51	1,14	0,13	2,032	0,13	40	PHG 872-MXL-...

Non-standard lengths may also be available.

To complete designation, add three digits for belt width in 1/100ths of an inch; e.g. for a 1/4" width add 025 or for a 3/8" width add 037. Full sleeves are available in various widths. Please contact your SKF Authorized Distributor.

SKF Classical Timing Belts

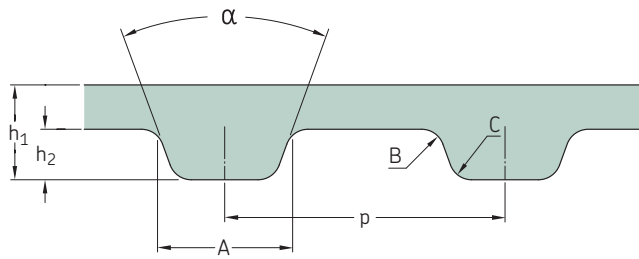
MXL

Section	Number of teeth	Dimensions		h ₁	h ₂	A	B	p	C	α	Designation
		Pitch length									
-	-	in.	mm	-	-	-	-	-	-	°	-
MXL	110	8,80	223,52	1,14	0,51	1,14	0,13	2,032	0,13	40	PHG 880-MXL-...
	112	8,96	227,58	1,14	0,51	1,14	0,13	2,032	0,13	40	PHG 896-MXL-...
	113	9,04	229,62	1,14	0,51	1,14	0,13	2,032	0,13	40	PHG 904-MXL-...
	114	9,12	231,65	1,14	0,51	1,14	0,13	2,032	0,13	40	PHG 912-MXL-...
	115	9,20	233,68	1,14	0,51	1,14	0,13	2,032	0,13	40	PHG 920-MXL-...
	116	9,28	235,71	1,14	0,51	1,14	0,13	2,032	0,13	40	PHG 928-MXL-...
	118	9,44	239,78	1,14	0,51	1,14	0,13	2,032	0,13	40	PHG 944-MXL-...
	120	9,60	243,84	1,14	0,51	1,14	0,13	2,032	0,13	40	PHG 960-MXL-...
	122	9,76	247,90	1,14	0,51	1,14	0,13	2,032	0,13	40	PHG 976-MXL-...
	123	9,84	249,94	1,14	0,51	1,14	0,13	2,032	0,13	40	PHG 984-MXL-...
	125	10,00	254,00	1,14	0,51	1,14	0,13	2,032	0,13	40	PHG 1000-MXL-...
	126	10,08	256,03	1,14	0,51	1,14	0,13	2,032	0,13	40	PHG 1008-MXL-...
	132	10,56	268,22	1,14	0,51	1,14	0,13	2,032	0,13	40	PHG 1056-MXL-...
	133	10,64	270,26	1,14	0,51	1,14	0,13	2,032	0,13	40	PHG 1064-MXL-...
	135	10,80	274,32	1,14	0,51	1,14	0,13	2,032	0,13	40	PHG 1080-MXL-...
	136	10,88	276,35	1,14	0,51	1,14	0,13	2,032	0,13	40	PHG 1088-MXL-...
	137	10,96	278,38	1,14	0,51	1,14	0,13	2,032	0,13	40	PHG 1096-MXL-...
	138	11,04	280,42	1,14	0,51	1,14	0,13	2,032	0,13	40	PHG 1104-MXL-...
	139	11,12	282,45	1,14	0,51	1,14	0,13	2,032	0,13	40	PHG 1112-MXL-...
	140	11,20	284,48	1,14	0,51	1,14	0,13	2,032	0,13	40	PHG 1120-MXL-...
	142	11,36	288,54	1,14	0,51	1,14	0,13	2,032	0,13	40	PHG 1136-MXL-...
	144	11,52	292,61	1,14	0,51	1,14	0,13	2,032	0,13	40	PHG 1152-MXL-...
	145	11,60	294,64	1,14	0,51	1,14	0,13	2,032	0,13	40	PHG 1160-MXL-...
	148	11,84	300,74	1,14	0,51	1,14	0,13	2,032	0,13	40	PHG 1184-MXL-...
	149	11,92	302,77	1,14	0,51	1,14	0,13	2,032	0,13	40	PHG 1192-MXL-...
	150	12,00	304,80	1,14	0,51	1,14	0,13	2,032	0,13	40	PHG 1200-MXL-...
	152	12,16	308,86	1,14	0,51	1,14	0,13	2,032	0,13	40	PHG 1216-MXL-...
	153	12,24	310,90	1,14	0,51	1,14	0,13	2,032	0,13	40	PHG 1224-MXL-...
	154	12,32	312,93	1,14	0,51	1,14	0,13	2,032	0,13	40	PHG 1232-MXL-...
	155	12,40	314,96	1,14	0,51	1,14	0,13	2,032	0,13	40	PHG 1240-MXL-...
	156	12,48	316,99	1,14	0,51	1,14	0,13	2,032	0,13	40	PHG 1248-MXL-...
	158	12,64	321,06	1,14	0,51	1,14	0,13	2,032	0,13	40	PHG 1264-MXL-...
	160	12,80	325,12	1,14	0,51	1,14	0,13	2,032	0,13	40	PHG 1280-MXL-...
	162	12,96	329,18	1,14	0,51	1,14	0,13	2,032	0,13	40	PHG 1296-MXL-...
	165	13,20	335,28	1,14	0,51	1,14	0,13	2,032	0,13	40	PHG 1320-MXL-...
	168	13,44	341,38	1,14	0,51	1,14	0,13	2,032	0,13	40	PHG 1344-MXL-...
	170	13,60	345,44	1,14	0,51	1,14	0,13	2,032	0,13	40	PHG 1360-MXL-...
	175	14,00	355,60	1,14	0,51	1,14	0,13	2,032	0,13	40	PHG 1400-MXL-...
	180	14,40	365,76	1,14	0,51	1,14	0,13	2,032	0,13	40	PHG 1440-MXL-...
	184	14,72	373,89	1,14	0,51	1,14	0,13	2,032	0,13	40	PHG 1472-MXL-...
190	15,20	386,08	1,14	0,51	1,14	0,13	2,032	0,13	40	PHG 1520-MXL-...	
192	15,36	390,14	1,14	0,51	1,14	0,13	2,032	0,13	40	PHG 1536-MXL-...	
194	15,52	394,21	1,14	0,51	1,14	0,13	2,032	0,13	40	PHG 1552-MXL-...	
195	15,60	396,24	1,14	0,51	1,14	0,13	2,032	0,13	40	PHG 1560-MXL-...	
200	16,00	406,40	1,14	0,51	1,14	0,13	2,032	0,13	40	PHG 1600-MXL-...	
206	16,48	418,59	1,14	0,51	1,14	0,13	2,032	0,13	40	PHG 1648-MXL-...	
210	16,80	426,72	1,14	0,51	1,14	0,13	2,032	0,13	40	PHG 1680-MXL-...	
212	16,96	430,78	1,14	0,51	1,14	0,13	2,032	0,13	40	PHG 1696-MXL-...	
221	17,68	449,07	1,14	0,51	1,14	0,13	2,032	0,13	40	PHG 1768-MXL-...	
225	18,00	457,20	1,14	0,51	1,14	0,13	2,032	0,13	40	PHG 1800-MXL-...	
228	18,20	462,28	1,14	0,51	1,14	0,13	2,032	0,13	40	PHG 1820-MXL-...	
232	18,56	471,42	1,14	0,51	1,14	0,13	2,032	0,13	40	PHG 1856-MXL-...	
236	18,88	479,55	1,14	0,51	1,14	0,13	2,032	0,13	40	PHG 1888-MXL-...	
239	19,12	485,65	1,14	0,51	1,14	0,13	2,032	0,13	40	PHG 1912-MXL-...	
240	19,20	487,68	1,14	0,51	1,14	0,13	2,032	0,13	40	PHG 1920-MXL-...	
249	19,92	505,97	1,14	0,51	1,14	0,13	2,032	0,13	40	PHG 1992-MXL-...	
250	20,00	508,00	1,14	0,51	1,14	0,13	2,032	0,13	40	PHG 2000-MXL-...	
256	20,48	520,19	1,14	0,51	1,14	0,13	2,032	0,13	40	PHG 2048-MXL-...	
265	21,20	538,48	1,14	0,51	1,14	0,13	2,032	0,13	40	PHG 2120-MXL-...	
273	21,84	554,74	1,14	0,51	1,14	0,13	2,032	0,13	40	PHG 2184-MXL-...	
276	22,08	560,83	1,14	0,51	1,14	0,13	2,032	0,13	40	PHG 2208-MXL-...	
280	22,40	568,96	1,14	0,51	1,14	0,13	2,032	0,13	40	PHG 2240-MXL-...	
290	23,20	589,28	1,14	0,51	1,14	0,13	2,032	0,13	40	PHG 2320-MXL-...	
295	23,60	599,44	1,14	0,51	1,14	0,13	2,032	0,13	40	PHG 2360-MXL-...	
298	23,84	605,54	1,14	0,51	1,14	0,13	2,032	0,13	40	PHG 2384-MXL-...	
300	24,00	609,60	1,14	0,51	1,14	0,13	2,032	0,13	40	PHG 2400-MXL-...	
305	24,40	619,76	1,14	0,51	1,14	0,13	2,032	0,13	40	PHG 2440-MXL-...	
312	24,96	633,98	1,14	0,51	1,14	0,13	2,032	0,13	40	PHG 2496-MXL-...	
318	25,44	646,18	1,14	0,51	1,14	0,13	2,032	0,13	40	PHG 2544-MXL-...	
320	25,60	650,24	1,14	0,51	1,14	0,13	2,032	0,13	40	PHG 2560-MXL-...	
328	26,24	666,50	1,14	0,51	1,14	0,13	2,032	0,13	40	PHG 2624-MXL-...	
336	26,88	682,75	1,14	0,51	1,14	0,13	2,032	0,13	40	PHG 2688-MXL-...	
347	27,76	705,10	1,14	0,51	1,14	0,13	2,032	0,13	40	PHG 2776-MXL-...	
362	28,96	735,58	1,14	0,51	1,14	0,13	2,032	0,13	40	PHG 2896-MXL-...	
378	30,24	768,10	1,14	0,51	1,14	0,13	2,032	0,13	40	PHG 3024-MXL-...	
400	32,00	812,80	1,14	0,51	1,14	0,13	2,032	0,13	40	PHG 3200-MXL-...	

Non-standard lengths may also be available.

To complete designation, add three digits for belt width in 1/100ths of an inch; e.g. for a 1/4" width add 025 or for a 3/8" width add 037.

Full sleeves are available in various widths. Please contact your SKF Authorized Distributor.



Section	Number of teeth	Dimensions									Designation
		Pitch length		h ₁	h ₂	A	B	p	C	α	
		in.	mm								
MXL	408	32,64	829,06	1,14	0,51	1,14	0,13	2,032	0,13	40	PHG 3264-MXL-...
	448	35,84	910,34	1,14	0,51	1,14	0,13	2,032	0,13	40	PHG 3584-MXL-...
	463	37,04	940,82	1,14	0,51	1,14	0,13	2,032	0,13	40	PHG 3704-MXL-...
	472	37,76	959,10	1,14	0,51	1,14	0,13	2,032	0,13	40	PHG 3776-MXL-...
	504	40,32	1 024,13	1,14	0,51	1,14	0,13	2,032	0,13	40	PHG 4032-MXL-...
	522	41,76	1 060,70	1,14	0,51	1,14	0,13	2,032	0,13	40	PHG 4176-MXL-...
	531	42,48	1 078,99	1,14	0,51	1,14	0,13	2,032	0,13	40	PHG 4248-MXL-...
	546	43,68	1 109,47	1,14	0,51	1,14	0,13	2,032	0,13	40	PHG 4368-MXL-...
	548	43,84	1 113,54	1,14	0,51	1,14	0,13	2,032	0,13	40	PHG 4384-MXL-...
	570	45,60	1 158,24	1,14	0,51	1,14	0,13	2,032	0,13	40	PHG 4560-MXL-...
	583	46,64	1 184,66	1,14	0,51	1,14	0,13	2,032	0,13	40	PHG 4664-MXL-...
	600	48,00	1 219,20	1,14	0,51	1,14	0,13	2,032	0,13	40	PHG 4800-MXL-...
	648	51,84	1 316,74	1,14	0,51	1,14	0,13	2,032	0,13	40	PHG 5184-MXL-...
	680	54,40	1 381,76	1,14	0,51	1,14	0,13	2,032	0,13	40	PHG 5440-MXL-...
	750	60,00	1 524,00	1,14	0,51	1,14	0,13	2,032	0,13	40	PHG 6000-MXL-...
	760	60,80	1 544,32	1,14	0,51	1,14	0,13	2,032	0,13	40	PHG 6080-MXL-...
	800	64,00	1 625,60	1,14	0,51	1,14	0,13	2,032	0,13	40	PHG 6400-MXL-...
	955	76,40	1 940,56	1,14	0,51	1,14	0,13	2,032	0,13	40	PHG 7640-MXL-...
	957	76,56	1 944,62	1,14	0,51	1,14	0,13	2,032	0,13	40	PHG 7656-MXL-...
	1 012	80,96	2 056,38	1,14	0,51	1,14	0,13	2,032	0,13	40	PHG 8096-MXL-...
	1 030	82,40	2 092,96	1,14	0,51	1,14	0,13	2,032	0,13	40	PHG 8240-MXL-...
	1 060	84,80	2 153,92	1,14	0,51	1,14	0,13	2,032	0,13	40	PHG 8480-MXL-...
	1 137	90,96	2 310,38	1,14	0,51	1,14	0,13	2,032	0,13	40	PHG 9096-MXL-...
	1 250	100,00	2 540,00	1,14	0,51	1,14	0,13	2,032	0,13	40	PHG 10000-MXL-...
	1 426	114,12	2 898,65	1,14	0,51	1,14	0,13	2,032	0,13	40	PHG 11412-MXL-...
	1 463	117,00	2 971,80	1,14	0,51	1,14	0,13	2,032	0,13	40	PHG 11700-MXL-...
	1 516	121,32	3 081,53	1,14	0,51	1,14	0,13	2,032	0,13	40	PHG 12132-MXL-...
	1 806	145,52	3 696,21	1,14	0,51	1,14	0,13	2,032	0,13	40	PHG 14552-MXL-...
	1 875	150,00	3 810,00	1,14	0,51	1,14	0,13	2,032	0,13	40	PHG 15000-MXL-...
	2 044	163,55	4 154,17	1,14	0,51	1,14	0,13	2,032	0,13	40	PHG 16355-MXL-...
XL	22	4,40	111,76	2,30	1,27	2,57	0,38	5,080	0,38	50	PHG 44-XL-...
	28	5,60	142,24	2,30	1,27	2,57	0,38	5,080	0,38	50	PHG 56-XL-...
	30	6,00	152,40	2,30	1,27	2,57	0,38	5,080	0,38	50	PHG 60-XL-...
	35	7,00	177,80	2,30	1,27	2,57	0,38	5,080	0,38	50	PHG 70-XL-...
	36	7,20	182,88	2,30	1,27	2,57	0,38	5,080	0,38	50	PHG 72-XL-...
	37	7,40	187,96	2,30	1,27	2,57	0,38	5,080	0,38	50	PHG 74-XL-...
	38	7,60	193,04	2,30	1,27	2,57	0,38	5,080	0,38	50	PHG 76-XL-...
	40	8,00	203,20	2,30	1,27	2,57	0,38	5,080	0,38	50	PHG 80-XL-...
	41	8,20	208,28	2,30	1,27	2,57	0,38	5,080	0,38	50	PHG 82-XL-...
	42	8,40	213,36	2,30	1,27	2,57	0,38	5,080	0,38	50	PHG 84-XL-...
	43	8,60	218,44	2,30	1,27	2,57	0,38	5,080	0,38	50	PHG 86-XL-...
	44	8,80	223,52	2,30	1,27	2,57	0,38	5,080	0,38	50	PHG 88-XL-...
	45	9,00	228,60	2,30	1,27	2,57	0,38	5,080	0,38	50	PHG 90-XL-...
	46	9,20	233,68	2,30	1,27	2,57	0,38	5,080	0,38	50	PHG 92-XL-...
	47	9,40	238,76	2,30	1,27	2,57	0,38	5,080	0,38	50	PHG 94-XL-...
	48	9,60	243,84	2,30	1,27	2,57	0,38	5,080	0,38	50	PHG 96-XL-...
	49	9,80	248,92	2,30	1,27	2,57	0,38	5,080	0,38	50	PHG 98-XL-...
	50	10,00	254,00	2,30	1,27	2,57	0,38	5,080	0,38	50	PHG 100-XL-...
	51	10,20	259,08	2,30	1,27	2,57	0,38	5,080	0,38	50	PHG 102-XL-...
	52	10,40	264,16	2,30	1,27	2,57	0,38	5,080	0,38	50	PHG 104-XL-...
	53	10,60	269,24	2,30	1,27	2,57	0,38	5,080	0,38	50	PHG 106-XL-...
	54	10,80	274,32	2,30	1,27	2,57	0,38	5,080	0,38	50	PHG 108-XL-...
	55	11,00	279,40	2,30	1,27	2,57	0,38	5,080	0,38	50	PHG 110-XL-...
	56	11,20	284,48	2,30	1,27	2,57	0,38	5,080	0,38	50	PHG 112-XL-...
	57	11,40	289,56	2,30	1,27	2,57	0,38	5,080	0,38	50	PHG 114-XL-...

Non-standard lengths may also be available.

To complete designation, add three digits for belt width in 1/100ths of an inch; e.g. for a 1/4" width add 025 or for a 3/8" width add 037. Full sleeves are available in various widths. Please contact your SKF Authorized Distributor.

SKF Classical Timing Belts

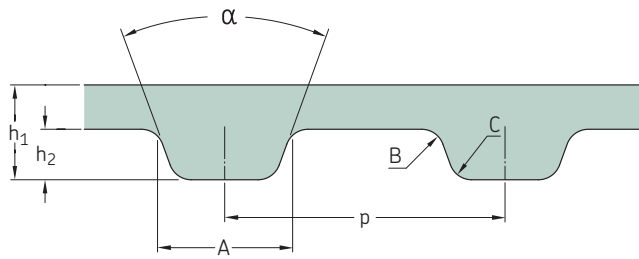
XL

Section	Number of teeth	Dimensions		h ₁	h ₂	A	B	p	C	α	Designation
		Pitch length									
		in.	mm							°	
XL	58	11,60	294,64	2,30	1,27	2,57	0,38	5,080	0,38	50	PHG 116-XL-...
	59	11,80	299,72	2,30	1,27	2,57	0,38	5,080	0,38	50	PHG 118-XL-...
	60	12,00	304,80	2,30	1,27	2,57	0,38	5,080	0,38	50	PHG 120-XL-...
	61	12,20	309,88	2,30	1,27	2,57	0,38	5,080	0,38	50	PHG 122-XL-...
	62	12,40	314,96	2,30	1,27	2,57	0,38	5,080	0,38	50	PHG 124-XL-...
	63	12,60	320,04	2,30	1,27	2,57	0,38	5,080	0,38	50	PHG 126-XL-...
	64	12,80	325,12	2,30	1,27	2,57	0,38	5,080	0,38	50	PHG 128-XL-...
	65	13,00	330,20	2,30	1,27	2,57	0,38	5,080	0,38	50	PHG 130-XL-...
	66	13,20	335,28	2,30	1,27	2,57	0,38	5,080	0,38	50	PHG 132-XL-...
	67	13,40	340,36	2,30	1,27	2,57	0,38	5,080	0,38	50	PHG 134-XL-...
	68	13,60	345,44	2,30	1,27	2,57	0,38	5,080	0,38	50	PHG 136-XL-...
	70	14,00	355,60	2,30	1,27	2,57	0,38	5,080	0,38	50	PHG 140-XL-...
	71	14,20	360,68	2,30	1,27	2,57	0,38	5,080	0,38	50	PHG 142-XL-...
	72	14,40	365,76	2,30	1,27	2,57	0,38	5,080	0,38	50	PHG 144-XL-...
	73	14,60	370,84	2,30	1,27	2,57	0,38	5,080	0,38	50	PHG 146-XL-...
	74	14,80	375,92	2,30	1,27	2,57	0,38	5,080	0,38	50	PHG 148-XL-...
	75	15,00	381,00	2,30	1,27	2,57	0,38	5,080	0,38	50	PHG 150-XL-...
	76	15,20	386,08	2,30	1,27	2,57	0,38	5,080	0,38	50	PHG 152-XL-...
	77	15,40	391,16	2,30	1,27	2,57	0,38	5,080	0,38	50	PHG 154-XL-...
	78	15,60	396,24	2,30	1,27	2,57	0,38	5,080	0,38	50	PHG 156-XL-...
	80	16,00	406,40	2,30	1,27	2,57	0,38	5,080	0,38	50	PHG 160-XL-...
	81	16,20	411,48	2,30	1,27	2,57	0,38	5,080	0,38	50	PHG 162-XL-...
	82	16,40	416,56	2,30	1,27	2,57	0,38	5,080	0,38	50	PHG 164-XL-...
	83	16,60	421,64	2,30	1,27	2,57	0,38	5,080	0,38	50	PHG 166-XL-...
	84	16,80	426,72	2,30	1,27	2,57	0,38	5,080	0,38	50	PHG 168-XL-...
	85	17,00	431,80	2,30	1,27	2,57	0,38	5,080	0,38	50	PHG 170-XL-...
	86	17,20	436,88	2,30	1,27	2,57	0,38	5,080	0,38	50	PHG 172-XL-...
	88	17,60	447,04	2,30	1,27	2,57	0,38	5,080	0,38	50	PHG 176-XL-...
	89	17,80	452,12	2,30	1,27	2,57	0,38	5,080	0,38	50	PHG 178-XL-...
	90	18,00	457,20	2,30	1,27	2,57	0,38	5,080	0,38	50	PHG 180-XL-...
	91	18,20	462,28	2,30	1,27	2,57	0,38	5,080	0,38	50	PHG 182-XL-...
	92	18,40	467,36	2,30	1,27	2,57	0,38	5,080	0,38	50	PHG 184-XL-...
	93	18,60	472,44	2,30	1,27	2,57	0,38	5,080	0,38	50	PHG 186-XL-...
	94	18,80	477,52	2,30	1,27	2,57	0,38	5,080	0,38	50	PHG 188-XL-...
	95	19,00	482,60	2,30	1,27	2,57	0,38	5,080	0,38	50	PHG 190-XL-...
	96	19,20	487,68	2,30	1,27	2,57	0,38	5,080	0,38	50	PHG 192-XL-...
	97	19,40	492,76	2,30	1,27	2,57	0,38	5,080	0,38	50	PHG 194-XL-...
	98	19,60	497,84	2,30	1,27	2,57	0,38	5,080	0,38	50	PHG 196-XL-...
	99	19,80	502,92	2,30	1,27	2,57	0,38	5,080	0,38	50	PHG 198-XL-...
	100	20,00	508,00	2,30	1,27	2,57	0,38	5,080	0,38	50	PHG 200-XL-...
	101	20,20	513,08	2,30	1,27	2,57	0,38	5,080	0,38	50	PHG 202-XL-...
	103	20,60	523,24	2,30	1,27	2,57	0,38	5,080	0,38	50	PHG 206-XL-...
	104	20,80	528,32	2,30	1,27	2,57	0,38	5,080	0,38	50	PHG 208-XL-...
	105	21,00	533,40	2,30	1,27	2,57	0,38	5,080	0,38	50	PHG 210-XL-...
	106	21,20	538,48	2,30	1,27	2,57	0,38	5,080	0,38	50	PHG 212-XL-...
	107	21,40	543,56	2,30	1,27	2,57	0,38	5,080	0,38	50	PHG 214-XL-...
	109	21,80	553,72	2,30	1,27	2,57	0,38	5,080	0,38	50	PHG 218-XL-...
	110	22,00	558,80	2,30	1,27	2,57	0,38	5,080	0,38	50	PHG 220-XL-...
	113	22,60	574,04	2,30	1,27	2,57	0,38	5,080	0,38	50	PHG 226-XL-...
	114	22,80	579,12	2,30	1,27	2,57	0,38	5,080	0,38	50	PHG 228-XL-...
	115	23,00	584,20	2,30	1,27	2,57	0,38	5,080	0,38	50	PHG 230-XL-...
	117	23,40	594,36	2,30	1,27	2,57	0,38	5,080	0,38	50	PHG 234-XL-...
	118	23,60	599,44	2,30	1,27	2,57	0,38	5,080	0,38	50	PHG 236-XL-...
	120	24,00	609,60	2,30	1,27	2,57	0,38	5,080	0,38	50	PHG 240-XL-...
	124	24,80	629,92	2,30	1,27	2,57	0,38	5,080	0,38	50	PHG 248-XL-...
	125	25,00	635,00	2,30	1,27	2,57	0,38	5,080	0,38	50	PHG 250-XL-...
	128	25,60	650,24	2,30	1,27	2,57	0,38	5,080	0,38	50	PHG 256-XL-...
	130	26,00	660,40	2,30	1,27	2,57	0,38	5,080	0,38	50	PHG 260-XL-...
	132	26,40	670,56	2,30	1,27	2,57	0,38	5,080	0,38	50	PHG 264-XL-...
	135	27,00	685,80	2,30	1,27	2,57	0,38	5,080	0,38	50	PHG 270-XL-...
	137	27,40	695,96	2,30	1,27	2,57	0,38	5,080	0,38	50	PHG 274-XL-...
	138	27,60	701,04	2,30	1,27	2,57	0,38	5,080	0,38	50	PHG 276-XL-...
	140	28,00	711,20	2,30	1,27	2,57	0,38	5,080	0,38	50	PHG 280-XL-...
	141	28,20	716,28	2,30	1,27	2,57	0,38	5,080	0,38	50	PHG 282-XL-...
	143	28,60	726,44	2,30	1,27	2,57	0,38	5,080	0,38	50	PHG 286-XL-...
	145	29,00	736,60	2,30	1,27	2,57	0,38	5,080	0,38	50	PHG 290-XL-...
	150	30,00	762,00	2,30	1,27	2,57	0,38	5,080	0,38	50	PHG 300-XL-...
	152	30,40	772,16	2,30	1,27	2,57	0,38	5,080	0,38	50	PHG 304-XL-...
	153	30,60	777,24	2,30	1,27	2,57	0,38	5,080	0,38	50	PHG 306-XL-...
	155	31,00	787,40	2,30	1,27	2,57	0,38	5,080	0,38	50	PHG 310-XL-...
	158	31,60	802,64	2,30	1,27	2,57	0,38	5,080	0,38	50	PHG 316-XL-...
	160	32,00	812,80	2,30	1,27	2,57	0,38	5,080	0,38	50	PHG 320-XL-...
	161	32,20	817,88	2,30	1,27	2,57	0,38	5,080	0,38	50	PHG 322-XL-...
	163	32,60	828,04	2,30	1,27	2,57	0,38	5,080	0,38	50	PHG 326-XL-...
	165	33,00	838,20	2,30	1,27	2,57	0,38	5,080	0,38	50	PHG 330-XL-...
	170	34,00	863,60	2,30	1,27	2,57	0,38	5,080	0,38	50	PHG 340-XL-...

Non-standard lengths may also be available.

To complete designation, add three digits for belt width in 1/100ths of an inch; e.g. for a 1/4" width add 025 or for a 3/8" width add 037.

Full sleeves are available in various widths. Please contact your SKF Authorized Distributor.



Section	Number of teeth	Dimensions		h ₁	h ₂	A	B	p	C	α	Designation
		Pitch length									
		in.	mm							°	
XL	172	34,40	873,76	2,30	1,27	2,57	0,38	5,080	0,38	50	PHG 344-XL-...
	174	34,80	883,92	2,30	1,27	2,57	0,38	5,080	0,38	50	PHG 348-XL-...
	176	35,20	894,08	2,30	1,27	2,57	0,38	5,080	0,38	50	PHG 352-XL-...
	178	35,60	904,24	2,30	1,27	2,57	0,38	5,080	0,38	50	PHG 356-XL-...
	180	36,00	914,40	2,30	1,27	2,57	0,38	5,080	0,38	50	PHG 360-XL-...
	181	36,20	919,48	2,30	1,27	2,57	0,38	5,080	0,38	50	PHG 362-XL-...
	182	36,40	924,56	2,30	1,27	2,57	0,38	5,080	0,38	50	PHG 364-XL-...
	186	37,20	944,88	2,30	1,27	2,57	0,38	5,080	0,38	50	PHG 372-XL-...
	188	37,60	955,04	2,30	1,27	2,57	0,38	5,080	0,38	50	PHG 376-XL-...
	190	38,00	965,20	2,30	1,27	2,57	0,38	5,080	0,38	50	PHG 380-XL-...
	192	38,40	975,36	2,30	1,27	2,57	0,38	5,080	0,38	50	PHG 384-XL-...
	195	39,00	990,60	2,30	1,27	2,57	0,38	5,080	0,38	50	PHG 390-XL-...
	196	39,20	995,68	2,30	1,27	2,57	0,38	5,080	0,38	50	PHG 392-XL-...
	200	40,00	1 016,00	2,30	1,27	2,57	0,38	5,080	0,38	50	PHG 400-XL-...
	206	41,20	1 046,48	2,30	1,27	2,57	0,38	5,080	0,38	50	PHG 412-XL-...
	207	41,40	1 051,56	2,30	1,27	2,57	0,38	5,080	0,38	50	PHG 414-XL-...
	212	42,40	1 076,96	2,30	1,27	2,57	0,38	5,080	0,38	50	PHG 424-XL-...
	215	43,00	1 092,20	2,30	1,27	2,57	0,38	5,080	0,38	50	PHG 430-XL-...
	216	43,20	1 097,28	2,30	1,27	2,57	0,38	5,080	0,38	50	PHG 432-XL-...
	217	43,40	1 102,36	2,30	1,27	2,57	0,38	5,080	0,38	50	PHG 434-XL-...
	225	45,00	1 143,00	2,30	1,27	2,57	0,38	5,080	0,38	50	PHG 450-XL-...
	230	46,00	1 168,40	2,30	1,27	2,57	0,38	5,080	0,38	50	PHG 460-XL-...
	240	48,00	1 219,20	2,30	1,27	2,57	0,38	5,080	0,38	50	PHG 480-XL-...
	245	49,00	1 244,60	2,30	1,27	2,57	0,38	5,080	0,38	50	PHG 490-XL-...
	246	49,20	1 249,68	2,30	1,27	2,57	0,38	5,080	0,38	50	PHG 492-XL-...
	257	51,40	1 305,56	2,30	1,27	2,57	0,38	5,080	0,38	50	PHG 514-XL-...
	280	56,00	1 422,40	2,30	1,27	2,57	0,38	5,080	0,38	50	PHG 560-XL-...
	282	56,40	1 432,56	2,30	1,27	2,57	0,38	5,080	0,38	50	PHG 564-XL-...
	290	58,00	1 473,20	2,30	1,27	2,57	0,38	5,080	0,38	50	PHG 580-XL-...
	306	61,20	1 554,48	2,30	1,27	2,57	0,38	5,080	0,38	50	PHG 612-XL-...
	315	63,00	1 600,20	2,30	1,27	2,57	0,38	5,080	0,38	50	PHG 630-XL-...
	335	67,00	1 701,80	2,30	1,27	2,57	0,38	5,080	0,38	50	PHG 670-XL-...
	336	67,20	1 706,88	2,30	1,27	2,57	0,38	5,080	0,38	50	PHG 672-XL-...
	343	68,60	1 742,44	2,30	1,27	2,57	0,38	5,080	0,38	50	PHG 686-XL-...
	355	71,00	1 803,40	2,30	1,27	2,57	0,38	5,080	0,38	50	PHG 710-XL-...
	360	72,00	1 828,80	2,30	1,27	2,57	0,38	5,080	0,38	50	PHG 720-XL-...
	368	73,60	1 869,44	2,30	1,27	2,57	0,38	5,080	0,38	50	PHG 736-XL-...
	394	78,80	2 001,52	2,30	1,27	2,57	0,38	5,080	0,38	50	PHG 788-XL-...
	430	86,00	2 184,40	2,30	1,27	2,57	0,38	5,080	0,38	50	PHG 860-XL-...
	516	103,20	2 621,28	2,30	1,27	2,57	0,38	5,080	0,38	50	PHG 1032-XL-...
	610	122,00	3 098,80	2,30	1,27	2,57	0,38	5,080	0,38	50	PHG 1220-XL-...
	650	130,00	3 302,00	2,30	1,27	2,57	0,38	5,080	0,38	50	PHG 1300-XL-...
	747	149,40	3 794,76	2,30	1,27	2,57	0,38	5,080	0,38	50	PHG 1494-XL-...
	1 064	212,80	5 405,12	2,30	1,27	2,57	0,38	5,080	0,38	50	PHG 2128-XL-...
	L	18	6,75	171,45	3,60	1,91	4,65	0,51	9,525	0,51	40
26		9,75	247,65	3,60	1,91	4,65	0,51	9,525	0,51	40	PHG 98-L-...
29		10,88	276,23	3,60	1,91	4,65	0,51	9,525	0,51	40	PHG 109-L-...
30		11,25	285,75	3,60	1,91	4,65	0,51	9,525	0,51	40	PHG 113-L-...
33		12,38	314,33	3,60	1,91	4,65	0,51	9,525	0,51	40	PHG 124-L-...
35		13,13	333,38	3,60	1,91	4,65	0,51	9,525	0,51	40	PHG 130-L-...
36		13,50	342,90	3,60	1,91	4,65	0,51	9,525	0,51	40	PHG 135-L-...
38		14,25	361,95	3,60	1,91	4,65	0,51	9,525	0,51	40	PHG 143-L-...
40		15,00	381,00	3,60	1,91	4,65	0,51	9,525	0,51	40	PHG 150-L-...
41		15,38	390,53	3,60	1,91	4,65	0,51	9,525	0,51	40	PHG 154-L-...

Non-standard lengths may also be available.

To complete designation, add three digits for belt width in 1/100ths of an inch; e.g. for a 1/4" width add 025 or for a 3/8" width add 037. Full sleeves are available in various widths. Please contact your SKF Authorized Distributor.

SKF Classical Timing Belts

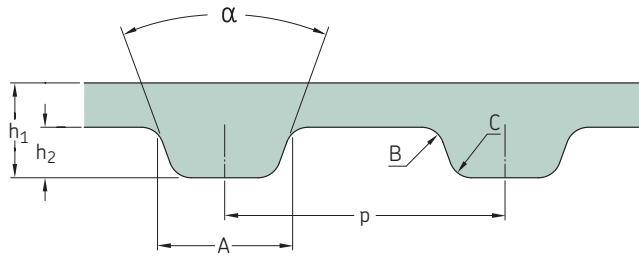
L

Section	Number of teeth	Dimensions									Designation
		Pitch length		h_1	h_2	A	B	p	C	α	
-	-	in.	mm							$^\circ$	-
L	42	15,75	400,05	3,60	1,91	4,65	0,51	9,525	0,51	40	PHG 158-L-...
	43	16,13	409,58	3,60	1,91	4,65	0,51	9,525	0,51	40	PHG 160-L-...
	44	16,50	419,10	3,60	1,91	4,65	0,51	9,525	0,51	40	PHG 165-L-...
	45	16,88	428,63	3,60	1,91	4,65	0,51	9,525	0,51	40	PHG 169-L-...
	46	17,25	438,15	3,60	1,91	4,65	0,51	9,525	0,51	40	PHG 173-L-...
	47	17,63	447,68	3,60	1,91	4,65	0,51	9,525	0,51	40	PHG 177-L-...
	48	18,00	457,20	3,60	1,91	4,65	0,51	9,525	0,51	40	PHG 180-L-...
	49	18,38	466,73	3,60	1,91	4,65	0,51	9,525	0,51	40	PHG 185-L-...
	50	18,75	476,25	3,60	1,91	4,65	0,51	9,525	0,51	40	PHG 187-L-...
	51	19,13	485,78	3,60	1,91	4,65	0,51	9,525	0,51	40	PHG 191-L-...
	52	19,50	495,30	3,60	1,91	4,65	0,51	9,525	0,51	40	PHG 195-L-...
	54	20,25	514,35	3,60	1,91	4,65	0,51	9,525	0,51	40	PHG 203-L-...
	56	21,00	533,40	3,60	1,91	4,65	0,51	9,525	0,51	40	PHG 210-L-...
	57	21,38	542,93	3,60	1,91	4,65	0,51	9,525	0,51	40	PHG 214-L-...
	58	21,75	552,45	3,60	1,91	4,65	0,51	9,525	0,51	40	PHG 217-L-...
	60	22,50	571,50	3,60	1,91	4,65	0,51	9,525	0,51	40	PHG 225-L-...
	62	23,25	590,55	3,60	1,91	4,65	0,51	9,525	0,51	40	PHG 232-L-...
	63	23,60	599,44	3,60	1,91	4,65	0,51	9,525	0,51	40	PHG 236-L-...
	64	24,00	609,60	3,60	1,91	4,65	0,51	9,525	0,51	40	PHG 240-L-...
	65	24,38	619,13	3,60	1,91	4,65	0,51	9,525	0,51	40	PHG 244-L-...
	68	25,50	647,70	3,60	1,91	4,65	0,51	9,525	0,51	40	PHG 255-L-...
	69	25,80	655,32	3,60	1,91	4,65	0,51	9,525	0,51	40	PHG 258-L-...
	70	26,25	666,75	3,60	1,91	4,65	0,51	9,525	0,51	40	PHG 263-L-...
	71	26,63	676,28	3,60	1,91	4,65	0,51	9,525	0,51	40	PHG 265-L-...
	72	27,00	685,80	3,60	1,91	4,65	0,51	9,525	0,51	40	PHG 270-L-...
	73	27,38	695,33	3,60	1,91	4,65	0,51	9,525	0,51	40	PHG 275-L-...
	74	27,75	704,85	3,60	1,91	4,65	0,51	9,525	0,51	40	PHG 277-L-...
	75	28,13	714,38	3,60	1,91	4,65	0,51	9,525	0,51	40	PHG 280-L-...
	76	28,50	723,90	3,60	1,91	4,65	0,51	9,525	0,51	40	PHG 285-L-...
	80	30,00	762,00	3,60	1,91	4,65	0,51	9,525	0,51	40	PHG 300-L-...
	81	30,38	771,53	3,60	1,91	4,65	0,51	9,525	0,51	40	PHG 304-L-...
	84	31,50	800,10	3,60	1,91	4,65	0,51	9,525	0,51	40	PHG 315-L-...
	85	31,88	809,63	3,60	1,91	4,65	0,51	9,525	0,51	40	PHG 320-L-...
	86	32,25	819,15	3,60	1,91	4,65	0,51	9,525	0,51	40	PHG 322-L-...
	87	32,63	828,68	3,60	1,91	4,65	0,51	9,525	0,51	40	PHG 328-L-...
	88	33,00	838,20	3,60	1,91	4,65	0,51	9,525	0,51	40	PHG 330-L-...
	89	33,38	847,73	3,60	1,91	4,65	0,51	9,525	0,51	40	PHG 334-L-...
	90	33,75	857,25	3,60	1,91	4,65	0,51	9,525	0,51	40	PHG 337-L-...
	91	34,13	866,78	3,60	1,91	4,65	0,51	9,525	0,51	40	PHG 341-L-...
	92	34,50	876,30	3,60	1,91	4,65	0,51	9,525	0,51	40	PHG 345-L-...
	94	35,25	895,35	3,60	1,91	4,65	0,51	9,525	0,51	40	PHG 352-L-...
	96	36,00	914,40	3,60	1,91	4,65	0,51	9,525	0,51	40	PHG 360-L-...
	98	36,75	933,45	3,60	1,91	4,65	0,51	9,525	0,51	40	PHG 367-L-...
	99	37,13	942,98	3,60	1,91	4,65	0,51	9,525	0,51	40	PHG 371-L-...
	100	37,50	952,50	3,60	1,91	4,65	0,51	9,525	0,51	40	PHG 375-L-...
	102	38,25	971,55	3,60	1,91	4,65	0,51	9,525	0,51	40	PHG 382-L-...
	103	38,63	981,08	3,60	1,91	4,65	0,51	9,525	0,51	40	PHG 387-L-...
	104	39,00	990,60	3,60	1,91	4,65	0,51	9,525	0,51	40	PHG 390-L-...
	105	39,38	1 000,13	3,60	1,91	4,65	0,51	9,525	0,51	40	PHG 394-L-...
	106	39,75	1 009,65	3,60	1,91	4,65	0,51	9,525	0,51	40	PHG 397-L-...
	108	40,50	1 028,70	3,60	1,91	4,65	0,51	9,525	0,51	40	PHG 405-L-...
	109	40,88	1 038,23	3,60	1,91	4,65	0,51	9,525	0,51	40	PHG 408-L-...
	110	41,25	1 047,75	3,60	1,91	4,65	0,51	9,525	0,51	40	PHG 412-L-...
	112	42,00	1 066,80	3,60	1,91	4,65	0,51	9,525	0,51	40	PHG 420-L-...
	114	42,75	1 085,85	3,60	1,91	4,65	0,51	9,525	0,51	40	PHG 427-L-...
	116	43,50	1 104,90	3,60	1,91	4,65	0,51	9,525	0,51	40	PHG 435-L-...
	117	43,88	1 114,43	3,60	1,91	4,65	0,51	9,525	0,51	40	PHG 439-L-...
	119	44,20	1 122,68	3,60	1,91	4,65	0,51	9,525	0,51	40	PHG 442-L-...
	120	45,00	1 143,00	3,60	1,91	4,65	0,51	9,525	0,51	40	PHG 450-L-...
	121	45,38	1 152,53	3,60	1,91	4,65	0,51	9,525	0,51	40	PHG 453-L-...
	123	46,13	1 171,70	3,60	1,91	4,65	0,51	9,525	0,51	40	PHG 461-L-...
	124	46,50	1 181,10	3,60	1,91	4,65	0,51	9,525	0,51	40	PHG 465-L-...
	128	48,00	1 219,20	3,60	1,91	4,65	0,51	9,525	0,51	40	PHG 480-L-...
	132	49,50	1 257,30	3,60	1,91	4,65	0,51	9,525	0,51	40	PHG 495-L-...
	133	50,00	1 270,00	3,60	1,91	4,65	0,51	9,525	0,51	40	PHG 500-L-...
	136	51,00	1 295,40	3,60	1,91	4,65	0,51	9,525	0,51	40	PHG 510-L-...
	138	51,80	1 315,72	3,60	1,91	4,65	0,51	9,525	0,51	40	PHG 518-L-...
	140	52,50	1 333,50	3,60	1,91	4,65	0,51	9,525	0,51	40	PHG 525-L-...
	144	54,00	1 371,60	3,60	1,91	4,65	0,51	9,525	0,51	40	PHG 540-L-...
	148	55,50	1 409,70	3,60	1,91	4,65	0,51	9,525	0,51	40	PHG 555-L-...
	148	54,80	1 391,92	3,60	1,91	4,65	0,51	9,525	0,51	40	PHG 548-L-...
	152	57,00	1 447,80	3,60	1,91	4,65	0,51	9,525	0,51	40	PHG 570-L-...
	153	57,38	1 457,33	3,60	1,91	4,65	0,51	9,525	0,51	40	PHG 574-L-...
	155	58,13	1 476,38	3,60	1,91	4,65	0,51	9,525	0,51	40	PHG 581-L-...
	156	58,50	1 485,90	3,60	1,91	4,65	0,51	9,525	0,51	40	PHG 585-L-...
	160	60,00	1 524,00	3,60	1,91	4,65	0,51	9,525	0,51	40	PHG 600-L-...

Non-standard lengths may also be available.

To complete designation, add three digits for belt width in 1/100ths of an inch; e.g. for a 1/4" width add 025 or for a 3/8" width add 037.

Full sleeves are available in various widths. Please contact your SKF Authorized Distributor.



Section	Number of teeth	Dimensions		h ₁	h ₂	A	B	p	C	α	Designation	
		Pitch length										
		in.	mm							°		
L	165	61,88	1 571,63	3,60	1,91	4,65	0,51	9,525	0,51	40	PHG 619-L-...	
	168	63,00	1 600,20	3,60	1,91	4,65	0,51	9,525	0,51	40	PHG 630-L-...	
	169	63,38	1 609,73	3,60	1,91	4,65	0,51	9,525	0,51	40	PHG 634-L-...	
	176	66,00	1 676,40	3,60	1,91	4,65	0,51	9,525	0,51	40	PHG 660-L-...	
	185	69,38	1 762,13	3,60	1,91	4,65	0,51	9,525	0,51	40	PHG 694-L-...	
	186	69,75	1 771,65	3,60	1,91	4,65	0,51	9,525	0,51	40	PHG 697-L-...	
	187	70,13	1 781,30	3,60	1,91	4,65	0,51	9,525	0,51	40	PHG 701-L-...	
	192	72,00	1 828,80	3,60	1,91	4,65	0,51	9,525	0,51	40	PHG 720-L-...	
	194	72,75	1 847,85	3,60	1,91	4,65	0,51	9,525	0,51	40	PHG 728-L-...	
	195	73,13	1 857,38	3,60	1,91	4,65	0,51	9,525	0,51	40	PHG 731-L-...	
	204	76,50	1 943,10	3,60	1,91	4,65	0,51	9,525	0,51	40	PHG 765-L-...	
	218	81,75	2 076,45	3,60	1,91	4,65	0,51	9,525	0,51	40	PHG 817-L-...	
	224	84,00	2 133,60	3,60	1,91	4,65	0,51	9,525	0,51	40	PHG 840-L-...	
	228	85,50	2 171,70	3,60	1,91	4,65	0,51	9,525	0,51	40	PHG 855-L-...	
	230	86,25	2 190,75	3,60	1,91	4,65	0,51	9,525	0,51	40	PHG 863-L-...	
	232	87,00	2 209,80	3,60	1,91	4,65	0,51	9,525	0,51	40	PHG 870-L-...	
	235	88,13	2 238,38	3,60	1,91	4,65	0,51	9,525	0,51	40	PHG 881-L-...	
	240	90,00	2 286,00	3,60	1,91	4,65	0,51	9,525	0,51	40	PHG 900-L-...	
	244	91,50	2 324,10	3,60	1,91	4,65	0,51	9,525	0,51	40	PHG 915-L-...	
	249	93,38	2 371,73	3,60	1,91	4,65	0,51	9,525	0,51	40	PHG 934-L-...	
	261	98,00	2 489,20	3,60	1,91	4,65	0,51	9,525	0,51	40	PHG 980-L-...	
	274	102,75	2 609,85	3,60	1,91	4,65	0,51	9,525	0,51	40	PHG 1028-L-...	
	306	114,75	2 914,65	3,60	1,91	4,65	0,51	9,525	0,51	40	PHG 1148-L-...	
	318	119,25	3 028,95	3,60	1,91	4,65	0,51	9,525	0,51	40	PHG 1192-L-...	
	375	140,63	3 571,88	3,60	1,91	4,65	0,51	9,525	0,51	40	PHG 1406-L-...	
	378	141,75	3 600,45	3,60	1,91	4,65	0,51	9,525	0,51	40	PHG 1418-L-...	
	447	167,63	4 257,68	3,60	1,91	4,65	0,51	9,525	0,51	40	PHG 1675-L-...	
	530	198,75	5 048,25	3,60	1,91	4,65	0,51	9,525	0,51	40	PHG 1998-L-...	
	H	29	14,50	368,30	4,30	2,29	6,12	1,02	12,700	1,02	40	PHG 145-H-...
		37	18,50	469,90	4,30	2,29	6,12	1,02	12,700	1,02	40	PHG 185-H-...
40		20,00	508,00	4,30	2,29	6,12	1,02	12,700	1,02	40	PHG 200-H-...	
41		20,50	520,70	4,30	2,29	6,12	1,02	12,700	1,02	40	PHG 205-H-...	
42		21,00	533,40	4,30	2,29	6,12	1,02	12,700	1,02	40	PHG 210-H-...	
44		22,00	558,80	4,30	2,29	6,12	1,02	12,700	1,02	40	PHG 220-H-...	
45		22,50	571,50	4,30	2,29	6,12	1,02	12,700	1,02	40	PHG 225-H-...	
46		23,00	584,20	4,30	2,29	6,12	1,02	12,700	1,02	40	PHG 230-H-...	
48		24,00	609,60	4,30	2,29	6,12	1,02	12,700	1,02	40	PHG 240-H-...	
49		24,50	622,30	4,30	2,29	6,12	1,02	12,700	1,02	40	PHG 245-H-...	
50		25,00	635,00	4,30	2,29	6,12	1,02	12,700	1,02	40	PHG 250-H-...	
51		25,50	647,70	4,30	2,29	6,12	1,02	12,700	1,02	40	PHG 255-H-...	
52		26,00	660,40	4,30	2,29	6,12	1,02	12,700	1,02	40	PHG 260-H-...	
54		27,00	685,80	4,30	2,29	6,12	1,02	12,700	1,02	40	PHG 270-H-...	
56		28,00	711,20	4,30	2,29	6,12	1,02	12,700	1,02	40	PHG 280-H-...	
57		28,50	723,90	4,30	2,29	6,12	1,02	12,700	1,02	40	PHG 285-H-...	
58		29,00	736,60	4,30	2,29	6,12	1,02	12,700	1,02	40	PHG 290-H-...	
60		30,00	762,00	4,30	2,29	6,12	1,02	12,700	1,02	40	PHG 300-H-...	
62		31,00	787,40	4,30	2,29	6,12	1,02	12,700	1,02	40	PHG 310-H-...	
63		31,50	800,10	4,30	2,29	6,12	1,02	12,700	1,02	40	PHG 315-H-...	
64		32,00	812,80	4,30	2,29	6,12	1,02	12,700	1,02	40	PHG 320-H-...	
65		32,50	825,50	4,30	2,29	6,12	1,02	12,700	1,02	40	PHG 325-H-...	
66		33,00	838,20	4,30	2,29	6,12	1,02	12,700	1,02	40	PHG 330-H-...	
67		33,50	850,90	4,30	2,29	6,12	1,02	12,700	1,02	40	PHG 335-H-...	
68		34,00	863,60	4,30	2,29	6,12	1,02	12,700	1,02	40	PHG 340-H-...	
69		34,50	876,30	4,30	2,29	6,12	1,02	12,700	1,02	40	PHG 345-H-...	

Non-standard lengths may also be available.

To complete designation, add three digits for belt width in 1/100ths of an inch; e.g. for a 1/4" width add 025 or for a 3/8" width add 037.

Full sleeves are available in various widths. Please contact your SKF Authorized Distributor.

SKF Classical Timing Belts

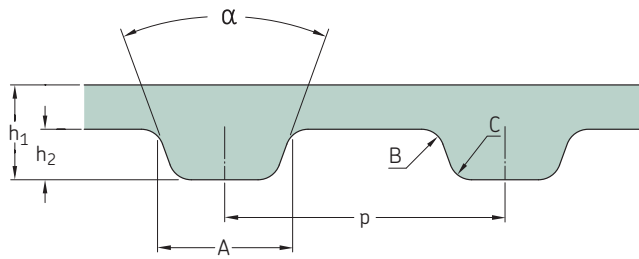
H

Section	Number of teeth	Dimensions									Designation
		Pitch length		h_1	h_2	A	B	p	C	α	
-	-	in.	mm							°	-
H	70	35,00	889,00	4,30	2,29	6,12	1,02	12,700	1,02	40	PHG 350-H-...
	71	35,50	901,70	4,30	2,29	6,12	1,02	12,700	1,02	40	PHG 355-H-...
	72	36,00	914,40	4,30	2,29	6,12	1,02	12,700	1,02	40	PHG 360-H-...
	73	36,50	927,10	4,30	2,29	6,12	1,02	12,700	1,02	40	PHG 365-H-...
	74	37,00	939,80	4,30	2,29	6,12	1,02	12,700	1,02	40	PHG 370-H-...
	75	37,50	952,50	4,30	2,29	6,12	1,02	12,700	1,02	40	PHG 375-H-...
	76	38,00	965,20	4,30	2,29	6,12	1,02	12,700	1,02	40	PHG 380-H-...
	78	39,00	990,60	4,30	2,29	6,12	1,02	12,700	1,02	40	PHG 390-H-...
	79	39,50	1 003,30	4,30	2,29	6,12	1,02	12,700	1,02	40	PHG 395-H-...
	80	40,00	1 016,00	4,30	2,29	6,12	1,02	12,700	1,02	40	PHG 400-H-...
	81	40,50	1 028,70	4,30	2,29	6,12	1,02	12,700	1,02	40	PHG 405-H-...
	82	41,00	1 041,40	4,30	2,29	6,12	1,02	12,700	1,02	40	PHG 410-H-...
	84	42,00	1 066,80	4,30	2,29	6,12	1,02	12,700	1,02	40	PHG 420-H-...
	85	42,50	1 079,50	4,30	2,29	6,12	1,02	12,700	1,02	40	PHG 425-H-...
	86	43,00	1 092,20	4,30	2,29	6,12	1,02	12,700	1,02	40	PHG 430-H-...
	89	44,50	1 130,30	4,30	2,29	6,12	1,02	12,700	1,02	40	PHG 445-H-...
	90	45,00	1 143,00	4,30	2,29	6,12	1,02	12,700	1,02	40	PHG 450-H-...
	91	45,50	1 155,70	4,30	2,29	6,12	1,02	12,700	1,02	40	PHG 455-H-...
	92	46,00	1 168,40	4,30	2,29	6,12	1,02	12,700	1,02	40	PHG 460-H-...
	93	46,50	1 181,10	4,30	2,29	6,12	1,02	12,700	1,02	40	PHG 465-H-...
	96	48,00	1 219,20	4,30	2,29	6,12	1,02	12,700	1,02	40	PHG 480-H-...
	97	48,50	1 231,90	4,30	2,29	6,12	1,02	12,700	1,02	40	PHG 485-H-...
	98	49,00	1 244,60	4,30	2,29	6,12	1,02	12,700	1,02	40	PHG 490-H-...
	100	50,00	1 270,00	4,30	2,29	6,12	1,02	12,700	1,02	40	PHG 500-H-...
	102	51,00	1 295,40	4,30	2,29	6,12	1,02	12,700	1,02	40	PHG 510-H-...
	103	51,50	1 308,10	4,30	2,29	6,12	1,02	12,700	1,02	40	PHG 515-H-...
	104	52,00	1 320,80	4,30	2,29	6,12	1,02	12,700	1,02	40	PHG 520-H-...
	105	52,50	1 333,50	4,30	2,29	6,12	1,02	12,700	1,02	40	PHG 525-H-...
	106	53,00	1 346,20	4,30	2,29	6,12	1,02	12,700	1,02	40	PHG 530-H-...
	107	53,50	1 358,90	4,30	2,29	6,12	1,02	12,700	1,02	40	PHG 535-H-...
	108	54,00	1 371,60	4,30	2,29	6,12	1,02	12,700	1,02	40	PHG 540-H-...
	110	55,00	1 397,00	4,30	2,29	6,12	1,02	12,700	1,02	40	PHG 550-H-...
	111	55,50	1 409,70	4,30	2,29	6,12	1,02	12,700	1,02	40	PHG 555-H-...
	112	56,00	1 422,40	4,30	2,29	6,12	1,02	12,700	1,02	40	PHG 560-H-...
	113	56,50	1 435,10	4,30	2,29	6,12	1,02	12,700	1,02	40	PHG 565-H-...
	114	57,00	1 447,80	4,30	2,29	6,12	1,02	12,700	1,02	40	PHG 570-H-...
	116	58,00	1 473,20	4,30	2,29	6,12	1,02	12,700	1,02	40	PHG 580-H-...
	117	58,50	1 485,90	4,30	2,29	6,12	1,02	12,700	1,02	40	PHG 585-H-...
	118	59,00	1 498,60	4,30	2,29	6,12	1,02	12,700	1,02	40	PHG 590-H-...
	120	60,00	1 524,00	4,30	2,29	6,12	1,02	12,700	1,02	40	PHG 600-H-...
	121	60,50	1 536,70	4,30	2,29	6,12	1,02	12,700	1,02	40	PHG 605-H-...
	122	61,00	1 549,40	4,30	2,29	6,12	1,02	12,700	1,02	40	PHG 610-H-...
	125	62,50	1 587,50	4,30	2,29	6,12	1,02	12,700	1,02	40	PHG 625-H-...
	126	63,00	1 600,20	4,30	2,29	6,12	1,02	12,700	1,02	40	PHG 630-H-...
	128	64,00	1 625,60	4,30	2,29	6,12	1,02	12,700	1,02	40	PHG 640-H-...
	130	65,00	1 651,00	4,30	2,29	6,12	1,02	12,700	1,02	40	PHG 650-H-...
	132	66,00	1 676,40	4,30	2,29	6,12	1,02	12,700	1,02	40	PHG 660-H-...
	134	67,00	1 701,80	4,30	2,29	6,12	1,02	12,700	1,02	40	PHG 670-H-...
	136	68,00	1 727,20	4,30	2,29	6,12	1,02	12,700	1,02	40	PHG 680-H-...
	138	69,00	1 752,60	4,30	2,29	6,12	1,02	12,700	1,02	40	PHG 690-H-...
	139	69,50	1 765,30	4,30	2,29	6,12	1,02	12,700	1,02	40	PHG 695-H-...
	140	70,00	1 778,00	4,30	2,29	6,12	1,02	12,700	1,02	40	PHG 700-H-...
	142	71,00	1 803,40	4,30	2,29	6,12	1,02	12,700	1,02	40	PHG 710-H-...
	144	72,00	1 828,80	4,30	2,29	6,12	1,02	12,700	1,02	40	PHG 720-H-...
	145	72,50	1 841,50	4,30	2,29	6,12	1,02	12,700	1,02	40	PHG 725-H-...
	146	73,00	1 854,20	4,30	2,29	6,12	1,02	12,700	1,02	40	PHG 730-H-...
	148	74,00	1 879,60	4,30	2,29	6,12	1,02	12,700	1,02	40	PHG 740-H-...
	150	75,00	1 905,00	4,30	2,29	6,12	1,02	12,700	1,02	40	PHG 750-H-...
	154	77,00	1 955,80	4,30	2,29	6,12	1,02	12,700	1,02	40	PHG 770-H-...
	155	77,50	1 968,50	4,30	2,29	6,12	1,02	12,700	1,02	40	PHG 775-H-...
	157	78,50	1 993,90	4,30	2,29	6,12	1,02	12,700	1,02	40	PHG 785-H-...
	160	80,00	2 032,00	4,30	2,29	6,12	1,02	12,700	1,02	40	PHG 800-H-...
	162	81,00	2 057,40	4,30	2,29	6,12	1,02	12,700	1,02	40	PHG 810-H-...
	164	82,00	2 082,80	4,30	2,29	6,12	1,02	12,700	1,02	40	PHG 820-H-...
	166	83,00	2 108,20	4,30	2,29	6,12	1,02	12,700	1,02	40	PHG 830-H-...
	168	84,00	2 133,60	4,30	2,29	6,12	1,02	12,700	1,02	40	PHG 840-H-...
	170	85,00	2 159,00	4,30	2,29	6,12	1,02	12,700	1,02	40	PHG 850-H-...
	172	86,00	2 184,40	4,30	2,29	6,12	1,02	12,700	1,02	40	PHG 860-H-...
	176	88,00	2 235,20	4,30	2,29	6,12	1,02	12,700	1,02	40	PHG 880-H-...
	179	89,50	2 273,30	4,30	2,29	6,12	1,02	12,700	1,02	40	PHG 895-H-...
	180	90,00	2 286,00	4,30	2,29	6,12	1,02	12,700	1,02	40	PHG 900-H-...
	184	92,00	2 336,80	4,30	2,29	6,12	1,02	12,700	1,02	40	PHG 920-H-...
	186	93,00	2 362,20	4,30	2,29	6,12	1,02	12,700	1,02	40	PHG 930-H-...
	190	95,00	2 413,00	4,30	2,29	6,12	1,02	12,700	1,02	40	PHG 950-H-...
	192	96,00	2 438,40	4,30	2,29	6,12	1,02	12,700	1,02	40	PHG 960-H-...
	196	98,00	2 489,20	4,30	2,29	6,12	1,02	12,700	1,02	40	PHG 980-H-...

Non-standard lengths may also be available.

To complete designation, add three digits for belt width in 1/100ths of an inch; e.g. for a 1/4" width add 025 or for a 3/8" width add 037.

Full sleeves are available in various widths. Please contact your SKF Authorized Distributor.



Section	Number of teeth	Dimensions		h ₁	h ₂	A	B	p	C	α	Designation
		Pitch length									
		in.	mm							°	
H	197	98.50	2 501.90	4,30	2,29	6,12	1,02	12,700	1,02	40	PHG 985-H-...
	200	100,00	2 540,00	4,30	2,29	6,12	1,02	12,700	1,02	40	PHG 1000-H-...
	204	102,00	2 590,80	4,30	2,29	6,12	1,02	12,700	1,02	40	PHG 1020-H-...
	206	103,00	2 616,20	4,30	2,29	6,12	1,02	12,700	1,02	40	PHG 1030-H-...
	210	105,00	2 667,00	4,30	2,29	6,12	1,02	12,700	1,02	40	PHG 1050-H-...
	217	108,50	2 755,90	4,30	2,29	6,12	1,02	12,700	1,02	40	PHG 1085-H-...
	220	110,00	2 794,00	4,30	2,29	6,12	1,02	12,700	1,02	40	PHG 1100-H-...
	224	112,00	2 844,80	4,30	2,29	6,12	1,02	12,700	1,02	40	PHG 1120-H-...
	228	114,00	2 895,60	4,30	2,29	6,12	1,02	12,700	1,02	40	PHG 1140-H-...
	230	115,00	2 921,00	4,30	2,29	6,12	1,02	12,700	1,02	40	PHG 1150-H-...
	234	117,00	2 971,80	4,30	2,29	6,12	1,02	12,700	1,02	40	PHG 1170-H-...
	235	117,50	2 984,50	4,30	2,29	6,12	1,02	12,700	1,02	40	PHG 1175-H-...
	240	120,00	3 048,00	4,30	2,29	6,12	1,02	12,700	1,02	40	PHG 1200-H-...
	250	125,00	3 175,00	4,30	2,29	6,12	1,02	12,700	1,02	40	PHG 1250-H-...
	252	126,00	3 200,40	4,30	2,29	6,12	1,02	12,700	1,02	40	PHG 1260-H-...
	254	127,00	3 225,80	4,30	2,29	6,12	1,02	12,700	1,02	40	PHG 1270-H-...
	265	132,50	3 365,50	4,30	2,29	6,12	1,02	12,700	1,02	40	PHG 1325-H-...
	270	135,00	3 429,00	4,30	2,29	6,12	1,02	12,700	1,02	40	PHG 1350-H-...
	272	136,00	3 454,40	4,30	2,29	6,12	1,02	12,700	1,02	40	PHG 1360-H-...
	276	138,00	3 505,20	4,30	2,29	6,12	1,02	12,700	1,02	40	PHG 1380-H-...
	280	140,00	3 556,00	4,30	2,29	6,12	1,02	12,700	1,02	40	PHG 1400-H-...
	288	144,00	3 657,60	4,30	2,29	6,12	1,02	12,700	1,02	40	PHG 1440-H-...
	290	145,00	3 683,00	4,30	2,29	6,12	1,02	12,700	1,02	40	PHG 1450-H-...
	292	146,00	3 708,40	4,30	2,29	6,12	1,02	12,700	1,02	40	PHG 1460-H-...
	302	151,00	3 835,40	4,30	2,29	6,12	1,02	12,700	1,02	40	PHG 1510-H-...
	307	153,50	3 898,90	4,30	2,29	6,12	1,02	12,700	1,02	40	PHG 1535-H-...
	310	155,00	3 937,00	4,30	2,29	6,12	1,02	12,700	1,02	40	PHG 1550-H-...
	312	156,00	3 962,40	4,30	2,29	6,12	1,02	12,700	1,02	40	PHG 1560-H-...
	320	160,00	4 064,00	4,30	2,29	6,12	1,02	12,700	1,02	40	PHG 1600-H-...
	326	163,00	4 140,20	4,30	2,29	6,12	1,02	12,700	1,02	40	PHG 1630-H-...
	332	166,00	4 216,40	4,30	2,29	6,12	1,02	12,700	1,02	40	PHG 1660-H-...
	336	168,00	4 267,20	4,30	2,29	6,12	1,02	12,700	1,02	40	PHG 1680-H-...
	340	170,00	4 318,00	4,30	2,29	6,12	1,02	12,700	1,02	40	PHG 1700-H-...
	350	175,00	4 445,00	4,30	2,29	6,12	1,02	12,700	1,02	40	PHG 1750-H-...
	353	176,50	4 483,10	4,30	2,29	6,12	1,02	12,700	1,02	40	PHG 1765-H-...
	371	185,50	4 711,70	4,30	2,29	6,12	1,02	12,700	1,02	40	PHG 1855-H-...
	402	201,00	5 105,40	4,30	2,29	6,12	1,02	12,700	1,02	40	PHG 2010-H-...
	410	205,00	5 207,00	4,30	2,29	6,12	1,02	12,700	1,02	40	PHG 2050-H-...
	440	220,00	5 588,00	4,30	2,29	6,12	1,02	12,700	1,02	40	PHG 2200-H-...
	442	221,00	5 613,40	4,30	2,29	6,12	1,02	12,700	1,02	40	PHG 2210-H-...
472	236,00	5 994,40	4,30	2,29	6,12	1,02	12,700	1,02	40	PHG 2360-H-...	
500	250,00	6 350,00	4,30	2,29	6,12	1,02	12,700	1,02	40	PHG 2500-H-...	
520	260,00	6 604,00	4,30	2,29	6,12	1,02	12,700	1,02	40	PHG 2600-H-...	
536	268,00	6 807,20	4,30	2,29	6,12	1,02	12,700	1,02	40	PHG 2680-H-...	
540	270,00	6 858,00	4,30	2,29	6,12	1,02	12,700	1,02	40	PHG 2700-H-...	
544	272,00	6 908,80	4,30	2,29	6,12	1,02	12,700	1,02	40	PHG 2720-H-...	
XH	53	46,38	1 117,93	11,20	6,35	12,57	1,57	22,225	1,19	40	PHG 463-XH-...
	58	50,75	1 289,05	11,20	6,35	12,57	1,57	22,225	1,19	40	PHG 507-XH-...
	58	50,80	1 290,32	11,20	6,35	12,57	1,57	22,225	1,19	40	PHG 508-XH-...
	64	56,00	1 422,40	11,20	6,35	12,57	1,57	22,225	1,19	40	PHG 560-XH-...
	65	56,88	1 444,63	11,20	6,35	12,57	1,57	22,225	1,19	40	PHG 570-XH-...
	66	57,55	1 466,85	11,20	6,35	12,57	1,57	22,225	1,19	40	PHG 580-XH-...
	69	60,38	1 533,53	11,20	6,35	12,57	1,57	22,225	1,19	40	PHG 604-XH-...
	72	63,00	1 600,20	11,20	6,35	12,57	1,57	22,225	1,19	40	PHG 630-XH-...

Non-standard lengths may also be available.

To complete designation, add three digits for belt width in 1/100ths of an inch; e.g. for a 1/4" width add 025 or for a 3/8" width add 037.

Full sleeves are available in various widths. Please contact your SKF Authorized Distributor.

SKF Classical Timing Belts

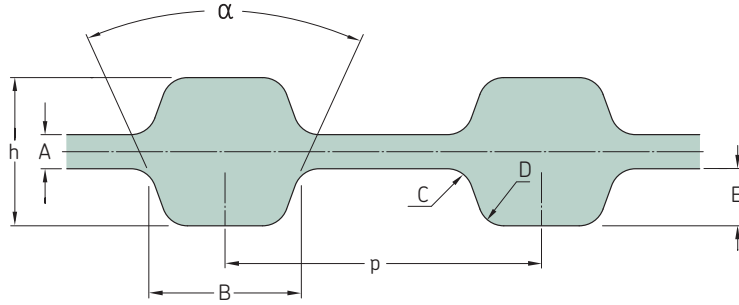
XH | XXH

Section	Number of teeth	Dimensions		h ₁	h ₂	A	B	p	C	α	Designation
		Pitch length									
–	–	in.	mm							°	–
XH	80	70,00	1 778,00	11,20	6,35	12,57	1,57	22,225	1,19	40	PHG 700-XH-...
	81	71,00	1 803,40	11,20	6,35	12,57	1,57	22,225	1,19	40	PHG 710-XH-...
	84	73,50	1 866,90	11,20	6,35	12,57	1,57	22,225	1,19	40	PHG 735-XH-...
	86	75,25	1 911,35	11,20	6,35	12,57	1,57	22,225	1,19	40	PHG 752-XH-...
	88	77,00	1 955,80	11,20	6,35	12,57	1,57	22,225	1,19	40	PHG 770-XH-...
	91	79,63	2 022,48	11,20	6,35	12,57	1,57	22,225	1,19	40	PHG 800-XH-...
	92	80,50	2 044,70	11,20	6,35	12,57	1,57	22,225	1,19	40	PHG 805-XH-...
	96	84,00	2 133,60	11,20	6,35	12,57	1,57	22,225	1,19	40	PHG 840-XH-...
	103	90,13	2 289,18	11,20	6,35	12,57	1,57	22,225	1,19	40	PHG 901-XH-...
	105	91,88	2 333,63	11,20	6,35	12,57	1,57	22,225	1,19	40	PHG 919-XH-...
	106	92,75	2 355,85	11,20	6,35	12,57	1,57	22,225	1,19	40	PHG 927-XH-...
	112	98,00	2 489,20	11,20	6,35	12,57	1,57	22,225	1,19	40	PHG 980-XH-...
	114	99,75	2 533,65	11,20	6,35	12,57	1,57	22,225	1,19	40	PHG 1000-XH-...
	128	112,00	2 844,80	11,20	6,35	12,57	1,57	22,225	1,19	40	PHG 1120-XH-...
	144	126,00	3 200,40	11,20	6,35	12,57	1,57	22,225	1,19	40	PHG 1260-XH-...
	160	140,00	3 556,00	11,20	6,35	12,57	1,57	22,225	1,19	40	PHG 1400-XH-...
	176	154,00	3 911,60	11,20	6,35	12,57	1,57	22,225	1,19	40	PHG 1540-XH-...
	180	157,50	4 000,50	11,20	6,35	12,57	1,57	22,225	1,19	40	PHG 1575-XH-...
	200	175,00	4 445,00	11,20	6,35	12,57	1,57	22,225	1,19	40	PHG 1750-XH-...
	214	187,25	4 756,15	11,20	6,35	12,57	1,57	22,225	1,19	40	PHG 1873-XH-...
260	227,50	5 778,50	11,20	6,35	12,57	1,57	22,225	1,19	40	PHG 2275-XH-...	
XXH	50	62,50	1 587,50	15,70	9,53	19,05	2,29	31,750	1,52	40	PHG 625-XXH-...
	52	65,00	1 651,00	15,70	9,53	19,05	2,29	31,750	1,52	40	PHG 650-XXH-...
	56	70,00	1 778,00	15,70	9,53	19,05	2,29	31,750	1,52	40	PHG 700-XXH-...
	64	80,00	2 032,00	15,70	9,53	19,05	2,29	31,750	1,52	40	PHG 800-XXH-...
	72	90,00	2 286,00	15,70	9,53	19,05	2,29	31,750	1,52	40	PHG 900-XXH-...
	76	95,00	2 413,00	15,70	9,53	19,05	2,29	31,750	1,52	40	PHG 950-XXH-...
	80	100,00	2 540,00	15,70	9,53	19,05	2,29	31,750	1,52	40	PHG 1000-XXH-...
	84	105,00	2 667,00	15,70	9,53	19,05	2,29	31,750	1,52	40	PHG 1050-XXH-...
	96	120,00	3 048,00	15,70	9,53	19,05	2,29	31,750	1,52	40	PHG 1200-XXH-...
	100	125,00	3 175,00	15,70	9,53	19,05	2,29	31,750	1,52	40	PHG 1250-XXH-...
	112	140,00	3 556,00	15,70	9,53	19,05	2,29	31,750	1,52	40	PHG 1400-XXH-...
	125	156,25	3 968,75	15,70	9,53	19,05	2,29	31,750	1,52	40	PHG 1563-XXH-...
	128	160,00	4 064,00	15,70	9,53	19,05	2,29	31,750	1,52	40	PHG 1600-XXH-...
	136	170,00	4 318,00	15,70	9,53	19,05	2,29	31,750	1,52	40	PHG 1700-XXH-...
	144	180,00	4 572,00	15,70	9,53	19,05	2,29	31,750	1,52	40	PHG 1800-XXH-...
	154	192,50	4 889,50	15,70	9,53	19,05	2,29	31,750	1,52	40	PHG 1925-XXH-...
	160	200,00	5 080,00	15,70	9,53	19,05	2,29	31,750	1,52	40	PHG 2000-XXH-...

Non-standard lengths may also be available.
 To complete designation, add three digits for belt width in 1/100ths of an inch; e.g. for a 1/4" width add 025 or for a 3/8" width add 037.
 Full sleeves are available in various widths. Please contact your SKF Authorized Distributor.

SKF Double-sided Classical Timing Belts

D-XL



Section	Number of teeth per side	Dimensions		h	A	B	C	D	p	E	α	Designation
		Pitch length										
-	-	in.	mm								°	-
D-XL	99	19,80	502,92	3,05	0,51	2,57	0,38	0,38	5,080	1,27	50	PHG D-198-XL-...
	100	20,00	508,00	3,05	0,51	2,57	0,38	0,38	5,080	1,27	50	PHG D-200-XL-...
	101	20,20	513,08	3,05	0,51	2,57	0,38	0,38	5,080	1,27	50	PHG D-202-XL-...
	103	20,60	523,24	3,05	0,51	2,57	0,38	0,38	5,080	1,27	50	PHG D-206-XL-...
	104	20,80	528,32	3,05	0,51	2,57	0,38	0,38	5,080	1,27	50	PHG D-208-XL-...
	105	21,00	533,40	3,05	0,51	2,57	0,38	0,38	5,080	1,27	50	PHG D-210-XL-...
	106	21,20	538,48	3,05	0,51	2,57	0,38	0,38	5,080	1,27	50	PHG D-212-XL-...
	107	21,40	543,56	3,05	0,51	2,57	0,38	0,38	5,080	1,27	50	PHG D-214-XL-...
	109	21,80	553,72	3,05	0,51	2,57	0,38	0,38	5,080	1,27	50	PHG D-218-XL-...
	110	22,00	558,80	3,05	0,51	2,57	0,38	0,38	5,080	1,27	50	PHG D-220-XL-...
	113	22,60	574,04	3,05	0,51	2,57	0,38	0,38	5,080	1,27	50	PHG D-226-XL-...
	114	22,80	579,12	3,05	0,51	2,57	0,38	0,38	5,080	1,27	50	PHG D-228-XL-...
	115	23,00	584,20	3,05	0,51	2,57	0,38	0,38	5,080	1,27	50	PHG D-230-XL-...
	117	23,40	594,36	3,05	0,51	2,57	0,38	0,38	5,080	1,27	50	PHG D-234-XL-...
	118	23,60	599,44	3,05	0,51	2,57	0,38	0,38	5,080	1,27	50	PHG D-236-XL-...
	120	24,00	609,60	3,05	0,51	2,57	0,38	0,38	5,080	1,27	50	PHG D-240-XL-...
	124	24,80	629,92	3,05	0,51	2,57	0,38	0,38	5,080	1,27	50	PHG D-248-XL-...
	125	25,00	635,00	3,05	0,51	2,57	0,38	0,38	5,080	1,27	50	PHG D-250-XL-...
	128	25,60	650,24	3,05	0,51	2,57	0,38	0,38	5,080	1,27	50	PHG D-256-XL-...
	130	26,00	660,40	3,05	0,51	2,57	0,38	0,38	5,080	1,27	50	PHG D-260-XL-...
	132	26,40	670,56	3,05	0,51	2,57	0,38	0,38	5,080	1,27	50	PHG D-264-XL-...
	135	27,00	685,80	3,05	0,51	2,57	0,38	0,38	5,080	1,27	50	PHG D-270-XL-...
	137	27,40	695,96	3,05	0,51	2,57	0,38	0,38	5,080	1,27	50	PHG D-274-XL-...
	138	27,60	701,04	3,05	0,51	2,57	0,38	0,38	5,080	1,27	50	PHG D-276-XL-...
	140	28,00	711,20	3,05	0,51	2,57	0,38	0,38	5,080	1,27	50	PHG D-280-XL-...
	141	28,20	716,28	3,05	0,51	2,57	0,38	0,38	5,080	1,27	50	PHG D-282-XL-...
	143	28,60	726,44	3,05	0,51	2,57	0,38	0,38	5,080	1,27	50	PHG D-286-XL-...
	145	29,00	736,60	3,05	0,51	2,57	0,38	0,38	5,080	1,27	50	PHG D-290-XL-...
	150	30,00	762,00	3,05	0,51	2,57	0,38	0,38	5,080	1,27	50	PHG D-300-XL-...
	152	30,40	772,16	3,05	0,51	2,57	0,38	0,38	5,080	1,27	50	PHG D-304-XL-...
	153	30,60	777,24	3,05	0,51	2,57	0,38	0,38	5,080	1,27	50	PHG D-306-XL-...
	155	31,00	787,40	3,05	0,51	2,57	0,38	0,38	5,080	1,27	50	PHG D-310-XL-...
	158	31,60	802,64	3,05	0,51	2,57	0,38	0,38	5,080	1,27	50	PHG D-316-XL-...
	160	32,00	812,80	3,05	0,51	2,57	0,38	0,38	5,080	1,27	50	PHG D-320-XL-...
	161	32,20	817,88	3,05	0,51	2,57	0,38	0,38	5,080	1,27	50	PHG D-322-XL-...
	163	32,60	828,04	3,05	0,51	2,57	0,38	0,38	5,080	1,27	50	PHG D-326-XL-...
	165	33,00	838,20	3,05	0,51	2,57	0,38	0,38	5,080	1,27	50	PHG D-330-XL-...
	170	34,00	863,60	3,05	0,51	2,57	0,38	0,38	5,080	1,27	50	PHG D-340-XL-...
	172	34,40	873,76	3,05	0,51	2,57	0,38	0,38	5,080	1,27	50	PHG D-344-XL-...
	174	34,80	883,92	3,05	0,51	2,57	0,38	0,38	5,080	1,27	50	PHG D-348-XL-...
	176	35,20	894,08	3,05	0,51	2,57	0,38	0,38	5,080	1,27	50	PHG D-352-XL-...
	178	35,60	904,24	3,05	0,51	2,57	0,38	0,38	5,080	1,27	50	PHG D-356-XL-...
	180	36,00	914,40	3,05	0,51	2,57	0,38	0,38	5,080	1,27	50	PHG D-360-XL-...
	181	36,00	914,40	3,05	0,51	2,57	0,38	0,38	5,080	1,27	50	PHG D-362-XL-...
	182	36,40	924,56	3,05	0,51	2,57	0,38	0,38	5,080	1,27	50	PHG D-364-XL-...
	185	37,00	939,80	3,05	0,51	2,57	0,38	0,38	5,080	1,27	50	PHG D-370-XL-...
	186	37,20	944,88	3,05	0,51	2,57	0,38	0,38	5,080	1,27	50	PHG D-372-XL-...
	188	37,60	955,04	3,05	0,51	2,57	0,38	0,38	5,080	1,27	50	PHG D-376-XL-...
	190	38,00	965,20	3,05	0,51	2,57	0,38	0,38	5,080	1,27	50	PHG D-380-XL-...
	192	38,40	975,36	3,05	0,51	2,57	0,38	0,38	5,080	1,27	50	PHG D-384-XL-...
	195	39,00	990,60	3,05	0,51	2,57	0,38	0,38	5,080	1,27	50	PHG D-390-XL-...
	196	39,20	995,68	3,05	0,51	2,57	0,38	0,38	5,080	1,27	50	PHG D-392-XL-...
	200	40,00	1 016,00	3,05	0,51	2,57	0,38	0,38	5,080	1,27	50	PHG D-400-XL-...
	206	41,20	1 046,48	3,05	0,51	2,57	0,38	0,38	5,080	1,27	50	PHG D-412-XL-...
	207	41,40	1 051,56	3,05	0,51	2,57	0,38	0,38	5,080	1,27	50	PHG D-414-XL-...

Non-standard lengths may also be available.

To complete designation add three digits for belt width in 1/100ths of an inch; e.g. for a 1/4" width add 025 or for a 3/8" width add 037.

Full sleeves are available in various widths. Please contact your SKF Authorized Distributor.

SKF Double-sided Classical Timing Belts

D-XL | D-L

Section	Number of teeth per side	Dimensions		h	A	B	C	D	p	E	α	Designation	
		Pitch length											
-	-	in.	mm								°	-	
D-XL	212	42,40	1 076,96	3,05	0,51	2,57	0,38	0,38	5,080	1,27	50	PHG D-424-XL-...	
	215	43,00	1 092,20	3,05	0,51	2,57	0,38	0,38	5,080	1,27	50	PHG D-430-XL-...	
	216	43,20	1 097,28	3,05	0,51	2,57	0,38	0,38	5,080	1,27	50	PHG D-432-XL-...	
	217	43,40	1 102,36	3,05	0,51	2,57	0,38	0,38	5,080	1,27	50	PHG D-434-XL-...	
	225	45,00	1 143,00	3,05	0,51	2,57	0,38	0,38	5,080	1,27	50	PHG D-450-XL-...	
	230	46,00	1 168,40	3,05	0,51	2,57	0,38	0,38	5,080	1,27	50	PHG D-460-XL-...	
	240	48,00	1 219,20	3,05	0,51	2,57	0,38	0,38	5,080	1,27	50	PHG D-480-XL-...	
	245	49,00	1 244,60	3,05	0,51	2,57	0,38	0,38	5,080	1,27	50	PHG D-490-XL-...	
	246	49,20	1 249,68	3,05	0,51	2,57	0,38	0,38	5,080	1,27	50	PHG D-492-XL-...	
	257	51,40	1 305,56	3,05	0,51	2,57	0,38	0,38	5,080	1,27	50	PHG D-514-XL-...	
	280	56,00	1 422,40	3,05	0,51	2,57	0,38	0,38	5,080	1,27	50	PHG D-560-XL-...	
	282	56,40	1 432,56	3,05	0,51	2,57	0,38	0,38	5,080	1,27	50	PHG D-564-XL-...	
	283	56,60	1 437,64	3,05	0,51	2,57	0,38	0,38	5,080	1,27	50	PHG D-566-XL-...	
	287	57,40	1 457,96	3,05	0,51	2,57	0,38	0,38	5,080	1,27	50	PHG D-574-XL-...	
	290	58,00	1 473,20	3,05	0,51	2,57	0,38	0,38	5,080	1,27	50	PHG D-580-XL-...	
	D-L	54	20,25	514,35	4,57	0,76	4,65	0,51	0,51	9,525	1,91	40	PHG D-203-L-...
		56	21,00	533,40	4,57	0,76	4,65	0,51	0,51	9,525	1,91	40	PHG D-210-L-...
		57	21,38	542,93	4,57	0,76	4,65	0,51	0,51	9,525	1,91	40	PHG D-214-L-...
58		21,75	552,45	4,57	0,76	4,65	0,51	0,51	9,525	1,91	40	PHG D-217-L-...	
60		22,50	571,50	4,57	0,76	4,65	0,51	0,51	9,525	1,91	40	PHG D-225-L-...	
62		23,25	590,55	4,57	0,76	4,65	0,51	0,51	9,525	1,91	40	PHG D-232-L-...	
63		23,60	599,44	4,57	0,76	4,65	0,51	0,51	9,525	1,91	40	PHG D-236-L-...	
64		24,00	609,60	4,57	0,76	4,65	0,51	0,51	9,525	1,91	40	PHG D-240-L-...	
65		24,38	619,13	4,57	0,76	4,65	0,51	0,51	9,525	1,91	40	PHG D-244-L-...	
68		25,50	647,70	4,57	0,76	4,65	0,51	0,51	9,525	1,91	40	PHG D-255-L-...	
69		25,75	654,05	4,57	0,76	4,65	0,51	0,51	9,525	1,91	40	PHG D-258-L-...	
70		26,25	666,75	4,57	0,76	4,65	0,51	0,51	9,525	1,91	40	PHG D-263-L-...	
71		26,63	676,28	4,57	0,76	4,65	0,51	0,51	9,525	1,91	40	PHG D-265-L-...	
72		27,00	685,80	4,57	0,76	4,65	0,51	0,51	9,525	1,91	40	PHG D-270-L-...	
73		27,38	695,33	4,57	0,76	4,65	0,51	0,51	9,525	1,91	40	PHG D-275-L-...	
74		27,75	704,85	4,57	0,76	4,65	0,51	0,51	9,525	1,91	40	PHG D-277-L-...	
75		28,13	714,38	4,57	0,76	4,65	0,51	0,51	9,525	1,91	40	PHG D-280-L-...	
76		28,50	723,90	4,57	0,76	4,65	0,51	0,51	9,525	1,91	40	PHG D-285-L-...	
80		30,00	762,00	4,57	0,76	4,65	0,51	0,51	9,525	1,91	40	PHG D-300-L-...	
81		30,38	771,53	4,57	0,76	4,65	0,51	0,51	9,525	1,91	40	PHG D-304-L-...	
84		31,50	800,10	4,57	0,76	4,65	0,51	0,51	9,525	1,91	40	PHG D-315-L-...	
85		31,88	809,63	4,57	0,76	4,65	0,51	0,51	9,525	1,91	40	PHG D-320-L-...	
86		32,25	819,15	4,57	0,76	4,65	0,51	0,51	9,525	1,91	40	PHG D-322-L-...	
87		32,63	828,68	4,57	0,76	4,65	0,51	0,51	9,525	1,91	40	PHG D-328-L-...	
88		33,00	838,20	4,57	0,76	4,65	0,51	0,51	9,525	1,91	40	PHG D-330-L-...	
89		33,38	847,73	4,57	0,76	4,65	0,51	0,51	9,525	1,91	40	PHG D-334-L-...	
90		33,75	857,25	4,57	0,76	4,65	0,51	0,51	9,525	1,91	40	PHG D-337-L-...	
91		34,13	866,78	4,57	0,76	4,65	0,51	0,51	9,525	1,91	40	PHG D-341-L-...	
92		34,50	876,30	4,57	0,76	4,65	0,51	0,51	9,525	1,91	40	PHG D-345-L-...	
94		35,25	895,35	4,57	0,76	4,65	0,51	0,51	9,525	1,91	40	PHG D-352-L-...	
96		36,00	914,40	4,57	0,76	4,65	0,51	0,51	9,525	1,91	40	PHG D-360-L-...	
98		36,75	933,45	4,57	0,76	4,65	0,51	0,51	9,525	1,91	40	PHG D-367-L-...	
99		37,13	942,98	4,57	0,76	4,65	0,51	0,51	9,525	1,91	40	PHG D-371-L-...	
100		37,50	952,50	4,57	0,76	4,65	0,51	0,51	9,525	1,91	40	PHG D-375-L-...	
102		38,25	971,55	4,57	0,76	4,65	0,51	0,51	9,525	1,91	40	PHG D-382-L-...	
103		38,63	981,08	4,57	0,76	4,65	0,51	0,51	9,525	1,91	40	PHG D-387-L-...	
104		39,00	990,60	4,57	0,76	4,65	0,51	0,51	9,525	1,91	40	PHG D-390-L-...	
105		39,38	1 000,13	4,57	0,76	4,65	0,51	0,51	9,525	1,91	40	PHG D-394-L-...	
106		39,75	1 009,65	4,57	0,76	4,65	0,51	0,51	9,525	1,91	40	PHG D-397-L-...	
108		40,50	1 028,70	4,57	0,76	4,65	0,51	0,51	9,525	1,91	40	PHG D-405-L-...	
109		40,88	1 038,23	4,57	0,76	4,65	0,51	0,51	9,525	1,91	40	PHG D-408-L-...	
110		41,25	1 047,75	4,57	0,76	4,65	0,51	0,51	9,525	1,91	40	PHG D-412-L-...	
112		42,00	1 066,80	4,57	0,76	4,65	0,51	0,51	9,525	1,91	40	PHG D-420-L-...	
114		42,75	1 085,85	4,57	0,76	4,65	0,51	0,51	9,525	1,91	40	PHG D-427-L-...	
116		43,50	1 104,90	4,57	0,76	4,65	0,51	0,51	9,525	1,91	40	PHG D-435-L-...	
117		43,88	1 114,43	4,57	0,76	4,65	0,51	0,51	9,525	1,91	40	PHG D-439-L-...	
118		44,25	1 123,95	4,57	0,76	4,65	0,51	0,51	9,525	1,91	40	PHG D-442-L-...	
120		45,00	1 143,00	4,57	0,76	4,65	0,51	0,51	9,525	1,91	40	PHG D-450-L-...	
121	45,38	1 152,53	4,57	0,76	4,65	0,51	0,51	9,525	1,91	40	PHG D-453-L-...		
123	46,13	1 171,70	4,57	0,76	4,65	0,51	0,51	9,525	1,91	40	PHG D-461-L-...		
124	46,50	1 181,10	4,57	0,76	4,65	0,51	0,51	9,525	1,91	40	PHG D-465-L-...		
128	48,00	1 219,20	4,57	0,76	4,65	0,51	0,51	9,525	1,91	40	PHG D-480-L-...		
132	49,50	1 257,30	4,57	0,76	4,65	0,51	0,51	9,525	1,91	40	PHG D-495-L-...		
133	50,00	1 270,00	4,57	0,76	4,65	0,51	0,51	9,525	1,91	40	PHG D-500-L-...		
136	51,00	1 295,40	4,57	0,76	4,65	0,51	0,51	9,525	1,91	40	PHG D-510-L-...		
138	51,80	1 315,72	4,57	0,76	4,65	0,51	0,51	9,525	1,91	40	PHG D-518-L-...		
140	52,50	1 333,50	4,57	0,76	4,65	0,51	0,51	9,525	1,91	40	PHG D-525-L-...		
144	54,00	1 371,60	4,57	0,76	4,65	0,51	0,51	9,525	1,91	40	PHG D-540-L-...		
146	54,75	1 390,65	4,57	0,76	4,65	0,51	0,51	9,525	1,91	40	PHG D-548-L-...		
148	55,50	1 409,70	4,57	0,76	4,65	0,51	0,51	9,525	1,91	40	PHG D-555-L-...		
152	57,00	1 447,80	4,57	0,76	4,65	0,51	0,51	9,525	1,91	40	PHG D-570-L-...		

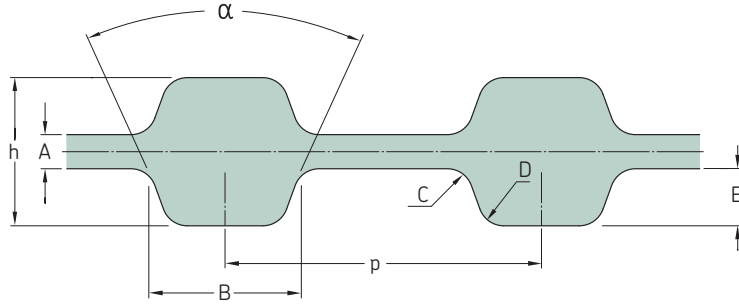
Non-standard lengths may also be available.

To complete designation add three digits for belt width in 1/100ths of an inch; e.g. for a 1/4" width add 025 or for a 3/8" width add 037.

Full sleeves are available in various widths. Please contact your SKF Authorized Distributor.

SKF Double-sided Classical Timing Belts

D-L | D-H



Section	Number of teeth per side	Dimensions		h	A	B	C	D	p	E	α	Designation
		Pitch length										
		in.	mm									
D-L	153	57,38	1 457,33	4,57	0,76	4,65	0,51	0,51	9,525	1,91	40	PHG D-574-L-...
	155	58,13	1 476,38	4,57	0,76	4,65	0,51	0,51	9,525	1,91	40	PHG D-581-L-...
	156	58,50	1 485,90	4,57	0,76	4,65	0,51	0,51	9,525	1,91	40	PHG D-585-L-...
	160	60,00	1 524,00	4,57	0,76	4,65	0,51	0,51	9,525	1,91	40	PHG D-600-L-...
	165	61,90	1 572,26	4,57	0,76	4,65	0,51	0,51	9,525	1,91	40	PHG D-619-L-...
	168	63,00	1 600,20	4,57	0,76	4,65	0,51	0,51	9,525	1,91	40	PHG D-630-L-...
	169	63,40	1 610,36	4,57	0,76	4,65	0,51	0,51	9,525	1,91	40	PHG D-634-L-...
	176	66,00	1 676,40	4,57	0,76	4,65	0,51	0,51	9,525	1,91	40	PHG D-660-L-...
D-H	40	20,00	508,00	5,95	1,37	6,12	1,02	1,02	12,700	2,29	40	PHG D-200-H-...
	41	20,50	520,70	5,95	1,37	6,12	1,02	1,02	12,700	2,29	40	PHG D-205-H-...
	42	21,00	533,40	5,95	1,37	6,12	1,02	1,02	12,700	2,29	40	PHG D-210-H-...
	44	22,00	558,80	5,95	1,37	6,12	1,02	1,02	12,700	2,29	40	PHG D-220-H-...
	45	22,50	571,50	5,95	1,37	6,12	1,02	1,02	12,700	2,29	40	PHG D-225-H-...
	46	23,00	584,20	5,95	1,37	6,12	1,02	1,02	12,700	2,29	40	PHG D-230-H-...
	48	24,00	609,60	5,95	1,37	6,12	1,02	1,02	12,700	2,29	40	PHG D-240-H-...
	49	24,50	622,30	5,95	1,37	6,12	1,02	1,02	12,700	2,29	40	PHG D-245-H-...
	49	24,50	622,30	5,95	1,37	6,12	1,02	1,02	12,700	2,29	40	PHG D-245-H-...
	50	25,00	635,00	5,95	1,37	6,12	1,02	1,02	12,700	2,29	40	PHG D-250-H-...
	51	25,50	647,70	5,95	1,37	6,12	1,02	1,02	12,700	2,29	40	PHG D-255-H-...
	52	26,00	660,40	5,95	1,37	6,12	1,02	1,02	12,700	2,29	40	PHG D-260-H-...
	54	27,00	685,80	5,95	1,37	6,12	1,02	1,02	12,700	2,29	40	PHG D-270-H-...
	56	28,00	711,20	5,95	1,37	6,12	1,02	1,02	12,700	2,29	40	PHG D-280-H-...
	57	28,50	723,90	5,95	1,37	6,12	1,02	1,02	12,700	2,29	40	PHG D-285-H-...
	58	29,00	736,60	5,95	1,37	6,12	1,02	1,02	12,700	2,29	40	PHG D-290-H-...
	60	30,00	762,00	5,95	1,37	6,12	1,02	1,02	12,700	2,29	40	PHG D-300-H-...
	62	31,00	787,40	5,95	1,37	6,12	1,02	1,02	12,700	2,29	40	PHG D-310-H-...
	63	31,50	800,10	5,95	1,37	6,12	1,02	1,02	12,700	2,29	40	PHG D-315-H-...
	64	32,00	812,80	5,95	1,37	6,12	1,02	1,02	12,700	2,29	40	PHG D-320-H-...
	65	32,50	825,50	5,95	1,37	6,12	1,02	1,02	12,700	2,29	40	PHG D-325-H-...
	66	33,00	838,20	5,95	1,37	6,12	1,02	1,02	12,700	2,29	40	PHG D-330-H-...
	67	33,50	850,90	5,95	1,37	6,12	1,02	1,02	12,700	2,29	40	PHG D-335-H-...
	68	34,00	863,60	5,95	1,37	6,12	1,02	1,02	12,700	2,29	40	PHG D-340-H-...
	69	34,50	876,30	5,95	1,37	6,12	1,02	1,02	12,700	2,29	40	PHG D-345-H-...
	70	35,00	889,00	5,95	1,37	6,12	1,02	1,02	12,700	2,29	40	PHG D-350-H-...
	71	35,50	901,70	5,95	1,37	6,12	1,02	1,02	12,700	2,29	40	PHG D-355-H-...
	72	36,00	914,40	5,95	1,37	6,12	1,02	1,02	12,700	2,29	40	PHG D-360-H-...
	73	36,50	927,10	5,95	1,37	6,12	1,02	1,02	12,700	2,29	40	PHG D-365-H-...
	74	37,00	939,80	5,95	1,37	6,12	1,02	1,02	12,700	2,29	40	PHG D-370-H-...
	75	37,50	952,50	5,95	1,37	6,12	1,02	1,02	12,700	2,29	40	PHG D-375-H-...
	76	38,00	965,20	5,95	1,37	6,12	1,02	1,02	12,700	2,29	40	PHG D-380-H-...
	78	39,00	990,60	5,95	1,37	6,12	1,02	1,02	12,700	2,29	40	PHG D-390-H-...
	79	39,50	1 003,30	5,95	1,37	6,12	1,02	1,02	12,700	2,29	40	PHG D-395-H-...
	80	40,00	1 016,00	5,95	1,37	6,12	1,02	1,02	12,700	2,29	40	PHG D-400-H-...
	81	40,50	1 028,70	5,95	1,37	6,12	1,02	1,02	12,700	2,29	40	PHG D-405-H-...
	82	41,00	1 041,40	5,95	1,37	6,12	1,02	1,02	12,700	2,29	40	PHG D-410-H-...
	84	42,00	1 066,80	5,95	1,37	6,12	1,02	1,02	12,700	2,29	40	PHG D-420-H-...
	85	42,50	1 079,50	5,95	1,37	6,12	1,02	1,02	12,700	2,29	40	PHG D-425-H-...
	86	43,00	1 092,20	5,95	1,37	6,12	1,02	1,02	12,700	2,29	40	PHG D-430-H-...
	89	44,50	1 130,30	5,95	1,37	6,12	1,02	1,02	12,700	2,29	40	PHG D-445-H-...
	90	45,00	1 143,00	5,95	1,37	6,12	1,02	1,02	12,700	2,29	40	PHG D-450-H-...
	92	46,00	1 168,40	5,95	1,37	6,12	1,02	1,02	12,700	2,29	40	PHG D-460-H-...
	93	46,50	1 181,10	5,95	1,37	6,12	1,02	1,02	12,700	2,29	40	PHG D-465-H-...
	94	47,00	1 193,80	5,95	1,37	6,12	1,02	1,02	12,700	2,29	40	PHG D-470-H-...
	96	48,00	1 219,20	5,95	1,37	6,12	1,02	1,02	12,700	2,29	40	PHG D-480-H-...

Non-standard lengths may also be available.
 To complete designation add three digits for belt width in 1/100ths of an inch; e.g. for a 1/4" width add 025 or for a 3/8" width add 037.
 Full sleeves are available in various widths. Please contact your SKF Authorized Distributor.

SKF Double-sided Classical Timing Belts

D-H

Section	Number of teeth per side	Dimensions		h	A	B	C	D	p	E	α	Designation
		Pitch length										
-	-	in.	mm								°	-
D-H	97	48,50	1 231,90	5,95	1,37	6,12	1,02	1,02	12,700	2,29	40	PHG D-485-H...
	98	49,00	1 244,60	5,95	1,37	6,12	1,02	1,02	12,700	2,29	40	PHG D-490-H...
	100	50,00	1 270,00	5,95	1,37	6,12	1,02	1,02	12,700	2,29	40	PHG D-500-H...
	102	51,00	1 295,40	5,95	1,37	6,12	1,02	1,02	12,700	2,29	40	PHG D-510-H...
	103	51,50	1 308,10	5,95	1,37	6,12	1,02	1,02	12,700	2,29	40	PHG D-515-H...
	104	52,00	1 320,80	5,95	1,37	6,12	1,02	1,02	12,700	2,29	40	PHG D-520-H...
	105	52,50	1 333,50	5,95	1,37	6,12	1,02	1,02	12,700	2,29	40	PHG D-525-H...
	106	53,00	1 346,20	5,95	1,37	6,12	1,02	1,02	12,700	2,29	40	PHG D-530-H...
	107	53,50	1 358,90	5,95	1,37	6,12	1,02	1,02	12,700	2,29	40	PHG D-535-H...
	108	54,00	1 371,60	5,95	1,37	6,12	1,02	1,02	12,700	2,29	40	PHG D-540-H...
	110	55,00	1 397,00	5,95	1,37	6,12	1,02	1,02	12,700	2,29	40	PHG D-550-H...
	111	55,00	1 397,00	5,95	1,37	6,12	1,02	1,02	12,700	2,29	40	PHG D-555-H...
	112	56,00	1 422,40	5,95	1,37	6,12	1,02	1,02	12,700	2,29	40	PHG D-560-H...
	113	56,50	1 435,10	5,95	1,37	6,12	1,02	1,02	12,700	2,29	40	PHG D-565-H...
	114	57,00	1 447,80	5,95	1,37	6,12	1,02	1,02	12,700	2,29	40	PHG D-570-H...
	116	58,00	1 473,20	5,95	1,37	6,12	1,02	1,02	12,700	2,29	40	PHG D-580-H...
	117	58,50	1 485,90	5,95	1,37	6,12	1,02	1,02	12,700	2,29	40	PHG D-585-H...
	118	59,00	1 498,60	5,95	1,37	6,12	1,02	1,02	12,700	2,29	40	PHG D-590-H...
	120	60,00	1 524,00	5,95	1,37	6,12	1,02	1,02	12,700	2,29	40	PHG D-600-H...
	121	60,50	1 536,70	5,95	1,37	6,12	1,02	1,02	12,700	2,29	40	PHG D-605-H...
	122	61,00	1 549,40	5,95	1,37	6,12	1,02	1,02	12,700	2,29	40	PHG D-610-H...
	125	62,50	1 587,50	5,95	1,37	6,12	1,02	1,02	12,700	2,29	40	PHG D-625-H...
	126	63,00	1 600,20	5,95	1,37	6,12	1,02	1,02	12,700	2,29	40	PHG D-630-H...
	128	64,00	1 625,60	5,95	1,37	6,12	1,02	1,02	12,700	2,29	40	PHG D-640-H...
	130	65,00	1 651,00	5,95	1,37	6,12	1,02	1,02	12,700	2,29	40	PHG D-650-H...
	132	66,00	1 676,40	5,95	1,37	6,12	1,02	1,02	12,700	2,29	40	PHG D-660-H...
	134	67,00	1 701,80	5,95	1,37	6,12	1,02	1,02	12,700	2,29	40	PHG D-670-H...
	136	68,00	1 727,20	5,95	1,37	6,12	1,02	1,02	12,700	2,29	40	PHG D-680-H...
	138	69,00	1 752,60	5,95	1,37	6,12	1,02	1,02	12,700	2,29	40	PHG D-690-H...
	139	69,50	1 765,30	5,95	1,37	6,12	1,02	1,02	12,700	2,29	40	PHG D-695-H...
	140	70,00	1 778,00	5,95	1,37	6,12	1,02	1,02	12,700	2,29	40	PHG D-700-H...
	142	71,00	1 803,40	5,95	1,37	6,12	1,02	1,02	12,700	2,29	40	PHG D-710-H...
	144	72,00	1 828,80	5,95	1,37	6,12	1,02	1,02	12,700	2,29	40	PHG D-720-H...
	145	72,50	1 841,50	5,95	1,37	6,12	1,02	1,02	12,700	2,29	40	PHG D-725-H...
	146	73,00	1 854,20	5,95	1,37	6,12	1,02	1,02	12,700	2,29	40	PHG D-730-H...
	148	74,00	1 879,60	5,95	1,37	6,12	1,02	1,02	12,700	2,29	40	PHG D-740-H...
	150	75,00	1 905,00	5,95	1,37	6,12	1,02	1,02	12,700	2,29	40	PHG D-750-H...
	154	77,00	1 955,80	5,95	1,37	6,12	1,02	1,02	12,700	2,29	40	PHG D-770-H...
	155	77,50	1 968,50	5,95	1,37	6,12	1,02	1,02	12,700	2,29	40	PHG D-775-H...
	157	78,50	1 993,90	5,95	1,37	6,12	1,02	1,02	12,700	2,29	40	PHG D-785-H...
	160	80,00	2 032,00	5,95	1,37	6,12	1,02	1,02	12,700	2,29	40	PHG D-800-H...
	162	81,00	2 057,40	5,95	1,37	6,12	1,02	1,02	12,700	2,29	40	PHG D-810-H...
	164	82,00	2 082,80	5,95	1,37	6,12	1,02	1,02	12,700	2,29	40	PHG D-820-H...
	166	83,00	2 108,20	5,95	1,37	6,12	1,02	1,02	12,700	2,29	40	PHG D-830-H...
	168	84,00	2 133,60	5,95	1,37	6,12	1,02	1,02	12,700	2,29	40	PHG D-840-H...
	170	85,00	2 159,00	5,95	1,37	6,12	1,02	1,02	12,700	2,29	40	PHG D-850-H...
	172	86,00	2 184,40	5,95	1,37	6,12	1,02	1,02	12,700	2,29	40	PHG D-860-H...
	176	88,00	2 235,20	5,95	1,37	6,12	1,02	1,02	12,700	2,29	40	PHG D-880-H...
	179	89,50	2 273,30	5,95	1,37	6,12	1,02	1,02	12,700	2,29	40	PHG D-895-H...
	180	90,00	2 286,00	5,95	1,37	6,12	1,02	1,02	12,700	2,29	40	PHG D-900-H...
	184	92,00	2 336,80	5,95	1,37	6,12	1,02	1,02	12,700	2,29	40	PHG D-920-H...
	186	93,00	2 362,20	5,95	1,37	6,12	1,02	1,02	12,700	2,29	40	PHG D-930-H...
	190	95,00	2 413,00	5,95	1,37	6,12	1,02	1,02	12,700	2,29	40	PHG D-950-H...
	192	96,00	2 438,40	5,95	1,37	6,12	1,02	1,02	12,700	2,29	40	PHG D-960-H...
	196	98,00	2 489,20	5,95	1,37	6,12	1,02	1,02	12,700	2,29	40	PHG D-980-H...
	197	98,50	2 501,90	5,95	1,37	6,12	1,02	1,02	12,700	2,29	40	PHG D-985-H...
	200	100,00	2 540,00	5,95	1,37	6,12	1,02	1,02	12,700	2,29	40	PHG D-1000-H...
	204	102,00	2 590,80	5,95	1,37	6,12	1,02	1,02	12,700	2,29	40	PHG D-1020-H...
	206	103,00	2 616,20	5,95	1,37	6,12	1,02	1,02	12,700	2,29	40	PHG D-1030-H...
	210	105,00	2 667,00	5,95	1,37	6,12	1,02	1,02	12,700	2,29	40	PHG D-1050-H...
	217	108,50	2 755,90	5,95	1,37	6,12	1,02	1,02	12,700	2,29	40	PHG D-1085-H...
	220	110,00	2 794,00	5,95	1,37	6,12	1,02	1,02	12,700	2,29	40	PHG D-1100-H...
	224	112,00	2 844,80	5,95	1,37	6,12	1,02	1,02	12,700	2,29	40	PHG D-1120-H...
	226	113,00	2 870,20	5,95	1,37	6,12	1,02	1,02	12,700	2,29	40	PHG D-1130-H...
	228	114,00	2 895,60	5,95	1,37	6,12	1,02	1,02	12,700	2,29	40	PHG D-1140-H...
	230	115,00	2 921,00	5,95	1,37	6,12	1,02	1,02	12,700	2,29	40	PHG D-1150-H...
	234	117,00	2 971,80	5,95	1,37	6,12	1,02	1,02	12,700	2,29	40	PHG D-1170-H...
	235	117,50	2 984,50	5,95	1,37	6,12	1,02	1,02	12,700	2,29	40	PHG D-1175-H...
	240	120,00	3 048,00	5,95	1,37	6,12	1,02	1,02	12,700	2,29	40	PHG D-1200-H...
	250	125,00	3 175,00	5,95	1,37	6,12	1,02	1,02	12,700	2,29	40	PHG D-1250-H...
	252	126,00	3 200,40	5,95	1,37	6,12	1,02	1,02	12,700	2,29	40	PHG D-1260-H...
	254	127,00	3 225,80	5,95	1,37	6,12	1,02	1,02	12,700	2,29	40	PHG D-1270-H...
	265	132,50	3 365,50	5,95	1,37	6,12	1,02	1,02	12,700	2,29	40	PHG D-1325-H...
	270	135,00	3 429,00	5,95	1,37	6,12	1,02	1,02	12,700	2,29	40	PHG D-1350-H...
	272	136,00	3 454,40	5,95	1,37	6,12	1,02	1,02	12,700	2,29	40	PHG D-1360-H...
	276	138,00	3 505,20	5,95	1,37	6,12	1,02	1,02	12,700	2,29	40	PHG D-1380-H...

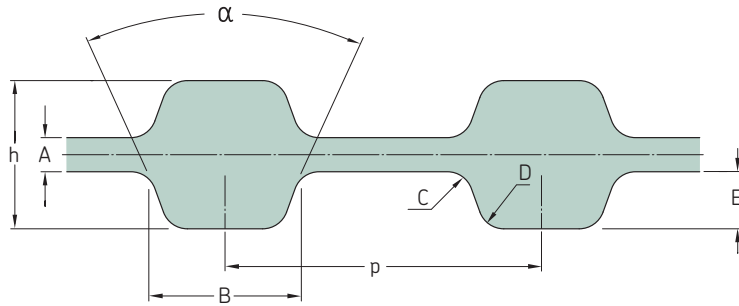
Non-standard lengths may also be available.

To complete designation add three digits for belt width in 1/100ths of an inch; e.g. for a 1/4" width add 025 or for a 3/8" width add 037.

Full sleeves are available in various widths. Please contact your SKF Authorized Distributor.

SKF Double-sided Classical Timing Belts

D-H

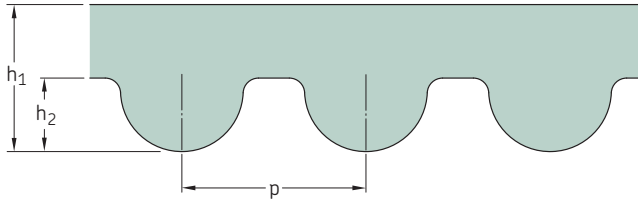


Section	Number of teeth per side	Dimensions		h	A	B	C	D	p	E	α	Designation
		Pitch length										
-	-	in.	mm								°	-
D-H	280	140,00	3 556,00	5,95	1,37	6,12	1,02	1,02	12,700	2,29	40	PHG D-1400-H-...
	288	144,00	3 657,60	5,95	1,37	6,12	1,02	1,02	12,700	2,29	40	PHG D-1440-H-...
	290	145,00	3 683,00	5,95	1,37	6,12	1,02	1,02	12,700	2,29	40	PHG D-1450-H-...
	292	146,00	3 708,40	5,95	1,37	6,12	1,02	1,02	12,700	2,29	40	PHG D-1460-H-...
	302	151,00	3 835,40	5,95	1,37	6,12	1,02	1,02	12,700	2,29	40	PHG D-1510-H-...
	307	153,50	3 898,90	5,95	1,37	6,12	1,02	1,02	12,700	2,29	40	PHG D-1535-H-...
	310	155,00	3 937,00	5,95	1,37	6,12	1,02	1,02	12,700	2,29	40	PHG D-1550-H-...
	312	156,00	3 962,40	5,95	1,37	6,12	1,02	1,02	12,700	2,29	40	PHG D-1560-H-...
	320	160,00	4 064,00	5,95	1,37	6,12	1,02	1,02	12,700	2,29	40	PHG D-1600-H-...
	326	163,00	4 140,20	5,95	1,37	6,12	1,02	1,02	12,700	2,29	40	PHG D-1630-H-...
	332	166,00	4 216,40	5,95	1,37	6,12	1,02	1,02	12,700	2,29	40	PHG D-1660-H-...
	336	168,00	4 267,20	5,95	1,37	6,12	1,02	1,02	12,700	2,29	40	PHG D-1680-H-...
	340	170,00	4 318,00	5,95	1,37	6,12	1,02	1,02	12,700	2,29	40	PHG D-1700-H-...
	350	175,00	4 445,00	5,95	1,37	6,12	1,02	1,02	12,700	2,29	40	PHG D-1750-H-...
	353	176,50	4 483,10	5,95	1,37	6,12	1,02	1,02	12,700	2,29	40	PHG D-1765-H-...
	371	185,50	4 711,70	5,95	1,37	6,12	1,02	1,02	12,700	2,29	40	PHG D-1855-H-...
	440	220,00	5 588,00	5,95	1,37	6,12	1,02	1,02	12,700	2,29	40	PHG D-2200-H-...
	442	221,00	5 613,40	5,95	1,37	6,12	1,02	1,02	12,700	2,29	40	PHG D-2210-H-...
	472	236,00	5 994,40	5,95	1,37	6,12	1,02	1,02	12,700	2,29	40	PHG D-2360-H-...
	500	250,00	6 350,00	5,95	1,37	6,12	1,02	1,02	12,700	2,29	40	PHG D-2500-H-...
	520	260,00	6 604,00	5,95	1,37	6,12	1,02	1,02	12,700	2,29	40	PHG D-2600-H-...
	536	268,00	6 807,20	5,95	1,37	6,12	1,02	1,02	12,700	2,29	40	PHG D-2680-H-...
	540	270,00	6 858,00	5,95	1,37	6,12	1,02	1,02	12,700	2,29	40	PHG D-2700-H-...
	544	272,00	6 908,80	5,95	1,37	6,12	1,02	1,02	12,700	2,29	40	PHG D-2720-H-...

Non-standard lengths may also be available.

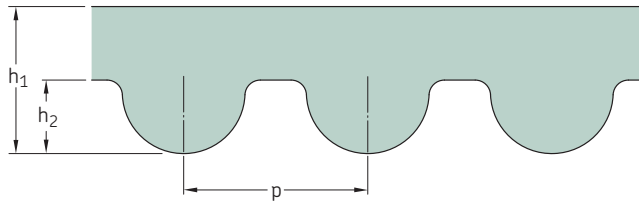
To complete designation add three digits for belt width in 1/100ths of an inch; e.g. for a 1/4" width add 025 or for a 3/8" width add 037.

Full sleeves are available in various widths. Please contact your SKF Authorized Distributor.



Section	Number of teeth per side	Dimensions			Designation	Section	Number of teeth per side	Dimensions			Designation		
		Pitch length	h_1	h_2				p	Pitch length	h_1		h_2	p
		mm					mm						
3M	20	60	2,4	1,20	3,0	PHG 60-3M-...	3M	97	291	2,4	1,20	3,0	PHG 291-3M-...
	27	81	2,4	1,20	3,0	PHG 81-3M-...		98	294	2,4	1,20	3,0	PHG 294-3M-...
	29	87	2,4	1,20	3,0	PHG 87-3M-...		99	297	2,4	1,20	3,0	PHG 297-3M-...
	30	90	2,4	1,20	3,0	PHG 90-3M-...		100	300	2,4	1,20	3,0	PHG 300-3M-...
	33	99	2,4	1,20	3,0	PHG 99-3M-...		102	306	2,4	1,20	3,0	PHG 306-3M-...
	34	102	2,4	1,20	3,0	PHG 102-3M-...		103	309	2,4	1,20	3,0	PHG 309-3M-...
	37	111	2,4	1,20	3,0	PHG 111-3M-...		104	312	2,4	1,20	3,0	PHG 312-3M-...
	39	117	2,4	1,20	3,0	PHG 117-3M-...		106	318	2,4	1,20	3,0	PHG 318-3M-...
	40	120	2,4	1,20	3,0	PHG 120-3M-...		108	324	2,4	1,20	3,0	PHG 324-3M-...
	43	129	2,4	1,20	3,0	PHG 129-3M-...		109	327	2,4	1,20	3,0	PHG 327-3M-...
	44	132	2,4	1,20	3,0	PHG 132-3M-...		110	330	2,4	1,20	3,0	PHG 330-3M-...
	46	138	2,4	1,20	3,0	PHG 138-3M-...		111	333	2,4	1,20	3,0	PHG 333-3M-...
	47	141	2,4	1,20	3,0	PHG 141-3M-...		112	336	2,4	1,20	3,0	PHG 336-3M-...
	48	144	2,4	1,20	3,0	PHG 144-3M-...		113	339	2,4	1,20	3,0	PHG 339-3M-...
	50	150	2,4	1,20	3,0	PHG 150-3M-...		114	342	2,4	1,20	3,0	PHG 342-3M-...
	51	153	2,4	1,20	3,0	PHG 153-3M-...		115	345	2,4	1,20	3,0	PHG 345-3M-...
	52	156	2,4	1,20	3,0	PHG 156-3M-...		116	348	2,4	1,20	3,0	PHG 348-3M-...
	53	159	2,4	1,20	3,0	PHG 159-3M-...		119	357	2,4	1,20	3,0	PHG 357-3M-...
	54	162	2,4	1,20	3,0	PHG 162-3M-...		120	360	2,4	1,20	3,0	PHG 360-3M-...
	55	165	2,4	1,20	3,0	PHG 165-3M-...		121	363	2,4	1,20	3,0	PHG 363-3M-...
	56	168	2,4	1,20	3,0	PHG 168-3M-...		122	366	2,4	1,20	3,0	PHG 366-3M-...
	57	171	2,4	1,20	3,0	PHG 171-3M-...		125	375	2,4	1,20	3,0	PHG 375-3M-...
	58	174	2,4	1,20	3,0	PHG 174-3M-...		128	384	2,4	1,20	3,0	PHG 384-3M-...
	59	177	2,4	1,20	3,0	PHG 177-3M-...		130	390	2,4	1,20	3,0	PHG 390-3M-...
	60	180	2,4	1,20	3,0	PHG 180-3M-...		131	393	2,4	1,20	3,0	PHG 393-3M-...
	61	183	2,4	1,20	3,0	PHG 183-3M-...		132	396	2,4	1,20	3,0	PHG 396-3M-...
	62	186	2,4	1,20	3,0	PHG 186-3M-...		133	399	2,4	1,20	3,0	PHG 399-3M-...
	63	189	2,4	1,20	3,0	PHG 189-3M-...		140	420	2,4	1,20	3,0	PHG 420-3M-...
	64	192	2,4	1,20	3,0	PHG 192-3M-...		141	423	2,4	1,20	3,0	PHG 423-3M-...
	65	195	2,4	1,20	3,0	PHG 195-3M-...		142	426	2,4	1,20	3,0	PHG 426-3M-...
	66	198	2,4	1,20	3,0	PHG 198-3M-...		148	444	2,4	1,20	3,0	PHG 444-3M-...
	67	201	2,4	1,20	3,0	PHG 201-3M-...		149	447	2,4	1,20	3,0	PHG 447-3M-...
	68	204	2,4	1,20	3,0	PHG 204-3M-...		152	456	2,4	1,20	3,0	PHG 456-3M-...
	69	207	2,4	1,20	3,0	PHG 207-3M-...		153	459	2,4	1,20	3,0	PHG 459-3M-...
	70	210	2,4	1,20	3,0	PHG 210-3M-...		154	462	2,4	1,20	3,0	PHG 462-3M-...
	71	213	2,4	1,20	3,0	PHG 213-3M-...		156	468	2,4	1,20	3,0	PHG 468-3M-...
	74	222	2,4	1,20	3,0	PHG 222-3M-...		157	471	2,4	1,20	3,0	PHG 471-3M-...
	75	225	2,4	1,20	3,0	PHG 225-3M-...		158	474	2,4	1,20	3,0	PHG 474-3M-...
	76	228	2,4	1,20	3,0	PHG 228-3M-...		159	477	2,4	1,20	3,0	PHG 477-3M-...
	78	234	2,4	1,20	3,0	PHG 234-3M-...		160	480	2,4	1,20	3,0	PHG 480-3M-...
	79	237	2,4	1,20	3,0	PHG 237-3M-...		161	483	2,4	1,20	3,0	PHG 483-3M-...
	80	240	2,4	1,20	3,0	PHG 240-3M-...		162	486	2,4	1,20	3,0	PHG 486-3M-...
	82	246	2,4	1,20	3,0	PHG 246-3M-...		163	489	2,4	1,20	3,0	PHG 489-3M-...
	83	249	2,4	1,20	3,0	PHG 249-3M-...		164	492	2,4	1,20	3,0	PHG 492-3M-...
	84	252	2,4	1,20	3,0	PHG 252-3M-...		165	495	2,4	1,20	3,0	PHG 495-3M-...
	85	255	2,4	1,20	3,0	PHG 255-3M-...		167	501	2,4	1,20	3,0	PHG 501-3M-...
	86	258	2,4	1,20	3,0	PHG 258-3M-...		169	507	2,4	1,20	3,0	PHG 507-3M-...
	87	261	2,4	1,20	3,0	PHG 261-3M-...		170	510	2,4	1,20	3,0	PHG 510-3M-...
	88	264	2,4	1,20	3,0	PHG 264-3M-...		171	513	2,4	1,20	3,0	PHG 513-3M-...
	89	267	2,4	1,20	3,0	PHG 267-3M-...		173	519	2,4	1,20	3,0	PHG 519-3M-...
	90	270	2,4	1,20	3,0	PHG 270-3M-...		174	522	2,4	1,20	3,0	PHG 522-3M-...
	92	276	2,4	1,20	3,0	PHG 276-3M-...		177	531	2,4	1,20	3,0	PHG 531-3M-...
	94	282	2,4	1,20	3,0	PHG 282-3M-...		179	537	2,4	1,20	3,0	PHG 537-3M-...
	95	285	2,4	1,20	3,0	PHG 285-3M-...		180	540	2,4	1,20	3,0	PHG 540-3M-...
	96	288	2,4	1,20	3,0	PHG 288-3M-...		186	558	2,4	1,20	3,0	PHG 558-3M-...

Non-standard lengths may also be available.
To complete designation add belt width in mm.
Full sleeves are available in various widths. Please contact your SKF Authorized Distributor.



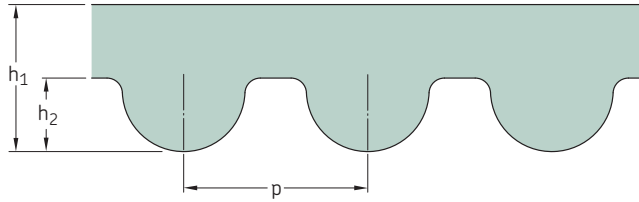
Section	Number of teeth per side	Dimensions			Designation	
		Pitch length	h_1	h_2		
		mm				
3M	188	564	2,4	1,20	3,0	PHG 564-3M-...
	190	570	2,4	1,20	3,0	PHG 570-3M-...
	191	573	2,4	1,20	3,0	PHG 573-3M-...
	192	576	2,4	1,20	3,0	PHG 576-3M-...
	193	579	2,4	1,20	3,0	PHG 579-3M-...
	194	582	2,4	1,20	3,0	PHG 582-3M-...
	197	591	2,4	1,20	3,0	PHG 591-3M-...
	199	597	2,4	1,20	3,0	PHG 597-3M-...
	200	600	2,4	1,20	3,0	PHG 600-3M-...
	202	606	2,4	1,20	3,0	PHG 606-3M-...
	203	609	2,4	1,20	3,0	PHG 609-3M-...
	204	612	2,4	1,20	3,0	PHG 612-3M-...
	210	630	2,4	1,20	3,0	PHG 630-3M-...
	211	633	2,4	1,20	3,0	PHG 633-3M-...
	213	639	2,4	1,20	3,0	PHG 639-3M-...
	216	648	2,4	1,20	3,0	PHG 648-3M-...
	218	654	2,4	1,20	3,0	PHG 654-3M-...
	219	657	2,4	1,20	3,0	PHG 657-3M-...
	223	669	2,4	1,20	3,0	PHG 669-3M-...
	225	675	2,4	1,20	3,0	PHG 675-3M-...
	228	684	2,4	1,20	3,0	PHG 684-3M-...
	233	699	2,4	1,20	3,0	PHG 699-3M-...
	233	699	2,4	1,20	3,0	PHG 699-3M-...
	236	708	2,4	1,20	3,0	PHG 708-3M-...
	237	711	2,4	1,20	3,0	PHG 711-3M-...
	240	720	2,4	1,20	3,0	PHG 720-3M-...
	250	750	2,4	1,20	3,0	PHG 750-3M-...
	251	753	2,4	1,20	3,0	PHG 753-3M-...
	267	801	2,4	1,20	3,0	PHG 801-3M-...
	268	804	2,4	1,20	3,0	PHG 804-3M-...
	271	813	2,4	1,20	3,0	PHG 813-3M-...
	274	822	2,4	1,20	3,0	PHG 822-3M-...
	281	843	2,4	1,20	3,0	PHG 843-3M-...
	295	885	2,4	1,20	3,0	PHG 885-3M-...
	313	939	2,4	1,20	3,0	PHG 939-3M-...
	323	969	2,4	1,20	3,0	PHG 969-3M-...
	375	1 125	2,4	1,20	3,0	PHG 1125-3M-...
	403	1 209	2,4	1,20	3,0	PHG 1209-3M-...
	415	1 245	2,4	1,20	3,0	PHG 1245-3M-...
	421	1 263	2,4	1,20	3,0	PHG 1263-3M-...
	448	1 344	2,4	1,20	3,0	PHG 1344-3M-...
	467	1 401	2,4	1,20	3,0	PHG 1401-3M-...
	523	1 569	2,4	1,20	3,0	PHG 1569-3M-...
	529	1 587	2,4	1,20	3,0	PHG 1587-3M-...
	600	1 800	2,4	1,20	3,0	PHG 1800-3M-...
	650	1 950	2,4	1,20	3,0	PHG 1950-3M-...
	720	2 160	2,4	1,20	3,0	PHG 2160-3M-...
	796	2 388	2,4	1,20	3,0	PHG 2388-3M-...
	880	2 640	2,4	1,20	3,0	PHG 2640-3M-...
	1 000	3 000	2,4	1,20	3,0	PHG 3000-3M-...
	1 070	3 210	2,4	1,20	3,0	PHG 3210-3M-...
	1 130	3 390	2,4	1,20	3,0	PHG 3390-3M-...
	2 268	6 804	2,4	1,20	3,0	PHG 6804-3M-...
5M	36	180	3,6	2,10	5,0	PHG 180-5M-...

Section	Number of teeth per side	Dimensions			Designation	
		Pitch length	h_1	h_2		
		mm				
5M	40	200	3,6	2,10	5,0	PHG 200-5M-...
	42	210	3,6	2,10	5,0	PHG 210-5M-...
	43	215	3,6	2,10	5,0	PHG 215-5M-...
	45	225	3,6	2,10	5,0	PHG 225-5M-...
	46	230	3,6	2,10	5,0	PHG 230-5M-...
	47	235	3,6	2,10	5,0	PHG 235-5M-...
	49	245	3,6	2,10	5,0	PHG 245-5M-...
	50	250	3,6	2,10	5,0	PHG 250-5M-...
	51	255	3,6	2,10	5,0	PHG 255-5M-...
	52	260	3,6	2,10	5,0	PHG 260-5M-...
	53	265	3,6	2,10	5,0	PHG 265-5M-...
	54	270	3,6	2,10	5,0	PHG 270-5M-...
	56	280	3,6	2,10	5,0	PHG 280-5M-...
	57	285	3,6	2,10	5,0	PHG 285-5M-...
	59	295	3,6	2,10	5,0	PHG 295-5M-...
	60	300	3,6	2,10	5,0	PHG 300-5M-...
	61	305	3,6	2,10	5,0	PHG 305-5M-...
	62	310	3,6	2,10	5,0	PHG 310-5M-...
	64	320	3,6	2,10	5,0	PHG 320-5M-...
	65	325	3,6	2,10	5,0	PHG 325-5M-...
	66	330	3,6	2,10	5,0	PHG 330-5M-...
	68	340	3,6	2,10	5,0	PHG 340-5M-...
	69	345	3,6	2,10	5,0	PHG 345-5M-...
	70	350	3,6	2,10	5,0	PHG 350-5M-...
	72	360	3,6	2,10	5,0	PHG 360-5M-...
	73	365	3,6	2,10	5,0	PHG 365-5M-...
	74	370	3,6	2,10	5,0	PHG 370-5M-...
	75	375	3,6	2,10	5,0	PHG 375-5M-...
	76	380	3,6	2,10	5,0	PHG 380-5M-...
	77	385	3,6	2,10	5,0	PHG 385-5M-...
	78	390	3,6	2,10	5,0	PHG 390-5M-...
	79	395	3,6	2,10	5,0	PHG 395-5M-...
	80	400	3,6	2,10	5,0	PHG 400-5M-...
	80	400	3,6	2,10	5,0	PHG 405-5M-...
	82	410	3,6	2,10	5,0	PHG 410-5M-...
	84	420	3,6	2,10	5,0	PHG 420-5M-...
	85	425	3,6	2,10	5,0	PHG 425-5M-...
	86	430	3,6	2,10	5,0	PHG 430-5M-...
	87	435	3,6	2,10	5,0	PHG 435-5M-...
	88	440	3,6	2,10	5,0	PHG 440-5M-...
	89	445	3,6	2,10	5,0	PHG 445-5M-...
	90	450	3,6	2,10	5,0	PHG 450-5M-...
	92	460	3,6	2,10	5,0	PHG 460-5M-...
	93	465	3,6	2,10	5,0	PHG 465-5M-...
	94	470	3,6	2,10	5,0	PHG 470-5M-...
	95	475	3,6	2,10	5,0	PHG 475-5M-...
	96	480	3,6	2,10	5,0	PHG 480-5M-...
	98	490	3,6	2,10	5,0	PHG 490-5M-...
	100	500	3,6	2,10	5,0	PHG 500-5M-...
	101	505	3,6	2,10	5,0	PHG 505-5M-...
	102	510	3,6	2,10	5,0	PHG 510-5M-...
	104	520	3,6	2,10	5,0	PHG 520-5M-...
	105	525	3,6	2,10	5,0	PHG 525-5M-...
	106	530	3,6	2,10	5,0	PHG 530-5M-...
	107	535	3,6	2,10	5,0	PHG 535-5M-...

Non-standard lengths may also be available.
 To complete designation add belt width in mm.
 Full sleeves are available in various widths. Please contact your SKF Authorized Distributor.

Section	Number of teeth per side	Dimensions			Designation	Section	Number of teeth per side	Dimensions			Designation			
		Pitch length	h_1	h_2				p	Pitch length	h_1		h_2	p	
–	–	mm	–	–	–	–	mm	–	–	–	–			
5M	108	540	3,6	2,10	5,0	PHG 540-5M-...	5M	254	1 270	3,6	2,10	5,0	PHG 1270-5M-...	
	110	550	3,6	2,10	5,0	PHG 550-5M-...		258	1 290	3,6	2,10	5,0	PHG 1290-5M-...	
	112	560	3,6	2,10	5,0	PHG 560-5M-...		259	1 295	3,6	2,10	5,0	PHG 1295-5M-...	
	113	565	3,6	2,10	5,0	PHG 565-5M-...		260	1 300	3,6	2,10	5,0	PHG 1300-5M-...	
	114	570	3,6	2,10	5,0	PHG 570-5M-...		268	1 340	3,6	2,10	5,0	PHG 1340-5M-...	
	115	575	3,6	2,10	5,0	PHG 575-5M-...		270	1 350	3,6	2,10	5,0	PHG 1350-5M-...	
	116	580	3,6	2,10	5,0	PHG 580-5M-...		275	1 375	3,6	2,10	5,0	PHG 1375-5M-...	
	117	585	3,6	2,10	5,0	PHG 585-5M-...		280	1 400	3,6	2,10	5,0	PHG 1400-5M-...	
	118	590	3,6	2,10	5,0	PHG 590-5M-...		282	1 410	3,6	2,10	5,0	PHG 1410-5M-...	
	120	600	3,6	2,10	5,0	PHG 600-5M-...		284	1 420	3,6	2,10	5,0	PHG 1420-5M-...	
	121	605	3,6	2,10	5,0	PHG 605-5M-...		290	1 450	3,6	2,10	5,0	PHG 1450-5M-...	
	122	610	3,6	2,10	5,0	PHG 610-5M-...		291	1 455	3,6	2,10	5,0	PHG 1455-5M-...	
	123	615	3,6	2,10	5,0	PHG 615-5M-...		300	1 500	3,6	2,10	5,0	PHG 1500-5M-...	
	124	620	3,6	2,10	5,0	PHG 620-5M-...		319	1 595	3,6	2,10	5,0	PHG 1595-5M-...	
	125	625	3,6	2,10	5,0	PHG 625-5M-...		320	1 600	3,6	2,10	5,0	PHG 1600-5M-...	
	126	630	3,6	2,10	5,0	PHG 630-5M-...		337	1 685	3,6	2,10	5,0	PHG 1685-5M-...	
	127	635	3,6	2,10	5,0	PHG 635-5M-...		338	1 690	3,6	2,10	5,0	PHG 1690-5M-...	
	128	640	3,6	2,10	5,0	PHG 640-5M-...		340	1 700	3,6	2,10	5,0	PHG 1700-5M-...	
	129	645	3,6	2,10	5,0	PHG 645-5M-...		346	1 730	3,6	2,10	5,0	PHG 1730-5M-...	
	130	650	3,6	2,10	5,0	PHG 650-5M-...		354	1 770	3,6	2,10	5,0	PHG 1770-5M-...	
	131	655	3,6	2,10	5,0	PHG 655-5M-...		358	1 790	3,6	2,10	5,0	PHG 1790-5M-...	
	133	665	3,6	2,10	5,0	PHG 665-5M-...		360	1 800	3,6	2,10	5,0	PHG 1800-5M-...	
	134	670	3,6	2,10	5,0	PHG 670-5M-...		374	1 870	3,6	2,10	5,0	PHG 1870-5M-...	
	135	675	3,6	2,10	5,0	PHG 675-5M-...		379	1 895	3,6	2,10	5,0	PHG 1895-5M-...	
	137	685	3,6	2,10	5,0	PHG 685-5M-...		389	1 945	3,6	2,10	5,0	PHG 1945-5M-...	
	138	690	3,6	2,10	5,0	PHG 690-5M-...		400	2 000	3,6	2,10	5,0	PHG 2000-5M-...	
	139	695	3,6	2,10	5,0	PHG 695-5M-...		410	2 050	3,6	2,10	5,0	PHG 2050-5M-...	
	140	700	3,6	2,10	5,0	PHG 700-5M-...		420	2 100	3,6	2,10	5,0	PHG 2100-5M-...	
	142	710	3,6	2,10	5,0	PHG 710-5M-...		432	2 160	3,6	2,10	5,0	PHG 2160-5M-...	
	142	710	3,6	2,10	5,0	PHG 715-5M-...		450	2 250	3,6	2,10	5,0	PHG 2250-5M-...	
	144	720	3,6	2,10	5,0	PHG 720-5M-...		470	2 350	3,6	2,10	5,0	PHG 2350-5M-...	
	145	725	3,6	2,10	5,0	PHG 725-5M-...		474	2 370	3,6	2,10	5,0	PHG 2370-5M-...	
	148	740	3,6	2,10	5,0	PHG 740-5M-...		492	2 460	3,6	2,10	5,0	PHG 2460-5M-...	
	149	745	3,6	2,10	5,0	PHG 745-5M-...		505	2 525	3,6	2,10	5,0	PHG 2525-5M-...	
	150	750	3,6	2,10	5,0	PHG 750-5M-...		527	2 635	3,6	2,10	5,0	PHG 2635-5M-...	
	151	755	3,6	2,10	5,0	PHG 755-5M-...		605	3 025	3,6	2,10	5,0	PHG 3025-5M-...	
	154	770	3,6	2,10	5,0	PHG 770-5M-...		612	3 060	3,6	2,10	5,0	PHG 3060-5M-...	
	155	775	3,6	2,10	5,0	PHG 775-5M-...		651	3 255	3,6	2,10	5,0	PHG 3255-5M-...	
	156	780	3,6	2,10	5,0	PHG 780-5M-...		686	3 430	3,6	2,10	5,0	PHG 3430-5M-...	
	158	790	3,6	2,10	5,0	PHG 790-5M-...		732	3 660	3,6	2,10	5,0	PHG 3660-5M-...	
	160	800	3,6	2,10	5,0	PHG 800-5M-...		750	3 750	3,6	2,10	5,0	PHG 3750-5M-...	
	162	810	3,6	2,10	5,0	PHG 810-5M-...		754	3 770	3,6	2,10	5,0	PHG 3770-5M-...	
	165	825	3,6	2,10	5,0	PHG 825-5M-...		760	3 800	3,6	2,10	5,0	PHG 3800-5M-...	
	166	830	3,6	2,10	5,0	PHG 830-5M-...		852	4 260	3,6	2,10	5,0	PHG 4260-5M-...	
	167	835	3,6	2,10	5,0	PHG 835-5M-...		1 060	5 300	3,6	2,10	5,0	PHG 5300-5M-...	
	170	850	3,6	2,10	5,0	PHG 850-5M-...		1 400	7 000	3,6	2,10	5,0	PHG 7000-5M-...	
	172	860	3,6	2,10	5,0	PHG 860-5M-...		8M	23	184	5,6	3,88	8,0	PHG 184-8M-...
	174	870	3,6	2,10	5,0	PHG 870-5M-...			36	288	5,6	3,88	8,0	PHG 288-8M-...
	178	890	3,6	2,10	5,0	PHG 890-5M-...			40	320	5,6	3,88	8,0	PHG 320-8M-...
	180	900	3,6	2,10	5,0	PHG 900-5M-...			41	328	5,6	3,88	8,0	PHG 328-8M-...
	182	910	3,6	2,10	5,0	PHG 910-5M-...			42	336	5,6	3,88	8,0	PHG 336-8M-...
	184	920	3,6	2,10	5,0	PHG 920-5M-...			46	368	5,6	3,88	8,0	PHG 368-8M-...
	185	925	3,6	2,10	5,0	PHG 925-5M-...			47	376	5,6	3,88	8,0	PHG 376-8M-...
	187	935	3,6	2,10	5,0	PHG 935-5M-...			48	384	5,6	3,88	8,0	PHG 384-8M-...
	188	940	3,6	2,10	5,0	PHG 940-5M-...			50	400	5,6	3,88	8,0	PHG 400-8M-...
	190	950	3,6	2,10	5,0	PHG 950-5M-...			51	408	5,6	3,88	8,0	PHG 408-8M-...
	192	960	3,6	2,10	5,0	PHG 960-5M-...			52	416	5,6	3,88	8,0	PHG 416-8M-...
	193	965	3,6	2,10	5,0	PHG 965-5M-...			53	424	5,6	3,88	8,0	PHG 424-8M-...
	195	975	3,6	2,10	5,0	PHG 975-5M-...			55	440	5,6	3,88	8,0	PHG 440-8M-...
	196	980	3,6	2,10	5,0	PHG 980-5M-...			56	448	5,6	3,88	8,0	PHG 448-8M-...
	200	1 000	3,6	2,10	5,0	PHG 1000-5M-...			59	472	5,6	3,88	8,0	PHG 472-8M-...
	205	1 025	3,6	2,10	5,0	PHG 1025-5M-...			60	480	5,6	3,88	8,0	PHG 480-8M-...
	207	1 035	3,6	2,10	5,0	PHG 1035-5M-...			64	512	5,6	3,88	8,0	PHG 512-8M-...
	210	1 050	3,6	2,10	5,0	PHG 1050-5M-...			65	520	5,6	3,88	8,0	PHG 520-8M-...
	220	1 100	3,6	2,10	5,0	PHG 1100-5M-...			67	536	5,6	3,88	8,0	PHG 536-8M-...
	223	1 115	3,6	2,10	5,0	PHG 1115-5M-...			68	544	5,6	3,88	8,0	PHG 544-8M-...
	225	1 125	3,6	2,10	5,0	PHG 1125-5M-...			70	560	5,6	3,88	8,0	PHG 560-8M-...
	227	1 135	3,6	2,10	5,0	PHG 1135-5M-...			71	568	5,6	3,88	8,0	PHG 568-8M-...
	229	1 145	3,6	2,10	5,0	PHG 1145-5M-...			72	576	5,6	3,88	8,0	PHG 576-8M-...
	235	1 175	3,6	2,10	5,0	PHG 1175-5M-...			73	584	5,6	3,88	8,0	PHG 584-8M-...
	236	1 180	3,6	2,10	5,0	PHG 1180-5M-...			74	592	5,6	3,88	8,0	PHG 592-8M-...
	239	1 195	3,6	2,10	5,0	PHG 1195-5M-...			75	600	5,6	3,88	8,0	PHG 600-8M-...
	240	1 200	3,6	2,10	5,0	PHG 1200-5M-...			76	608	5,6	3,88	8,0	PHG 608-8M-...
	242	1 210	3,6	2,10	5,0	PHG 1210-5M-...			78	624	5,6	3,88	8,0	PHG 624-8M-...
	245	1 225	3,6	2,10	5,0	PHG 1225-5M-...			79	632	5,6	3,88	8,0	PHG 632-8M-...
	250	1 250	3,6	2,10	5,0	PHG 1250-5M-...			80	640	5,6	3,88	8,0	PHG 640-8M-...

Non-standard lengths may also be available.
 To complete designation add belt width in mm.
 Full sleeves are available in various widths. Please contact your SKF Authorized Distributor.



Section	Number of teeth per side	Dimensions			Designation	
		Pitch length	h_1	h_2		
		mm				
8M	81	648	5,6	3,88	8,0	PHG 648-8M-...
	82	656	5,6	3,88	8,0	PHG 656-8M-...
	85	680	5,6	3,88	8,0	PHG 680-8M-...
	86	688	5,6	3,88	8,0	PHG 688-8M-...
	87	696	5,6	3,88	8,0	PHG 696-8M-...
	89	712	5,6	3,88	8,0	PHG 712-8M-...
	90	720	5,6	3,88	8,0	PHG 720-8M-...
	91	728	5,6	3,88	8,0	PHG 728-8M-...
	92	736	5,6	3,88	8,0	PHG 736-8M-...
	95	760	5,6	3,88	8,0	PHG 760-8M-...
	97	776	5,6	3,88	8,0	PHG 776-8M-...
	98	784	5,6	3,88	8,0	PHG 784-8M-...
	99	792	5,6	3,88	8,0	PHG 792-8M-...
	100	800	5,6	3,88	8,0	PHG 800-8M-...
	102	816	5,6	3,88	8,0	PHG 816-8M-...
	103	824	5,6	3,88	8,0	PHG 824-8M-...
	105	840	5,6	3,88	8,0	PHG 840-8M-...
	106	848	5,6	3,88	8,0	PHG 848-8M-...
	107	856	5,6	3,88	8,0	PHG 856-8M-...
	108	864	5,6	3,88	8,0	PHG 864-8M-...
	109	872	5,6	3,88	8,0	PHG 872-8M-...
	110	880	5,6	3,88	8,0	PHG 880-8M-...
	112	896	5,6	3,88	8,0	PHG 896-8M-...
	114	912	5,6	3,88	8,0	PHG 912-8M-...
	115	920	5,6	3,88	8,0	PHG 920-8M-...
	116	928	5,6	3,88	8,0	PHG 928-8M-...
	117	936	5,6	3,88	8,0	PHG 936-8M-...
	118	944	5,6	3,88	8,0	PHG 944-8M-...
	119	952	5,6	3,88	8,0	PHG 952-8M-...
	120	960	5,6	3,88	8,0	PHG 960-8M-...
	121	968	5,6	3,88	8,0	PHG 968-8M-...
	122	976	5,6	3,88	8,0	PHG 976-8M-...
	125	1 000	5,6	3,88	8,0	PHG 1000-8M-...
	127	1 016	5,6	3,88	8,0	PHG 1016-8M-...
	128	1 024	5,6	3,88	8,0	PHG 1024-8M-...
	130	1 040	5,6	3,88	8,0	PHG 1040-8M-...
	132	1 056	5,6	3,88	8,0	PHG 1056-8M-...
	133	1 064	5,6	3,88	8,0	PHG 1064-8M-...
	135	1 080	5,6	3,88	8,0	PHG 1080-8M-...
	138	1 104	5,6	3,88	8,0	PHG 1104-8M-...
	139	1 112	5,6	3,88	8,0	PHG 1112-8M-...
	140	1 120	5,6	3,88	8,0	PHG 1120-8M-...
	141	1 128	5,6	3,88	8,0	PHG 1128-8M-...
	142	1 136	5,6	3,88	8,0	PHG 1136-8M-...
	144	1 152	5,6	3,88	8,0	PHG 1152-8M-...
	145	1 160	5,6	3,88	8,0	PHG 1160-8M-...
	146	1 168	5,6	3,88	8,0	PHG 1168-8M-...
	148	1 184	5,6	3,88	8,0	PHG 1184-8M-...
	149	1 192	5,6	3,88	8,0	PHG 1192-8M-...
	150	1 200	5,6	3,88	8,0	PHG 1200-8M-...
	151	1 208	5,6	3,88	8,0	PHG 1208-8M-...
	152	1 216	5,6	3,88	8,0	PHG 1216-8M-...
	153	1 224	5,6	3,88	8,0	PHG 1224-8M-...
	155	1 240	5,6	3,88	8,0	PHG 1240-8M-...
	156	1 248	5,6	3,88	8,0	PHG 1248-8M-...

Section	Number of teeth per side	Dimensions			Designation	
		Pitch length	h_1	h_2		
		mm				
8M	157	1 256	5,6	3,88	8,0	PHG 1256-8M-...
	158	1 264	5,6	3,88	8,0	PHG 1264-8M-...
	159	1 272	5,6	3,88	8,0	PHG 1272-8M-...
	160	1 280	5,6	3,88	8,0	PHG 1280-8M-...
	163	1 304	5,6	3,88	8,0	PHG 1304-8M-...
	164	1 312	5,6	3,88	8,0	PHG 1312-8M-...
	165	1 320	5,6	3,88	8,0	PHG 1320-8M-...
	166	1 328	5,6	3,88	8,0	PHG 1328-8M-...
	168	1 344	5,6	3,88	8,0	PHG 1344-8M-...
	169	1 352	5,6	3,88	8,0	PHG 1352-8M-...
	170	1 360	5,6	3,88	8,0	PHG 1360-8M-...
	172	1 376	5,6	3,88	8,0	PHG 1376-8M-...
	174	1 392	5,6	3,88	8,0	PHG 1392-8M-...
	175	1 400	5,6	3,88	8,0	PHG 1400-8M-...
	177	1 416	5,6	3,88	8,0	PHG 1416-8M-...
	178	1 424	5,6	3,88	8,0	PHG 1424-8M-...
	179	1 432	5,6	3,88	8,0	PHG 1432-8M-...
	180	1 440	5,6	3,88	8,0	PHG 1440-8M-...
	182	1 456	5,6	3,88	8,0	PHG 1456-8M-...
	183	1 464	5,6	3,88	8,0	PHG 1464-8M-...
	185	1 480	5,6	3,88	8,0	PHG 1480-8M-...
	189	1 512	5,6	3,88	8,0	PHG 1512-8M-...
	190	1 520	5,6	3,88	8,0	PHG 1520-8M-...
	192	1 536	5,6	3,88	8,0	PHG 1536-8M-...
	194	1 552	5,6	3,88	8,0	PHG 1552-8M-...
	195	1 560	5,6	3,88	8,0	PHG 1560-8M-...
	197	1 576	5,6	3,88	8,0	PHG 1576-8M-...
	200	1 600	5,6	3,88	8,0	PHG 1600-8M-...
	205	1 640	5,6	3,88	8,0	PHG 1640-8M-...
	206	1 648	5,6	3,88	8,0	PHG 1648-8M-...
	210	1 680	5,6	3,88	8,0	PHG 1680-8M-...
	212	1 696	5,6	3,88	8,0	PHG 1696-8M-...
	216	1 728	5,6	3,88	8,0	PHG 1728-8M-...
	220	1 760	5,6	3,88	8,0	PHG 1760-8M-...
	223	1 784	5,6	3,88	8,0	PHG 1784-8M-...
	224	1 792	5,6	3,88	8,0	PHG 1792-8M-...
	225	1 800	5,6	3,88	8,0	PHG 1800-8M-...
	232	1 856	5,6	3,88	8,0	PHG 1856-8M-...
	237	1 896	5,6	3,88	8,0	PHG 1896-8M-...
	238	1 904	5,6	3,88	8,0	PHG 1904-8M-...
	240	1 920	5,6	3,88	8,0	PHG 1920-8M-...
	242	1 936	5,6	3,88	8,0	PHG 1936-8M-...
	244	1 952	5,6	3,88	8,0	PHG 1952-8M-...
	250	2 000	5,6	3,88	8,0	PHG 2000-8M-...
	260	2 080	5,6	3,88	8,0	PHG 2080-8M-...
	262	2 096	5,6	3,88	8,0	PHG 2096-8M-...
	263	2 104	5,6	3,88	8,0	PHG 2104-8M-...
	267	2 136	5,6	3,88	8,0	PHG 2136-8M-...
	270	2 160	5,6	3,88	8,0	PHG 2160-8M-...
	276	2 208	5,6	3,88	8,0	PHG 2208-8M-...
	280	2 240	5,6	3,88	8,0	PHG 2240-8M-...
	281	2 248	5,6	3,88	8,0	PHG 2248-8M-...
	288	2 304	5,6	3,88	8,0	PHG 2304-8M-...
	291	2 328	5,6	3,88	8,0	PHG 2328-8M-...
	299	2 392	5,6	3,88	8,0	PHG 2392-8M-...

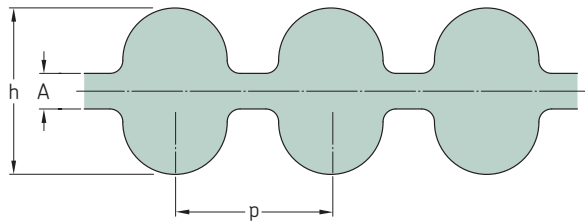
Non-standard lengths may also be available.
 To complete designation add belt width in mm.
 Full sleeves are available in various widths. Please contact your SKF Authorized Distributor.

Section	Number of teeth per side	Dimensions			Designation	Section	Number of teeth per side	Dimensions			Designation			
		Pitch length	h_1	h_2				p	Pitch length	h_1		h_2	p	
-	-	mm	-	-	-	-	mm	-	-	-	-			
8M	300	2 400	5,6	3,88	8,0	PHG 2400-8M-...	14M	275	3 850	10,0	6,10	14,0	PHG 3850-14M-...	
	313	2 504	5,6	3,88	8,0	PHG 2504-8M-...		309	4 326	10,0	6,10	14,0	PHG 4326-14M-...	
	323	2 584	5,6	3,88	8,0	PHG 2584-8M-...		324	4 536	10,0	6,10	14,0	PHG 4536-14M-...	
	325	2 600	5,6	3,88	8,0	PHG 2600-8M-...		327	4 578	10,0	6,10	14,0	PHG 4578-14M-...	
	332	2 656	5,6	3,88	8,0	PHG 2656-8M-...		340	4 760	10,0	6,10	14,0	PHG 4760-14M-...	
	342	2 736	5,6	3,88	8,0	PHG 2736-8M-...		354	4 956	10,0	6,10	14,0	PHG 4956-14M-...	
	350	2 800	5,6	3,88	8,0	PHG 2800-8M-...		360	5 040	10,0	6,10	14,0	PHG 5040-14M-...	
	381	3 048	5,6	3,88	8,0	PHG 3048-8M-...		380	5 320	10,0	6,10	14,0	PHG 5320-14M-...	
	390	3 120	5,6	3,88	8,0	PHG 3120-8M-...		410	5 740	10,0	6,10	14,0	PHG 5740-14M-...	
	396	3 168	5,6	3,88	8,0	PHG 3168-8M-...		424	5 936	10,0	6,10	14,0	PHG 5936-14M-...	
	400	3 200	5,6	3,88	8,0	PHG 3200-8M-...		440	6 160	10,0	6,10	14,0	PHG 6160-14M-...	
	410	3 280	5,6	3,88	8,0	PHG 3280-8M-...		490	6 860	10,0	6,10	14,0	PHG 6860-14M-...	
	425	3 400	5,6	3,88	8,0	PHG 3400-8M-...								
	450	3 600	5,6	3,88	8,0	PHG 3600-8M-...								
	465	3 720	5,6	3,88	8,0	PHG 3720-8M-...								
	478	3 824	5,6	3,88	8,0	PHG 3824-8M-...								
	483	3 864	5,6	3,88	8,0	PHG 3864-8M-...								
	500	4 000	5,6	3,88	8,0	PHG 4000-8M-...								
	525	4 200	5,6	3,88	8,0	PHG 4200-8M-...								
	550	4 400	5,6	3,88	8,0	PHG 4400-8M-...								
	640	5 120	5,6	3,88	8,0	PHG 5120-8M-...								
	700	5 600	5,6	3,88	8,0	PHG 5600-8M-...								
	745	5 960	5,6	3,88	8,0	PHG 5960-8M-...								
	825	6 600	5,6	3,88	8,0	PHG 6600-8M-...								
	860	6 880	5,6	3,88	8,0	PHG 6880-8M-...								
	14M	67	938	10,0	6,10	14,0		PHG 938-14M-...						
		69	966	10,0	6,10	14,0		PHG 966-14M-...						
		74	1 036	10,0	6,10	14,0		PHG 1036-14M-...						
		75	1 050	10,0	6,10	14,0		PHG 1050-14M-...						
		76	1 064	10,0	6,10	14,0		PHG 1064-14M-...						
		78	1 092	10,0	6,10	14,0		PHG 1092-14M-...						
		80	1 120	10,0	6,10	14,0		PHG 1120-14M-...						
		82	1 148	10,0	6,10	14,0		PHG 1148-14M-...						
		85	1 190	10,0	6,10	14,0		PHG 1190-14M-...						
		89	1 246	10,0	6,10	14,0		PHG 1246-14M-...						
		90	1 260	10,0	6,10	14,0		PHG 1260-14M-...						
		92	1 288	10,0	6,10	14,0		PHG 1288-14M-...						
		94	1 316	10,0	6,10	14,0		PHG 1316-14M-...						
96		1 344	10,0	6,10	14,0	PHG 1344-14M-...								
100		1 400	10,0	6,10	14,0	PHG 1400-14M-...								
101		1 414	10,0	6,10	14,0	PHG 1414-14M-...								
103		1 442	10,0	6,10	14,0	PHG 1442-14M-...								
104		1 456	10,0	6,10	14,0	PHG 1456-14M-...								
105		1 470	10,0	6,10	14,0	PHG 1470-14M-...								
106		1 484	10,0	6,10	14,0	PHG 1484-14M-...								
108		1 512	10,0	6,10	14,0	PHG 1512-14M-...								
110		1 540	10,0	6,10	14,0	PHG 1540-14M-...								
112		1 568	10,0	6,10	14,0	PHG 1568-14M-...								
115		1 610	10,0	6,10	14,0	PHG 1610-14M-...								
118		1 652	10,0	6,10	14,0	PHG 1652-14M-...								
125		1 750	10,0	6,10	14,0	PHG 1750-14M-...								
126		1 764	10,0	6,10	14,0	PHG 1764-14M-...								
127		1 778	10,0	6,10	14,0	PHG 1778-14M-...								
128		1 792	10,0	6,10	14,0	PHG 1792-14M-...								
128		1 792	10,0	6,10	14,0	PHG 1792-14M-...								
129		1 806	10,0	6,10	14,0	PHG 1806-14M-...								
130		1 820	10,0	6,10	14,0	PHG 1820-14M-...								
135		1 890	10,0	6,10	14,0	PHG 1890-14M-...								
138		1 932	10,0	6,10	14,0	PHG 1932-14M-...								
139		1 946	10,0	6,10	14,0	PHG 1946-14M-...								
140		1 960	10,0	6,10	14,0	PHG 1960-14M-...								
143		2 002	10,0	6,10	14,0	PHG 2002-14M-...								
150		2 100	10,0	6,10	14,0	PHG 2100-14M-...								
160		2 240	10,0	6,10	14,0	PHG 2240-14M-...								
165		2 310	10,0	6,10	14,0	PHG 2310-14M-...								
175		2 450	10,0	6,10	14,0	PHG 2450-14M-...								
175		2 450	10,0	6,10	14,0	PHG 2450-14M-...								
185		2 590	10,0	6,10	14,0	PHG 2590-14M-...								
190		2 660	10,0	6,10	14,0	PHG 2660-14M-...								
200		2 800	10,0	6,10	14,0	PHG 2800-14M-...								
222		3 108	10,0	6,10	14,0	PHG 3108-14M-...								
225		3 150	10,0	6,10	14,0	PHG 3150-14M-...								
236		3 304	10,0	6,10	14,0	PHG 3304-14M-...								
240		3 360	10,0	6,10	14,0	PHG 3360-14M-...								
250		3 500	10,0	6,10	14,0	PHG 3500-14M-...								
262	3 668	10,0	6,10	14,0	PHG 3668-14M-...									

Non-standard lengths may also be available.
 To complete designation add belt width in mm.
 Full sleeves are available in various widths. Please contact your SKF Authorized Distributor.

SKF Double-sided HiTD Belts

D-5M | D-8M



Section	Number of teeth per side	Dimensions Pitch length	Dimensions			Designation
			h	A	p	
		mm				
D-5M	100	500	5,3	1,1	5,0	PHG DA-500-5M-...
	101	505	5,3	1,1	5,0	PHG DA-505-5M-...
	104	520	5,3	1,1	5,0	PHG DA-520-5M-...
	105	525	5,3	1,1	5,0	PHG DA-525-5M-...
	106	530	5,3	1,1	5,0	PHG DA-530-5M-...
	107	535	5,3	1,1	5,0	PHG DA-535-5M-...
	108	540	5,3	1,1	5,0	PHG DA-540-5M-...
	110	550	5,3	1,1	5,0	PHG DA-550-5M-...
	112	560	5,3	1,1	5,0	PHG DA-560-5M-...
	113	565	5,3	1,1	5,0	PHG DA-565-5M-...
	114	570	5,3	1,1	5,0	PHG DA-570-5M-...
	115	575	5,3	1,1	5,0	PHG DA-575-5M-...
	116	580	5,3	1,1	5,0	PHG DA-580-5M-...
	117	585	5,3	1,1	5,0	PHG DA-585-5M-...
	118	590	5,3	1,1	5,0	PHG DA-590-5M-...
	120	600	5,3	1,1	5,0	PHG DA-600-5M-...
	121	605	5,3	1,1	5,0	PHG DA-605-5M-...
	122	610	5,3	1,1	5,0	PHG DA-610-5M-...
	123	615	5,3	1,1	5,0	PHG DA-615-5M-...
	124	620	5,3	1,1	5,0	PHG DA-620-5M-...
	125	625	5,3	1,1	5,0	PHG DA-625-5M-...
	126	630	5,3	1,1	5,0	PHG DA-630-5M-...
	127	635	5,3	1,1	5,0	PHG DA-635-5M-...
	128	640	5,3	1,1	5,0	PHG DA-640-5M-...
	129	645	5,3	1,1	5,0	PHG DA-645-5M-...
	130	650	5,3	1,1	5,0	PHG DA-650-5M-...
	131	655	5,3	1,1	5,0	PHG DA-655-5M-...
	134	670	5,3	1,1	5,0	PHG DA-670-5M-...
	135	675	5,3	1,1	5,0	PHG DA-675-5M-...
	137	685	5,3	1,1	5,0	PHG DA-685-5M-...
	138	690	5,3	1,1	5,0	PHG DA-690-5M-...
	139	695	5,3	1,1	5,0	PHG DA-695-5M-...
	140	700	5,3	1,1	5,0	PHG DA-700-5M-...
	142	710	5,3	1,1	5,0	PHG DA-715-5M-...
	142	710	5,3	1,1	5,0	PHG DA-710-5M-...
	144	720	5,3	1,1	5,0	PHG DA-720-5M-...
	145	725	5,3	1,1	5,0	PHG DA-725-5M-...
	148	740	5,3	1,1	5,0	PHG DA-740-5M-...
	149	745	5,3	1,1	5,0	PHG DA-745-5M-...
	150	750	5,3	1,1	5,0	PHG DA-750-5M-...
	151	755	5,3	1,1	5,0	PHG DA-755-5M-...
	154	770	5,3	1,1	5,0	PHG DA-770-5M-...
	155	775	5,3	1,1	5,0	PHG DA-775-5M-...
	156	780	5,3	1,1	5,0	PHG DA-780-5M-...
	158	790	5,3	1,1	5,0	PHG DA-790-5M-...
	160	800	5,3	1,1	5,0	PHG DA-800-5M-...
	162	810	5,3	1,1	5,0	PHG DA-810-5M-...
	165	825	5,3	1,1	5,0	PHG DA-825-5M-...
	166	830	5,3	1,1	5,0	PHG DA-830-5M-...
	167	835	5,3	1,1	5,0	PHG DA-835-5M-...
	170	850	5,3	1,1	5,0	PHG DA-850-5M-...
	172	860	5,3	1,1	5,0	PHG DA-860-5M-...
	174	870	5,3	1,1	5,0	PHG DA-870-5M-...
	178	890	5,3	1,1	5,0	PHG DA-890-5M-...
	180	900	5,3	1,1	5,0	PHG DA-900-5M-...

Section	Number of teeth per side	Dimensions Pitch length	Dimensions			Designation
			h	A	p	
		mm				
D-5M	182	910	5,3	1,1	5,0	PHG DA-910-5M-...
	184	920	5,3	1,1	5,0	PHG DA-920-5M-...
	185	925	5,3	1,1	5,0	PHG DA-925-5M-...
	187	935	5,3	1,1	5,0	PHG DA-935-5M-...
	188	940	5,3	1,1	5,0	PHG DA-940-5M-...
	190	950	5,3	1,1	5,0	PHG DA-950-5M-...
	192	960	5,3	1,1	5,0	PHG DA-960-5M-...
	193	965	5,3	1,1	5,0	PHG DA-965-5M-...
	195	975	5,3	1,1	5,0	PHG DA-975-5M-...
	196	980	5,3	1,1	5,0	PHG DA-980-5M-...
	200	1 000	5,3	1,1	5,0	PHG DA-1000-5M-...
	205	1 025	5,3	1,1	5,0	PHG DA-1025-5M-...
	207	1 035	5,3	1,1	5,0	PHG DA-1035-5M-...
	210	1 050	5,3	1,1	5,0	PHG DA-1050-5M-...
	220	1 100	5,3	1,1	5,0	PHG DA-1100-5M-...
	223	1 115	5,3	1,1	5,0	PHG DA-1115-5M-...
	225	1 125	5,3	1,1	5,0	PHG DA-1125-5M-...
	227	1 135	5,3	1,1	5,0	PHG DA-1135-5M-...
	229	1 145	5,3	1,1	5,0	PHG DA-1145-5M-...
	235	1 175	5,3	1,1	5,0	PHG DA-1175-5M-...
	236	1 180	5,3	1,1	5,0	PHG DA-1180-5M-...
	239	1 195	5,3	1,1	5,0	PHG DA-1195-5M-...
	240	1 200	5,3	1,1	5,0	PHG DA-1200-5M-...
	242	1 210	5,3	1,1	5,0	PHG DA-1210-5M-...
	245	1 225	5,3	1,1	5,0	PHG DA-1225-5M-...
	250	1 250	5,3	1,1	5,0	PHG DA-1250-5M-...
	254	1 270	5,3	1,1	5,0	PHG DA-1270-5M-...
	258	1 290	5,3	1,1	5,0	PHG DA-1290-5M-...
	259	1 295	5,3	1,1	5,0	PHG DA-1295-5M-...
	260	1 300	5,3	1,1	5,0	PHG DA-1300-5M-...
	268	1 340	5,3	1,1	5,0	PHG DA-1340-5M-...
	270	1 350	5,3	1,1	5,0	PHG DA-1350-5M-...
	275	1 375	5,3	1,1	5,0	PHG DA-1375-5M-...
	280	1 400	5,3	1,1	5,0	PHG DA-1400-5M-...
	282	1 410	5,3	1,1	5,0	PHG DA-1410-5M-...
	284	1 420	5,3	1,1	5,0	PHG DA-1420-5M-...
	290	1 450	5,3	1,1	5,0	PHG DA-1450-5M-...
	291	1 455	5,3	1,1	5,0	PHG DA-1455-5M-...
	300	1 500	5,3	1,1	5,0	PHG DA-1500-5M-...
	319	1 595	5,3	1,1	5,0	PHG DA-1595-5M-...
	320	1 600	5,3	1,1	5,0	PHG DA-1600-5M-...
	337	1 685	5,3	1,1	5,0	PHG DA-1685-5M-...
	338	1 690	5,3	1,1	5,0	PHG DA-1690-5M-...
D-8M	64	512	8,2	1,4	8,0	PHG DA-512-8M-...
	65	520	8,2	1,4	8,0	PHG DA-520-8M-...
	67	536	8,2	1,4	8,0	PHG DA-536-8M-...
	68	544	8,2	1,4	8,0	PHG DA-544-8M-...
	70	560	8,2	1,4	8,0	PHG DA-560-8M-...
	71	568	8,2	1,4	8,0	PHG DA-568-8M-...
	72	576	8,2	1,4	8,0	PHG DA-576-8M-...
	73	584	8,2	1,4	8,0	PHG DA-584-8M-...
	74	592	8,2	1,4	8,0	PHG DA-592-8M-...
	75	600	8,2	1,4	8,0	PHG DA-600-8M-...
	76	608	8,2	1,4	8,0	PHG DA-608-8M

Non-standard lengths may also be available.
 To complete designation add belt width in mm.
 Double-sided HiTD belts are available in symmetric (DA) only.
 Full sleeves are available in various widths. Please contact your SKF Authorized Distributor.

SKF Double-sided HiTD Belts

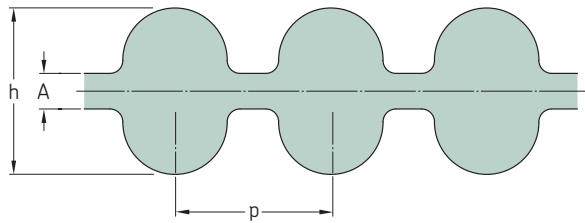
D-8M | D-14M

Section	Number of teeth per side	Dimensions			Designation	Section	Number of teeth per side	Dimensions			Designation			
		Pitch length	h	A				p	Pitch length	h		A	p	
-	-	mm	-	-	-	-	-	mm	-	-	-			
D-8M	78	624	8,2	1,4	8,0	PHG DA-624-8M-...	D-8M	180	1 440	8,2	1,4	8,0	PHG DA-1440-8M-...	
	79	632	8,2	1,4	8,0	PHG DA-632-8M-...		182	1 456	8,2	1,4	8,0	PHG DA-1456-8M-...	
	80	640	8,2	1,4	8,0	PHG DA-640-8M-...		183	1 464	8,2	1,4	8,0	PHG DA-1464-8M-...	
	81	648	8,2	1,4	8,0	PHG DA-648-8M-...		185	1 480	8,2	1,4	8,0	PHG DA-1480-8M-...	
	82	656	8,2	1,4	8,0	PHG DA-656-8M-...		189	1 512	8,2	1,4	8,0	PHG DA-1512-8M-...	
	85	680	8,2	1,4	8,0	PHG DA-680-8M-...		190	1 520	8,2	1,4	8,0	PHG DA-1520-8M-...	
	86	688	8,2	1,4	8,0	PHG DA-688-8M-...		192	1 536	8,2	1,4	8,0	PHG DA-1536-8M-...	
	87	696	8,2	1,4	8,0	PHG DA-696-8M-...		194	1 552	8,2	1,4	8,0	PHG DA-1552-8M-...	
	89	712	8,2	1,4	8,0	PHG DA-712-8M-...		195	1 560	8,2	1,4	8,0	PHG DA-1560-8M-...	
	90	720	8,2	1,4	8,0	PHG DA-720-8M-...		197	1 576	8,2	1,4	8,0	PHG DA-1576-8M-...	
	91	728	8,2	1,4	8,0	PHG DA-728-8M-...		200	1 600	8,2	1,4	8,0	PHG DA-1600-8M-...	
	92	736	8,2	1,4	8,0	PHG DA-736-8M-...		205	1 640	8,2	1,4	8,0	PHG DA-1640-8M-...	
	95	760	8,2	1,4	8,0	PHG DA-760-8M-...		206	1 648	8,2	1,4	8,0	PHG DA-1648-8M-...	
	97	776	8,2	1,4	8,0	PHG DA-776-8M-...		210	1 680	8,2	1,4	8,0	PHG DA-1680-8M-...	
	98	784	8,2	1,4	8,0	PHG DA-784-8M-...		212	1 696	8,2	1,4	8,0	PHG DA-1696-8M-...	
	99	792	8,2	1,4	8,0	PHG DA-792-8M-...		216	1 728	8,2	1,4	8,0	PHG DA-1728-8M-...	
	100	800	8,2	1,4	8,0	PHG DA-800-8M-...		220	1 760	8,2	1,4	8,0	PHG DA-1760-8M-...	
	102	816	8,2	1,4	8,0	PHG DA-816-8M-...		223	1 784	8,2	1,4	8,0	PHG DA-1784-8M-...	
	103	824	8,2	1,4	8,0	PHG DA-824-8M-...		224	1 792	8,2	1,4	8,0	PHG DA-1792-8M-...	
	105	840	8,2	1,4	8,0	PHG DA-840-8M-...		225	1 800	8,2	1,4	8,0	PHG DA-1800-8M-...	
	106	848	8,2	1,4	8,0	PHG DA-848-8M-...		232	1 856	8,2	1,4	8,0	PHG DA-1856-8M-...	
	107	856	8,2	1,4	8,0	PHG DA-856-8M-...		237	1 896	8,2	1,4	8,0	PHG DA-1896-8M-...	
	108	864	8,2	1,4	8,0	PHG DA-864-8M-...		238	1 904	8,2	1,4	8,0	PHG DA-1904-8M-...	
	109	872	8,2	1,4	8,0	PHG DA-872-8M-...		240	1 920	8,2	1,4	8,0	PHG DA-1920-8M-...	
	110	880	8,2	1,4	8,0	PHG DA-880-8M-...		242	1 936	8,2	1,4	8,0	PHG DA-1936-8M-...	
	112	896	8,2	1,4	8,0	PHG DA-896-8M-...		244	1 952	8,2	1,4	8,0	PHG DA-1952-8M-...	
	114	912	8,2	1,4	8,0	PHG DA-912-8M-...		250	2 000	8,2	1,4	8,0	PHG DA-2000-8M-...	
	115	920	8,2	1,4	8,0	PHG DA-920-8M-...		260	2 080	8,2	1,4	8,0	PHG DA-2080-8M-...	
	116	928	8,2	1,4	8,0	PHG DA-928-8M-...		262	2 096	8,2	1,4	8,0	PHG DA-2096-8M-...	
	117	936	8,2	1,4	8,0	PHG DA-936-8M-...		263	2 104	8,2	1,4	8,0	PHG DA-2104-8M-...	
	118	944	8,2	1,4	8,0	PHG DA-944-8M-...		267	2 136	8,2	1,4	8,0	PHG DA-2136-8M-...	
	119	952	8,2	1,4	8,0	PHG DA-952-8M-...		270	2 160	8,2	1,4	8,0	PHG DA-2160-8M-...	
	120	960	8,2	1,4	8,0	PHG DA-960-8M-...		276	2 208	8,2	1,4	8,0	PHG DA-2208-8M-...	
	121	968	8,2	1,4	8,0	PHG DA-968-8M-...		280	2 240	8,2	1,4	8,0	PHG DA-2240-8M-...	
	122	976	8,2	1,4	8,0	PHG DA-976-8M-...		281	2 248	8,2	1,4	8,0	PHG DA-2248-8M-...	
	125	1 000	8,2	1,4	8,0	PHG DA-1000-8M-...		284	2 272	8,2	1,4	8,0	PHG DA-2272-8M-...	
	127	1 016	8,2	1,4	8,0	PHG DA-1016-8M-...		288	2 304	8,2	1,4	8,0	PHG DA-2304-8M-...	
	128	1 024	8,2	1,4	8,0	PHG DA-1024-8M-...		291	2 328	8,2	1,4	8,0	PHG DA-2328-8M-...	
	130	1 040	8,2	1,4	8,0	PHG DA-1040-8M-...		299	2 392	8,2	1,4	8,0	PHG DA-2392-8M-...	
	132	1 056	8,2	1,4	8,0	PHG DA-1056-8M-...		300	2 400	8,2	1,4	8,0	PHG DA-2400-8M-...	
	133	1 064	8,2	1,4	8,0	PHG DA-1064-8M-...		313	2 504	8,2	1,4	8,0	PHG DA-2504-8M-...	
	135	1 080	8,2	1,4	8,0	PHG DA-1080-8M-...		323	2 584	8,2	1,4	8,0	PHG DA-2584-8M-...	
	136	1 088	8,2	1,4	8,0	PHG DA-1088-8M-...		325	2 600	8,2	1,4	8,0	PHG DA-2600-8M-...	
	138	1 104	8,2	1,4	8,0	PHG DA-1104-8M-...		332	2 656	8,2	1,4	8,0	PHG DA-2656-8M-...	
	139	1 112	8,2	1,4	8,0	PHG DA-1112-8M-...		342	2 736	8,2	1,4	8,0	PHG DA-2736-8M-...	
	140	1 120	8,2	1,4	8,0	PHG DA-1120-8M-...		350	2 800	8,2	1,4	8,0	PHG DA-2800-8M-...	
	141	1 128	8,2	1,4	8,0	PHG DA-1128-8M-...		381	3 048	8,2	1,4	8,0	PHG DA-3048-8M-...	
	142	1 136	8,2	1,4	8,0	PHG DA-1136-8M-...		390	3 120	8,2	1,4	8,0	PHG DA-3120-8M-...	
	144	1 152	8,2	1,4	8,0	PHG DA-1152-8M-...		396	3 168	8,2	1,4	8,0	PHG DA-3168-8M-...	
	145	1 160	8,2	1,4	8,0	PHG DA-1160-8M-...		400	3 200	8,2	1,4	8,0	PHG DA-3200-8M-...	
	146	1 168	8,2	1,4	8,0	PHG DA-1168-8M-...		410	3 280	8,2	1,4	8,0	PHG DA-3280-8M-...	
	148	1 184	8,2	1,4	8,0	PHG DA-1184-8M-...		425	3 400	8,2	1,4	8,0	PHG DA-3400-8M-...	
	149	1 192	8,2	1,4	8,0	PHG DA-1192-8M-...		450	3 600	8,2	1,4	8,0	PHG DA-3600-8M-...	
	150	1 200	8,2	1,4	8,0	PHG DA-1200-8M-...		465	3 720	8,2	1,4	8,0	PHG DA-3720-8M-...	
	151	1 208	8,2	1,4	8,0	PHG DA-1208-8M-...		478	3 824	8,2	1,4	8,0	PHG DA-3824-8M-...	
	152	1 216	8,2	1,4	8,0	PHG DA-1216-8M-...		483	3 864	8,2	1,4	8,0	PHG DA-3864-8M-...	
	153	1 224	8,2	1,4	8,0	PHG DA-1224-8M-...		500	4 000	8,2	1,4	8,0	PHG DA-4000-8M-...	
	155	1 240	8,2	1,4	8,0	PHG DA-1240-8M-...		525	4 200	8,2	1,4	8,0	PHG DA-4200-8M-...	
	156	1 248	8,2	1,4	8,0	PHG DA-1248-8M-...		550	4 400	8,2	1,4	8,0	PHG DA-4400-8M-...	
	157	1 256	8,2	1,4	8,0	PHG DA-1256-8M-...		640	5 120	8,2	1,4	8,0	PHG DA-5120-8M-...	
	158	1 264	8,2	1,4	8,0	PHG DA-1264-8M-...		700	5 600	8,2	1,4	8,0	PHG DA-5600-8M-...	
	159	1 272	8,2	1,4	8,0	PHG DA-1272-8M-...		745	5 960	8,2	1,4	8,0	PHG DA-5960-8M-...	
	160	1 280	8,2	1,4	8,0	PHG DA-1280-8M-...		825	6 600	8,2	1,4	8,0	PHG DA-6600-8M-...	
	163	1 304	8,2	1,4	8,0	PHG DA-1304-8M-...		860	6 880	8,2	1,4	8,0	PHG DA-6880-8M-...	
	164	1 312	8,2	1,4	8,0	PHG DA-1312-8M-...								
	165	1 320	8,2	1,4	8,0	PHG DA-1320-8M-...		D-14M	115	1 610	14,8	2,8	14,0	PHG DA-1610-14M-...
	166	1 328	8,2	1,4	8,0	PHG DA-1328-8M-...		118	1 652	14,8	2,8	14,0	PHG DA-1652-14M-...	
	168	1 344	8,2	1,4	8,0	PHG DA-1344-8M-...		125	1 750	14,8	2,8	14,0	PHG DA-1750-14M-...	
	169	1 352	8,2	1,4	8,0	PHG DA-1352-8M-...		126	1 764	14,8	2,8	14,0	PHG DA-1764-14M-...	
	170	1 360	8,2	1,4	8,0	PHG DA-1360-8M-...		127	1 778	14,8	2,8	14,0	PHG DA-1778-14M-...	
	172	1 376	8,2	1,4	8,0	PHG DA-1376-8M-...		128	1 792	14,8	2,8	14,0	PHG DA-1792-14M-...	
	174	1 392	8,2	1,4	8,0	PHG DA-1392-8M-...		129	1 806	14,8	2,8	14,0	PHG DA-1806-14M-...	
	175	1 400	8,2	1,4	8,0	PHG DA-1400-8M-...		130	1 820	14,8	2,8	14,0	PHG DA-1820-14M-...	
	177	1 416	8,2	1,4	8,0	PHG DA-1416-8M-...		135	1 890	14,8	2,8	14,0	PHG DA-1890-14M-...	
	178	1 424	8,2	1,4	8,0	PHG DA-1424-8M-...		138	1 932	14,8	2,8	14,0	PHG DA-1932-14M-...	
	179	1 432	8,2	1,4	8,0	PHG DA-1432-8M-...		139	1 946	14,8	2,8	14,0	PHG DA-1946-14M-...	
								140	1 960	14,8	2,8	14,0	PHG DA-1960-14M-...	

Non-standard lengths may also be available.
 To complete designation add belt width in mm.
 Double-sided HiTD belts are available in symmetric (DA) only.
 Full sleeves are available in various widths. Please contact your SKF Authorized Distributor.

SKF Double-sided HiTD Belts

D-14M

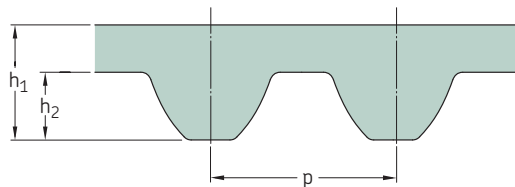


Section	Number of teeth per side	Dimensions Pitch length	Dimensions			Designation
			h	A	p	
-	-	mm	-	-	-	-
D-14M	143	2 002	14,8	2,8	14,0	PHG DA-2002-14M-...
	150	2 100	14,8	2,8	14,0	PHG DA-2100-14M-...
	160	2 240	14,8	2,8	14,0	PHG DA-2240-14M-...
	165	2 310	14,8	2,8	14,0	PHG DA-2310-14M-...
	175	2 450	14,8	2,8	14,0	PHG DA-2450-14M-...
	185	2 590	14,8	2,8	14,0	PHG DA-2590-14M-...
	190	2 660	14,8	2,8	14,0	PHG DA-2660-14M-...
	200	2 800	14,8	2,8	14,0	PHG DA-2800-14M-...
	222	3 108	14,8	2,8	14,0	PHG DA-3108-14M-...
	225	3 150	14,8	2,8	14,0	PHG DA-3150-14M-...
	236	3 304	14,8	2,8	14,0	PHG DA-3304-14M-...
	240	3 360	14,8	2,8	14,0	PHG DA-3360-14M-...
	250	3 500	14,8	2,8	14,0	PHG DA-3500-14M-...
	275	3 850	14,8	2,8	14,0	PHG DA-3850-14M-...
	309	4 326	14,8	2,8	14,0	PHG DA-4326-14M-...
	324	4 536	14,8	2,8	14,0	PHG DA-4536-14M-...
	327	4 578	14,8	2,8	14,0	PHG DA-4578-14M-...
	340	4 760	14,8	2,8	14,0	PHG DA-4760-14M-...
	354	4 956	14,8	2,8	14,0	PHG DA-4956-14M-...
	360	5 040	14,8	2,8	14,0	PHG DA-5040-14M-...
	380	5 320	14,8	2,8	14,0	PHG DA-5320-14M-...
	410	5 740	14,8	2,8	14,0	PHG DA-5740-14M-...
	424	5 936	14,8	2,8	14,0	PHG DA-5936-14M-...
440	6 160	14,8	2,8	14,0	PHG DA-6160-14M-...	
490	6 860	14,8	2,8	14,0	PHG DA-6860-14M-...	

Non-standard lengths may also be available.
 To complete designation add belt width in mm.
 Double-sided HiTD belts are available in symmetric (DA) only.
 Full sleeves are available in various widths. Please contact your SKF Authorized Distributor.

Super torque timing belts

S2M | S3M



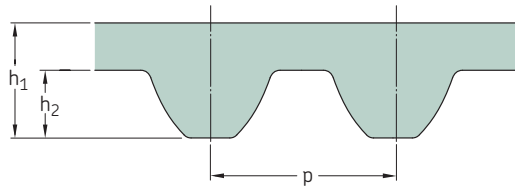
Section	Number of teeth	Dimensions			Designation			
		Pitch length			h ₁	h ₂	p	-
		in.	mm	-				
S2M	30	2,36	60	1,36	0,76	2	PHG S2M-60-...	
	40	3,15	80	1,36	0,76	2	PHG S2M-80-...	
	48	3,78	96	1,36	0,76	2	PHG S2M-96-...	
	55	4,33	110	1,36	0,76	2	PHG S2M-110-...	
	60	4,72	120	1,36	0,76	2	PHG S2M-120-...	
	63	4,96	126	1,36	0,76	2	PHG S2M-126-...	
	64	5,04	128	1,36	0,76	2	PHG S2M-128-...	
	65	5,12	130	1,36	0,76	2	PHG S2M-130-...	
	66	5,20	132	1,36	0,76	2	PHG S2M-132-...	
	67	5,28	134	1,36	0,76	2	PHG S2M-134-...	
	69	5,43	138	1,36	0,76	2	PHG S2M-138-...	
	73	5,75	146	1,36	0,76	2	PHG S2M-146-...	
	76	5,98	152	1,36	0,76	2	PHG S2M-152-...	
	78	6,14	156	1,36	0,76	2	PHG S2M-156-...	
	80	6,30	160	1,36	0,76	2	PHG S2M-160-...	
	84	6,61	168	1,36	0,76	2	PHG S2M-168-...	
	90	7,09	180	1,36	0,76	2	PHG S2M-180-...	
	91	7,17	182	1,36	0,76	2	PHG S2M-182-...	
	92	7,24	184	1,36	0,76	2	PHG S2M-184-...	
	93	7,32	186	1,36	0,76	2	PHG S2M-186-...	
	96	7,56	192	1,36	0,76	2	PHG S2M-192-...	
	97	7,64	194	1,36	0,76	2	PHG S2M-194-...	
	99	7,80	198	1,36	0,76	2	PHG S2M-198-...	
	100	7,87	200	1,36	0,76	2	PHG S2M-200-...	
	101	7,95	202	1,36	0,76	2	PHG S2M-202-...	
	102	8,03	204	1,36	0,76	2	PHG S2M-204-...	
	112	8,82	224	1,36	0,76	2	PHG S2M-224-...	
	117	9,21	234	1,36	0,76	2	PHG S2M-234-...	
	118	9,29	236	1,36	0,76	2	PHG S2M-236-...	
	120	9,45	240	1,36	0,76	2	PHG S2M-240-...	
	122	9,61	244	1,36	0,76	2	PHG S2M-244-...	
	125	9,84	250	1,36	0,76	2	PHG S2M-250-...	
	130	10,24	260	1,36	0,76	2	PHG S2M-260-...	
	132	10,39	264	1,36	0,76	2	PHG S2M-264-...	
	144	11,34	288	1,36	0,76	2	PHG S2M-288-...	
	156	12,28	312	1,36	0,76	2	PHG S2M-312-...	
	158	12,44	316	1,36	0,76	2	PHG S2M-316-...	
	168	13,23	336	1,36	0,76	2	PHG S2M-336-...	
	177	13,94	354	1,36	0,76	2	PHG S2M-354-...	
	210	16,54	420	1,36	0,76	2	PHG S2M-420-...	
	247	19,45	494	1,36	0,76	2	PHG S2M-494-...	
	290	22,83	580	1,36	0,76	2	PHG S2M-580-...	
	1500	118,11	3 000	1,36	0,76	2	PHG S2M-3000-...	
	1850	145,67	3 700	1,36	0,76	2	PHG S2M-3700-...	
	S3M	40	4,72	120	2,20	1,14	3	PHG S3M-120-...
43		5,08	129	2,20	1,14	3	PHG S3M-129-...	
48		5,67	144	2,20	1,14	3	PHG S3M-144-...	
50		5,91	150	2,20	1,14	3	PHG S3M-150-...	
52		6,14	156	2,20	1,14	3	PHG S3M-156-...	
54		6,38	162	2,20	1,14	3	PHG S3M-162-...	
55		6,50	165	2,20	1,14	3	PHG S3M-165-...	
57		6,73	171	2,20	1,14	3	PHG S3M-171-...	
58		6,85	174	2,20	1,14	3	PHG S3M-174-...	
59		6,97	177	2,20	1,14	3	PHG S3M-177-...	

Section	Number of teeth	Dimensions			Designation			
		Pitch length			h ₁	h ₂	p	-
		in.	mm	-				
S3M	60	7,09	180	2,20	1,14	3	PHG S3M-180-...	
	62	7,32	186	2,20	1,14	3	PHG S3M-186-...	
	63	7,44	189	2,20	1,14	3	PHG S3M-189-...	
	64	7,56	192	2,20	1,14	3	PHG S3M-192-...	
	67	7,91	201	2,20	1,14	3	PHG S3M-201-...	
	68	8,03	204	2,20	1,14	3	PHG S3M-204-...	
	69	8,15	207	2,20	1,14	3	PHG S3M-207-...	
	70	8,27	210	2,20	1,14	3	PHG S3M-210-...	
	71	8,39	213	2,20	1,14	3	PHG S3M-213-...	
	73	8,62	219	2,20	1,14	3	PHG S3M-219-...	
	74	8,74	222	2,20	1,14	3	PHG S3M-222-...	
	75	8,86	225	2,20	1,14	3	PHG S3M-225-...	
	77	9,09	231	2,20	1,14	3	PHG S3M-231-...	
	78	9,21	234	2,20	1,14	3	PHG S3M-234-...	
	79	9,33	237	2,20	1,14	3	PHG S3M-237-...	
	80	9,45	240	2,20	1,14	3	PHG S3M-240-...	
	82	9,69	246	2,20	1,14	3	PHG S3M-246-...	
	83	9,80	249	2,20	1,14	3	PHG S3M-249-...	
	84	9,92	252	2,20	1,14	3	PHG S3M-252-...	
	85	10,04	255	2,20	1,14	3	PHG S3M-255-...	
	88	10,39	264	2,20	1,14	3	PHG S3M-264-...	
	89	10,51	267	2,20	1,14	3	PHG S3M-267-...	
	92	10,87	276	2,20	1,14	3	PHG S3M-276-...	
	94	11,10	282	2,20	1,14	3	PHG S3M-282-...	
	96	11,34	288	2,20	1,14	3	PHG S3M-288-...	
	97	11,46	291	2,20	1,14	3	PHG S3M-291-...	
	98	11,57	294	2,20	1,14	3	PHG S3M-294-...	
	99	11,69	297	2,20	1,14	3	PHG S3M-297-...	
	100	11,81	300	2,20	1,14	3	PHG S3M-300-...	
	104	12,28	312	2,20	1,14	3	PHG S3M-312-...	
	106	12,52	318	2,20	1,14	3	PHG S3M-318-...	
	107	12,64	321	2,20	1,14	3	PHG S3M-321-...	
	109	12,87	327	2,20	1,14	3	PHG S3M-327-...	
	110	12,99	330	2,20	1,14	3	PHG S3M-330-...	
	111	13,11	333	2,20	1,14	3	PHG S3M-333-...	
	113	13,35	339	2,20	1,14	3	PHG S3M-339-...	
	115	13,58	345	2,20	1,14	3	PHG S3M-345-...	
	117	13,82	351	2,20	1,14	3	PHG S3M-351-...	
	118	13,94	354	2,20	1,14	3	PHG S3M-354-...	
	119	14,06	357	2,20	1,14	3	PHG S3M-357-...	
	120	14,17	360	2,20	1,14	3	PHG S3M-360-...	
	121	14,29	363	2,20	1,14	3	PHG S3M-363-...	
	123	14,53	369	2,20	1,14	3	PHG S3M-369-...	
	128	15,12	384	2,20	1,14	3	PHG S3M-384-...	
	135	15,94	405	2,20	1,14	3	PHG S3M-405-...	
136	16,06	408	2,20	1,14	3	PHG S3M-408-...		
139	16,42	417	2,20	1,14	3	PHG S3M-417-...		
140	16,54	420	2,20	1,14	3	PHG S3M-420-...		
144	17,01	432	2,20	1,14	3	PHG S3M-432-...		
149	17,60	447	2,20	1,14	3	PHG S3M-447-...		
151	17,83	453	2,20	1,14	3	PHG S3M-453-...		
153	18,07	459	2,20	1,14	3	PHG S3M-459-...		
155	18,31	465	2,20	1,14	3	PHG S3M-465-...		
156	18,43	468	2,20	1,14	3	PHG S3M-468-...		
162	19,13	486	2,20	1,14	3	PHG S3M-486-...		

To complete designation add belt width in mm.
 Non-standard lengths may also be available.
 Full sleeves are available in various widths. Please contact your SKF Authorized Distributor.
 For polyurethane version, add "PU" to the profile type. For example: PHG S14MPU-1000-...

Super torque timing belts

S3M | S4.5M | S5M



Section	Number of teeth	Dimensions		Pitch length			Designation
		in.	mm	h_1	h_2	p	
S3M	167	19,72	501	2,20	1,14	3	PHG S3M-501-...
	168	19,84	504	2,20	1,14	3	PHG S3M-504-...
	169	19,96	507	2,20	1,14	3	PHG S3M-507-...
	179	21,14	537	2,20	1,14	3	PHG S3M-537-...
	188	22,20	564	2,20	1,14	3	PHG S3M-564-...
	191	22,56	573	2,20	1,14	3	PHG S3M-573-...
	195	23,03	585	2,20	1,14	3	PHG S3M-585-...
	199	23,50	597	2,20	1,14	3	PHG S3M-597-...
	202	23,86	606	2,20	1,14	3	PHG S3M-606-...
	207	24,45	621	2,20	1,14	3	PHG S3M-621-...
	211	24,92	633	2,20	1,14	3	PHG S3M-633-...
	212	25,04	636	2,20	1,14	3	PHG S3M-636-...
	217	25,63	651	2,20	1,14	3	PHG S3M-651-...
	219	25,87	657	2,20	1,14	3	PHG S3M-657-...
	220	25,98	660	2,20	1,14	3	PHG S3M-660-...
	222	26,22	666	2,20	1,14	3	PHG S3M-666-...
	230	27,17	690	2,20	1,14	3	PHG S3M-690-...
	233	27,52	699	2,20	1,14	3	PHG S3M-699-...
	238	28,11	714	2,20	1,14	3	PHG S3M-714-...
	240	29,53	750	2,20	1,14	3	PHG S3M-750-...
	268	31,65	804	2,20	1,14	3	PHG S3M-804-...
	298	35,20	894	2,20	1,14	3	PHG S3M-894-...
	350	41,34	1 050	2,20	1,14	3	PHG S3M-1050-...
	375	44,29	1 125	2,20	1,14	3	PHG S3M-1125-...
	474	55,98	1 422	2,20	1,14	3	PHG S3M-1422-...
	532	62,83	1 596	2,20	1,14	3	PHG S3M-1596-...
	1465	173,03	4 395	2,20	1,14	3	PHG S3M-4395-...
	1568	185,20	4 704	2,20	1,14	3	PHG S3M-4704-...
	2170	256,30	6 510	2,20	1,14	3	PHG S3M-6510-...
S4.5M	40	7,09	180	2,81	1,71	4,5	PHG S4.5M-180-...
	44	7,80	198	2,81	1,71	4,5	PHG S4.5M-198-...
	50	8,86	225	2,81	1,71	4,5	PHG S4.5M-225-...
	53	9,41	239	2,81	1,71	4,5	PHG S4.5M-239-...
	56	9,92	252	2,81	1,71	4,5	PHG S4.5M-252-...
	61	10,83	275	2,81	1,71	4,5	PHG S4.5M-275-...
	62	10,98	279	2,81	1,71	4,5	PHG S4.5M-279-...
	63	11,18	284	2,81	1,71	4,5	PHG S4.5M-284-...
	66	11,69	297	2,81	1,71	4,5	PHG S4.5M-297-...
	70	12,40	315	2,81	1,71	4,5	PHG S4.5M-315-...
	73	12,95	329	2,81	1,71	4,5	PHG S4.5M-329-...
	74	13,11	333	2,81	1,71	4,5	PHG S4.5M-333-...
	75	13,31	338	2,81	1,71	4,5	PHG S4.5M-338-...
	76	13,46	342	2,81	1,71	4,5	PHG S4.5M-342-...
	78	13,82	351	2,81	1,71	4,5	PHG S4.5M-351-...
	80	14,17	360	2,81	1,71	4,5	PHG S4.5M-360-...
	82	14,53	369	2,81	1,71	4,5	PHG S4.5M-369-...
	84	15,04	382	2,81	1,71	4,5	PHG S4.5M-382-...
	86	15,24	387	2,81	1,71	4,5	PHG S4.5M-387-...
	88	15,59	396	2,81	1,71	4,5	PHG S4.5M-396-...
	92	16,30	414	2,81	1,71	4,5	PHG S4.5M-414-...
	97	17,20	437	2,81	1,71	4,5	PHG S4.5M-437-...
	100	17,72	450	2,81	1,71	4,5	PHG S4.5M-450-...
	112	19,84	504	2,81	1,71	4,5	PHG S4.5M-504-...
	124	21,97	558	2,81	1,71	4,5	PHG S4.5M-558-...

Section	Number of teeth	Dimensions		Pitch length			Designation
		in.	mm	h_1	h_2	p	
S4.5M	125	22,17	563	2,81	1,71	4,5	PHG S4.5M-563-...
	140	24,80	630	2,81	1,71	4,5	PHG S4.5M-630-...
	145	25,71	653	2,81	1,71	4,5	PHG S4.5M-653-...
	158	27,99	711	2,81	1,71	4,5	PHG S4.5M-711-...
	192	34,02	864	2,81	1,71	4,5	PHG S4.5M-864-...
	201	35,63	905	2,81	1,71	4,5	PHG S4.5M-905-...
	207	36,69	932	2,81	1,71	4,5	PHG S4.5M-932-...
S5M	30	5,91	150	3,41	1,91	5	PHG S5M-150-...
	40	7,87	200	3,41	1,91	5	PHG S5M-200-...
	50	9,84	250	3,41	1,91	5	PHG S5M-250-...
	51	10,04	255	3,41	1,91	5	PHG S5M-255-...
	53	10,43	265	3,41	1,91	5	PHG S5M-265-...
	54	10,63	270	3,41	1,91	5	PHG S5M-270-...
	57	11,22	285	3,41	1,91	5	PHG S5M-285-...
	59	11,61	295	3,41	1,91	5	PHG S5M-295-...
	64	12,60	320	3,41	1,91	5	PHG S5M-320-...
	65	12,80	325	3,41	1,91	5	PHG S5M-325-...
	69	13,58	345	3,41	1,91	5	PHG S5M-345-...
	70	13,78	350	3,41	1,91	5	PHG S5M-350-...
	75	14,76	375	3,41	1,91	5	PHG S5M-375-...
	78	15,35	390	3,41	1,91	5	PHG S5M-390-...
	80	15,75	400	3,41	1,91	5	PHG S5M-400-...
	82	16,14	410	3,41	1,91	5	PHG S5M-410-...
	85	16,73	425	3,41	1,91	5	PHG S5M-425-...
	90	17,72	450	3,41	1,91	5	PHG S5M-450-...
	95	18,70	475	3,41	1,91	5	PHG S5M-475-...
	98	19,29	490	3,41	1,91	5	PHG S5M-490-...
	100	19,69	500	3,41	1,91	5	PHG S5M-500-...
	104	20,47	520	3,41	1,91	5	PHG S5M-520-...
	105	20,67	525	3,41	1,91	5	PHG S5M-525-...
	112	22,05	560	3,41	1,91	5	PHG S5M-560-...
	113	22,24	565	3,41	1,91	5	PHG S5M-565-...
	115	22,64	575	3,41	1,91	5	PHG S5M-575-...
	120	23,62	600	3,41	1,91	5	PHG S5M-600-...
	125	24,61	625	3,41	1,91	5	PHG S5M-625-...
	130	25,59	650	3,41	1,91	5	PHG S5M-650-...
	133	26,18	665	3,41	1,91	5	PHG S5M-665-...
	134	26,38	670	3,41	1,91	5	PHG S5M-670-...
	135	26,57	675	3,41	1,91	5	PHG S5M-675-...
	140	27,56	700	3,41	1,91	5	PHG S5M-700-...
	150	29,53	750	3,41	1,91	5	PHG S5M-750-...
	153	30,12	765	3,41	1,91	5	PHG S5M-765-...
	156	30,71	780	3,41	1,91	5	PHG S5M-780-...
	160	31,50	800	3,41	1,91	5	PHG S5M-800-...
	162	31,89	810	3,41	1,91	5	PHG S5M-810-...
	165	32,48	825	3,41	1,91	5	PHG S5M-825-...
	166	32,68	830	3,41	1,91	5	PHG S5M-830-...
	170	33,46	850	3,41	1,91	5	PHG S5M-850-...
	178	35,04	890	3,41	1,91	5	PHG S5M-890-...
	180	35,43	900	3,41	1,91	5	PHG S5M-900-...
	190	37,40	950	3,41	1,91	5	PHG S5M-950-...
	195	38,39	975	3,41	1,91	5	PHG S5M-975-...
	200	39,37	1 000	3,41	1,91	5	PHG S5M-1000-...
	210	41,34	1 050	3,41	1,91	5	PHG S5M-1050-...

To complete designation add belt width in mm.
 Non-standard lengths may also be available.
 Full sleeves are available in various widths. Please contact your SKF Authorized Distributor.
 For polyurethane version, add "PU" to the profile type. For example: PHG S14MPU-1000-...

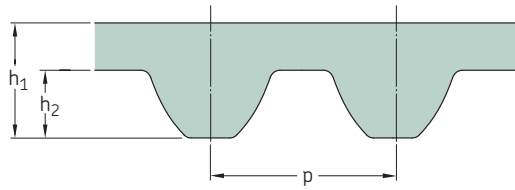
Super torque timing belts

S5M | S8M | S14M

Section	Number of teeth	Dimensions		h ₁	h ₂	p	Designation	Section	Number of teeth	Dimensions		h ₁	h ₂	p	Designation	
		Pitch length								Pitch length						
		in.	mm							in.	mm					
S5M	220	43,31	1 100	3,41	1,91	5	PHG S5M-1100-...	S8M	160	50,39	1 280	5,30	3,05	8	PHG S8M-1280-...	
	225	44,29	1 125	3,41	1,91	5	PHG S5M-1125-...		162	51,02	1 296	5,30	3,05	8	PHG S8M-1296-...	
	229	45,08	1 145	3,41	1,91	5	PHG S5M-1145-...		163	51,34	1 304	5,30	3,05	8	PHG S8M-1304-...	
	245	48,23	1 225	3,41	1,91	5	PHG S5M-1225-...		164	51,65	1 312	5,30	3,05	8	PHG S8M-1312-...	
	254	50,00	1 270	3,41	1,91	5	PHG S5M-1270-...		165	51,97	1 320	5,30	3,05	8	PHG S8M-1320-...	
	270	53,15	1 350	3,41	1,91	5	PHG S5M-1350-...		168	52,91	1 344	5,30	3,05	8	PHG S8M-1344-...	
	360	70,87	1 800	3,41	1,91	5	PHG S5M-1800-...		169	53,23	1 352	5,30	3,05	8	PHG S8M-1352-...	
	400	78,74	2 000	3,41	1,91	5	PHG S5M-2000-...		170	53,54	1 360	5,30	3,05	8	PHG S8M-1360-...	
	614	120,87	3 070	3,41	1,91	5	PHG S5M-3070-...		173	54,49	1 384	5,30	3,05	8	PHG S8M-1384-...	
	800	157,48	4 000	3,41	1,91	5	PHG S5M-4000-...		174	54,80	1 392	5,30	3,05	8	PHG S8M-1392-...	
	S8M	47	14,80	376	5,30	3,05	8		PHG S8M-376-...	175	55,12	1 400	5,30	3,05	8	PHG S8M-1400-...
		48	15,12	384	5,30	3,05	8		PHG S8M-384-...	178	56,06	1 424	5,30	3,05	8	PHG S8M-1424-...
49		15,43	392	5,30	3,05	8	PHG S8M-392-...	179	56,38	1 432	5,30	3,05	8	PHG S8M-1432-...		
55		17,32	440	5,30	3,05	8	PHG S8M-440-...	180	56,69	1 440	5,30	3,05	8	PHG S8M-1440-...		
60		18,90	480	5,30	3,05	8	PHG S8M-480-...	185	58,27	1 480	5,30	3,05	8	PHG S8M-1480-...		
62		19,53	496	5,30	3,05	8	PHG S8M-496-...	189	59,53	1 512	5,30	3,05	8	PHG S8M-1512-...		
64		20,16	512	5,30	3,05	8	PHG S8M-512-...	191	60,16	1 528	5,30	3,05	8	PHG S8M-1528-...		
65		20,47	520	5,30	3,05	8	PHG S8M-520-...	192	60,47	1 536	5,30	3,05	8	PHG S8M-1536-...		
66		20,79	528	5,30	3,05	8	PHG S8M-528-...	193	60,79	1 544	5,30	3,05	8	PHG S8M-1544-...		
67		21,10	536	5,30	3,05	8	PHG S8M-536-...	194	61,10	1 552	5,30	3,05	8	PHG S8M-1552-...		
70		22,05	560	5,30	3,05	8	PHG S8M-560-...	200	62,99	1 600	5,30	3,05	8	PHG S8M-1600-...		
73		22,99	584	5,30	3,05	8	PHG S8M-584-...	203	63,94	1 624	5,30	3,05	8	PHG S8M-1624-...		
75	23,62	600	5,30	3,05	8	PHG S8M-600-...	204	64,25	1 632	5,30	3,05	8	PHG S8M-1632-...			
79	24,88	632	5,30	3,05	8	PHG S8M-632-...	206	64,88	1 648	5,30	3,05	8	PHG S8M-1648-...			
80	25,20	640	5,30	3,05	8	PHG S8M-640-...	209	65,83	1 672	5,30	3,05	8	PHG S8M-1672-...			
82	25,83	656	5,30	3,05	8	PHG S8M-656-...	210	66,14	1 680	5,30	3,05	8	PHG S8M-1680-...			
85	26,77	680	5,30	3,05	8	PHG S8M-680-...	212	66,77	1 696	5,30	3,05	8	PHG S8M-1696-...			
86	27,09	688	5,30	3,05	8	PHG S8M-688-...	216	68,03	1 728	5,30	3,05	8	PHG S8M-1728-...			
89	28,03	712	5,30	3,05	8	PHG S8M-712-...	220	69,29	1 760	5,30	3,05	8	PHG S8M-1760-...			
90	28,35	720	5,30	3,05	8	PHG S8M-720-...	222	69,92	1 776	5,30	3,05	8	PHG S8M-1776-...			
91	28,66	728	5,30	3,05	8	PHG S8M-728-...	225	70,87	1 800	5,30	3,05	8	PHG S8M-1800-...			
95	29,92	760	5,30	3,05	8	PHG S8M-760-...	239	75,28	1 912	5,30	3,05	8	PHG S8M-1912-...			
96	30,24	768	5,30	3,05	8	PHG S8M-768-...	250	78,74	2 000	5,30	3,05	8	PHG S8M-2000-...			
98	30,87	784	5,30	3,05	8	PHG S8M-784-...	253	79,69	2 024	5,30	3,05	8	PHG S8M-2024-...			
100	31,50	800	5,30	3,05	8	PHG S8M-800-...	254	80,00	2 032	5,30	3,05	8	PHG S8M-2032-...			
103	32,44	824	5,30	3,05	8	PHG S8M-824-...	256	80,63	2 048	5,30	3,05	8	PHG S8M-2048-...			
105	33,07	840	5,30	3,05	8	PHG S8M-840-...	263	82,83	2 104	5,30	3,05	8	PHG S8M-2104-...			
106	33,39	848	5,30	3,05	8	PHG S8M-848-...	280	88,19	2 240	5,30	3,05	8	PHG S8M-2240-...			
108	34,02	864	5,30	3,05	8	PHG S8M-864-...	284	89,45	2 272	5,30	3,05	8	PHG S8M-2272-...			
109	34,33	872	5,30	3,05	8	PHG S8M-872-...	288	90,71	2 304	5,30	3,05	8	PHG S8M-2304-...			
110	34,65	880	5,30	3,05	8	PHG S8M-880-...	300	94,49	2 400	5,30	3,05	8	PHG S8M-2400-...			
112	35,28	896	5,30	3,05	8	PHG S8M-896-...	304	95,75	2 432	5,30	3,05	8	PHG S8M-2432-...			
114	35,91	912	5,30	3,05	8	PHG S8M-912-...	312	98,27	2 496	5,30	3,05	8	PHG S8M-2496-...			
115	36,22	920	5,30	3,05	8	PHG S8M-920-...	317	99,84	2 536	5,30	3,05	8	PHG S8M-2536-...			
116	36,54	928	5,30	3,05	8	PHG S8M-928-...	320	100,79	2 560	5,30	3,05	8	PHG S8M-2560-...			
118	37,17	944	5,30	3,05	8	PHG S8M-944-...	325	102,36	2 600	5,30	3,05	8	PHG S8M-2600-...			
120	37,80	960	5,30	3,05	8	PHG S8M-960-...	350	110,24	2 800	5,30	3,05	8	PHG S8M-2800-...			
122	38,43	976	5,30	3,05	8	PHG S8M-976-...	356	112,13	2 848	5,30	3,05	8	PHG S8M-2848-...			
123	38,74	984	5,30	3,05	8	PHG S8M-984-...	360	113,39	2 880	5,30	3,05	8	PHG S8M-2880-...			
124	39,06	992	5,30	3,05	8	PHG S8M-992-...	375	118,11	3 000	5,30	3,05	8	PHG S8M-3000-...			
125	39,37	1 000	5,30	3,05	8	PHG S8M-1000-...	400	125,98	3 200	5,30	3,05	8	PHG S8M-3200-...			
126	39,69	1 008	5,30	3,05	8	PHG S8M-1008-...	450	141,73	3 600	5,30	3,05	8	PHG S8M-3600-...			
129	40,63	1 032	5,30	3,05	8	PHG S8M-1032-...	465	146,46	3 720	5,30	3,05	8	PHG S8M-3720-...			
130	40,94	1 040	5,30	3,05	8	PHG S8M-1040-...	500	157,48	4 000	5,30	3,05	8	PHG S8M-4000-...			
132	41,57	1 056	5,30	3,05	8	PHG S8M-1056-...	585	184,25	4 680	5,30	3,05	8	PHG S8M-4680-...			
133	41,89	1 064	5,30	3,05	8	PHG S8M-1064-...	617	194,33	4 936	5,30	3,05	8	PHG S8M-4936-...			
135	42,52	1 080	5,30	3,05	8	PHG S8M-1080-...	635	200,00	5 080	5,30	3,05	8	PHG S8M-5080-...			
137	43,15	1 096	5,30	3,05	8	PHG S8M-1096-...	700	220,47	5 600	5,30	3,05	8	PHG S8M-5600-...			
138	43,46	1 104	5,30	3,05	8	PHG S8M-1104-...	712	224,25	5 696	5,30	3,05	8	PHG S8M-5696-...			
140	44,09	1 120	5,30	3,05	8	PHG S8M-1120-...	830	261,42	6 640	5,30	3,05	8	PHG S8M-6640-...			
141	44,41	1 128	5,30	3,05	8	PHG S8M-1128-...	S14M	51	28,11	714	10,20	5,30	14	PHG S14M-714-...		
142	44,72	1 136	5,30	3,05	8	PHG S8M-1136-...		72	39,69	1 008	10,20	5,30	14	PHG S14M-1008-...		
143	45,04	1 144	5,30	3,05	8	PHG S8M-1144-...		74	40,79	1 036	10,20	5,30	14	PHG S14M-1036-...		
144	45,35	1 152	5,30	3,05	8	PHG S8M-1152-...		80	44,09	1 120	10,20	5,30	14	PHG S14M-1120-...		
145	45,67	1 160	5,30	3,05	8	PHG S8M-1160-...		85	46,85	1 190	10,20	5,30	14	PHG S14M-1190-...		
146	45,98	1 168	5,30	3,05	8	PHG S8M-1168-...		89	49,06	1 246	10,20	5,30	14	PHG S14M-1246-...		
148	46,61	1 184	5,30	3,05	8	PHG S8M-1184-...		100	55,12	1 400	10,20	5,30	14	PHG S14M-1400-...		
149	46,93	1 192	5,30	3,05	8	PHG S8M-1192-...		104	57,32	1 456	10,20	5,30	14	PHG S14M-1456-...		
150	47,24	1 200	5,30	3,05	8	PHG S8M-1200-...		110	60,63	1 540	10,20	5,30	14	PHG S14M-1540-...		
151	47,56	1 208	5,30	3,05	8	PHG S8M-1208-...		115	63,39	1 610	10,20	5,30	14	PHG S14M-1610-...		
152	47,87	1 216	5,30	3,05	8	PHG S8M-1216-...		118	65,04	1 652	10,20	5,30	14	PHG S14M-1652-...		
153	48,19	1 224	5,30	3,05	8	PHG S8M-1224-...		125	68,90	1 750	10,20	5,30	14	PHG S14M-1750-...		
155	48,82	1 240	5,30	3,05	8	PHG S8M-1240-...	129	71,10	1 806	10,20	5,30	14	PHG S14M-1806-...			
156	49,13	1 248	5,30	3,05	8	PHG S8M-1248-...	135	74,41	1 890	10,20	5,30	14	PHG S14M-1890-...			
157	49,45	1 256	5,30	3,05	8	PHG S8M-1256-...	140	77,17	1 960	10,20	5,30	14	PHG S14M-1960-...			
158	49,76	1 264	5,30	3,05	8	PHG S8M-1264-...	143	78,82	2 002	10,20	5,30	14	PHG S14M-2002-...			

To complete designation add belt width in mm.

Super torque timing belts S14M

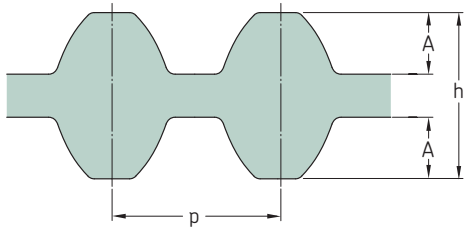


Section	Number of teeth	Dimensions		Pitch length			Designation
		in.	mm	h_1	h_2	p	
–	–	–	–	–	–	–	–
S14M	150	82,68	2 100	10,20	5,30	14	PHG S14M-2100-...
	157	86,54	2 198	10,20	5,30	14	PHG S14M-2198-...
	160	88,19	2 240	10,20	5,30	14	PHG S14M-2240-...
	165	90,94	2 310	10,20	5,30	14	PHG S14M-2310-...
	170	93,70	2 380	10,20	5,30	14	PHG S14M-2380-...
	175	96,46	2 450	10,20	5,30	14	PHG S14M-2450-...
	185	101,97	2 590	10,20	5,30	14	PHG S14M-2590-...
	190	104,72	2 660	10,20	5,30	14	PHG S14M-2660-...
	200	110,24	2 800	10,20	5,30	14	PHG S14M-2800-...
	201	110,79	2 814	10,20	5,30	14	PHG S14M-2814-...
	225	124,02	3 150	10,20	5,30	14	PHG S14M-3150-...
	250	137,80	3 500	10,20	5,30	14	PHG S14M-3500-...
	275	151,57	3 850	10,20	5,30	14	PHG S14M-3850-...
	286	157,64	4 004	10,20	5,30	14	PHG S14M-4004-...
	315	173,62	4 410	10,20	5,30	14	PHG S14M-4410-...
	322	177,48	4 508	10,20	5,30	14	PHG S14M-4508-...
	358	197,32	5 012	10,20	5,30	14	PHG S14M-5012-...

To complete designation add belt width in mm.
 Non-standard lengths may also be available.
 Full sleeves are available in various widths. Please contact your SKF Authorized Distributor.
 For polyurethane version, add "PU" to the profile type. For example: PHG S14MPU-1000-...

Double-sided super torque timing belts

DS5M | DS8M



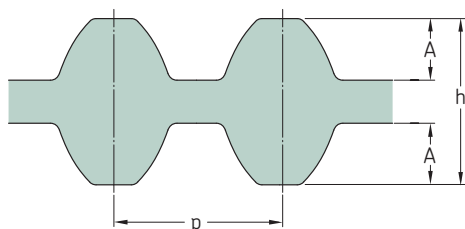
Section	Number of teeth	Dimensions		Designation			
		Pitch length		h	A	p	
-	-	in.	mm	-	-	-	
DS5M	100	19,69	500	4,96	1,91	5	PHG DS5M-500-...
	104	20,47	520	4,96	1,91	5	PHG DS5M-520-...
	105	20,67	525	4,96	1,91	5	PHG DS5M-525-...
	112	22,05	560	4,96	1,91	5	PHG DS5M-560-...
	113	22,24	565	4,96	1,91	5	PHG DS5M-565-...
	115	22,64	575	4,96	1,91	5	PHG DS5M-575-...
	120	23,62	600	4,96	1,91	5	PHG DS5M-600-...
	125	24,61	625	4,96	1,91	5	PHG DS5M-625-...
	130	25,59	650	4,96	1,91	5	PHG DS5M-650-...
	133	26,18	665	4,96	1,91	5	PHG DS5M-665-...
	134	26,38	670	4,96	1,91	5	PHG DS5M-670-...
	135	26,57	675	4,96	1,91	5	PHG DS5M-675-...
	140	27,56	700	4,96	1,91	5	PHG DS5M-700-...
	150	29,53	750	4,96	1,91	5	PHG DS5M-750-...
	153	30,12	765	4,96	1,91	5	PHG DS5M-765-...
	156	30,71	780	4,96	1,91	5	PHG DS5M-780-...
	160	31,50	800	4,96	1,91	5	PHG DS5M-800-...
	162	31,89	810	4,96	1,91	5	PHG DS5M-810-...
	165	32,48	825	4,96	1,91	5	PHG DS5M-825-...
166	32,68	830	4,96	1,91	5	PHG DS5M-830-...	
170	33,46	850	4,96	1,91	5	PHG DS5M-850-...	
178	35,04	890	4,96	1,91	5	PHG DS5M-890-...	
180	35,43	900	4,96	1,91	5	PHG DS5M-900-...	
190	37,40	950	4,96	1,91	5	PHG DS5M-950-...	
195	38,39	975	4,96	1,91	5	PHG DS5M-975-...	
200	39,37	1 000	4,96	1,91	5	PHG DS5M-1000-...	
210	41,34	1 050	4,96	1,91	5	PHG DS5M-1050-...	
220	43,31	1 100	4,96	1,91	5	PHG DS5M-1100-...	
225	44,29	1 125	4,96	1,91	5	PHG DS5M-1125-...	
229	45,08	1 145	4,96	1,91	5	PHG DS5M-1145-...	
245	48,23	1 225	4,96	1,91	5	PHG DS5M-1225-...	
254	50,00	1 270	4,96	1,91	5	PHG DS5M-1270-...	
270	53,15	1 350	4,96	1,91	5	PHG DS5M-1350-...	
DS8M	64	20,16	512	7,47	3,05	8	PHG DS8M-512-...
	65	20,47	520	7,47	3,05	8	PHG DS8M-520-...
	66	20,79	528	7,47	3,05	8	PHG DS8M-528-...
	67	21,10	536	7,47	3,05	8	PHG DS8M-536-...
	70	22,05	560	7,47	3,05	8	PHG DS8M-560-...
	73	22,99	584	7,47	3,05	8	PHG DS8M-584-...
	75	23,62	600	7,47	3,05	8	PHG DS8M-600-...
	79	24,88	632	7,47	3,05	8	PHG DS8M-632-...
	80	25,20	640	7,47	3,05	8	PHG DS8M-640-...
	82	25,83	656	7,47	3,05	8	PHG DS8M-656-...
	85	26,77	680	7,47	3,05	8	PHG DS8M-680-...
	86	27,09	688	7,47	3,05	8	PHG DS8M-688-...
	89	28,03	712	7,47	3,05	8	PHG DS8M-712-...
	90	28,35	720	7,47	3,05	8	PHG DS8M-720-...
	91	28,66	728	7,47	3,05	8	PHG DS8M-728-...
	95	29,92	760	7,47	3,05	8	PHG DS8M-760-...
	96	30,24	768	7,47	3,05	8	PHG DS8M-768-...
	98	30,87	784	7,47	3,05	8	PHG DS8M-784-...
	100	31,50	800	7,47	3,05	8	PHG DS8M-800-...
	103	32,44	824	7,47	3,05	8	PHG DS8M-824-...
105	33,07	840	7,47	3,05	8	PHG DS8M-840-...	

Section	Number of teeth	Dimensions		Designation			
		Pitch length		h	A	p	
-	-	in.	mm	-	-	-	
DS8M	106	33,39	848	7,47	3,05	8	PHG DS8M-848-...
	108	34,02	864	7,47	3,05	8	PHG DS8M-864-...
	109	34,33	872	7,47	3,05	8	PHG DS8M-872-...
	110	34,65	880	7,47	3,05	8	PHG DS8M-880-...
	112	35,28	896	7,47	3,05	8	PHG DS8M-896-...
	114	35,91	912	7,47	3,05	8	PHG DS8M-912-...
	115	36,22	920	7,47	3,05	8	PHG DS8M-920-...
	116	36,54	928	7,47	3,05	8	PHG DS8M-928-...
	118	37,17	944	7,47	3,05	8	PHG DS8M-944-...
	120	37,80	960	7,47	3,05	8	PHG DS8M-960-...
	122	38,43	976	7,47	3,05	8	PHG DS8M-976-...
	123	38,74	984	7,47	3,05	8	PHG DS8M-984-...
	124	39,06	992	7,47	3,05	8	PHG DS8M-992-...
	125	39,37	1 000	7,47	3,05	8	PHG DS8M-1000-...
	126	39,69	1 008	7,47	3,05	8	PHG DS8M-1008-...
	129	40,63	1 032	7,47	3,05	8	PHG DS8M-1032-...
	130	40,94	1 040	7,47	3,05	8	PHG DS8M-1040-...
	132	41,57	1 056	7,47	3,05	8	PHG DS8M-1056-...
	133	41,89	1 064	7,47	3,05	8	PHG DS8M-1064-...
135	42,52	1 080	7,47	3,05	8	PHG DS8M-1080-...	
137	43,15	1 096	7,47	3,05	8	PHG DS8M-1096-...	
138	43,46	1 104	7,47	3,05	8	PHG DS8M-1104-...	
140	44,09	1 120	7,47	3,05	8	PHG DS8M-1120-...	
141	44,41	1 128	7,47	3,05	8	PHG DS8M-1128-...	
142	44,72	1 136	7,47	3,05	8	PHG DS8M-1136-...	
143	45,04	1 144	7,47	3,05	8	PHG DS8M-1144-...	
144	45,35	1 152	7,47	3,05	8	PHG DS8M-1152-...	
145	45,67	1 160	7,47	3,05	8	PHG DS8M-1160-...	
146	45,98	1 168	7,47	3,05	8	PHG DS8M-1168-...	
148	46,61	1 184	7,47	3,05	8	PHG DS8M-1184-...	
149	46,93	1 192	7,47	3,05	8	PHG DS8M-1192-...	
150	47,24	1 200	7,47	3,05	8	PHG DS8M-1200-...	
151	47,56	1 208	7,47	3,05	8	PHG DS8M-1208-...	
152	47,87	1 216	7,47	3,05	8	PHG DS8M-1216-...	
153	48,19	1 224	7,47	3,05	8	PHG DS8M-1224-...	
155	48,82	1 240	7,47	3,05	8	PHG DS8M-1240-...	
156	49,13	1 248	7,47	3,05	8	PHG DS8M-1248-...	
157	49,45	1 256	7,47	3,05	8	PHG DS8M-1256-...	
158	49,76	1 264	7,47	3,05	8	PHG DS8M-1264-...	
160	50,39	1 280	7,47	3,05	8	PHG DS8M-1280-...	
162	51,02	1 296	7,47	3,05	8	PHG DS8M-1296-...	
163	51,34	1 304	7,47	3,05	8	PHG DS8M-1304-...	
164	51,65	1 312	7,47	3,05	8	PHG DS8M-1312-...	
165	51,97	1 320	7,47	3,05	8	PHG DS8M-1320-...	
168	52,91	1 344	7,47	3,05	8	PHG DS8M-1344-...	
169	53,23	1 352	7,47	3,05	8	PHG DS8M-1352-...	
170	53,54	1 360	7,47	3,05	8	PHG DS8M-1360-...	
173	54,49	1 384	7,47	3,05	8	PHG DS8M-1384-...	
174	54,80	1 392	7,47	3,05	8	PHG DS8M-1392-...	
175	55,12	1 400	7,47	3,05	8	PHG DS8M-1400-...	
178	56,06	1 424	7,47	3,05	8	PHG DS8M-1424-...	
179	56,38	1 432	7,47	3,05	8	PHG DS8M-1432-...	
180	56,69	1 440	7,47	3,05	8	PHG DS8M-1440-...	
185	58,27	1 480	7,47	3,05	8	PHG DS8M-1480-...	
189	59,53	1 512	7,47	3,05	8	PHG DS8M-1512-...	

To complete designation add belt width in mm.
 Non-standard lengths may also be available.
 Full sleeves are available in various widths. Please contact your SKF Authorized Distributor.
 For polyurethane version, add "PU" to the profile type. For example: PHG DS814MPU-6640-...

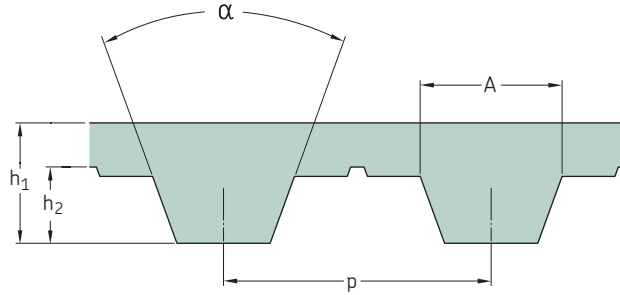
Double-sided super torque timing belts

DS8M



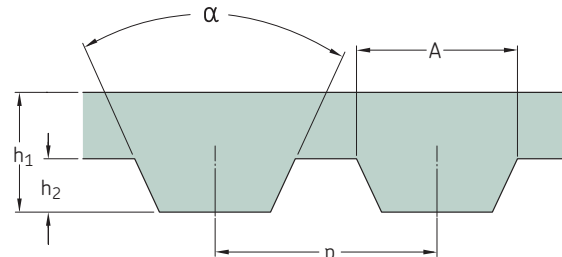
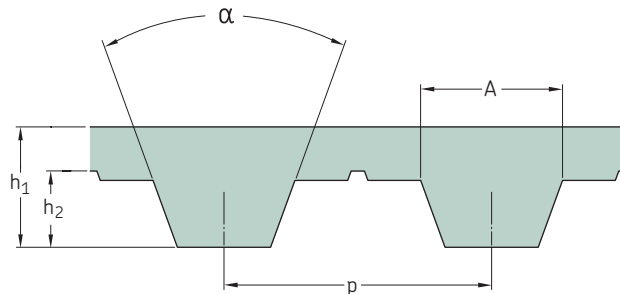
Section	Number of teeth	Dimensions		Designation			
		Pitch length		h	A	p	
		in.	mm				
DS8M	191	60,16	1 528	7,47	3,05	8	PHG DS8M-1528-...
	192	60,47	1 536	7,47	3,05	8	PHG DS8M-1536-...
	193	60,79	1 544	7,47	3,05	8	PHG DS8M-1544-...
	194	61,10	1 552	7,47	3,05	8	PHG DS8M-1552-...
	200	62,99	1 600	7,47	3,05	8	PHG DS8M-1600-...
	203	63,94	1 624	7,47	3,05	8	PHG DS8M-1624-...
	204	64,25	1 632	7,47	3,05	8	PHG DS8M-1632-...
	206	64,88	1 648	7,47	3,05	8	PHG DS8M-1648-...
	209	65,83	1 672	7,47	3,05	8	PHG DS8M-1672-...
	210	66,14	1 680	7,47	3,05	8	PHG DS8M-1680-...
	212	66,77	1 696	7,47	3,05	8	PHG DS8M-1696-...
	216	68,03	1 728	7,47	3,05	8	PHG DS8M-1728-...
	220	69,29	1 760	7,47	3,05	8	PHG DS8M-1760-...
	222	69,92	1 776	7,47	3,05	8	PHG DS8M-1776-...
	225	70,87	1 800	7,47	3,05	8	PHG DS8M-1800-...
	239	75,28	1 912	7,47	3,05	8	PHG DS8M-1912-...
	250	78,74	2 000	7,47	3,05	8	PHG DS8M-2000-...
	253	79,69	2 024	7,47	3,05	8	PHG DS8M-2024-...
	254	80,00	2 032	7,47	3,05	8	PHG DS8M-2032-...
	256	80,63	2 048	7,47	3,05	8	PHG DS8M-2048-...
	263	82,83	2 104	7,47	3,05	8	PHG DS8M-2104-...
	280	88,19	2 240	7,47	3,05	8	PHG DS8M-2240-...
	284	89,45	2 272	7,47	3,05	8	PHG DS8M-2272-...
	288	90,71	2 304	7,47	3,05	8	PHG DS8M-2304-...
	300	94,49	2 400	7,47	3,05	8	PHG DS8M-2400-...
	304	95,75	2 432	7,47	3,05	8	PHG DS8M-2432-...
	312	98,27	2 496	7,47	3,05	8	PHG DS8M-2496-...
	317	99,84	2 536	7,47	3,05	8	PHG DS8M-2536-...
	320	100,79	2 560	7,47	3,05	8	PHG DS8M-2560-...
	325	102,36	2 600	7,47	3,05	8	PHG DS8M-2600-...
	350	110,24	2 800	7,47	3,05	8	PHG DS8M-2800-...
	356	112,13	2 848	7,47	3,05	8	PHG DS8M-2848-...
	360	113,39	2 880	7,47	3,05	8	PHG DS8M-2880-...
	375	118,11	3 000	7,47	3,05	8	PHG DS8M-3000-...
	400	125,98	3 200	7,47	3,05	8	PHG DS8M-3200-...
	450	141,73	3 600	7,47	3,05	8	PHG DS8M-3600-...
	465	146,46	3 720	7,47	3,05	8	PHG DS8M-3720-...
	500	157,48	4 000	7,47	3,05	8	PHG DS8M-4000-...
	585	184,25	4 680	7,47	3,05	8	PHG DS8M-4680-...
	617	194,33	4 936	7,47	3,05	8	PHG DS8M-4936-...
635	200,00	5 080	7,47	3,05	8	PHG DS8M-5080-...	
700	220,47	5 600	7,47	3,05	8	PHG DS8M-5600-...	
712	224,25	5 696	7,47	3,05	8	PHG DS8M-5696-...	
830	261,42	6 640	7,47	3,05	8	PHG DS8M-6640-...	

To complete designation add belt width in mm.
 Non-standard lengths may also be available.
 Full sleeves are available in various widths. Please contact your SKF Authorized Distributor.
 For polyurethane version, add "PU" to the profile type. For example: PHG DS814MPU-6640-...



T							T5										
Section	Number of teeth	Dimensions					Designation	Section	Number of teeth	Dimensions					Designation		
		Pitch length		h ₁	h ₂	p				A	α	Pitch length		h ₁		h ₂	p
mm		mm					mm		mm			mm			mm		
T2.5	41	102.5	1.3	0.7	2.5	1.50	40	PHG T2.5-102.5-...	T5	51	255.0	2.2	1.2	5.0	2.65	40	PHG T5-255-...
	48	120.0	1.3	0.7	2.5	1.50	40	PHG T2.5-120-...		52	260.0	2.2	1.2	5.0	2.65	40	PHG T5-260-...
	58	145.0	1.3	0.7	2.5	1.50	40	PHG T2.5-145-...		55	275.0	2.2	1.2	5.0	2.65	40	PHG T5-275-...
	60	150.0	1.3	0.7	2.5	1.50	40	PHG T2.5-150-...		56	280.0	2.2	1.2	5.0	2.65	40	PHG T5-280-...
	64	160.0	1.3	0.7	2.5	1.50	40	PHG T2.5-160-...		59	295.0	2.2	1.2	5.0	2.65	40	PHG T5-295-...
	66	165.0	1.3	0.7	2.5	1.50	40	PHG T2.5-165-...		60	300.0	2.2	1.2	5.0	2.65	40	PHG T5-300-...
	68	170.0	1.3	0.7	2.5	1.50	40	PHG T2.5-170-...		61	305.0	2.2	1.2	5.0	2.65	40	PHG T5-305-...
	71	177.5	1.3	0.7	2.5	1.50	40	PHG T2.5-177.5-...		62	310.0	2.2	1.2	5.0	2.65	40	PHG T5-310-...
	75	187.5	1.3	0.7	2.5	1.50	40	PHG T2.5-187.5-...		65	325.0	2.2	1.2	5.0	2.65	40	PHG T5-325-...
	80	200.0	1.3	0.7	2.5	1.50	40	PHG T2.5-200-...		66	330.0	2.2	1.2	5.0	2.65	40	PHG T5-330-...
	92	230.0	1.3	0.7	2.5	1.50	40	PHG T2.5-230-...		68	340.0	2.2	1.2	5.0	2.65	40	PHG T5-340-...
	98	245.0	1.3	0.7	2.5	1.50	40	PHG T2.5-245-...		70	350.0	2.2	1.2	5.0	2.65	40	PHG T5-350-...
	106	265.0	1.3	0.7	2.5	1.50	40	PHG T2.5-265-...		71	355.0	2.2	1.2	5.0	2.65	40	PHG T5-355-...
	114	285.0	1.3	0.7	2.5	1.50	40	PHG T2.5-285-...		73	365.0	2.2	1.2	5.0	2.65	40	PHG T5-365-...
	120	300.0	1.3	0.7	2.5	1.50	40	PHG T2.5-300-...		75	375.0	2.2	1.2	5.0	2.65	40	PHG T5-375-...
127	317.5	1.3	0.7	2.5	1.50	40	PHG T2.5-317.5-...	78	390.0	2.2	1.2	5.0	2.65	40	PHG T5-390-...		
132	330.0	1.3	0.7	2.5	1.50	40	PHG T2.5-330-...	80	400.0	2.2	1.2	5.0	2.65	40	PHG T5-400-...		
134	335.0	1.3	0.7	2.5	1.50	40	PHG T2.5-335-...	82	410.0	2.2	1.2	5.0	2.65	40	PHG T5-410-...		
140	350.0	1.3	0.7	2.5	1.50	40	PHG T2.5-350-...	84	420.0	2.2	1.2	5.0	2.65	40	PHG T5-420-...		
152	380.0	1.3	0.7	2.5	1.50	40	PHG T2.5-380-...	90	450.0	2.2	1.2	5.0	2.65	40	PHG T5-450-...		
156	390.0	1.3	0.7	2.5	1.50	40	PHG T2.5-390-...	91	455.0	2.2	1.2	5.0	2.65	40	PHG T5-455-...		
160	400.0	1.3	0.7	2.5	1.50	40	PHG T2.5-400-...	95	475.0	2.2	1.2	5.0	2.65	40	PHG T5-475-...		
164	410.0	1.3	0.7	2.5	1.50	40	PHG T2.5-410-...	96	480.0	2.2	1.2	5.0	2.65	40	PHG T5-480-...		
168	420.0	1.3	0.7	2.5	1.50	40	PHG T2.5-420-...	100	500.0	2.2	1.2	5.0	2.65	40	PHG T5-500-...		
188	470.0	1.3	0.7	2.5	1.50	40	PHG T2.5-470-...	101	505.0	2.2	1.2	5.0	2.65	40	PHG T5-505-...		
192	480.0	1.3	0.7	2.5	1.50	40	PHG T2.5-480-...	102	510.0	2.2	1.2	5.0	2.65	40	PHG T5-510-...		
200	500.0	1.3	0.7	2.5	1.50	40	PHG T2.5-500-...	105	525.0	2.2	1.2	5.0	2.65	40	PHG T5-525-...		
216	540.0	1.3	0.7	2.5	1.50	40	PHG T2.5-540-...	108	540.0	2.2	1.2	5.0	2.65	40	PHG T5-540-...		
248	620.0	1.3	0.7	2.5	1.50	40	PHG T2.5-620-...	109	545.0	2.2	1.2	5.0	2.65	40	PHG T5-545-...		
254	635.0	1.3	0.7	2.5	1.50	40	PHG T2.5-635-...	110	550.0	2.2	1.2	5.0	2.65	40	PHG T5-550-...		
260	650.0	1.3	0.7	2.5	1.50	40	PHG T2.5-650-...	112	560.0	2.2	1.2	5.0	2.65	40	PHG T5-560-...		
276	690.0	1.3	0.7	2.5	1.50	40	PHG T2.5-690-...	114	570.0	2.2	1.2	5.0	2.65	40	PHG T5-570-...		
282	705.0	1.3	0.7	2.5	1.50	40	PHG T2.5-705-...	115	575.0	2.2	1.2	5.0	2.65	40	PHG T5-575-...		
315	787.5	1.3	0.7	2.5	1.50	40	PHG T2.5-787.5-...	116	580.0	2.2	1.2	5.0	2.65	40	PHG T5-580-...		
362	905.0	1.3	0.7	2.5	1.50	40	PHG T2.5-905-...	117	585.0	2.2	1.2	5.0	2.65	40	PHG T5-585-...		
390	975.0	1.3	0.7	2.5	1.50	40	PHG T2.5-975-...	120	600.0	2.2	1.2	5.0	2.65	40	PHG T5-600-...		
416	1 040.0	1.3	0.7	2.5	1.50	40	PHG T2.5-1040-...	122	610.0	2.2	1.2	5.0	2.65	40	PHG T5-610-...		
436	1 090.0	1.3	0.7	2.5	1.50	40	PHG T2.5-1090-...	124	620.0	2.2	1.2	5.0	2.65	40	PHG T5-620-...		
438	1 095.0	1.3	0.7	2.5	1.50	40	PHG T2.5-1095-...	126	630.0	2.2	1.2	5.0	2.65	40	PHG T5-630-...		
451	1 127.5	1.3	0.7	2.5	1.50	40	PHG T2.5-1127.5-...	127	635.0	2.2	1.2	5.0	2.65	40	PHG T5-635-...		
518	1 295.0	1.3	0.7	2.5	1.50	40	PHG T2.5-1295-...	130	650.0	2.2	1.2	5.0	2.65	40	PHG T5-650-...		
538	1 345.0	1.3	0.7	2.5	1.50	40	PHG T2.5-1345-...	133	665.0	2.2	1.2	5.0	2.65	40	PHG T5-665-...		
T5	23	115.0	2.2	1.2	5.0	2.65	40	PHG T5-115-...	135	675.0	2.2	1.2	5.0	2.65	40	PHG T5-675-...	
	30	150.0	2.2	1.2	5.0	2.65	40	PHG T5-150-...	137	685.0	2.2	1.2	5.0	2.65	40	PHG T5-685-...	
	33	165.0	2.2	1.2	5.0	2.65	40	PHG T5-165-...	138	690.0	2.2	1.2	5.0	2.65	40	PHG T5-690-...	
	37	185.0	2.2	1.2	5.0	2.65	40	PHG T5-185-...	140	700.0	2.2	1.2	5.0	2.65	40	PHG T5-700-...	
	38	190.0	2.2	1.2	5.0	2.65	40	PHG T5-190-...	142	710.0	2.2	1.2	5.0	2.65	40	PHG T5-710-...	
	40	200.0	2.2	1.2	5.0	2.65	40	PHG T5-200-...	144	720.0	2.2	1.2	5.0	2.65	40	PHG T5-720-...	
	42	210.0	2.2	1.2	5.0	2.65	40	PHG T5-210-...	145	725.0	2.2	1.2	5.0	2.65	40	PHG T5-725-...	
	43	215.0	2.2	1.2	5.0	2.65	40	PHG T5-215-...	148	740.0	2.2	1.2	5.0	2.65	40	PHG T5-740-...	
	44	220.0	2.2	1.2	5.0	2.65	40	PHG T5-220-...	150	750.0	2.2	1.2	5.0	2.65	40	PHG T5-750-...	
	45	225.0	2.2	1.2	5.0	2.65	40	PHG T5-225-...	156	780.0	2.2	1.2	5.0	2.65	40	PHG T5-780-...	
	48	240.0	2.2	1.2	5.0	2.65	40	PHG T5-240-...	158	790.0	2.2	1.2	5.0	2.65	40	PHG T5-790-...	
	50	250.0	2.2	1.2	5.0	2.65	40	PHG T5-250-...	160	800.0	2.2	1.2	5.0	2.65	40	PHG T5-800-...	
									161	805.0	2.2	1.2	5.0	2.65	40	PHG T5-805-...	

Non-standard lengths may also be available.
 To complete designation add belt width in mm.
 For polyurethane version, add "PU" to the profile type. For example: PHG T5PU-1000...
 Full sleeves are available in various widths. Please contact your SKF Authorized Distributor.



T

AT

Section	Number of teeth	Dimensions					Designation	
		Pitch length		p	A	α		
		h ₁	h ₂	p	A	α		
		mm					°	-
T5	162	810,0	2,2	1,2	5,0	2,65	40	PHG T5-810-...
	163	815,0	2,2	1,2	5,0	2,65	40	PHG T5-815-...
	170	850,0	2,2	1,2	5,0	2,65	40	PHG T5-850-...
	172	860,0	2,2	1,2	5,0	2,65	40	PHG T5-860-...
	177	885,0	2,2	1,2	5,0	2,65	40	PHG T5-885-...
	180	900,0	2,2	1,2	5,0	2,65	40	PHG T5-900-...
	182	910,0	2,2	1,2	5,0	2,65	40	PHG T5-910-...
	188	940,0	2,2	1,2	5,0	2,65	40	PHG T5-940-...
	198	990,0	2,2	1,2	5,0	2,65	40	PHG T5-990-...
	199	995,0	2,2	1,2	5,0	2,65	40	PHG T5-995-...
	200	1 000,0	2,2	1,2	5,0	2,65	40	PHG T5-1000-...
	204	1 020,0	2,2	1,2	5,0	2,65	40	PHG T5-1020-...
	206	1 030,0	2,2	1,2	5,0	2,65	40	PHG T5-1030-...
	209	1 045,0	2,2	1,2	5,0	2,65	40	PHG T5-1045-...
	210	1 050,0	2,2	1,2	5,0	2,65	40	PHG T5-1050-...
	212	1 060,0	2,2	1,2	5,0	2,65	40	PHG T5-1060-...
	215	1 075,0	2,2	1,2	5,0	2,65	40	PHG T5-1075-...
	220	1 100,0	2,2	1,2	5,0	2,65	40	PHG T5-1100-...
	224	1 120,0	2,2	1,2	5,0	2,65	40	PHG T5-1120-...
	228	1 140,0	2,2	1,2	5,0	2,65	40	PHG T5-1140-...
240	1 200,0	2,2	1,2	5,0	2,65	40	PHG T5-1200-...	
243	1 215,0	2,2	1,2	5,0	2,65	40	PHG T5-1215-...	
252	1 260,0	2,2	1,2	5,0	2,65	40	PHG T5-1260-...	
254	1 270,0	2,2	1,2	5,0	2,65	40	PHG T5-1270-...	
255	1 275,0	2,2	1,2	5,0	2,65	40	PHG T5-1275-...	
260	1 300,0	2,2	1,2	5,0	2,65	40	PHG T5-1300-...	
265	1 325,0	2,2	1,2	5,0	2,65	40	PHG T5-1325-...	
276	1 380,0	2,2	1,2	5,0	2,65	40	PHG T5-1380-...	
278	1 390,0	2,2	1,2	5,0	2,65	40	PHG T5-1390-...	
283	1 415,0	2,2	1,2	5,0	2,65	40	PHG T5-1415-...	
304	1 520,0	2,2	1,2	5,0	2,65	40	PHG T5-1520-...	
326	1 630,0	2,2	1,2	5,0	2,65	40	PHG T5-1630-...	
348	1 740,0	2,2	1,2	5,0	2,65	40	PHG T5-1740-...	
352	1 760,0	2,2	1,2	5,0	2,65	40	PHG T5-1760-...	
360	1 800,0	2,2	1,2	5,0	2,65	40	PHG T5-1800-...	
376	1 880,0	2,2	1,2	5,0	2,65	40	PHG T5-1880-...	
380	1 900,0	2,2	1,2	5,0	2,65	40	PHG T5-1900-...	
388	1 940,0	2,2	1,2	5,0	2,65	40	PHG T5-1940-...	
392	1 960,0	2,2	1,2	5,0	2,65	40	PHG T5-1960-...	
424	2 120,0	2,2	1,2	5,0	2,65	40	PHG T5-2120-...	
432	2 160,0	2,2	1,2	5,0	2,65	40	PHG T5-2160-...	
444	2 220,0	2,2	1,2	5,0	2,65	40	PHG T5-2220-...	
452	2 260,0	2,2	1,2	5,0	2,65	40	PHG T5-2260-...	
456	2 280,0	2,2	1,2	5,0	2,65	40	PHG T5-2280-...	
612	3 060,0	2,2	1,2	5,0	2,65	40	PHG T5-3060-...	
651	3 255,0	2,2	1,2	5,0	2,65	40	PHG T5-3255-...	
658	3 290,0	2,2	1,2	5,0	2,65	40	PHG T5-3290-...	
708	3 540,0	2,2	1,2	5,0	2,65	40	PHG T5-3540-...	
750	3 750,0	2,2	1,2	5,0	2,65	40	PHG T5-3750-...	
815	4 075,0	2,2	1,2	5,0	2,65	40	PHG T5-4075-...	
T10	26	260,0	4,5	2,5	10,0	5,30	40	PHG T10-260-...
	32	320,0	4,5	2,5	10,0	5,30	40	PHG T10-320-...
	34	340,0	4,5	2,5	10,0	5,30	40	PHG T10-340-...
	37	370,0	4,5	2,5	10,0	5,30	40	PHG T10-370-...
	40	400,0	4,5	2,5	10,0	5,30	40	PHG T10-400-...

Section	Number of teeth	Dimensions					Designation	
		Pitch length		p	A	α		
		h ₁	h ₂	p	A	α		
		mm					°	-
T10	41	410,0	4,5	2,5	10,0	5,30	40	PHG T10-410-...
	44	440,0	4,5	2,5	10,0	5,30	40	PHG T10-440-...
	45	450,0	4,5	2,5	10,0	5,30	40	PHG T10-450-...
	46	460,0	4,5	2,5	10,0	5,30	40	PHG T10-460-...
	48	480,0	4,5	2,5	10,0	5,30	40	PHG T10-480-...
	50	500,0	4,5	2,5	10,0	5,30	40	PHG T10-500-...
	53	530,0	4,5	2,5	10,0	5,30	40	PHG T10-530-...
	54	540,0	4,5	2,5	10,0	5,30	40	PHG T10-540-...
	55	550,0	4,5	2,5	10,0	5,30	40	PHG T10-550-...
	56	560,0	4,5	2,5	10,0	5,30	40	PHG T10-560-...
	58	580,0	4,5	2,5	10,0	5,30	40	PHG T10-580-...
	60	600,0	4,5	2,5	10,0	5,30	40	PHG T10-600-...
	61	610,0	4,5	2,5	10,0	5,30	40	PHG T10-610-...
	63	630,0	4,5	2,5	10,0	5,30	40	PHG T10-630-...
	65	650,0	4,5	2,5	10,0	5,30	40	PHG T10-650-...
	66	660,0	4,5	2,5	10,0	5,30	40	PHG T10-660-...
	69	690,0	4,5	2,5	10,0	5,30	40	PHG T10-690-...
	70	700,0	4,5	2,5	10,0	5,30	40	PHG T10-700-...
	72	720,0	4,5	2,5	10,0	5,30	40	PHG T10-720-...
	73	730,0	4,5	2,5	10,0	5,30	40	PHG T10-730-...
75	750,0	4,5	2,5	10,0	5,30	40	PHG T10-750-...	
77	770,0	4,5	2,5	10,0	5,30	40	PHG T10-770-...	
78	780,0	4,5	2,5	10,0	5,30	40	PHG T10-780-...	
80	800,0	4,5	2,5	10,0	5,30	40	PHG T10-800-...	
81	810,0	4,5	2,5	10,0	5,30	40	PHG T10-810-...	
84	840,0	4,5	2,5	10,0	5,30	40	PHG T10-840-...	
85	850,0	4,5	2,5	10,0	5,30	40	PHG T10-850-...	
88	880,0	4,5	2,5	10,0	5,30	40	PHG T10-880-...	
89	890,0	4,5	2,5	10,0	5,30	40	PHG T10-890-...	
90	900,0	4,5	2,5	10,0	5,30	40	PHG T10-900-...	
91	910,0	4,5	2,5	10,0	5,30	40	PHG T10-910-...	
92	920,0	4,5	2,5	10,0	5,30	40	PHG T10-920-...	
95	950,0	4,5	2,5	10,0	5,30	40	PHG T10-950-...	
96	960,0	4,5	2,5	10,0	5,30	40	PHG T10-960-...	
97	970,0	4,5	2,5	10,0	5,30	40	PHG T10-970-...	
98	980,0	4,5	2,5	10,0	5,30	40	PHG T10-980-...	
100	1 000,0	4,5	2,5	10,0	5,30	40	PHG T10-1000-...	
101	1 010,0	4,5	2,5	10,0	5,30	40	PHG T10-1010-...	
103	1 030,0	4,5	2,5	10,0	5,30	40	PHG T10-1030-...	
104	1 040,0	4,5	2,5	10,0	5,30	40	PHG T10-1040-...	
105	1 050,0	4,5	2,5	10,0	5,30	40	PHG T10-1050-...	
108	1 080,0	4,5	2,5	10,0	5,30	40	PHG T10-1080-...	
110	1 100,0	4,5	2,5	10,0	5,30	40	PHG T10-1100-...	
111	1 110,0	4,5	2,5	10,0	5,30	40	PHG T10-1110-...	
114	1 140,0	4,5	2,5	10,0	5,30	40	PHG T10-1140-...	
115	1 150,0	4,5	2,5	10,0	5,30	40	PHG T10-1150-...	
120	1 200,0	4,5	2,5	10,0	5,30	40	PHG T10-1200-...	
121	1 210,0	4,5	2,5	10,0	5,30	40	PHG T10-1210-...	
124	1 240,0	4,5	2,5	10,0	5,30	40	PHG T10-1240-...	
125	1 250,0	4,5	2,5	10,0	5,30	40	PHG T10-1250-...	
126	1 260,0	4,5	2,5	10,0	5,30	40	PHG T10-1260-...	
128	1 280,0	4,5	2,5	10,0	5,30	40	PHG T10-1280-...	
130	1 300,0	4,5	2,5	10,0	5,30	40	PHG T10-1300-...	
132	1 320,0	4,5	2,5	10,0	5,30	40	PHG T10-1320-...	
135	1 350,0	4,5	2,5	10,0	5,30	40	PHG T10-1350-...	

Non-standard lengths may also be available.

To complete designation add belt width in mm.

For polyurethane version, add "PU" to the profile type. For example: PHG T5PU-1000...

Full sleeves are available in various widths. Please contact your SKF Authorized Distributor.

SKF Metric Timing Belts
T10 | T20 | AT5 | AT10 | AT20

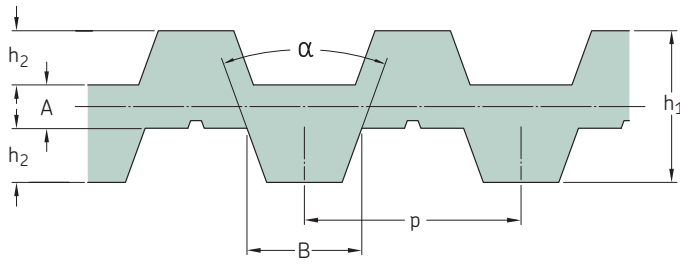
Section	Number of teeth	Dimensions					Designation		
		Pitch length	h_1	h_2	p	A		α	
		mm					°		
T10	139	1390,0	4,5	2,5	10,0	5,30	40	PHG T10-1390-...	
	140	1400,0	4,5	2,5	10,0	5,30	40	PHG T10-1400-...	
	142	1420,0	4,5	2,5	10,0	5,30	40	PHG T10-1420-...	
	144	1440,0	4,5	2,5	10,0	5,30	40	PHG T10-1440-...	
	145	1450,0	4,5	2,5	10,0	5,30	40	PHG T10-1450-...	
	146	1460,0	4,5	2,5	10,0	5,30	40	PHG T10-1460-...	
	148	1480,0	4,5	2,5	10,0	5,30	40	PHG T10-1480-...	
	150	1500,0	4,5	2,5	10,0	5,30	40	PHG T10-1500-...	
	152	1520,0	4,5	2,5	10,0	5,30	40	PHG T10-1520-...	
	156	1560,0	4,5	2,5	10,0	5,30	40	PHG T10-1560-...	
	160	1600,0	4,5	2,5	10,0	5,30	40	PHG T10-1600-...	
	161	1610,0	4,5	2,5	10,0	5,30	40	PHG T10-1610-...	
	164	1640,0	4,5	2,5	10,0	5,30	40	PHG T10-1640-...	
	169	1690,0	4,5	2,5	10,0	5,30	40	PHG T10-1690-...	
	170	1700,0	4,5	2,5	10,0	5,30	40	PHG T10-1700-...	
	175	1750,0	4,5	2,5	10,0	5,30	40	PHG T10-1750-...	
	178	1780,0	4,5	2,5	10,0	5,30	40	PHG T10-1780-...	
	180	1800,0	4,5	2,5	10,0	5,30	40	PHG T10-1800-...	
	186	1860,0	4,5	2,5	10,0	5,30	40	PHG T10-1860-...	
	188	1880,0	4,5	2,5	10,0	5,30	40	PHG T10-1880-...	
	196	1960,0	4,5	2,5	10,0	5,30	40	PHG T10-1960-...	
	198	1980,0	4,5	2,5	10,0	5,30	40	PHG T10-1980-...	
	202	2020,0	4,5	2,5	10,0	5,30	40	PHG T10-2020-...	
	208	2080,0	4,5	2,5	10,0	5,30	40	PHG T10-2080-...	
	209	2090,0	4,5	2,5	10,0	5,30	40	PHG T10-2090-...	
	210	2100,0	4,5	2,5	10,0	5,30	40	PHG T10-2100-...	
	220	2200,0	4,5	2,5	10,0	5,30	40	PHG T10-2200-...	
	225	2250,0	4,5	2,5	10,0	5,30	40	PHG T10-2250-...	
	227	2270,0	4,5	2,5	10,0	5,30	40	PHG T10-2270-...	
	230	2300,0	4,5	2,5	10,0	5,30	40	PHG T10-2300-...	
	234	2340,0	4,5	2,5	10,0	5,30	40	PHG T10-2340-...	
	236	2360,0	4,5	2,5	10,0	5,30	40	PHG T10-2360-...	
	238	2380,0	4,5	2,5	10,0	5,30	40	PHG T10-2380-...	
	243	2430,0	4,5	2,5	10,0	5,30	40	PHG T10-2430-...	
	248	2480,0	4,5	2,5	10,0	5,30	40	PHG T10-2480-...	
	250	2500,0	4,5	2,5	10,0	5,30	40	PHG T10-2500-...	
	254	2540,0	4,5	2,5	10,0	5,30	40	PHG T10-2540-...	
	259	2590,0	4,5	2,5	10,0	5,30	40	PHG T10-2590-...	
	260	2600,0	4,5	2,5	10,0	5,30	40	PHG T10-2600-...	
	261	2610,0	4,5	2,5	10,0	5,30	40	PHG T10-2610-...	
	265	2650,0	4,5	2,5	10,0	5,30	40	PHG T10-2650-...	
	270	2700,0	4,5	2,5	10,0	5,30	40	PHG T10-2700-...	
	280	2800,0	4,5	2,5	10,0	5,30	40	PHG T10-2800-...	
	288	2880,0	4,5	2,5	10,0	5,30	40	PHG T10-2880-...	
	300	3000,0	4,5	2,5	10,0	5,30	40	PHG T10-3000-...	
	304	3040,0	4,5	2,5	10,0	5,30	40	PHG T10-3040-...	
	310	3100,0	4,5	2,5	10,0	5,30	40	PHG T10-3100-...	
	323	3230,0	4,5	2,5	10,0	5,30	40	PHG T10-3230-...	
	330	3300,0	4,5	2,5	10,0	5,30	40	PHG T10-3300-...	
	334	3340,0	4,5	2,5	10,0	5,30	40	PHG T10-3340-...	
	350	3500,0	4,5	2,5	10,0	5,30	40	PHG T10-3500-...	
	360	3600,0	4,5	2,5	10,0	5,30	40	PHG T10-3600-...	
	368	3680,0	4,5	2,5	10,0	5,30	40	PHG T10-3680-...	
	387	3870,0	4,5	2,5	10,0	5,30	40	PHG T10-3870-...	
	404	4040,0	4,5	2,5	10,0	5,30	40	PHG T10-4040-...	
	428	4280,0	4,5	2,5	10,0	5,30	40	PHG T10-4280-...	
	468	4680,0	4,5	2,5	10,0	5,30	40	PHG T10-4680-...	
	506	5060,0	4,5	2,5	10,0	5,30	40	PHG T10-5060-...	
	536	5360,0	4,5	2,5	10,0	5,30	40	PHG T10-5360-...	
	567	5670,0	4,5	2,5	10,0	5,30	40	PHG T10-5670-...	
	600	6000,0	4,5	2,5	10,0	5,30	40	PHG T10-6000-...	
	629	6290,0	4,5	2,5	10,0	5,30	40	PHG T10-6290-...	
	700	7000,0	4,5	2,5	10,0	5,30	40	PHG T10-7000-...	
	705	7050,0	4,5	2,5	10,0	5,30	40	PHG T10-7050-...	
	T20	44	880,0	8,0	5,0	20,0	10,15	40	PHG T20-880-...
		59	1180,0	8,0	5,0	20,0	10,15	40	PHG T20-1180-...
		61	1220,0	8,0	5,0	20,0	10,15	40	PHG T20-1220-...
		62	1240,0	8,0	5,0	20,0	10,15	40	PHG T20-1240-...
		63	1260,0	8,0	5,0	20,0	10,15	40	PHG T20-1260-...
		64	1280,0	8,0	5,0	20,0	10,15	40	PHG T20-1280-...
		73	1460,0	8,0	5,0	20,0	10,15	40	PHG T20-1460-...
80		1600,0	8,0	5,0	20,0	10,15	40	PHG T20-1600-...	
84		1680,0	8,0	5,0	20,0	10,15	40	PHG T20-1680-...	
85		1700,0	8,0	5,0	20,0	10,15	40	PHG T20-1700-...	
89		1780,0	8,0	5,0	20,0	10,15	40	PHG T20-1780-...	
94		1880,0	8,0	5,0	20,0	10,15	40	PHG T20-1880-...	

Section	Number of teeth	Dimensions					Designation		
		Pitch length	h_1	h_2	p	A		α	
		mm					°		
T20	102	2040,0	8,0	5,0	20,0	10,15	40	PHG T20-2040-...	
	110	2200,0	8,0	5,0	20,0	10,15	40	PHG T20-2200-...	
	112	2240,0	8,0	5,0	20,0	10,15	40	PHG T20-2240-...	
	130	2600,0	8,0	5,0	20,0	10,15	40	PHG T20-2600-...	
	136	2720,0	8,0	5,0	20,0	10,15	40	PHG T20-2720-...	
	137	2740,0	8,0	5,0	20,0	10,15	40	PHG T20-2740-...	
	138	2760,0	8,0	5,0	20,0	10,15	40	PHG T20-2760-...	
	155	3100,0	8,0	5,0	20,0	10,15	40	PHG T20-3100-...	
	181	3620,0	8,0	5,0	20,0	10,15	40	PHG T20-3620-...	
	238	4760,0	8,0	5,0	20,0	10,15	40	PHG T20-4760-...	
	250	5000,0	8,0	5,0	20,0	10,15	40	PHG T20-5000-...	
	AT5	44	220,0	2,7	1,2	5,0	3,62	50	PHG AT5-220-...
		60	300,0	2,7	1,2	5,0	3,62	50	PHG AT5-300-...
61		305,0	2,7	1,2	5,0	3,62	50	PHG AT5-305-...	
68		340,0	2,7	1,2	5,0	3,62	50	PHG AT5-340-...	
78		390,0	2,7	1,2	5,0	3,62	50	PHG AT5-390-...	
84		420,0	2,7	1,2	5,0	3,62	50	PHG AT5-420-...	
91		455,0	2,7	1,2	5,0	3,62	50	PHG AT5-455-...	
109		545,0	2,7	1,2	5,0	3,62	50	PHG AT5-545-...	
120		600,0	2,7	1,2	5,0	3,62	50	PHG AT5-600-...	
126		630,0	2,7	1,2	5,0	3,62	50	PHG AT5-630-...	
132		660,0	2,7	1,2	5,0	3,62	50	PHG AT5-660-...	
138		690,0	2,7	1,2	5,0	3,62	50	PHG AT5-690-...	
150		750,0	2,7	1,2	5,0	3,62	50	PHG AT5-750-...	
165		825,0	2,7	1,2	5,0	3,62	50	PHG AT5-825-...	
195		975,0	2,7	1,2	5,0	3,62	50	PHG AT5-975-...	
225		1125,0	2,7	1,2	5,0	3,62	50	PHG AT5-1125-...	
304		1520,0	2,7	1,2	5,0	3,62	50	PHG AT5-1520-...	
AT10		50	500,0	5,0	2,5	10,0	7,30	50	PHG AT10-500-...
	56	560,0	5,0	2,5	10,0	7,30	50	PHG AT10-560-...	
	58	580,0	5,0	2,5	10,0	7,30	50	PHG AT10-580-...	
	66	660,0	5,0	2,5	10,0	7,30	50	PHG AT10-660-...	
	73	730,0	5,0	2,5	10,0	7,30	50	PHG AT10-730-...	
	84	840,0	5,0	2,5	10,0	7,30	50	PHG AT10-840-...	
	92	920,0	5,0	2,5	10,0	7,30	50	PHG AT10-920-...	
	96	960,0	5,0	2,5	10,0	7,30	50	PHG AT10-960-...	
	101	1010,0	5,0	2,5	10,0	7,30	50	PHG AT10-1010-...	
	115	1150,0	5,0	2,5	10,0	7,30	50	PHG AT10-1150-...	
	121	1210,0	5,0	2,5	10,0	7,30	50	PHG AT10-1210-...	
	124	1240,0	5,0	2,5	10,0	7,30	50	PHG AT10-1240-...	
	125	1250,0	5,0	2,5	10,0	7,30	50	PHG AT10-1250-...	
128	1280,0	5,0	2,5	10,0	7,30	50	PHG AT10-1280-...		
132	1320,0	5,0	2,5	10,0	7,30	50	PHG AT10-1320-...		
150	1500,0	5,0	2,5	10,0	7,30	50	PHG AT10-1500-...		
161	1610,0	5,0	2,5	10,0	7,30	50	PHG AT10-1610-...		
180	1800,0	5,0	2,5	10,0	7,30	50	PHG AT10-1800-...		
194	1940,0	5,0	2,5	10,0	7,30	50	PHG AT10-1940-...		
200	2000,0	5,0	2,5	10,0	7,30	50	PHG AT10-2000-...		
225	2250,0	5,0	2,5	10,0	7,30	50	PHG AT10-2250-...		
240	2400,0	5,0	2,5	10,0	7,30	50	PHG AT10-2400-...		
259	2590,0	5,0	2,5	10,0	7,30	50	PHG AT10-2590-...		
288	2880,0	5,0	2,5	10,0	7,30	50	PHG AT10-2880-...		
308	3080,0	5,0	2,5	10,0	7,30	50	PHG AT10-3080-...		
315	3150,0	5,0	2,5	10,0	7,30	50	PHG AT10-3150-...		
334	3340,0	5,0	2,5	10,0	7,30	50	PHG AT10-3340-...		
403	4030,0	5,0	2,5	10,0	7,30	50	PHG AT10-4030-...		
AT20	50	1000,0	8,0	5,0	20,0	12,70	50	PHG AT20-1000-...	
	55	1100,0	8,0	5,0	20,0	12,70	50	PHG AT20-1100-...	
	85	1700,0	8,0	5,0	20,0	12,70	50	PHG AT20-1700-...	
	95	1900,0	8,0	5,0	20,0	12,70	50	PHG AT20-1900-...	
	118	2360,0	8,0	5,0	20,0	12,70	50	PHG AT20-2360-...	

Non-standard lengths may also be available.
 To complete designation add belt width in mm.
 For polyurethane version, add "PU" to the profile type. For example: PHG T5PU-1000...
 Full sleeves are available in various widths. Please contact your SKF Authorized Distributor.

SKF Double-sided Metric Timing Belts

D-T5



Section	Number of teeth per side	Dimensions Pitch length	Dimensions						Designation
			h_2	A	B	p	h_1	α	
mm			°						
D-T5	100	500	1,20	1,0	2,65	5,0	3,40	40	PHG DA-T5-500-...
	101	505	1,20	1,0	2,65	5,0	3,40	40	PHG DA-T5-505-...
	102	510	1,20	1,0	2,65	5,0	3,40	40	PHG DA-T5-510-...
	105	525	1,20	1,0	2,65	5,0	3,40	40	PHG DA-T5-525-...
	108	540	1,20	1,0	2,65	5,0	3,40	40	PHG DA-T5-540-...
	109	545	1,20	1,0	2,65	5,0	3,40	40	PHG DA-T5-545-...
	110	550	1,20	1,0	2,65	5,0	3,40	40	PHG DA-T5-550-...
	112	560	1,20	1,0	2,65	5,0	3,40	40	PHG DA-T5-560-...
	114	570	1,20	1,0	2,65	5,0	3,40	40	PHG DA-T5-570-...
	115	575	1,20	1,0	2,65	5,0	3,40	40	PHG DA-T5-575-...
	116	580	1,20	1,0	2,65	5,0	3,40	40	PHG DA-T5-580-...
	117	585	1,20	1,0	2,65	5,0	3,40	40	PHG DA-T5-585-...
	120	600	1,20	1,0	2,65	5,0	3,40	40	PHG DA-T5-600-...
	122	610	1,20	1,0	2,65	5,0	3,40	40	PHG DA-T5-610-...
	124	620	1,20	1,0	2,65	5,0	3,40	40	PHG DA-T5-620-...
	126	630	1,20	1,0	2,65	5,0	3,40	40	PHG DA-T5-630-...
	127	635	1,20	1,0	2,65	5,0	3,40	40	PHG DA-T5-635-...
	130	650	1,20	1,0	2,65	5,0	3,40	40	PHG DA-T5-650-...
	133	665	1,20	1,0	2,65	5,0	3,40	40	PHG DA-T5-665-...
	135	675	1,20	1,0	2,65	5,0	3,40	40	PHG DA-T5-675-...
	137	685	1,20	1,0	2,65	5,0	3,40	40	PHG DA-T5-685-...
	138	690	1,20	1,0	2,65	5,0	3,40	40	PHG DA-T5-690-...
	140	700	1,20	1,0	2,65	5,0	3,40	40	PHG DA-T5-700-...
	142	710	1,20	1,0	2,65	5,0	3,40	40	PHG DA-T5-710-...
	144	720	1,20	1,0	2,65	5,0	3,40	40	PHG DA-T5-720-...
	145	725	1,20	1,0	2,65	5,0	3,40	40	PHG DA-T5-725-...
	148	740	1,20	1,0	2,65	5,0	3,40	40	PHG DA-T5-740-...
	150	750	1,20	1,0	2,65	5,0	3,40	40	PHG DA-T5-750-...
	156	780	1,20	1,0	2,65	5,0	3,40	40	PHG DA-T5-780-...
	158	790	1,20	1,0	2,65	5,0	3,40	40	PHG DA-T5-790-...
	160	800	1,20	1,0	2,65	5,0	3,40	40	PHG DA-T5-800-...
	161	805	1,20	1,0	2,65	5,0	3,40	40	PHG DA-T5-805-...
	162	810	1,20	1,0	2,65	5,0	3,40	40	PHG DA-T5-810-...
	163	815	1,20	1,0	2,65	5,0	3,40	40	PHG DA-T5-815-...
	168	840	1,20	1,0	2,65	5,0	3,40	40	PHG DA-T5-840-...
	170	850	1,20	1,0	2,65	5,0	3,40	40	PHG DA-T5-850-...
	172	860	1,20	1,0	2,65	5,0	3,40	40	PHG DA-T5-860-...
	180	900	1,20	1,0	2,65	5,0	3,40	40	PHG DA-T5-900-...
	188	940	1,20	1,0	2,65	5,0	3,40	40	PHG DA-T5-940-...
	198	990	1,20	1,0	2,65	5,0	3,40	40	PHG DA-T5-990-...
	199	995	1,20	1,0	2,65	5,0	3,40	40	PHG DA-T5-995-...
	200	1 000	1,20	1,0	2,65	5,0	3,40	40	PHG DA-T5-1000-...
	204	1 020	1,20	1,0	2,65	5,0	3,40	40	PHG DA-T5-1020-...
	206	1 030	1,20	1,0	2,65	5,0	3,40	40	PHG DA-T5-1030-...
	209	1 045	1,20	1,0	2,65	5,0	3,40	40	PHG DA-T5-1045-...
	210	1 050	1,20	1,0	2,65	5,0	3,40	40	PHG DA-T5-1050-...
	212	1 060	1,20	1,0	2,65	5,0	3,40	40	PHG DA-T5-1060-...
	215	1 075	1,20	1,0	2,65	5,0	3,40	40	PHG DA-T5-1075-...
	220	1 100	1,20	1,0	2,65	5,0	3,40	40	PHG DA-T5-1100-...
	224	1 120	1,20	1,0	2,65	5,0	3,40	40	PHG DA-T5-1120-...
	228	1 140	1,20	1,0	2,65	5,0	3,40	40	PHG DA-T5-1140-...
	240	1 200	1,20	1,0	2,65	5,0	3,40	40	PHG DA-T5-1200-...
	243	1 215	1,20	1,0	2,65	5,0	3,40	40	PHG DA-T5-1215-...
	252	1 260	1,20	1,0	2,65	5,0	3,40	40	PHG DA-T5-1260-...
	254	1 270	1,20	1,0	2,65	5,0	3,40	40	PHG DA-T5-1270-...

Non-standard lengths may also be available.

To complete designation add belt width in mm.

Double-sided metric belts are available in symmetric (DA) and asymmetric (DB) tooth profiles. Symmetric will be supplied unless otherwise specified.

Full sleeves are available in various widths. Please contact your SKF Authorized Distributor.

For polyurethane version, add "PU" to the profile type. For example: PHG T5PU-1000...

SKF Double-sided Metric Timing Belts

D-T5 | D-T10

Section	Number of teeth per side	Dimensions Pitch length	Dimensions						Designation
			h_2	A	B	p	h_1	α	
–	–	mm						°	–
D-T5	255	1 275	1,20	1,0	2,65	5,0	3,40	40	PHG DA-T5-1275-...
	260	1 300	1,20	1,0	2,65	5,0	3,40	40	PHG DA-T5-1300-...
	265	1 325	1,20	1,0	2,65	5,0	3,40	40	PHG DA-T5-1325-...
	276	1 380	1,20	1,0	2,65	5,0	3,40	40	PHG DA-T5-1380-...
	278	1 390	1,20	1,0	2,65	5,0	3,40	40	PHG DA-T5-1390-...
	283	1 415	1,20	1,0	2,65	5,0	3,40	40	PHG DA-T5-1415-...
D-T10	90	900	2,50	2,0	5,30	10,0	7,00	40	PHG DA-T10-900-...
	91	910	2,50	2,0	5,30	10,0	7,00	40	PHG DA-T10-910-...
	92	920	2,50	2,0	5,30	10,0	7,00	40	PHG DA-T10-920-...
	95	950	2,50	2,0	5,30	10,0	7,00	40	PHG DA-T10-950-...
	95	950	2,50	2,0	5,30	10,0	7,00	40	PHG DA-T10-950-...
	96	960	2,50	2,0	5,30	10,0	7,00	40	PHG DA-T10-960-...
	97	970	2,50	2,0	5,30	10,0	7,00	40	PHG DA-T10-970-...
	98	980	2,50	2,0	5,30	10,0	7,00	40	PHG DA-T10-980-...
	100	1 000	2,50	2,0	5,30	10,0	7,00	40	PHG DA-T10-1000-...
	101	1 010	2,50	2,0	5,30	10,0	7,00	40	PHG DA-T10-1010-...
	103	1 030	2,50	2,0	5,30	10,0	7,00	40	PHG DA-T10-1030-...
	104	1 040	2,50	2,0	5,30	10,0	7,00	40	PHG DA-T10-1040-...
	105	1 050	2,50	2,0	5,30	10,0	7,00	40	PHG DA-T10-1050-...
	108	1 080	2,50	2,0	5,30	10,0	7,00	40	PHG DA-T10-1080-...
	110	1 100	2,50	2,0	5,30	10,0	7,00	40	PHG DA-T10-1100-...
	111	1 110	2,50	2,0	5,30	10,0	7,00	40	PHG DA-T10-1110-...
	114	1 140	2,50	2,0	5,30	10,0	7,00	40	PHG DA-T10-1140-...
	115	1 150	2,50	2,0	5,30	10,0	7,00	40	PHG DA-T10-1150-...
	120	1 200	2,50	2,0	5,30	10,0	7,00	40	PHG DA-T10-1200-...
	121	1 210	2,50	2,0	5,30	10,0	7,00	40	PHG DA-T10-1210-...
	124	1 240	2,50	2,0	5,30	10,0	7,00	40	PHG DA-T10-1240-...
	125	1 250	2,50	2,0	5,30	10,0	7,00	40	PHG DA-T10-1250-...
	126	1 260	2,50	2,0	5,30	10,0	7,00	40	PHG DA-T10-1260-...
	128	1 280	2,50	2,0	5,30	10,0	7,00	40	PHG DA-T10-1280-...
	130	1 300	2,50	2,0	5,30	10,0	7,00	40	PHG DA-T10-1300-...
	132	1 320	2,50	2,0	5,30	10,0	7,00	40	PHG DA-T10-1320-...
	135	1 350	2,50	2,0	5,30	10,0	7,00	40	PHG DA-T10-1350-...
	139	1 390	2,50	2,0	5,30	10,0	7,00	40	PHG DA-T10-1390-...
	140	1 400	2,50	2,0	5,30	10,0	7,00	40	PHG DA-T10-1400-...
	142	1 420	2,50	2,0	5,30	10,0	7,00	40	PHG DA-T10-1420-...
	144	1 440	2,50	2,0	5,30	10,0	7,00	40	PHG DA-T10-1440-...
	145	1 450	2,50	2,0	5,30	10,0	7,00	40	PHG DA-T10-1450-...
	146	1 460	2,50	2,0	5,30	10,0	7,00	40	PHG DA-T10-1460-...
	148	1 480	2,50	2,0	5,30	10,0	7,00	40	PHG DA-T10-1480-...
	150	1 500	2,50	2,0	5,30	10,0	7,00	40	PHG DA-T10-1500-...
	152	1 520	2,50	2,0	5,30	10,0	7,00	40	PHG DA-T10-1520-...
	156	1 560	2,50	2,0	5,30	10,0	7,00	40	PHG DA-T10-1560-...
	160	1 600	2,50	2,0	5,30	10,0	7,00	40	PHG DA-T10-1600-...
	161	1 610	2,50	2,0	5,30	10,0	7,00	40	PHG DA-T10-1610-...
	164	1 640	2,50	2,0	5,30	10,0	7,00	40	PHG DA-T10-1640-...
	164	1 640	2,50	2,0	5,30	10,0	7,00	40	PHG DA-T10-1640-...
	169	1 690	2,50	2,0	5,30	10,0	7,00	40	PHG DA-T10-1690-...
	170	1 700	2,50	2,0	5,30	10,0	7,00	40	PHG DA-T10-1700-...
	175	1 750	2,50	2,0	5,30	10,0	7,00	40	PHG DA-T10-1750-...
	178	1 780	2,50	2,0	5,30	10,0	7,00	40	PHG DA-T10-1780-...
	180	1 800	2,50	2,0	5,30	10,0	7,00	40	PHG DA-T10-1800-...
	186	1 860	2,50	2,0	5,30	10,0	7,00	40	PHG DA-T10-1860-...
	188	1 880	2,50	2,0	5,30	10,0	7,00	40	PHG DA-T10-1880-...
	196	1 960	2,50	2,0	5,30	10,0	7,00	40	PHG DA-T10-1960-...
	198	1 980	2,50	2,0	5,30	10,0	7,00	40	PHG DA-T10-1980-...
202	2 020	2,50	2,0	5,30	10,0	7,00	40	PHG DA-T10-2020-...	
208	2 080	2,50	2,0	5,30	10,0	7,00	40	PHG DA-T10-2080-...	
209	2 090	2,50	2,0	5,30	10,0	7,00	40	PHG DA-T10-2090-...	
210	2 100	2,50	2,0	5,30	10,0	7,00	40	PHG DA-T10-2100-...	
220	2 200	2,50	2,0	5,30	10,0	7,00	40	PHG DA-T10-2200-...	
225	2 250	2,50	2,0	5,30	10,0	7,00	40	PHG DA-T10-2250-...	
227	2 270	2,50	2,0	5,30	10,0	7,00	40	PHG DA-T10-2270-...	
230	2 300	2,50	2,0	5,30	10,0	7,00	40	PHG DA-T10-2300-...	
234	2 340	2,50	2,0	5,30	10,0	7,00	40	PHG DA-T10-2340-...	
236	2 360	2,50	2,0	5,30	10,0	7,00	40	PHG DA-T10-2360-...	
238	2 380	2,50	2,0	5,30	10,0	7,00	40	PHG DA-T10-2380-...	
243	2 430	2,50	2,0	5,30	10,0	7,00	40	PHG DA-T10-2430-...	
248	2 480	2,50	2,0	5,30	10,0	7,00	40	PHG DA-T10-2480-...	
250	2 500	2,50	2,0	5,30	10,0	7,00	40	PHG DA-T10-2500-...	
254	2 540	2,50	2,0	5,30	10,0	7,00	40	PHG DA-T10-2540-...	
259	2 590	2,50	2,0	5,30	10,0	7,00	40	PHG DA-T10-2590-...	
260	2 600	2,50	2,0	5,30	10,0	7,00	40	PHG DA-T10-2600-...	
261	2 610	2,50	2,0	5,30	10,0	7,00	40	PHG DA-T10-2610-...	
265	2 650	2,50	2,0	5,30	10,0	7,00	40	PHG DA-T10-2650-...	
280	2 800	2,50	2,0	5,30	10,0	7,00	40	PHG DA-T10-2800-...	

Non-standard lengths may also be available.

To complete designation add belt width in mm.

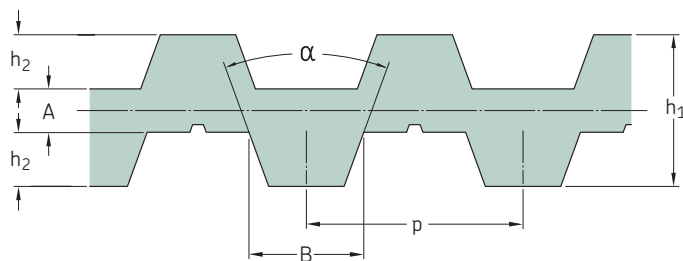
Double-sided metric belts are available in symmetric (DA) and asymmetric (DB) tooth profiles. Symmetric will be supplied unless otherwise specified.

Full sleeves are available in various widths. Please contact your SKF Authorized Distributor.

For polyurethane version, add "PU" to the profile type. For example: PHG T5PU-1000...

SKF Double-sided Metric Timing Belts

D-T10 | D-T20



Section	Number of teeth per side	Dimensions Pitch length	Dimensions						Designation
			h_2	A	B	p	h_1	α	
–	–	mm						°	–
D-T10	288	2 880	2,50	2,0	5,30	10,0	7,00	40	PHG DA-T10-2880-...
	300	3 000	2,50	2,0	5,30	10,0	7,00	40	PHG DA-T10-3000-...
D-T20	85	1 700	5,00	3,0	10,15	20,0	13,00	40	PHG DA-T20-1700-...
	89	1 780	5,00	3,0	10,15	20,0	13,00	40	PHG DA-T20-1780-...
	94	1 880	5,00	3,0	10,15	20,0	13,00	40	PHG DA-T20-1880-...
	102	2 040	5,00	3,0	10,15	20,0	13,00	40	PHG DA-T20-2040-...
	110	2 200	5,00	3,0	10,15	20,0	13,00	40	PHG DA-T20-2200-...
	112	2 240	5,00	3,0	10,15	20,0	13,00	40	PHG DA-T20-2240-...
	130	2 600	5,00	3,0	10,15	20,0	13,00	40	PHG DA-T20-2600-...
	136	2 720	5,00	3,0	10,15	20,0	13,00	40	PHG DA-T20-2720-...
	137	2 740	5,00	3,0	10,15	20,0	13,00	40	PHG DA-T20-2740-...
	138	2 760	5,00	3,0	10,15	20,0	13,00	40	PHG DA-T20-2760-...
	155	3 100	5,00	3,0	10,15	20,0	13,00	40	PHG DA-T20-3100-...
	181	3 620	5,00	3,0	10,15	20,0	13,00	40	PHG DA-T20-3620-...
	238	4 760	5,00	3,0	10,15	20,0	13,00	40	PHG DA-T20-4760-...
	250	5 000	5,00	3,0	10,15	20,0	13,00	40	PHG DA-T20-5000-...

Non-standard lengths may also be available.

To complete designation add belt width in mm.

Double-sided metric belts are available in symmetric (DA) and asymmetric (DB) tooth profiles. Symmetric will be supplied unless otherwise specified.

















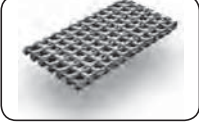

Full sleeves are available in various widths. Please contact your SKF Authorized Distributor.

For polyurethane version, add "PU" to the profile type. For example: PHG T5PU-1000...

Page intentionally left blank

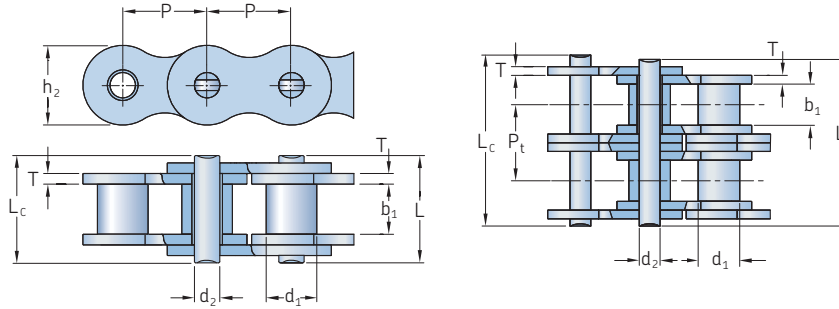


Chains

	Roller chains	70		Double pitch chains	82
	Roller chain attachments A-1, K-1.	72		Double pitch chains Transmission attachments.	83
	Roller chain attachments SA-1/M1, SK-1/M1.	73		Conveyor chains C series	84
	Roller chain attachments WA-1, WA-2, WK-1, WK-2	74		Conveyor chain C series attachments.	85
	Roller chain attachments WSA-1, WSA-2, WSK-1, WSK-2	75		Conveyor chains M series.	87
	SKF Xtra Strength Chains.	76		Conveyor chains Lumber mill series, 3939 series	88
	SKF Xtra Corrosion Resistant Chains	78		Silent chains	89
	Roller chains Side bow, SKF Xtra Performance SLR Chains	79		Leaf chains.	90
	Oil field chains	80			
	Straight side plate chains.	81			

Roller chains

ANSI

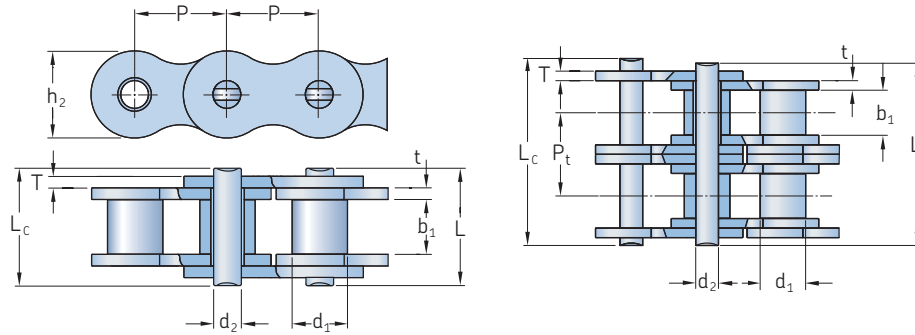


ANSI Chain number	BS/ISO Chain number	Dimensions					Pin length		Pin length cotted L _c Max.	Inner plate height h ₂ Max.	Plate thickness T Max.	Transverse pitch P _t	Ultimate tensile strength Q Min.	Average tensile strength Q ₀	Mass per meter	Designation
		Pitch P	Roller diameter d ₁ Max.	Width between inner plates b ₁ Min.	Pin diameter d ₂ Max.	L Max.	L _c Max.									
mm																
15-1*	03C*	4,76	2,48	2,38	1,62	6,10	6,90	-	4,30	0,60	-	1,8	2,0	0,08	PHC 15-1...	
25-1*	04C-1*	6,35	3,30	3,18	2,31	7,90	8,40	-	6,00	0,80	-	3,5	4,6	0,15	PHC 25-1...	
35-1*	06C-1*	9,53	5,08	4,77	3,58	12,40	13,17	-	9,00	1,30	-	7,9	10,8	0,33	PHC 35-1...	
41-1	085-1	12,70	7,77	6,25	3,58	13,75	15,00	-	9,91	1,30	-	6,7	12,6	0,41	PHC 41-1...	
40-1	08A-1	12,70	7,95	7,85	3,96	16,60	17,80	-	12,00	1,50	-	14,1	17,5	0,62	PHC 40-1...	
50-1	10A-1	15,88	10,16	9,40	5,08	20,70	22,20	23,3	15,09	2,03	-	22,2	29,4	1,02	PHC 50-1...	
60-1	12A-1	19,05	11,91	12,57	5,94	25,90	27,70	28,3	18,00	2,42	-	31,8	41,5	1,50	PHC 60-1...	
80-1	16A-1	25,40	15,88	15,75	7,92	32,70	35,00	36,5	24,00	3,25	-	56,7	69,4	2,60	PHC 80-1...	
100-1	20A-1	31,75	19,05	18,90	9,53	40,40	44,70	44,7	30,00	4,00	-	88,5	109,2	3,91	PHC 100-1...	
120-1	24A-1	38,10	22,23	25,22	11,10	50,30	54,30	54,3	35,70	4,80	-	127,0	156,3	5,62	PHC 120-1...	
140-1	28A-1	44,45	25,40	25,22	12,70	54,40	59,00	59,0	41,00	5,60	-	172,4	212,0	7,50	PHC 140-1...	
160-1	32A-1	50,80	28,58	31,55	14,27	64,80	69,60	69,6	47,80	6,40	-	226,8	278,9	10,10	PHC 160-1...	
180-1	36A-1	57,15	35,71	35,48	17,46	72,80	78,60	78,6	53,60	7,20	-	280,2	341,8	13,45	PHC 180-1...	
200-1	40A-1	63,50	39,68	37,85	19,85	80,30	87,20	87,2	60,00	8,00	-	353,8	431,6	16,15	PHC 200-1...	
240-1	48A-1	76,20	47,63	47,35	23,81	95,50	103,00	103,0	72,39	9,50	-	510,3	622,5	23,20	PHC 240-1...	
25-2*	04C-2*	6,35	3,30	3,18	2,31	14,50	15,00	-	6,00	0,80	6,40	7,0	8,6	0,28	PHC 25-2...	
35-2*	06C-2*	9,53	5,08	4,77	3,58	22,50	23,30	-	9,00	1,30	10,13	15,8	19,7	0,63	PHC 35-2...	
41-2	085-2	12,70	7,77	6,25	3,58	25,70	26,90	-	9,91	1,30	11,95	13,3	16,9	0,81	PHC 41-2...	
40-2	08A-2	12,70	7,95	7,85	3,96	31,00	32,20	-	12,00	1,50	14,38	28,2	35,9	1,12	PHC 40-2...	
50-2	10A-2	15,88	10,16	9,40	5,08	38,90	40,40	41,2	15,09	2,03	18,11	44,4	58,1	2,00	PHC 50-2...	
60-2	12A-2	19,05	11,91	12,57	5,94	48,80	50,50	51,1	18,00	2,42	22,78	63,6	82,1	2,92	PHC 60-2...	
80-2	16A-2	25,40	15,88	15,75	7,92	62,70	64,30	65,8	24,00	3,25	29,29	113,4	141,8	5,15	PHC 80-2...	
100-2	20A-2	31,75	19,05	18,90	9,53	76,40	80,50	80,5	30,00	4,00	35,76	177,0	219,4	7,80	PHC 100-2...	
120-2	24A-2	38,10	22,23	25,22	11,10	95,80	99,70	99,7	35,70	4,80	45,44	254,0	314,9	11,70	PHC 120-2...	
140-2	28A-2	44,45	25,40	25,22	12,70	103,30	107,90	107,9	41,00	5,60	48,87	344,8	427,5	15,14	PHC 140-2...	
160-2	32A-2	50,80	28,58	31,55	14,27	123,30	128,10	128,1	47,80	6,40	58,55	453,6	562,4	20,14	PHC 160-2...	
180-2	36A-2	57,15	35,71	35,48	17,46	138,60	144,40	144,4	53,60	7,20	65,84	560,5	695,0	29,22	PHC 180-2...	
200-2	40A-2	63,50	39,68	37,85	19,85	151,90	158,80	158,8	60,00	8,00	71,55	707,6	877,4	32,24	PHC 200-2...	
240-2	48A-2	76,20	47,63	47,35	23,81	183,40	190,80	190,8	72,39	9,50	87,83	1 020,6	1 255,3	45,23	PHC 240-2...	
25-3*	04C-3*	6,35	3,30	3,18	2,31	21,00	21,50	-	6,00	0,80	6,40	10,5	12,6	0,44	PHC 25-3...	
35-3*	06C-3*	9,53	5,08	4,77	3,58	32,70	33,50	-	9,00	1,30	10,13	23,7	28,6	1,05	PHC 35-3...	
40-3	08A-3	12,70	7,95	7,85	3,96	45,40	46,60	-	12,00	1,50	14,38	42,3	50,0	1,90	PHC 40-3...	
50-3	10A-3	15,88	10,16	9,40	5,08	57,00	58,50	59,3	15,09	2,03	18,11	66,6	77,8	3,09	PHC 50-3...	
60-3	12A-3	19,05	11,91	12,57	5,94	71,50	73,30	73,9	18,00	2,42	22,78	95,4	111,1	4,54	PHC 60-3...	
80-3	16A-3	25,40	15,88	15,75	7,92	91,70	93,60	95,1	24,00	3,25	29,29	170,1	198,4	7,89	PHC 80-3...	
100-3	20A-3	31,75	19,05	18,90	9,53	112,20	116,30	116,3	30,00	4,00	35,76	265,5	309,6	11,77	PHC 100-3...	
120-3	24A-3	38,10	22,23	25,22	11,10	141,40	145,20	145,2	35,70	4,80	45,44	381,0	437,2	17,53	PHC 120-3...	
140-3	28A-3	44,45	25,40	25,22	12,70	152,20	156,80	156,8	41,00	5,60	48,87	517,2	593,3	22,20	PHC 140-3...	
160-3	32A-3	50,80	28,58	31,55	14,27	181,80	186,60	186,6	47,80	6,40	58,55	680,4	780,6	30,02	PHC 160-3...	
180-3	36A-3	57,15	35,71	35,48	17,46	204,40	210,20	210,2	53,60	7,20	65,84	840,7	983,6	38,22	PHC 180-3...	
200-3	40A-3	63,50	39,68	37,85	19,85	223,50	230,40	230,4	60,00	8,00	71,55	1 061,4	1 217,8	49,03	PHC 200-3...	
240-3	48A-3	76,20	47,63	47,35	23,81	271,30	278,60	278,6	72,39	9,50	87,83	1 530,9	1 756,5	71,60	PHC 240-3...	

* Bushing chain: d₁ indicates external diameter of bushing.
 Standard lengths are 10 ft. and 5 m. To complete designation, add chain length. For example, a 10 ft. box of 140-1 is PHC 140-1X10FT.
 One connecting link is contained per chain. For additional links, add "C/L" for connecting and "O/L" for "offset" to the designation.
 For cotted, add a "C" after the number of strands. For example, 140-1 with a cotted pin is designated PHC 140-1C...

Roller chains

BS/ISO



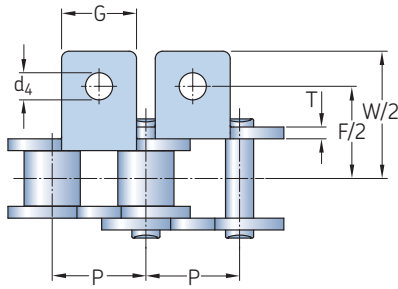
BS/ISO Chain number	Dimensions						Pin length L Max.	Pin length Lc Max.	Inner plate height h2 Max.	Plate thickness T Max.	Transverse pitch Pt	Ultimate tensile strength Q Min.	Average tensile strength Q0	Mass per meter	Designation
	Pitch P	Roller diameter d1 Max.	Width between inner plates b1 Min.	Pin diameter d2 Max.	Pin length L Max.	Lc Max.									
mm															
04B-1	6,00	4,00	2,80	1,85	6,80	7,8	5,00	0,60	0,60	-	3,0	3,2	0,11	PHC 04B-1...	
05B-1	8,00	5,00	3,00	2,31	8,20	8,9	7,10	0,80	0,80	-	5,0	5,9	0,20	PHC 05B-1...	
06B-1*	9,53	6,35	5,72	3,28	13,15	14,1	8,20	1,30	1,30	-	9,0	10,4	0,41	PHC 06B-1...	
08B-1	12,70	8,51	7,75	4,45	16,70	18,2	11,80	1,60	1,60	-	18,0	19,4	0,69	PHC 08B-1...	
10B-1	15,88	10,16	9,65	5,08	19,50	20,9	14,70	1,70	1,70	-	22,4	27,5	0,93	PHC 10B-1...	
12B-1	19,05	12,07	11,68	5,72	22,50	24,2	16,00	1,85	1,85	-	29,0	32,2	1,15	PHC 12B-1...	
16B-1	25,40	15,88	17,02	8,28	36,10	37,4	21,00	4,15	3,10	-	60,0	72,8	2,71	PHC 16B-1...	
20B-1	31,75	19,05	19,56	10,19	41,30	45,0	26,40	4,50	3,50	-	95,0	106,7	3,70	PHC 20B-1...	
24B-1	38,10	25,40	25,40	14,63	53,40	57,8	33,20	6,00	4,80	-	160,0	178,0	7,10	PHC 24B-1...	
28B-1	44,45	27,94	30,99	15,90	65,10	69,5	36,70	7,50	6,00	-	200,0	222,0	8,50	PHC 28B-1...	
32B-1	50,80	29,21	30,99	17,81	66,00	71,0	42,00	7,00	6,00	-	250,0	277,5	10,25	PHC 32B-1...	
40B-1	63,50	39,37	38,10	22,89	82,20	89,2	52,96	8,50	8,00	-	355,0	394,0	16,35	PHC 40B-1...	
48B-1	76,20	48,26	45,72	29,24	99,10	107,0	63,80	12,00	10,00	-	560,0	621,6	25,00	PHC 48B-1...	
56B-1	88,90	53,98	53,34	34,32	114,60	123,0	77,80	13,50	12,00	-	850,0	940,0	35,78	PHC 56B-1...	
64B-1	101,60	63,50	60,96	39,40	130,00	138,5	90,17	15,00	13,00	-	1 120,0	1 240,0	46,00	PHC 64B-1...	
72B-1	114,30	72,39	68,58	44,48	147,40	156,4	103,60	17,00	15,00	-	1 400,0	1 550,0	60,80	PHC 72B-1...	
05B-2	8,00	5,00	3,00	2,31	13,90	14,5	7,10	0,80	0,80	5,64	7,8	10,2	0,33	PHC 05B-2...	
06B-2*	9,53	6,35	5,72	3,28	23,40	24,4	8,20	1,30	1,30	10,24	16,9	18,7	0,77	PHC 06B-2...	
08B-2	12,70	8,51	7,75	4,45	31,20	32,2	11,80	1,60	1,60	13,92	32,0	38,7	1,34	PHC 08B-2...	
10B-2	15,88	10,16	9,65	5,08	36,10	37,5	14,70	1,70	1,70	16,59	44,5	56,2	1,84	PHC 10B-2...	
12B-2	19,05	12,07	11,68	5,72	42,00	43,6	16,00	1,85	1,85	19,46	57,8	66,1	2,31	PHC 12B-2...	
16B-2	25,40	15,88	17,02	8,28	68,00	69,3	21,00	4,15	3,10	31,88	106,0	133,0	5,42	PHC 16B-2...	
20B-2	31,75	19,05	19,56	10,19	77,80	81,5	26,40	4,50	3,50	36,45	170,0	211,2	7,20	PHC 20B-2...	
24B-2	38,10	25,40	25,40	14,63	101,70	106,2	33,20	6,00	4,80	48,36	280,0	319,2	13,40	PHC 24B-2...	
28B-2	44,45	27,94	30,99	15,90	124,60	129,1	36,70	7,50	6,00	59,56	360,0	406,8	16,60	PHC 28B-2...	
32B-2	50,80	29,21	30,99	17,81	124,60	129,6	42,00	7,00	6,00	58,55	450,0	508,5	21,00	PHC 32B-2...	
40B-2	63,50	39,37	38,10	22,89	154,50	161,5	52,96	8,50	8,00	72,29	630,0	711,9	32,00	PHC 40B-2...	
48B-2	76,20	48,26	45,72	29,24	190,40	198,2	63,80	12,00	10,00	91,21	1 000,0	1 130,0	50,00	PHC 48B-2...	
56B-2	88,90	53,98	53,34	34,32	221,20	229,6	77,80	13,50	12,00	106,60	1 600,0	1 760,0	71,48	PHC 56B-2...	
64B-2	101,60	63,50	60,96	39,40	249,90	258,4	90,17	15,00	13,00	119,89	2 000,0	2 200,0	91,00	PHC 64B-2...	
72B-2	114,30	72,39	68,58	44,48	283,70	292,7	103,60	17,00	15,00	136,27	2 500,0	2 750,0	120,40	PHC 72B-2...	
05B-3	8,00	5,00	3,00	2,31	19,50	20,2	7,10	0,80	0,80	5,64	11,1	13,8	0,48	PHC 05B-3...	
06B-3*	9,53	6,35	5,72	3,28	33,50	34,6	8,20	1,30	1,30	10,24	24,9	30,1	1,16	PHC 06B-3...	
08B-3	12,70	8,51	7,75	4,45	45,10	46,1	11,80	1,60	1,60	13,92	47,5	57,8	2,03	PHC 08B-3...	
10B-3	15,88	10,16	9,65	5,08	52,70	54,1	14,70	1,70	1,70	16,59	66,7	84,5	2,77	PHC 10B-3...	
12B-3	19,05	12,07	11,68	5,72	61,50	63,1	16,00	1,85	1,85	19,46	86,7	101,8	3,46	PHC 12B-3...	
16B-3	25,40	15,88	17,02	8,28	99,80	101,2	21,00	4,15	3,10	31,88	160,0	203,7	8,13	PHC 16B-3...	
20B-3	31,75	19,05	19,56	10,19	114,20	117,9	26,40	4,50	3,50	36,45	250,0	290,0	10,82	PHC 20B-3...	
24B-3	38,10	25,40	25,40	14,63	150,10	154,6	33,20	6,00	4,80	48,36	425,0	493,0	20,10	PHC 24B-3...	
28B-3	44,45	27,94	30,99	15,90	184,20	188,7	36,70	7,50	6,00	59,56	530,0	609,5	24,92	PHC 28B-3...	
32B-3	50,80	29,21	30,99	17,81	183,20	188,2	42,00	7,00	6,00	58,55	670,0	770,5	31,56	PHC 32B-3...	
40B-3	63,50	39,37	38,10	22,89	226,80	233,8	52,96	8,50	8,00	72,29	950,0	1 092,5	48,10	PHC 40B-3...	
48B-3	76,20	48,26	45,72	29,24	281,60	289,4	63,80	12,00	10,00	91,21	1 500,0	1 710,0	75,00	PHC 48B-3...	
56B-3	88,90	53,98	53,34	34,32	327,80	336,2	77,80	13,50	12,00	106,60	2 240,0	2 240,0	107,18	PHC 56B-3...	
64B-3	101,60	63,50	60,96	39,40	369,80	378,3	90,17	15,00	13,00	119,89	3 000,0	3 300,0	136,00	PHC 64B-3...	
72B-3	114,30	72,39	68,58	44,48	420,00	429,0	103,60	17,00	15,00	136,27	3 750,0	4 125,0	180,00	PHC 72B-3...	

* Straight side plates.

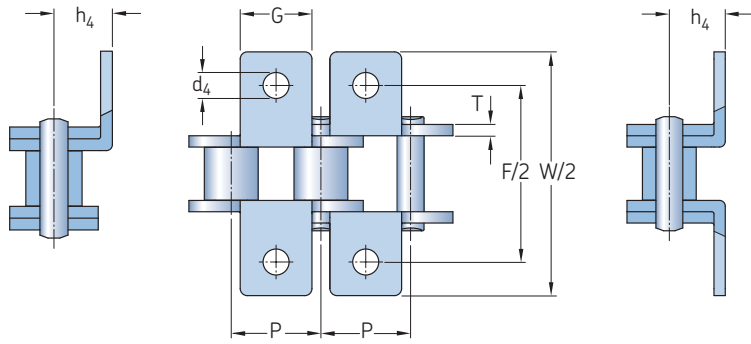
Standard lengths are 10 ft. and 5 m. To complete designation, add chain length. For example, a 5 m box of 08B-1 is PHC 08B-1X5MTR. One connecting link is contained per chain. For additional links, add "C/L" for "connecting" and "O/L" for "offset" to the designation.

Roller chain attachments

A-1 | K-1



A-1



K-1

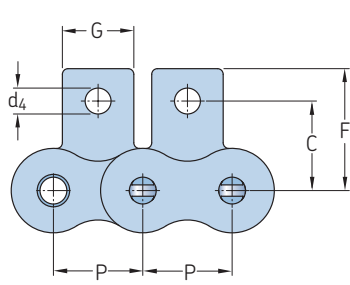
ANSI Chain number	BS/ISO Chain number	Dimensions							Designation
		P	G	F	W	T	h ₄	d ₄	
-		mm							-
35-1	06C-1	9,53	7,9	19,00	28,6	1,30	6,35	3,4	PHC 35-1...
40-1	08A-1	12,70	9,5	25,40	35,2	1,50	7,90	3,4	PHC 40-1...
41-1	085-1	12,70	9,5	24,00	33,4	1,30	6,90	3,6	PHC 41-1...
50-1	10A-1	15,88	12,7	31,75	46,2	2,03	10,30	5,5	PHC 50-1...
60-1	12A-1	19,05	15,9	38,10	55,6	2,42	11,90	5,5	PHC 60-1...
80-1	16A-1	25,40	19,1	50,80	64,8	3,25	15,90	6,8	PHC 80-1...
100-1	20A-1	31,75	25,4	63,50	87,3	4,00	19,80	9,2	PHC 100-1...
120-1	24A-1	38,10	28,6	76,20	108,5	4,80	23,00	9,8	PHC 120-1...
140-1	28A-1	44,45	34,9	88,90	123,0	5,60	28,60	11,4	PHC 140-1...
160-1	32A-1	50,80	38,1	101,60	142,8	6,40	31,75	13,1	PHC 160-1...
200-1	40A-1	63,50	50,8	127,00	179,0	8,00	42,88	16,3	PHC 200-1...
-	06B-1*	9,53	8,0	19,04	27,0	1,30	6,50	3,5	PHC 06B-1...
-	08B-1	12,70	9,5	25,40	36,4	1,60	8,90	4,5	PHC 08B-1...
-	10B-1	15,88	14,3	31,75	44,6	1,70	10,31	5,3	PHC 10B-1...
-	12B-1	19,05	16,0	38,10	52,4	1,85	13,46	6,4	PHC 12B-1...
-	16B-1	25,40	19,1	50,80	72,6	3,10	15,88	6,4	PHC 16B-1...
-	20B-1	31,75	35,0	63,50	100,5	3,50	19,80	9,0	PHC 20B-1...
-	24B-1	38,10	30,0	76,20	108,4	4,80	26,67	10,5	PHC 24B-1...
-	28B-1	44,45	35,0	88,90	123,0	6,00	28,58	13,1	PHC 28B-1...
-	32B-1	50,80	38,1	101,60	142,8	6,00	31,75	13,1	PHC 32B-1...

* Straight side plates

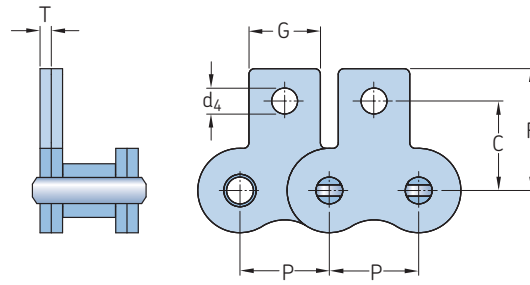
To complete designation, add attachment spacing and type followed by chain length. For example, PHC 40-1-L2A1X10FT (ANSI 40-1 with A-1 attachment on every second link, 10 ft. length). Note: Also available in stainless steel. When ordering, add SS after the chain number. For example, PHC 40-1SS-L1A1X10FT.

Roller chain attachments

SA-1/M1 | SK-1/M1



SA-1/M1



SK-1/M1

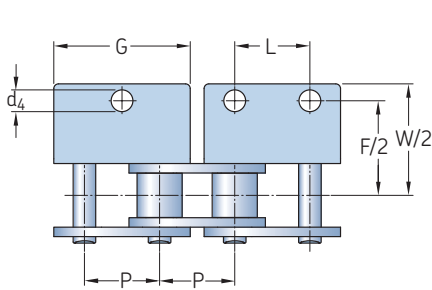
ANSI Chain number	BS/ISO Chain number	Dimensions						Designation
		P	G	C	F	T	d ₄	
-		mm						-
35-1	06C-1	9,53	7,9	9,50	14,55	1,30	3,4	PHC 35-1...
40-1	08A-1	12,70	9,5	12,70	19,05	1,50	3,4	PHC 40-1...
41-1	08S-1	12,70	9,5	11,85	16,55	1,30	3,6	PHC 41-1...
50-1	10A-1	15,88	12,7	15,90	25,25	2,03	5,5	PHC 50-1...
60-1	12A-1	19,05	15,9	18,30	29,33	2,42	5,5	PHC 60-1...
80-1	16A-1	25,40	19,1	24,60	34,70	3,25	6,8	PHC 80-1...
100-1	20A-1	31,75	25,4	31,80	43,30	4,00	9,2	PHC 100-1...
120-1	24A-1	38,10	28,6	36,50	51,60	4,80	9,8	PHC 120-1...
140-1	28A-1	44,45	34,9	44,50	62,00	5,60	11,4	PHC 140-1...
160-1	32A-1	50,80	38,1	50,80	69,85	6,40	13,1	PHC 160-1...
200-1	40A-1	63,50	50,8	63,50	88,90	8,00	16,3	PHC 200-1...
-	06B-1*	9,53	8,0	9,52	13,50	1,30	3,5	PHC 06B-1...
-	08B-1	12,70	9,5	13,35	18,90	1,60	4,3	PHC 08B-1...
-	10B-1	15,88	14,3	16,50	22,95	1,70	5,3	PHC 10B-1...
-	12B-1	19,05	16,0	21,45	28,60	1,85	6,4	PHC 12B-1...
-	16B-1	25,40	19,1	23,15	34,00	3,10	6,4	PHC 16B-1...
-	20B-1	31,75	35,0	30,50	45,70	3,50	9,0	PHC 20B-1...

* Straight side plates

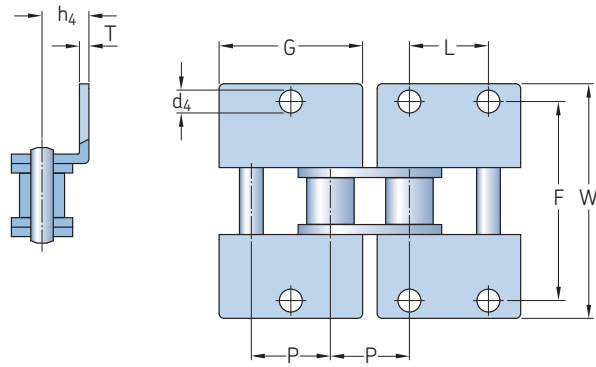
To complete designation, add attachment spacing and type followed by chain length. For example, PHC 80-1-L1SK1X10FT (ANSI 80-1 with SK-1 attachment on every link, 10 ft. length). Note: Also available in stainless steel. When ordering, add SS after the chain number. For example, PHC 80-1SS-L1SK1X10FT.

Roller chain attachments

WA-1 · WA-2 | WK-1 · WK-2



WA-1,WA-2



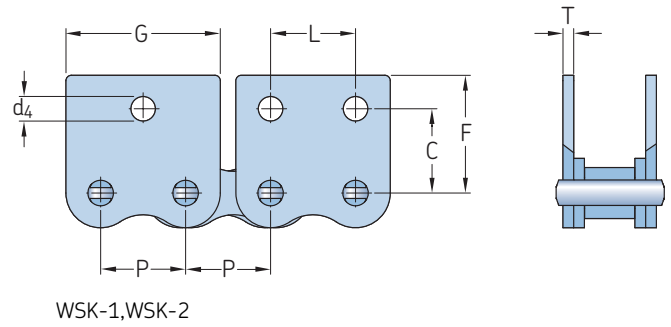
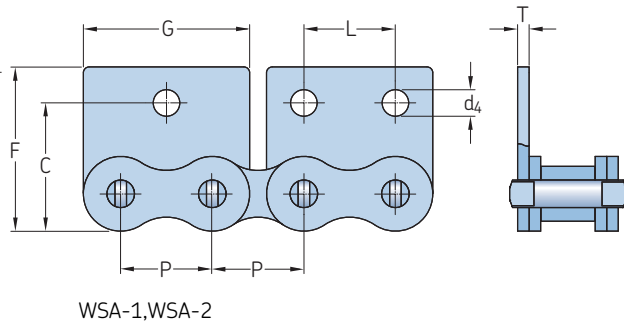
WK-1,WK-2

ANSI Chain number	BS/ISO Chain number	Dimensions								Designation
		P	G	L	F	W	T	h_4	d_4	
-		mm								-
35-1	06C-1	9,53	17,32	9,53	19,00	28,6	1,30	6,35	2,80	PHC 35-1...
40-1	08A-1	12,70	23,00	12,70	25,40	35,6	1,50	7,90	3,40	PHC 40-1...
41-1	085-1	12,70	22,30	12,70	24,00	35,0	1,30	7,20	4,85	PHC 41-1...
50-1	10A-1	15,88	28,80	15,88	31,75	46,8	2,03	10,30	5,50	PHC 50-1...
60-1	12A-1	19,05	34,65	19,05	38,10	56,4	2,42	11,90	5,50	PHC 60-1...
80-1	16A-1	25,40	45,90	25,40	50,80	73,2	3,25	15,90	6,80	PHC 80-1...
100-1	20A-1	31,75	57,65	31,75	63,50	89,8	4,00	19,80	9,20	PHC 100-1...
120-1	24A-1	38,10	69,30	38,10	76,20	108,8	4,80	23,00	9,80	PHC 120-1...
140-1	28A-1	44,45	80,45	44,45	88,90	123,0	5,60	28,60	11,40	PHC 140-1...
160-1	32A-1	50,80	92,00	50,80	101,60	142,8	6,40	31,75	13,10	PHC 160-1...
200-1	40A-1	63,50	115,50	63,50	127,00	179,0	8,00	42,88	16,30	PHC 200-1...
-	08B-1	12,70	24,00	12,70	25,40	36,4	1,60	8,90	4,30	PHC 08B-1...
-	10B-1	15,88	29,58	15,88	31,80	44,6	1,70	10,31	5,30	PHC 10B-1...
-	12B-1	19,05	34,05	19,05	38,10	52,0	1,85	13,46	6,40	PHC 12B-1...
-	16B-1	25,40	46,40	25,40	50,80	72,6	3,10	15,88	6,40	PHC 16B-1...
-	20B-1	31,75	58,10	31,75	63,00	100,5	3,50	19,80	9,00	PHC 20B-1...
-	24B-1	38,10	71,30	38,10	76,20	108,4	4,80	26,67	10,50	PHC 24B-1...
-	28B-1	44,45	81,10	44,45	88,90	123,0	6,00	28,58	13,10	PHC 28B-1...
-	32B-1	50,80	92,80	50,80	101,60	142,8	6,00	31,75	13,10	PHC 32B-1...

To complete designation, add attachment spacing and type followed by chain length. For example, PHC 80-1-L2WA2X10FT (ANSI 80-1 with WA-2 attachment on every second link, 10 ft. length). Note: Also available in stainless steel. When ordering, add SS after the chain number. For example, PHC 80-1SS-L2WA2X10FT.

Roller chain attachments

WSA-1 · WSA-2 | WSK-1 · WSK-2

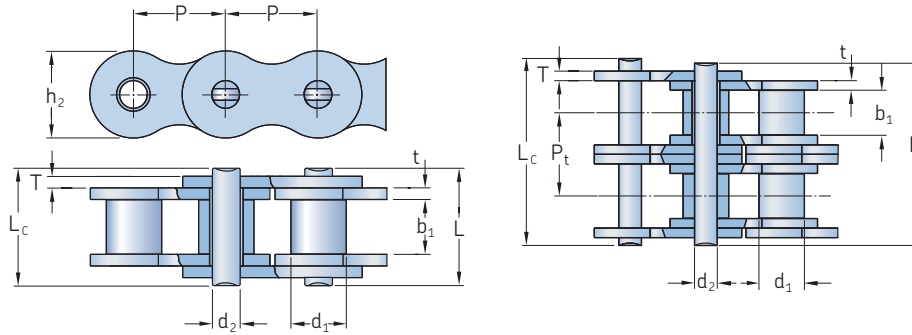


ANSI Chain number	BS/ISO Chain number	Dimensions							Designation
		P	G	L	C	F	T	d ₄	
		mm							
35-1	06C-1	9,53	17,32	9,53	9,50	14,55	1,30	2,8	PHC 35-1...
40-1	08A-1	12,70	23,00	12,70	12,70	17,40	1,50	3,4	PHC 40-1...
41-1	08S-1	12,70	21,20	12,70	11,85	16,55	1,30	3,6	PHC 41-1...
50-1	10A-1	15,88	28,80	15,88	15,90	23,05	2,03	5,5	PHC 50-1...
60-1	12A-1	19,05	34,65	19,05	18,30	26,86	2,42	5,5	PHC 60-1...
80-1	16A-1	25,40	45,90	25,40	24,60	35,45	3,25	6,8	PHC 80-1...
100-1	20A-1	31,75	57,65	31,75	31,80	44,00	4,00	9,2	PHC 100-1...
120-1	24A-1	38,10	69,30	38,10	36,50	51,60	4,80	9,8	PHC 120-1...
140-1	28A-1	44,45	80,45	44,45	44,50	62,00	5,60	11,4	PHC 140-1...
160-1	32A-1	50,80	92,00	50,80	50,80	69,85	6,40	13,1	PHC 160-1...
200-1	40A-1	63,50	115,50	63,50	63,50	88,90	8,00	16,3	PHC 200-1...
-	08B-1	12,70	23,30	12,70	13,35	18,90	1,60	4,3	PHC 08B-1...
-	10B-1	15,88	29,58	15,88	16,50	22,95	1,70	5,3	PHC 10B-1...
-	12B-1	19,05	34,05	19,05	21,45	28,60	1,85	6,4	PHC 12B-1...
-	16B-1	25,40	46,40	25,40	23,15	34,00	3,10	6,4	PHC 16B-1...
-	20B-1	31,75	58,10	31,75	30,50	45,70	3,50	9,0	PHC 20B-1...

To complete designation, add attachment spacing and type followed by chain length. For example, PHC 80-1-L4WSA1X10FT (ANSI 80-1 with WSA-1 attachment on every fourth link, 10 ft. length). Note: Also available in stainless steel. When ordering, add SS after the chain number. For example, PHC 80-1SS L4WSA1X10FT.

SKF Xtra Strength Chains

H Chains | SH Chains | SPH Chains



Xtra Strength type	ANSI Chain number	Dimensions					Pin length L Max.	Pin length cotted Lc Max.	Inner plate height h2 Max.	Plate thickness T Max.	Transverse pitch Pt	Ultimate tensile strength Q Min.	Average tensile strength Q0	Mass per meter	Designation	
		Pitch P	Roller diameter d1 Max.	Width between inner plates b1 Min.	Pin diameter d2 Max.	Pin length Lc Max.										
mm																
H	35H-1*	9,53	5,08	4,77	3,58	13,3	14,3	-	9,00	1,50	-	7,9	10,8	0,41	PHC 35H-1...	
	40H-1	12,70	7,95	7,85	3,96	18,8	19,9	-	12,00	2,03	-	14,1	19,1	0,82	PHC 40H-1...	
	50H-1	15,88	10,16	9,40	5,08	22,1	23,4	24,4	15,09	2,42	-	22,2	30,2	1,25	PHC 50H-1...	
	60H-1	19,05	11,91	12,57	5,94	29,2	31,0	31,6	18,00	3,25	-	31,8	42,7	1,87	PHC 60H-1...	
	80H-1	25,40	15,88	15,75	7,92	36,2	37,7	39,4	24,00	4,00	-	56,7	71,4	3,10	PHC 80H-1...	
	100H-1	31,75	19,05	18,90	9,53	43,6	46,9	46,9	30,00	4,80	-	88,5	112,4	4,52	PHC 100H-1...	
	120H-1	38,10	22,23	25,22	11,10	53,5	57,5	57,5	35,70	5,60	-	127,0	160,9	6,60	PHC 120H-1...	
	140H-1	44,45	25,40	25,22	12,70	57,6	62,2	62,2	41,00	6,40	-	172,4	217,3	8,30	PHC 140H-1...	
	160H-1	50,80	28,58	31,55	14,27	68,2	73,0	73,0	47,80	7,20	-	226,8	285,8	10,30	PHC 160H-1...	
	180H-1	57,15	35,71	35,48	17,46	75,9	81,6	-	53,60	8,00	-	281,0	341,8	14,83	PHC 180H-1...	
	200H-1	63,50	39,68	37,85	19,85	86,6	93,5	93,5	60,00	9,50	-	353,8	444,5	19,16	PHC 200H-1...	
	240H-1	76,20	47,63	47,35	23,81	109,6	115,9	-	72,30	12,70	-	510,3	622,5	30,40	PHC 240H-1...	
	60H-2	19,05	11,91	12,57	5,94	55,3	57,1	57,7	18,00	3,25	26,11	63,6	84,5	3,71	PHC 60H-2...	
	80H-2	25,40	15,88	15,75	7,92	68,8	70,3	72,0	24,00	4,00	32,59	113,4	145,3	6,15	PHC 80H-2...	
	100H-2	31,75	19,05	18,90	9,53	82,7	86,0	86,0	30,00	4,80	39,09	177,0	225,9	9,03	PHC 100H-2...	
	120H-2	38,10	22,23	25,22	11,10	102,4	106,4	106,4	35,70	5,60	48,87	254,0	322,7	13,13	PHC 120H-2...	
	140H-2	44,45	25,40	25,22	12,70	109,8	114,4	114,4	41,00	6,40	52,20	344,8	437,7	16,60	PHC 140H-2...	
	160H-2	50,80	28,58	31,55	14,27	130,1	134,9	134,9	47,80	7,20	61,90	453,6	571,6	20,20	PHC 160H-2...	
	200H-2	63,50	39,68	37,85	19,85	164,9	171,8	171,8	60,00	9,50	78,31	707,6	894,9	38,11	PHC 200H-2...	
	60H-3	19,05	11,91	12,57	5,94	81,4	83,2	83,8	18,00	3,25	26,11	95,4	113,9	5,54	PHC 60H-3...	
	80H-3	25,40	15,88	15,75	7,92	101,4	102,9	104,6	24,00	4,00	32,59	170,1	203,5	9,42	PHC 80H-3...	
	100H-3	31,75	19,05	18,90	9,53	121,8	125,1	125,1	30,00	4,80	39,09	265,5	314,8	12,96	PHC 100H-3...	
	120H-3	38,10	22,23	25,22	11,10	151,2	155,2	155,2	35,70	5,60	48,87	381,0	444,7	19,64	PHC 120H-3...	
	140H-3	44,45	25,40	25,22	12,70	162,0	166,6	166,6	41,00	6,40	52,20	517,2	598,4	24,90	PHC 140H-3...	
	160H-3	50,80	28,58	31,55	14,27	192,0	196,8	196,8	47,80	7,20	61,90	680,4	787,3	30,10	PHC 160H-3...	
	200H-3	63,50	39,68	37,85	19,85	243,2	250,1	250,1	60,00	9,50	78,31	1 061,4	1 228,2	57,06	PHC 200H-3...	
	SH	25SH-1*	6,35	3,30	3,18	2,01	9,0	-	6,00	2,01	-	5,1	5,6	2,17	PHC 25SH-1X...	
		35SH-1*	9,53	5,08	4,77	3,58	13,3	14,3	9,00	1,50	-	11,0	13,6	0,41	PHC 35SH-1X...	
		40SH-1	12,70	7,95	7,85	3,96	18,8	19,9	-	12,00	2,03	-	22,4	24,8	0,82	PHC 40SH-1X...
		50SH-1	15,88	10,16	9,40	5,08	22,1	23,4	-	15,09	2,42	-	30,4	36,2	1,25	PHC 50SH-1X...
60SH-1		19,05	11,91	12,57	5,94	29,2	31,6	-	18,00	3,25	-	44,1	50,4	1,87	PHC 60SH-1X...	
80SH-1		25,40	15,88	15,75	7,92	36,2	37,7	-	24,00	4,00	-	88,2	93,0	3,10	PHC 80SH-1X...	
100SH-1		31,75	19,05	18,90	9,53	43,6	46,9	-	30,00	4,80	-	116,6	129,1	4,52	PHC 100SH-1X...	
120SH-1		38,10	22,23	25,22	11,10	53,5	57,5	-	35,70	5,60	-	158,2	175,3	6,60	PHC 120SH-1X...	
140SH-1		44,45	25,40	25,22	12,70	57,6	62,2	-	41,00	6,40	-	206,0	266,5	8,30	PHC 140SH-1X...	
160SH-1		50,80	28,58	31,55	14,27	68,2	73,0	-	47,80	7,20	-	274,0	293,0	10,30	PHC 160SH-1X...	
200SH-1		63,50	39,68	37,85	19,85	86,6	93,5	-	60,00	9,50	-	506,1	562,3	19,16	PHC 200SH-1X...	
SPH		80SPH-1	25,40	15,88	15,75	7,94	32,7	36,5	-	24,10	3,20	-	77,5	85,3	2,86	PHC80SPH-1X...
		100SPH-1	31,75	19,05	18,95	9,54	40,4	44,7	-	30,10	4,00	-	115,5	127,0	4,21	PHC100SPH-1X...
		120SPH-1	38,10	22,23	25,22	11,11	50,3	54,3	-	36,20	4,80	-	165,0	186,0	6,36	PHC120SPH-1X...
		140SPH-1	44,45	25,40	25,22	12,71	54,4	59,0	-	42,20	5,60	-	222,7	245,0	8,04	PHC140SPH-1X...
	160SPH-1	50,80	28,58	31,55	14,29	64,8	69,6	-	48,20	6,40	-	285,5	314,0	10,80	PHC160SPH-1X...	
	200SPH-1	63,50	39,68	37,85	19,85	80,3	87,2	-	60,30	8,00	-	445,5	490,0	18,00	PHC200SPH-1X...	
	80SPH-2	25,40	15,88	15,75	7,94	62,7	65,8	-	24,10	3,20	29,29	155,0	170,6	5,68	PHC80SPH-2X...	
	100SPH-2	31,75	19,05	18,95	9,54	76,4	80,5	-	30,10	4,00	35,76	231,0	255,0	8,34	PHC100SPH-2X...	
	120SPH-2	38,10	22,23	25,22	11,11	95,8	99,7	-	36,20	4,80	45,44	339,0	373,0	12,63	PHC120SPH-2X...	
	140SPH-2	44,45	25,40	25,22	12,71	103,3	107,9	-	42,20	5,60	48,87	445,5	490,0	15,92	PHC140SPH-2X...	
	160SPH-2	50,80	28,58	31,55	14,29	123,3	128,1	-	48,20	6,40	58,55	571,0	628,0	21,43	PHC160SPH-2X...	
	200SPH-2	63,50	39,68	37,85	19,85	151,9	158,8	-	60,30	8,00	71,55	892,0	981,0	35,00	PHC200SPH-2X...	
	80SPH-3	25,40	15,88	15,75	7,94	91,7	95,1	-	24,10	3,20	29,29	232,5	255,9	8,18	PHC80SPH-3X...	
	100SPH-3	31,75	19,05	18,95	9,54	112,2	116,3	-	30,10	4,00	35,76	347,3	382,0	12,47	PHC100SPH-3X...	
	120SPH-3	38,10	22,23	25,22	11,11	141,4	145,2	-	36,20	4,80	45,44	508,0	559,0	18,90	PHC120SPH-3X...	

* Bushing chain: d₃ indicates external diameter of bushing.
 Standard lengths are 10 ft. and 5 m. To complete designation, add chain length. For example, a 5 m box of 160H-1 is PHC 160H-1X5MTR.
 One connecting link is contained per chain. For additional links, add "C/L" for connecting and "O/L" for "offset" to the designation.
 For cotted, add a "C" after the number of strands. For example, 160H-1 with a cotted pin is designated PHC 160H-1C...
 For heavy duty multistrand chain drives with H, SH or SHH chains, special sprockets are needed due to differences in transverse pitch.

SKF Xtra Strength Chains
SPH Chains | SHH Chains

Xtra Strength type	ANSI Chain number	Dimensions		Width between inner plates b ₁ Min.	Pin diameter d ₂ Max.	Pin length		Pin length cotted L _c Max.	Inner plate height h ₂ Max.	Plate thickness T Max.	Transverse pitch P _t	Ultimate tensile strength Q Min.	Average tensile strength Q ₀	Mass per meter	Designation
		Pitch P	Roller diameter d ₁ Max.			L Max.	L ₂ Max.								
–	–	mm										kN		kg/m	–
SPH	140SPH-3	44,45	25,40	25,22	12,71	152,2	156,8	–	42,20	5,60	48,87	668,0	735,0	23,84	PHC140SPH-3X...
	160SPH-3	50,80	28,58	31,55	14,29	181,8	186,6	–	48,20	6,40	58,55	855,5	941,0	32,10	PHC160SPH-3X...
	200SPH-3	63,50	39,68	37,85	19,85	223,5	230,4	–	60,30	8,00	71,55	1 336,4	1 470,0	52,50	PHC200SPH-3X...
SHH	80SHH-1	25,40	15,88	15,75	7,94	36,2	38,9	–	24,10	4,00	–	89,2	98,1	3,36	PHC 80SHH-1X...
	100SHH-1	31,75	19,05	18,90	9,54	43,6	46,9	–	30,10	4,80	–	131,8	145,0	4,90	PHC 100SHH-1X...
	120SHH-1	38,10	22,23	25,22	11,11	53,5	57,5	–	36,20	5,60	–	176,0	196,0	7,12	PHC 120SHH-1X...
	140SHH-1	44,45	25,40	25,22	12,71	57,6	62,2	–	42,20	6,40	–	231,9	255,0	8,88	PHC 140SHH-1X...
	160SHH-1	50,80	28,58	31,55	14,29	68,2	73,0	–	48,20	7,20	–	294,5	324,0	11,72	PHC 160SHH-1X...
	200SHH-1	63,50	39,68	37,85	19,85	86,6	93,5	–	60,30	9,50	–	543,6	598,0	19,80	PHC 200SHH-1X...
	80SHH-2	25,40	15,88	15,75	7,94	68,8	72,0	–	24,10	4,00	32,59	178,4	196,2	6,65	PHC 80SHH-2X...
	100SHH-2	31,75	19,05	18,90	9,54	82,7	86,0	–	30,10	4,80	39,09	263,6	290,0	9,71	PHC 100SHH-2X...
	120SHH-2	38,10	22,23	25,22	11,11	102,4	106,4	–	36,20	5,60	48,87	356,4	392,0	14,12	PHC 120SHH-2X...
	140SHH-2	44,45	25,40	25,22	12,71	109,8	114,4	–	42,20	6,40	52,20	463,6	510,0	17,38	PHC 140SHH-2X...
	160SHH-2	50,80	28,58	31,55	14,29	130,1	134,9	–	48,20	7,20	61,90	588,0	647,0	23,00	PHC 160SHH-2X...
	200SHH-2	63,50	39,68	37,85	19,85	164,9	171,8	–	60,30	9,50	78,31	1 091,0	1 200,0	38,50	PHC 200SHH-2X...
	80SHH-3	25,40	15,88	15,75	7,94	101,4	104,6	–	24,10	4,00	32,59	267,6	294,3	9,95	PHC 80SHH-3X...
	100SHH-3	31,75	19,05	18,90	9,54	121,8	125,1	–	30,10	4,80	39,09	395,4	435,0	14,53	PHC 100SHH-3X...
	120SHH-3	38,10	22,23	25,22	11,11	151,2	155,2	–	36,20	5,60	48,87	534,5	588,0	21,12	PHC 120SHH-3X...
	140SHH-3	44,45	25,40	25,22	12,71	162,0	166,6	–	42,20	6,40	52,20	695,5	765,0	25,88	PHC 140SHH-3X...
	160SHH-3	50,80	28,58	31,55	14,29	192,0	196,8	–	48,20	7,20	61,90	882,7	971,0	34,22	PHC 160SHH-3X...
	200SHH-3	63,50	39,68	37,85	19,85	243,2	250,1	–	60,30	9,50	78,31	1 627,3	1 790,0	57,29	PHC 200SHH-3X...

* Bushing chain: d₁ indicates external diameter of bushing.

Standard lengths are 10 ft. and 5 m. To complete designation, add chain length. For example, a 5 m box of 160H-1 is PHC 160H-1X5MTR.

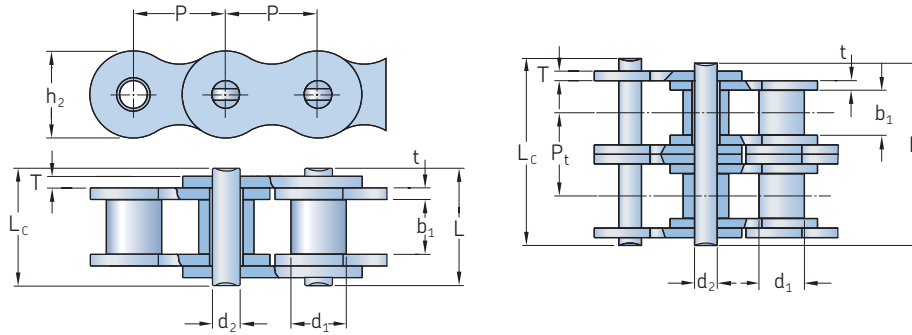
One connecting link is contained per chain. For additional links, add "C/L" for connecting and "O/L" for "offset" to the designation.

For cotted, add a "C" after the number of strands. For example, 160H-1 with a cotted pin is designated PHC 160H-1C...

For heavy duty multistrand chain drives with H, SH or SHH chains, special sprockets are needed due to differences in transverse pitch.

SKF Xtra Corrosion Resistant Chains

Stainless steel chains | Nickel-plated, zinc-plated and dactrotized chains

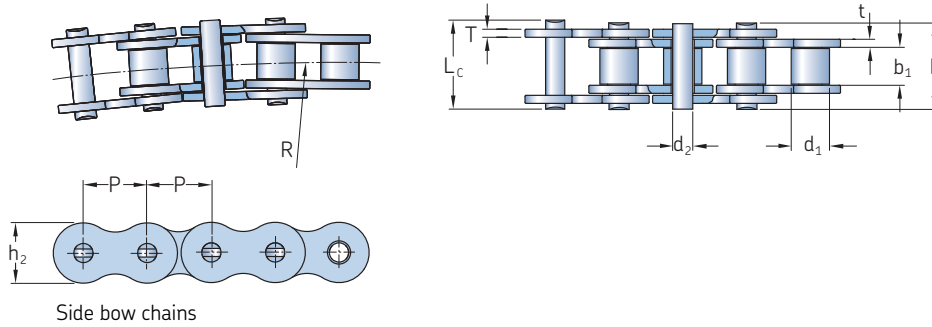


Corrosion resistance type	Chain number	Dimensions					Pin length	Inner plate height	Plate thickness	T	Ultimate tensile strength Q	Mass per meter	Designation
		Pitch P	Roller diameter d ₂ Max.	Width between inner plates b ₁ Min.	Pin diameter d ₂ Max.	Pin length L Max.							
mm													
SS	25-1SS ¹⁾	6,35	3,30	3,18	2,31	7,90	8,40	6,00	0,80	0,80	2,5	0,15	PHC 25-1SS...
Plated	25-1 ¹⁾	6,35	3,30	3,18	2,31	7,90	8,40	6,00	0,80	0,80	3,5	0,15	PHC 25-1...
SS	35-1SS ¹⁾	9,53	5,08	4,77	3,58	12,40	13,17	9,00	1,30	1,30	5,5	0,33	PHC 35-1SS...
Plated	35-1 ¹⁾	9,53	5,08	4,77	3,58	12,40	13,17	9,00	1,30	1,30	7,9	0,33	PHC 35-1...
SS	40-1SS	12,70	7,95	7,85	3,96	16,60	17,80	12,00	1,50	1,50	9,6	0,63	PHC 40-1SS...
Plated	40-1	12,70	7,95	7,85	3,96	16,60	17,80	12,00	1,50	1,50	14,1	0,62	PHC 40-1...
SS	41-1SS	12,70	7,77	6,25	3,58	13,75	15,00	9,91	1,30	1,30	6,0	0,46	PHC 41-1SS...
Plated	41-1	12,70	7,77	6,25	3,58	13,75	15,00	9,91	1,30	1,30	6,7	0,41	PHC 41-1...
SS	50-1SS	15,88	10,16	9,40	5,08	20,70	22,20	15,09	2,03	2,03	15,2	1,03	PHC 50-1SS...
Plated	50-1	15,88	10,16	9,40	5,08	20,70	22,20	15,09	2,03	2,03	22,2	1,02	PHC 50-1...
SS	60-1SS	19,05	11,91	12,57	5,94	25,90	27,70	18,00	2,42	2,42	21,7	1,51	PHC 60-1SS...
Plated	60-1	19,05	11,91	12,57	5,94	25,90	27,70	18,00	2,42	2,42	31,8	1,50	PHC 60-1...
SS	80-1SS	25,40	15,88	15,75	7,92	32,70	35,00	24,00	3,25	3,25	38,9	2,62	PHC 80-1SS...
Plated	80-1	25,40	15,88	15,75	7,92	32,70	35,00	24,00	3,25	3,25	56,7	2,60	PHC 80-1...
SS	100-1SS	31,75	19,05	18,90	9,53	40,40	44,70	30,00	4,00	4,00	60,0	3,94	PHC 100-1SS...
Plated	100-1	31,75	19,05	18,90	9,53	40,40	44,70	30,00	4,00	4,00	88,5	3,91	PHC 100-1...
SS	120-1SS	38,10	22,23	25,22	11,10	50,30	54,30	35,70	4,80	4,80	72,5	5,72	PHC 120-1SS...
Plated	120-1	38,10	22,23	25,22	11,10	50,30	54,30	35,70	4,80	4,80	127,0	5,62	PHC 120-1...
SS	140-1SS	44,45	25,40	25,22	12,70	54,40	59,00	41,00	5,60	5,60	94,0	7,70	PHC 140-1SS...
Plated	140-1	44,45	25,40	25,22	12,70	54,40	59,00	41,00	5,60	5,60	172,4	7,50	PHC 140-1...
Plated	160-1	50,80	28,58	31,55	14,27	64,80	69,60	47,80	6,40	6,40	226,8	10,10	PHC 160-1...
SS	04B-1SS	6,00	4,00	2,80	1,85	6,80	7,80	5,00	0,60	0,60	2,0	0,11	PHC 04B-1SS...
Plated	04B-1	6,00	4,00	2,80	1,85	6,80	7,80	5,00	0,60	0,60	3,0	0,11	PHC 04B-1...
SS	05B-1SS	8,00	5,00	3,00	2,31	8,20	8,90	7,10	0,80	0,80	3,5	0,20	PHC 05B-1SS...
Plated	05B-1	8,00	5,00	3,00	2,31	8,20	8,90	7,10	0,80	0,80	5,0	0,20	PHC 05B-1...
SS	06B-1SS ²⁾	9,53	6,35	5,72	3,28	13,15	14,10	8,20	1,30	1,30	6,2	0,41	PHC 06B-1SS...
Plated	06B-1 ²⁾	9,53	6,35	5,72	3,28	13,15	14,10	8,20	1,30	1,30	9,0	0,41	PHC 06B-1...
SS	08B-1SS	12,70	8,51	7,75	4,45	16,70	18,20	11,80	1,60	1,60	12,0	0,70	PHC 08B-1SS...
Plated	08B-1	12,70	8,51	7,75	4,45	16,70	18,20	11,80	1,60	1,60	18,0	0,69	PHC 08B-1...
SS	10B-1SS	15,88	10,16	9,65	5,08	19,50	20,90	14,70	1,70	1,70	14,5	0,94	PHC 10B-1SS...
Plated	10B-1	15,88	10,16	9,65	5,08	19,50	20,90	14,70	1,70	1,70	22,4	0,93	PHC 10B-1...
SS	12B-1SS	19,05	12,07	11,68	5,72	22,50	24,20	16,00	1,85	1,85	18,5	1,16	PHC 12B-1SS...
Plated	12B-1	19,05	12,07	11,68	5,72	22,50	24,20	16,00	1,85	1,85	29,0	1,15	PHC 12B-1...
SS	16B-1SS	25,40	15,88	17,02	8,28	36,10	37,40	21,00	4,15	3,10	40,0	2,73	PHC 16B-1SS...
Plated	16B-1	25,40	15,88	17,02	8,28	36,10	37,40	21,00	4,15	3,10	60,0	2,71	PHC 16B-1...
SS	20B-1SS	31,75	19,05	19,56	10,19	41,30	45,00	26,40	4,50	3,50	59,0	3,73	PHC 20B-1SS...
Plated	20B-1	31,75	19,05	19,56	10,19	41,30	45,00	26,40	4,50	3,50	95,0	3,70	PHC 20B-1...
SS	24B-1SS	38,10	25,40	25,40	14,63	53,40	57,80	33,20	6,00	4,80	104,0	7,20	PHC 24B-1SS...
Plated	24B-1	38,10	25,40	25,40	14,63	53,40	57,80	33,20	6,00	4,80	160,0	7,10	PHC 24B-1...
Plated	28B-1	44,45	27,94	30,99	15,90	65,10	69,50	36,70	7,50	6,00	200,0	8,50	PHC 28B-1...
SS	32B-1SS	50,80	29,21	30,99	17,81	66,00	71,00	42,00	7,00	6,00	150,0	10,22	PHC 32B-1SS...
Plated	32B-1	50,80	29,21	30,99	17,81	66,00	71,00	42,00	7,00	6,00	250,0	10,25	PHC 32B-1...

¹⁾ Bushing chain: d₁ indicates external diameter of bushing. ²⁾ Straight side plates. Note: Duplex and double pitch plated chains are available in all sizes. When ordering plated chains, add suffix according to material selection after chain number: DR for dactrotized, NP for nickel-plated and ZP for zinc plated. For example, PHC 50-1DR... 50-1 ANSI Simplex dactrotized chain and PHC 60-2NP... ANSI Duplex nickel-plated chain. Standard lengths are 10 ft. and 5 m. To complete designation, add chain length. For example, a 10 ft. box of 12B-1NP is PHC 12B-1NPX10FT. One connecting link is contained per chain. For additional links, add "C/L" for "connecting" and "O/L" for "offset" to the designation.

Roller chains

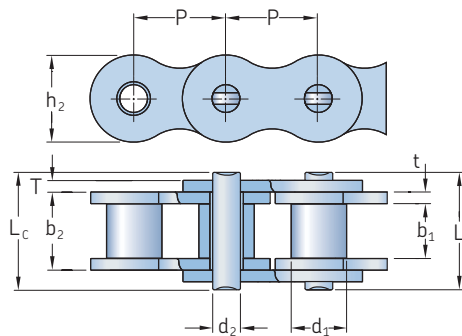
Side bow | SKF Xtra Performance SLR Chains



Side bow chains

Chain number	Dimensions		Width between inner plates b ₁ Min.	Pin diameter d ₂ Max.	Pin length		Inner plate height h ₂ Max.	Plate thickness		Ultimate tensile strength Q Min.	Average tensile strength Q ₀	Mass per meter	Designation
	Pitch P	Roller diameter d ₁ Max.			L Max.	L _c Max.		t Max.	T Max.				
mm											kN	kg/m	-
40-1SB	12,70	7,95	7,85	3,96	16,9	18,1	11,7	1,50	1,50	13,8	15,2	0,80	PHC 40-1SB...
43-1SB	12,70	7,95	7,85	3,45	18,3	19,5	11,7	1,50	1,50	12,0	13,2	0,64	PHC 43-1SB...
50-1SB	15,88	10,16	9,40	4,37	20,7	22,7	14,9	2,03	2,03	20,6	22,7	1,09	PHC 50-1SB...
60-1SB	19,05	11,91	12,57	5,34	26,6	28,4	18,0	2,42	2,42	15,7	17,3	1,54	PHC 60-1SB...
63-1SB	19,05	11,91	12,68	5,08	28,8	30,6	17,2	2,42	2,03	12,5	20,0	1,40	PHC 63-1SB...
80-1SB	25,40	15,88	15,75	7,19	34,0	37,3	24,0	3,25	3,25	40,9	42,0	2,60	PHC 80-1SB...
08B-1SB	12,70	8,51	7,75	3,97	17,4	18,7	11,8	1,60	1,60	14,0	15,4	0,70	PHC 08B-1SB...
10B-1SB	15,88	10,16	9,65	4,50	20,1	21,5	14,7	1,70	1,70	15,6	17,2	0,93	PHC 10B-1SB...
12B-1SB	19,05	12,07	11,68	5,12	23,1	24,8	16,0	1,85	1,85	20,5	22,6	1,16	PHC 12B-1SB...
C2050-1SB	31,75	10,16	9,40	5,08	21,3	22,6	15,0	2,03	2,03	21,8	24,1	0,84	PHC C2050-1SB...

Standard lengths are 10 ft. and 5 m. To complete designation, add chain length. For example, a 5 m box of 60-1SB is PHC 60-1SBX5MTR. One connecting link is contained per chain. For additional links, add "C/L" for "connecting" and "O/L" for "offset" to the designation.

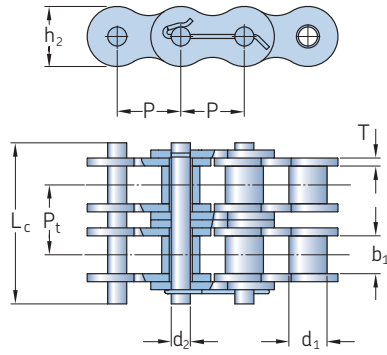


SKF Xtra Performance SLR Chains

Chain number	Dimensions		Width between inner plates b ₁ Min.	Width between outer plates b ₂ Min.	Pin diameter d ₂ Max.	Pin length		Inner plate height h ₂ Max.	Plate thickness		Ultimate tensile strength Q Min.	Mass per meter	Designation
	Pitch P	Roller diameter d ₁ Max.				L Max.	L _c Max.		t Max.	T Max.			
mm											kN	kg/m	-
08B-1SLR	12,70	8,51	7,75	13,03	4,45	16,7	18,2	11,8	1,60	1,60	18,0	0,69	PHC 08B-1SLR...
10B-1SLR	15,88	10,16	9,65	13,75	5,08	19,5	20,9	14,7	1,70	1,70	22,4	0,93	PHC 10B-1SLR...
12B-1SLR	19,05	12,07	11,68	15,75	5,72	22,5	24,2	16,0	1,85	1,85	29,0	1,15	PHC 12B-1SLR...
16B-1SLR	25,40	15,88	17,02	27,50	8,28	36,1	37,4	21,0	4,15	3,10	60,0	2,71	PHC 16B-1SLR...
12B-2SLR	19,05	12,07	11,68	35,21	5,72	42,0	43,6	16,0	1,85	1,85	58,0	2,31	PHC 12B-2SLR...
16B-2SLR	25,40	15,88	17,02	57,46	8,28	68,0	69,3	21,0	4,15	3,10	106,0	5,42	PHC 16B-2SLR...
40-1SLR	12,70	7,95	7,85	12,25	3,96	16,6	17,8	12,0	1,50	1,50	14,1	0,62	PHC 40-1SLR...
50-1SLR	15,88	10,16	9,40	13,84	5,08	20,7	22,2	15,1	2,03	2,03	21,8	1,02	PHC 50-1SLR...
60-1SLR	19,05	11,91	12,57	19,35	5,94	27,5	29,3	18,0	2,42	2,42	34,2	1,65	PHC 60-1SLR...
80-1SLR	25,40	15,88	15,75	22,66	7,92	32,7	35,0	24,0	3,25	3,25	56,7	2,60	PHC 80-1SLR...
100-1SLR	31,75	19,05	18,90	27,51	9,53	40,4	44,7	30,0	4,00	4,00	86,7	3,94	PHC 100-1SLR...
60-2SLR	19,05	11,91	12,57	42,13	5,94	50,3	52,1	18,0	3,25	2,42	68,4	3,21	PHC 60-2SLR...

Standard lengths are 10 ft. and 5 m. To complete designation, add chain length. For example, a 10 ft. box of 10B-1SLR is PHC 10B-1SLRX10FT. One connecting link is contained per chain. For additional links, add "C/L" for "connecting" and "O/L" for "offset" to the designation.

Oil field chains

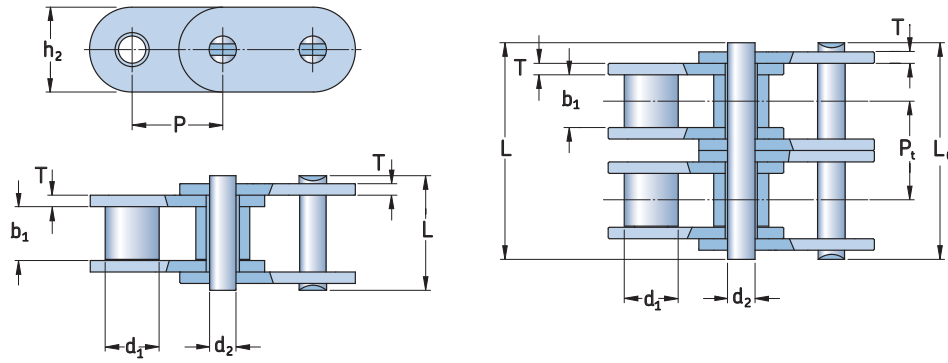


Chain number	ANSI Chain number	Dimensions		Width between inner plates b ₁ Min.	Pin diameter d ₂ Max.	Pin length L Max.	Inner plate height h ₂ Max.	Plate thickness T Max.	Transverse pitch P _t	Ultimate tensile strength Q Min.	Mass per meter	Designation	
		Pitch P	Roller diameter d ₁ Max.										
-											mm	kg/m	kn
165-1	80-1	25,40	15,88	15,75	7,92	37,55	24,1	3,25	-	55,6	2,60	PHC 165-1...	
205-1	100-1	31,75	19,05	18,90	9,53	44,30	30,0	4,00	-	86,9	3,91	PHC 205-1...	
245-1	120-1	38,10	22,23	25,22	11,10	54,40	36,2	4,80	-	125,1	5,62	PHC 245-1...	
285-1	140-1	44,45	25,40	25,22	12,70	59,00	42,2	5,60	-	170,3	7,50	PHC 285-1...	
325-1	160-1	50,80	28,58	31,55	14,27	69,60	48,2	6,40	-	222,4	10,10	PHC 325-1...	
365-1	180-1	57,15	35,71	35,48	17,46	78,60	54,3	7,20	-	281,5	13,45	PHC 365-1...	
405-1	200-1	63,50	39,68	37,85	19,85	87,20	60,3	8,00	-	347,5	16,15	PHC 405-1...	
165-2	80-2	25,40	15,88	15,75	7,92	66,80	24,1	3,25	29,29	111,2	5,15	PHC 165-2...	
205-2	100-2	31,75	19,05	18,90	9,53	80,50	30,1	4,00	35,76	173,7	7,80	PHC 205-2...	
245-2	120-2	38,10	22,23	25,22	11,10	99,70	36,2	4,80	45,44	250,2	11,70	PHC 245-2...	
285-2	140-2	44,45	25,40	25,22	12,70	107,80	42,2	5,60	48,87	340,5	15,14	PHC 285-2...	
325-2	160-2	50,80	28,58	31,55	14,27	127,50	48,2	6,40	58,55	444,8	20,14	PHC 325-2...	
365-2	180-2	57,15	35,71	35,48	17,46	144,40	54,3	7,20	65,84	562,9	29,22	PHC 365-2...	
405-2	200-2	63,50	39,68	37,85	19,85	158,80	60,3	8,00	71,55	695,0	32,24	PHC 405-2...	
165-3	80-3	25,40	15,88	15,75	7,92	96,10	24,1	3,25	29,29	166,8	7,89	PHC 165-3...	
205-3	100-3	31,75	19,05	18,90	9,53	116,30	30,1	4,00	35,76	260,6	11,77	PHC 205-3...	
245-3	120-3	38,10	22,23	25,22	11,10	145,20	36,2	4,80	45,44	375,3	17,53	PHC 245-3...	
285-3	140-3	44,45	25,40	25,22	12,70	156,80	42,2	5,60	48,87	510,8	22,20	PHC 285-3...	
325-3	160-3	50,80	28,58	31,55	14,27	186,60	48,2	6,40	58,55	667,2	30,02	PHC 325-3...	
365-3	180-3	57,15	35,71	35,48	17,46	210,20	54,3	7,20	65,84	844,4	38,22	PHC 365-3...	
405-3	200-3	63,50	39,68	37,85	19,85	230,40	60,3	8,00	71,55	1 042,5	49,03	PHC 405-3...	
165-4	80-4	25,40	-	15,75	7,92	122,90	24,1	3,25	29,29	222,4	10,24	PHC 165-4...	
205-4	100-4	31,75	19,05	18,90	9,53	151,50	30,1	4,00	35,76	347,5	15,39	PHC 205-4...	
245-4	120-4	38,10	22,23	25,22	11,10	190,60	36,2	4,80	45,44	500,4	22,19	PHC 245-4...	
285-4	140-4	44,45	25,40	25,22	12,70	205,70	42,2	5,60	48,87	681,1	29,63	PHC 285-4...	
325-4	160-4	50,80	28,58	31,55	14,27	245,20	48,2	6,40	58,55	889,6	39,94	PHC 325-4...	
405-4	200-4	63,50	39,68	37,85	19,85	302,00	60,3	8,00	71,55	1 390,0	63,60	PHC 405-4...	
165-5	80-5	25,40	-	15,75	7,92	152,20	24,1	3,25	29,29	278,0	12,79	PHC 165-5...	
205-5	100-5	31,75	19,05	18,90	9,53	187,80	30,1	4,00	35,76	434,4	19,22	PHC 205-5...	
245-5	120-5	38,10	22,23	25,22	11,10	236,10	36,2	4,80	45,44	625,5	27,71	PHC 245-5...	
165-6	80-6	25,40	15,88	15,75	7,92	181,50	24,1	3,25	29,29	333,6	15,34	PHC 165-6...	
205-6	100-6	31,75	19,05	18,90	9,53	223,60	30,1	4,00	35,76	521,2	23,05	PHC 205-6...	
245-6	120-6	38,10	22,23	25,22	11,10	281,60	36,2	4,80	45,44	750,6	33,24	PHC 245-6...	
285-6	140-6	44,45	25,40	25,22	12,70	303,40	42,2	5,60	48,87	1 021,6	44,38	PHC 285-6...	
325-6	160-6	50,80	28,58	31,55	14,27	362,30	48,2	6,40	58,55	1 334,4	59,83	PHC 325-6...	
405-6	200-6	63,50	39,68	37,85	19,85	445,00	60,3	8,00	71,55	2 085,0	95,23	PHC 405-6...	
165-8	80-8	25,40	15,88	15,75	7,92	240,10	24,1	3,25	29,29	444,8	20,44	PHC 165-8...	
205-8	100-8	31,75	19,05	18,90	9,53	295,10	30,1	4,00	35,76	695,0	30,71	PHC 205-8...	
245-8	120-8	38,10	22,23	25,22	11,10	372,40	36,2	4,80	45,44	1 000,8	44,28	PHC 245-8...	

Standard lengths are 10 ft. To complete designation, add chain length. For example, a 10 ft. box of 405-6 is PHC 405-6X10FT. One connecting link is contained per chain. For additional links, add "C/L" for "connecting" and "O/L" for "offset" to the designation.

Straight side plate chains

A series | B series

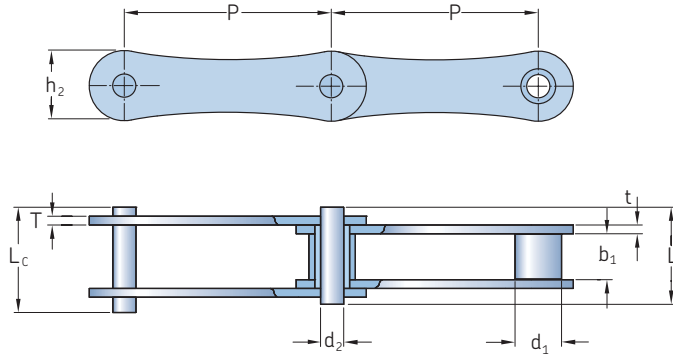


Series	DIN/ISO Chain number	ANSI Chain number	Dimensions			Pin diameter d ₂ Max.	Pin length		Inner plate height h ₂ Max.	Plate thickness t Max.	T Max.	Transverse pitch P _t	Ultimate tensile strength Q Min.	Average tensile strength Q ₀	Mass per meter q	Designation	
			Pitch P	Roller diameter d ₁ Max.	Width between inner plates b ₁ Min.		L Max.	L _c Max.									
mm																	
A	C06A-1	*C35	9,525	5,08	4,77	3,58	13,3	14,3	9,0	-	1,3	-	7,9	10,8	0,41	PHC C06A-1...	
	C08A-1	C40	12,700	7,95	7,85	3,96	16,6	18,8	12,0	-	1,5	-	14,1	17,5	0,73	PHC C08A-1...	
	C10A-1	C50	15,875	10,16	9,40	5,08	20,7	23,3	15,1	-	2,0	-	22,2	29,4	1,23	PHC C10A-1...	
	C12A-1	C60	19,050	11,91	12,57	5,94	-	28,3	18,0	-	2,4	-	31,8	41,5	1,81	PHC C12A-1...	
	C16A-1	C80	25,400	15,88	15,75	7,92	32,7	36,5	24,0	-	3,3	-	56,7	60,4	3,09	PHC C16A-1...	
	C20A-1	C100	31,750	19,05	18,90	9,53	40,4	44,7	30,0	-	4,0	-	88,5	109,2	4,56	PHC C20A-1...	
	C24A-1	C120	38,100	22,23	25,22	11,10	50,3	54,3	35,7	-	4,8	-	127,0	166,3	6,86	PHC C24A-1...	
	C28A-1	C140	44,450	25,40	25,22	12,70	54,4	59,0	41,0	-	5,6	-	172,4	212,0	8,49	PHC C28A-1...	
	C32A-1	C160	50,800	28,58	31,55	14,27	64,8	69,6	47,8	-	6,4	-	226,8	278,9	11,50	PHC C32A-1...	
	C08A-2	C40-2	12,700	7,95	7,85	3,96	31,0	33,2	12,0	-	1,5	14,38	28,2	35,9	1,43	PHC C08A-2...	
	C10A-2	C50-2	15,875	10,16	9,40	5,08	38,9	41,4	15,1	-	2,0	18,11	44,4	58,1	2,42	PHC C10A-2...	
	C12A-2	C60-2	19,050	11,91	12,57	5,94	48,8	51,1	18,0	-	2,4	22,78	63,6	82,1	3,58	PHC C12A-2...	
	C16A-2	C80-2	25,400	15,88	15,75	7,92	62,7	65,8	24,0	-	3,3	29,29	113,4	141,8	6,12	PHC C16A-2...	
	C20A-2	C100-2	31,750	19,05	18,90	9,53	76,4	80,5	30,0	-	4,0	35,76	177,0	219,4	9,08	PHC C20A-2...	
	C34A-2	C120-2	38,100	22,23	25,22	11,10	95,8	99,7	35,7	-	4,8	45,44	254,0	314,9	13,60	PHC C34A-2...	
	C28A-2	C140-2	44,450	25,40	25,22	12,70	103,3	107,9	41,0	-	5,6	48,87	344,8	427,5	16,86	PHC C28A-2...	
	C32A-2	C180-2	50,800	28,58	31,55	14,27	123,3	128,1	47,8	-	6,4	58,55	453,6	562,4	22,90	PHC C32A-2...	
	C08A-3	C40-3	12,700	7,95	7,85	3,96	45,4	47,6	12,0	-	1,5	14,38	42,3	50,0	2,14	PHC C08A-3...	
	C10A-3	C50-3	15,875	10,16	9,40	5,08	57,0	59,5	15,1	-	2,0	18,11	66,6	77,8	3,62	PHC C10A-3...	
	C12A-3	C60-3	19,050	11,91	12,57	5,94	71,5	73,9	18,0	-	2,4	22,78	95,4	111,1	5,36	PHC C12A-3...	
	C16A-3	C80-3	25,400	15,88	15,75	7,92	91,7	95,1	24,0	-	3,3	29,29	170,1	198,4	9,10	PHC C16A-3...	
	C20A-3	C100-3	31,750	19,05	18,90	9,53	112,2	116,3	30,0	-	4,0	35,76	265,5	309,6	13,60	PHC C20A-3...	
	C24A-3	C120-3	38,100	22,23	25,22	11,10	141,4	145,2	35,7	-	4,8	45,44	381,0	437,2	20,43	PHC C24A-3...	
	C28A-3	C140-3	44,450	25,40	25,22	12,70	152,2	156,8	41,0	-	5,6	48,87	517,2	593,3	25,23	PHC C28A-3...	
	C32A-3	C160-3	50,800	28,58	31,55	14,27	181,8	186,6	47,8	-	6,4	58,55	680,4	780,6	34,49	PHC C32A-3...	
	B	C08B-1	-	12,700	8,51	7,75	4,45	16,7	18,2	11,8	1,6	1,6	-	18,0	19,5	0,80	PHC C08B-1...
		C10B-1	-	15,880	10,16	9,65	5,08	19,5	20,9	14,7	1,7	1,7	-	22,4	27,9	1,06	PHC C10B-1...
		C12B-1	-	19,060	12,07	11,68	5,72	22,5	25,2	16,0	1,9	1,9	-	29,0	32,2	1,32	PHC C12B-1...
		C16B-1	-	25,400	15,88	17,02	8,28	36,1	39,1	21,0	4,2	3,1	-	60,0	72,8	3,08	PHC C16B-1...
		C20B-1	-	31,750	19,05	19,56	10,19	41,3	45,0	26,4	4,5	3,5	-	95,0	106,7	4,16	PHC C20B-1...
C24B-1		-	38,100	25,40	25,40	14,63	53,4	57,8	33,2	6,0	4,8	-	160,0	178,0	7,47	PHC C24B-1...	
C28B-1		-	44,450	27,94	30,99	15,90	66,1	69,5	36,7	7,5	6,0	-	200,0	222,0	9,90	PHC C28B-1...	
C32B-1		-	50,800	29,21	30,99	17,81	66,0	71,0	42,0	7,0	6,0	-	250,0	277,5	10,45	PHC C32B-1...	
C08B-2		-	12,700	8,51	7,75	4,45	31,2	32,2	11,8	1,6	1,6	13,92	32,0	38,7	1,45	PHC C08B-2...	
C10B-2		-	15,880	10,16	9,65	5,08	36,1	37,5	14,7	1,7	1,7	16,59	44,5	57,8	2,00	PHC C10B-2...	
C12B-2		-	19,050	12,07	11,68	5,72	42,0	44,7	16,0	1,9	1,9	19,46	57,8	66,1	2,62	PHC C12B-2...	
C16B-2		-	25,400	15,88	17,02	8,28	68,0	71,0	21,0	4,2	3,1	31,88	106,0	133,0	6,10	PHC C16B-2...	
C20B-2		-	31,750	19,05	19,56	10,19	77,8	81,5	26,4	4,5	3,5	36,45	170,0	211,2	8,23	PHC C20B-2...	
C24B-2		-	38,100	25,40	25,40	14,63	101,7	106,2	33,2	6,0	4,8	48,36	280,0	319,2	14,77	PHC C24B-2...	
C28B-2		-	44,450	27,94	30,99	15,90	124,6	129,1	36,7	7,5	6,0	59,56	360,0	406,8	19,82	PHC C28B-2...	
C32B-2		-	50,800	29,21	30,99	17,81	124,6	129,6	42,0	7,0	6,0	58,65	450,0	508,5	20,94	PHC C32B-2...	
C08B-3		-	12,700	8,51	7,75	4,45	45,1	46,1	11,8	1,6	1,6	13,92	47,5	57,8	2,10	PHC C08B-3...	
C10B-3		-	15,880	10,16	9,65	5,08	52,7	54,1	14,7	1,7	1,7	16,59	66,7	84,5	2,87	PHC C10B-3...	
C12B-3		-	19,050	12,07	11,66	5,72	61,5	64,2	16,0	1,9	1,9	19,46	86,7	101,8	3,89	PHC C12B-3...	
C16B-3		-	25,400	15,88	17,02	8,28	99,8	102,9	21,0	4,2	3,1	31,88	160,0	203,7	9,12	PHC C16B-3...	
C20B-3		-	31,750	19,05	19,56	10,19	114,2	117,9	26,4	4,5	3,5	36,45	250,0	290,0	11,34	PHC C20B-3...	
C24B-3		-	38,100	25,40	25,40	14,63	150,1	154,6	33,2	6,0	4,8	48,36	425,0	493,0	22,10	PHC C24B-3...	
C28B-3		-	44,450	27,94	30,99	15,90	184,2	188,7	36,7	7,5	6,0	59,56	530,0	609,5	29,64	PHC C28B-3...	
C32B-3		-	50,800	29,21	30,99	17,81	183,2	188,2	42,0	7,0	6,0	58,55	670,0	770,5	31,27	PHC C32B-3...	

* Bushing chain: d₁ in the table indicates the external diameter of the bushing.
 Standard lengths are 10 ft. and 5 m. To complete designation, add chain length. For example, a 10 ft. box of C08A-1 is PHC C08A-1X10FT.
 One connecting link is contained per chain. For additional links, add "C/L" for "connecting" and "O/L" for "offset" to the designation.

Double pitch chains

Transmission chains

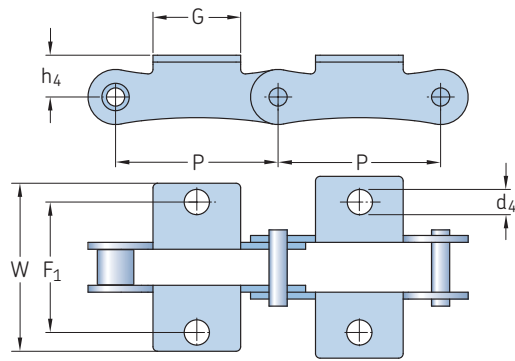


ANSI Chain number	BS/ISO Chain number	Dimensions		Width between inner plates b ₁ Min.	Pin diameter d ₂ Max.	Pin length		Inner plate height h ₂ Max.	Plate thickness		Ultimate tensile strength Q Min.	Average tensile strength Q ₀	Mass per meter	Designation
		Pitch P	Roller diameter d ₁ Max.			L Max.	L _c Max.		t Max.	T Max.				
-	-	mm									kN		kg/m	-
2040	208A	25,40	7,95	7,85	3,96	16,6	17,8	12,0	1,50	1,50	14,1	16,7	0,42	PHC 2040...
2050	210A	31,75	10,16	9,40	5,08	20,7	22,2	15,0	2,03	2,03	22,2	28,1	0,73	PHC 2050...
2060	212A	38,10	11,91	12,57	5,94	25,9	27,7	18,0	2,42	2,42	31,8	36,8	1,02	PHC 2060...
2080	216A	50,80	15,88	15,75	7,92	32,7	36,5	24,0	3,25	3,25	56,7	65,7	1,70	PHC 2080...
2100	220A	63,50	19,05	18,90	9,53	40,4	44,7	30,0	4,00	4,00	88,5	102,6	2,55	PHC 2100...
2120	224A	76,20	22,23	25,22	11,10	50,3	54,3	35,7	4,80	4,80	127,0	147,3	4,06	PHC 2120...
-	208B	25,40	8,51	7,75	4,45	16,7	18,2	11,8	1,60	1,60	18,0	19,4	0,45	PHC 208B...
-	210B	31,75	10,16	9,65	5,08	19,5	20,9	14,7	1,70	1,70	22,4	27,5	0,65	PHC 210B...
-	212B	38,10	12,07	11,68	5,72	22,5	25,2	16,0	1,85	1,85	29,0	32,2	0,76	PHC 212B...
-	216B	50,80	15,88	17,02	8,28	36,1	39,1	21,0	4,15	3,10	60,0	72,8	1,75	PHC 216B...
-	220B	63,50	19,05	19,56	10,19	41,3	45,0	26,4	4,50	3,50	95,0	106,7	2,62	PHC 220B...
-	224B	76,20	25,40	25,40	14,63	53,4	57,8	33,2	6,00	4,80	160,0	178,0	4,70	PHC 224B...
-	228B	88,90	27,94	30,99	15,90	65,1	69,5	36,7	7,50	6,00	200,0	222,0	6,23	PHC 228B...
-	232B	101,60	29,21	30,99	17,81	66,0	71,0	42,0	7,00	6,00	250,0	277,5	6,72	PHC 232B...

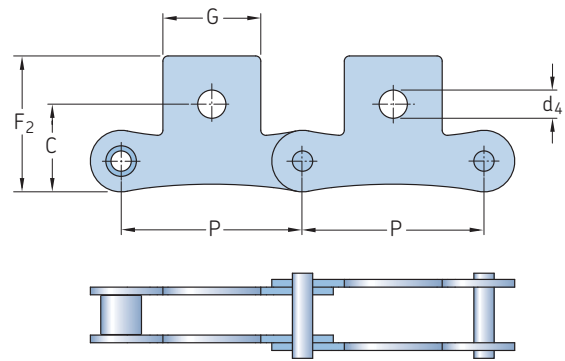
Standard lengths are 10 ft. and 5 m. To complete designation, add chain length. For example, a 5 m box of 2060 is PHC 2060X5MTR. One connecting link is contained per chain. For additional links, add "C/L" for "connecting" and "O/L" for "offset" to the designation.

Double pitch chains

Transmission attachments



K-1



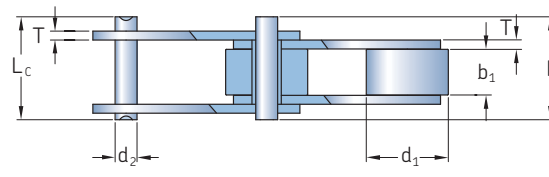
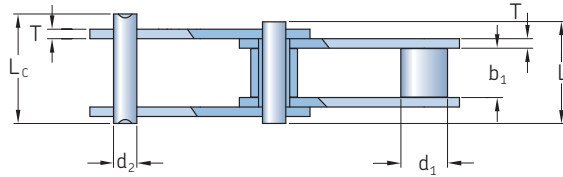
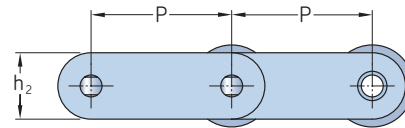
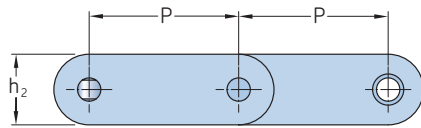
SK-1

ANSI Chain number	BS/ISO Chain number	Dimensions Pitch										Designation
		P	G	F1	W	h ₄	d ₄	C	F ₂	d ₅		
-	-	mm										-
2040	208A	25,40	19,1	25,4	39,6	9,1	3,4	11,1	20,5	5,5	PHC 2040...	
2050	210A	31,75	23,8	31,8	49,0	11,1	5,5	14,3	25,0	6,6	PHC 2050...	
2060	212A	38,10	28,6	42,9	67,8	14,7	5,5	17,5	32,9	9,2	PHC 2060...	
2080	216A	50,80	38,1	55,6	87,8	19,1	6,8	22,2	43,5	11,0	PHC 2080...	
2100	220A	63,50	47,6	66,6	107,5	23,4	9,2	28,6	50,4	13,0	PHC 2100...	
2120	224A	76,20	57,2	79,3	121,4	27,8	10,5	33,3	55,5	15,0	PHC 2120...	
-	208B	25,40	23,2	25,4	39,6	9,1	4,5	11,1	20,5	5,5	PHC 208B...	
-	210B	31,75	23,8	31,8	49,0	11,1	5,5	-	-	-	PHC 210B...	
-	212B	38,10	35,0	38,1	57,0	14,7	6,6	-	-	-	PHC 212B...	
-	216B	50,80	44,0	50,8	84,0	19,1	6,6	-	-	-	PHC 216B...	
-	220B	63,50	52,0	63,5	104,0	23,4	8,4	-	-	-	PHC 220B...	
-	224B	76,20	60,0	76,2	120,0	27,8	10,5	-	-	-	PHC 224B...	

To complete designation, add attachment spacing and type followed by chain length. For example, PHC 2060-L1K1X10FT (2060 chain with K-1 attachment on every link, 10 ft. length). Note: Also available in stainless steel. When ordering, add SS after the chain number. For example, PHC 2060SS-L1K1X10FT.

Conveyor chains

C series



Small roller type

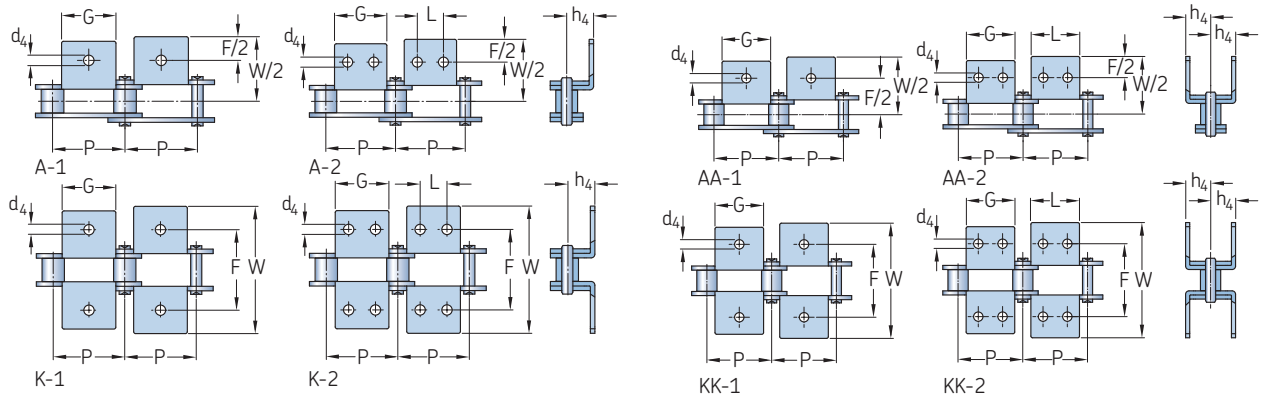
Large roller type

ANSI Chain number	BS/ISO Chain number	Dimensions		Roller diameter d ₁ Max.	Width between inner plates b ₁ Max.	Pin diameter d ₂ Max.	Pin length		Inner plate height h ₂ Max.	Plate thickness T Max.	Ultimate tensile strength Q Min.	Average tensile strength Q ₀	Mass per meter	Designation							
		Pitch P					L Max.	L _c Max.													
-														mm		kN		kg/m		-	
C2040	C208A	25,40	7,95	7,85	3,96	16,6	17,8	12,0	1,50	14,1	16,7	0,50	PHC C2040...								
C2042	C208AL	25,40	15,88	7,85	3,96	16,6	17,8	12,0	1,50	14,1	16,7	0,84	PHC C2042...								
C2040H	C208AH	25,40	7,95	7,85	3,96	18,8	19,9	12,0	2,03	14,1	17,2	0,65	PHC C2040H...								
C2050	C210A	31,75	10,16	9,40	5,08	20,7	22,2	15,0	2,03	22,2	28,1	0,78	PHC C2050...								
C2052	C210AL	31,75	19,05	9,40	5,08	20,7	22,2	15,0	2,03	22,2	28,1	1,27	PHC C2052...								
C2060	C212A	38,10	11,91	12,57	5,94	25,9	27,7	18,0	2,42	31,8	36,8	1,12	PHC C2060...								
C2062	C212AL	38,10	22,23	12,57	5,94	25,9	27,7	18,0	2,42	31,8	36,8	1,61	PHC C2062...								
C2060H	C212AH	38,10	11,91	12,57	5,94	29,2	31,6	18,0	3,25	31,8	41,6	1,44	PHC C2060H...								
C2062H	C212AHL	38,10	22,23	12,57	5,94	29,2	31,6	18,0	3,25	31,8	41,6	2,07	PHC C2062H...								
C2080	C216A	50,80	15,88	15,75	7,92	32,7	36,5	24,0	3,25	56,7	65,7	2,08	PHC C2080...								
C2082	C216AL	50,80	28,58	15,75	7,92	32,7	36,5	24,0	3,25	56,7	65,7	3,12	PHC C2082...								
C2080H	C216AH	50,80	15,88	15,75	7,92	36,2	39,4	24,0	4,00	56,7	70,0	2,54	PHC C2080H...								
C2082H	C216AHL	50,80	28,58	15,75	7,92	36,2	39,4	24,0	4,00	56,7	70,0	3,58	PHC C2082H...								
C2100	C220A	63,50	19,05	18,90	9,53	40,4	44,7	30,0	4,00	88,5	102,6	3,01	PHC C2100...								
C2102	C220AL	63,50	39,67	18,90	9,53	40,4	44,7	30,0	4,00	88,5	102,6	4,83	PHC C2102...								
C2100H	C220AH	63,50	19,05	18,90	9,53	43,6	46,9	30,0	4,80	88,5	112,4	3,56	PHC C2100H...								
C2102H	C220AHL	63,50	39,67	18,90	9,53	43,6	46,9	30,0	4,80	88,5	112,4	5,38	PHC C2102H...								
C2120	C224A	76,20	22,23	25,22	11,10	50,3	54,3	35,7	4,80	127,0	147,3	4,66	PHC C2120...								
C2122	C224AL	76,20	44,45	25,22	11,10	50,3	54,3	35,7	4,80	127,0	147,3	7,66	PHC C2122...								
C2120H	C224AH	76,20	22,23	25,22	11,10	53,5	57,5	35,7	5,60	127,0	160,9	5,26	PHC C2120H...								
C2122H	C224AHL	76,20	44,45	25,22	11,10	53,5	57,5	35,7	5,60	127,0	160,9	8,26	PHC C2122H...								
C2160	C232A	101,60	28,58	31,75	14,27	64,8	69,6	47,8	6,40	226,8	278,9	8,15	PHC C2160...								
C2162	C232AL	101,60	57,15	31,75	14,27	64,8	69,6	47,8	6,40	226,8	278,9	13,00	PHC C2162...								
C2160H	C232AH	101,60	28,58	31,75	14,27	68,2	73,0	47,8	7,20	226,8	285,8	9,06	PHC C2160H...								
C2162H	C232AHL	101,60	57,15	31,75	14,27	68,2	73,0	47,8	7,20	226,8	285,8	12,77	PHC C2162H...								

Standard lengths are 10 ft. and 5 m. To complete designation, add chain length. For example, a 5 m box of 2060-1 is PHC C2060X5MTR.
 For ordering a special roller type add letter after pitch size (s for small rollers and p for large rollers). For example, to order C2040 with 25,40 mm pitch with small rollers in 10 ft. length, use designation PHC C2040-25,4SX10FT.
 One connecting link is contained per chain. For additional links, add "C/L" for "connecting" and "O/L" for "offset" to the designation.

Conveyor chain C series attachments

A-1 | A-2 | K-1 | K-2 | AA-1 | AA-2 | KK-1 | KK-2



ANSI Chain number	BS/ISO Chain number	Dimensions							Designation
		P	G	L	F	W	h ₄	d ₄	
		mm							
C2040*	C208A	25,4	19,1	9,5	25,4	39,6	9,1	3,4	PHC C2040...
C2042*	C208AL	25,4	19,1	9,5	25,4	39,6	9,1	3,4	PHC C2042...
C2050*	C210A	31,8	23,8	11,9	31,8	49,0	11,1	5,5	PHC C2050...
C2052*	C210AL	31,8	23,8	11,9	31,8	49,0	11,1	5,5	PHC C2052...
C2060*	C212A	38,1	28,6	14,3	42,9	67,8	14,7	5,5	PHC C2060...
C2062*	C212AL	38,1	28,6	14,3	42,9	67,8	14,7	5,5	PHC C2062...
C2060H*	C212AH	38,1	28,6	14,3	42,9	67,8	14,7	5,5	PHC C2060H...
C2062H*	C212AHL	38,1	28,6	14,3	42,9	67,8	14,7	5,5	PHC C2062H...
C2080*	C216A	50,8	38,1	19,1	55,6	87,8	19,1	6,8	PHC C2080...
C2082*	C216AL	50,8	38,1	19,1	55,6	87,8	19,1	6,8	PHC C2082...
C2080H*	C216AH	50,8	38,1	19,1	55,6	87,8	19,1	6,8	PHC C2080H...
C2082H*	C216AHL	50,8	38,1	19,1	55,6	87,8	19,1	6,8	PHC C2082H...
C2100	C220A	63,5	47,6	23,8	66,6	107,5	23,4	9,2	PHC C2100...
C2102	C220AL	63,5	47,6	23,8	66,6	107,5	23,4	9,2	PHC C2102...
C2100H	C220AH	63,5	47,6	23,8	66,6	107,5	23,4	9,2	PHC C2100H...
C2102H	C220AHL	63,5	47,6	23,8	66,6	107,5	23,4	9,2	PHC C2102H...
C2120	C224A	76,2	57,2	28,6	79,3	121,4	27,8	11,0	PHC C2120...
C2122	C224AL	76,2	57,2	28,6	79,3	121,4	27,8	11,0	PHC C2122...
C2120H	C224AH	76,2	57,2	28,6	79,3	121,4	27,8	11,0	PHC C2120H...
C2122H	C224AHL	76,2	57,2	28,6	79,3	121,4	27,8	11,0	PHC C2122H...
C2160	C232A	101,6	76,2	38,1	104,7	151,6	36,5	13,1	PHC C2160...
C2162	C232AL	101,6	76,2	38,1	104,7	151,6	36,5	13,1	PHC C2162...
C2160H	C232AH	101,6	76,2	38,1	104,7	151,6	36,5	13,1	PHC C2160H...
C2162H	C232AHL	101,6	76,2	38,1	104,7	151,6	36,5	13,1	PHC C2162H...

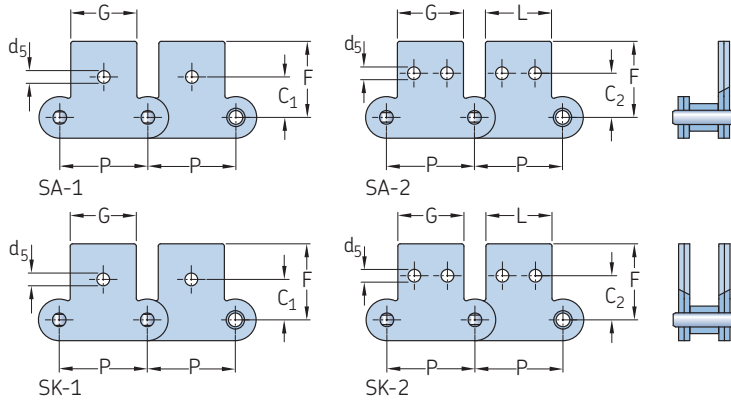
* For these chains AA-1, AA-2, KK-1 and KK-2 attachments are available.

To complete designation, add attachment spacing and type followed by chain length. For example, PHC C2060-L2A1X10FT (C2060 with A-1 attachment on every second link, 10 ft. length).

Note: Also available in stainless steel. When ordering, add SS after the chain number. For example, PHC C2060SS-L2A1X10FT.

Conveyor chain C series attachments

SA-1 | SA-2 | SK-1 | SK-2

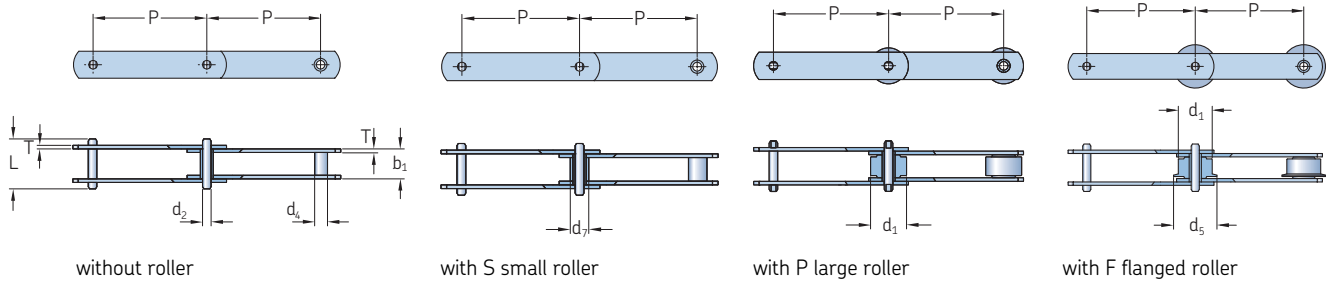


ANSI Chain number	BS/ISO Chain number	Dimensions								Designation
		P	G	L	C ₁	C ₂	F	d ₄	d ₅	
-		mm								-
C2040	C208A	25,4	19,1	9,5	11,1	13,5	20,5	3,4	5,5	PHC C2040...
C2042	C208AL	25,4	19,1	9,5	11,1	13,5	20,5	3,4	5,5	PHC C2042...
C2050	C210A	31,8	23,8	11,9	14,3	15,9	25,0	5,5	6,6	PHC C2050...
C2052	C210AL	31,8	23,8	11,9	14,3	15,9	25,0	5,5	6,6	PHC C2052...
C2060	C212A	38,1	28,6	14,3	17,5	19,1	32,9	5,5	9,2	PHC C2060...
C2062	C212AL	38,1	28,6	14,3	17,5	19,1	32,9	5,5	9,2	PHC C2062...
C2060H	C212AH	38,1	28,6	14,3	17,5	19,1	32,9	5,5	9,2	PHC C2060H...
C2062H	C212AHL	38,1	28,6	14,3	17,5	19,1	32,9	5,5	9,2	PHC C2062H...
C2080	C216A	50,8	38,1	19,1	22,2	25,4	43,5	6,6	11,0	PHC C2080...
C2082	C216AL	50,8	38,1	19,1	22,2	25,4	43,5	6,6	11,0	PHC C2082...
C2080H	C216AH	50,8	38,1	19,1	22,2	25,4	43,5	6,6	11,0	PHC C2080H...
C2082H	C216AHL	50,8	38,1	19,1	22,2	25,4	43,5	6,6	11,0	PHC C2082H...
C2100	C220A	63,5	47,6	23,8	28,6	31,8	50,4	8,4	13,0	PHC C2100...
C2102	C220AL	63,5	47,6	23,8	28,6	31,8	50,4	8,4	13,0	PHC C2102...
C2100H	C220AH	63,5	47,6	23,8	28,6	31,8	50,4	8,4	13,0	PHC C2100H...
C2102H	C220AHL	63,5	47,6	23,8	28,6	31,8	50,4	8,4	13,0	PHC C2102H...

To complete designation, add attachment spacing and type followed by chain length. For example, PHC C2060-1-L5SK2X10FT (C2060-1 with SK-2 attachment on every fifth link, 10 ft. length). Note: Also available in stainless steel. When ordering, add SS after the chain number. For example, PHC C2060-1SS-L5SK2X10FT.

Conveyor chains

M series



BS/ISO Chain number	Pitch sizes available													
	P													
	mm													
M20	40*	50	63	80	100	125	160	-	-	-	-	-	-	-
M28	-	50*	63	80	100	125	160	200	-	-	-	-	-	-
M40	-	-	63	80	100	125	160	200	250	-	-	-	-	-
M56	-	-	63*	80	100	125	160	200	250	-	-	-	-	-
M80	-	-	-	80	100	125	160	200	250	315	-	-	-	-
M112	-	-	-	80*	100	125	160	200	250	315	400	-	-	-
M160	-	-	-	-	100*	125	160	200	250	315	400	500	-	-
M224	-	-	-	-	-	125*	160	200	250	315	400	500	630	-
M315	-	-	-	-	-	-	160*	200	250	315	400	500	630	-
M450	-	-	-	-	-	-	-	200	250	315	400	500	630	800

* Only available with small roller or without roller.

BS/ISO Chain number	Dimensions			Bush diameter d ₄ Max.	Width between inner plates b ₁ Max.	Pin diameter d ₂ Max.	Pin length L Max.	Plate height h ₂ Max.	Plate thickness T Max.	Ultimate tensile strength Q Min.	Average tensile strength Q ₀	Designation
	Roller diameter d ₁ Max.	d ₇ Max.	d ₅ Max.									
-	mm											-
M20A	25	12,5	32	9,0	16	6,0	35	19	2,5	20	25,0	PHC M20A...
M28A	30	15,0	36	10,0	18	7,0	40	21	3,0	28	35,0	PHC M28A...
M40A	36	18,0	42	12,5	20	8,5	45	26	3,5	40	50,0	PHC M40A...
M56A	42	21,0	50	15,0	24	10,0	52	31	4,0	56	70,0	PHC M56A...
M80A	50	25,0	60	18,0	28	12,0	62	36	5,0	80	100,0	PHC M80A...
M112A	60	30,0	70	21,0	32	15,0	73	41	6,0	112	140,0	PHC M112A...
M160A	70	36,0	85	25,0	37	18,0	85	51	7,0	160	200,0	PHC M160A...
M224A	85	42,0	100	30,0	43	21,0	98	62	8,0	224	280,0	PHC M224A...
M315A	100	50,0	120	36,0	48	25,0	112	72	10,0	315	393,7	PHC M315A...
M450A	120	60,0	140	42,0	56	30,0	135	82	12,0	450	562,5	PHC M450A...

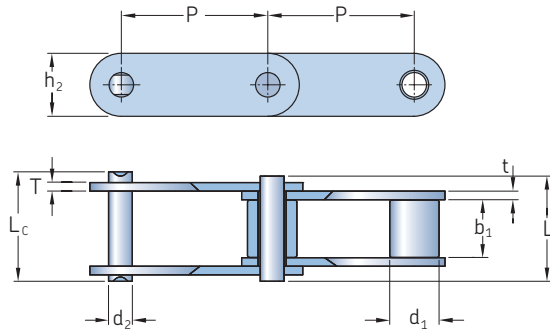
Standard lengths are 10 ft. and 5 m. To complete designation, add pitch size and chain length. For example, to order M20A with 40 mm pitch without roller in 10 ft. length, use designation PHC M20A-40X10FT.

For ordering a special roller type, add letter after pitch size (s for small roller, p for large roller and f for flanged roller). For example, to order M20A with 40 mm pitch with small roller in 10 ft length, use designation PHC M20A-40SX10FT.

One connecting link is contained per chain. For additional links, add "C/L" for "connecting" and "O/L" for "offset" to the designation.

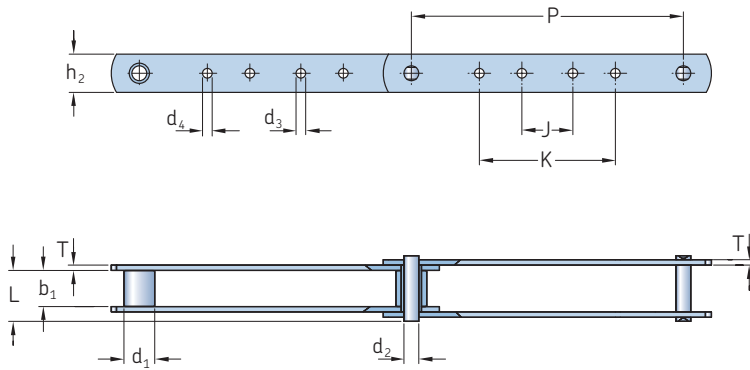
Conveyor chains

Lumber mill series | 3939 series



Chain number	Dimensions										Ultimate tensile strength Q Min.	Average tensile strength Q ₀	Mass per meter	Designation
	Pitch P	Roller diameter d ₁ Max.	Width between inner plates b ₁ Min.	Pin diameter d ₂ Max.	Pin length L Max.	L _c Max.	Inner plate height h ₂ Max.	Plate thickness t Max.	T Max.					
-	mm										kN	kg/m	-	
81X	66,27	23,0	27,00	11,10	49,0	53,5	28,50	4,00	4,00	106,7	128,9	3,78	PHC 81X...	
81XH	66,27	23,0	27,78	11,10	60,7	65,1	31,35	7,94	5,55	151,9	175,7	5,88	PHC 81XH...	
81XHH	66,27	23,0	27,78	11,10	65,6	70,0	31,35	7,94	7,94	191,1	212,6	6,70	PHC 81XHH...	
81XHS	66,27	23,0	27,00	11,10	63,6	68,0	31,80	7,60	7,60	152,0	177,2	6,55	PHC 81XHS...	
500R	50,00	25,4	25,40	14,63	52,0	56,4	40,00	5,00	5,00	100,0	114,5	7,13	PHC 500R...	
441.100R	100,00	25,4	25,40	14,63	52,0	56,4	40,00	5,00	5,00	100,0	114,5	5,15	PHC 441.100R...	

Standard lengths are 10 ft. and 5 m. To complete designation, add chain length. For example, a 5 m box of 81X is PHC 81X5MTR. One connecting link is contained per chain. For additional links, add "C/L" for "connecting" and "O/L" for "offset" to the designation.

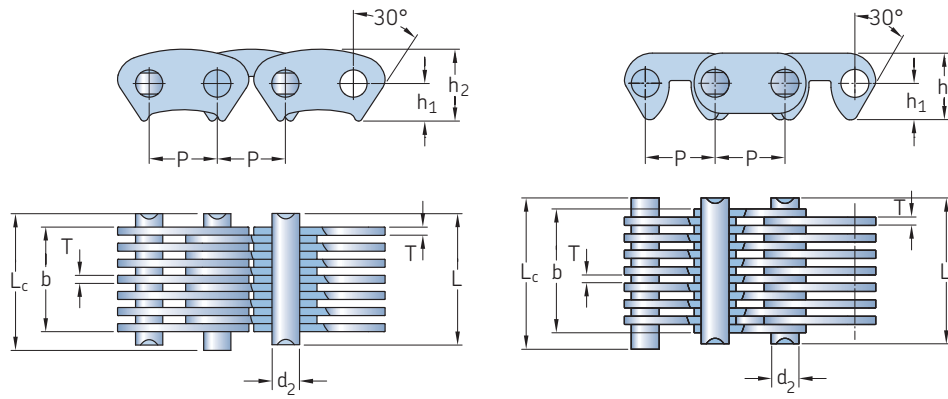


Chain number	Dimensions										Ultimate tensile strength Q Min.	Average tensile strength Q ₀	Mass per meter	Designation	
	Pitch P	Roller diameter d ₁ Max.	Width between inner plates b ₁ Min.	Pin diameter d ₂ Max.	Pin length L Max.	Inner plate height h ₂ Max.	d ₃ Max.	d ₄ Max.	J Max.	K Max.					Plate thickness T Max.
-	mm										kN	kg/m	-		
3939-B4	203,2	23	27	11,1	49	28,58	7,2	7,2	38,1	101,6	4	115,58	136,5	2,45	PHC 3939-B4...
3939-B21	203,2	23	27	11,1	49	28,58	7,2	-	38,1	-	4	115,58	136,5	2,45	PHC 3939-B21...
3939-B23	203,2	23	27	11,1	49	28,58	-	10,3	-	92,1	4	115,58	136,5	2,45	PHC 3939-B23...
3939-B24	203,2	23	27	11,1	49	28,58	-	7,2	-	101,6	4	115,58	136,5	2,48	PHC 3939-B24...
3939-B40	203,2	23	27	11,1	49	28,58	-	10,3	-	101,6	4	115,58	136,5	2,45	PHC 3939-B40...
3939-B43	203,2	23	27	11,1	49	28,58	7,2	10,3	38,1	92,1	4	115,58	136,5	2,42	PHC 3939-B43...
3939-B44	203,2	23	27	11,1	49	28,58	7,2	10,3	38,1	101,6	4	115,58	136,5	2,45	PHC 3939-B44...

Standard lengths are 10 ft. and 5 m. To complete designation, add chain length. For example, a 5 m box of 3939-B4 is PHC 3939-B4X5MTR. One connecting link is contained per chain. For additional links, add "C/L" for "connecting" and "O/L" for "offset" to the designation.

Silent chains

Flank contact | Crotch contact

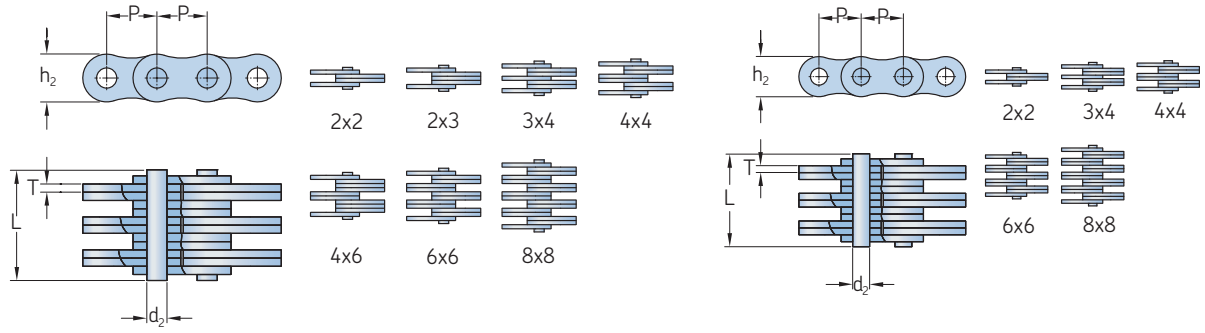


Contact type	Chain number	Dimensions		Pin diameter d ₂ Max.	Pin length		Distance from hole center to tooth h ₁ Max.	Plate height h ₂ Max.	Plate thickness T Max.	Guide form	Number of plates	Ultimate tensile strength Q Min.	Average tensile strength Q ₀	Mass per meter	Designation
		Pitch P	Chain width b Min.		L Max.	L _c Max.									
		mm										kN		kg/m	
Flank	CL06-13.5	9,53	13,5	3,95	18,5	20,0	5,30	10,0	1,5	Outside	9	10,0	11,2	0,60	PHC CL06-13.5...
	CL06-16.5	9,53	16,5	3,95	21,5	23,0	5,30	10,0	1,5	Outside	11	12,5	14,0	0,73	PHC CL06-16.5...
	CL06-19.5	9,53	19,5	3,95	24,5	26,0	5,30	10,0	1,5	Outside	13	15,0	16,8	0,85	PHC CL06-19.5...
	CL06-22.5	9,53	22,5	3,95	27,5	29,0	5,30	10,0	1,5	Outside	15	17,5	19,6	1,00	PHC CL06-22.5...
	CL06-28.5	9,53	28,5	3,95	33,5	35,0	5,30	10,0	1,5	Inside	19	22,5	25,2	1,26	PHC CL06-28.5...
	CL08-19.5	12,70	19,5	5,08	24,5	26,0	7,00	13,4	1,5	Outside	13	23,4	26,2	1,15	PHC CL08-19.5...
	CL08-22.5	12,70	22,5	5,08	27,5	29,0	7,00	13,4	1,5	Outside	15	27,4	30,6	1,33	PHC CL08-22.5...
	CL08-25.5	12,70	25,5	5,08	30,5	32,0	7,00	13,4	1,5	Outside	17	31,3	35,0	1,50	PHC CL08-25.5...
	CL08-28.5	12,70	28,5	5,08	33,5	35,0	7,00	13,4	1,5	Inside	19	35,2	39,4	1,68	PHC CL08-28.5...
	CL08-34.5	12,70	34,5	5,08	39,5	41,0	7,00	13,4	1,5	Inside	23	43,0	48,1	2,04	PHC CL08-34.5...
	CL08-40.5	12,70	40,5	5,08	45,5	47,0	7,00	13,4	1,5	Inside	27	50,8	56,8	2,39	PHC CL08-40.5...
	CL08-46.5	12,70	46,5	5,08	51,5	53,0	7,00	13,4	1,5	Inside	31	58,6	65,6	2,74	PHC CL08-46.5...
	CL08-52.5	12,70	52,5	5,08	57,5	59,0	7,00	13,4	1,5	Inside	35	66,4	74,3	3,10	PHC CL08-52.5...
	CL10-30.0	15,88	30,0	5,92	37,0	38,2	8,70	16,7	2,0	Inside	15	45,6	50,6	2,21	PHC CL10-30.0...
	CL10-38.0	15,88	38,0	5,92	45,0	46,2	8,70	16,7	2,0	Inside	19	58,6	65,0	2,80	PHC CL10-38.0...
	CL10-46.0	15,88	46,0	5,92	53,0	54,2	8,70	16,7	2,0	Inside	23	71,7	79,5	3,39	PHC CL10-46.0...
	CL10-54.0	15,88	54,0	5,92	61,0	62,4	8,70	16,7	2,0	Inside	27	84,7	94,0	3,99	PHC CL10-54.0...
	CL10-62.0	15,88	62,0	5,92	69,0	70,4	8,70	16,7	2,0	Inside	31	97,7	108,4	4,58	PHC CL10-62.0...
	CL12-38.0	19,05	38,0	6,90	45,0	46,5	10,50	20,0	2,0	Inside	19	70,0	77,6	3,37	PHC CL12-38.0...
	CL12-46.0	19,05	46,0	6,90	53,0	54,5	10,50	20,0	2,0	Inside	23	86,0	95,4	4,08	PHC CL12-46.0...
	CL12-54.0	19,05	54,0	6,90	61,0	62,8	10,50	20,0	2,0	Inside	27	102,0	113,2	4,78	PHC CL12-54.0...
	CL12-62.0	19,05	62,0	6,90	69,0	70,8	10,50	20,0	2,0	Inside	31	117,0	129,8	5,50	PHC CL12-62.0...
	CL12-70.0	19,05	70,0	6,90	77,0	78,8	10,50	20,0	2,0	Inside	35	133,0	147,6	6,20	PHC CL12-70.0...
	CL16-45.0	25,40	45,0	8,90	52,0	53,5	14,00	26,7	3,0	Inside	15	111,0	123,2	5,31	PHC CL16-45.0...
	CL16-51.0	25,40	51,0	8,90	58,0	59,5	14,00	26,7	3,0	Inside	17	125,0	138,7	6,02	PHC CL16-51.0...
	CL16-57.0	25,40	57,0	8,90	64,0	65,5	14,00	26,7	3,0	Inside	19	141,0	156,5	6,37	PHC CL16-57.0...
	CL16-69.0	25,40	69,0	8,90	76,2	77,7	14,00	26,7	3,0	Inside	23	172,0	190,9	8,15	PHC CL16-69.0...
	CL16-81.0	25,40	81,0	8,90	88,2	89,7	14,00	26,7	3,0	Inside	27	203,0	225,3	9,57	PHC CL16-81.0...
	CL16-93.0	25,40	93,0	8,90	100,2	101,7	14,00	26,7	3,0	Inside	31	235,0	260,8	10,98	PHC CL16-93.0...
	CL20-57.0	31,75	57,0	10,84	66,6	69,6	17,50	33,4	3,0	Inside	19	165,0	183,1	8,42	PHC CL20-57.0...
CL20-69.0	31,75	69,0	10,84	78,6	81,6	17,50	33,4	3,0	Inside	23	201,0	223,1	10,19	PHC CL20-69.0...	
CL20-81.0	31,75	81,0	10,84	90,6	93,6	17,50	33,4	3,0	Inside	27	237,0	263,2	11,96	PHC CL20-81.0...	
CL20-93.0	31,75	93,0	10,84	102,6	105,6	17,50	33,4	3,0	Inside	31	273,0	303,0	13,73	PHC CL20-93.0...	
CL20-105.0	31,75	105,0	10,84	114,6	117,6	17,50	33,4	3,0	Inside	35	310,0	341,0	15,50	PHC CL20-	
CL20-117.0	31,75	117,0	10,84	126,6	129,6	17,50	33,4	3,0	Inside	39	346,0	380,6	17,27	PHC CL20-	
Crotch	C4-120	12,70	19,5	5,08	24,5	26,0	6,62	12,1	1,5	Inside	13	20,0	22,2	1,20	PHC C4-120...
	C4-123	12,70	22,5	5,08	27,5	29,0	6,62	12,1	1,5	Inside	15	23,0	25,5	1,37	PHC C4-123...
	C4-129	12,70	28,5	5,08	33,5	35,0	6,62	12,1	1,5	Inside	19	28,5	31,6	1,72	PHC C4-129...
	C4-132	12,70	31,5	5,08	35,5	38,0	6,62	12,1	1,5	Inside	21	31,5	34,9	1,89	PHC C4-132...
	C4-138	12,70	37,5	5,08	42,5	44,0	6,62	12,1	1,5	Inside	25	38,0	42,1	2,22	PHC C4-138...
	C4-150	12,70	49,5	5,08	54,5	56,0	6,62	12,1	1,5	Inside	33	50,0	55,5	2,90	PHC C4-150...
	C4-320	12,70	19,5	5,08	24,5	26,0	6,62	12,1	1,5	Outside	13	20,0	22,2	1,21	PHC C4-320...
	C4-323	12,70	22,5	5,08	27,5	29,0	6,62	12,1	1,5	Outside	15	23,0	25,5	1,38	PHC C4-323...
	C4-329	12,70	28,5	5,08	33,5	35,0	6,62	12,1	1,5	Outside	19	28,5	31,6	1,73	PHC C4-329...
	C4-332	12,70	31,5	5,08	36,5	38,0	6,62	12,1	1,5	Outside	21	31,5	34,9	1,90	PHC C4-332...
	C4-338	12,70	37,5	5,08	42,5	44,0	6,62	12,1	1,5	Outside	25	38,0	42,1	2,23	PHC C4-338...

Standard lengths are 10 ft. and 5 m. To complete designation, add chain length. For example, a 5m box of CL06-13.5 is PHC CL06-13.5X5MTR. One connecting link is contained per chain. For additional links, add "C/L" for "connecting" and "O/L" for "offset" to the designation.

Leaf chains

ANSI BL422-BL2088 | ANSI AL322-AL1688



ANSI Chain number	BS/ISO Chain number	Dimensions		Pin diameter d_2 Max.	Pin length L Max.	Plate height h_2 Max.	Plate thickness T Max.	Ultimate tensile strength Q Min.	Average tensile strength Q_0	Mass per meter	Designation
		Pitch P	Plate lacing								
-	-	mm	-	mm				kN		kg/m	-
BL422	LH0822	12,70	2 x 2	5,09	11,05	12,07	2,08	22,2	27,6	0,64	PHC BL422...
BL423	LH0823	12,70	2 x 3	5,09	13,16	12,07	2,08	22,2	27,6	0,80	PHC BL423...
BL434	LH0834	12,70	3 x 4	5,09	17,40	12,07	2,08	33,4	41,4	1,12	PHC BL434...
BL444	LH0844	12,70	4 x 4	5,09	19,51	12,07	2,08	44,5	56,0	1,28	PHC BL444...
BL446	LH0846	12,70	4 x 6	5,09	23,75	12,07	2,08	44,5	56,0	1,60	PHC BL446...
BL466	LH0866	12,70	6 x 6	5,09	27,99	12,07	2,08	66,7	81,7	1,92	PHC BL466...
BL488	LH0888	12,70	8 x 8	5,09	36,45	12,07	2,08	89,0	109,4	2,56	PHC BL488...
BL522	LH1022	15,88	2 x 2	5,96	12,90	15,09	2,44	33,4	43,1	0,88	PHC BL522...
BL523	LH1023	15,88	2 x 2	5,96	15,37	15,09	2,44	33,4	43,1	1,10	PHC BL523...
BL534	LH1034	15,88	3 x 4	5,96	20,32	15,09	2,44	48,9	65,6	1,50	PHC BL534...
BL544	LH1044	15,88	4 x 4	5,96	22,78	15,09	2,44	66,7	84,5	1,80	PHC BL544...
BL546	LH1046	15,88	4 x 6	5,96	27,74	15,09	2,44	66,7	84,5	2,20	PHC BL546...
BL566	LH1066	15,88	6 x 6	5,96	32,69	15,09	2,44	100,1	125,1	2,65	PHC BL566...
BL588	LH1088	15,88	8 x 8	5,96	42,57	15,09	2,44	133,4	169,5	3,50	PHC BL588...
BL622	LH1222	19,05	2 x 2	7,94	17,37	18,11	3,30	48,9	63,6	1,45	PHC BL622...
BL623	LH1223	19,05	2 x 3	7,94	20,73	18,11	3,30	48,9	63,6	1,80	PHC BL623...
BL634	LH1234	19,05	3 x 4	7,94	27,43	18,11	3,30	75,6	102,8	2,50	PHC BL634...
BL644	LH1244	19,05	4 x 4	7,94	30,78	18,11	3,30	97,9	120,9	2,90	PHC BL644...
BL646	LH1246	19,05	4 x 6	7,94	37,49	18,11	3,30	97,9	120,9	3,60	PHC BL646...
BL666	LH1266	19,05	6 x 6	7,94	44,20	18,11	3,30	146,8	190,8	4,30	PHC BL666...
BL688	LH1288	19,05	8 x 8	7,94	57,61	18,11	3,30	195,7	238,8	5,80	PHC BL688...
BL822	LH1622	25,40	2 x 2	9,54	21,34	24,13	4,09	84,5	108,2	2,20	PHC BL822...
BL823	LH1623	25,40	2 x 3	9,54	25,48	24,13	4,09	84,5	108,2	2,70	PHC BL823...
BL834	LH1634	25,40	3 x 4	9,54	33,76	24,13	4,09	129,0	170,0	3,80	PHC BL834...
BL844	LH1644	25,40	4 x 4	9,54	37,90	24,13	4,09	169,0	214,6	4,30	PHC BL844...
BL846	LH1646	25,40	4 x 6	9,54	46,18	24,13	4,09	169,0	214,6	5,40	PHC BL846...
BL866	LH1666	25,40	6 x 6	9,54	54,46	24,13	4,09	253,6	324,5	6,50	PHC BL866...
BL888	LH1688	25,40	8 x 8	9,54	71,02	24,13	4,09	338,1	432,7	8,60	PHC BL888...
BL1022	LH2022	31,75	2 x 2	11,11	25,37	30,18	4,90	115,6	150,8	3,40	PHC BL1022...
BL1023	LH2023	31,75	2 x 3	11,11	30,33	30,18	4,90	115,6	150,8	4,30	PHC BL1023...
BL1034	LH2034	31,75	3 x 4	11,11	40,23	30,18	4,90	182,4	231,6	6,00	PHC BL1034...
BL1044	LH2044	31,75	4 x 4	11,11	45,19	30,18	4,90	231,3	291,4	6,90	PHC BL1044...
BL1046	LH2046	31,75	4 x 6	11,11	55,09	30,18	4,90	231,3	291,4	8,60	PHC BL1046...
BL1066	LH2066	31,75	6 x 6	11,11	65,00	30,18	4,90	347,0	430,3	10,30	PHC BL1066...
BL1088	LH2088	31,75	8 x 8	11,11	84,81	30,18	4,90	462,6	555,1	13,80	PHC BL1088...
BL1222	LH2422	38,10	2 x 2	12,71	29,62	36,20	5,77	151,2	192,0	4,60	PHC BL1222...
BL1223	LH2423	38,10	2 x 3	12,71	35,43	36,20	5,77	151,2	192,0	5,80	PHC BL1223...
BL1234	LH2434	38,10	3 x 4	12,71	47,07	36,20	5,77	244,6	315,9	8,10	PHC BL1234...
BL1244	LH2444	38,10	4 x 4	12,71	52,88	36,20	5,77	302,5	381,1	9,30	PHC BL1244...
BL1246	LH2446	38,10	4 x 6	12,71	64,52	36,20	5,77	302,5	381,1	11,60	PHC BL1246...
BL1266	LH2466	38,10	6 x 6	12,71	76,15	36,20	5,77	453,7	543,6	13,90	PHC BL1266...
BL1288	LH2488	38,10	8 x 8	12,71	99,42	36,20	5,77	605,0	726,0	18,60	PHC BL1288...
BL1422	LH2822	44,45	2 x 2	14,29	33,55	42,24	6,55	191,3	225,7	6,10	PHC BL1422...
BL1423	LH2823	44,45	2 x 3	14,29	40,16	42,24	6,55	191,3	225,7	7,60	PHC BL1423...
BL1434	LH2834	44,45	3 x 4	14,29	53,37	42,24	6,55	315,8	372,6	10,60	PHC BL1434...
BL1444	LH2844	44,45	4 x 4	14,29	59,97	42,24	6,55	382,6	451,2	12,20	PHC BL1444...
BL1446	LH2846	44,45	4 x 6	14,29	73,18	42,24	6,55	382,6	451,2	15,20	PHC BL1446...
BL1466	LH2866	44,45	6 x 6	14,29	86,39	42,24	6,55	578,3	682,4	18,20	PHC BL1466...
BL1488	LH2888	44,45	8 x 8	14,29	112,80	42,24	6,55	765,1	902,8	24,30	PHC BL1488...
BL1622	LH3222	50,80	2 x 2	17,46	39,01	48,26	7,52	289,1	341,1	8,00	PHC BL1622...
BL1623	LH3223	50,80	2 x 3	17,46	46,58	48,26	7,52	289,1	341,1	10,00	PHC BL1623...
BL1634	LH3234	50,80	3 x 4	17,46	61,72	48,26	7,52	440,4	519,6	14,00	PHC BL1634...
BL1644	LH3244	50,80	4 x 4	17,46	69,29	48,26	7,52	573,8	680,4	16,00	PHC BL1644...
BL1646	LH3246	50,80	4 x 6	17,46	84,43	48,26	7,52	573,8	680,4	20,00	PHC BL1646...

Standard lengths are 10 ft. and 5 m. To complete designation, add chain length. For example, a 5m box of BL422 is PHC BL422X5MTR. One connecting link is contained per chain. For additional links, add "C/L" for "connecting" and "O/L" for "offset" to the designation.

Leaf chains

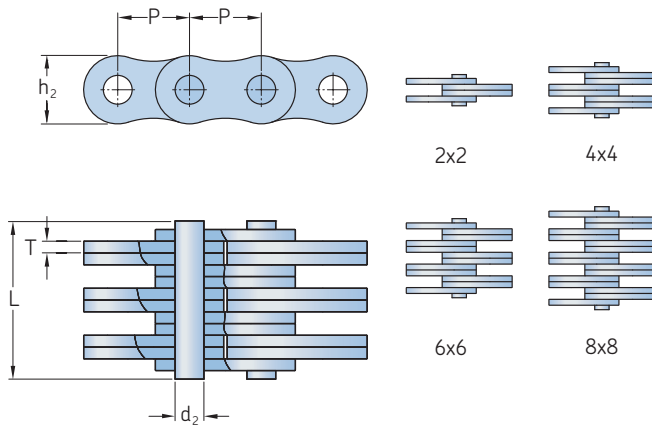
ANSI BL422-BL2088 | ANSI AL322-AL1688

ANSI Chain number	BS/ISO Chain number	Dimensions		Pin diameter d ₂ Max.	Pin length L Max.	Plate height h ₂ Max.	Plate thickness T Max.	Ultimate tensile strength Q Min.	Average tensile strength Q ₀	Mass per meter	Designation
		Pitch P	Plate lacing								
-	-	mm	-	mm	-	-	-	kN	-	kg/m	-
BL1666	LH3266	50,80	6 x 6	17,46	99,57	48,26	7,52	857,4	1 000,7	24,00	PHC BL1666...
BL1688	LH3288	50,80	8 x 8	17,46	129,84	48,26	7,52	1 156,5	1 364,6	32,00	PHC BL1688...
BL2022	LH4022	63,50	2 x 2	23,81	51,74	60,33	9,91	433,7	511,7	15,80	PHC BL2022...
BL2023	LH4023	63,50	2 x 3	23,81	61,70	60,33	9,91	433,7	511,7	19,80	PHC BL2023...
BL2034	LH4034	63,50	3 x 4	23,81	81,61	60,33	9,91	649,4	766,2	27,70	PHC BL2034...
BL2044	LH4044	63,50	4 x 4	23,81	91,57	60,33	9,91	867,4	1 023,5	31,60	PHC BL2044...
BL2046	LH4046	63,50	4 x 6	23,81	111,48	60,33	9,91	867,4	1 023,5	39,50	PHC BL2046...
BL2066	LH4066	63,50	6 x 6	23,81	131,39	60,33	9,91	1 301,1	1 535,2	47,40	PHC BL2066...
BL2088	LH4088	63,50	8 x 8	23,81	171,22	60,33	9,91	1 734,8	2 046,5	63,20	PHC BL2088...
AL322	-	9,53	2 x 2	3,58	6,80	7,70	1,30	9,0	10,2	0,23	PHC AL322...
AL344	-	9,53	4 x 4	3,58	11,60	7,70	1,30	18,0	20,0	0,46	PHC AL344...
AL422	-	12,70	2 x 2	3,96	8,30	10,40	1,50	14,1	16,9	0,39	PHC AL422...
AL444	-	12,70	4 x 4	3,96	14,40	10,40	1,50	28,2	35,2	0,74	PHC AL444...
AL466	-	12,70	6 x 6	3,96	20,50	10,40	1,50	42,3	52,7	1,13	PHC AL466...
AL522	-	15,88	2 x 2	5,08	11,05	12,80	2,03	22,0	27,5	0,64	PHC AL522...
AL534	-	15,88	3 x 4	5,08	17,00	12,80	2,03	33,0	46,0	1,10	PHC AL534...
AL544	-	15,88	4 x 4	5,08	19,40	12,80	2,03	44,0	55,0	1,25	PHC AL544...
AL566	-	15,88	6 x 6	5,08	27,50	12,80	2,03	66,0	82,5	1,79	PHC AL566...
AL622	-	19,05	2 x 2	5,94	13,00	15,60	2,42	37,0	44,4	0,86	PHC AL622...
AL644	-	19,05	4 x 4	5,94	22,70	15,60	2,42	63,7	78,8	1,76	PHC AL644...
AL666	-	19,05	6 x 6	5,94	32,20	15,60	2,42	100,1	118,6	2,60	PHC AL666...
AL688	-	19,05	8 x 8	5,94	42,20	15,60	2,42	133,4	156,6	3,49	PHC AL688...
AL822	-	25,40	2 x 2	7,92	16,00	20,50	3,25	56,7	68,6	1,54	PHC AL822...
AL844	-	25,40	4 x 4	7,92	29,40	20,50	3,25	113,4	135,6	3,00	PHC AL844...
AL866	-	25,40	6 x 6	7,92	44,20	20,50	3,25	170,0	202,3	4,46	PHC AL866...
AL1022	-	31,75	2 x 2	9,53	19,60	25,60	4,00	88,5	107,1	2,37	PHC AL1022...
AL1044	-	31,75	4 x 4	9,53	36,40	25,60	4,00	177,0	203,6	4,68	PHC AL1044...
AL1066	-	31,75	6 x 6	9,53	52,30	25,60	4,00	265,0	315,3	7,20	PHC AL1066...
AL1088	-	31,75	8 x 8	9,53	68,50	25,60	4,00	354,0	421,2	9,94	PHC AL1088...
AL1222	-	38,10	2 x 2	11,10	24,30	30,50	4,80	127,0	151,1	3,65	PHC AL1222...
AL1244	-	38,10	4 x 4	11,10	43,80	30,50	4,80	254,0	299,7	7,05	PHC AL1244...
AL1266	-	38,10	6 x 6	11,10	63,20	30,50	4,80	381,0	426,3	10,50	PHC AL1266...
AL1288	-	38,10	8 x 8	11,10	82,60	30,50	4,80	508,0	568,4	14,03	PHC AL1288...
AL1444	-	44,45	4 x 4	12,64	51,30	36,40	5,60	372,7	413,6	10,34	PHC AL1444...
AL1466	-	44,45	6 x 6	12,64	74,56	36,40	5,60	559,0	620,4	15,16	PHC AL1466...
AL1644	-	50,80	4 x 4	14,21	58,00	41,60	6,40	471,0	522,8	12,98	PHC AL1644...
AL1666	-	50,80	6 x 6	14,21	83,80	41,60	6,40	706,0	783,6	19,76	PHC AL1666...
AL1688	-	50,80	8 x 8	14,21	109,50	41,60	6,40	942,0	1 045,5	25,47	PHC AL1688...

Standard lengths are 10 ft. and 5 m. To complete designation, add chain length. For example, a 5m box of BL422 is PHC BL422X5MTR. One connecting link is contained per chain. For additional links, add "C/L" for "connecting" and "O/L" for "offset" to the designation.

Leaf chains

BS/ISO LL0822-LL4888

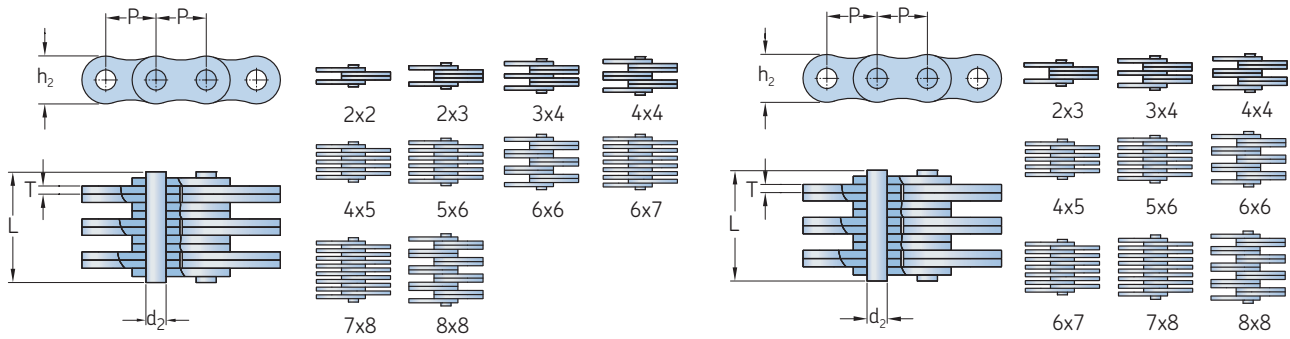


BS/ISO Chain number	Dimensions		Pin diameter d_2 Max.	Pin length L Max.	Plate height h_2 Max.	Plate thickness T Max.	Ultimate tensile strength Q Min.	Average tensile strength Q_0	Mass per meter	Designation
	Pitch	Plate lacing								
-	mm	-	mm				kN		kg/m	-
LL0822	12,70	2 x 2	4,45	8,9	10,60	1,60	18,2	20,4	0,42	PHC LL0822...
LL0844	12,70	4 x 4	4,45	15,6	10,60	1,60	36,4	40,7	0,84	PHC LL0844...
LL0866	12,70	6 x 6	4,45	22,0	10,60	1,60	54,6	60,0	1,24	PHC LL0866...
LL0888	12,70	8 x 8	4,45	28,5	10,60	1,60	72,8	80,0	1,64	PHC LL0888...
LL1022	15,88	2 x 2	5,08	9,2	13,70	1,60	22,7	25,5	0,54	PHC LL1022...
LL1044	15,88	4 x 4	5,08	15,8	13,70	1,60	45,4	51,0	1,06	PHC LL1044...
LL1066	15,88	6 x 6	5,08	22,1	13,70	1,60	68,1	76,3	1,57	PHC LL1066...
LL1088	15,88	8 x 8	5,08	28,8	13,70	1,60	90,8	101,9	2,10	PHC LL1088...
LL1222	19,05	2 x 2	5,72	10,4	16,00	1,85	29,5	33,2	0,73	PHC LL1222...
LL1244	19,05	4 x 4	5,72	17,9	16,00	1,85	59,0	66,4	1,44	PHC LL1244...
LL1266	19,05	6 x 6	5,72	25,4	16,00	1,85	88,5	99,7	2,15	PHC LL1266...
LL1288	19,05	8 x 8	5,72	32,9	16,00	1,85	118,0	132,9	2,84	PHC LL1288...
LL1622	25,40	2 x 2	8,28	17,2	21,00	3,10	58,0	66,7	1,52	PHC LL1622...
LL1644	25,40	4 x 4	8,28	29,6	21,00	3,10	116,0	140,0	2,90	PHC LL1644...
LL1666	25,40	6 x 6	8,28	42,4	21,00	3,10	174,0	208,8	4,30	PHC LL1666...
LL1688	25,40	8 x 8	8,28	54,9	21,00	3,10	232,0	278,0	5,71	PHC LL1688...
LL2022	31,75	2 x 2	10,19	20,1	26,40	3,50	95,0	109,2	2,33	PHC LL2022...
LL2044	31,75	4 x 4	10,19	33,8	26,40	3,50	190,0	218,5	4,40	PHC LL2044...
LL2066	31,75	6 x 6	10,19	50,1	26,40	3,50	285,0	324,6	6,79	PHC LL2066...
LL2088	31,75	8 x 8	10,19	64,0	26,40	3,50	380,0	435,1	8,90	PHC LL2088...
LL2422	38,10	2 x 2	14,63	28,4	33,40	5,00	170,0	195,5	4,47	PHC LL2422...
LL2444	38,10	4 x 4	14,63	46,3	33,40	5,00	340,0	380,8	8,22	PHC LL2444...
LL2466	38,10	6 x 6	14,63	66,4	33,40	5,00	510,0	571,2	12,22	PHC LL2466...
LL2488	38,10	8 x 8	14,63	86,6	33,40	5,00	680,0	775,2	16,30	PHC LL2488...
LL2822	44,45	2 x 2	15,90	32,2	37,08	6,00	200,0	224,0	5,10	PHC LL2822...
LL2844	44,45	4 x 4	15,90	56,4	37,08	6,00	400,0	448,0	9,90	PHC LL2844...
LL2866	44,45	6 x 6	15,90	80,8	37,08	6,00	600,0	672,0	14,60	PHC LL2866...
LL2888	44,45	8 x 8	15,90	105,2	37,08	6,00	800,0	896,0	19,40	PHC LL2888...
LL3222	50,80	2 x 2	17,81	34,8	42,00	6,40	260,0	291,2	6,20	PHC LL3222...
LL3244	50,80	4 x 4	17,81	60,6	42,00	6,40	520,0	582,4	12,30	PHC LL3244...
LL3266	50,80	6 x 6	17,81	86,4	42,00	6,40	780,0	873,6	18,30	PHC LL3266...
LL3288	50,80	8 x 8	17,81	112,2	42,00	6,40	1 040,0	1 176,0	24,00	PHC LL3288...
LL4022	63,50	2 x 2	22,89	42,2	52,76	8,00	360,0	403,2	10,30	PHC LL4022...
LL4044	63,50	4 x 4	22,89	74,4	52,76	8,00	780,0	873,6	20,00	PHC LL4044...
LL4066	63,50	6 x 6	22,89	106,5	52,76	8,00	1 080,0	1 209,6	30,00	PHC LL4066...
LL4088	63,50	8 x 8	22,89	140,0	52,76	8,00	1 440,0	1 747,2	39,10	PHC LL4088...
LL4822	76,20	2 x 2	29,24	54,6	63,88	10,00	560,0	627,2	18,50	PHC LL4822...
LL4844	76,20	4 x 4	29,24	92,6	63,88	10,00	1 120,0	1 554,4	35,70	PHC LL4844...
LL4866	76,20	6 x 6	29,24	133,4	63,88	10,00	1 680,0	1 880,0	53,00	PHC LL4866...
LL4888	76,20	8 x 8	29,24	174,2	63,88	10,00	2 240,0	2 508,8	70,40	PHC LL4888...

Standard lengths are 10 ft. and 5 m. To complete designation, add chain length. For example, a 5m box of LL0822 is PHC LL0822X5MTR. One connecting link is contained per chain. For additional links, add "C/L" for "connecting" and "O/L" for "offset" to the designation.

Leaf chains

FL, F19V, FLC | 12XX, 15XX, 19XX, 25XX



Chain number	Dimensions		Pin diameter d_2 Max.	Pin length L Max.	Plate height h_2 Max.	Plate thickness T Max.	Chain length over 100 pitches +/- 0,25%	Ultimate tensile strength Q Min.	Average tensile strength Q_0	Mass per meter	Designation
	Pitch P	Plate lacing									
-	mm	-	mm					kN		kg/m	-
FL644	5,94	4 x 4	1,85	6,6	4,7	0,60	-	6,50	7,8	0,13	PHC FL644...
FL666	5,94	6 x 6	1,85	9,3	4,7	0,60	-	9,75	11,8	0,20	PHC FL666...
FL688	5,94	8 x 8	1,85	12,0	4,7	0,60	-	13,00	15,6	0,25	PHC FL688...
FL844	8,00	4 x 4	2,31	7,9	6,9	0,73	-	10,00	12,1	0,25	PHC FL844...
FL944	9,53	4 x 4	3,28	10,4	8,7	1,04	-	21,00	24,7	0,43	PHC FL944...
FL966	9,53	6 x 6	3,28	14,9	8,7	1,00	-	31,00	36,8	0,65	PHC FL966...
F122	12,70	2 x 2	3,58	7,0	8,2	1,00	-	11,43	13,6	0,19	PHC F122...
F1223	12,70	2 x 3	4,45	12,8	10,2	2,03	-	20,00	23,8	0,61	PHC F1223...
F1244	12,70	4 x 4	4,45	16,7	10,2	1,70	-	44,00	52,3	0,83	PHC F1244...
F19V-44	19,05	4 x 4	6,50	22,4	15,2	2,42	-	71,00	84,3	1,73	PHC F19V-44...
F19V-66	19,05	6 x 6	6,50	32,3	15,2	2,42	-	106,00	125,9	2,57	PHC F19V-66...
FLC534	15,88	3 x 4	5,08	15,3	12,7	1,85	-	40,40	44,4	0,99	PHC FLC534...
FLC545	15,88	4 x 5	5,08	19,2	12,7	1,85	-	54,30	59,7	1,27	PHC FLC545...
FLC556	15,88	5 x 6	5,08	22,7	12,7	1,85	-	67,60	74,3	1,54	PHC FLC556...
FLC1056	31,75	5 x 6	9,53	40,6	25,4	3,25	-	137,90	151,0	5,44	PHC FLC1056...
FLC1067	31,75	6 x 7	9,53	47,2	25,4	3,25	-	165,40	181,9	6,42	PHC FLC1067...
FLC1078	31,75	7 x 8	9,53	53,8	25,4	3,25	-	193,00	212,0	7,40	PHC FLC1078...
1234	12,70	3 x 4	4,45	14,2	10,6	1,70	1 262	31,00	-	0,75	PHC 1234...
1256	12,70	5 x 6	4,45	21,1	10,6	1,70	1 262	53,00	-	1,17	PHC 1256...
1288	12,70	8 x 8	4,45	29,9	10,6	1,70	1 262	85,00	-	1,70	PHC 1288...
1523	15,88	2 x 3	5,08	12,1	12,7	1,94	1 580	29,00	-	0,75	PHC 1523...
1534	15,88	3 x 4	5,08	16,0	12,7	1,94	1 580	46,00	-	1,04	PHC 1534...
1544	15,88	4 x 4	5,08	18,1	12,7	1,94	1 580	58,00	-	1,18	PHC 1544...
1545	15,88	4 x 6	5,08	20,3	12,7	1,94	1 580	58,00	-	1,33	PHC 1545...
1556	15,88	5 x 6	5,08	24,0	12,7	1,94	1 580	72,00	-	1,63	PHC 1556...
1566	15,88	6 x 6	5,08	26,2	12,7	1,94	1 580	87,00	-	1,77	PHC 1566...
1567	15,88	6 x 7	5,08	28,0	12,7	1,94	1 580	90,00	-	1,91	PHC 1567...
1578	15,88	7 x 8	5,08	32,5	12,7	1,94	1 580	101,00	-	2,20	PHC 1578...
1588	15,88	8 x 8	5,08	34,0	12,7	1,94	1 580	115,00	-	2,34	PHC 1588...
1944	19,05	4 x 4	5,72	21,3	15,0	2,29	1 891	73,00	-	1,58	PHC 1944...
1966	19,05	6 x 6	5,72	30,7	15,0	2,29	1 891	110,00	-	2,37	PHC 1966...
1988	19,05	8 x 8	5,72	40,0	15,0	2,29	1 891	140,00	-	3,13	PHC 1988...
2523	25,40	2 x 3	8,28	18,8	20,2	3,06	2 532	72,00	-	1,83	PHC 2523...
2534	25,40	3 x 4	8,28	25,3	20,2	3,06	2 532	108,00	-	2,55	PHC 2534...
2545	25,40	4 x 5	8,28	31,6	20,2	3,06	2 532	144,00	-	3,26	PHC 2545...
2556	25,40	5 x 6	8,28	37,2	20,2	3,06	2 532	180,00	-	3,96	PHC 2556...
2567	25,40	6 x 7	8,28	43,8	20,2	3,06	2 532	216,00	-	4,68	PHC 2567...
2578	25,40	7 x 8	8,28	50,0	20,2	3,06	2 532	252,00	-	5,39	PHC 2578...
2588	25,40	8 x 8	8,28	52,8	20,2	3,06	2 532	290,00	-	5,77	PHC 2588...

Standard lengths are 10 ft. and 5 m. To complete designation, add chain length. For example, a 5m box of FL644 is PHC FL644X5MTR. One connecting link is contained per chain. For additional links, add "C/L" for "connecting" and "O/L" for "offset" to the designation.



Couplings



Grid couplings 96



Gear couplings 101



SKF Flex couplings 111



SKF Flex spacer coupling 114



Chain couplings 116



Rigid couplings 118



FRC couplings 120



Jaw couplings 122



Universal joints 124

Grid couplings

In high output (kW) and high torque applications where vibration, shock loads and misalignment occur, SKF grid couplings are an excellent choice.

The unique design of the grid and hub teeth enable these couplings to accommodate movement and stresses from all three planes, thereby reducing vibration levels by as much as 30%.

The tapered grid element is manufactured from a high strength alloy steel. The grid, which is the primary wear component of the coupling, is designed for quick and easy replacement. Unlike other couplings, the hubs and other components are not disturbed. This makes realignment unnecessary and further reduces downtime and maintenance costs.

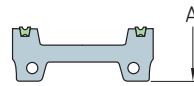
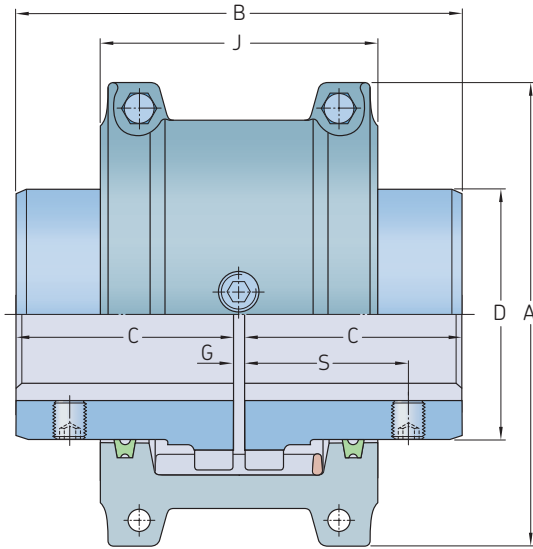
Order data

Coupling type	Hubs		Cover		Grid		Spacer hub set				
	Solid bore	Qty	Bored to size	Qty	Qty	Qty	(... = DBSE dimension)	Qty			
Horizontal split cover	PHE 1050TGRSB	2	or	PHE 1050TG...MM	2	PHE 1050TGHCOVER	1	PHE 1050TGGRID	1	–	–
Vertical split cover	PHE 1050TGRSB	2	or	PHE 1050TG...MM	2	PHE 1050TGVCOVER	1	PHE 1050TGGRID	1	–	–
Full spacer	PHE 1050TGS-SHR SB	2	or	PHE 1050TGS-SH...MM	2	PHE 1050TGHCOVER	1	PHE 1050TGGRID	1	PHE 1050TGS-SPACERX...MM	1
Half spacer	PHE 1050TGRSB	1	–	–	–	PHE 1050TGHCOVER	1	PHE 1050TGGRID	1	PHE 1050TGS-SPACERX...MM	1
	PHE 1050TGS-SHR SB	1	or	PHE 1050TGS-SH...MM	1	–	–	–	–	–	–

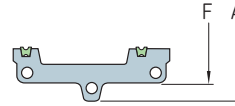
Each complete full or half spacer coupling consists of: 2 hubs, 1 grid, 1 cover and 1 spacer hub set. Each complete horizontal or vertical split cover coupling consists of: 2 hubs, 1 grid and 1 cover. For bored to size designations, add bore size. For example, PHE 1050TG25MM

Grid couplings

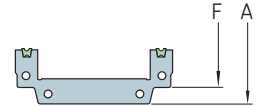
Horizontal split cover



Cover profiles
Sizes 1020 - 1140



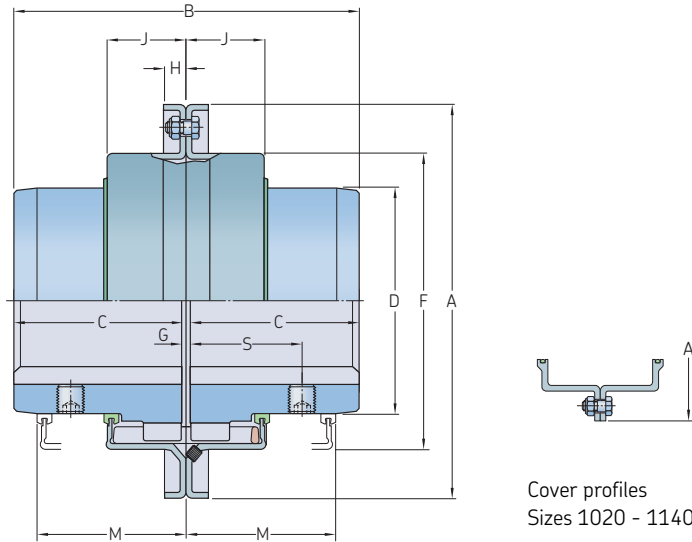
Sizes 1150 - 1200



Sizes 1210-1220

Size	Power per 100 r/min	Rated torque	Speed	Bore diameter		Dimensions						Gap			Lubricant mass	Coupling mass without bore	
				Min.	Max.	A	B	C	D	J	F	S	G	Normal			Max.
	kW	Nm	r/min	mm	mm	mm	mm	mm	mm	mm	mm	mm	mm	mm	mm	kg	kg
1020 TGH	0,54	52	4 500	12	30	101,6	98,2	47,5	39,7	66,0	-	39,1	1,5	3	4,5	0,027	1,9
1030 TGH	1,60	149	4 500	12	36	110,0	98,2	47,5	49,2	68,3	-	39,1	1,5	3	4,5	0,04	2,6
1040 TGH	2,60	249	4 500	12	44	117,5	104,6	50,8	57,2	70,0	-	40,1	1,5	3	4,5	0,054	3,4
1050 TGH	4,60	435	4 500	12	50	138,0	123,6	60,3	66,7	79,5	-	44,7	1,5	3	4,5	0,068	5,4
1060 TGH	7,20	684	4 500	19	57	150,5	130,0	63,5	76,2	92,0	-	52,3	1,5	3	4,5	0,086	7,3
1070 TGH	10,40	994	4 125	19	65	161,9	155,4	76,2	87,3	95,0	-	53,8	1,5	3	4,5	0,113	10,0
1080 TGH	21,50	2 050	3 600	27	79	194,0	180,8	88,9	104,8	116,0	-	64,5	1,5	3	6,0	0,172	18,0
1090 TGH	39,00	3 730	3 600	27	95	213,0	199,8	98,4	123,8	122,0	-	71,6	1,5	3	6,0	0,254	25,0
1100 TGH	65,70	6 280	2 440	41	107	250,0	246,2	120,6	142,1	155,5	-	-	1,5	5	9,5	0,426	42,0
1110 TGH	97,60	9 320	2 250	41	117	270,0	259,0	127,0	160,3	161,5	-	-	1,5	5	9,5	0,508	54,0
1120 TGH	143,00	13 700	2 025	60	136	308,0	304,4	149,2	179,4	191,5	-	-	1,5	6	12,5	0,735	81,0
1130 TGH	208,00	19 900	1 800	66	165	346,0	329,8	161,9	217,5	195,0	-	-	1,5	6	12,5	0,907	121,0
1140 TGH	299,00	28 600	1 650	66	184	384,0	374,4	184,2	254,0	201,0	-	-	1,5	6	12,5	1,13	178,0
1150 TGH	416,00	39 800	1 500	108	203	453,1	371,8	182,9	269,2	271,3	391,2	-	1,5	6	12,5	1,95	234,0
1160 TGH	586,00	55 900	1 350	120	228	501,4	402,2	198,1	304,8	278,9	436,9	-	1,5	6	12,5	2,81	317,0
1170 TGH	781,00	74 600	1 225	133	279	566,4	437,8	215,9	355,6	304,3	487,2	-	1,5	6	12,5	3,49	448,0
1180 TGH	1 080,00	103 000	1 100	152	311	629,9	483,6	238,8	393,7	321,1	554,7	-	1,5	6	12,5	3,76	619,0
1190 TGH	1 430,00	137 000	1 050	152	339	675,6	524,2	259,1	436,9	325,1	607,8	-	1,5	6	12,5	4,4	776,0
1200 TGH	1 950,00	186 000	900	177	361	756,9	564,8	279,4	497,8	355,6	660,4	-	1,5	6	12,5	5,62	1 057,0
1210 TGH	2 611,00	249 000	820	177	390	844,5	622,3	304,8	533,4	431,8	750,8	-	1,5	6	12,7	10,5	1 425,0
1220 TGH	3 523,00	336 000	730	203	420	920,7	662,9	325,1	571,5	490,2	822,2	-	1,5	6	12,7	16,1	1 785,0

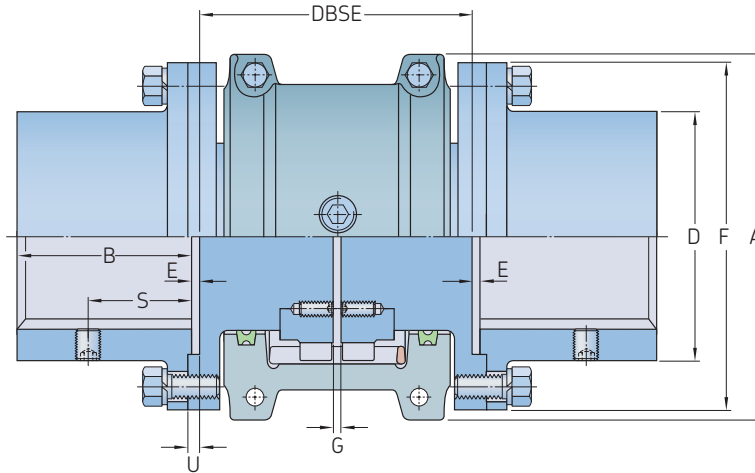
Grid couplings
Vertical split cover



Size	Power per 100 r/min	Rated torque	Speed	Bore diameter		Dimensions											Gap			Lubricant weight	Coupling weight without bore
						Max.	Min.	Max.	A	B	C	D	F	H	J	M	S	G Min.	Normal		
–	kW	Nm	r/min	mm	mm	mm	mm	mm	mm	mm	mm	mm	mm	mm	mm	mm	mm	mm	kg	kg	
1020 TGV	0,54	52	6 000	12	30	111,1	98,0	47,5	39,7	64,3	9,7	24,2	47,8	39,1	1,5	3	4,5	0,027	2,0		
1030 TGV	1,60	149	6 000	12	36	120,7	98,0	47,5	49,2	73,8	9,7	25,0	47,8	39,1	1,5	3	4,5	0,04	2,6		
1040 TGV	2,60	249	6 000	12	44	128,5	104,6	50,8	57,2	81,8	9,7	25,7	50,8	40,1	1,5	3	4,5	0,054	3,4		
1050 TGV	4,60	435	6 000	12	50	147,6	123,6	60,3	66,7	97,6	11,9	31,2	60,5	44,7	1,5	3	4,5	0,068	5,4		
1060 TGV	7,20	684	6 000	19	57	162,0	130,0	63,5	76,2	111,1	12,7	32,2	63,5	52,3	1,5	3	4,5	0,086	7,3		
1070 TGV	10,40	994	5 500	19	65	173,0	155,4	76,2	87,3	122,3	12,7	33,7	66,5	53,8	1,5	3	4,5	0,113	10,0		
1080 TGV	21,50	2 050	4 750	27	79	200,0	180,8	88,9	104,8	149,2	12,7	44,2	88,9	64,5	1,5	3	6,0	0,172	18,0		
1090 TGV	39,00	3 730	4 000	27	95	231,8	199,8	98,4	123,8	168,3	12,7	47,7	95,2	71,6	1,5	3	6,0	0,254	25,0		
1100 TGV	65,70	6 280	3 250	41	107	266,7	245,7	120,6	142,1	198,0	15,7	60,0	120,7	–	1,5	5	9,5	0,426	42,0		
1110 TGV	97,60	9 320	3 000	41	117	285,8	258,5	127,0	160,3	216,3	16,0	64,2	124,0	–	1,5	5	9,5	0,508	54,0		
1120 TGV	143,00	13 700	2 700	60	136	319,0	304,4	149,2	179,4	245,5	17,5	73,4	142,7	–	1,5	6	12,5	0,735	81,0		
1130 TGV	208,00	19 900	2 400	66	165	377,8	329,8	161,9	217,5	283,8	20,6	75,1	146,0	–	1,5	6	12,5	0,907	122,0		
1140 TGV	299,00	28 600	2 200	66	184	416,0	371,6	184,2	254,0	321,9	20,6	78,2	155,4	–	1,5	6	12,5	1,13	180,0		
1150 TGV	416,00	39 800	2 000	108	203	476,3	371,8	182,9	269,2	374,4	19,3	106,9	203,2	–	1,5	6	12,5	1,95	230,0		
1160 TGV	586,00	55 900	1 750	120	228	533,4	402,2	198,1	304,8	423,9	30,0	114,3	215,9	–	1,5	6	12,5	2,81	321,0		
1170 TGV	781,00	74 600	1 600	133	279	584,2	437,8	215,9	355,6	474,7	30,0	119,4	226,1	–	1,5	6	12,5	3,49	448,0		
1180 TGV	1 080,00	103 000	1 400	152	311	630,0	483,6	238,8	393,7	–	–	130,0	265,0	–	1,5	6	12,5	3,76	591,0		
1190 TGV	1 430,00	137 000	1 300	152	339	685,0	524,2	259,1	436,9	–	–	135,0	275,0	–	1,5	6	12,5	4,4	761,0		
1200 TGV	1 950,00	186 000	1 100	177	361	737,0	564,8	279,4	497,8	–	–	145,0	295,0	–	1,5	6	12,5	5,62	1 021,0		

Grid couplings

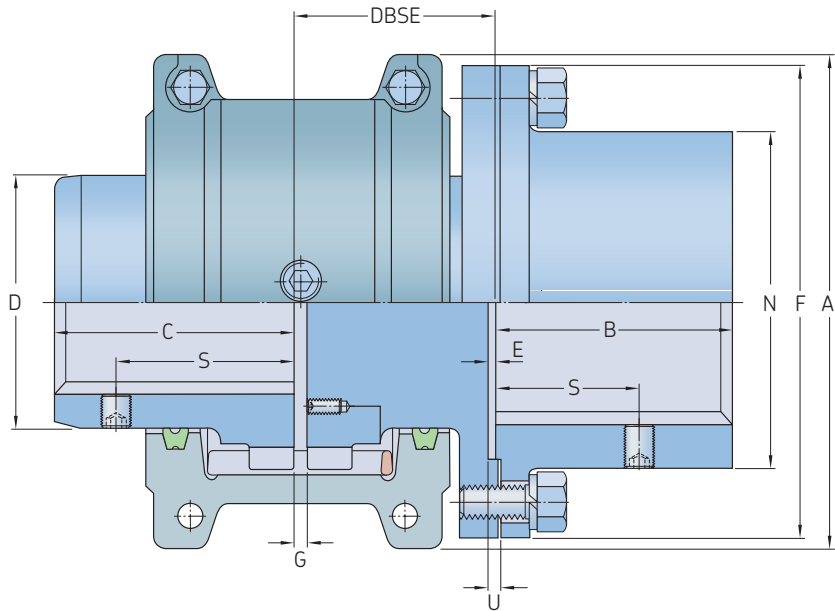
Full spacer



Size	Power per 100 r/min	Rated torque	Speed	Bore diameter		Dimensions										Gap		Flange bolts	Lubricant weight	Coupling weight without bore and min. BE
						Max.	Min.	Max.	A	B	DBSE Min.	Max.	D	E	F	S	U			
-	kW	Nm	r/min	mm	mm	mm	mm	mm	mm	mm	mm	mm	mm	mm	mm	mm	mm	kg	kg	
1020 TGFS	0,54	52	3 600	12	35	101,6	35	89	203	52	0,8	86	27,4	1,8	1,5	5,0	4	0,027	3,9	
1030 TGFS	1,60	149	3 600	12	43	110,0	41	89	216	59	0,8	94	31,5	1,8	1,5	5,0	8	0,04	5,2	
1040 TGFS	2,60	249	3 600	12	56	117,5	54	89	216	78	0,8	113	27,4	1,8	1,5	5,0	8	0,054	8,4	
1050 TGFS	4,60	435	3 600	12	67	138,0	60	112	216	87	0,8	126	40,6	1,8	1,5	5,0	8	0,068	12,8	
1060 TGFS	7,20	684	3 600	19	80	150,5	73	127	330	103	1,8	145	43,2	2,8	1,5	5,0	8	0,086	20,5	
1070 TGFS	10,40	994	3 600	19	85	161,9	79	127	330	109	1,8	153	46,7	2,8	1,5	5,0	12	0,113	24,8	
1080 TGFS	21,50	2 050	3 600	27	95	194,0	89	184	406	122	1,8	178	49,8	2,8	1,5	5,0	12	0,172	40,0	
1090 TGFS	39,00	3 730	3 600	27	110	213,0	102	184	406	142	1,8	210	56,9	2,8	1,5	5,0	12	0,254	60,0	
1100 TGFS	65,70	6 280	2 440	41	130	250,0	90	203	406	171	1,6	251	-	3,2	1,5	6,5	12	0,426	90,2	
1110 TGFS	97,60	9 320	2 250	41	150	270,0	104	210	406	196	1,6	277	-	3,2	1,5	6,5	12	0,508	119,0	
1120 TGFS	143,00	13 700	2 025	60	170	308,0	119	246	406	225	1,6	319	-	4,0	1,5	9,5	12	0,735	178,0	
1130 TGFS	208,00	19 900	1 800	66	190	346,0	135	257	406	238	1,6	346	-	4,0	1,5	9,5	12	0,907	237,0	
1140 TGFS	299,00	28 600	1 650	66	210	384,0	152	267	406	266	1,6	386	-	4,0	1,5	9,5	12	1,13	327,0	
1150 TGFS	416,00	39 800	1 500	108	270	453,1	173	345	371	334	5,1	425	-	-	1,5	9,5	14	1,95	462,0	
1160 TGFS	586,00	55 900	1 350	120	290	501,4	186	356	406	366	6,6	457	-	-	1,5	9,5	14	2,81	566,0	
1170 TGFS	781,00	74 600	1 225	133	340	566,4	220	384	445	425	8,4	527	-	-	1,5	9,5	16	3,49	856,0	
1180 TGFS	1 080,00	103 000	1 100	133	340	629,9	249	400	490	451	5,1	591	-	8,1	1,5	9,5	16	3,76	1 135,0	
1190 TGFS	1 430,00	137 000	1 050	152	380	675,6	276	411	530	508	5,1	660	-	8,1	1,5	9,5	18	4,4	1 525,0	
1200 TGFS	1 950,00	186 000	900	177	400	756,9	305	445	575	530	6,1	711	-	9,1	1,5	9,5	18	5,62	1 910,0	

Grid couplings

Half spacer



Size	Power per 100 r/min	Rated torque	Speed	Bore diameter				Dimensions								Gap			Flange bolts	Lubricant weight	Coupling weight without bore		
				Max.	Min.	Max.	Max.	A	B	C	D	DBSE Min.	DBSE Max.	N	E	F	Shaft hub S	T hub S				U	G Min.
	kW	Nm	r/min	mm				mm								mm			kg				
1020 TGHS	0,54	52	3 600	12	30	35	101,6	35	47,5	39,7	45	102	52	0,8	86	27,4	39,1	1,8	1,5	3	4	0,027	2,9
1030 TGHS	1,60	149	3 600	12	36	43	110,0	41	47,5	49,2	45	109	59	0,8	94	31,5	39,1	1,8	1,5	3	8	0,04	3,9
1040 TGHS	2,60	249	3 600	12	44	56	117,5	54	50,8	57,2	45	109	78	0,8	113	27,4	40,1	1,8	1,5	3	8	0,054	5,9
1050 TGHS	4,60	435	3 600	12	50	67	138,0	60	60,3	66,7	57	109	87	0,8	126	40,6	44,7	1,8	1,5	3	8	0,068	9,1
1060 TGHS	7,20	684	3 600	19	57	80	150,5	73	63,5	76,2	64	166	103	1,8	145	43,2	52,3	2,8	1,5	3	8	0,086	14,0
1070 TGHS	10,40	994	3 600	19	65	85	161,9	79	76,2	87,3	64	166	109	1,8	153	46,7	53,8	2,8	1,5	3	12	0,113	17,6
1080 TGHS	21,50	2 050	3 600	27	79	95	194,0	89	88,9	104,8	93	204	122	1,8	178	49,8	64,5	2,8	1,5	3	12	0,172	29,0
1090 TGHS	39,00	3 730	3 600	27	95	110	213,0	102	98,4	123,8	93	204	142	1,8	210	56,9	71,6	2,8	1,5	3	12	0,254	42,8
1100 TGHS	65,70	6 280	2 440	41	107	130	250,0	90	120,6	142,1	103	205	171	1,6	251	-	3,2	1,5	5	12	0,426	66,0	
1110 TGHS	97,60	9 320	2 250	41	117	150	270,0	104	127,0	160,3	106	205	196	1,6	277	-	-	3,2	1,5	5	12	0,508	84,5
1120 TGHS	143,00	13 700	2 025	60	136	170	308,0	119	149,2	179,4	125	205	225	1,6	319	-	-	4,0	1,5	6	12	0,735	129,0
1130 TGHS	208,00	19 900	1 800	66	165	190	346,0	135	161,9	217,5	130	205	238	1,6	346	-	-	4,0	1,5	6	12	0,907	179,0
1140 TGHS	299,00	28 600	1 650	66	184	210	384,0	152	184,2	254,0	135	205	266	1,6	386	-	-	4,0	1,5	6	12	1,13	252,0
1150 TGHS	416,00	39 800	1 500	108	203	270	453,1	173	182,9	269,2	175	187	334	5,1	425	-	-	-	1,5	6	14	1,95	348,0
1160 TGHS	586,00	55 900	1 350	120	228	290	501,4	186	198,1	304,8	180	205	366	6,6	457	-	-	-	1,5	6	14	2,81	441,0
1170 TGHS	781,00	74 600	1 225	133	279	340	566,4	220	215,9	355,6	194	224	425	8,4	527	-	-	-	1,5	6	16	3,49	652,0
1180 TGHS	1 080,00	103 000	1 100	133	311	340	629,9	249	238,8	393,7	202	247	451	5,1	591	-	-	8,1	1,5	6	16	3,76	877,0
1190 TGHS	1 430,00	137 000	1 050	152	339	380	675,6	276	259,1	436,9	207	267	508	5,1	660	-	-	8,1	1,5	6	18	4,4	1150,0
1200 TGHS	1 950,00	186 000	900	177	361	400	756,9	305	279,4	497,8	224	289	530	6,1	711	-	-	9,1	1,5	6	18	5,62	1484,0

Gear couplings

Very high-torque ratings, along with unparalleled bore capacities, give this coupling a great advantage over other types of couplings. SKF gear couplings are rated up to 555 000 Nm with a maximum bore of 495 mm. This is a heavy duty coupling with incredible design flexibility, making it an economical choice for many applications.

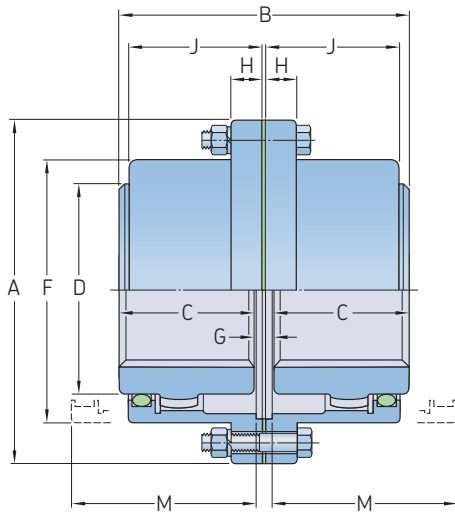
The unique design of the gear couplings tooth crowning dramatically reduces backlash and radial clearance. The hub bore capacities are the largest in the industry allowing for low cost and long service life.

Order data

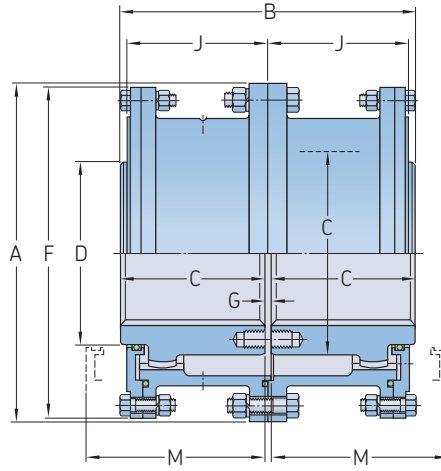
Coupling type	Hubs	Qty	Cover	Qty	Assembly kit	Qty	Spacer/floating shaft and kits ... = DBSE dimension	Qty
Double engagement	PHE 50GCRSB	2	PHE 50GCCOVER	2	PHE 50GCKIT	1	–	–
Size 80 and above	PHE 80GCRSB	2	PHE 80GCMCOVER	1	PHE 80GCKIT	1	–	–
	–	–	PHE 80GFCFCOVER	1	–	–	–	–
Single engagement	PHE 50GCSERSB	1	PHE 50GCCOVER	2	PHE 50GCKIT	1	–	–
	PHE 50GCRSB	1	–	–	–	–	–	–
Size 80 and above	PHE 80GCSERSB	1	PHE 80GCMCOVER	1	PHE 80GCKIT	1	–	–
	PHE 80GCRSB	1	PHE 80GFCFCOVER	1	–	–	–	–
Double engagement spacer	PHE 50GCRSB	2	PHE 50GCCOVER	2	PHE 50GCKIT	2	PHE 50GCSPECER...MM	1
Double engagement slide type 1, 2, 3								
Type 1	PHE 50GCRSB	2	PHE 50GSCCOVER	2	PHE 50GCKIT	1	PHE 50GCCPLATE	1
Type 2	PHE 50GCT2RSB	2	PHE 50GSCCOVER	2	PHE 50GCKIT	1	PHE 50GCCPLATE	1
Type 3	PHE 50GCRSB	2	PHE 50GCCCOVER	2	PHE 50GCKIT	1	PHE 50GCCPLATE	1
	–	–	–	–	–	–	PHE 50GCT3DISC	2
Single engagement slide type 1 and 2								
Type 1	PHE 50GCRSB	1	PHE 50GSCCOVER	1	PHE 50GCKIT	1	PHE 50GCCPLATE	1
	PHE 50GCSERSB	1	–	–	–	–	–	–
Type 2	PHE 50GCT2RSB	1	PHE 50GSCCOVER	1	PHE 50GCKIT	1	PHE 50GCCPLATE	1
	PHE 50GCSERSB	1	–	–	–	–	–	–
Single engagement floating shaft	PHE 50GCFERSB	2	PHE 50GCCOVER	2	PHE 50GCKIT	2	PHE 50GCFSHAFT .. MM	1
	PHE 50GCRSB	2	–	–	–	–	–	–
Double engagement vertical	PHE 50GCVRSB	2	PHE 50GCVCOVER	2	PHE 50GCKIT	1	50GCVCTRKIT	1
Single engagement vertical	PHE 50GCVRSB	1	PHE 50GCVCOVER	2	PHE 50GCKIT	1	50GCVCTRKIT	–
	PHE 50GCSERSB	1	–	–	–	–	–	–
Single engagement vertical floating	PHE 50GCVRSB	1	PHE 50GCVCOVER	1	PHE 50GCKIT	2	50GCVCTRKIT	2
	PHE 50GCFERSB	1	–	–	–	–	–	–
	PHE 50GCVRSB	1	PHE 50GCVCOVER	1	PHE 50GCKIT	2	PHE 50GCFSHAFT .. MM	1
	PHE 50GCSERSB	1	–	–	–	–	–	–
Rigid flanged sleeve	PHE 50GCRRSB	2	–	–	PHE 50GCRKIT	1	–	–
Size 80 and above	PHE 80GCRRSB	2	–	–	PHE 80GCRKIT	1	PHE 80GCRRING	1

A complete gear coupling consists of: 2 hubs, 2 covers and 1 assembly kit.
Coupling size 80 and above consists of: 2 hubs, 1 male cover, 1 female cover and 1 assembly kit.
For bored to size designations, add bore size RSB. For example: PHE 50GCX500MM.
For shrouded bolt covers, use cover number, e.g. PHE 50SGCCOVER and PHE 50SGGKIT for the assembly kit.
The assembly kit includes oil seals, gasket, bolts and lock-nuts.

Gear couplings
Double engagement



Size 10 to 70

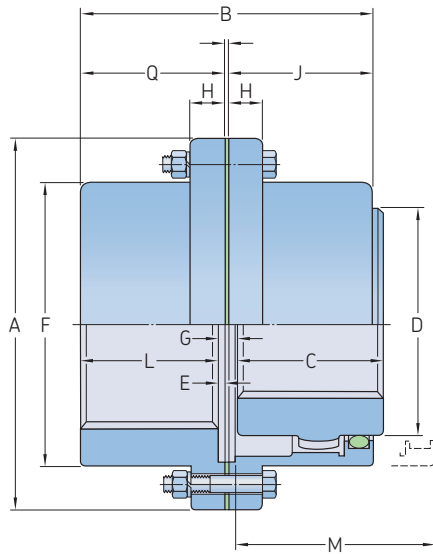


Size 80 to 120

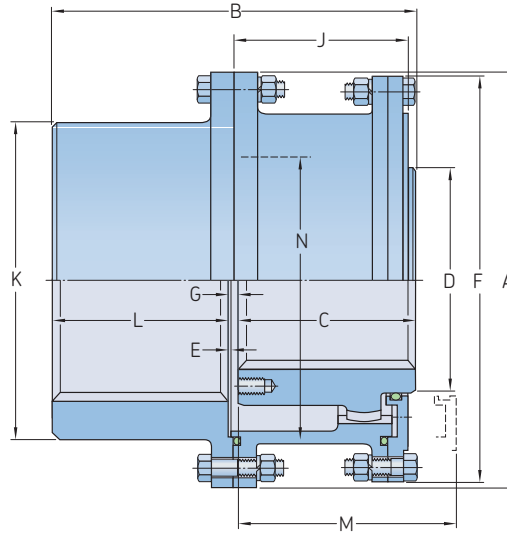
Size	Power per 100 r/min	Rated torque	Speed		Bore diameter		Dimensions							Gap	Lubricant mass	Coupling mass without bore and min. DBSE
			Max.	Min.	Max.	A	B	C	D	F	H	J	M*			
–	kW	Nm	r/min	mm	mm	mm	mm	mm	mm	mm	mm	mm	mm	mm	kg	
10 GC	11,9	1 139	8 000	13	50	116	89	43	69	84	14,0	39	51	3	0,04	5
15 GC	24,6	2 350	6 500	20	65	152	101	49	86	105	19,0	48	61	3	0,07	9
20 GC	44,7	4 270	5 600	26	78	178	127	62	105	126	19,0	59	77	3	0,12	16
25 GC	78,3	7 474	5 000	32	98	213	159	77	131	155	21,8	72	92	5	0,23	29
30 GC	127,0	12 100	4 400	39	111	240	187	91	152	180	21,8	84	107	5	0,36	43
35 GC	194,0	18 500	3 900	51	134	279	218	106	178	211	28,4	98	130	6	0,54	68
40 GC	321,0	30 609	3 600	64	160	318	248	121	210	245	28,4	111	145	6	0,91	97
45 GC	440,0	42 000	3 200	77	183	346	278	135	235	274	28,4	123	166	8	1,04	136
50 GC	593,0	56 600	2 900	89	200	389	314	153	254	306	38,1	141	183	8	1,77	190
55 GC	775,0	74 030	2 650	102	220	425	344	168	279	334	38,1	158	204	8	2,22	249
60 GC	947,0	90 400	2 450	115	244	457	384	188	305	366	25,4	169	229	8	3,18	306
70 GC	1 420,0	135 000	2 150	127	289	527	452	221	343	425	28,4	196	267	10	4,35	485
80 GC	1 780,0	170 000	1 750	102	266	591	508	249	356	572	–	243	300	10	9,53	703
90 GC	2 360,0	226 000	1 550	115	290	660	565	276	394	641	–	265	327	13	12,25	984
100 GC	3 250,0	310 000	1 450	127	320	711	623	305	445	699	–	294	356	13	14,97	1 302
110 GC	4 320,0	413 000	1 330	140	373	775	679	333	495	749	–	322	384	13	17,69	1 678
120 GC	5 810,0	555 000	1 200	153	400	838	719	353	546	826	–	341	403	13	20,87	2 114

* Minimum clearance required for aligning coupling.

Gear couplings
Single engagement



Size 10 to 70



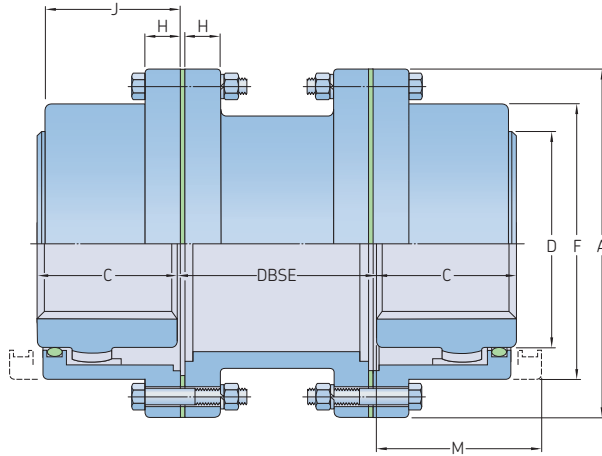
Size 80 to 120

Size	Power per 100 r/min	Rated torque	Speed	Bore diameter			Dimensions										Gap	Lubricant mass	Coupling mass without bore		
				Flex hub	Se hub	Se hub	A	B	C	D	E	F	H	J	K ¹⁾	L				M ²⁾	Q
	kW	Nm	r/min	Max.	Max.	Min.	mm										mm	kg			
10 GCSE	11,9	1 139	8 000	48	60	13	116	87,0	43	69	2,5	84	14,0	39	-	40	51	42	4	0,02	4,5
15 GCSE	24,6	2 350	6 500	60	75	19	152	99,0	49	86	2,5	105	19,0	48	-	46	61	49	4	0,04	9,1
20 GCSE	44,7	4 270	5 600	73	92	25	178	124,0	62	105	2,5	126	19,0	59	-	58	77	61	4	0,07	15,9
25 GCSE	78,3	7 474	5 000	92	111	32	213	156,0	77	131	2,5	155	21,8	72	-	74	92	76	5	0,12	27,2
30 GCSE	127,0	12 100	4 400	105	130	38	240	184,0	91	152	2,5	180	21,8	84	-	88	107	90	5	0,18	43,1
35 GCSE	194,0	18 500	3 900	124	149	51	279	213,5	106	178	2,5	211	28,4	98	-	102	130	105	6	0,27	61,2
40 GCSE	321,0	30 609	3 600	146	171	64	318	243,0	121	210	4,1	245	28,4	111	-	115	145	119	7	0,47	99,8
45 GCSE	440,0	42 000	3 200	165	194	76	346	274,0	135	235	4,1	274	28,4	123	-	131	166	135	8	0,57	136,1
50 GCSE	593,0	56 600	2 900	178	222	89	389	309,0	153	254	5,1	306	38,1	141	-	147	183	152	9	0,91	195,0
55 GCSE	775,0	74 030	2 650	197	248	102	425	350,0	168	279	5,1	334	38,1	158	-	173	204	178	9	1,13	263,1
60 GCSE	947,0	90 400	2 450	222	267	114	457	384,0	188	305	6,6	366	25,4	169	-	186	229	193	10	1,70	324,3
70 GCSE	1 420,0	135 000	2 150	254	305	127	527	454,0	221	343	8,4	425	28,4	196	-	220	267	229	13	2,27	508,0
80 GCSE	1 780,0	170 000	1 750	279	343	102	591	511,0	249	356	-	572	-	243	450,8	249	300	-	13	4,99	698,5
90 GCSE	2 360,0	226 000	1 550	305	381	114	660	566,0	276	394	-	641	-	265	508,0	276	327	-	14	6,35	984,3
100 GCSE	3 250,0	310 000	1 450	343	406	127	711	626,0	305	445	-	699	-	294	530,4	305	356	-	16	7,71	1251,9
110 GCSE	4 320,0	413 000	1 330	387	445	140	775	682,0	333	495	-	749	-	322	584,2	333	384	-	16	9,07	1637,5
120 GCSE	5 810,0	555 000	1 200	425	495	152	838	722,0	353	546	-	826	-	341	647,7	353	403	-	16	10,89	2077,5

¹⁾ May be an "as cast" version depending on coupling size and bore.
²⁾ Minimum clearance required for aligning coupling.

Gear couplings

Double engagement · Spacer

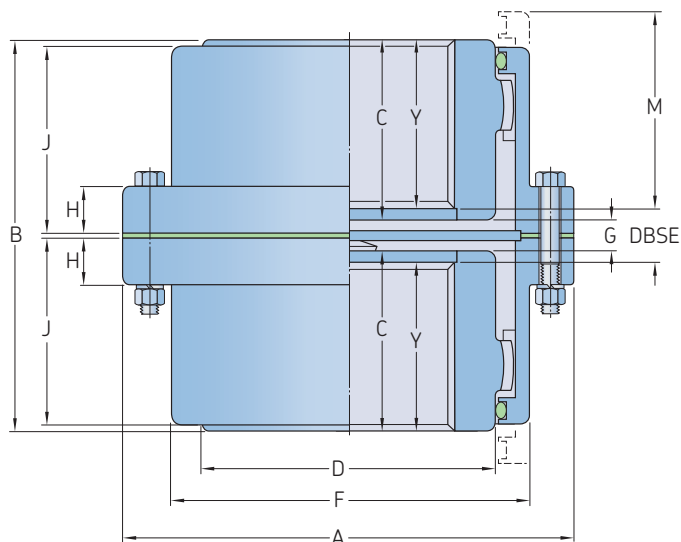


Size	Power per 100 r/min	Rated torque	Speed	DBSE			Bore diameter			Dimensions						Lubricant mass	Coupling mass without bore and min. bore
				Max.	Min.	Max.	Min.	Max.	A	C	D	F	H	J	M*		
–	kW	Nm	r/min	mm									kg				
10 GCS	11,9	1 139	7 000	83	311	13	48	116	43	69	84	14,0	39	51	0,04	6,8	
15 GCS	24,6	2 350	5 500	83	311	19	60	152	49	86	105	19,0	48	61	0,07	13,6	
20 GCS	44,7	4 270	4 600	83	311	25	73	178	62	105	126	19,0	59	77	0,12	20,4	
25 GCS	78,3	7 474	4 000	95	311	32	92	213	77	131	155	21,8	72	92	0,23	38,6	
30 GCS	127,0	12 100	3 600	95	311	38	105	240	91	152	180	21,8	84	107	0,36	54,4	
35 GCS	194,0	18 500	3 100	120	311	51	124	279	106	178	211	28,4	98	130	0,54	88,5	
40 GCS	321,0	30 609	2 800	120	311	64	146	318	121	210	245	28,4	111	145	0,91	122,5	
45 GCS	440,0	42 000	2 600	120	311	76	165	346	135	235	274	28,4	123	166	1,04	165,6	
50 GCS	593,0	56 600	2 400	146	311	89	178	389	153	254	306	38,1	141	183	1,77	238,1	
55 GCS	775,0	74 030	2 200	146	311	102	197	425	168	279	334	38,1	158	204	2,22	306,2	
60 GCS	947,0	90 400	2 100	146	311	114	222	457	188	305	366	25,4	169	229	3,18	358,3	
70 GCS	1 420,0	135 000	1 800	146	311	127	254	527	221	343	425	28,4	196	267	4,35	562,5	

* Minimum clearance required for aligning coupling.

Gear couplings

Double engagement · Vertical

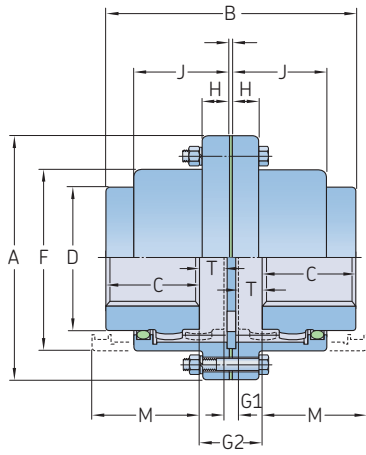


Size	Power per 100 r/min	Rated torque	Speed	Bore diameter		Dimensions										Gap	Lubricant mass	Coupling mass without bore
				Max.	Min.	A	B	C	D	F	H	J	M*	Y	DBSE			
–	kW	Nm	r/min	mm	mm	mm										mm	kg	
10 GCV	11,9	1 139	8 000	13	48	116	89	43	69	84	14,0	39	51	32,5	24	11	0,04	5
15 GCV	24,6	2 350	6 500	19	60	152	101	49	86	105	19,0	48	61	38,6	24	11	0,07	9
20 GCV	44,7	4 270	5 600	25	73	178	127	62	105	126	19,0	59	77	51,3	24	11	0,12	16
25 GCV	78,3	7 474	5 000	32	92	213	159	77	131	155	21,8	72	92	65,3	26	14	0,23	29
30 GCV	127,0	12 100	4 400	38	105	240	187	91	152	180	21,8	84	107	79,8	26	14	0,36	43
35 GCV	194,0	18 500	3 900	51	124	279	218	106	178	211	28,4	98	130	94,0	30	18	0,54	68
40 GCV	321,0	30 609	3 600	64	146	318	248	121	210	245	28,4	111	145	105,9	35	22	0,91	97
45 GCV	440,0	42 000	3 200	76	165	346	278	135	235	274	28,4	123	166	116,3	44	25	1,04	136
50 GCV	593,0	56 600	2 900	89	178	389	314	153	254	306	38,1	141	183	134,6	44	25	1,77	190
55 GCV	775,0	74 030	2 650	102	197	425	344	168	279	334	38,1	158	204	149,6	44	25	2,22	249
60 GCV	947,0	90 400	2 450	114	222	457	384	188	305	366	25,4	169	229	168,1	48	29	3,18	306
70 GCV	1 420,0	135 000	2 150	127	254	527	452	221	343	425	28,4	196	267	194,8	61	35	4,35	485

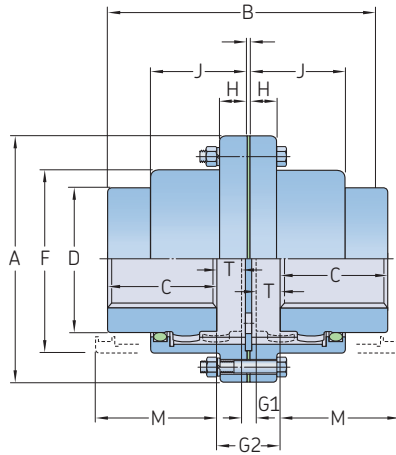
* Minimum clearance required for aligning coupling.

Gear couplings

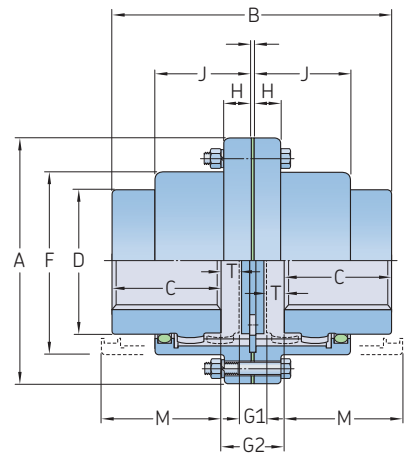
Double engagement · Slide



Type 1



Type 2



Type 3

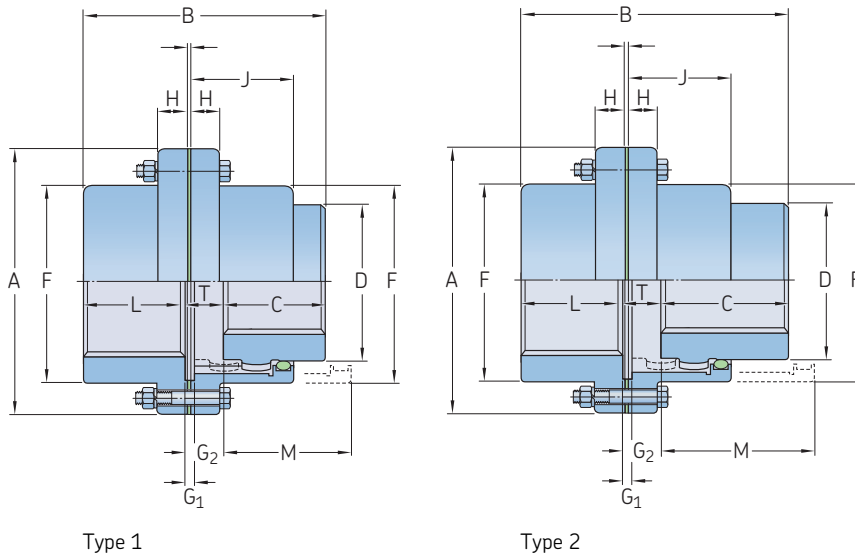
Size	Power per 100 r/min	Rated torque	Speed	Dimensions						Lubricant mass	Coupling mass without bore		
				Bore diameter		A	C	D	F			H	J
			Max.	Min.	Max.	mm	mm	mm	mm	mm	mm	kg	
10 GCSL	11,9	1 139	5 300	13	48	116	43	69	84	14,0	39	0,02	5
15 GCSL	24,6	2 350	4 300	19	60	152	49	86	105	19,0	48	0,04	9
20 GCSL	44,7	4 270	3 700	25	73	178	62	105	126	19,0	59	0,06	16
25 GCSL	78,3	7 474	3 300	32	92	213	77	131	155	21,8	72	0,11	29
30 GCSL	127,0	12 100	2 900	38	105	240	91	152	180	21,8	84	0,18	43
35 GCSL	194,0	18 500	2 600	51	124	279	106	178	211	28,4	98	0,27	68
40 GCSL	321,0	30 609	2 400	64	146	318	121	210	245	28,4	111	0,45	97
45 GCSL	440,0	42 000	2 100	76	165	346	135	235	274	28,4	123	0,51	136
50 GCSL	593,0	56 600	1 900	89	178	389	153	254	306	38,1	141	0,91	190
55 GCSL	775,0	74 030	1 800	102	197	425	168	279	334	38,1	158	1,13	249
60 GCSL	947,0	90 400	1 600	114	222	457	188	305	366	25,4	169	1,19	306
70 GCSL	1 420,0	135 000	1 400	127	254	527	221	343	425	28,4	196	2,18	485

Size	Type 1						Type 2						Type 3					
	B Max.	M*	Half T Max.	Total	Gap G ₁	G ₂	B Max.	M*	Half T Max.	Total	Gap G ₁	G ₂	B Max.	M*	Half T Max.	Total	Gap G ₁	G ₂
	mm						mm						mm					
10 GCSL	96	54	13	26	8	10	126	58	16	32	8	40	96	54	2,0	4	6	10
15 GCSL	127	60	10	20	8	29	152	69	23	46	8	54	127	60	7,5	15	14	29
20 GCSL	151	77	9	18	8	27	186	84	27	54	8	62	151	77	10,0	20	7	27
25 GCSL	188	93	12	24	9	34	231	102	34	68	9	78	188	93	6,0	12	21	34
30 GCSL	227	108	18	36	9	45	263	118	36	72	9	81	227	108	11,5	23	22	45
35 GCSL	274	124	25	50	11	61	313	135	45	90	11	102	274	124	14,0	28	33	61
40 GCSL	320	138	32	64	15	79	364	155	54	108	15	121	320	138	16,0	32	47	79
45 GCSL	355	154	35	70	16	86	406	163	60	120	16	136	355	154	19,0	38	47	86
50 GCSL	408	175	42	82	18	102	460	189	68	136	18	153	408	175	20,5	41	61	102
55 GCSL	470	191	58	116	18	134	510	221	78	156	18	174	470	191	21,0	42	92	134
60 GCSL	504	212	53	424	21	127	563	227	83	166	21	187	504	212	24,5	49	78	127
70 GCSL	592	245	62	490	26	150	669	235	99	198	26	223	592	245	27,0	54	96	150

* Minimum clearance required for aligning coupling.

Gear couplings

Single engagement · Slide

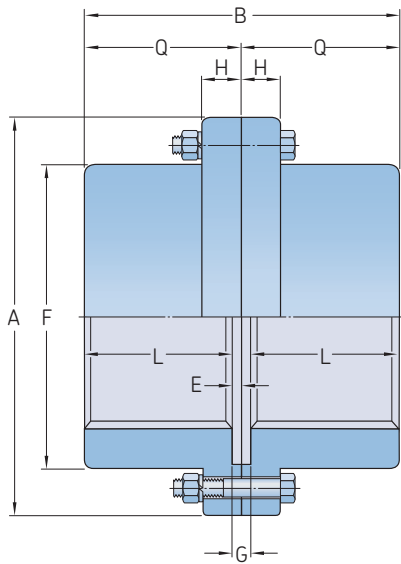


Size	Power per 100 r/min	Rated torque	Speed	Dimensions		Se hub	A	C	D	F	H	J	L	Lubricant mass	Coupling mass without bore
				Bore diameter	Flex hub										
			Max.	Max.	Max.	Min.									
	kW	Nm	r/min	mm	mm	mm	mm	mm	mm	mm	mm	mm	mm	kg	kg
10 GCSL	11,9	1 139	5 300	48	60	13	116	43	69	84	14,0	39	40	0,01	5
15 GCSL	24,6	2 350	4 300	60	75	19	152	49	86	105	19,0	48	46	0,02	9
20 GCSL	44,7	4 270	3 700	73	92	25	178	62	105	126	19,0	59	58	0,04	16
25 GCSL	78,3	7 474	3 300	92	111	32	213	77	131	155	21,8	72	74	0,06	29
30 GCSL	127,0	12 100	2 900	105	130	38	240	91	152	180	21,8	84	88	0,11	43
35 GCSL	194,0	18 500	2 600	124	149	51	279	106	178	211	28,4	98	102	0,18	68
40 GCSL	321,0	30 609	2 400	146	171	64	318	121	210	245	28,4	111	115	0,27	97
45 GCSL	440,0	42 000	2 100	165	194	76	346	135	235	274	28,4	123	131	0,34	136
50 GCSL	593,0	56 600	1 900	178	222	89	389	153	254	306	38,1	141	147	0,54	195
55 GCSL	775,0	74 030	1 800	197	248	102	425	168	279	334	38,1	158	173	0,73	263
60 GCSL	947,0	90 400	1 600	222	267	114	457	188	305	366	25,4	169	186	0,96	324
70 GCSL	1 420,0	135 000	1 400	254	305	127	527	221	343	425	28,4	196	220	1,36	510

Size	Type 1					Type 2				
	B Max.	M*	T Max.	Gap G ₁	G ₂	B Max.	M*	T Max.	Gap G ₁	G ₂
	mm	mm	mm	mm	mm	mm	mm	mm	mm	mm
10 GCSL	90,0	54	3,6	4	8	105	58	18,5	4	23
15 GCSL	112,0	60	12,7	4	17	125	69	25,4	4	30
20 GCSL	136,0	77	11,7	4	16	154	84	29,5	4	34
25 GCSL	170,0	93	14,5	5	19	192	102	36,3	5	41
30 GCSL	204,0	108	20,1	5	25	222	118	38,1	5	43
35 GCSL	241,0	124	27,2	6	33	262	135	47,8	6	53
40 GCSL	279,0	138	36,3	7	43	300	155	57,4	7	65
45 GCSL	315,0	154	38,9	8	47	338	163	64,0	8	72
50 GCSL	356,0	175	47,0	9	56	382	189	72,6	9	81
55 GCSL	412,5	191	63,0	9	72	433	221	83,1	9	92
60 GCSL	445,0	212	59,7	10	70	475	227	89,4	10	100
70 GCSL	524,0	245	70,4	13	83	560	235	106,7	13	119

* Minimum clearance required for aligning coupling.

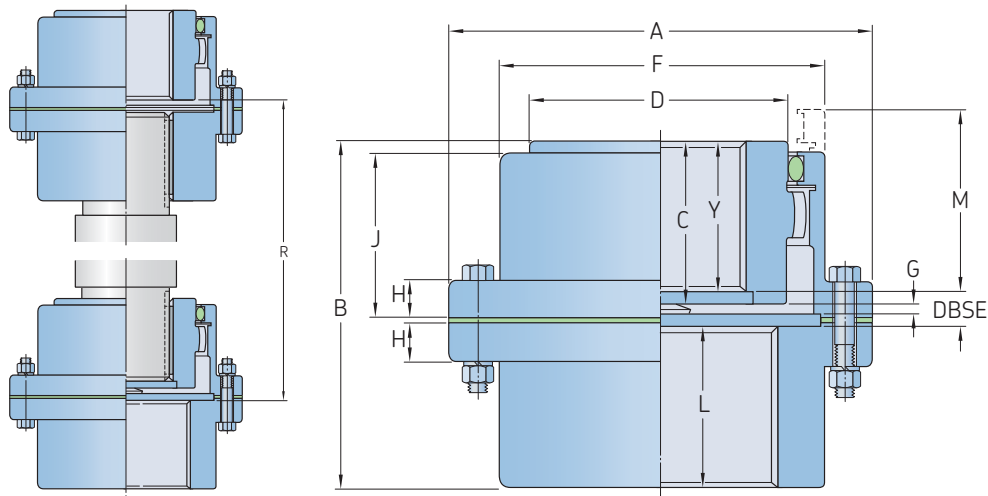
Gear couplings
Rigid flanged sleeve



Size	Power per 100 r/min	Rated torque	Speed		Dimensions			Gap						Coupling mass without bore	
			Max.	Min.	Bore diameter	Max.	A	B	E	F	H	L	Q		G
-	kW	Nm	r/min	mm	mm	mm	mm	mm	mm	mm	mm	mm	mm	mm	kg
10 GCR	11,9	1 139	8 000	13	60	116	84,5	2,5	84	14,0	40,0	39	5	5	
15 GCR	24,6	2 350	6 500	19	75	152	97,5	2,5	105	19,0	46,0	48	5	9	
20 GCR	44,7	4 270	5 600	25	92	178	122,0	2,5	126	19,0	58,5	59	5	16	
25 GCR	78,3	7 474	5 000	32	111	213	152,5	2,5	155	21,8	73,5	72	5	28	
30 GCR	127,0	12 100	4 400	38	130	240	181,0	2,5	180	21,8	88,0	84	5	43	
35 GCR	194,0	18 500	3 900	51	149	279	209,0	2,5	211	28,4	102,0	98	5	68	
40 GCR	321,0	30 609	3 600	64	171	318	239,0	4,1	245	28,4	115,0	111	8	102	
45 GCR	440,0	42 000	3 200	76	194	346	269,0	4,1	274	28,4	130,5	123	8	140	
50 GCR	593,0	56 600	2 900	89	222	389	305,0	5,1	306	38,1	147,5	141	10	205	
55 GCR	775,0	74 030	2 650	102	248	425	355,5	5,1	334	38,1	172,5	158	10	280	
60 GCR	947,0	90 400	2 450	114	267	457	386,0	6,6	366	25,4	186,5	169	13	335	
70 GCR	1 420,0	135 000	2 150	127	305	527	457,0	8,4	425	28,4	220,0	196	17	536	
80 GCR	1 780,0	170 000	1 750	102	343	591	514,0	8,0	572	31,5	249,0	243	16	703	
90 GCR	2 360,0	226 000	1 550	114	381	660	568,0	8,0	641	38,0	276,0	265	16	984	
100 GCR	3 250,0	310 000	1 450	127	406	711	629,0	9,7	699	44,2	305,0	294	19	1 210	
110 GCR	4 320,0	413 000	1 330	140	445	775	686,0	9,7	749	50,8	333,0	322	19	1 610	
120 GCR	5 810,0	555 000	1 200	152	495	838	724,0	9,7	826	53,8	353,0	341	19	2 114	

Gear couplings

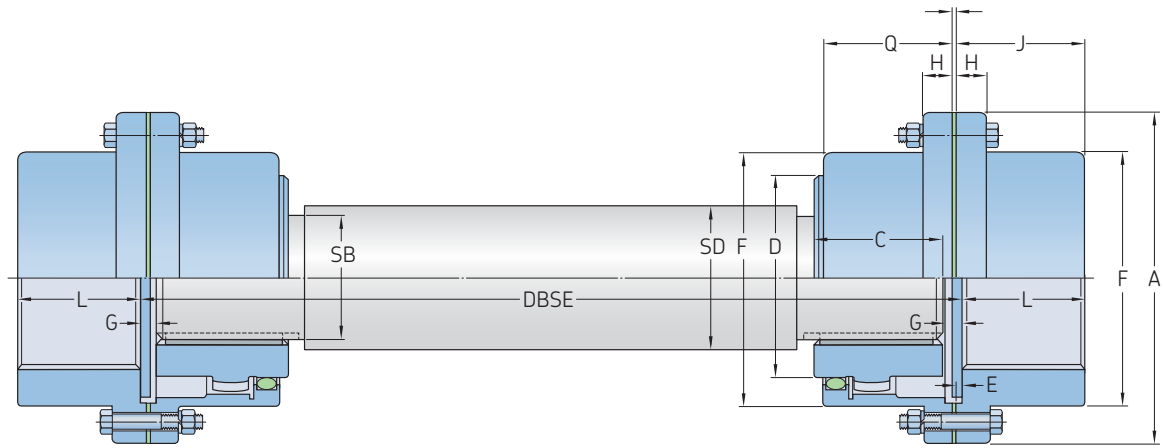
Single engagement · Vertical and floating shaft



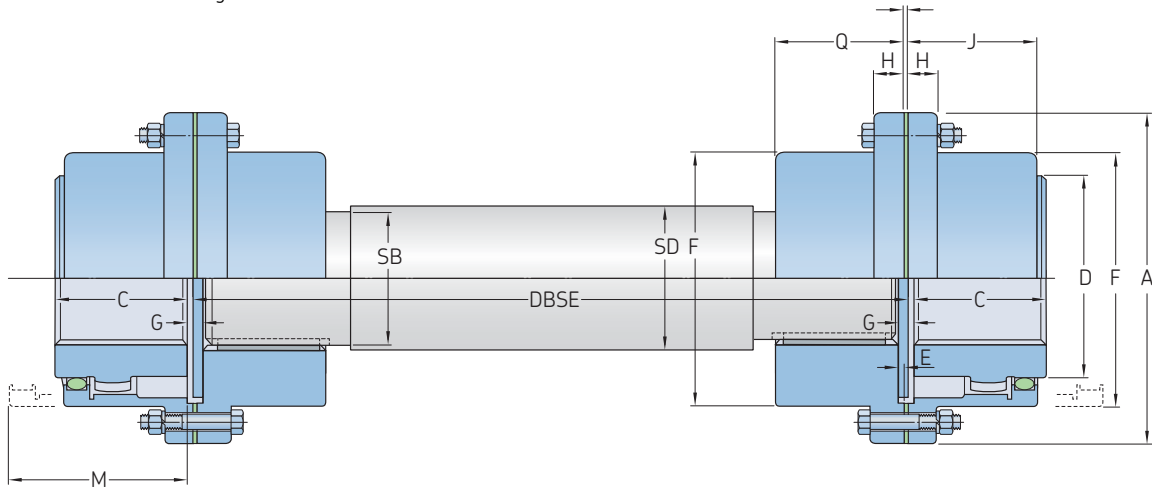
Size	Power per 100 r/min	Rated torque	Speed	Bore diameter		Min.	Dimensions										Gap		Lubricant mass	Coupling mass without bore	
				Flex hub	Se hub		A	B	C	D	F	H	J	L	M	R	Y	DBSE			G
	kW	Nm	r/min	Max.	Max.		mm										mm		kg		
10 GCV	11,9	1 139	7 000	48	60	13	116	87,0	43	69	84	14,0	39	40	51	132	32,5	14,7	4	0,02	4,5
15 GCV	24,6	2 350	5 500	60	75	19	152	99,0	49	86	105	19,0	48	46	61	152	38,6	14,7	4	0,04	9,1
20 GCV	44,7	4 270	4 600	73	92	25	178	124,0	62	105	126	19,0	59	58	77	183	51,3	14,7	4	0,07	15,9
25 GCV	78,3	7 474	4 000	92	111	32	213	156,0	77	131	155	21,8	72	74	92	218	65,3	16,3	5	0,12	27,2
30 GCV	127,0	12 100	3 600	105	130	38	240	184,0	91	152	180	21,8	84	88	107	248	79,8	16,3	5	0,18	43,1
35 GCV	194,0	18 500	3 100	124	149	51	279	213,5	106	178	211	28,4	98	102	130	298	94,0	18,0	6	0,27	61,2
40 GCV	321,0	30 609	2 800	146	171	64	318	243,0	121	210	245	28,4	111	115	145	340	105,9	22,0	7	0,47	99,8
45 GCV	440,0	42 000	2 600	165	194	76	346	274,0	135	235	274	28,4	123	131	166	388	116,3	26,7	8	0,57	136,1
50 GCV	593,0	56 600	2 400	178	222	89	389	309,0	153	254	306	38,1	141	147	183	424	134,6	27,7	9	0,91	195,0
55 GCV	775,0	74 030	2 200	197	248	102	425	350,0	168	279	334	38,1	158	173	204	464	149,6	27,7	9	1,13	263,1
60 GCV	947,0	90 400	2 100	222	267	114	457	384,0	188	305	366	25,4	169	186	229	522	168,1	30,9	10	1,70	324,3
70 GCV	1 420,0	135 000	1 800	254	305	127	527	454,0	221	343	425	28,4	196	220	267	615	194,8	39,1	13	2,27	508,0

Gear couplings

Single engagement · Floating shaft



Flex hub on floating shaft



Rigid hubs on floating shaft

Size	DBSE		Bore diameter		Min.	Dimensions								Gap	Min lubricant mass	Coupling mass without bore	
	Flex hub	Rigid hub	Flex hub	Rigid hub		A	C	D	F	H	J	L	M				G
	Min.	Max.	Max.	Max.													
-	mm													kg			
10 GCFS	133	92	48	60	13	116	43	69	84	14,0	39	40	51	4	0,02	4,5	
15 GCFS	159	105	60	75	19	152	49	86	105	19,0	48	46	61	4	0,04	9,1	
20 GCFS	197	129	73	92	25	178	62	105	126	19,0	59	58	77	4	0,07	15,9	
25 GCFS	241	162	92	111	32	213	77	131	155	21,8	72	74	92	5	0,12	27,2	
30 GCFS	279	189	105	130	38	240	91	152	180	21,8	84	88	107	5	0,18	43,1	
35 GCFS	324	219	124	149	51	279	106	178	211	28,4	98	102	130	6	0,27	61,2	
40 GCFS	419	248	146	171	64	318	121	210	245	28,4	111	115	145	7	0,47	99,8	
45 GCFS	508	281	165	194	76	346	135	235	274	28,4	123	131	166	8	0,57	136,1	
50 GCFS	533	316	178	222	89	389	153	254	306	38,1	141	147	183	9	0,91	195,0	
55 GCFS	572	367	197	248	102	425	168	279	334	38,1	158	173	204	9	1,13	263,1	
60 GCFS	597	397	222	267	114	457	188	305	366	25,4	169	186	229	10	1,70	324,3	
70 GCFS	673	470	254	305	127	527	221	343	425	28,4	196	220	267	13	2,27	508,0	

SKF Flex couplings

SKF Flex couplings are designed to accommodate misalignment and shock loads and dampen vibration levels. These easy to install, maintenance-free couplings are available with either a machined-to-size or tapered bore.

Couplings with a tapered bore can be Face (F) mounted or Hub (H) mounted. The more versatile Reversible (R) design can be either face or hub mounted depending on the application. These couplings are also available with a tapered bushing.

SKF Flex couplings consist of 2 flanges and 1 tyre. The flanges are phosphate coated for improved corrosion resistance. The addition of a standard sized spacer flange can be used to accommodate applications where it is advantageous to move either shaft axially without disturbing driving or driven machines.

SKF Flex tyres are available in natural rubber compounds for applications ranging from -50 to +50 °C. Chloroprene rubber compounds should be used in applications where exposure to greases and oils are likely. These compounds can accommodate temperatures ranging from -15 to +70 °C. The chloroprene tyres should be used where fire-resistance and anti-static (F.R.A.S.) properties are required.

Assembled coupling characteristics

Coupling size	Maximum speed	Mass tyre	Inertia	Torsional stiffness	Misalignment			Nominal torque	Max torque	Screw size	Clamping screw torque
					Angular	Parallel	Axial				
–	r/min	kg	kg/m ²	Nm/°	°	mm		Nm	–	Nm	
40	4 500	0,1	0,00074	5	4	1,1	1,3	24	64	M6	15
50	4 500	0,3	0,00115	13	4	1,3	1,7	66	160	M6	15
60	4 000	0,5	0,0052	26	4	1,6	2,0	127	318	M6	15
70	3 600	0,7	0,009	41	4	1,9	2,3	250	487	M8	24
80	3 100	1,0	0,017	63	4	2,1	2,6	375	759	M8	24
90	3 000	1,1	0,031	91	4	2,4	3,0	500	1 096	M10	40
100	2 600	1,1	0,054	126	4	2,6	3,3	675	1 517	M10	40
110	2 300	1,4	0,078	178	4	2,9	3,7	875	2 137	M10	40
120	2 050	2,3	0,013	296	4	3,2	4,0	1 330	3 547	M12	50
140	1 800	2,6	0,255	470	4	3,7	4,6	2 325	5 642	M12	55
160	1 600	3,4	0,38	778	4	4,2	5,3	3 770	9 339	M16	80
180	1 500	7,7	0,847	1 371	4	4,8	6,0	6 270	16 455	M16	105
200	1 300	8,0	1,281	1 959	4	5,3	6,6	9 325	23 508	M16	120
220	1 100	10,0	2,104	2 760	4	5,8	7,3	11 600	33 125	M20	165
250	1 000	15,0	3,505	3 562	4	6,6	8,2	14 675	42 740	M20	165

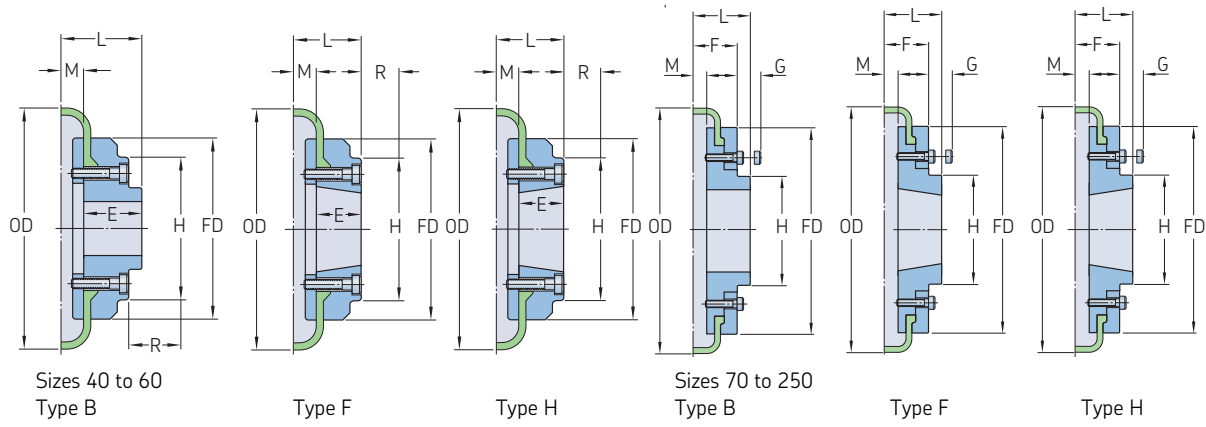
Order data

Coupling type	Flanges	Qty	Element	Qty	Coupling bushing number	Qty	Spacer flange and shaft*	Qty	Spacer bushing number	Qty
RSB both sides	PHE F70RSBFLG	2	PHE F70NRTYRE or	1	–	–	–	–	–	–
	–	–	PHE F70FRTYRE	–	–	–	–	–	–	–
RSB/F combination	PHE F70RSBFLG	1	PHE F70NRTYRE or	1	–	–	–	–	–	–
	PHE F70FTBFLG	1	PHE F70FRTYRE	–	PHF TB2012X...MM	1	PHE SM25-...DBSE	1	PHF 2517X...MM	1
RSB/H combination	PHE F70RSBFLG	1	PHE F70NRTYRE or	1	–	–	–	–	–	–
	PHE F70HTBFLG	1	PHE F70FRTYRE	–	PHF TB1610X...MM	1	PHE SM25-...DBSE	1	PHF 2517X...MM	1
F/F combination	PHE F70FTBFLG	1	PHE F70NRTYRE or	1	PHF TB2012X...MM	1	PHE SM25-...DBSE	1	PHF 2517X...MM	1
	PHE F70FTBFLG	1	PHE F70FRTYRE	–	PHF TB2012X...MM	1	–	–	–	–
H/H combination	PHE F70HTBFLG	1	PHE F70NRTYRE or	1	PHF TB1610X...MM	1	PHE SM25-...DBSE	1	PHF 2517X...MM	1
	PHE F70HTBFLG	1	PHE F70FRTYRE	–	PHF TB1610X...MM	1	–	–	–	–
F/H combination	PHE F70FTBFLG	1	PHE F70NRTYRE or	1	PHF TB1610X...MM	1	PHE SM25-...DBSE	1	PHF 2517X...MM	1
	PHE F70HTBFLG	1	PHE F70FRTYRE	–	PHF TB2012X...MM	1	–	–	–	–
Reversible	PHE F70RTBFLG	2	PHE F70NRTYRE	1	PHF TB1610X...MM	2	–	–	–	–

* To complete designation, add distance between shaft ends, PHE SM25-100DBSE.

An SKF Flex coupling consists of 2 flanges and 1 tyre. An SKF Flex spacer coupling consists of 2 flanges, 1 tyre and 1 spacer (spacer part number consists of spacer shaft and rigid flange).

SKF Flex couplings
SKF Flex flanges types B, F and H



Size	Type	Bushing number	Bore		Dimensions Types F & H		Type B		Key screw	OD	FD	H	F	R ¹⁾	G ²⁾	M	Mass	Inertia	Designation	Tyre designation Natural	F.R.A.S
			Min.	Max.	L	E	L	E													
40	B	-	11	30	-	-	33,0	22	M5	104	82,0	-	-	29	-	11,0	0,8	0,000074	PHE F40RSBFLG	PHE F40NRTYRE	PHE F40FRTYRE
40	F	1008	9	25	33,0	22	-	-	-	104	82,0	-	-	29	-	11,0	0,8	0,000074	PHE F40FTBFLG	PHE F40NRTYRE	PHE F40FRTYRE
40	H	1008	9	25	33,0	22	-	-	-	104	82,0	-	-	29	-	11,0	0,8	0,000074	PHE F40HTBFLG	PHE F40NRTYRE	PHE F40FRTYRE
50	B	-	16	38	-	-	45,0	32	M5	133	100,0	79	-	38	-	12,5	1,2	0,000115	PHE F50RSBFLG	PHE F50NRTYRE	PHE F50FRTYRE
50	F	1210	11	32	37,5	25	-	-	-	133	100,0	79	-	38	-	12,5	1,2	0,000115	PHE F50FTBFLG	PHE F50NRTYRE	PHE F50FRTYRE
50	H	1210	11	32	37,5	25	-	-	-	133	100,0	79	-	38	-	12,5	1,2	0,000115	PHE F50HTBFLG	PHE F50NRTYRE	PHE F50FRTYRE
60	B	-	16	45	-	-	55,0	38	M6	165	125,0	70	-	38	-	16,5	2,0	0,000520	PHE F60RSBFLG	PHE F60NRTYRE	PHE F60FRTYRE
60	F	1610	14	42	41,5	25	-	-	-	165	125,0	103	-	38	-	16,5	2,0	0,000520	PHE F60FTBFLG	PHE F60NRTYRE	PHE F60FRTYRE
60	H	1610	14	42	41,5	25	-	-	-	165	125,0	103	-	38	-	16,5	2,0	0,000520	PHE F60HTBFLG	PHE F60NRTYRE	PHE F60FRTYRE
70	B	-	17	60	-	-	47,0	35	M10	187	142,0	80	50	-	13	11,5	3,1	0,000900	PHE F70RSBFLG	PHE F70NRTYRE	PHE F70FRTYRE
70	F	2012	14	50	43,5	32	-	-	-	187	142,0	80	50	42	13	11,5	3,1	0,000900	PHE F70FTBFLG	PHE F70NRTYRE	PHE F70FRTYRE
70	H	1610	14	42	36,5	25	-	-	-	187	142,0	80	50	38	13	11,5	3,0	0,000900	PHE F70HTBFLG	PHE F70NRTYRE	PHE F70FRTYRE
80	B	-	23	63	-	-	55,0	42	M10	211	165,0	98	54	-	16	12,5	4,9	0,018000	PHE F80RSBFLG	PHE F80NRTYRE	PHE F80FRTYRE
80	F	2517	16	60	57,5	45	-	-	-	211	165,0	97	54	48	16	12,5	4,9	0,018000	PHE F80FTBFLG	PHE F80NRTYRE	PHE F80FRTYRE
80	H	2012	14	50	44,5	32	-	-	-	211	165,0	98	54	32	16	12,5	4,6	0,017000	PHE F80HTBFLG	PHE F80NRTYRE	PHE F80FRTYRE
90	B	-	30	75	-	-	62,5	49	M12	235	187,0	112	60	-	16	13,5	7,1	0,032000	PHE F90RSBFLG	PHE F90NRTYRE	PHE F90FRTYRE
90	F	2517	16	60	58,5	45	-	-	-	235	187,0	108	60	48	16	13,5	7,0	0,031000	PHE F90FTBFLG	PHE F90NRTYRE	PHE F90FRTYRE
90	H	2517	16	60	58,5	45	-	-	-	235	187,0	108	60	48	16	13,5	7,0	0,031000	PHE F90HTBFLG	PHE F90NRTYRE	PHE F90FRTYRE
100	B	-	30	80	-	-	69,5	56	M12	254	214,0	125	62	-	16	13,5	9,9	0,055000	PHE F100RSBFLG	PHE F100NRTYRE	PHE F100FRTYRE
100	F	3020	25	75	64,5	51	-	-	-	254	214,0	120	62	55	16	13,5	9,9	0,055000	PHE F100FTBFLG	PHE F100NRTYRE	PHE F100FRTYRE
100	H	2517	16	60	58,5	45	-	-	-	254	214,0	113	62	48	16	13,5	9,4	0,054000	PHE F100HTBFLG	PHE F100NRTYRE	PHE F100FRTYRE
110	B	-	30	90	-	-	75,5	63	M12	279	232,0	128	62	-	16	12,5	12,5	0,081000	PHE F110RSBFLG	PHE F110NRTYRE	PHE F110FRTYRE
110	F	3020	25	75	63,5	51	-	-	-	279	232,0	134	62	55	16	12,5	11,7	0,078000	PHE F110FTBFLG	PHE F110NRTYRE	PHE F110FRTYRE
110	H	3020	25	75	63,5	51	-	-	-	279	232,0	134	62	55	16	12,5	11,7	0,078000	PHE F110HTBFLG	PHE F110NRTYRE	PHE F110FRTYRE
120	B	-	36	100	-	-	84,5	70	M16	314	262,0	143	67	-	16	14,5	16,9	0,137000	PHE F120RSBFLG	PHE F120NRTYRE	PHE F120FRTYRE
120	F	3525	35	100	79,5	65	-	-	-	314	262,0	140	67	67	16	14,5	16,5	0,137000	PHE F120FTBFLG	PHE F120NRTYRE	PHE F120FRTYRE
120	H	3020	25	75	65,5	51	-	-	-	314	262,0	140	67	55	16	14,5	15,9	0,130000	PHE F120HTBFLG	PHE F120NRTYRE	PHE F120FRTYRE
140	B	-	60	125	-	-	110,5	94	M20	359	312,5	180	73	-	17	16,0	22,2	0,254000	PHE F140RSBFLG	PHE F140NRTYRE	PHE F140FRTYRE
140	F	3525	35	100	81,0	65	-	-	-	359	312,5	180	73	67	17	16,0	22,3	0,255000	PHE F140FTBFLG	PHE F140NRTYRE	PHE F140FRTYRE
140	H	3525	35	100	81,0	65	-	-	-	359	312,5	180	73	67	17	16,0	22,3	0,255000	PHE F140HTBFLG	PHE F140NRTYRE	PHE F140FRTYRE
160	B	-	65	140	-	-	117,0	102	M20	402	348,0	197	78	-	19	15,0	35,8	0,469000	PHE F160RSBFLG	PHE F160NRTYRE	PHE F160FRTYRE
160	F	4030	40	115	91,0	76	-	-	-	402	348,0	197	78	80	19	15,0	32,5	0,380000	PHE F160FTBFLG	PHE F160NRTYRE	PHE F160FRTYRE
160	H	4030	40	115	91,0	76	-	-	-	402	348,0	197	78	80	19	15,0	32,5	0,380000	PHE F160HTBFLG	PHE F160NRTYRE	PHE F160FRTYRE
180	B	-	70	150	-	-	137,0	114	M20	470	396,0	205	94	-	19	23,0	49,1	0,871000	PHE F180RSBFLG	PHE F180NRTYRE	PHE F180FRTYRE
180	F	4535	55	125	112,0	89	-	-	-	470	396,0	205	94	89	19	23,0	42,2	0,847000	PHE F180FTBFLG	PHE F180NRTYRE	PHE F180FRTYRE
180	H	4535	55	125	112,0	89	-	-	-	470	396,0	205	94	89	19	23,0	42,2	0,847000	PHE F180HTBFLG	PHE F180NRTYRE	PHE F180FRTYRE
200	B	-	75	150	-	-	138,0	114	M20	508	432,0	205	103	-	19	24,0	58,2	1,301000	PHE F200RSBFLG	PHE F200NRTYRE	PHE F200FRTYRE
200	F	4535	55	125	113,0	89	-	-	-	508	432,0	205	103	89	19	24,0	53,6	1,281000	PHE F200FTBFLG	PHE F200NRTYRE	PHE F200FRTYRE
200	H	4535	55	125	113,0	89	-	-	-	508	432,0	205	103	89	19	24,0	53,6	1,281000	PHE F200HTBFLG	PHE F200NRTYRE	PHE F200FRTYRE
220	B	-	80	160	-	-	154,5	127	M20	562	472,0	224	118	-	20	27,5	79,6	2,142000	PHE F220RSBFLG	PHE F220NRTYRE	PHE F220FRTYRE
220	F	5040	70	125	129,5	102	-	-	-	562	472,0	224	118	92	20	27,5	72,0	2,104000	PHE F220FTBFLG	PHE F220NRTYRE	PHE F220FRTYRE
220	H	5040	70	125	129,5	102	-	-	-	562	472,0	224	118	92	20	27,5	72,0	2,104000	PHE F220HTBFLG	PHE F220NRTYRE	PHE F220FRTYRE
250	B	-	90	190	-	-	161,5	132	M20	628	532,0	254	125	-	25	29,5	104,0	3,505000	PHE F250RSBFLG	PHE F250NRTYRE	PHE F250FRTYRE

¹⁾ The clearance required to allow tightening of the clamping screws and the taper bushing. Use of a shortened wrench will reduce this dimension.

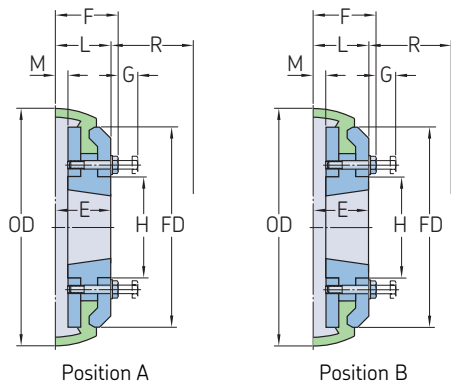
²⁾ The amount by which the clamping screws need to be withdrawn to release the tyre.

For coupling sizes 70, 80, 100 and 120, "F" flanges require a larger bushing than "H" flanges.

Mass and inertia figures are for a single flange with midrange bore and include clamping ring, screws, washers and half tyre.

SKF Flex couplings

SKF Flex flanges type R



Size	Bushing number	Bore		Dimensions									Mass	Inertia	Designation				
		Min.	Max.	L	E	R ¹⁾	Key screw	OD	FD	H	F	G ²⁾				M			
		mm															kg	kg/m ²	-
70	1610	14	42	37,0	25	42	M8	187	142	80	44,25	13	11,5	3,0	9,000	PHE F70RTBFLG			
80	2012	14	50	45,5	32	48	M8	211	165	98	52,75	16	12,5	4,6	0,017	PHE F80RTBFLG			
90	2517	16	60	58,5	45	48	M10	235	187	112	67,86	16	13,5	7,0	0,031	PHE F90RTBFLG			
100	2517	16	60	59,5	45	55	M10	254	214	125	68,86	16	13,5	9,4	0,054	PHE F100RTBFLG			
110	3020	25	75	64,5	51	55	M10	279	232	134	73,68	16	12,5	11,7	0,078	PHE F110RTBFLG			
120	3020	25	75	66,5	51	67	M12	314	262	140	77,18	16	14,5	15,9	0,130	PHE F120RTBFLG			

¹⁾ Is the clearance required to allow tightening of the clamping screws and the tapered bushing. Use of a shortened wrench will reduce this dimension.

²⁾ The distance that the clamping screws need to be withdrawn to release the tyre.

For coupling sizes 70, 80, 100 and 120 "F" flanges require a larger bushing than "H" flanges.

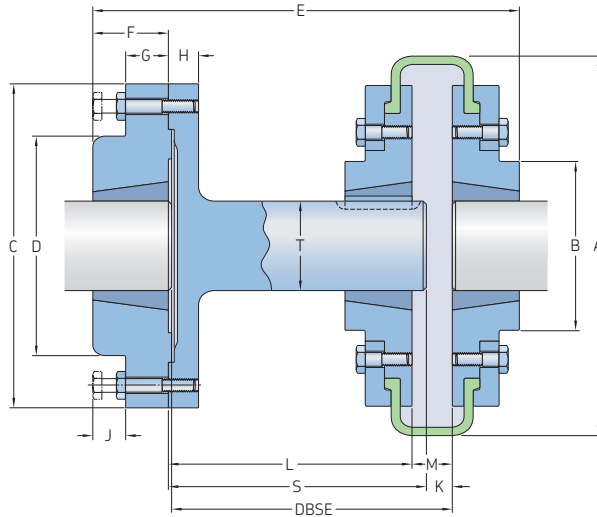
Mass and inertia figures are for a single flange with midrange bore and include clamping rings, screws, washers and a half tyre.

SKF Flex spacer coupling

The SKF Flex coupling spacer is used to join two shafts ends that cannot be positioned close enough to allow use of just a coupling.

The spacer also allows removal of a shaft without the need to move either the driving or the driven machine. For example, this allows easy and fast replacement of impellers in pump applications.

Coupling size	Distance between shaft ends (DBSE)		Spacer bushing number	Bore		Coupling bushing number	Bore		Designation
	Nominal			Min.	Max.		Min.	Max.	
	Min.	Max.		Min.	Max.		Min.	Max.	
mm									–
40	80	90	1210	11	32	1008	9	25	PHE SM12-80DBSE
40	100	110	1210	11	32	1008	9	25	PHE SM12-100DBSE
40	100	113	1615	14	42	1008	9	25	PHE SM16-100DBSE
40	140	150	1615	14	42	1008	9	25	PHE SM16-140DBSE
50	100	116	1615	14	42	1210	11	32	PHE SM16-100DBSE
50	140	156	1615	14	42	1210	11	32	PHE SM16-140DBSE
60	100	124	1615	14	42	1610	14	42	PHE SM16-100DBSE
60	140	164	1615	14	42	1610	14	42	PHE SM16-140DBSE
70	100	114	2517	16	60	2012	14	50	PHE SM25-100DBSE
70	140	154	2517	16	60	2012	14	50	PHE SM25-140DBSE
70	180	194	2517	16	60	2012	14	50	PHE SM25-180DBSE
80	100	117	2517	16	60	2517	16	60	PHE SM25-100DBSE
80	140	157	2517	16	60	2517	16	60	PHE SM25-140DBSE
80	180	197	2517	16	60	2517	16	60	PHE SM25-180DBSE
90	140	158	2517	16	60	2517	16	60	PHE SM25-140DBSE
90	180	198	2517	16	60	2517	16	60	PHE SM25-180DBSE
100	140	158	3020	25	75	3020	25	75	PHE SM30-140DBSE
100	180	198	3020	25	75	3020	25	75	PHE SM30-180DBSE
110	140	156	3020	25	75	3020	25	75	PHE SM30-140DBSE
110	180	196	3020	25	75	3020	25	75	PHE SM30-180DBSE
120	140	160	3525	35	100	3525	35	100	PHE SM35-140DBSE
120	180	200	3525	35	100	3525	35	100	PHE SM35-180DBSE
140	140	163	3525	35	100	3525	35	100	PHE SM35-140DBSE
140	180	203	3525	35	100	3525	35	100	PHE SM35-180DBSE



Coupling size	Dimensions														Designation
	A	B	C	D	E	F	G	H	J	K	L	M	S	T	
mm															-
40	104	82	118	83	134	25	14	15	14	6	65	22	77	25	PHE SM12-80DBSE
40	104	82	118	83	140	25	14	15	14	22	77	22	77	25	PHE SM12-100DBSE
40¹⁾	104	82	127	80	157	38	18	15	14	9	88	22	94	32	PHE SM16-100DBSE
40¹⁾	104	82	127	80	187	38	18	15	14	9	128	22	134	32	PHE SM16-140DBSE
50	133	79	127	80	160	38	18	15	14	9	85	25	94	32	PHE SM16-100DBSE
50	133	79	127	80	200	38	18	15	14	9	125	25	134	32	PHE SM16-140DBSE
60	165	103	127	80	161	38	18	15	14	9	78	33	94	32	PHE SM16-100DBSE
60	165	103	127	80	201	38	18	15	14	9	118	33	134	32	PHE SM16-140DBSE
70²⁾	187	80	178	123	180	45	22	16	14	9	80	23	94	48	PHE SM25-100DBSE
70²⁾	187	80	178	123	220	45	22	16	14	9	120	23	174	48	PHE SM25-140DBSE
70²⁾	187	80	178	123	260	45	22	16	14	9	160	23	174	48	PHE SM25-180DBSE
80	211	95	178	123	193	45	22	16	14	9	78	25	94	48	PHE SM25-100DBSE
80	211	95	178	123	233	45	22	16	14	9	118	25	134	48	PHE SM25-140DBSE
80	211	95	178	123	273	45	22	16	14	9	158	25	174	48	PHE SM25-180DBSE
90	235	108	178	123	233	45	22	16	14	9	116	27	134	48	PHE SM25-140DBSE
90	235	108	178	123	273	45	22	16	14	9	156	27	174	48	PHE SM25-180DBSE
100	254	120	216	146	245	51	29	20	17	9	116	27	134	60	PHE SM30-140DBSE
100	254	120	216	146	285	51	29	20	17	9	156	27	174	60	PHE SM30-180DBSE
110	279	134	216	146	245	51	29	20	17	9	118	25	134	60	PHE SM30-140DBSE
110	279	134	216	146	285	51	29	20	17	9	158	25	174	60	PHE SM30-180DBSE
120	314	140	248	178	272	63	34	20	17	9	114	29	134	80	PHE SM35-140DBSE
120	314	140	248	178	312	63	34	20	17	9	154	29	174	80	PHE SM35-180DBSE
140	359	178	248	178	271	63	34	20	17	9	111	27	134	80	PHE SM35-140DBSE
140	359	178	248	178	312	63	34	20	17	9	151	27	174	80	PHE SM35-180DBSE

¹⁾ F40 "B" Flange must be used to fit spacer shaft
²⁾ "F" Flange must be used to fit spacer shaft

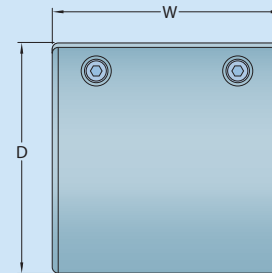
Chain couplings

Chain couplings are able to transmit higher torque than their shafts, making them ideal for high torque applications. Available with a pilot bore, finished bore or tapered bushing (face or hub), flanges are linked together with duplex roller chains enabling them to accommodate up to 2 degrees of misalignment.

To provide maximum service life and reliability, particularly for high speed applications, SKF recommends fitting all chain couplings with a cover and lubricating them properly. If a chain coupling is to be subjected to reversing operations, shock or pulsating loads, or other severe operating conditions, select a coupling one size larger than normal.

Coupling covers

Cover size	Aluminium	W	Weight	Plastic	W	Weight
	D			D		
-	mm		kg	mm		kg
IS0816 ¹⁾	101,6	50,8	0,42	101,6	58,7	0,90
IS1016 ¹⁾	130,2	60,3	0,59	130,2	66,7	1,32
IS1018 ¹⁾	130,2	60,3	0,59	130,2	66,7	1,32
IS1218 ¹⁾	161,9	74,6	1,20	175,0	77,8	1,98
IS1220 ¹⁾	161,9	74,6	1,20	175,0	77,8	1,98
IS1222 ¹⁾	208,0	101,6	1,45	175,0	77,8	2,22
IS1618 ¹⁾	208,0	101,6	1,45	210,0	106,0	2,22
IS1620 ¹⁾	208,0	101,6	1,45	210,0	106,0	2,22
IS2018	257,2	133,4	4,80	238,1	150,8	3,97
IS2020	257,2	133,4	4,80	257,2	133,4	5,74
IS2418	288,9	187,3	8,10	288,9	187,3	7,47
IS2422	336,6	201,6	9,20	336,6	201,6	8,85



¹⁾ Will be supplied in plastic unless otherwise specified

Order data

Size	Hub		Chain						Covers						
	Plain Bore	Qty	FTB ¹⁾	Qty	HTB ²⁾	Qty	Bored to size ²⁾	Qty	Qty	Qty					
816	PHE IS0816RSB	2	and/or	PHE IS0816FTB	2	and/or	PHE IS0816HTB	2	and/or	PHE IS0816X...	2	PHE IS0816CHN	1	PHE IS0816COVER	1
1016	PHE IS1016RSB	2	and/or	-	2	and/or	-	2	and/or	PHE IS1016X...	2	PHE IS1016CHN	1	PHE IS1016COVER	1
1018	PHE IS1018RSB	2	and/or	PHE IS1018FTB	2	and/or	PHE IS1018HTB	2	and/or	PHE IS1018X...	2	PHE IS1018CHN	1	PHE IS1018COVER	1
1218	PHE IS1218RSB	2	and/or	-	2	and/or	-	2	and/or	PHE IS1218X...	2	PHE IS1218CHN	1	PHE IS1218COVER	1
1220	PHE IS1220RSB	2	and/or	PHE IS1220FTB	2	and/or	PHE IS1220HTB	2	and/or	PHE IS1220X...	2	PHE IS1220CHN	1	PHE IS1220COVER	1
1222	PHE IS1222RSB	2	and/or	-	2	and/or	-	2	and/or	PHE IS1222X...	2	PHE IS1222CHN	1	PHE IS1222COVER	1
1618	PHE IS1618RSB	2	and/or	-	2	and/or	-	2	and/or	PHE IS1618X...	2	PHE IS1618CHN	1	PHE IS1618COVER	1
1620	PHE IS1620RSB	2	and/or	PHE IS1620FTB	2	and/or	PHE IS1620HTB	2	and/or	PHE IS1620X...	2	PHE IS1620CHN	1	PHE IS1620COVER	1
2018	PHE IS2018RSB	2	and/or	-	2	and/or	-	2	and/or	PHE IS2018X...	2	PHE IS2018CHN	1	PHE IS2018COVER	1
2020	PHE IS2020RSB	2	and/or	PHE IS2020FTB	2	and/or	PHE IS2020HTB	2	and/or	PHE IS2020X...	2	PHE IS2020CHN	1	PHE IS2020COVER	1
2418	PHE IS2418RSB	2	and/or	-	2	and/or	-	2	and/or	PHE IS2418X...	2	PHE IS2418CHN	1	PHE IS2418COVER	1
2422	PHE IS2422RSB	2	and/or	-	2	and/or	-	2	and/or	PHE IS2422X...	2	PHE IS2422CHN	1	PHE IS2422COVER	1

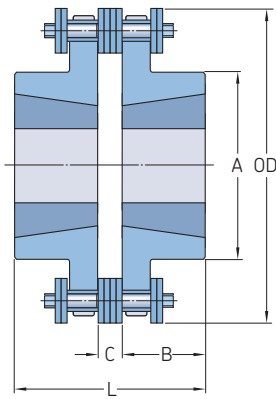
A complete chain coupling consists of: 2 hubs, 1 chain and 1 cover.

¹⁾ Following chain coupling taper bush assembly configurations are possible: 2 hubs HTB or 2 hubs FTB or 1 hub HTB and 1 hub FTB.

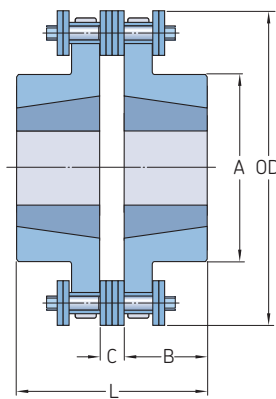
²⁾ To complete bored to size designation, add bore size. For example: PHE IS1016X22MM designates hub size IS1016 with a 22 mm bore.

Chain couplings

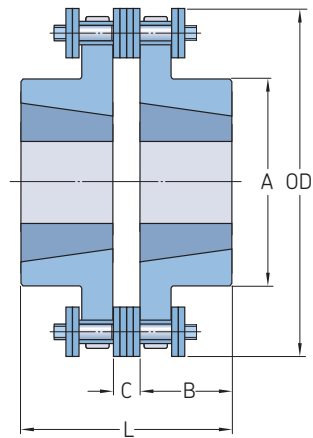
Bored-to-size and taper bushed types FTB and HTB



Assembly configuration HH



Assembly configuration FF



Assembly configuration FH

Coupling size	Bushing number	Bore		Dimensions				Mass	Speed	Nominal torque	Chain mass	Hub designation	Plain bore		Bored to size	
		Min.	Max.	A	B	C	L						OD	FTB		HTB
–	–	mm						kg	r/min	Nm	kg	–	–	–	–	
0816	– 1108	15,9 12,7	23,8 28,6	50,0 50,0	28,96 22,20	7,1 7,1	65,0 51,6	77,0 77,0	0,45 0,41	5 000 5 000	294 294	0,23 0,23	PHE IS0816RSB –	– PHE IS0816FTB	– PHE IS0816HTB	PHE IS0816X... –
1016	–	15,9	42,9	63,5	36,88	9,5	83,3	96,0	1,00	4 000	559	0,54	PHE IS1016RSB	–	–	PHE IS1016X...
1018	– 1610	19,1 12,7	50,8 41,3	75,4 75,4	43,26 25,40	9,5 9,5	87,1 60,3	106,4 106,4	1,59 0,50	3 600 3 600	706 706	0,59 0,59	PHE IS1018RSB –	– PHE IS1018FTB	– PHE IS1018HTB	PHE IS1018X... –
1218	–	25,4	61,9	88,9	47,60	11,1	106,3	127,0	2,27	3 000	1 333	1,00	PHE IS1218RSB	–	–	PHE IS1218X...
1220	– 2012	28,6 12,7	69,9 50,8	98,4 98,4	50,80 31,80	11,1 11,1	112,7 74,6	139,7 139,7	2,95 1,23	2 500 2 500	1 559 1 559	1,18 1,18	PHE IS1220 –	– PHE IS1220FTB	– PHE IS1220HTB	PHE IS1220X... –
1222	–	28,6	76,2	114,3	54,00	11,1	119,1	151,2	4,31	2 500	1 794	1,23	PHE IS1222RSB	–	–	PHE IS1222X...
1618	–	28,6	79,4	115,9	60,70	14,7	136,1	169,1	4,99	2 000	2 961	2,40	PHE IS1618RSB	–	–	PHE IS1618X...
1620	– 3020	38,1 23,8	90,5 76,2	136,5 136,5	66,10 50,00	14,7 14,7	146,9 116,3	185,3 185,3	7,40 2,77	2 000 2 000	3 579 3 579	2,68 2,68	PHE IS1620RSB –	– PHE IS1620FTB	– PHE IS1620HTB	PHE IS1620X... –
2018	–	38,1	98,4	144,5	70,90	18,3	160,1	211,5	9,21	1 800	4 981	4,45	PHE IS2018RSB	–	–	PHE IS2018X...
2020	– 3535	38,1 30,2	117,5 88,9	170,7 170,7	79,80 88,90	18,3 18,3	177,9 196,1	231,8 231,8	14,43 8,62	1 800 1 800	6 688 6 688	4,95 4,95	PHE IS2020RSB –	– PHE IS2020FTB	– PHE IS2020HTB	PHE IS2020X... –
2418	–	50,8	119,1	171,5	88,30	21,8	198,4	254,0	16,70	1 500	10 032	7,85	PHE IS2418RSB	–	–	PHE IS2418X...
2422	–	50,8	155,6	222,3	102,10	21,8	226,0	302,0	31,76	1 200	12 993	9,62	PHE IS2422RSB	–	–	PHE IS2422X...

Rigid couplings

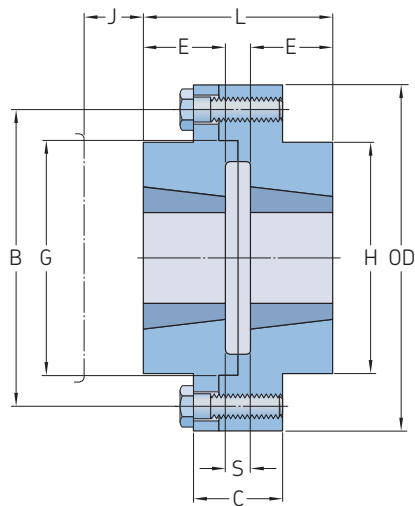
Taper bush rigid couplings provide a convenient method of rigidly connecting ends of shafts. Taper bushes permit easier and quicker fixing to the shafts with the firmness of a shrunk on fit. These couplings have a fully machined male and female flange. The male flange can have the bushing fitted from the hub side A (MH) or from the flange side B (H); the female flange (F) always has the bushing fitted from the flange side B. This gives two possible coupling assemblies: AB and BB. When connecting horizontal shafts, the most convenient assembly should be chosen. For connecting vertical shafts, use assembly BB only.

Order data

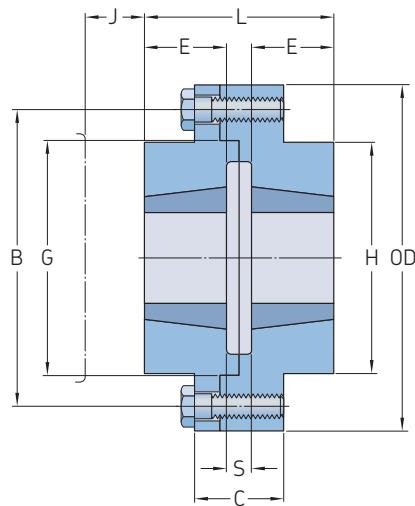
Coupling assembly	Male	Qty	Female	Qty	
A/B	PHE R12MHTB	1	PHE R12FTB	1	
	PHE R16MHTB	1	PHE R16FTB	1	
	PHE R25MHTB	1	PHE R25FTB	1	
	PHE R30MHTB	1	PHE R30FTB	1	
	PHE R35MHTB	1	PHE R35FTB	1	
	PHE R40MHTB	1	PHE R40FTB	1	
	PHE R45MHTB	1	PHE R45FTB	1	
	PHE R50MHTB	1	PHE R45FTB	1	
	B/B	PHE R12HTB	1	PHE R12FTB	1
		PHE R16HTB	1	PHE R16FTB	1
		PHE R25HTB	1	PHE R25FTB	1
		PHE R30HTB	1	PHE R30FTB	1
PHE R35HTB		1	PHE R35FTB	1	
PHE R40HTB		1	PHE R40FTB	1	
PHE R45HTB		1	PHE R45FTB	1	
PHE R50HTB		1	PHE R50FTB	1	

A complete coupling consists of one male and one female flange.
 Example: Coupling assembly AB PHE R12MHTB and PHE R12FTB
 Coupling assembly BB PHE R12HTB and PHE R12FTB

Rigid couplings



Assembly configuration AB



Assembly configuration BB

Coupling size	Bushing data Bushing number	Bore Max.	Dimensions									Mass ³⁾ kg	
			D	C	E	H	G Nominal	B Nominal	S ¹⁾	J ²⁾	L		
–	–	mm	mm										
R12	1210	32	118	35	25	83	76	102	7	38	57	3,5	
R16	1615	42	127	43	38	80	89	105	7	38	83	4,5	
R25	2517	60	178	51	45	123	127	149	7	48	97	11,0	
R30	3020	75	216	65	51	146	152	181	7	54	109	20,0	
R35	3525	100	248	75	65	178	178	213	7	67	137	34,0	
R40	4030	110	298	76	76	210	216	257	7	79	159	59,0	
R45	4535	125	330	86	89	230	241	246	7	89	185	80,0	
R50	5040	125	362	92	102	266	267	314	7	92	211	135,0	

¹⁾ J is the wrench clearance to allow for tightening and loosening the bushing on the shaft. The use of a shortened wrench will permit this dimension to be reduced

²⁾ S is the distance between shaft ends

³⁾ Mass given is for couplings with midrange taper bushings.

FRC couplings

With a higher load capacity than jaw couplings and maintenance-free operation, FRC couplings are designed as a general purpose coupling. They are able to cushion moderate shock loads, dampen low levels of vibration and accommodate incidental misalignment. FRC couplings offer a range of hub and element selection to meet the demand for low cost, general purpose flexible coupling.

FRC couplings are phosphate coated for improved corrosion resistance and available with fire-resistant and anti-static elements (FRAS). FRC couplings are available with a pilot bore, finished bore or tapered bushing (face or hub) to make installation quick and simple.

Fully machined outside surfaces allow alignment with a simple straight edge. Shaft connections are fail safe due to their interlocking jaw design.

Assembled coupling characteristics

Size	Assembled length comprising flange types			Mass	Inertia	Torsional stiffness	Misalignment			Nominal torque	Max torque
	FF,FH,HH	FB,HB	BB				Angular	Parallel	Axial		
–	mm			kg	kg/m ²	Nm/°	°	mm		Nm	
70	65,0	65,0	65,0	1,00	0,00085	–	1	0,3	0,2	31,5	72
90	69,5	76,0	82,5	1,17	0,00115	–	1	0,3	0,5	80,0	180
110	82,0	100,5	119,0	5,00	0,004	65	1	0,3	0,6	160,0	360
130	89,0	110,0	131,0	5,46	0,0078	130	1	0,4	0,8	315,0	720
150	107,0	129,5	152,0	7,11	0,0181	175	1	0,4	0,9	600,0	1 500
180	142,0	165,5	189,0	16,60	0,0434	229	1	0,4	1,1	950,0	2 350
230	164,5	202,0	239,5	26,00	0,1207	587	1	0,5	1,3	2 000,0	5 000
280	207,5	246,5	285,5	50,00	0,4465	1 025	1	0,5	1,7	3 150,0	7 200

Mass is for an FF, FH or HH coupling with mid range taper bushes.

Order data

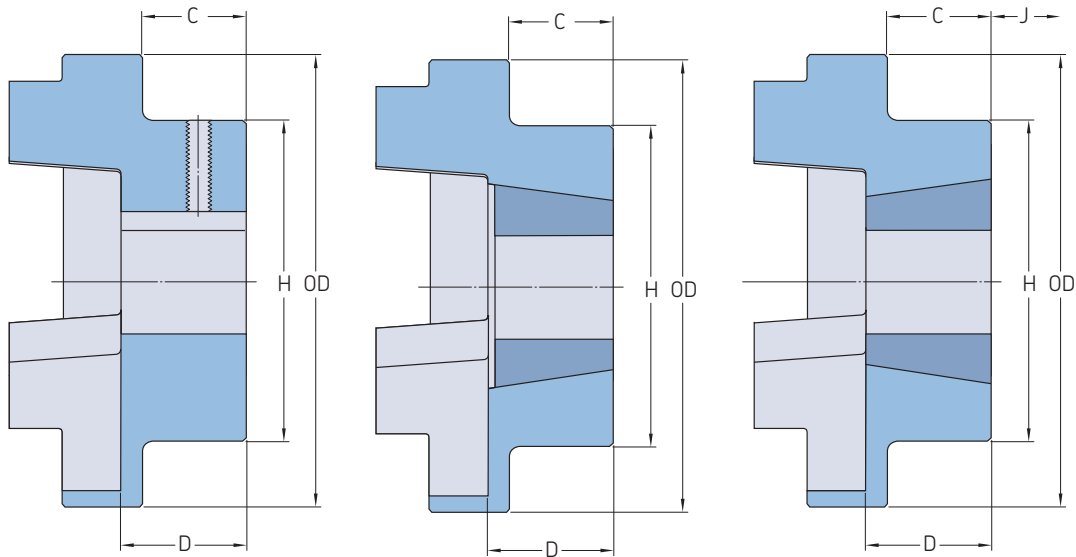
Coupling type	Flanges	Qty	Element	Qty	Taper bush	Qty
RSB both sides	PHE FRC70RSB –	2 –	PHE FRC70NR or PHE FRC70FR	1 –	– –	– –
RSB/F Combination	PHE FRC70RSB PHE FRC70FTB	1 1	PHE FRC70NR or PHE FRC70FR	1 –	PHF TB1008X...MM –	1 1
RSB/H Combination	PHE FRC70RSB PHE FRC70HTB	1 1	PHE FRC70NR or PHE FRC70FR	1 –	PHF TB1008X...MM –	1 1
F/F Combination	PHE FRC70FTB PHE FRC70FTB	1 1	PHE FRC70NR or PHE FRC70FR	1 –	PHF TB1008X...MM PHF TB1008X...MM	1 1
H/H Combination	PHE FRC70HTB PHE FRC70HTB	1 1	PHE FRC70NR or PHE FRC70FR	1 –	PHF TB1008X...MM PHF TB1008X...MM	1 1
F/H Combination	PHE FRC70FTB PHE FRC70HTB	1 1	PHE FRC70NR or PHE FRC70FR	1 –	PHF TB1008X...MM PHF TB1008X...MM	1 1

NR = Natural rubber

FR = Fire-resistant and anti-static (FRAS)

A complete FRC coupling consists of: 2 hubs and 1 element.

FRC couplings



Type B

Type F

Type H

Coupling size	Dimensions		Bushing number Type F, H	Bore		C	D	J*	Type B	Bore Pilot	Key screw	C	D
	OD	H		Min.	Max.				Max.				
– mm													
70	69	60	1008	9	25	20,0	23,5	29	32	10	M6	20	25,8
90	85	70	1108	9	28	19,5	23,5	29	38	10	M6	26	30,0
110	112	100	1610	14	42	18,5	26,5	38	55	10	M10	37	45,3
130	130	105	1610	14	42	18,0	26,5	38	60	20	M10	39	47,5
150	150	115	2012	14	50	23,5	33,5	42	70	28	M10	46	60,0
180	180	125	2517	16	60	34,5	46,5	48	80	28	M10	58	70,0
230	225	155	3020	25	75	39,5	52,5	55	100	45	M12	77	90,0
280	275	206	3525	35	100	51,0	66,5	67	115	55	M16	90	105,5

* Clearance required for tightening/loosening the bushing on the shaft

Jaw couplings

Jaw couplings provide a cost-effective solution for standard power applications, helping to cushion moderate shock loads and dampen low vibration levels.

Maintenance-free and easy to install, jaw couplings are available with a snap wrap element allowing element replacement in situ.

Urethane and hytrel elements have a greater power rating than nitrile elements and are recommended for applications where a compact, high torque solution is required.

Standard bore and keyway chart

Bore	Keyway	Coupling Size									
		50	70	75	90	95	100	110	150	190	225
mm		-									
9	3 x 1,4	X	X	X	X	-	-	-	-	-	-
10	3 x 1,4	X	X	X	X	-	-	-	-	-	-
11	4 x 1,8	X	X	X	X	-	-	-	-	-	-
12	4 x 1,8	X	X	X	X	X	-	-	-	-	-
14	5 x 2,3	X	X	X	X	X	X	-	-	-	-
15	5 x 2,3	-	X	X	X	X	X	-	-	-	-
16	5 x 2,3	-	X	X	X	X	X	X	X	-	-
17	5 x 2,3	-	X	X	X	X	X	X	X	-	-
18	6 x 2,8	-	X	X	X	X	X	X	X	-	-
19	6 x 2,8	-	X	X	X	X	X	X	X	X	-
20	6 x 2,8	-	-	X	X	X	X	X	X	X	-
22	6 x 2,8	-	-	X	X	X	X	X	X	X	-
24	8 x 3,3	-	-	-	X	X	X	X	X	X	X
25	8 x 3,3	-	-	-	-	X	X	X	X	X	X
28	8 x 3,3	-	-	-	-	X	X	X	X	X	X
30	8 x 3,3	-	-	-	-	-	X	X	X	X	X
32	10 x 3,3	-	-	-	-	-	X	X	X	X	X
35	10 x 3,3	-	-	-	-	-	X	X	X	X	X
38	10 x 3,3	-	-	-	-	-	X	X	X	X	X
40	12 x 3,3	-	-	-	-	-	-	X	X	X	X
42	12 x 3,3	-	-	-	-	-	-	X	X	X	X
45	14 x 3,8	-	-	-	-	-	-	-	X	X	X
48	14 x 3,8	-	-	-	-	-	-	-	X	X	X
50	14 x 3,8	-	-	-	-	-	-	-	-	X	X
55	16 x 4,3	-	-	-	-	-	-	-	-	X	X
60	18 x 4,4	-	-	-	-	-	-	-	-	-	X

Order data

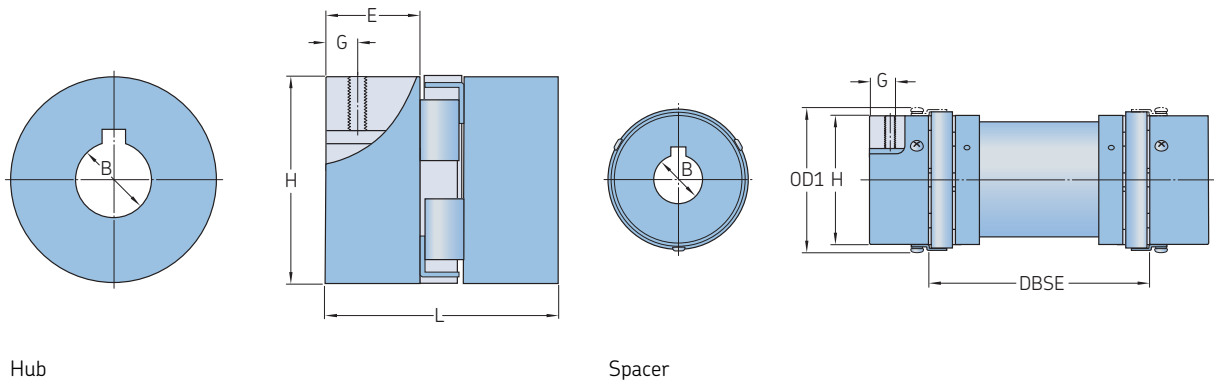
Coupling type	Flanges	Qty	Element	Qty	Spacer shaft	Qty	Nitrile wrap element	Qty	Ring kit	Qty
RSB both sides	PHE L095HUB	2	PHE L095NR or	1	PHE L090X ... SPACER	1	PHE L090NRWRAP	2	PHE L090RINGKIT	2
	-	-	PHE L095UR	-	-	-	-	-	-	-
	-	-	PHE L095HL	-	-	-	-	-	-	-
Bore with keyway/RSB combination	PHE L095HUB	1	PHE L095NR or	1	PHE L090X ... SPACER	1	PHE L090NRWRAP	2	PHE L090RINGKIT	2
	PHE L095 - ... MM	1	PHE L095UR	-	-	-	-	-	-	-
	-	-	PHE L095HL	-	-	-	-	-	-	-
Bore with keyway on both sides	PHE L095 - ... MM	2	PHE L095NR or	1	PHE L090X ... SPACER	1	PHE L090NRWRAP	2	PHE L090RINGKIT	2
	-	-	PHE L095UR	-	-	-	-	-	-	-
	-	-	PHE L095HL	-	-	-	-	-	-	-
Bore only/RSB combination	PHE L095 - ... MMP	1	PHE L095NR or	1	PHE L090X ... SPACER	1	PHE L090NRWRAP	2	PHE L090RINGKIT	2
	PHE L095HUB	1	PHE L095UR	-	-	-	-	-	-	-
	-	-	PHE L095HL	-	-	-	-	-	-	-
Bore only	PHE L095 - ... MMP	2	PHE L095NR or	1	PHE L090X ... SPACER	1	PHE L090NRWRAP	2	PHE L090RINGKIT	2
	-	-	PHE L095UR	-	-	-	-	-	-	-
	-	-	PHE L095HL	-	-	-	-	-	-	-
Bore only/bore with keyway combination	PHE L095 - ... MMP	1	PHE L095NR or	1	PHE L090X ... SPACER	1	PHE L090NRWRAP	2	PHE L090RINGKIT	2
	PHE L095 - ... MM	1	PHE L095UR	-	-	-	-	-	-	-
	-	-	PHE L095HL	-	-	-	-	-	-	-

NR = Nitrile
UR = Urethane
HL = Hytrel

A complete jaw coupling consists of: 2 hubs and 1 element and a complete coupling with spacer consists of 2 hubs, 2 nitrile elements, 2 ring kits and 1 spacer.
Available spacer shaft lengths are 100 mm and 140 mm. To complete the designation, add spacer length. For example: PHE L090X100SPACER for spacer of 100 mm, coupling size 090.
When ordering bored to size and keywayed hubs, it is required that the bore diameter is added to the designation found in the table above.

Where a keyway is NOT required, the designation should be suffixed with a P.
PHE L150-18MM = Hub Size 150 with 18 mm bore and keyway.
PHE L070-16MMP = Hub Size 070 with 16 mm bore (no keyway).

Jaw couplings



Hub

Spacer

Size	Dimensions								Set screw	Approx mass ²⁾	Speed	Designation
	Bore	Pilot	Max.	OD	OD1 ¹⁾	L	E	H				
mm												
35	3,20	9,5	15,9	–	20,6	6,7	15,9	–	–	0,03	31 000	PHE L035HUB
50	6,35	14,0	27,5	–	44,0	16,0	27,5	6,5	M6	0,05	18 000	PHE L050HUB
70	6,35	19,0	35,0	–	51,0	19,0	35,0	9,5	M6	0,12	14 000	PHE L070HUB
75	6,35	24,0	44,5	–	54,0	21,0	44,5	9,0	M6	0,22	11 000	PHE L075HUB
90	6,35	24,0	54,0	–	54,0	21,0	54,0	8,7	M6	0,28	9 000	PHE L090HUB
95	11,11	28,0	54,0	64	64,0	25,0	54,0	11,0	M8	0,31	9 000	PHE L095HUB
100	12,70	35,0	65,0	77	89,0	35,0	65,0	11,0	M8	0,75	7 000	PHE L100HUB
110	15,87	42,0	84,0	97	108,0	43,0	84,0	19,0	M10	1,50	5 000	PHE L110HUB
150	15,87	48,0	96,0	112	115,0	45,0	96,0	22,0	M10	2,40	4 000	PHE L150HUB
190	19,05	55,0	115,0	130	133,0	54,0	102,0	22,0	M12	3,50	3 600	PHE L190HUB
225	19,05	60,0	127,0	143	153,0	64,0	108,0	29,0	M12	4,50	3 600	PHE L225HUB

¹⁾ Outer diameter of ring kit

²⁾ Mass of hub with pilot bores

DBSE = Distance between shaft ends

Hub material is high grade cast iron. Spacer material is aluminium.

Universal joints

SKF universal joints, also known as pin and block couplings, are commonly used for low to medium torque industrial, off-road and agricultural applications.

These couplings offer an economical solution for applications up to 1 800 r/min and will provide working angles of up to 25% or 35% for manual drives. SKF offers these couplings with a solid bore from stock; bored to size, square, hexagonal and round bores on request. The couplings are available in either a single (UJMA) or double (UJMB) configuration.

Order data

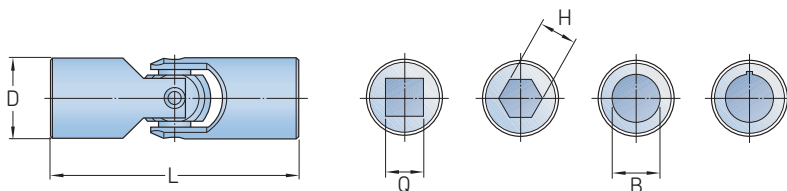
Universal joint type	Size	Qty
Single	PHE UJMA10	1
Double	PHE UJMB20	1

Available on request with finish bore, finish bore with keyway, hexagonal bore or square bore, e.g. the designations as shown below:

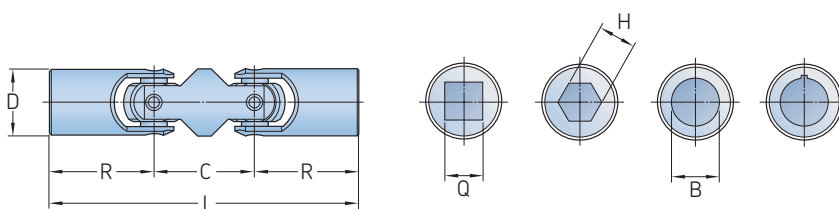
Universal joints with finish bore H7, with keyway (BSX30MM) – PHE UJMB45BSX30MM
Universal joints with finish bore H7, without keyway (X30MM) – PHE UJMB45X30MM
Universal joints with hexagonal bore (HBX30MM) – PHE UJMB45HBX30MM
Universal joints with square bore (SBX30MM) – PHE UJMB45SBX30MM

Universal joints

Single universal joints | Double universal joints



Size	Dimensions		Bore		Q	H	B Max.	B with keyway Max.	Static breaking torque	Designation
	L	D	B	B						
–	mm								Nm	–
10	38	10	6	6	6	6	6	–	13,5	PHE UJMA10
13	45	13	8	8	8	8	8	–	26,0	PHE UJMA13
16	52	16	8	8	8	8	10	8	45,0	PHE UJMA16
20	62	20	10	10	10	10	13	11	88,0	PHE UJMA20
25	74	25	12	12	12	12	16	14	180,0	PHE UJMA25
32	86	32	16	16	16	16	22	18	405,0	PHE UJMA32
40	108	40	20	20	20	20	25	22	860,0	PHE UJMA40
45	120	45	20	20	20	20	30	25	1 250,0	PHE UJMA45
50	132	50	25	25	25	25	35	30	1 730,0	PHE UJMA50
63	166	63	32	32	–	–	45	35	3 400,0	PHE UJMA63
75	190	75	40	40	–	–	55	45	5 300,0	PHE UJMA75



Size	Dimensions				Bore		B with keyway Max.	Q	H	Static breaking torque	Designation	
	L	R	D	C	B	B Max.						
–	mm										Nm	–
13	68	22,5	13	23	8	8	–	8	8	26	PHE UJMB13	
16	77	26,0	16	25	8	10	8	8	8	45	PHE UJMB16	
20	92	31,0	20	30	10	13	11	10	10	88	PHE UJMB20	
25	110	37,0	25	36	12	16	14	12	12	180	PHE UJMB25	
32	133	43,0	32	47	16	22	18	16	16	405	PHE UJMB32	
40	164	54,0	40	56	20	25	22	20	20	860	PHE UJMB40	
45	183	60,0	45	63	20	30	25	20	20	1 250	PHE UJMB45	
50	202	66,0	50	70	25	35	30	25	25	1 730	PHE UJMB50	
63	250	83,0	63	84	32	45	35	32	–	3 400	PHE UJMB63	
75	290	95,0	75	100	40	55	45	40	–	5 300	PHE UJMB75	



Bushings and Hubs



Taper bushings 128



Weld-on hubs 130



Bolt-on hubs / Adapters 131



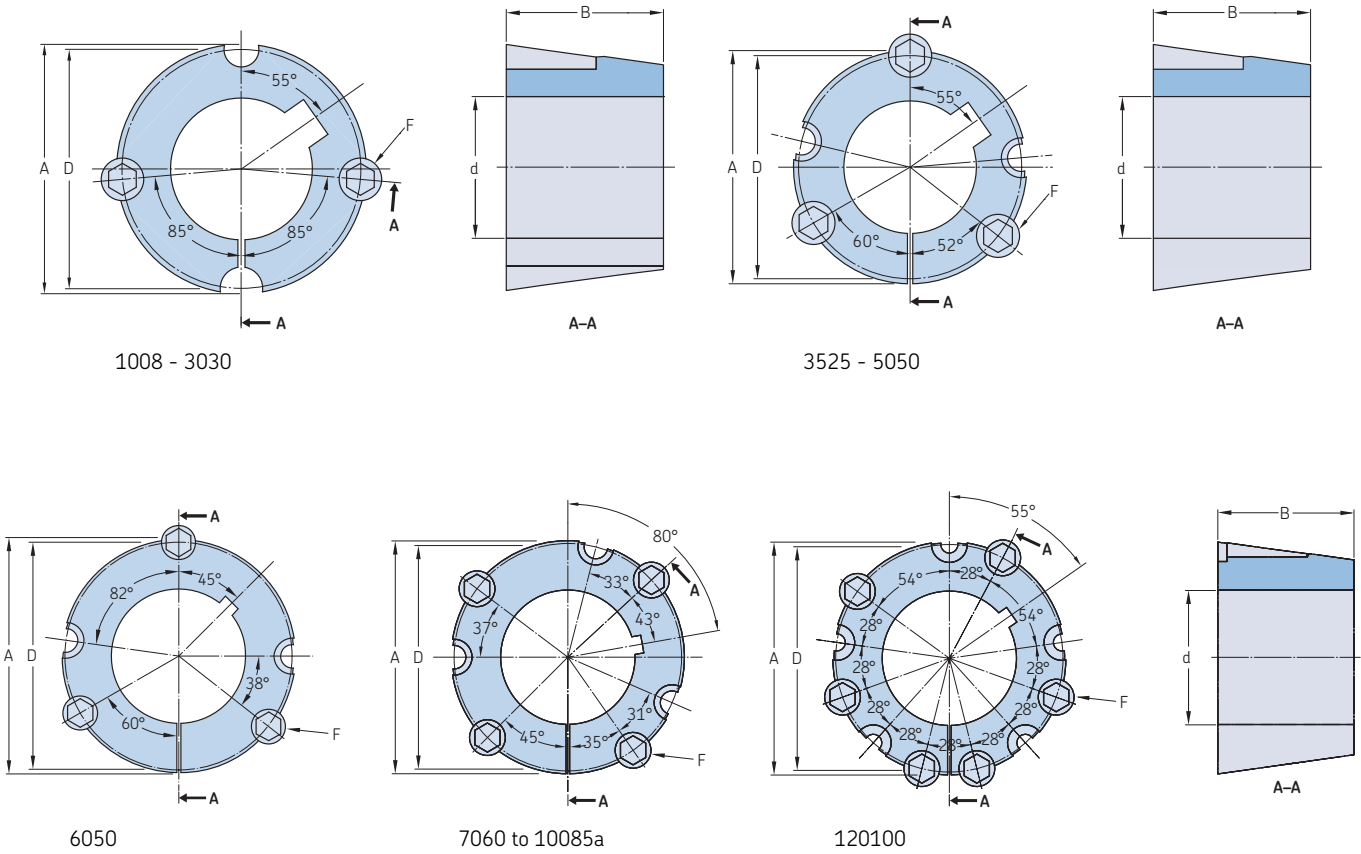
QD Bushings 132



QD Weld-on hubs 134

Taper bushings

Bushing number 1008 – 120100



Bushing number	Bore		Dimensions							Mass	Designation
	d Min.	Max.	A	B	D	E	F ²⁾				
	mm	in.	mm	in.	mm				kg		
1008	9	3/8	25	1	35,2	22,2	33,7	–	6,350 x 12,700	0,05	PHF TB1008X...
1108	9	3/8	28	1 1/8	38,4	22,2	36,9	–	6,350 x 12,700	0,08	PHF TB1108X...
1210	11	1/2	32	1 1/4	47,6	25,4	44,5	–	9,525 x 15,875	0,19	PHF TB1210X...
1215	11	1/2	32	1 1/4	47,6	38,1	44,5	–	9,525 x 15,875	0,27	PHF TB1215X...
1610	14	1/2	42	1 5/8	57,2	25,4	54,0	–	9,525 x 15,875	0,31	PHF TB1610X...
1615	14	1/2	42	1 5/8	57,2	38,1	54,0	–	9,525 x 15,875	0,46	PHF TB1615X...
2012	14	1/2	50	2	69,9	31,8	66,7	–	11,113 x 22,225	0,65	PHF TB2012X...
2017	14	1/2	50	2	69,9	44,5	66,7	–	11,113 x 22,225	0,91	PHF TB2017X...
2517 ¹⁾	16	1/2	60	2 1/2	85,7	44,5	82,6	–	12,700 x 25,400	1,47	PHF TB2517X...
2525	16	1/2	60	2 1/2	85,7	63,5	82,6	–	12,700 x 25,400	4,30	PHF TB2525X...
3020	25	1	75	3	108,0	50,8	101,6	–	15,875 x 31,750	2,25	PHF TB3020X...
3030	35	1	75	3	108,0	76,2	101,6	–	15,875 x 31,750	3,25	PHF TB3030X...
3525 ¹⁾	35	1 1/4	100	4	127,0	63,5	123,0	–	12,700 x 38,100	4,23	PHF TB3525X...
3535 ¹⁾	35	1 1/4	90	3 1/2	127,0	89,0	123,0	–	12,700 x 38,100	5,78	PHF TB3535X...
4030	40	1 3/4	115	4 1/4	146,0	76,2	141,0	–	15,875 x 44,450	7,00	PHF TB4030X...
4040	40	1 3/4	100	4	146,0	102,0	141,0	–	15,875 x 44,450	9,20	PHF TB4040X...
4535	55	2	125	5	161,0	89,0	156,0	–	19,050 x 50,800	9,10	PHF TB4535X...
4545	55	2	120	4 1/2	161,0	114,0	156,0	–	19,050 x 50,800	11,80	PHF TB4545X...
5040	70	2 5/8	140	5 1/2	178,0	101,6	171,0	–	22,255 x 57,150	12,26	PHF TB5040X...
5050	70	2 5/8	125	5	178,0	127,0	171,0	–	22,255 x 57,150	15,18	PHF TB5050X...
6050	95	3 7/8	150	6	235,0	127,0	228,6	171,5	31,800 x 88,900	25,00	PHF TB6050X...
7060	110	4 5/8	170	7	260,4	152,4	254,0	196,9	31,800 x 88,900	34,00	PHF TB7060X...
8065	130	5 1/16	190	8	285,8	165,1	279,4	222,3	31,800 x 88,900	45,00	PHF TB8065X...
10085	170	6 9/16	260	10	374,7	215,9	368,3	298,5	38,100 x 114,300	104,00	PHF TB10085X...
120100	200	7 9/16	290	12	438,2	254,0	431,8	362,0	38,100 x 114,300	163,00	PHF TB120100X...

Note: Bushings cannot be bored out larger than listed.

Bushings are supplied with screws: 1008 - 3030 (2 screws); 3525 - 6050 (3 screws); 7060 - 10085 (4 screws); and 120100 (6 screws).

¹⁾ Bushings are also available with coarse thread (UNC) according to ASME/ANSI standard. To complete designation, add U before bushing number and bore size at the end of designation, e.g. PHF TBU3525X70MM.

²⁾ Screw size x length.

A is the diameter at the face of the bush and D is the diameter at the tapered end.

To complete designation, add bore size. For example: PHF TB1215X16MM designates a 1215 taper bushing with a 16 mm bore.

Taper bushings

Bore and keyway dimensions

Metric bores and keyway

Bore diameter	Keyway Width	Depth	Shallow keyway depth	Bore sizes available															
				1008	1108	1210	1610	1615	2012	2517	3020	3030	3525	3535	4030	4040	4535	4545	5040
9	3	1,4	—	•	•														
10	3	1,4	—	•	•														
11	4	1,8	—	•	•	•													
12	4	1,8	—	•	•	•													
14	5	2,3	—	•	•	•	•	•											
15	5	2,3	—	•	•	•	•	•	•										
16	5	2,3	—	•	•	•	•	•	•	•									
18	6	2,8	—	•	•	•	•	•	•	•									
19	6	2,8	—	•	•	•	•	•	•	•									
20	6	2,8	—	•	•	•	•	•	•	•									
22	6	2,8	—	•	•	•	•	•	•	•									
24	8	3,3	1,3	•*	•	•	•	•	•	•									
25	8	3,3	1,3	•*	•	•	•	•	•	•									
28	8	3,3	1,3	•	•*	•	•	•	•	•									
30	8	3,3	—	•	•	•	•	•	•	•									
32	10	3,3	—		•	•	•	•	•	•									
35	10	3,3	—		•	•	•	•	•	•									
38	10	3,3	—		•	•	•	•	•	•									
40	12	3,3	1,3		•	•	•	•	•	•									
42	12	3,3	1,3		•	•	•	•	•	•									
45	14	3,8	—					•	•	•									
48	14	3,8	—					•	•	•									
50	14	3,8	—					•	•	•									
55	16	4,3	—						•	•									
60	18	4,4	—						•	•									
65	18	4,4	—							•									
70	20	4,9	—							•									
75	20	4,9	—							•									
80	22	5,4	—							•									
85	22	5,4	—							•									
90	25	5,4	—																
95	25	5,4	—																
100	28	6,4	4,4																
105	28	6,4	—																
110	28	6,4	—																
115	32	7,4	5,4																
120	32	7,4	—																
125	32	7,4	—																
130	32	7,4	—																
140	32	8,4	6,4																

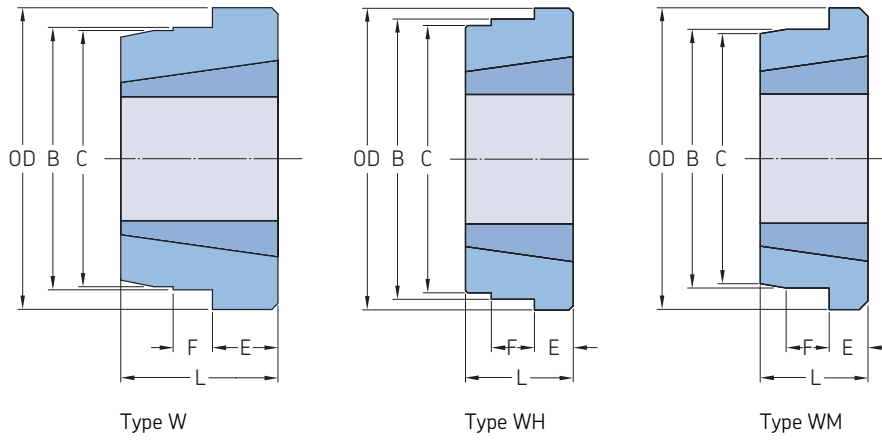
Inch bores and keyway

Bore diameter	Keyway Width	Depth	Shallow keyway depth	Bore sizes available															
				1008	1108	1210	1610	1615	2012	2517	3020	3030	3525	3535	4030	4040	4535	4545	5040
3/8	1/8	1/16	—	•	•														
1/2	1/8	1/16	—	•	•														
5/8	3/32	3/32	—	•	•	•													
3/4	3/32	3/32	—	•	•	•													
7/8	1/4	1/8	—	•	•	•													
1	1/4	1/8	1/16	•*	•	•													
1 1/8	5/16	1/8	5/64		•*	•													
1 1/4	5/16	1/8	—		•	•													
1 3/8	3/8	1/8	—		•	•													
1 1/2	3/8	1/8	—		•	•													
1 5/8	7/16	5/32	1/8			•													
1 3/4	7/16	5/32	—			•													
1 7/8	1/2	5/32	—			•													
2	1/2	5/32	—			•													
2 1/8	5/8	7/32	—			•													
2 1/4	5/8	7/32	—			•													
2 3/8	5/8	7/32	—			•													
2 1/2	5/8	7/32	—			•													
2 5/8	3/4	1/4	—			•													
2 3/4	3/4	1/4	—			•													
2 7/8	3/4	1/4	—			•													
3	3/4	1/4	—			•													
3 1/8	7/8	5/16	—			•													
3 1/4	7/8	5/16	—			•													
3 3/8	7/8	5/16	—			•													
3 1/2	7/8	5/16	—			•													
3 3/4	1	3/8	5/16			•*													
4	1	3/8	7/32			•*													
4 1/4	1 1/4	7/16	—			•													
4 1/2	1 1/4	7/16	11/32			•													
4 3/4	1 1/4	7/16	—			•													
5	1 1/4	7/16	11/32			•													

* Bushing comes with a shallow keyway.

Weld-on hubs

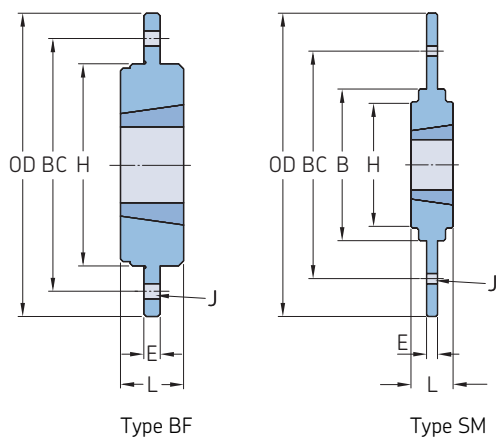
W taper bushed | WH taper bushed | WM taper bushed



Type	Bushing number	Dimensions						Designation	
		OD	B	C	L	E	F		
		mm							
W	1215	73,03	63,50	62,71	38,1	15,88	9,53	PHH W12	
	1615	82,55	73,03	72,24	38,1	15,88	9,53	PHH W16	
	2017	101,60	88,90	88,11	44,4	19,05	11,91	PHH W20	
	2517	127,00	111,13	110,34	44,4	19,05	12,70	PHH W25	
	3030	149,86	133,35	132,56	76,2	25,40	19,05	PHH W30	
	3535	184,15	158,75	157,96	88,9	31,75	25,40	PHH W35	
	4040	225,43	196,85	196,06	101,6	31,75	31,75	PHH W40	
	4545	254,00	222,25	221,46	114,3	38,10	38,10	PHH W45	
	WH	1210	70,00	65,00	64,50	25,0	9,00	10,00	PHH WH12
		1610	80,00	75,00	74,50	25,0	9,00	10,00	PHH WH16
2012		95,00	90,00	89,50	32,0	12,00	12,00	PHH WH20	
2517		115,00	110,00	109,50	44,0	19,00	15,00	PHH WH25	
3020		145,00	140,00	139,50	50,0	20,00	15,00	PHH WH30	
3535		190,00	180,00	179,50	89,0	25,00	25,00	PHH WH35-2	
4030		200,00	190,00	189,50	76,0	32,00	30,00	PHH WH40-1	
4040		200,00	190,00	189,50	101,0	32,00	30,00	PHH WH40-2	
4535		210,00	200,00	199,50	89,0	40,00	30,00	PHH WH45-1	
4545		210,00	200,00	199,50	114,0	40,00	30,00	PHH WH45-2	
5040	230,00	220,00	219,50	102,0	40,00	35,00	PHH WH50-1		
5050	230,00	220,00	219,50	127,0	40,00	35,00	PHH WH50-2		
WM	1210	70,00	60,00	58,00	25,0	9,00	10,00	PHH WM12	
	1610	83,00	70,00	68,00	25,0	9,00	10,00	PHH WM16-1	
	1615	83,00	70,00	68,00	38,0	16,00	11,00	PHH WM16-2	
	2012	95,00	90,00	88,00	32,0	12,00	12,00	PHH WM20	
	2517	127,00	110,00	108,00	44,0	19,00	13,00	PHH WM25	
	3020	152,00	130,00	125,00	50,0	20,00	15,00	PHH WM30-1	
	3030	152,00	130,00	125,00	76,0	25,00	19,00	PHH WM30-2	
	3535	184,00	155,00	151,00	89,0	32,00	25,00	PHH WM35	
	4040	225,00	195,00	187,00	102,0	32,00	32,00	PHH WM40	
	4545	254,00	220,00	213,00	114,0	38,00	38,00	PHH WM45	
5050	276,00	242,00	228,00	127,0	38,00	38,00	PHH WM50		

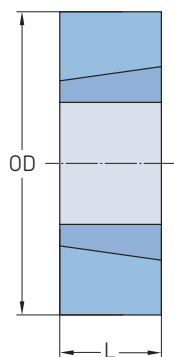
Bolt-on hubs / Adapters

BF taper bushed | SM taper bushed | Taper bushed adapters



Type	Bushing number	Dimensions							Designation
		OD	B	BC	L	E	H	J*	
		mm							
BF	1210	120	80	100	25	6,5	–	6 x 6,6	PHH BF12
	1610	130	90	110	25	6,5	–	6 x 6,6	PHH BF16
	2012	145	100	125	32	8,5	–	6 x 9,0	PHH BF20
	2517	185	130	155	44	11,5	–	6 x 11,0	PHH BF25
	3020	220	165	190	50	11,5	–	6 x 13,0	PHH BF30
SM	1210	180	90	135	25	6,5	75	6 x 7,5	PHH SM12
	1615	200	110	150	38	7,5	85	6 x 7,5	PHH SM16
	2012	270	140	190	32	8,5	110	6 x 9,5	PHH SM20
	2517	340	170	240	45	9,5	125	8 x 11,5	PHH SM25
	3020	430	220	300	51	13,5	160	8 x 13,5	PHH SM30-1
	3020	485	250	340	51	13,5	160	8 x 13,5	PHH SM30-2

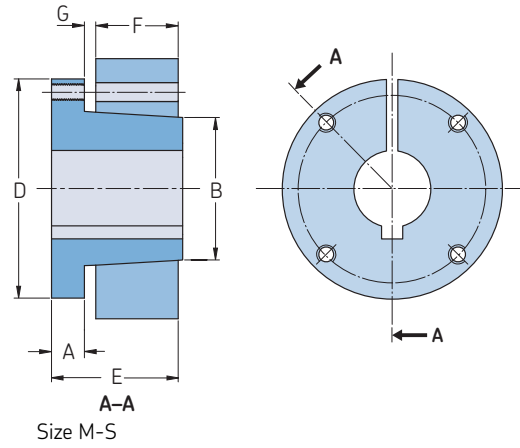
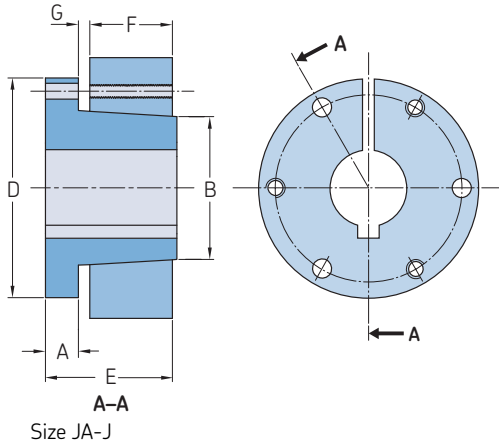
* Number of screw holes x hole diameter.



Taper bushed adapters

Type	Bushing number	Dimensions		Keyway Width	Depth	Designation
		OD	L			
		mm				
1008KM	1008	45	22	5	2,5	PHH TBA1008KM
1008PM	1008	45	22	–	–	PHH TBA1008PM
1210KM	1210	60	25	6	3,0	PHH TBA1210KM
1210PM	1210	60	25	–	–	PHH TBA1210PM
1215KM	1215	60	38	6	3,0	PHH TBA1215KM
1215PM	1215	60	38	–	–	PHH TBA1215PM
1610KM	1610	70	25	10	4,0	PHH TBA1610KM
1610PM	1610	70	25	–	–	PHH TBA1610PM
1615KM	1615	70	38	10	4,0	PHH TBA1615KM
1615PM	1615	70	38	–	–	PHH TBA1615PM
2517KM	2517	105	45	16	4,0	PHH TBA2517KM
2517PM	2517	105	45	–	–	PHH TBA2517PM
3030KM	3030	130	76	20	5,0	PHH TBA3030KM
3030PM	3030	130	76	–	–	PHH TBA3030PM
3535KM	3535	160	89	22	5,0	PHH TBA3535KM
3535PM	3535	160	89	–	–	PHH TBA3535PM
4040KM	4040	185	102	24	5,0	PHH TBA4040KM
4040PM	4040	185	102	–	–	PHH TBA4040PM

QD Bushings



Bushing number	Bore range			Dimensions						Set screw size	Average mass		Designation
	Min.	Standard keyway Max.	Shallow keyway	A	B	D	E	F	G		kg	lbs.	
–	in.										kg	lbs.	–
JA	3/8	1	1 1/4	0,31	1,38	2,00	1,00	0,56	0,12	10 - 24	0,40	0,9	PHF JA...
SH	1/2	1 3/8	1 11/16	0,43	1,88	2,63	1,31	0,81	0,12	1/4	0,50	1,0	PHF SH...
SDS	1/2	1 11/16	2	0,43	2,18	3,18	1,31	0,75	0,12	1/4	0,72	1,0	PHF SDS...
SD	1/2	1 11/16	1 15/16	0,43	2,18	3,18	1,81	1,25	0,12	1/4	0,93	1,5	PHF SD...
SK	1/2	2 1/8	2 1/2	0,56	2,81	3,88	1,93	1,25	0,22	1 5/16	0,90	2,0	PHF SK...
SF	1/2	2 15/16	2 13/16	0,63	3,13	4,63	2,06	1,25	0,22	1 5/16	2,23	3,0	PHF SF...
E	7/8	2 7/8	3 1/2	0,88	3,83	6,00	2,75	1,63	0,25	3/8	4,62	10,0	PHF E...
F	1	3 15/16	3 15/16	1,00	4,43	6,63	3,75	2,50	0,34	1/2	5,20	11,5	PHF F...
J	1 7/16	3 3/4	4 1/2	1,13	5,14	7,25	4,63	3,18	0,38	1 5/8	8,20	18,0	PHF J...
M	2 15/16	4 3/4	5 1/2	1,25	6,50	9,00	6,75	5,18	0,41	3/4	27,00	37,0	PHF M...
N	2 7/16	5 1/8	6	1,50	7,00	10,00	8,12	6,25	0,56	3/4	37,50	57,0	PHF N...
P	2 15/16	5 15/16	7	1,75	8,25	11,75	9,38	7,25	0,63	7/8	54,40	120,0	PHF P...
W	4	7 1/2	8 1/2	2,00	10,42	15,00	11,38	9,00	0,50	1	113,40	250,0	PHF W...
S	6	8 3/4	10	2,75	12,13	17,75	15,25	12,00	0,75	1 1/4	181,40	400,0	PHF S...

To complete the designation, add bore size in inch or millimetres (standard bore sizes available on next page).
 E.g.: PHF SDS-1-11/16 and PHF SDS-25MM.

QD Bushings

Dimensions

Inch bores and keyway

Bushing number	Bore	Keyway
–	in.	
JA	3/8 – 7/8 1/2 1 1/16 – 1 1/8 1 3/16 1 1/4	No keyway STD 1/4 x 1/16 1/4 x 1/16 No keyway
SH	1/2 – 1 3/8 1 7/16 – 1 1/2 1 9/16 – 1 5/8 1 11/16	STD 3/8 x 1/16 3/8 x 1/16 No keyway
SDS	1/2 – 1 11/16 1 3/4 1 13/16 1 7/8 – 1 15/16 2	STD 3/8 x 1/8 1/2 x 1/8 1/2 x 1/16 No keyway
SD	1/2 – 1 11/16 1 3/4 1 13/16 1 7/8 1 15/16 2	STD 3/8 x 1/8 1/2 x 1/8 1/2 x 1/16 1/2 x 1/16 No keyway
SK	1/2 – 2 1/8 2 3/16 – 2 1/4 2 5/16 – 2 1/2 2 9/16 – 2 5/8	STD 1/2 x 1/8 1 5/8 x 1/16 No keyway
SF	1/2 – 2 1/4 2 5/16 – 2 1/2 2 9/16 – 2 3/4 2 13/16 – 2 7/8 2 15/16	STD 1 5/8 x 3/16 5/8 x 1/16 3/4 x 1/16 3/4 x 1/32
E	7/8 – 2 7/8 2 15/16 – 3 1/4 3 3/8 – 3 1/2	STD* 3/4 x 1/8 7/8 x 1/16
F	1 – 3 15/16 3 3/8 – 3 3/4 3 7/8 – 3 15/16 4	STD* 7/8 x 3/16 1 x 1/8 No keyway
J	1 1/4 – 3 3/4 3 13/16 – 4 1/2	STD* 1 x 1/8
M	2 – 4 3/4 4 13/16 – 5 1/2	STD* 1 1/4 x 1/4
N	2 7/16 5 7/8 – 5 1/2 5 9/16	STD* 1 1/4 x 1/4 1 1/2 x 1/4
P	2 15/16 – 5 15/16 6 – 6 1/2 6 9/16	STD* 1 1/2 x 1/4 1 3/4 x 1/8
W	4 – 7 1/2 7 9/16 – 8 1/2	STD* 2 x 1/4

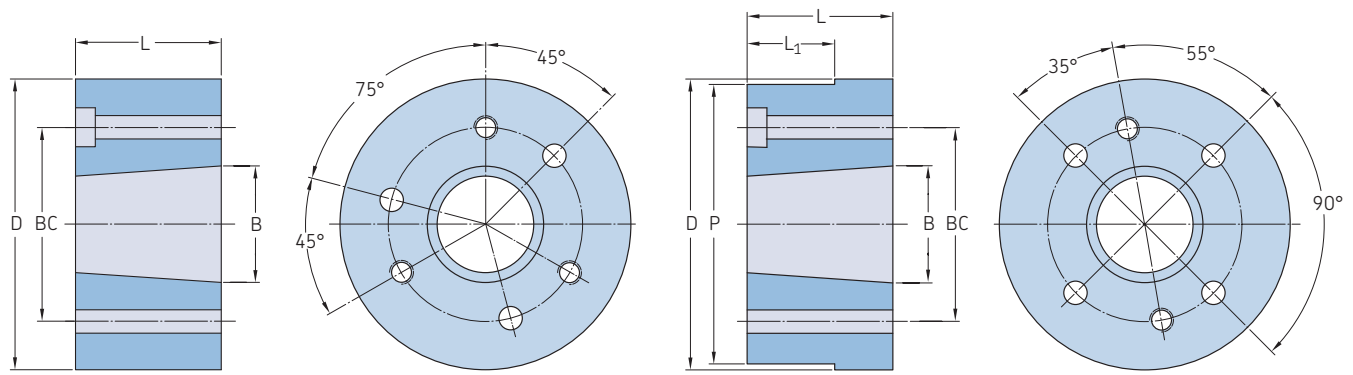
* Please contact SKF for details.

Metric bores and keyway

Bushing number	Bore	Keyway - WxT
–	mm	
SH	24, 25 28, 30 32, 35	8 x 7 – 10 x 8
SDS	24, 25 28, 30 32, 35 38 40, 42	8 x 7 – 10 x 8 – 12 x 8
SD	24, 25 28, 30 32, 35 38 40, 42	8 x 7 – 10 x 8 – 12 x 8
SK	24, 25 28, 30 32, 35 38 40, 42 48, 50 55	8 x 7 – 10 x 8 – 12 x 8 14 x 9 16 x 10
SF	28, 30 32, 35 38 40, 42 48, 50 55 60	8 x 7 10 x 8 – 12 x 8 14 x 9 16 x 10 18 x 11
E	35, 38 40, 42 48, 50 55 60, 65 70, 75	10 x 8 12 x 8 14 x 9 16 x 10 18 x 11 20 x 12
F	48, 50 55 60, 65 70, 75 80, 85	14 x 9 16 x 10 18 x 11 20 x 12 22 x 14
J	50 55 60, 65 70, 75 80, 85 90 95 100	14 x 9 16 x 10 18 x 11 20 x 12 22 x 14 25 x 14 28 x 16

The metric system does not refer to keyseat or keyway dimensions as the inch system. Instead, dimensions are given for the key itself which is rectangular in shape, not square as in the inch system.

QD Weld-on hubs



















Type 1

Type 2

Bushing number	Dimensions						Type drilling	Approx mass	Mounting	Designation
	D	L	B	P	L ₁	BC				
-	mm						-	kg	-	-
JA	57,2	14,3	34,9	-	-	42,1	1	0,18	Std or reverse mount	PHH WJA
SH	76,2	20,6	47,5	-	-	57,2	1	0,45	Std or reverse mount	PHH WSH
SDS	88,9	19,1	55,6	-	-	68,3	1	0,57	Std or reverse mount	PHH WSDS
SK	111,1	31,8	71,5	-	-	84,1	1	1,36	Std or reverse mount	PHH WSK
SF	127,0	31,8	79,4	-	-	98,4	1	1,81	Std or reverse mount	PHH WSF
E	158,8	41,3	97,3	-	-	127,0	1	4,08	Std or reverse mount	PHH WE
F	177,8	63,5	112,7	-	-	142,9	1	7,26	Std or reverse mount	PHH WF
J	196,9	81,0	130,6	-	-	158,8	1	10,21	Std or reverse mount	PHH WJ
M	241,3	131,8	164,9	235,0	90,5	200,0	2	22,69	Std mount only	PHH WM
N	266,7	158,8	177,5	260,4	114,3	215,9	2	34,03	Std mount only	PHH WN
P	330,2	184,2	209,3	-	-	254,0	2	70,33	Std mount only	PHH WP
W	393,7	228,6	265,1	-	-	323,9	2	136,12	Std mount only	PHH WW
S	495,3	304,8	308,0	476,3	-	381,0	2	253,18	Std mount only	PHH WS

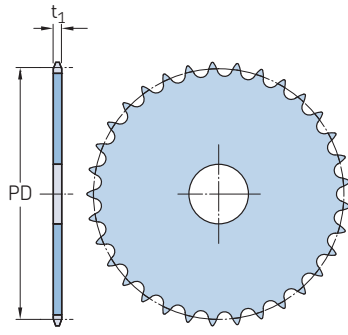


Sprockets

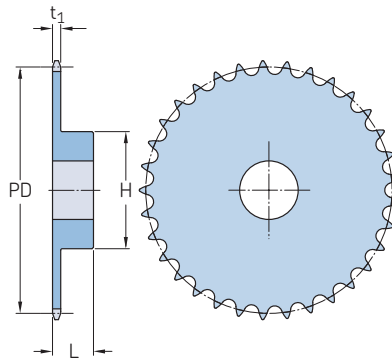
	Metric sprockets, simplex, pilot bore	138		ANSI sprockets, simplex, taper bushed	196
	Metric sprockets, simplex, bored-to-size	148		ANSI sprockets, double simplex, pilot bore	200
	Metric sprockets, simplex, taper bushed	150		ANSI sprockets, double simplex, taper bushed	202
	Metric sprockets, double simplex, pilot bore	156		ANSI sprockets, duplex, pilot bore	203
	Metric sprockets, double simplex, taper bushed	158		ANSI sprockets, duplex, taper bushed	208
	Metric sprockets, duplex, standard	160		ANSI sprockets, triplex, pilot bore	210
	Metric sprockets, duplex, taper bushed	165			
	Metric sprockets, triplex, standard.	168			
	Metric sprockets, triplex, taper bushed	172			
	ANSI sprockets, simplex, pilot bore	173			

Metric sprockets, simplex, pilot bore

ISO 05B-1 · 8 mm pitch



Type A



Type B

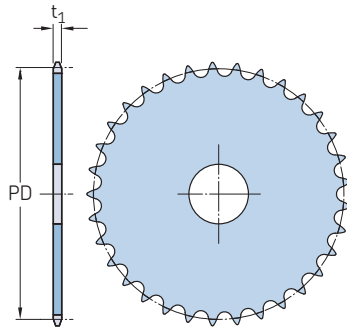
Pitch	Number of teeth	Pitch diameter PD	Type	Dimensions		Hub		Plate thickness t ₁	Mass	Designation
				Bore stock Min.	Bore Max.	H	L			
mm	-	mm	-	mm		mm	mm	mm	kg	-
8	8	20,90	A	6	-	-	-	-	0,01	PHS 05B-1A8
			B	-	6	6	13	12	2,80	0,02
	9	23,39	A	6	-	-	-	-	0,01	PHS 05B-1A9
			B	-	6	6	15	12	2,80	0,02
	10	25,89	A	8	-	-	-	-	0,01	PHS 05B-1A10
			B	-	8	8	17	12	2,80	0,02
	11	28,39	A	8	-	-	-	-	0,01	PHS 05B-1A11
			B	-	8	8	18	13	2,80	0,03
	12	30,91	A	8	-	-	-	-	0,01	PHS 05B-1A12
			B	-	8	8	20	13	2,80	0,03
	13	33,42	A	8	-	-	-	-	0,01	PHS 05B-1A13
			B	-	8	8	23	13	2,80	0,05
	14	35,95	A	8	-	-	-	-	0,02	PHS 05B-1A14
			B	-	8	10	25	13	2,80	0,05
	15	38,48	A	8	-	-	-	-	0,02	PHS 05B-1A15
			B	-	8	12	28	13	2,80	0,07
	16	41,01	A	8	-	-	-	-	0,02	PHS 05B-1A16
			B	-	8	14	30	14	2,80	0,08
	17	43,53	A	8	-	-	-	-	0,03	PHS 05B-1A17
			B	-	8	14	30	14	2,80	0,09
18	46,07	A	8	-	-	-	-	0,03	PHS 05B-1A18	
		B	-	8	14	30	14	2,80	0,09	PHS 05B-1B18
19	48,61	A	8	-	-	-	-	0,03	PHS 05B-1A19	
		B	-	8	14	30	14	2,80	0,10	PHS 05B-1B19
20	51,14	A	8	-	-	-	-	0,04	PHS 05B-1A20	
		B	-	8	14	30	14	2,80	0,10	PHS 05B-1B20
21	53,67	A	8	-	-	-	-	0,04	PHS 05B-1A21	
		B	-	8	19	35	14	2,80	0,13	PHS 05B-1B21
22	56,21	A	8	-	-	-	-	0,05	PHS 05B-1A22	
		B	-	8	19	35	14	2,80	0,13	PHS 05B-1B22
23	58,75	A	8	-	-	-	-	0,05	PHS 05B-1A23	
		B	-	8	19	35	14	2,80	0,13	PHS 05B-1B23
24	61,29	A	8	-	-	-	-	0,06	PHS 05B-1A24	
		B	-	8	19	35	14	2,80	0,15	PHS 05B-1B24
25	63,83	A	8	-	-	-	-	0,06	PHS 05B-1A25	
		B	-	8	19	35	14	2,80	0,15	PHS 05B-1B25
26	66,37	A	10	-	-	-	-	0,07	PHS 05B-1A26	
		B	-	10	23	40	16	2,80	0,17	PHS 05B-1B26
27	68,91	A	10	-	-	-	-	0,07	PHS 05B-1A27	
		B	-	10	23	40	16	2,80	0,19	PHS 05B-1B27
28	71,45	A	10	-	-	-	-	0,08	PHS 05B-1A28	
		B	-	10	23	40	16	2,80	0,20	PHS 05B-1B28
29	73,99	A	10	-	-	-	-	0,08	PHS 05B-1A29	
		B	-	10	23	40	16	2,80	0,21	PHS 05B-1B29

Pitch	Number of teeth	Pitch diameter PD	Type	Dimensions		Hub		Plate thickness t ₁	Mass	Designation
				Bore stock Min.	Bore Max.	H	L			
mm	-	mm	-	mm		mm	mm	mm	kg	-
8	30	76,53	A	10	-	-	-	-	0,09	PHS 05B-1A30
			B	-	10	23	40	16	2,80	0,22
	31	79,08	A	10	-	-	-	-	0,10	PHS 05B-1A31
			B	-	10	23	40	16	2,80	0,23
	32	81,61	A	10	-	-	-	-	0,11	PHS 05B-1A32
			B	-	10	23	40	16	2,80	0,23
	33	84,16	A	10	-	-	-	-	0,12	PHS 05B-1A33
			B	-	10	23	40	16	2,80	0,24
	34	86,70	A	10	-	-	-	-	0,12	PHS 05B-1A34
			B	-	10	23	40	16	2,80	0,25
	35	89,24	A	10	-	-	-	-	0,12	PHS 05B-1A35
			B	-	10	23	40	16	2,80	0,25
	36	91,79	A	10	-	-	-	-	0,13	PHS 05B-1A36
			B	-	10	23	40	16	2,80	0,26
	37	94,33	A	10	-	-	-	-	0,14	PHS 05B-1A37
			B	-	10	23	40	16	2,80	0,26
	38	96,88	A	10	-	-	-	-	0,15	PHS 05B-1A38
			B	-	10	23	40	16	2,80	0,27
	39	99,42	A	10	-	-	-	-	0,16	PHS 05B-1A39
			B	-	10	23	40	16	2,80	0,28
40	101,97	A	10	-	-	-	-	0,16	PHS 05B-1A40	
		B	-	10	23	40	16	2,80	0,28	PHS 05B-1B40
41	104,51	A	12	-	-	-	-	0,17	PHS 05B-1A41	
		B	-	10	23	60	20	2,80	0,29	PHS 05B-1B41
42	107,05	A	12	-	-	-	-	0,18	PHS 05B-1A42	
		B	-	10	23	60	20	2,80	0,30	PHS 05B-1B42
43	109,60	A	12	-	-	-	-	0,19	PHS 05B-1A43	
		B	-	10	23	60	20	2,80	0,30	PHS 05B-1B43
44	112,14	A	12	-	-	-	-	0,20	PHS 05B-1A44	
		B	-	10	23	60	20	2,80	0,31	PHS 05B-1B44
45	114,69	A	12	-	-	-	-	0,21	PHS 05B-1A45	
		B	-	12	40	60	20	2,80	0,31	PHS 05B-1B45
46	117,23	A	12	-	-	-	-	0,21	PHS 05B-1A46	
		B	-	12	40	60	20	2,80	0,32	PHS 05B-1B46
47	119,77	A	12	-	-	-	-	0,32	PHS 05B-1A47	
		B	-	12	40	60	20	2,80	0,33	PHS 05B-1B47
48	122,32	A	12	-	-	-	-	0,34	PHS 05B-1A48	
		B	-	12	40	60	20	2,80	0,33	PHS 05B-1B48
54	137,59	A	14	-	-	-	-	0,67	PHS 05B-1A54	
		B	-	12	40	80	20	2,80	0,37	PHS 05B-1B54
57	145,22	A	14	-	-	-	-	1,47	PHS 05B-1A57	
		B	-	14	55	80	20	2,80	0,39	PHS 05B-1B57
60	152,85	A	14	-	-	-	-	1,53	PHS 05B-1A60	
		B	-	14	55	80	34	2,80	0,41	PHS 05B-1B60

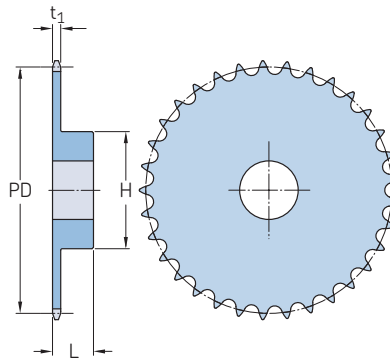
Maximum bores can accommodate standard keyways. Larger bores are available where a shallow keyway is used or no keyway is required. For sprockets with hardened teeth, add "H" before the number of teeth, e.g. PHS 08B-1AH8.

Metric sprockets, simplex, pilot bore

ISO 06B-1 · 9,525 mm pitch | ISO 08B-1 · 12,70 mm pitch



Type A



Type B

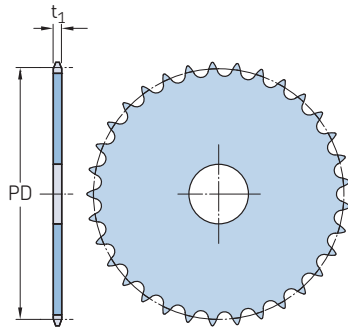
Pitch	Number of teeth	Pitch diameter PD	Type	Dimensions		Hub		Plate thickness t ₁	Mass	Designation
				Bore stock	Bore	H	L			
mm	-	mm	-	mm	Min.	Max.	-	kg	-	
9,525	80	242,61	A	20	-	-	-	-	1,53	PHS 06B-1A80
			B	-	14	52	78	32	5,31	4,40
	84	254,74	A	20	-	-	-	-	1,60	PHS 06B-1A84
			B	-	14	52	80	32	5,31	4,72
	85	257,77	A	20	-	-	-	-	1,66	PHS 06B-1A85
			B	-	14	52	80	32	5,31	4,93
	90	272,93	A	20	-	-	-	-	1,72	PHS 06B-1A90
			B	-	14	55	80	32	5,31	5,20
	92	278,99	A	20	-	-	-	-	2,16	PHS 06B-1A92
			B	-	14	55	80	32	5,31	5,45
	95	288,08	A	20	-	-	-	-	2,60	PHS 06B-1A95
			B	-	14	55	80	32	5,31	3,95
96	291,11	A	20	-	-	-	-	2,20	PHS 06B-1A96	
		B	-	14	55	80	32	5,31	5,68	PHS 06B-1B96
114	345,68	A	20	-	-	-	-	3,13	PHS 06B-1A114	
		B	-	14	55	80	32	5,31	7,12	PHS 06B-1B114
12,70	8	33,18	A	8	-	-	-	-	0,03	PHS 08B-1A8
			B	-	10	10	20	25	7,37	0,06
	9	37,13	A	8	-	-	-	-	0,04	PHS 08B-1A9
			B	-	10	10	24	25	7,37	0,09
	10	41,10	A	8	-	-	-	-	0,06	PHS 08B-1A10
			B	-	10	11	26	25	7,37	0,12
	11	45,07	A	10	-	-	-	-	0,07	PHS 08B-1A11
			B	-	10	13	29	25	7,37	0,15
	12	49,07	A	10	-	-	-	-	0,09	PHS 08B-1A12
			B	-	10	17	33	28	7,37	0,21
	13	53,06	A	10	-	-	-	-	0,10	PHS 08B-1A13
			B	-	10	20	37	28	7,37	0,27
	14	57,07	A	10	-	-	-	-	0,12	PHS 08B-1A14
			B	-	10	24	41	28	7,37	0,33
	15	61,09	A	10	-	-	-	-	0,13	PHS 08B-1A15
			B	-	10	28	45	28	7,37	0,39
	16	65,10	A	10	-	-	-	-	0,16	PHS 08B-1A16
			B	-	12	30	50	28	7,37	0,46
	17	69,11	A	10	-	-	-	-	0,18	PHS 08B-1A17
			B	-	12	30	52	28	7,37	0,51
	18	73,14	A	10	-	-	-	-	0,20	PHS 08B-1A18
B			-	12	35	56	28	7,37	0,59	PHS 08B-1B18
19	77,16	A	10	-	-	-	-	0,23	PHS 08B-1A19	
		B	-	12	40	60	28	7,37	0,67	PHS 08B-1B19
20	81,19	A	10	-	-	-	-	0,25	PHS 08B-1A20	
		B	-	12	40	64	28	7,37	0,77	PHS 08B-1B20
21	85,22	A	12	-	-	-	-	0,26	PHS 08B-1A21	
		B	-	12	40	68	28	7,37	0,85	PHS 08B-1B21

Pitch	Number of teeth	Pitch diameter PD	Type	Dimensions		Hub		Plate thickness t ₁	Mass	Designation
				Bore stock	Bore	H	L			
mm	-	mm	-	mm	Min.	Max.	-	kg	-	
12,70	22	89,24	A	12	-	-	-	-	0,30	PHS 08B-1A22
			B	-	12	40	70	28	7,37	0,92
	23	93,27	A	12	-	-	-	-	0,34	PHS 08B-1A23
			B	-	14	40	70	28	7,37	0,95
	24	97,29	A	12	-	-	-	-	0,37	PHS 08B-1A24
			B	-	14	40	70	28	7,37	0,98
	25	101,33	A	12	-	-	-	-	0,41	PHS 08B-1A25
			B	-	14	40	70	28	7,37	1,01
	26	105,36	A	16	-	-	-	-	0,44	PHS 08B-1A26
			B	-	16	46	70	30	7,37	1,09
	27	109,40	A	16	-	-	-	-	0,48	PHS 08B-1A27
			B	-	16	46	70	30	7,37	1,13
	28	113,42	A	16	-	-	-	-	0,51	PHS 08B-1A28
			B	-	16	46	70	30	7,37	1,17
	29	117,46	A	16	-	-	-	-	0,55	PHS 08B-1A29
			B	-	16	46	80	30	7,37	1,41
	30	121,50	A	16	-	-	-	-	0,59	PHS 08B-1A30
			B	-	16	46	80	30	7,37	1,46
	31	125,54	A	16	-	-	-	-	0,63	PHS 08B-1A31
			B	-	16	46	90	30	7,37	1,75
	32	129,56	A	16	-	-	-	-	0,68	PHS 08B-1A32
			B	-	16	46	90	30	7,37	1,79
	33	133,60	A	16	-	-	-	-	0,72	PHS 08B-1A33
			B	-	16	46	90	30	7,37	1,83
	34	137,64	A	16	-	-	-	-	0,78	PHS 08B-1A34
			B	-	16	46	90	30	7,37	1,87
	35	141,68	A	16	-	-	-	-	0,81	PHS 08B-1A35
			B	-	16	46	90	30	7,37	1,94
	36	145,72	A	16	-	-	-	-	0,87	PHS 08B-1A36
			B	-	16	50	90	35	7,37	2,21
	37	149,76	A	16	-	-	-	-	0,92	PHS 08B-1A37
			B	-	16	50	90	35	7,37	2,24
	38	153,80	A	16	-	-	-	-	0,97	PHS 08B-1A38
			B	-	16	50	90	35	7,37	2,33
	39	157,83	A	16	-	-	-	-	1,02	PHS 08B-1A39
			B	-	16	50	90	35	7,37	2,30
	40	161,87	A	16	-	-	-	-	1,08	PHS 08B-1A40
			B	-	16	50	90	35	7,37	2,44
	41	165,91	A	20	-	-	-	-	1,10	PHS 08B-1A41
			B	-	16	50	90	40	7,37	2,41
	42	169,95	A	20	-	-	-	-	1,00	PHS 08B-1A42
			B	-	16	60	90	40	7,37	2,38
	43	173,99	A	20	-	-	-	-	1,24	PHS 08B-1A43
B			-	16	50	90	40	7,37	2,35	PHS 08B-1B43

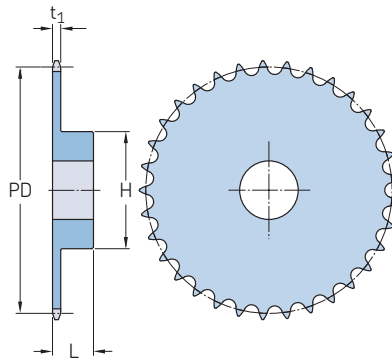
Maximum bores can accommodate standard keyways. Larger bores are available where a shallow keyway is used or no keyway is required. For sprockets with hardened teeth, add "H" before the number of teeth, e.g. PHS 08B-1AH8.

Metric sprockets, simplex, pilot bore

ISO 10B-1 · 15,88 mm pitch | ISO 12B-1 · 19,05 mm pitch



Type A



Type B

Pitch	Number of teeth	Pitch diameter PD	Type	Dimensions		Hub		Plate thickness t ₁	Mass	Designation
				Bore stock	Bore	H	L			
mm	-	mm	-	mm	Min.	Max.		kg	-	
15,88	48	242,73	A	20	-	-	-	-	3,13	PHS 10B-1A48
			B	-	20	64	10	40	9,17	4,66
	49	247,78	A	20	-	-	-	-	3,28	PHS 10B-1A49
			B	-	20	64	10	40	9,17	4,82
	50	252,82	A	20	-	-	-	-	3,43	PHS 10B-1A50
			B	-	20	64	10	40	9,17	4,98
	51	257,87	A	20	-	-	-	-	3,57	PHS 10B-1A51
			B	-	20	64	10	40	9,17	5,14
	52	262,92	A	20	-	-	-	-	3,72	PHS 10B-1A52
			B	-	20	64	10	40	9,17	5,30
	53	267,97	A	20	-	-	-	-	3,87	PHS 10B-1A53
			B	-	20	64	10	40	9,17	5,46
	54	273,03	A	20	-	-	-	-	4,02	PHS 10B-1A54
			B	-	20	64	10	40	9,17	5,62
	55	278,08	A	20	-	-	-	-	4,16	PHS 10B-1A55
			B	-	20	64	10	40	9,17	5,78
	56	283,13	A	25	-	-	-	-	4,31	PHS 10B-1A56
			B	-	20	64	10	40	9,17	5,94
	57	288,18	A	25	-	-	-	-	4,46	PHS 10B-1A57
			B	-	20	55	10	40	9,17	6,00
	58	293,23	A	25	-	-	-	-	4,64	PHS 10B-1A58
			B	-	20	64	10	43	9,17	6,44
	59	298,27	A	25	-	-	-	-	4,83	PHS 10B-1A59
			B	-	20	64	10	43	9,17	6,88
	60	303,32	A	25	-	-	-	-	5,01	PHS 10B-1A60
			B	-	20	64	10	43	9,17	7,32
	65	328,58	A	25	-	-	-	-	5,92	PHS 10B-1A65
			B	-	20	64	10	43	9,17	7,48
70	353,84	A	25	-	-	-	-	6,83	PHS 10B-1A70	
		B	-	20	64	10	43	9,17	7,76	PHS 10B-1B70
72	363,95	A	25	-	-	-	-	7,20	PHS 10B-1A72	
		B	-	20	64	10	43	9,17	8,20	PHS 10B-1B72
76	384,16	A	25	-	-	-	-	7,93	PHS 10B-1A76	
		B	-	20	60	10	43	9,17	8,68	PHS 10B-1B76
80	404,35	A	25	-	-	-	-	8,89	PHS 10B-1A80	
		B	-	20	70	10	43	9,17	10,20	PHS 10B-1B80
84	424,57	A	30	-	-	-	-	9,85	PHS 10B-1A84	
		B	-	20	70	10	50	9,17	11,72	PHS 10B-1B84
85	429,62	A	30	-	-	-	-	10,09	PHS 10B-1A85	
		B	-	20	70	10	50	9,17	12,12	PHS 10B-1B85
92	464,98	A	30	-	-	-	-	11,76	PHS 10B-1A92	
		B	-	20	70	10	50	9,17	12,91	PHS 10B-1B92
95	480,14	A	30	-	-	-	-	12,48	PHS 10B-1A95	
		B	-	20	60	10	50	9,17	13,24	PHS 10B-1B95

Pitch	Number of teeth	Pitch diameter PD	Type	Dimensions		Hub		Plate thickness t ₁	Mass	Designation	
				Bore stock	Bore	H	L				
mm	-	mm	-	mm	Min.	Max.		kg	-		
15,88	96	485,19	A	30	-	-	-	-	12,72	PHS 10B-1A96	
			B	-	20	70	10	50	9,17	14,00	PHS 10B-1B96
	112	566,03	A	30	-	-	-	-	16,55	PHS 10B-1A112	
			B	-	20	70	10	50	9,17	15,55	PHS 10B-1B112
	114	576,13	A	30	-	-	-	-	17,03	PHS 10B-1A114	
			B	-	20	70	10	50	9,17	16,25	PHS 10B-1B114
	120	606,45	A	30	-	-	-	-	18,50	PHS 10B-1A120	
			B	-	20	70	10	50	9,17	18,25	PHS 10B-1B120
	19,05	8	49,78	A	12	-	-	-	-	0,13	PHS 12B-1A8
				B	-	12	16	31	30	11,10	0,22
		9	55,70	A	12	-	-	-	-	0,16	PHS 12B-1A9
				B	-	12	20	37	30	11,10	0,31
		10	61,64	A	12	-	-	-	-	0,21	PHS 12B-1A10
				B	-	12	23	42	30	11,10	0,39
		11	67,61	A	14	-	-	-	-	0,25	PHS 12B-1A11
				B	-	14	28	46	35	11,10	0,54
		12	73,61	A	14	-	-	-	-	0,30	PHS 12B-1A12
				B	-	14	32	52	35	11,10	0,68
		13	79,59	A	14	-	-	-	-	0,37	PHS 12B-1A13
				B	-	14	36	58	35	11,10	0,84
		14	85,61	A	14	-	-	-	-	0,43	PHS 12B-1A14
				B	-	14	40	64	35	11,10	1,01
		15	91,63	A	14	-	-	-	-	0,50	PHS 12B-1A15
				B	-	14	44	70	35	11,10	1,19
		16	97,65	A	14	-	-	-	-	0,56	PHS 12B-1A16
				B	-	16	48	75	35	11,10	1,36
		17	103,67	A	14	-	-	-	-	0,65	PHS 12B-1A17
				B	-	16	55	80	35	11,10	1,56
18		109,71	A	14	-	-	-	-	0,73	PHS 12B-1A18	
			B	-	16	55	80	35	11,10	1,73	PHS 12B-1B18
19		115,75	A	14	-	-	-	-	0,82	PHS 12B-1A19	
			B	-	16	55	80	35	11,10	1,73	PHS 12B-1B19
20		121,78	A	14	-	-	-	-	0,90	PHS 12B-1A20	
			B	-	16	55	80	35	11,10	1,83	PHS 12B-1B20
21		127,82	A	16	-	-	-	-	0,99	PHS 12B-1A21	
			B	-	20	55	90	40	11,10	2,37	PHS 12B-1B21
22	133,86	A	16	-	-	-	-	1,08	PHS 12B-1A22		
		B	-	20	55	90	40	11,10	2,48	PHS 12B-1B22	
23	139,90	A	16	-	-	-	-	1,21	PHS 12B-1A23		
		B	-	20	55	90	40	11,10	2,58	PHS 12B-1B23	
24	145,94	A	16	-	-	-	-	1,33	PHS 12B-1A24		
		B	-	20	55	90	40	11,10	2,70	PHS 12B-1B24	
25	152,00	A	16	-	-	-	-	1,43	PHS 12B-1A25		
		B	-	20	55	90	40	11,10	2,81	PHS 12B-1B25	

Maximum bores can accommodate standard keyways. Larger bores are available where a shallow keyway is used or no keyway is required. For sprockets with hardened teeth, add "H" before the number of teeth, e.g. PHS 08B-1AH8.

Metric sprockets, simplex, pilot bore

ISO 12B-1 · 19,05 mm pitch | ISO 16B-1 · 25,40 mm pitch

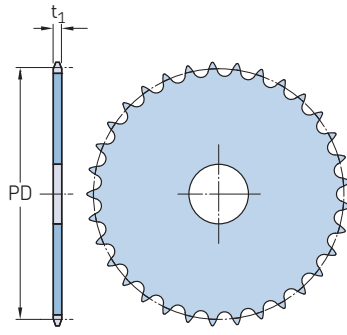
Table with columns: Pitch, Number of teeth, Pitch diameter, Type, Dimensions (Bore stock, Bore Min./Max., Hub H/L, Plate thickness t1), Mass, Designation. Rows include sprockets 19,05 with 26 to 68 teeth.

Table with columns: Pitch, Number of teeth, Pitch diameter, Type, Dimensions (Bore stock, Bore Min./Max., Hub H/L, Plate thickness t1), Mass, Designation. Rows include sprockets 19,05 with 70 to 27 teeth and 25,40 with 8 teeth.

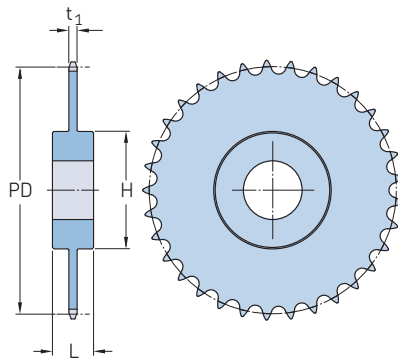
Maximum bores can accommodate standard keyways. Larger bores are available where a shallow keyway is used or no keyway is required. For sprockets with hardened teeth, add "H" before the number of teeth, e.g. PHS 08B-1A48.

Metric sprockets, simplex, pilot bore

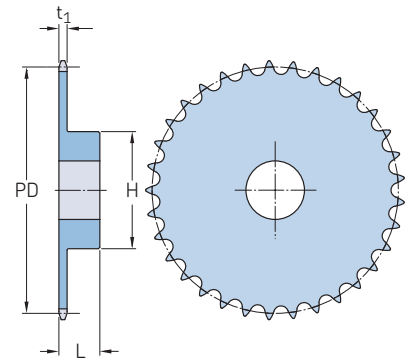
ISO 24B-1 · 38,10 mm pitch | ISO 28B-1 · 44,45 mm pitch



Type A



Type C



Type B

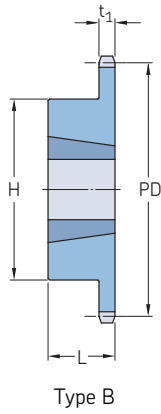
Pitch	Number of teeth	Pitch diameter PD	Type	Dimensions		Hub		Plate thickness t ₁	Mass	Designation
				Bore stock	Bore	H	L			
mm	-	mm	-	mm	Min.	Max.			kg	-
38,10	16	195,29	A	25	-	-	-	-	4,86	PHS 24B-1A16
			B	-	25	92	13	55	24,13	9,08
	17	207,35	A	25	-	-	-	-	5,44	PHS 24B-1A17
			B	-	25	92	13	55	24,13	9,76
	18	219,41	A	25	-	-	-	-	6,13	PHS 24B-1A18
			B	-	25	92	13	55	24,13	10,49
	19	231,48	A	25	-	-	-	-	7,03	PHS 24B-1A19
			B	-	25	92	13	55	24,13	11,21
	20	243,55	A	25	-	-	-	-	7,94	PHS 24B-1A20
			B	-	25	92	13	55	24,13	12,26
	21	255,63	A	25	-	-	-	-	8,62	PHS 24B-1A21
			B	-	25	92	15	60	24,13	13,38
	22	267,72	A	25	-	-	-	-	9,76	PHS 24B-1A22
			B	-	25	92	15	60	24,13	13,67
	23	179,80	A	25	-	-	-	-	10,43	PHS 24B-1A23
			B	-	25	92	15	60	24,13	14,74
	24	291,90	A	25	-	-	-	-	11,35	PHS 24B-1A24
			B	-	25	92	15	60	24,13	15,48
	25	303,99	A	25	-	-	-	-	12,47	PHS 24B-1A25
			B	-	25	92	15	60	24,13	16,38
	26	316,09	A	30	-	-	-	-	13,39	PHS 24B-1A26
			B	-	30	102	15	40	24,13	19,43
	27	328,19	A	30	-	-	-	-	14,53	PHS 24B-1A27
			B	-	30	102	15	40	24,13	20,39
	28	340,29	A	30	-	-	-	-	15,89	PHS 24B-1A28
			B	-	30	102	15	40	24,13	21,34
	29	352,39	A	30	-	-	-	-	17,02	PHS 24B-1A29
			B	-	30	102	15	40	24,13	22,79
	30	364,49	A	30	-	-	-	-	18,39	PHS 24B-1A30
			B	-	30	102	15	40	24,13	24,25
	31	376,60	A	30	-	-	-	-	20,02	PHS 24B-1A31
			B	-	30	102	15	40	24,13	26,19
	32	388,71	A	30	-	-	-	-	21,66	PHS 24B-1A32
			B	-	30	102	15	40	24,13	28,12
	33	400,82	A	30	-	-	-	-	23,29	PHS 24B-1A33
			B	-	30	102	15	40	24,13	30,05
	34	412,93	A	30	-	-	-	-	24,93	PHS 24B-1A34
			B	-	30	102	15	40	24,13	31,99
35	425,04	A	30	-	-	-	-	26,56	PHS 24B-1A35	
		B	-	30	102	15	40	24,13	33,93	PHS 24B-1B35
36	437,15	A	30	-	-	-	-	28,19	PHS 24B-1A36	
		B	-	30	102	15	40	24,13	35,86	PHS 24B-1B36
38	461,37	A	30	-	-	-	-	31,46	PHS 24B-1A38	
		B	-	30	102	15	40	24,13	39,73	PHS 24B-1B38

Pitch	Number of teeth	Pitch diameter PD	Type	Dimensions		Hub		Plate thickness t ₁	Mass	Designation	
				Bore stock	Bore	H	L				
mm	-	mm	-	mm	Min.	Max.			kg	-	
38,10	40	485,60	A	30	-	-	-	-	36,23	PHS 24B-1A40	
			B	-	30	102	15	40	24,13	42,52	PHS 24B-1B40
	42	509,83	A	30	-	-	-	-	40,99	PHS 24B-1A42	
			C	-	30	102	16	90	24,13	45,31	PHS 24B-1C42
	45	546,19	A	30	-	-	-	-	48,14	PHS 24B-1A45	
			C	-	30	102	16	90	24,13	50,71	PHS 24B-1C45
	48	482,54	A	30	-	-	-	-	55,29	PHS 24B-1A48	
			C	-	30	102	16	90	24,13	57,43	PHS 24B-1C48
	50	606,78	A	30	-	-	-	-	60,05	PHS 24B-1A50	
			C	-	30	102	16	90	24,13	61,57	PHS 24B-1C50
	54	655,26	A	30	-	-	-	-	69,58	PHS 24B-1A54	
			C	-	30	102	16	10	24,13	69,84	PHS 24B-1C54
	57	691,62	A	30	-	-	-	-	76,73	PHS 24B-1A57	
			C	-	30	133	16	10	24,13	76,05	PHS 24B-1C57
	60	727,99	A	30	-	-	-	-	85,19	PHS 24B-1A60	
			C	-	30	133	16	10	24,13	80,05	PHS 24B-1C60
	68	824,97	A	40	-	-	-	-	107,74	PHS 24B-1A68	
			C	-	30	133	16	10	24,13	93,39	PHS 24B-1C68
	72	873,43	A	40	-	-	-	-	119,02	PHS 24B-1A72	
			C	-	30	133	16	10	24,13	111,51	PHS 24B-1C72
	76	921,96	A	40	-	-	-	-	130,30	PHS 24B-1A76	
			C	-	30	133	16	10	24,13	129,62	PHS 24B-1C76
	95	921,96	A	40	-	-	-	-	183,88	PHS 24B-1A95	
			C	-	30	133	16	10	24,13	215,67	PHS 24B-1C95
	96	921,96	A	40	-	-	-	-	186,70	PHS 24B-1A96	
			C	-	30	133	16	10	24,13	220,20	PHS 24B-1C96
	114	921,96	A	40	-	-	-	-	237,46	PHS 24B-1A114	
			C	-	30	133	16	10	24,13	301,71	PHS 24B-1C114
	44,45	11	157,77	A	20	-	-	-	-	3,18	PHS 28B-1A11
				B	-	25	73	11	70	29,44	5,27
		12	171,74	A	20	-	-	-	-	3,95	PHS 28B-1A12
				B	-	25	84	12	70	29,44	6,40
		13	185,74	A	20	-	-	-	-	4,31	PHS 28B-1A13
				B	-	25	93	12	70	29,44	8,22
		14	199,76	A	20	-	-	-	-	4,77	PHS 28B-1A14
				B	-	25	93	12	70	29,44	9,13
		15	213,79	A	20	-	-	-	-	5,45	PHS 28B-1A15
				B	-	25	108	12	70	29,44	11,40
16		227,84	A	30	-	-	-	-	6,81	PHS 28B-1A16	
			B	-	30	108	16	75	29,44	12,76	PHS 28B-1B16
17		241,91	A	30	-	-	-	-	7,71	PHS 28B-1A17	
			B	-	30	108	16	75	29,44	13,65	PHS 28B-1B17
18		255,98	A	30	-	-	-	-	8,63	PHS 28B-1A18	
			B	-	30	108	16	75	29,44	13,65	PHS 28B-1B18

Maximum bores can accommodate standard keyways. Larger bores are available where a shallow keyway is used or no keyway is required. For sprockets with hardened teeth, add "H" before the number of teeth, e.g. PHS 08B-1AH8.

Metric sprockets, simplex, taper bushed

ISO 06B-1 · 9,525 mm pitch | ISO 08B-1 · 12,70 mm pitch

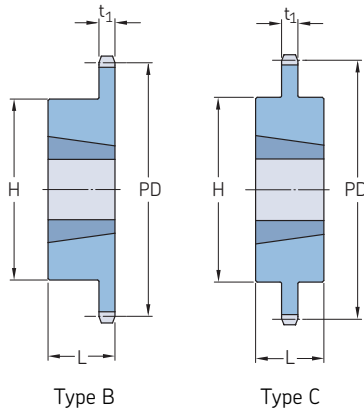


Pitch	Number of teeth	Pitch diameter	Type	Bushing number	Dimensions				Plate thickness	Mass Rim	Bushing	Designation
					Bore		L	H				
		PD			Min.	Max.			t ₁			
mm	-	mm	-	-	mm					kg	-	
9,525	16	48,82	B	1008	9	25,4	22,0	42,0*	5,31	0,12	0,09	PHS 06B-1TB16
	17	51,83	B	1008	9	25,4	22,0	45,0	5,31	0,13	0,09	PHS 06B-1TB17
	18	54,85	B	1008	9	25,4	22,0	45,0	5,31	0,14	0,09	PHS 06B-1TB18
	19	57,87	B	1008	9	25,4	22,0	45,0	5,31	0,16	0,09	PHS 06B-1TB19
	20	60,89	B	1008	9	25,4	22,0	46,0	5,31	0,18	0,09	PHS 06B-1TB20
	21	63,91	B	1008	9	25,4	22,0	46,0	5,31	0,20	0,09	PHS 06B-1TB21
	22	66,93	B	1108	9	28,0	22,0	52,0	5,31	0,24	0,12	PHS 06B-1TB22
	23	69,95	B	1210	11	31,8	25,0	63,0*	5,31	0,30	0,21	PHS 06B-1TB23
	24	72,97	B	1210	11	31,8	25,0	63,0	5,31	0,32	0,21	PHS 06B-1TB24
	25	76,00	B	1210	11	31,8	25,0	63,0	5,31	0,35	0,21	PHS 06B-1TB25
	26	79,02	B	1210	11	31,8	25,0	63,0	5,31	0,35	0,21	PHS 06B-1TB26
	27	82,05	B	1210	11	31,8	25,0	63,0	5,31	0,38	0,21	PHS 06B-1TB27
	28	85,07	B	1210	11	31,8	25,0	63,0	5,31	0,38	0,21	PHS 06B-1TB28
	29	88,09	B	1210	11	31,8	25,0	63,0	5,31	0,40	0,21	PHS 06B-1TB29
	30	91,12	B	1210	11	31,8	25,0	63,0	5,31	0,41	0,21	PHS 06B-1TB30
	32	97,18	B	1210	11	31,8	25,0	63,0	5,31	0,58	0,21	PHS 06B-1TB32
	35	106,26	B	1210	11	31,8	25,0	63,0	5,31	0,76	0,21	PHS 06B-1TB35
	36	109,29	B	1210	11	31,8	25,0	63,0	5,31	0,82	0,21	PHS 06B-1TB36
	38	115,35	B	1210	11	31,8	25,0	70,0	5,31	0,94	0,21	PHS 06B-1TB38
	40	121,40	B	1210	11	31,8	25,0	70,0	5,31	1,06	0,21	PHS 06B-1TB40
	45	136,55	B	1210	11	31,8	25,0	70,0	5,31	1,36	0,21	PHS 06B-1TB45
	48	145,65	B	1210	11	31,8	25,0	70,0	5,31	1,54	0,21	PHS 06B-1TB48
	54	163,82	B	1210	11	31,8	25,0	70,0	5,31	1,90	0,21	PHS 06B-1TB54
	57	172,90	B	1210	11	31,8	25,0	70,0	5,31	1,60	0,21	PHS 06B-1TB57
	60	182,00	B	1210	11	31,8	25,0	70,0	5,31	2,26	0,21	PHS 06B-1TB60
	70	212,30	B	1210	11	31,8	25,0	70,0	5,31	2,86	0,21	PHS 06B-1TB70
	76	230,49	B	1210	11	31,8	25,0	70,0	5,31	2,43	0,21	PHS 06B-1TB76
	95	288,08	B	1210	11	31,8	25,0	110,0	5,31	2,72	0,21	PHS 06B-1TB95
	114	345,68	B	1215	11	31,8	25,0	110,0	5,31	5,50	0,31	PHS 06B-1TB114
	12,70	14	57,07	B	1008	9	25,4	22,0	46,0*	7,37	0,12	0,14
15		61,09	B	1008	9	25,4	22,0	45,0	7,37	0,18	0,14	PHS 08B-1TB15
16		65,10	B	1108	9	28,0	22,0	52,0	7,37	0,24	0,16	PHS 08B-1TB16
17		69,11	B	1210	11	31,8	25,0	60,0*	7,37	0,24	0,27	PHS 08B-1TB17
18		73,14	B	1210	11	31,8	25,0	60,0*	7,37	0,30	0,27	PHS 08B-1TB18
19		77,16	B	1210	11	31,8	25,0	63,0	7,37	0,33	0,27	PHS 08B-1TB19
20		81,19	B	1610	11	31,8	25,0	71,0	7,37	0,32	0,41	PHS 08B-1TB20
21		85,22	B	1610	14	41,3	25,0	71,0	7,37	0,37	0,41	PHS 08B-1TB21
22		89,24	B	1610	14	41,3	25,0	76,0	7,37	0,50	0,41	PHS 08B-1TB22
23		93,27	B	1610	14	41,3	25,0	76,0	7,37	0,53	0,41	PHS 08B-1TB23
24		97,29	B	1610	14	41,3	25,0	76,0	7,37	0,54	0,41	PHS 08B-1TB24
25		101,33	B	1610	14	41,3	25,0	76,0	7,37	0,59	0,41	PHS 08B-1TB25
26		105,36	B	1610	14	41,3	25,0	76,0	7,37	0,61	0,41	PHS 08B-1TB26
27		109,40	B	1610	14	41,3	25,0	76,0	7,37	0,94	0,41	PHS 08B-1TB27
28		113,42	B	2012	14	50,8	25,0	90,0	7,37	0,86	0,77	PHS 08B-1TB28
29		117,46	B	2012	14	50,8	25,0	90,0	7,37	0,90	0,77	PHS 08B-1TB29
30		121,50	B	2012	14	50,8	32,0	90,0	7,37	0,94	0,59	PHS 08B-1TB30
32		129,57	B	2012	14	50,8	32,0	90,0	7,37	1,12	0,59	PHS 08B-1TB32
35		141,68	B	2012	14	50,8	32,0	90,0	7,37	1,30	0,59	PHS 08B-1TB35
36		145,72	B	2012	14	50,8	32,0	90,0	7,37	1,48	0,59	PHS 08B-1TB36
38		153,80	B	2012	14	50,8	32,0	90,0	7,37	1,67	0,59	PHS 08B-1TB38
40		161,87	B	2012	14	50,8	32,0	90,0	7,37	1,80	0,59	PHS 08B-1TB40
42		169,94	B	2012	14	50,8	32,0	100,0	7,37	1,93	0,59	PHS 08B-1TB42
45		182,07	B	2012	14	50,8	32,0	100,0	7,37	2,06	0,59	PHS 08B-1TB45
48		194,18	B	2012	14	50,8	32,0	100,0	7,37	2,36	0,59	PHS 08B-1TB48

* Undercut in hub for chain clearance
For sprockets with hardened teeth, add "H" before the number of teeth, e.g. PHS 08B-1TBH16.

Metric sprockets, simplex, taper bushed

ISO 12B-1 · 19,05 mm pitch | ISO 16B-1 · 25,40 mm pitch

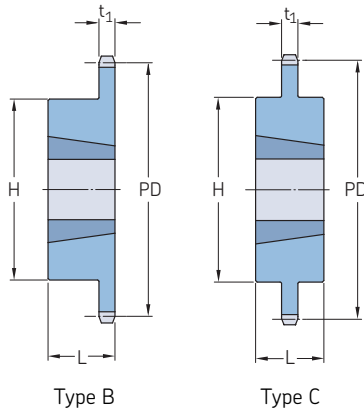


Pitch	Number of teeth	Pitch diameter	Type	Bushing number	Dimensions				Plate thickness	Mass Rim	Bushing	Designation
					Bore		L	H				
		PD			Min.	Max.			t ₁			
mm	-	mm	-	-	mm					kg		-
19,05	40	242,81	B	2517	16	63,5	45,0	108,0	11,10	5,78	1,30	PHS 12B-1TB40
	42	254,93	B	2517	16	63,5	45,0	108,0	11,10	6,33	1,30	PHS 12B-1TB42
	45	273,10	B	2517	16	63,5	45,0	108,0	11,10	5,70	1,30	PHS 12B-1TB45
	48	291,27	B	2517	16	63,5	45,0	108,0	11,10	7,97	1,30	PHS 12B-1TB48
	54	327,64	B	2517	16	63,5	45,0	108,0	11,10	9,61	1,30	PHS 12B-1TB54
	57	345,81	B	2517	16	63,5	45,0	108,0	11,10	6,49	1,30	PHS 12B-1TB57
	60	363,99	B	2517	16	63,5	45,0	108,0	11,10	11,25	1,30	PHS 12B-1TB60
	68	412,49	B	2517	16	63,5	45,0	108,0	11,10	13,44	1,30	PHS 12B-1TB68
	70	424,60	B	2517	16	63,5	45,0	108,0	11,10	13,99	1,30	PHS 12B-1TB70
	72	436,74	B	2517	16	63,5	45,0	108,0	11,10	14,54	1,30	PHS 12B-1TB72
	76	460,99	B	2517	16	63,5	45,0	108,0	11,10	11,20	1,30	PHS 12B-1TB76
	84	509,48	B	2517	16	63,5	45,0	108,0	11,10	17,82	1,30	PHS 12B-1TB84
	95	576,17	B	2517	16	63,5	45,0	108,0	11,10	17,64	1,30	PHS 12B-1TB95
	96	582,23	B	2517	16	63,5	45,0	108,0	11,10	21,11	1,30	PHS 12B-1TB96
114	691,36	B	2517	16	63,5	64,0	108,0	11,10	26,04	1,30	PHS 12B-1TB114	
25,40	10	82,19	B	1215	11	31,8	38,0	62,7	16,18	0,34	0,30	PHS 16B-1TB10
	11	90,14	B	1215	11	31,8	38,0	62,7	16,18	0,57	0,30	PHS 16B-1TB11
	12	98,14	B	1615	14	41,3	38,0	76,2	16,18	0,81	0,43	PHS 16B-1TB12
	13	106,12	B	1615	14	41,3	38,0	73,0	16,18	1,03	0,43	PHS 16B-1TB13
	14	114,15	B	1615	14	41,3	38,0	78,0	16,18	1,26	0,43	PHS 16B-1TB14
	15	122,17	B	1615	14	41,3	38,0	76,0	16,18	1,40	0,43	PHS 16B-1TB15
	16	130,20	B	2012	14	50,8	32,0	90,0	16,18	1,42	0,59	PHS 16B-1TB16
	17	138,22	B	2012	14	50,8	32,0	90,0	16,18	1,60	0,59	PHS 16B-1TB17
	18	146,28	B	2517	16	63,5	45,0	108,0	16,18	2,09	1,30	PHS 16B-1TB18
	19	154,33	B	2517	16	63,5	45,0	108,0	16,18	2,30	1,30	PHS 16B-1TB19
	20	162,38	B	2517	16	63,5	45,0	110,0	16,18	2,56	1,30	PHS 16B-1TB20
	21	170,43	B	2517	16	63,5	45,0	110,0	16,18	2,80	1,30	PHS 16B-1TB21
	22	178,48	B	2517	16	63,5	45,0	110,0	16,18	3,36	1,30	PHS 16B-1TB22
	23	186,53	B	2517	16	63,5	45,0	110,0	16,18	3,34	1,30	PHS 16B-1TB23
	24	194,59	B	2517	16	63,5	45,0	110,0	16,18	3,66	1,30	PHS 16B-1TB24
	25	202,66	B	2517	16	63,5	45,0	110,0	16,18	3,96	1,30	PHS 16B-1TB25
	26	210,72	B	2517	16	63,5	45,0	110,0	16,18	4,26	1,30	PHS 16B-1TB26
	27	218,79	B	2517	16	63,5	45,0	110,0	16,18	4,63	1,30	PHS 16B-1TB27
	28	226,85	B	2517	16	63,5	45,0	140,0	16,18	4,97	1,30	PHS 16B-1TB28
	29	234,92	B	3020	25	76,2	51,0	140,0	16,18	6,24	2,24	PHS 16B-1TB29
	30	243,00	B	3020	25	76,2	51,0	140,0	16,18	6,67	2,24	PHS 16B-1TB30
	32	259,13	B	3020	25	76,2	51,0	140,0	16,18	8,37	2,24	PHS 16B-1TB32
	35	283,36	B	3020	25	76,2	51,0	140,0	16,18	10,92	2,24	PHS 16B-1TB35
	36	291,44	B	3020	25	76,2	51,0	140,0	16,18	11,77	2,24	PHS 16B-1TB36
	38	307,59	B	3020	25	76,2	51,0	140,0	16,18	9,49	2,24	PHS 16B-1TB38
	40	323,75	B	3020	25	76,2	51,0	140,0	16,18	15,17	2,24	PHS 16B-1TB40
	45	364,13	B	3020	25	76,2	51,0	140,0	16,18	11,70	2,24	PHS 16B-1TB45
	48	388,36	B	3020	25	76,2	51,0	140,0	16,18	18,91	2,24	PHS 16B-1TB48
	54	436,85	B	3020	25	76,2	51,0	140,0	16,18	21,72	2,24	PHS 16B-1TB54
	57	461,07	B	3020	25	76,2	51,0	140,0	16,18	15,00	2,24	PHS 16B-1TB57
	60	485,32	B	3020	25	76,2	51,0	140,0	16,18	24,52	2,24	PHS 16B-1TB60
	64	517,65	B	3020	25	76,2	51,0	140,0	16,18	26,39	2,24	PHS 16B-1TB64
	70	566,14	B	3020	25	76,2	51,0	140,0	16,18	29,20	2,24	PHS 16B-1TB70
	76	614,65	B	3020	25	76,2	51,0	140,0	16,18	23,00	2,24	PHS 16B-1TB76
80	646,96	B	3020	25	76,2	51,0	140,0	16,18	33,87	2,24	PHS 16B-1TB80	
84	679,30	B	3020	25	76,2	51,0	140,0	16,18	35,74	2,24	PHS 16B-1TB84	
95	768,22	B	3020	25	76,2	51,0	140,0	16,18	40,88	2,24	PHS 16B-1TB95	
114	921,81	B	3020	25	76,2	76,0	140,0	16,18	49,77	2,24	PHS 16B-1TB114	

* Undercut in hub for chain clearance
For sprockets with hardened teeth, add "H" before the number of teeth, e.g. PHS 08B-1TBH16.

Metric sprockets, simplex, taper bushed

ISO 28B-1 · 44,45 mm pitch | ISO 32B-1 · 50,80 mm pitch



Pitch	Number of teeth	Pitch diameter PD	Type	Bushing number	Dimensions				Plate thickness t ₁	Mass Rim	Bushing	Designation	
					Bore		L	H					
mm	-	mm	-	-	mm	Min.	Max.			kg	-		
44,45	13	185,75	B	3020	25	76,2	50,8	133,4	29,44	5,90	2,24	PHS 28B-1TB13	
	14	199,76	B	3020	25	76,2	50,8	133,4	29,44	7,04	2,24	PHS 28B-1TB14	
	15	213,79	B	3020	25	76,2	50,8	133,4	29,44	8,17	2,24	PHS 28B-1TB15	
	16	227,84	B	3020	25	76,2	50,8	133,4	29,44	9,76	2,24	PHS 28B-1TB16	
	17	241,91	B	3020	25	76,2	50,8	133,4	29,44	11,35	2,24	PHS 28B-1TB17	
	18	255,98	B	3020	25	76,2	50,8	133,4	29,44	12,49	2,24	PHS 28B-1TB18	
	19	270,06	B	3020	25	76,2	50,8	133,4	29,44	13,62	2,24	PHS 28B-1TB19	
	20	284,15	B	3020	25	76,2	50,8	133,4	29,44	14,30	2,24	PHS 28B-1TB20	
	21	298,24	B	3020	25	76,2	50,8	133,4	29,44	14,98	2,24	PHS 28B-1TB21	
	22	312,34	B	3020	25	76,2	50,8	133,4	29,44	16,91	2,24	PHS 28B-1TB22	
	23	326,44	B	3020	25	76,2	50,8	133,4	29,44	18,84	2,24	PHS 28B-1TB23	
	24	340,55	B	3020	25	76,2	50,8	133,4	29,44	20,77	2,24	PHS 28B-1TB24	
	25	354,66	B	3020	25	76,2	50,8	133,4	29,44	22,70	2,24	PHS 28B-1TB25	
	26	368,77	B	3020	25	76,2	50,8	133,4	29,44	24,63	2,24	PHS 28B-1TB26	
	27	382,88	B	3020	25	76,2	50,8	133,4	29,44	26,56	2,24	PHS 28B-1TB27	
	28	397,00	B	3020	25	76,2	50,8	133,4	29,44	28,49	2,24	PHS 28B-1TB28	
	30	425,24	B	3020	25	76,2	50,8	133,4	29,44	32,35	2,24	PHS 28B-1TB30	
	32	453,49	B	3020	25	76,2	50,8	133,4	29,44	36,21	2,24	PHS 28B-1TB32	
	38	538,27	B	3535	35	88,9	88,9	165,1	29,44	45,40	3,56	PHS 28B-1TB38	
	40	566,54	C	3535	35	88,9	88,9	165,1	29,44	47,79	3,56	PHS 28B-1TB40	
	42	594,82	C	3535	35	88,9	88,9	165,1	29,44	50,18	3,56	PHS 28B-1TB42	
	45	637,22	C	4040	40	101,6	101,6	219,1	29,44	57,35	8,27	PHS 28B-1TB45	
	48	679,63	C	4040	40	101,6	101,6	219,1	29,44	61,17	8,27	PHS 28B-1TB48	
	54	764,46	C	4040	40	101,6	101,6	219,1	29,44	68,82	8,27	PHS 28B-1TB54	
	57	806,90	C	4040	40	101,6	101,6	219,1	29,44	72,64	8,27	PHS 28B-1TB57	
	60	849,32	C	4040	40	101,6	101,6	219,1	29,44	76,44	8,27	PHS 28B-1TB60	
	68	962,46	C	4040	40	101,6	101,6	219,1	29,44	86,63	8,27	PHS 28B-1TB68	
	72	1 019,05	C	4040	40	101,6	101,6	219,1	29,44	91,73	8,27	PHS 28B-1TB72	
	76	1 075,62	C	4040	40	101,6	101,6	219,1	29,44	96,83	8,27	PHS 28B-1TB76	
	95	1 344,37	C	4040	40	101,6	101,6	219,1	29,44	121,03	8,27	PHS 28B-1TB95	
	50,80	11	180,34	B	2517	16	63,5	44,5	107,9	29,44	4,51	1,30	PHS 32B-1TB11
		12	196,29	B	3020	25	76,2	50,8	133,4	29,44	5,27	2,24	PHS 32B-1TB12
13		212,29	B	3020	25	76,2	50,8	133,4	29,44	6,38	2,24	PHS 32B-1TB13	
14		228,29	B	3020	25	76,2	50,8	133,4	29,44	6,87	2,24	PHS 32B-1TB14	
15		244,30	B	3535	35	88,9	88,9	165,1	29,44	11,80	5,18	PHS 32B-1TB15	
16		260,40	B	3535	35	88,9	88,9	165,1	29,44	13,38	5,18	PHS 32B-1TB16	
17		276,40	B	3535	35	88,9	88,9	165,1	29,44	14,98	5,18	PHS 32B-1TB17	
18		292,55	B	3535	35	88,9	88,9	165,1	29,44	16,12	5,18	PHS 32B-1TB18	
19		308,66	B	3535	35	88,9	88,9	165,1	29,44	17,25	5,18	PHS 32B-1TB19	
20		324,71	B	3535	35	88,9	88,9	165,1	29,44	21,10	5,18	PHS 32B-1TB20	
21		340,82	B	3535	35	88,9	88,9	165,1	29,44	24,94	5,18	PHS 32B-1TB21	
22		356,98	B	3535	35	88,9	88,9	165,1	29,44	27,79	5,18	PHS 32B-1TB22	
23		373,08	B	3535	35	88,9	88,9	165,1	29,44	30,64	5,18	PHS 32B-1TB23	
24		389,18	B	3535	35	88,9	88,9	165,1	29,44	33,48	5,18	PHS 32B-1TB24	
25		405,33	B	3535	35	88,9	88,9	165,1	29,44	36,32	5,18	PHS 32B-1TB25	
26		421,44	B	3535	35	88,9	88,9	165,1	29,44	39,16	5,18	PHS 32B-1TB26	
27		437,59	B	3535	35	88,9	88,9	165,1	29,44	42,00	5,18	PHS 32B-1TB27	
28		453,69	B	3535	35	88,9	88,9	165,1	29,44	44,84	5,18	PHS 32B-1TB28	
30		486,00	B	3535	35	88,9	88,9	165,1	29,44	50,52	5,18	PHS 32B-1TB30	
32		518,26	B	3535	35	88,9	88,9	165,1	29,44	56,20	5,18	PHS 32B-1TB32	
38		615,14	B	4040	40	101,6	101,6	219,1	29,44	68,10	8,27	PHS 32B-1TB38	
40		647,49	C	4040	40	101,6	101,6	219,1	29,44	77,08	8,27	PHS 32B-1TB40	
45		728,26	C	4040	40	101,6	101,6	219,1	29,44	99,53	8,27	PHS 32B-1TB45	
48		776,72	C	4040	40	101,6	101,6	219,1	29,44	113,01	8,27	PHS 32B-1TB48	

* Undercut in hub for chain clearance
For sprockets with hardened teeth, add "H" before the number of teeth, e.g. PHS 08B-1TBH16.

Metric sprockets, simplex, taper bushed

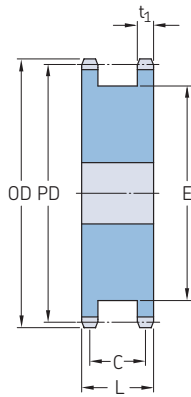
ISO 32B-1 · 50,80 mm pitch

Pitch	Number of teeth	Pitch diameter	Type	Bushing number	Dimensions				Plate thickness	Mass Rim	Bushing	Designation
					Bore		L	H				
		PD			Min.	Max.			t ₁			
mm	–	mm	–	–	mm					kg	–	
50,80	54	873,68	C	4040	40	101,6	114,3	219,1	29,44	139,95	8,27	PHS 32B-1TB54
	57	922,17	C	4545	55	114,3	114,3	247,7	29,44	136,20	9,99	PHS 32B-1TB57
	60	970,63	C	4545	55	114,3	114,3	247,7	29,44	158,84	9,99	PHS 32B-1TB60
	64	1 035,30	C	4545	55	114,3	114,3	247,7	29,44	189,03	9,99	PHS 32B-1TB64
	70	1 132,29	C	4545	55	114,3	114,3	247,7	29,44	234,32	9,99	PHS 32B-1TB70

* Undercut in hub for chain clearance
 For sprockets with hardened teeth, add "H" before the number of teeth, e.g. PHS 08B-1TBH16.

Metric sprockets, double simplex, pilot bore

ISO 06B-1 · 9,525 mm pitch | ISO 08B-1 · 12,70 mm pitch | ISO 10B-1 · 15,88 mm pitch | ISO 12B-1 · 19,05 mm pitch



Type A

Pitch	Number of teeth	Diameters		Type	Dimensions					Plate thickness t_1	Mass	Designation	
		Outside	Pitch		Bore		L	C	E				
mm	-	mm	mm	-	mm	mm	mm	mm	mm	mm	kg	-	
9,525	14	46,30	42,80	A	10	20,00	25,5	20,3	31	9,52	0,17	PHS 06B-1DSA14	
	15	49,30	45,81	A	10	23,00	25,5	20,3	34	9,52	0,20	PHS 06B-1DSA15	
	16	52,30	48,82	A	10	25,00	25,5	20,3	37	9,52	0,23	PHS 06B-1DSA16	
	17	55,30	51,83	A	12	27,00	25,5	20,3	40	9,52	0,27	PHS 06B-1DSA17	
	18	58,30	54,85	A	12	29,00	25,5	20,3	43	9,52	0,30	PHS 06B-1DSA18	
	19	61,30	57,87	A	12	31,00	25,5	20,3	46	9,52	0,35	PHS 06B-1DSA19	
	20	64,30	60,89	A	12	33,00	25,5	20,3	48	9,52	0,39	PHS 06B-1DSA20	
	21	68,00	63,91	A	15	35,00	25,5	20,3	52	9,52	0,44	PHS 06B-1DSA21	
	22	71,00	66,93	A	15	36,00	25,5	20,3	55	9,52	0,50	PHS 06B-1DSA22	
	23	73,50	69,95	A	15	38,00	25,5	20,3	59	9,52	0,55	PHS 06B-1DSA23	
	24	77,00	72,97	A	15	40,00	25,5	20,3	61	9,52	0,61	PHS 06B-1DSA24	
	25	80,00	76,02	A	15	43,00	25,5	20,3	65	9,52	0,67	PHS 06B-1DSA25	
	12,70	12	53,00	49,07	A	10	24,00	32,0	24,8	35	12,70	0,35	PHS 08B-1DSA12
		13	57,40	53,06	A	10	26,00	32,0	24,8	37	12,70	0,41	PHS 08B-1DSA13
14		61,80	57,07	A	10	27,00	32,0	24,8	41	12,70	0,49	PHS 08B-1DSA14	
15		65,50	61,09	A	10	30,00	32,0	24,8	45	12,70	0,55	PHS 08B-1DSA15	
16		69,50	65,10	A	12	34,00	32,0	24,8	50	12,70	0,64	PHS 08B-1DSA16	
17		73,60	69,11	A	12	36,00	32,0	24,8	53	12,70	0,73	PHS 08B-1DSA17	
18		77,80	73,14	A	12	38,00	32,0	24,8	58	12,70	0,82	PHS 08B-1DSA18	
19		81,70	77,16	A	12	41,00	32,0	24,8	62	12,70	1,00	PHS 08B-1DSA19	
20		85,80	81,18	A	12	44,00	32,0	24,8	66	12,70	1,18	PHS 08B-1DSA20	
21		89,70	85,22	A	15	46,00	32,0	24,8	70	12,70	1,32	PHS 08B-1DSA21	
22		93,80	89,24	A	15	48,00	32,0	24,8	74	12,70	1,36	PHS 08B-1DSA22	
23		98,20	93,27	A	15	52,00	32,0	24,8	78	12,70	1,59	PHS 08B-1DSA23	
24		101,80	97,29	A	15	54,00	32,0	24,8	82	12,70	1,70	PHS 08B-1DSA24	
25		105,80	101,33	A	15	57,00	32,0	24,8	86	12,70	1,82	PHS 08B-1DSA25	
15,88	12	68,00	61,34	A	15	30,00	42,0	27,9	45	0,59	0,59	PHS 10B-1DSA12	
	13	73,00	66,32	A	15	34,00	42,0	27,9	48	0,70	0,70	PHS 10B-1DSA13	
	14	78,00	71,34	A	15	36,00	42,0	27,9	55	0,83	0,83	PHS 10B-1DSA14	
	15	83,00	76,36	A	15	40,00	42,0	27,9	58	0,95	0,95	PHS 10B-1DSA15	
	16	88,00	81,37	A	15	42,00	42,0	27,9	64	1,09	1,09	PHS 10B-1DSA16	
	17	93,00	86,39	A	15	44,00	42,0	27,9	68	1,32	1,32	PHS 10B-1DSA17	
	18	98,00	91,42	A	15	47,00	42,0	27,9	73	1,50	1,50	PHS 10B-1DSA18	
	19	103,30	96,45	A	19	52,00	42,0	27,9	79	1,68	1,68	PHS 10B-1DSA19	
	20	108,40	101,49	A	19	57,00	42,0	27,9	83	1,91	1,91	PHS 10B-1DSA20	
	21	113,40	106,52	A	19	57,00	42,0	27,9	89	2,18	2,18	PHS 10B-1DSA21	
	22	118,00	111,55	A	19	61,00	42,0	27,9	93	2,41	2,41	PHS 10B-1DSA22	
	23	123,40	116,58	A	19	65,00	42,0	27,9	99	2,64	2,64	PHS 10B-1DSA23	
	24	128,30	121,62	A	19	69,00	42,0	27,9	103	2,86	2,86	PHS 10B-1DSA24	
	25	134,00	126,66	A	19	72,00	42,0	27,9	109	3,16	3,16	PHS 10B-1DSA25	
19,05	12	81,50	73,61	A	20	35,00	45,0	33,9	53	19,05	1,08	PHS 12B-1DSA12	
	13	87,50	79,59	A	20	38,00	45,0	33,9	59	19,05	1,29	PHS 12B-1DSA13	
	14	93,60	85,62	A	20	42,00	45,0	33,9	65	19,05	1,52	PHS 12B-1DSA14	
	15	99,80	91,61	A	20	38,00	45,0	33,9	71	19,05	1,73	PHS 12B-1DSA15	
	16	105,50	97,63	A	20	46,00	45,0	33,9	77	19,05	2,09	PHS 12B-1DSA16	
	17	111,50	103,67	A	20	55,00	45,0	33,9	71	19,05	2,41	PHS 12B-1DSA17	
	18	118,00	109,71	A	20	58,00	45,0	33,9	88	19,05	2,95	PHS 12B-1DSA18	
	19	124,20	115,75	A	20	62,00	45,0	33,9	71	19,05	3,09	PHS 12B-1DSA19	
	20	129,70	121,78	A	24	65,00	45,0	33,9	100	19,05	3,30	PHS 12B-1DSA20	
	21	136,00	127,82	A	24	70,00	45,0	33,9	71	19,05	3,62	PHS 12B-1DSA21	
	22	141,80	133,86	A	24	73,00	45,0	33,9	112	19,05	4,00	PHS 12B-1DSA22	
	23	149,00	139,90	A	24	77,00	45,0	33,9	71	19,05	4,60	PHS 12B-1DSA23	
	24	153,90	145,94	A	24	81,00	45,0	33,9	124	19,05	4,95	PHS 12B-1DSA24	

For sprockets with hardened teeth, add "H" before the number of teeth, e.g. PHS 06B-1DSA14H.

Metric sprockets, double simplex, pilot bore

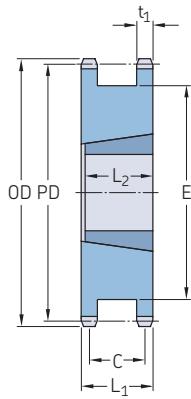
ISO 12B-1 · 19,05 mm pitch | ISO 16B-1 · 25,40 mm pitch | ISO 20B-1 · 31,75 mm pitch

Pitch	Number of teeth	Diameters		Type	Dimensions			L	C	E	Plate thickness t_1	Mass	Designation
		Outside	Pitch		Bore								
		OD	PD		Min.	Max.							
mm	-	mm		-	mm							kg	-
19,05	25	160,30	151,94	A	24	85,00	45,0	33,9	71	19,05	5,30		PHS 12B-1DSA25
25,40	12	109,00	98,14	A	24	46,00	64,0	47,8	72	25,40	2,48		PHS 16B-1DSA12
	13	117,00	106,12	A	24	50,00	64,0	47,8	78	25,40	3,09		PHS 16B-1DSA13
	14	125,00	114,15	A	24	57,00	64,0	47,8	84	25,40	3,70		PHS 16B-1DSA14
	15	133,00	122,17	A	24	60,00	64,0	47,8	95	25,40	4,35		PHS 16B-1DSA15
	16	141,00	130,20	A	24	68,00	64,0	47,8	101	25,40	5,00		PHS 16B-1DSA16
	17	149,00	138,22	A	24	71,00	64,0	47,8	111	25,40	5,75		PHS 16B-1DSA17
	18	157,00	146,28	A	24	79,00	64,0	47,8	117	25,40	6,50		PHS 16B-1DSA18
	19	165,20	154,33	A	24	82,00	64,0	47,8	127	25,40	7,40		PHS 16B-1DSA19
	20	173,20	162,38	A	24	88,00	64,0	47,8	134	25,40	8,30		PHS 16B-1DSA20
	21	181,20	170,43	A	24	95,00	64,0	47,8	143	25,40	9,20		PHS 16B-1DSA21
	22	189,30	178,48	A	24	100,00	64,0	47,8	151	25,40	10,15		PHS 16B-1DSA22
	23	197,50	186,59	A	24	107,00	64,0	47,8	160	25,40	11,20		PHS 16B-1DSA23
	24	205,50	194,59	A	24	111,00	64,0	47,8	168	25,40	12,80		PHS 16B-1DSA24
25	213,50	178,49	A	24	115,00	64,0	47,8	176	25,40	14,40		PHS 16B-1DSA25	
31,75	13	147,83	132,66	A	25	63,50	68,3	49,8	96	31,75	5,09		PHS 20B-1DSA13
	14	158,24	142,67	A	25	69,85	68,3	49,8	106	31,75	6,14		PHS 20B-1DSA14
	15	168,40	152,70	A	32	77,79	68,3	49,8	116	31,75	7,64		PHS 20B-1DSA15
	16	178,56	162,74	A	32	82,55	68,3	49,8	114	31,75	8,77		PHS 20B-1DSA16
	17	188,98	172,80	A	32	92,08	68,3	49,8	124	31,75	9,77		PHS 20B-1DSA17
	18	199,14	182,83	A	32	95,25	68,3	49,8	134	31,75	10,45		PHS 20B-1DSA18
	19	209,30	192,91	A	32	106,36	68,3	49,8	157	31,75	11,36		PHS 20B-1DSA19
	20	219,46	202,97	A	32	106,36	68,3	49,8	167	31,75	12,05		PHS 20B-1DSA20
	21	229,62	213,03	A	32	133,35	68,3	49,8	177	31,75	13,18		PHS 20B-1DSA21

For sprockets with hardened teeth, add "H" before the number of teeth, e.g. PHS 06B-1DSA14.

Metric sprockets, double simplex, taper bushed

ISO 06B-1 · 9,525 mm pitch | ISO 08B-1 · 12,70 mm pitch | ISO 10B-1 · 15,88 mm pitch | ISO 12B-1 · 19,05 mm pitch | ISO 16B-1 · 25,40 mm pitch



Type A

Pitch	Number of teeth	Diameters		Type	Bushing number	Dimensions Bore		L ₁	C	E	L ₂	Plate thickness t ₁	Mass*	Designation	
		OD	PD			Min.	Max.								
mm	-	mm	mm	-	-	mm	mm	mm	mm	mm	mm	mm	kg	-	
9,525	18	58,30	54,85	A	1008	9	25	23,5	18,17	43	22,2	5,31	0,19	PHS 06B-1DSTB18	
	19	61,30	57,87	A	1008	9	25	23,5	18,17	46	22,2	5,31	0,23	PHS 06B-1DSTB19	
	20	64,30	60,89	A	1108	9	28	23,5	18,17	48	22,2	5,31	0,25	PHS 06B-1DSTB20	
	21	68,00	63,91	A	1108	9	28	23,5	18,17	52	22,2	5,31	0,31	PHS 06B-1DSTB21	
	22	71,00	66,93	A	1108	9	28	23,5	18,17	55	22,2	5,31	0,36	PHS 06B-1DSTB22	
	23	73,50	69,95	A	1108	9	28	23,5	18,17	58	22,2	5,31	0,41	PHS 06B-1DSTB23	
	24	77,00	72,97	A	1108	9	28	23,5	18,17	61	22,2	5,31	0,47	PHS 06B-1DSTB24	
	25	80,00	76,02	A	1108	9	28	23,5	18,17	64	22,2	5,31	0,53	PHS 06B-1DSTB25	
	12,70	14	61,80	57,07	A	1008	9	25	35,7	28,58	41	22,2	7,20	0,32	PHS 08B-1DSTB14
		15	65,30	61,09	A	1008	9	25	35,7	28,58	45	22,2	7,20	0,40	PHS 08B-1DSTB15
16		69,50	65,10	A	1108	9	28	35,7	28,58	49	22,2	7,20	0,44	PHS 08B-1DSTB16	
17		73,60	69,11	A	1215	11	32	35,7	28,58	53	38,1	7,20	0,43	PHS 08B-1DSTB17	
18		77,80	73,14	A	1215	11	32	35,7	28,58	58	38,1	7,20	0,46	PHS 08B-1DSTB18	
19		81,70	77,15	A	1215	11	32	35,7	28,58	63	38,1	7,20	0,50	PHS 08B-1DSTB19	
20		85,80	81,18	A	1215	11	32	35,7	28,58	66	38,1	7,20	0,59	PHS 08B-1DSTB20	
21		89,70	85,22	A	1615	14	42	35,7	28,58	70	38,1	7,20	0,59	PHS 08B-1DSTB21	
22		93,80	89,24	A	1615	14	42	35,7	28,58	74	38,1	7,20	0,64	PHS 08B-1DSTB22	
23		98,20	93,27	A	1615	14	42	35,7	28,58	78	38,1	7,20	0,68	PHS 08B-1DSTB23	
24	101,80	97,29	A	1615	14	42	35,7	28,58	82	38,1	7,20	0,77	PHS 08B-1DSTB24		
25	105,80	101,33	A	2012	14	50	35,7	28,58	86	31,8	7,20	0,86	PHS 08B-1DSTB25		
15,88	12	68,00	61,34	A	1108	9	28	42,0	33,34	15,88	9,0	9,10	28,00	PHS 10B-1DSTB12	
	13	73,00	66,32	A	1108	9	28	42,0	33,34	15,88	9,0	9,10	28,00	PHS 10B-1DSTB13	
	14	78,00	71,34	A	1108	9	28	42,0	33,34	15,88	9,0	9,10	28,00	PHS 10B-1DSTB14	
	15	83,00	76,36	A	1215	11	32	42,0	33,34	15,88	11,0	9,10	32,00	PHS 10B-1DSTB15	
	16	88,00	81,37	A	1215	11	32	42,0	33,34	15,88	11,0	9,10	32,00	PHS 10B-1DSTB16	
	17	93,00	86,39	A	1615	14	42	42,0	33,34	15,88	14,0	9,10	42,00	PHS 10B-1DSTB17	
	18	98,30	91,42	A	1615	14	42	42,0	33,34	15,88	14,0	9,10	42,00	PHS 10B-1DSTB18	
	19	103,30	96,42	A	1615	14	42	42,0	33,34	15,88	14,0	9,10	42,00	PHS 10B-1DSTB19	
	20	108,40	101,49	A	1615	14	42	42,0	33,34	15,88	14,0	9,10	42,00	PHS 10B-1DSTB20	
	21	113,40	106,52	A	2012	14	50	42,0	33,34	15,88	14,0	9,10	50,00	PHS 10B-1DSTB21	
22	118,00	111,55	A	2012	14	50	42,0	33,34	15,88	14,0	9,10	50,00	PHS 10B-1DSTB22		
23	123,40	116,58	A	2012	14	50	42,0	33,34	15,88	14,0	9,10	50,00	PHS 10B-1DSTB23		
24	128,30	121,62	A	2012	14	50	42,0	33,34	15,88	14,0	9,10	50,00	PHS 10B-1DSTB24		
25	134,00	126,66	A	2012	14	50	42,0	33,34	15,88	14,0	9,10	50,00	PHS 10B-1DSTB25		
19,05	12	81,50	73,61	A	1215	11	32	49,2	38,10	19,05	11,0	11,10	32,00	PHS 12B-1DSTB12	
	13	87,50	79,59	A	1215	11	32	49,2	38,10	19,05	11,0	11,10	32,00	PHS 12B-1DSTB13	
	14	93,60	85,62	A	1215	11	32	49,2	38,10	19,05	11,0	11,10	32,00	PHS 12B-1DSTB14	
	15	99,80	91,61	A	1615	14	42	49,2	38,10	19,05	14,0	11,10	42,00	PHS 12B-1DSTB15	
	16	105,50	97,63	A	1615	14	42	49,2	38,10	19,05	14,0	11,10	42,00	PHS 12B-1DSTB16	
	17	111,50	103,67	A	1615	14	42	49,2	38,10	19,05	14,0	11,10	42,00	PHS 12B-1DSTB17	
	18	118,00	109,71	A	2012	14	50	49,2	38,10	19,05	14,0	11,10	50,00	PHS 12B-1DSTB18	
	19	124,20	115,75	A	2012	14	50	49,2	38,10	19,05	14,0	11,10	50,00	PHS 12B-1DSTB19	
	20	129,70	121,78	A	2517	16	65	49,2	38,10	19,05	16,0	11,10	65,00	PHS 12B-1DSTB20	
	21	136,00	127,82	A	2517	16	65	49,2	38,10	19,05	16,0	11,10	65,00	PHS 12B-1DSTB21	
22	141,80	133,86	A	2517	16	65	49,2	38,10	19,05	16,0	11,10	65,00	PHS 12B-1DSTB22		
23	149,00	139,90	A	2517	16	65	49,2	38,10	19,05	16,0	11,10	65,00	PHS 12B-1DSTB23		
24	153,90	145,94	A	2517	16	65	49,2	38,10	19,05	16,0	11,10	65,00	PHS 12B-1DSTB24		
25	160,30	151,94	A	2517	16	65	49,2	38,10	19,05	16,0	11,10	65,00	PHS 12B-1DSTB25		
25,40	12	109,00	98,14	A	1615	14	42	63,5	46,50	72	38,1	16,20	1,92	PHS 16B-1DSTB12	
	13	117,00	106,12	A	1615	14	42	63,5	46,50	80	38,1	16,20	2,53	PHS 16B-1DSTB13	
	14	125,00	114,15	A	2012	14	50	63,5	46,50	88	31,8	16,20	2,53	PHS 16B-1DSTB14	
	15	133,00	122,17	A	2012	14	50	63,5	46,50	96	31,8	16,20	3,10	PHS 16B-1DSTB15	
	16	141,00	130,20	A	2012	14	50	63,5	46,50	104	31,8	16,20	3,68	PHS 16B-1DSTB16	

* Mass for rim only
For sprockets with hardened teeth, add "H" before the number of teeth, e.g. PHS 06B-1DSTBH18.

Metric sprockets, double simplex, taper bushed

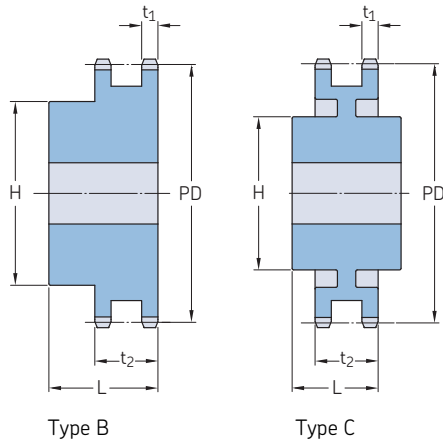
ISO 16B-1 · 25,40 mm pitch | ISO 20B-1 · 31,75 mm pitch

Pitch	Number of teeth	Diameters		Type	Bushing number	Dimensions Bore		L ₁	C	E	L ₂	Plate thickness t ₁	Mass*	Designation
		Outside OD	Pitch PD			Min.	Max.							
mm	–	mm	–	–	–	mm	–	–	–	–	–	–	kg	–
25,40	17	149,00	138,22	A	2517	16	65	63,5	46,50	112	44,5	16,20	3,89	PHS 16B-1DSTB17
	18	157,00	146,28	A	2517	16	65	63,5	46,50	120	44,5	16,20	4,65	PHS 16B-1DSTB18
	19	165,20	154,33	A	3020	25	75	63,5	46,50	128	50,8	16,20	4,50	PHS 16B-1DSTB19
	20	173,20	162,38	A	3020	25	75	63,5	46,50	135	50,8	16,20	5,10	PHS 16B-1DSTB20
	21	181,20	170,43	A	3020	25	75	63,5	46,50	142	50,8	16,20	6,00	PHS 16B-1DSTB21
	22	189,30	178,48	A	3020	25	75	63,5	46,50	151	50,8	16,20	6,20	PHS 16B-1DSTB22
	23	197,50	186,59	A	3525	35	90	63,5	46,50	160	63,5	16,20	7,15	PHS 16B-1DSTB23
	24	205,50	194,59	A	3525	35	90	63,5	46,50	167	63,5	16,20	8,10	PHS 16B-1DSTB24
	25	213,50	178,49	A	3525	35	90	63,5	46,50	175	63,5	16,20	9,00	PHS 16B-1DSTB25
	31,75	15	167,90	152,72	A	2517	16	60	68,3	49,80	115	44,5	18,50	4,20
16		177,90	162,75	A	2517	16	60	68,3	49,80	127	44,5	18,50	5,91	PHS 20B-1DSTB16
17		172,80	172,78	A	3020	25	75	68,3	49,80	137	50,8	18,50	6,36	PHS 20B-1DSTB17
18		182,83	182,85	A	3020	25	75	68,3	49,80	147	50,8	18,50	7,27	PHS 20B-1DSTB18
19		192,91	192,91	A	3020	25	75	68,3	49,80	157	50,8	18,50	9,09	PHS 20B-1DSTB19
20		218,10	202,98	A	3020	25	75	68,3	49,80	167	50,8	18,50	10,85	PHS 20B-1DSTB20
21		228,28	213,03	A	3020	25	75	68,3	49,80	177	50,8	18,50	12,50	PHS 20B-1DSTB21

* Mass for rim only
For sprockets with hardened teeth, add "H" before the number of teeth, e.g. PHS 06B-1DSTBH18.

Metric sprockets, duplex, standard

ISO 06B-2 · 9,525 mm pitch | ISO 08B-2 · 12,70 mm pitch



Pitch	Number of teeth	Pitch diameter PD	Type	Dimensions Bore		Hub		Plate thickness		Mass	Designation
				Min.	Max.	H	L	t ₁	t ₂		
mm	-	mm	-	mm						kg	-
9,525	12	36,80	B	10	12	25	25	5,20	15,44	0,11	PHS 06B-2B12
	13	39,79	B	10	12	28	25	5,20	15,44	0,14	PHS 06B-2B13
	14	42,80	B	10	18	31	25	5,20	15,44	0,17	PHS 06B-2B14
	15	45,81	B	10	18	34	25	5,20	15,44	0,20	PHS 06B-2B15
	16	48,82	B	12	20	37	30	5,20	15,44	0,26	PHS 06B-2B16
	17	51,83	B	12	23	40	30	5,20	15,44	0,32	PHS 06B-2B17
	18	54,85	B	12	25	43	30	5,20	15,44	0,37	PHS 06B-2B18
	19	57,87	B	12	28	46	30	5,20	15,44	0,42	PHS 06B-2B19
	20	60,89	B	12	25	49	30	5,20	15,44	0,48	PHS 06B-2B20
	21	63,91	B	12	30	52	30	5,20	15,44	0,54	PHS 06B-2B21
	22	66,93	B	12	28	55	30	5,20	15,44	0,61	PHS 06B-2B22
	23	69,95	B	12	35	58	30	5,20	15,44	0,67	PHS 06B-2B23
	24	72,97	B	12	32	61	30	5,20	15,44	0,74	PHS 06B-2B24
	25	76,00	B	12	40	64	30	5,20	15,44	0,81	PHS 06B-2B25
	26	79,02	B	12	32	67	30	5,20	15,44	0,92	PHS 06B-2B26
	27	82,05	B	12	40	70	30	5,20	15,44	0,97	PHS 06B-2B27
	28	85,07	B	12	32	73	30	5,20	15,44	1,08	PHS 06B-2B28
	29	88,09	B	12	32	76	30	5,20	15,44	1,15	PHS 06B-2B29
	30	91,12	B	12	40	79	30	5,20	15,44	1,23	PHS 06B-2B30
	32	97,17	B	16	52	80	30	5,20	15,44	1,38	PHS 06B-2B32
	35	106,26	B	16	52	80	30	5,20	15,44	1,61	PHS 06B-2B35
	36	109,29	B	16	60	90	30	5,20	15,44	1,69	PHS 06B-2B36
	38	115,35	B	16	50	90	30	5,20	15,44	1,84	PHS 06B-2B38
	40	121,40	B	16	52	90	30	5,20	15,44	2,00	PHS 06B-2B40
	42	127,46	B	16	60	90	40	5,20	15,44	2,15	PHS 06B-2B42
	45	136,55	B	16	50	90	40	5,20	15,44	2,01	PHS 06B-2B45
	48	145,64	B	16	60	90	40	5,20	15,44	2,61	PHS 06B-2B48
	52	157,75	B	16	60	90	40	5,20	15,44	2,92	PHS 06B-2B52
	57	172,91	B	16	50	90	40	5,20	15,44	2,34	PHS 06B-2B57
	60	182,00	B	16	60	90	40	5,20	15,44	3,53	PHS 06B-2B60
	68	206,24	B	16	60	90	40	5,20	15,44	4,14	PHS 06B-2B68
	70	212,30	B	16	60	90	40	5,20	15,44	4,30	PHS 06B-2B70
72	218,37	B	16	60	90	40	5,20	15,44	4,45	PHS 06B-2B72	
76	230,49	B	16	50	90	40	5,20	15,44	3,35	PHS 06B-2B76	
84	254,74	B	16	60	90	40	5,20	15,44	5,37	PHS 06B-2B84	
95	288,08	B	16	62	90	40	5,20	15,44	6,21	PHS 06B-2B95	
96	291,11	B	16	62	90	40	5,20	15,44	6,29	PHS 06B-2B96	
114	345,68	B	16	62	90	40	5,20	15,44	7,67	PHS 06B-2B114	
12,70	10	41,10	B	10	18	28	32	7,24	21,13	0,15	PHS 08B-2B10
	11	45,07	B	12	21	32	35	7,24	21,13	0,22	PHS 08B-2B11
	12	49,07	B	12	19	35	35	7,24	21,13	0,29	PHS 08B-2B12
	13	53,06	B	12	21	38	35	7,24	21,13	0,36	PHS 08B-2B13
	14	57,07	B	12	28	42	35	7,24	21,13	0,44	PHS 08B-2B14
	15	61,09	B	12	28	46	35	7,24	21,13	0,52	PHS 08B-2B15
	16	65,10	B	14	33	50	35	7,24	21,13	0,61	PHS 08B-2B16
	17	69,11	B	14	30	54	35	7,24	21,13	0,70	PHS 08B-2B17
	18	73,14	B	14	38	58	35	7,24	21,13	0,81	PHS 08B-2B18
	19	77,16	B	14	40	62	35	7,24	21,13	0,91	PHS 08B-2B19
	20	81,19	B	14	40	66	35	7,24	21,13	1,10	PHS 08B-2B20
	21	85,22	B	16	40	70	40	7,24	21,13	1,29	PHS 08B-2B21
	22	89,24	B	16	45	70	40	7,24	21,13	1,37	PHS 08B-2B22
	23	93,27	B	16	50	70	40	7,24	21,13	1,46	PHS 08B-2B23
	24	97,29	B	16	50	75	40	7,24	21,13	1,64	PHS 08B-2B24

Maximum bores can accommodate standard keyways. Larger bores are available.
For sprockets with hardened teeth, add "H" before the number of teeth, e.g. PHS 06B-2BH12.

Metric sprockets, duplex, standard

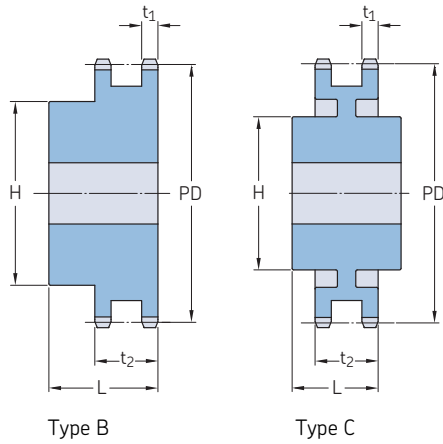
ISO 08B-2 · 12,70 mm pitch | ISO 10B-2 · 15,88 mm pitch | ISO 12B-2 · 19,05 mm pitch

Pitch	Number of teeth	Pitch diameter PD	Type	Dimensions		Hub		Plate thickness		Mass	Designation	
				Bore	Min.	Max.	H	L	t ₁			t ₂
12,70	25	101,33	B	16	50	80	40	7,24	21,13	1,83	PHS 08B-2B25	
	26	105,36	B	16	56	85	40	7,24	21,13	1,96	PHS 08B-2B26	
	27	109,40	B	16	50	85	40	7,24	21,13	2,09	PHS 08B-2B27	
	28	113,42	B	16	60	90	40	7,24	21,13	2,31	PHS 08B-2B28	
	29	117,46	B	16	62	95	40	7,24	21,13	2,53	PHS 08B-2B29	
	30	121,50	B	16	50	100	40	7,24	21,13	2,75	PHS 08B-2B30	
	32	129,56	B	20	64	100	40	7,24	21,13	3,08	PHS 08B-2B32	
	34	137,64	B	20	64	100	40	7,24	21,13	3,24	PHS 08B-2B34	
	35	141,68	B	20	64	100	40	7,24	21,13	3,41	PHS 08B-2B35	
	36	145,72	B	20	73	100	40	7,24	21,13	3,74	PHS 08B-2B36	
	38	153,80	B	20	55	100	40	7,24	21,13	4,08	PHS 08B-2B38	
	40	161,87	B	20	73	100	50	7,24	21,13	4,00	PHS 08B-2B40	
	42	169,95	B	20	73	108	50	7,24	21,13	3,90	PHS 08B-2B42	
	45	182,07	B	20	55	108	50	7,24	21,13	3,70	PHS 08B-2B45	
	48	194,18	B	20	73	108	50	7,24	21,13	4,10	PHS 08B-2B48	
	54	218,43	B	20	73	108	50	7,24	21,13	4,70	PHS 08B-2B54	
	57	230,54	B	20	55	108	50	7,24	21,13	5,01	PHS 08B-2B57	
	60	242,66	B	20	73	108	50	7,24	21,13	5,34	PHS 08B-2B60	
	68	274,99	B	20	73	108	55	7,24	21,13	5,68	PHS 08B-2B68	
	72	291,16	B	20	73	108	55	7,24	21,13	6,02	PHS 08B-2B72	
	76	307,33	B	20	60	108	55	7,24	21,13	6,36	PHS 08B-2B76	
	84	339,65	B	20	80	120	55	7,24	21,13	8,31	PHS 08B-2B84	
	95	384,10	B	20	60	110	55	7,24	21,13	10,26	PHS 08B-2B95	
	96	388,15	B	20	80	110	55	7,24	21,13	11,00	PHS 08B-2B96	
	114	460,90	B	20	80	110	55	7,24	21,13	12,45	PHS 08B-2B114	
	15,88	11	56,34	B	14	24	39	40	8,97	25,55	0,45	PHS 10B-2B11
		12	61,34	B	14	25	44	40	8,97	25,55	0,57	PHS 10B-2B12
		13	66,32	B	14	29	49	40	8,97	25,55	0,70	PHS 10B-2B13
		14	71,34	B	14	35	54	40	8,97	25,55	0,84	PHS 10B-2B14
		15	76,36	B	14	35	59	40	8,97	25,55	0,99	PHS 10B-2B15
		16	81,37	B	16	40	64	45	8,97	25,55	1,23	PHS 10B-2B16
		17	86,39	B	16	40	69	45	8,97	25,55	1,47	PHS 10B-2B17
		18	91,42	B	16	48	74	45	8,97	25,55	1,68	PHS 10B-2B18
		19	96,45	B	16	46	79	45	8,97	25,55	1,90	PHS 10B-2B19
		20	101,49	B	16	56	84	45	8,97	25,55	2,10	PHS 10B-2B20
		21	106,52	B	16	55	85	45	8,97	25,55	2,31	PHS 10B-2B21
22		111,55	B	16	60	90	45	8,97	25,55	2,58	PHS 10B-2B22	
23		116,58	B	16	55	95	45	8,97	25,55	2,85	PHS 10B-2B23	
24		121,62	B	16	64	100	45	8,97	25,55	3,14	PHS 10B-2B24	
25		126,66	B	16	55	105	45	8,97	25,55	3,44	PHS 10B-2B25	
26		131,70	B	20	73	110	45	8,97	25,55	3,69	PHS 10B-2B26	
27		136,75	B	20	55	110	45	8,97	25,55	3,95	PHS 10B-2B27	
28		141,78	B	20	76	115	45	8,97	25,55	4,25	PHS 10B-2B28	
29		146,83	B	20	76	115	45	8,97	25,55	4,55	PHS 10B-2B29	
30		151,87	B	20	58	120	45	8,97	25,55	4,87	PHS 10B-2B30	
32		161,95	B	20	80	120	45	8,97	25,55	4,95	PHS 10B-2B32	
35		177,10	B	20	80	120	45	8,97	25,55	5,08	PHS 10B-2B35	
36		182,15	B	20	80	120	45	8,97	25,55	5,11	PHS 10B-2B36	
38		192,24	B	20	58	120	45	8,97	25,55	5,20	PHS 10B-2B38	
40		202,34	B	20	80	120	45	8,97	25,55	5,41	PHS 10B-2B40	
45		227,58	B	20	60	120	50	8,97	25,55	5,94	PHS 10B-2B45	
48		242,73	B	20	80	120	50	8,97	25,55	7,27	PHS 10B-2B48	
57		288,18	B	20	60	120	50	8,97	25,55	8,61	PHS 10B-2B57	
60		303,32	B	20	85	120	57	8,97	25,55	9,30	PHS 10B-2B60	
70		353,84	B	20	85	120	57	8,97	25,55	9,99	PHS 10B-2B70	
76		384,16	B	20	85	120	57	8,97	25,55	10,68	PHS 10B-2B76	
80		404,35	B	20	85	130	58	8,97	25,55	11,00	PHS 10B-2B80	
95		480,14	B	20	85	130	58	8,97	25,55	12,00	PHS 10B-2B95	
114		576,13	B	20	85	130	58	8,97	25,55	13,00	PHS 10B-2B114	
19,05		10	61,65	B	12	32	42	45	10,87	30,33	0,57	PHS 12B-2B10
		11	67,61	B	16	32	47	50	10,87	30,33	0,80	PHS 12B-2B11
	12	73,61	B	16	32	53	50	10,87	30,33	1,03	PHS 12B-2B12	
	13	79,59	B	16	36	59	50	10,87	30,33	1,26	PHS 12B-2B13	
	14	85,61	B	16	42	65	50	10,87	30,33	1,52	PHS 12B-2B14	
	15	91,63	B	16	44	71	50	10,87	30,33	1,78	PHS 12B-2B15	
	16	97,65	B	20	51	77	50	10,87	30,33	2,08	PHS 12B-2B16	
	17	103,67	B	20	55	83	50	10,87	30,33	2,37	PHS 12B-2B17	
	18	109,71	B	20	60	89	50	10,87	30,33	2,72	PHS 12B-2B18	
	19	115,75	B	20	55	95	50	10,87	30,33	3,07	PHS 12B-2B19	
	20	121,78	B	20	64	100	50	10,87	30,33	3,39	PHS 12B-2B20	
	21	127,82	B	20	60	100	50	10,87	30,33	3,70	PHS 12B-2B21	
	22	133,86	B	20	64	100	50	10,87	30,33	4,11	PHS 12B-2B22	
	23	139,90	B	20	60	110	50	10,87	30,33	4,52	PHS 12B-2B23	
	24	145,94	B	20	73	110	50	10,87	30,33	4,96	PHS 12B-2B24	

Maximum bores can accommodate standard keyways. Larger bores are available.
For sprockets with hardened teeth, add "H" before the number of teeth, e.g. PHS 06B-2BH12.

Metric sprockets, duplex, standard

ISO 12B-2 · 19,05 mm pitch | ISO 16B-2 · 25,40 mm pitch



Pitch	Number of teeth	Pitch diameter PD	Type	Dimensions Bore		Hub		Plate thickness		Mass	Designation
				Min.	Max.	H	L	t ₁	t ₂		
mm	-	mm	-	mm						kg	-
19,05	25	152,00	B	20	60	120	50	10,87	30,33	5,39	PHS 12B-2B25
	26	158,04	B	20	80	120	50	10,87	30,33	5,74	PHS 12B-2B26
	27	164,09	B	20	60	120	50	10,87	30,33	6,09	PHS 12B-2B27
	28	170,13	B	20	80	120	50	10,87	30,33	6,45	PHS 12B-2B28
	30	182,25	B	20	60	120	50	10,87	30,33	7,17	PHS 12B-2B30
	32	194,36	B	20	85	120	50	10,87	30,33	8,41	PHS 12B-2B32
	35	212,52	B	20	85	120	50	10,87	30,33	9,70	PHS 12B-2B35
	36	218,58	B	25	85	120	50	10,87	30,33	10,12	PHS 12B-2B36
	38	230,69	B	25	65	120	50	10,87	30,33	10,98	PHS 12B-2B38
	40	242,81	B	25	85	120	50	10,87	30,33	11,84	PHS 12B-2B40
	45	273,10	B	25	65	136	62	10,87	30,33	10,58	PHS 12B-2B45
	48	291,27	B	25	85	136	62	10,87	30,33	15,26	PHS 12B-2B48
	57	345,81	B	25	70	136	62	10,87	30,33	11,72	PHS 12B-2B57
	60	363,99	B	25	85	136	62	10,87	30,33	20,40	PHS 12B-2B60
	68	412,49	C	25	85	140	63	10,87	30,33	23,83	PHS 12B-2C68
	76	460,99	C	25	80	140	63	10,87	30,33	18,50	PHS 12B-2C76
	80	485,22	C	25	85	140	63	10,87	30,33	28,97	PHS 12B-2C80
	95	576,17	C	25	93	140	63	10,87	30,33	35,39	PHS 12B-2C95
	96	582,23	C	25	93	140	63	10,87	30,33	35,82	PHS 12B-2C96
	114	691,36	C	25	93	140	63	10,87	30,33	43,53	PHS 12B-2C114
25,40	11	90,14	B	20	42	64	70	15,83	47,71	1,86	PHS 16B-2B11
	12	98,14	B	20	45	72	70	15,83	47,71	2,54	PHS 16B-2B12
	13	106,12	B	20	48	80	70	15,83	47,71	3,22	PHS 16B-2B13
	14	114,15	B	20	53	88	70	15,83	47,71	3,90	PHS 16B-2B14
	15	122,17	B	20	58	96	70	15,83	47,71	4,58	PHS 16B-2B15
	16	130,20	B	20	66	104	70	15,83	47,71	5,35	PHS 16B-2B16
	17	138,22	B	20	70	112	70	15,83	47,71	6,12	PHS 16B-2B17
	18	146,28	B	20	80	120	70	15,83	47,71	7,02	PHS 16B-2B18
	19	154,33	B	20	70	128	70	15,83	47,71	7,91	PHS 16B-2B19
	20	162,38	B	20	85	130	70	15,83	47,71	8,59	PHS 16B-2B20
	21	170,43	B	25	75	130	70	15,83	47,71	9,26	PHS 16B-2B21
	22	178,48	B	25	85	130	70	15,83	47,71	10,05	PHS 16B-2B22
	23	186,53	B	25	75	130	70	15,83	47,71	10,84	PHS 16B-2B23
	24	194,59	B	25	85	130	70	15,83	47,71	11,70	PHS 16B-2B24
	25	202,66	B	25	75	130	70	15,83	47,71	12,56	PHS 16B-2B25
	26	210,72	B	25	85	130	70	15,83	47,71	13,52	PHS 16B-2B26
	27	218,79	B	25	75	130	70	15,83	47,71	14,48	PHS 16B-2B27
	28	226,85	B	25	85	130	70	15,83	47,71	15,49	PHS 16B-2B28
	29	234,92	B	25	85	130	70	15,83	47,71	16,51	PHS 16B-2B29
	30	243,00	B	25	75	130	70	15,83	47,71	17,52	PHS 16B-2B30
	32	259,13	B	25	95	140	70	15,83	47,71	20,13	PHS 16B-2B32
	35	283,36	B	25	95	140	70	15,83	47,71	24,04	PHS 16B-2B35
	36	291,44	B	25	95	140	70	15,83	47,71	25,34	PHS 16B-2B36
	38	307,59	B	25	75	140	70	15,83	47,71	27,95	PHS 16B-2B38
	42	339,90	B	25	95	140	70	15,83	47,71	32,35	PHS 16B-2B42
	45	364,13	C	25	85	140	70	15,83	47,71	22,00	PHS 16B-2C45
	57	461,07	C	25	85	150	85	15,83	47,71	34,50	PHS 16B-2C57
	60	485,32	C	25	95	150	85	15,83	47,71	52,14	PHS 16B-2C60
	68	549,98	C	25	96	160	90	15,83	47,71	60,93	PHS 16B-2C68
	76	614,65	C	25	100	160	90	15,83	47,71	51,50	PHS 16B-2C76
	80	646,96	C	25	102	160	90	15,83	47,71	74,13	PHS 16B-2C80
	95	768,22	C	25	100	160	90	15,83	47,71	90,62	PHS 16B-2C95
	114	921,81	C	25	102	160	90	15,83	47,71	111,51	PHS 16B-2C114

Maximum bores can accommodate standard keyways. Larger bores are available.
For sprockets with hardened teeth, add "H" before the number of teeth, e.g. PHS 06B-2BH12.

Metric sprockets, duplex, standard

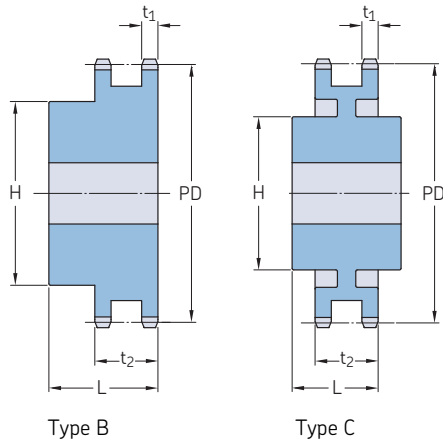
ISO 20B-2 · 31,75 mm pitch | ISO 24B-2 · 38,10 mm pitch | ISO 28B-2 · 44,45 mm pitch

Pitch	Number of teeth	Pitch diameter PD	Type	Dimensions		Hub		Plate thickness		Mass	Designation	
				Bore		H	L	t ₁	t ₂			
				Min.	Max.							
mm	-	mm	-	mm	mm	mm	mm	mm	mm	kg	-	
31,75	10	102,75	B	20	45	70	75	18,19	54,64	2,90	PHS 20B-2B10	
	11	112,70	B	20	52	80	80	18,19	54,64	3,67	PHS 20B-2B11	
	12	122,67	B	20	60	90	80	18,19	54,64	4,31	PHS 20B-2B12	
	13	132,67	B	20	64	100	80	18,19	54,64	5,53	PHS 20B-2B13	
	14	142,68	B	20	73	110	80	18,19	54,64	6,62	PHS 20B-2B14	
	15	152,71	B	20	80	120	80	18,19	54,64	7,76	PHS 20B-2B15	
	16	162,75	B	25	80	120	80	18,19	54,64	9,12	PHS 20B-2B16	
	17	172,79	B	25	80	120	80	18,19	54,64	10,44	PHS 20B-2B17	
	18	182,84	B	25	80	120	80	18,19	54,64	11,71	PHS 20B-2B18	
	19	192,90	B	25	80	120	80	18,19	54,64	12,92	PHS 20B-2B19	
	20	202,96	B	25	80	120	80	18,19	54,64	15,43	PHS 20B-2B20	
	21	213,03	B	25	92	140	80	18,19	54,64	16,55	PHS 20B-2B21	
	22	223,10	B	25	92	140	80	18,19	54,64	17,70	PHS 20B-2B22	
	23	233,17	B	25	92	140	80	18,19	54,64	19,05	PHS 20B-2B23	
	24	243,25	B	25	96	140	80	18,19	54,64	20,43	PHS 20B-2B24	
	25	253,32	B	25	96	140	80	18,19	54,64	21,77	PHS 20B-2B25	
	26	263,41	B	25	96	150	80	18,19	54,64	23,15	PHS 20B-2B26	
	27	273,49	B	25	96	150	80	18,19	54,64	24,97	PHS 20B-2B27	
	28	283,57	B	25	96	150	80	18,19	54,64	26,78	PHS 20B-2B28	
	30	303,75	B	25	96	150	80	18,19	54,64	30,41	PHS 20B-2B30	
	32	323,92	B	25	96	150	80	18,19	54,64	32,22	PHS 20B-2B32	
	35	354,20	C	25	100	150	80	18,19	54,64	34,02	PHS 20B-2C35	
	36	364,29	C	30	100	150	80	18,19	54,64	34,70	PHS 20B-2C36	
	38	384,48	C	30	100	150	80	18,19	54,64	43,72	PHS 20B-2C38	
	42	424,86	C	30	100	160	90	18,19	54,64	43,55	PHS 20B-2C42	
	45	455,15	C	30	100	160	90	18,19	54,64	46,72	PHS 20B-2C45	
	57	576,35	C	30	100	160	100	18,19	54,64	64,10	PHS 20B-2C57	
	60	606,66	C	30	125	160	100	18,19	54,64	79,38	PHS 20B-2C60	
	68	687,48	C	30	125	180	100	18,19	54,64	87,74	PHS 20B-2C68	
	76	768,30	C	30	125	180	100	18,19	54,64	96,11	PHS 20B-2C76	
	80	808,71	C	30	125	180	100	18,19	54,64	100,30	PHS 20B-2C80	
	95	960,28	C	30	125	180	100	18,19	54,64	115,98	PHS 20B-2C95	
	114	1 152,26	C	30	125	180	100	18,19	54,64	135,85	PHS 20B-2C114	
	38,10	11	135,23	B	25	60	90	100	23,62	71,98	6,50	PHS 24B-2B11
		12	147,21	B	25	67	102	100	23,62	71,98	8,13	PHS 24B-2B12
		13	159,20	B	25	76	114	100	23,62	71,98	9,92	PHS 24B-2B13
		14	171,22	B	25	84	128	100	23,62	71,98	11,98	PHS 24B-2B14
		15	183,25	B	25	93	132	100	23,62	71,98	14,13	PHS 24B-2B15
		16	195,29	B	25	100	136	100	23,62	71,98	16,35	PHS 24B-2B16
		17	207,35	B	25	100	136	100	23,62	71,98	17,85	PHS 24B-2B17
		18	219,41	B	25	108	150	100	23,62	71,98	20,35	PHS 24B-2B18
		19	231,48	B	25	108	160	100	23,62	71,98	22,56	PHS 24B-2B19
		20	243,55	B	25	108	160	100	23,62	71,98	24,78	PHS 24B-2B20
		21	255,63	B	25	108	160	100	23,62	71,98	26,99	PHS 24B-2B21
		22	267,72	B	25	108	160	100	23,62	71,98	29,74	PHS 24B-2B22
		23	279,80	B	25	108	160	100	23,62	71,98	32,87	PHS 24B-2B23
		24	291,90	B	25	108	160	100	23,62	71,98	36,00	PHS 24B-2B24
		25	303,99	B	25	108	160	100	23,62	71,98	39,13	PHS 24B-2B25
		26	316,09	B	30	108	160	100	23,62	71,98	42,26	PHS 24B-2B26
		27	328,19	B	30	108	160	100	23,62	71,98	45,40	PHS 24B-2B27
		28	340,29	B	30	108	160	100	23,62	71,98	48,53	PHS 24B-2B28
		29	352,39	B	30	108	160	100	23,62	71,98	51,66	PHS 24B-2B29
30		364,49	B	30	108	160	100	23,62	71,98	54,79	PHS 24B-2B30	
32		388,71	B	30	108	160	100	23,62	71,98	61,05	PHS 24B-2B32	
38		461,37	B	30	137	160	100	23,62	71,98	72,01	PHS 24B-2B38	
40		485,60	C	30	137	160	100	23,62	71,98	75,80	PHS 24B-2C40	
42		509,83	C	30	137	180	100	23,62	71,98	79,59	PHS 24B-2C42	
45		546,19	C	30	137	180	100	23,62	71,98	85,28	PHS 24B-2C45	
48		582,54	C	30	137	180	100	23,62	71,98	90,97	PHS 24B-2C48	
50		606,78	C	30	137	180	100	23,62	71,98	94,76	PHS 24B-2C50	
54		655,26	C	30	161	180	110	23,62	71,98	127,46	PHS 24B-2C54	
57		691,62	C	30	161	180	110	23,62	71,98	140,74	PHS 24B-2C57	
60		727,99	C	30	161	180	120	23,62	71,98	154,02	PHS 24B-2C60	
68		824,97	C	30	161	200	120	23,62	71,98	189,45	PHS 24B-2C68	
72		873,46	C	30	161	200	120	23,62	71,98	207,16	PHS 24B-2C72	
76		921,96	C	30	161	200	120	23,62	71,98	224,87	PHS 24B-2C76	
95		1 152,33	C	30	161	200	120	23,62	71,98	309,00	PHS 24B-2C95	
96		1 164,46	C	30	161	200	120	23,62	71,98	313,43	PHS 24B-2C96	
114		1 382,72	C	30	161	200	120	23,62	71,98	393,13	PHS 24B-2C114	
44,45		11	157,77	B	25	73	112	120	29,36	88,90	10,21	PHS 28B-2B11
		12	171,74	B	25	84	125	120	29,36	88,90	13,02	PHS 28B-2B12
		13	185,75	B	25	84	125	120	29,36	88,90	16,00	PHS 28B-2B13
		14	199,76	B	25	87	125	120	29,36	88,90	19,28	PHS 28B-2B14

Maximum bores can accommodate standard keyways. Larger bores are available.
For sprockets with hardened teeth, add "H" before the number of teeth, e.g. PHS 06B-2BH12.

Metric sprockets, duplex, standard

ISO 28B-2 · 44,45 mm pitch | ISO 32B-2 · 50,80 mm pitch

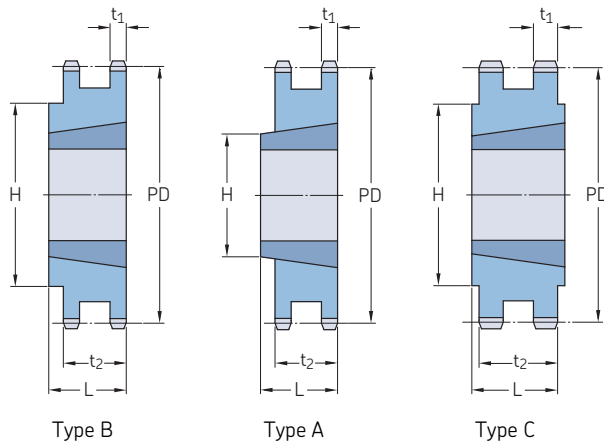


Pitch	Number of teeth	Pitch diameter PD	Type	Dimensions Bore		Hub		Plate thickness		Mass	Designation	
				Min.	Max.	H	L	t ₁	t ₂			
mm	-	mm	-	mm						kg	-	
44,45	15	213,79	B	25	96	145	120	29,36	88,90	22,91	PHS 28B-2B15	
	16	227,84	B	30	108	160	120	29,36	88,90	26,92	PHS 28B-2B16	
	17	241,91	B	30	114	160	120	29,36	88,90	30,83	PHS 28B-2B17	
	18	255,98	B	30	114	160	120	29,36	88,90	34,74	PHS 28B-2B18	
	19	270,06	B	30	133	180	120	29,36	88,90	38,93	PHS 28B-2B19	
	20	284,15	B	30	133	180	120	29,36	88,90	44,27	PHS 28B-2B20	
	21	298,24	B	30	133	180	120	29,36	88,90	45,08	PHS 28B-2B21	
	22	312,34	B	30	133	180	120	29,36	88,90	48,15	PHS 28B-2B22	
	23	326,44	B	30	133	180	120	29,36	88,90	51,59	PHS 28B-2B23	
	24	340,55	B	30	133	180	120	29,36	88,90	55,03	PHS 28B-2B24	
	25	354,66	B	30	133	180	120	29,36	88,90	58,47	PHS 28B-2B25	
	26	368,77	B	30	133	180	120	29,36	88,90	64,06	PHS 28B-2B26	
	28	397,00	B	30	133	180	120	29,36	88,90	76,05	PHS 28B-2B28	
	30	425,24	B	30	133	180	120	29,36	88,90	89,16	PHS 28B-2B30	
	32	453,49	B	30	133	180	120	29,36	88,90	103,38	PHS 28B-2B32	
	38	538,27	B	30	133	200	120	29,36	88,90	97,53	PHS 28B-2B38	
	40	566,54	C	30	137	200	120	29,36	88,90	109,47	PHS 28B-2C40	
	45	637,22	C	30	137	200	120	29,36	88,90	137,32	PHS 28B-2C45	
	48	679,63	C	30	137	200	120	29,36	88,90	153,61	PHS 28B-2C48	
	54	764,46	C	30	162	200	120	29,36	88,90	204,44	PHS 28B-2C54	
	57	806,90	C	30	162	200	120	29,36	88,90	210,02	PHS 28B-2C57	
	60	849,32	C	30	162	200	130	29,36	88,90	230,82	PHS 28B-2C60	
	68	962,46	C	30	162	200	130	29,36	88,90	273,98	PHS 28B-2C68	
	72	1 019,05	C	30	162	200	130	29,36	88,90	305,70	PHS 28B-2C72	
	76	1 075,62	C	30	162	200	130	29,36	88,90	323,56	PHS 28B-2C76	
	50,80	11	180,34	B	30	80	120	120	28,83	87,38	10,42	PHS 32B-2B11
		12	196,29	B	30	89	133	120	28,83	87,38	16,32	PHS 32B-2B12
		13	212,29	B	30	96	145	120	28,83	87,38	21,77	PHS 32B-2B13
		14	228,29	B	30	103	145	120	28,83	87,38	26,31	PHS 32B-2B14
		15	244,30	B	30	106	160	120	28,83	87,38	30,84	PHS 32B-2B15
		16	260,40	B	30	120	160	120	28,83	87,38	34,02	PHS 32B-2B16
		17	276,40	B	30	120	180	120	28,83	87,38	41,28	PHS 32B-2B17
18		292,55	B	30	120	180	120	28,83	87,38	43,55	PHS 32B-2B18	
19		308,66	B	30	120	200	120	28,83	87,38	48,53	PHS 32B-2B19	
20		324,71	B	30	130	200	120	28,83	87,38	53,98	PHS 32B-2B20	
21		340,82	B	30	130	200	120	28,83	87,38	58,97	PHS 32B-2B21	
22		356,98	B	30	130	200	120	28,83	87,38	63,96	PHS 32B-2B22	
23		373,08	B	30	130	200	120	28,83	87,38	71,21	PHS 32B-2B23	
24		389,18	B	30	130	200	120	28,83	87,38	77,57	PHS 32B-2B24	
25		405,33	B	30	130	200	120	28,83	87,38	84,82	PHS 32B-2B25	
26		421,44	B	30	130	200	120	28,83	87,38	91,17	PHS 32B-2B26	
28		453,69	B	30	130	200	120	28,83	87,38	101,13	PHS 32B-2B28	
30		486,00	B	30	130	200	120	28,83	87,38	116,57	PHS 32B-2B30	
38		615,14	B	30	178	200	120	28,83	87,38	170,25	PHS 32B-2B38	
40		647,49	C	30	178	200	120	28,83	87,38	177,46	PHS 32B-2C40	
45		728,26	C	30	178	200	120	28,83	87,38	195,50	PHS 32B-2C45	
48		776,72	C	30	178	200	120	28,83	87,38	204,51	PHS 32B-2C48	
54		873,68	C	30	178	220	120	28,83	87,38	222,53	PHS 32B-2C54	
57		922,16	C	30	178	220	120	28,83	87,38	231,54	PHS 32B-2C57	
68		1 099,96	C	30	178	220	130	28,83	87,38	255,83	PHS 32B-2C68	
76		1 229,28	C	30	178	220	130	28,83	87,38	292,83	PHS 32B-2C76	

Maximum bores can accommodate standard keyways. Larger bores are available.
For sprockets with hardened teeth, add "H" before the number of teeth, e.g. PHS 06B-2BH12.

Metric sprockets, duplex, taper bushed

ISO 06B-2 · 9,525 mm pitch | ISO 08B-2 · 12,70 mm pitch

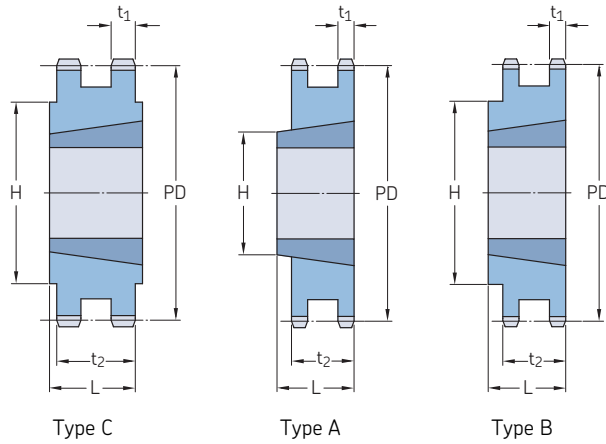


Pitch	Number of teeth	Pitch diameter PD	Type	Bushing number	Dimensions				Plate thickness		Mass Rim	Bushing	Designation	
					Bore	Min.	Max.	L	H	t ₁				t ₂
mm	-	mm	-	-	mm	mm	mm	mm	mm	mm	kg	-	-	
9,525	16	48,82	B	1108	9	25,4	22,0	41	5,20	15,44	0,06	0,12	PHS 06B-2TB16	
	17	51,83	B	1008	9	25,4	22,0	41	5,20	15,44	0,12	0,09	PHS 06B-2TB17	
	18	54,85	B	1008	9	25,4	22,0	45	5,20	15,44	0,18	0,09	PHS 06B-2TB18	
	19	57,87	B	1008	9	25,4	22,0	46	5,20	15,44	0,20	0,09	PHS 06B-2TB19	
	20	60,89	B	1008	9	25,4	22,0	48	5,20	15,44	0,24	0,09	PHS 06B-2TB20	
	21	63,91	B	1008	9	25,4	22,0	49	5,20	15,44	0,29	0,09	PHS 06B-2TB21	
	22	66,93	B	1108	9	25,4	22,0	52	5,20	15,44	0,30	0,12	PHS 06B-2TB22	
	23	69,95	B	1210	11	31,8	25,0	59	5,20	15,44	0,26	0,21	PHS 06B-2TB23	
	24	72,97	B	1210	11	31,8	25,0	63	5,20	15,44	0,34	0,21	PHS 06B-2TB24	
	25	76,00	B	1210	11	31,8	25,0	64	5,20	15,44	0,41	0,21	PHS 06B-2TB25	
	26	79,02	B	1210	11	31,8	25,0	65	5,20	15,44	0,45	0,21	PHS 06B-2TB26	
	27	82,05	B	1210	11	31,8	25,0	70	5,20	15,44	0,50	0,21	PHS 06B-2TB27	
	28	85,07	B	1210	11	31,8	25,0	70	5,20	15,44	0,54	0,21	PHS 06B-2TB28	
	29	88,09	B	1210	11	31,8	25,0	70	5,20	15,44	0,51	0,21	PHS 06B-2TB29	
	30	91,12	B	1210	11	31,8	25,0	75	5,20	15,44	0,61	0,21	PHS 06B-2TB30	
	32	97,17	B	1610	14	41,3	25,0	80	5,20	15,44	0,75	0,31	PHS 06B-2TB32	
	35	106,26	B	1610	14	41,3	25,0	80	5,20	15,44	0,95	0,31	PHS 06B-2TB35	
	38	115,35	B	1610	14	41,3	25,0	80	5,20	15,44	1,16	0,31	PHS 06B-2TB38	
	40	121,40	B	1610	14	41,3	25,0	80	5,20	15,44	1,30	0,31	PHS 06B-2TB40	
	45	136,55	B	1610	14	41,3	25,0	80	5,20	15,44	1,64	0,31	PHS 06B-2TB45	
	48	145,64	B	1610	14	41,3	25,0	80	5,20	15,44	1,85	0,31	PHS 06B-2TB48	
	54	163,82	B	1610	14	41,3	25,0	80	5,20	15,44	2,26	0,31	PHS 06B-2TB54	
	57	172,91	B	1610	14	41,3	25,0	80	5,20	15,44	1,75	0,31	PHS 06B-2TB57	
	60	182,00	B	1610	14	41,3	25,0	80	5,20	15,44	2,67	0,31	PHS 06B-2TB60	
	70	212,30	B	1610	14	41,3	25,0	80	5,20	15,44	3,36	0,31	PHS 06B-2TB70	
	76	230,49	B	1610	14	41,3	25,0	80	5,20	15,44	3,19	0,31	PHS 06B-2TB76	
	95	288,08	B	1610	14	41,3	25,0	90	5,20	15,44	5,08	0,31	PHS 06B-2TB95	
	114	345,68	B	1615	14	50,8	38,0	95	5,20	15,44	6,39	0,59	PHS 06B-2TB114	
	12,70	15	61,09	A	1008	9	25,4	22,0	46	7,24	21,13	0,23	0,09	PHS 08B-2TB15
		16	65,10	A	1108	9	28,0	22,0	50	7,24	21,13	0,25	0,12	PHS 08B-2TB16
17		69,11	A	1210	11	31,8	25,0	56	7,24	21,13	0,26	0,21	PHS 08B-2TB17	
18		73,14	B	1210	11	31,8	25,0	60	7,24	21,13	0,31	0,21	PHS 08B-2TB18	
19		77,16	B	1210	11	31,8	25,0	62	7,24	21,13	0,43	0,21	PHS 08B-2TB19	
20		81,19	B	1610	14	41,3	25,0	68	7,24	21,13	0,45	0,31	PHS 08B-2TB20	
21		85,22	B	1610	14	41,3	25,0	70	7,24	21,13	0,48	0,31	PHS 08B-2TB21	
22		89,24	B	1610	14	41,3	25,0	76	7,24	21,13	0,54	0,31	PHS 08B-2TB22	
23		93,27	B	1610	14	41,3	25,0	79	7,24	21,13	0,66	0,31	PHS 08B-2TB23	
24		97,29	B	1610	14	50,8	32,0	84	7,24	21,13	0,60	0,59	PHS 08B-2TB24	
25		101,33	B	2012	14	50,8	32,0	87	7,24	21,13	0,74	0,59	PHS 08B-2TB25	
26		105,36	B	2012	14	50,8	32,0	87	7,24	21,13	0,81	0,59	PHS 08B-2TB26	
27		109,40	B	2012	14	50,8	32,0	87	7,24	21,13	0,92	0,59	PHS 08B-2TB27	
28		113,42	B	2012	14	50,8	32,0	87	7,24	21,13	1,03	0,59	PHS 08B-2TB28	
29		117,46	B	2012	14	50,8	32,0	87	7,24	21,13	1,16	0,59	PHS 08B-2TB29	
30		121,50	B	2012	14	50,8	32,0	87	7,24	21,13	1,25	0,59	PHS 08B-2TB30	
35		141,68	B	2012	14	50,8	32,0	100	7,24	21,13	1,65	0,59	PHS 08B-2TB35	
36		145,72	B	2012	14	50,8	32,0	100	7,24	21,13	2,05	0,59	PHS 08B-2TB36	
38		153,80	B	2012	14	50,8	32,0	100	7,24	21,13	2,53	0,59	PHS 08B-2TB38	
42		169,94	C	2517	16	63,5	32,0	100	7,24	21,13	3,13	1,30	PHS 08B-2TB42	
45		182,07	C	2012	14	50,8	32,0	100	7,24	21,13	3,73	0,59	PHS 08B-2TB45	
48		194,18	C	2517	16	63,5	32,0	100	7,24	21,13	3,94	1,30	PHS 08B-2TB48	
54		218,42	C	2517	16	63,5	32,0	100	7,24	21,13	3,85	1,30	PHS 08B-2TB54	
57		230,53	C	2012	14	50,8	32,0	100	7,24	21,13	4,07	0,59	PHS 08B-2TB57	
60		242,66	C	2517	16	63,5	32,0	100	7,24	21,13	4,20	1,30	PHS 08B-2TB60	

For sprockets with hardened teeth, add "H" before the number of teeth, e.g. PHS 06B-2TBH16.

Metric sprockets, duplex, taper bushed

ISO 08B-2 · 12,70 mm pitch | ISO 10B-2 · 15,88 mm pitch | ISO 12B-2 · 19,05 mm pitch



Pitch	Number of teeth	Pitch diameter PD	Type	Bushing number	Dimensions Bore				Plate thickness		Mass Rim	Bushing	Designation	
					Min.	Max.	L	H	t ₁	t ₂				
mm	-	mm	-	-	mm						kg	-		
12,70	68	274,99	C	2517	16	63,5	32,0	100	7,24	21,13	4,33	1,30	PHS 08B-2TB68	
	70	283,07	C	2517	16	63,5	32,0	100	7,24	21,13	4,46	1,30	PHS 08B-2TB70	
	72	291,15	C	2517	16	63,5	32,0	100	7,24	21,13	4,59	1,30	PHS 08B-2TB72	
	76	307,31	C	2012	14	50,8	32,0	100	7,24	21,13	4,72	0,59	PHS 08B-2TB76	
	84	339,65	C	2517	16	63,5	32,0	100	7,24	21,13	6,45	1,30	PHS 08B-2TB84	
	95	384,10	C	2012	14	50,8	32,0	100	7,24	21,13	8,18	0,59	PHS 08B-2TB95	
	96	388,15	C	2517	16	63,5	32,0	110	7,24	21,13	9,00	1,30	PHS 08B-2TB96	
	114	460,90	C	2517	16	63,5	45,0	110	7,24	21,13	10,50	1,30	PHS 08B-2TB114	
	15,88	14	71,34	A	1008	9	25,4	25,5	-	8,97	25,22	0,43	0,09	PHS 10B-2TB14
		15	76,36	A	1210	11	31,8	25,5	-	8,97	25,22	0,39	0,21	PHS 10B-2TB15
16		81,37	A	1610	14	41,3	25,5	-	8,97	25,22	0,35	0,31	PHS 10B-2TB16	
17		86,39	A	1610	14	41,3	25,5	-	8,97	25,22	0,46	0,31	PHS 10B-2TB17	
18		91,42	A	1610	14	41,3	25,5	-	8,97	25,22	0,62	0,31	PHS 10B-2TB18	
19		96,45	A	1610	14	41,3	25,5	-	8,97	25,22	0,75	0,31	PHS 10B-2TB19	
20		101,49	B	1610	14	41,3	25,5	-	8,97	25,55	0,87	0,31	PHS 10B-2TB20	
21		106,52	B	1610	14	41,3	25,5	-	8,97	25,55	1,05	0,31	PHS 10B-2TB21	
22		111,55	B	1610	14	41,3	25,5	-	8,97	25,55	1,20	0,31	PHS 10B-2TB22	
23		116,58	B	1610	14	41,3	25,5	-	8,97	25,55	1,38	0,31	PHS 10B-2TB23	
24		121,62	B	2012	14	50,8	32,0	90	8,97	25,55	1,43	0,59	PHS 10B-2TB24	
25		126,66	B	2012	14	50,8	32,0	90	8,97	25,55	1,62	0,59	PHS 10B-2TB25	
26		131,70	B	2012	14	50,8	32,0	90	8,97	25,55	1,79	0,59	PHS 10B-2TB26	
27		136,75	B	2012	14	50,8	32,0	90	8,97	25,55	2,00	0,59	PHS 10B-2TB27	
28		141,78	B	2012	14	50,8	32,0	90	8,97	25,55	2,20	0,59	PHS 10B-2TB28	
29		146,83	B	2012	14	50,8	32,0	90	8,97	25,55	2,43	0,59	PHS 10B-2TB29	
30		151,87	B	2012	14	50,8	32,0	90	8,97	25,55	2,66	0,59	PHS 10B-2TB30	
36		182,15	C	2517	16	63,5	45,0	110	8,97	25,55	4,33	1,30	PHS 10B-2TB36	
38		192,24	C	2517	14	50,8	45,0	110	8,97	25,55	4,88	0,59	PHS 10B-2TB38	
42		212,44	C	2517	16	63,5	45,0	110	8,97	25,55	5,99	1,30	PHS 10B-2TB42	
45		227,58	C	2517	16	63,5	45,0	110	8,97	25,55	6,83	1,30	PHS 10B-2TB45	
48		242,73	C	2517	16	63,5	45,0	110	8,97	25,55	7,66	1,30	PHS 10B-2TB48	
57		288,18	C	2517	16	63,5	45,0	110	8,97	25,55	10,15	1,30	PHS 10B-2TB57	
60		303,32	C	2517	16	63,5	45,0	110	8,97	25,55	10,99	1,30	PHS 10B-2TB60	
68		343,74	C	2517	16	63,5	45,0	110	8,97	25,55	13,21	1,30	PHS 10B-2TB68	
76		384,16	C	2517	16	63,5	45,0	110	8,97	25,55	15,43	1,30	PHS 10B-2TB76	
84		424,57	C	2517	16	63,5	45,0	110	8,97	25,55	17,65	1,30	PHS 10B-2TB84	
95		480,14	C	2517	16	63,5	45,0	110	8,97	25,55	20,70	1,30	PHS 10B-2TB95	
114		576,13	C	2517	16	63,5	45,0	110	8,97	25,55	25,97	1,30	PHS 10B-2TB114	
19,05		12	73,61	A	1215	11	31,8	30,3	-	10,87	30,33	0,19	0,30	PHS 12B-2TB12
	13	79,59	A	1215	14	41,3	30,3	-	10,87	30,33	0,36	0,30	PHS 12B-2TB13	
	14	85,61	A	1215	14	41,3	30,3	-	10,87	30,33	0,53	0,30	PHS 12B-2TB14	
	15	91,63	A	1610	14	41,3	30,3	-	10,87	30,33	0,70	0,31	PHS 12B-2TB15	
	16	97,65	A	1610	14	41,3	30,3	-	10,87	30,33	0,87	0,31	PHS 12B-2TB16	
	17	103,67	A	1610	14	41,3	30,3	-	10,87	30,33	1,10	0,31	PHS 12B-2TB17	
	18	109,71	B	2012	14	50,8	31,8	90	10,87	30,33	1,05	0,59	PHS 12B-2TB18	
	19	115,75	B	2012	14	50,8	32,0	90	10,87	30,33	1,29	0,59	PHS 12B-2TB19	
	20	121,78	B	2517	16	63,5	45,0	102	10,87	30,33	1,34	1,30	PHS 12B-2TB20	
	21	127,82	B	2517	16	63,5	45,0	108	10,87	30,33	1,71	1,30	PHS 12B-2TB21	
	22	133,86	B	2517	16	63,5	45,0	108	10,87	30,33	2,03	1,30	PHS 12B-2TB22	
	23	139,90	B	2517	16	63,5	45,0	108	10,87	30,33	2,51	1,30	PHS 12B-2TB23	
	24	145,94	B	2517	16	63,5	45,0	108	10,87	30,33	2,58	1,30	PHS 12B-2TB24	
	25	152,00	B	2517	16	63,5	45,0	108	10,87	30,33	3,38	1,30	PHS 12B-2TB25	
	26	158,04	B	2517	16	63,5	45,0	108	10,87	30,33	3,24	1,30	PHS 12B-2TB26	
	27	164,09	B	2517	16	63,5	45,0	108	10,87	30,33	4,00	1,30	PHS 12B-2TB27	

For sprockets with hardened teeth, add "H" before the number of teeth, e.g. PHS 06B-2TBH16.

Metric sprockets, duplex, taper bushed

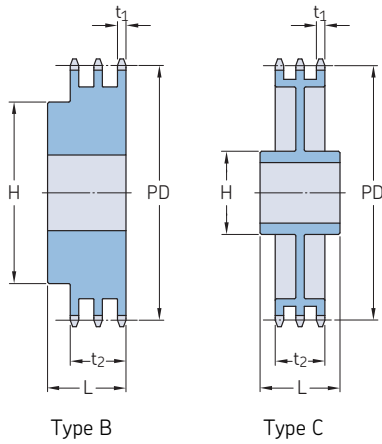
ISO 12B-2 · 19,05 mm pitch | ISO 16B-2 · 25,40 mm pitch

Pitch	Number of teeth	Pitch diameter	Type	Bushing number	Dimensions				Plate thickness		Mass Rim	Bushing	Designation
					Bore		L	H	t ₁	t ₂			
					Min.	Max.							
mm	–	mm	–	–	mm	mm	mm	mm	mm	kg	–	–	
19,05	28	170,13	B	2517	16	63,5	45,0	108	10,87	30,33	3,92	1,30	PHS 12B-2TB28
	30	182,25	B	2517	16	63,5	45,0	108	10,87	30,33	5,14	1,30	PHS 12B-2TB30
	32	194,36	B	2517	16	63,5	44,5	130	10,87	30,33	5,92	1,30	PHS 12B-2TB32
	35	212,52	B	2517	16	63,5	44,5	130	10,87	30,33	7,08	1,30	PHS 12B-2TB35
	38	230,69	B	3020	25	76,2	51,0	140	10,87	30,33	6,95	2,24	PHS 12B-2TB38
	40	242,81	C	3020	25	76,2	51,0	140	10,87	30,33	9,03	2,24	PHS 12B-2TB40
	42	254,93	C	3020	25	76,2	51,0	140	10,87	30,33	9,81	2,24	PHS 12B-2TB42
	45	273,10	C	3020	25	76,2	51,0	140	10,87	30,33	9,33	2,24	PHS 12B-2TB45
	54	327,64	C	3020	25	76,2	51,0	140	10,87	30,33	14,47	2,24	PHS 12B-2TB54
	57	345,81	C	3020	25	76,2	51,0	140	10,87	30,33	10,50	2,24	PHS 12B-2TB57
	60	363,99	C	3020	25	76,2	51,0	140	10,87	30,33	16,80	2,24	PHS 12B-2TB60
	65	394,29	C	3020	25	76,2	51,0	140	10,87	30,33	18,75	2,24	PHS 12B-2TB65
	70	424,60	C	3020	25	76,2	51,0	140	10,87	30,33	20,69	2,24	PHS 12B-2TB70
	76	460,99	C	3020	25	76,2	51,0	140	10,87	30,33	17,06	2,24	PHS 12B-2TB76
84	509,48	C	3020	25	76,2	51,0	140	10,87	30,33	26,13	2,24	PHS 12B-2TB84	
95	576,17	C	3020	25	76,2	51,0	140	10,87	30,33	28,50	2,24	PHS 12B-2TB95	
114	691,36	C	3020	25	76,2	76,0	140	10,87	30,33	37,80	2,24	PHS 12B-2TB114	
25,40	13	106,12	A	1615	14	42,0	47,7	–	15,83	47,71	0,51	0,59	PHS 16B-2TB13
	14	114,15	A	2012	14	50,8	47,7	–	15,83	47,71	1,01	0,59	PHS 16B-2TB14
	15	122,17	A	2012	14	50,8	47,7	–	15,83	47,71	2,12	0,59	PHS 16B-2TB15
	16	130,20	A	2517	16	63,5	47,7	–	15,83	47,71	2,01	1,30	PHS 16B-2TB16
	17	138,22	A	2517	16	63,5	47,7	–	15,83	47,71	2,51	1,30	PHS 16B-2TB17
	18	146,28	A	2517	16	63,5	47,7	–	15,83	47,71	3,13	1,30	PHS 16B-2TB18
	19	154,33	A	2517	16	63,5	47,7	–	15,83	47,71	3,76	1,30	PHS 16B-2TB19
	20	162,38	B	2517	16	63,5	47,7	140	15,83	47,71	4,43	1,30	PHS 16B-2TB20
	21	170,43	B	3020	25	76,2	51,0	140	15,83	47,71	4,13	2,24	PHS 16B-2TB21
	22	178,48	B	3020	25	76,2	51,0	140	15,83	47,71	4,95	2,24	PHS 16B-2TB22
	23	186,53	B	3020	25	76,2	51,0	140	15,83	47,71	5,80	2,24	PHS 16B-2TB23
	24	194,59	B	3020	25	76,2	51,0	140	15,83	47,71	6,68	2,24	PHS 16B-2TB24
	25	202,66	B	3020	25	76,2	51,0	140	15,83	47,71	7,65	2,24	PHS 16B-2TB25
	26	210,72	B	3020	25	76,2	51,0	140	15,83	47,71	8,50	2,24	PHS 16B-2TB26
	27	218,79	B	3020	25	76,2	51,0	140	15,83	47,71	9,47	2,24	PHS 16B-2TB27
	28	226,85	B	3020	25	76,2	51,0	140	15,83	47,71	10,46	2,24	PHS 16B-2TB28
	29	234,92	B	3020	25	76,2	51,0	140	15,83	47,71	11,48	2,24	PHS 16B-2TB29
	30	243,00	B	3020	25	76,2	51,0	140	15,83	47,71	12,50	3,04	PHS 16B-2TB30
	35	283,36	C	3030	35	76,2	76,0	140	15,83	47,71	16,36	3,04	PHS 16B-2TB35
	38	307,59	C	3030	25	63,5	51,0	140	15,83	47,71	13,48	3,04	PHS 16B-2TB38
	42	339,90	C	3030	35	76,2	76,0	140	15,83	47,71	22,52	2,24	PHS 16B-2TB42
	45	364,13	C	3030	35	76,2	76,0	140	15,83	47,71	18,30	3,04	PHS 16B-2TB45
57	461,07	C	3525	35	100,0	63,5	175	15,83	47,71	27,00	3,56	PHS 16B-2TB57	
76	614,65	C	3525	35	100,0	63,5	175	15,83	47,71	43,50	3,56	PHS 16B-2TB76	
95	768,22	C	4040	40	101,6	102,0	215	15,83	47,71	67,00	5,54	PHS 16B-2TB95	
114	921,81	C	4040	40	101,6	102,0	215	15,83	47,71	85,88	5,54	PHS 16B-2TB114	

For sprockets with hardened teeth, add "H" before the number of teeth, e.g. PHS 06B-2TBH16.

Metric sprockets, triplex, standard

ISO 06B-3 · 9,525 mm pitch | ISO 08B-3 · 12,70 mm pitch



Pitch	Number of teeth	Pitch diameter PD	Type	Dimensions Bore		Hub		Plate thickness		Mass	Designation
				Min.	Max.	H	L	t ₁	t ₂		
mm	-	mm	-	mm						kg	-
9,525	12	36,80	B	10	16	25	35	5,20	25,70	0,23	PHS 06B-3B12
	13	39,79	B	10	18	28	35	5,20	25,70	0,27	PHS 06B-3B13
	14	42,80	B	12	18	31	35	5,20	25,70	0,32	PHS 06B-3B14
	15	45,81	B	12	20	34	35	5,20	25,70	0,36	PHS 06B-3B15
	16	48,82	B	12	20	37	35	5,20	25,70	0,45	PHS 06B-3B16
	17	51,83	B	12	24	40	35	5,20	25,70	0,54	PHS 06B-3B17
	18	54,85	B	12	25	43	35	5,20	25,70	0,64	PHS 06B-3B18
	19	57,87	B	12	28	46	35	5,20	25,70	0,72	PHS 06B-3B19
	20	60,89	B	12	30	49	35	5,20	25,70	0,77	PHS 06B-3B20
	21	63,91	B	14	30	52	40	5,20	25,70	0,86	PHS 06B-3B21
	22	66,93	B	14	35	55	40	5,20	25,70	0,95	PHS 06B-3B22
	23	69,95	B	14	38	58	40	5,20	25,70	1,04	PHS 06B-3B23
	24	72,97	B	14	39	61	40	5,20	25,70	1,18	PHS 06B-3B24
	25	76,02	B	14	40	64	40	5,20	25,70	1,27	PHS 06B-3B25
	26	79,02	B	14	42	67	40	5,20	25,70	1,31	PHS 06B-3B26
	27	82,02	B	14	45	70	40	5,20	25,70	1,36	PHS 06B-3B27
	28	85,07	B	14	48	73	40	5,20	25,70	1,50	PHS 06B-3B28
	29	88,09	B	14	50	76	40	5,20	25,70	1,68	PHS 06B-3B29
	30	91,12	B	14	52	79	40	5,20	25,70	1,72	PHS 06B-3B30
	32	97,17	B	16	52	80	40	5,20	25,70	2,00	PHS 06B-3B32
	35	106,26	B	16	52	85	40	5,20	25,70	2,25	PHS 06B-3B35
	36	109,29	B	16	60	90	40	5,20	25,70	2,33	PHS 06B-3B36
	38	115,35	B	16	60	90	40	5,20	25,70	2,49	PHS 06B-3B38
	40	121,40	B	16	60	90	40	5,20	25,70	2,65	PHS 06B-3B40
	42	127,46	B	16	60	90	56	5,20	25,70	2,81	PHS 06B-3B42
	45	136,55	B	16	60	90	56	5,20	25,70	3,00	PHS 06B-3B45
	48	145,64	B	16	60	90	56	5,20	25,70	3,20	PHS 06B-3B48
	52	157,75	B	16	60	90	56	5,20	25,70	3,46	PHS 06B-3B52
	57	172,91	B	16	60	90	56	5,20	25,70	4,77	PHS 06B-3B57
	60	181,99	B	16	60	90	56	5,20	25,70	5,02	PHS 06B-3B60
	68	206,24	B	16	60	90	56	5,20	25,70	5,69	PHS 06B-3B68
	70	212,30	B	16	60	90	56	5,20	25,70	5,86	PHS 06B-3B70
72	218,37	B	16	60	90	56	5,20	25,70	6,02	PHS 06B-3B72	
76	230,49	B	16	64	90	56	5,20	25,70	8,48	PHS 06B-3B76	
84	254,74	B	16	64	90	56	5,20	25,70	9,37	PHS 06B-3B84	
95	288,08	B	16	64	90	56	5,20	25,70	13,61	PHS 06B-3B95	
96	291,11	B	16	64	90	56	5,20	25,70	13,75	PHS 06B-3B96	
114	345,69	B	16	64	90	56	5,20	25,70	17,48	PHS 06B-3B114	
12,70	11	45,07	B	14	22	32	50	7,24	35,05	0,32	PHS 08B-3B11
	12	49,07	B	14	24	35	50	7,24	35,05	0,45	PHS 08B-3B12
	13	53,06	B	14	25	38	50	7,24	35,05	0,59	PHS 08B-3B13
	14	57,07	B	14	28	42	50	7,24	35,05	0,72	PHS 08B-3B14
	15	61,09	B	14	31	46	50	7,24	35,05	0,81	PHS 08B-3B15
	16	65,10	B	16	35	50	50	7,24	35,05	0,90	PHS 08B-3B16
	17	69,11	B	16	36	54	50	7,24	35,05	1,04	PHS 08B-3B17
	18	73,14	B	16	38	58	50	7,24	35,05	1,22	PHS 08B-3B18
	19	77,16	B	16	40	62	50	7,24	35,05	1,41	PHS 08B-3B19
	20	81,19	B	16	40	66	50	7,24	35,05	1,58	PHS 08B-3B20
	21	85,22	B	16	45	70	55	7,24	35,05	1,81	PHS 08B-3B21
	22	89,24	B	16	45	70	55	7,24	35,05	2,03	PHS 08B-3B22
	23	93,27	B	16	45	70	55	7,24	35,05	2,27	PHS 08B-3B23
	24	97,29	B	16	50	75	55	7,24	35,05	2,44	PHS 08B-3B24
	25	101,33	B	16	52	80	55	7,24	35,05	2,54	PHS 08B-3B25

Maximum bores can accommodate standard keyways. Larger bores are available where a shallow keyway is used or no keyway is required. For sprockets with hardened teeth, add "H" before the number of teeth, e.g. PHS 06B-3BH12.

Metric sprockets, triplex, standard

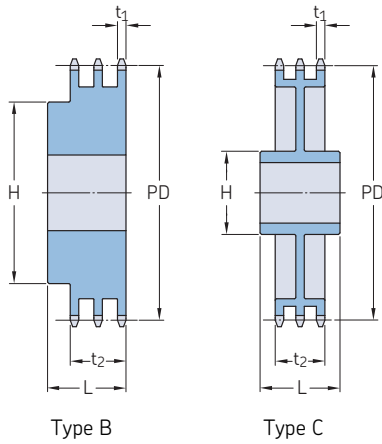
ISO 08B-3 · 12,70 mm pitch | ISO 10B-3 · 15,88 mm pitch | ISO 12B-3 · 19,05 mm pitch

Pitch	Number of teeth	Pitch diameter PD	Type	Dimensions		Hub		Plate thickness		Mass	Designation	
				Bore		H	L	t ₁	t ₂			
				Min.	Max.							
mm	-	mm	-	mm	mm	mm	mm	mm	mm	kg	-	
12,70	26	105,36	B	20	56	85	55	7,24	35,05	2,85	PHS 08B-3B26	
	27	109,40	B	20	56	85	55	7,24	35,05	2,85	PHS 08B-3B27	
	28	113,42	B	20	60	90	55	7,24	35,05	3,16	PHS 08B-3B28	
	29	117,46	B	20	62	95	55	7,24	35,05	3,34	PHS 08B-3B29	
	30	121,50	B	20	64	100	55	7,24	35,05	3,48	PHS 08B-3B30	
	35	141,68	B	20	73	110	55	7,24	35,05	4,79	PHS 08B-3B35	
	36	145,72	B	25	80	120	55	7,24	35,05	5,43	PHS 08B-3B36	
	38	153,80	B	25	80	120	55	7,24	35,05	6,49	PHS 08B-3B38	
	42	169,95	B	25	80	120	60	7,24	35,05	7,17	PHS 08B-3B42	
	45	182,07	B	25	80	120	60	7,24	35,05	7,69	PHS 08B-3B45	
	48	194,18	B	25	80	120	60	7,24	35,05	8,20	PHS 08B-3B48	
	52	210,34	B	25	80	120	60	7,24	35,05	8,88	PHS 08B-3B52	
	54	218,43	B	25	80	120	60	7,24	35,05	9,22	PHS 08B-3B54	
	57	230,54	B	25	80	120	60	7,24	35,05	12,62	PHS 08B-3B57	
	60	242,66	B	25	85	120	60	7,24	35,05	13,84	PHS 08B-3B60	
	68	274,99	B	25	85	120	60	7,24	35,05	15,69	PHS 08B-3B68	
	72	291,16	B	25	85	120	60	7,24	35,05	16,61	PHS 08B-3B72	
	76	307,33	B	25	85	120	60	7,24	35,05	22,23	PHS 08B-3B76	
	84	339,65	B	25	85	120	60	7,24	35,05	24,57	PHS 08B-3B84	
	95	384,11	B	25	85	120	60	7,24	35,05	33,11	PHS 08B-3B95	
	114	460,90	B	25	85	120	60	7,24	35,05	41,90	PHS 08B-3B114	
	15,88	11	56,34	B	16	24	39	55	8,97	42,14	0,68	PHS 10B-3B11
		12	61,34	B	16	29	44	55	8,97	42,14	0,82	PHS 10B-3B12
		13	66,32	B	16	34	49	55	8,97	42,14	1,05	PHS 10B-3B13
		14	71,34	B	16	35	54	55	8,97	42,14	1,23	PHS 10B-3B14
		15	76,36	B	16	38	59	55	8,97	42,14	1,36	PHS 10B-3B15
		16	81,37	B	16	42	64	60	8,97	42,14	1,55	PHS 10B-3B16
		17	86,38	B	16	45	69	60	8,97	42,14	1,81	PHS 10B-3B17
		18	91,42	B	16	48	74	60	8,97	42,14	2,09	PHS 10B-3B18
		19	96,45	B	16	52	79	60	8,97	42,14	2,40	PHS 10B-3B19
20		101,49	B	16	56	84	60	8,97	42,14	2,72	PHS 10B-3B20	
21		106,52	B	20	56	85	60	8,97	42,14	3,04	PHS 10B-3B21	
22		111,55	B	20	60	90	60	8,97	42,14	3,36	PHS 10B-3B22	
23		116,58	B	20	62	95	60	8,97	42,14	3,67	PHS 10B-3B23	
24		121,62	B	20	64	100	60	8,97	42,14	4,00	PHS 10B-3B24	
25		126,66	B	20	68	105	60	8,97	42,14	4,31	PHS 10B-3B25	
26		131,70	B	20	73	110	60	8,97	42,14	5,18	PHS 10B-3B26	
27		136,75	B	20	73	110	60	8,97	42,14	5,63	PHS 10B-3B27	
28		141,78	B	20	76	115	60	8,97	42,14	6,04	PHS 10B-3B28	
29		146,83	B	20	76	115	60	8,97	42,14	6,22	PHS 10B-3B29	
30		151,87	B	20	80	120	60	8,97	42,14	6,36	PHS 10B-3B30	
32		161,95	B	20	80	120	60	8,97	42,14	7,26	PHS 10B-3B32	
35		177,10	B	20	80	120	60	8,97	42,14	8,60	PHS 10B-3B35	
36		182,15	B	25	80	120	60	8,97	42,14	9,34	PHS 10B-3B36	
38		192,24	B	25	80	120	60	8,97	42,14	11,03	PHS 10B-3B38	
45		227,58	B	25	80	130	60	8,97	42,14	14,94	PHS 10B-3B45	
48		242,73	B	25	80	130	60	8,97	42,14	16,62	PHS 10B-3B48	
57		288,18	B	25	80	130	64	8,97	42,14	21,77	PHS 10B-3B57	
60		303,32	B	25	80	130	67	8,97	42,14	22,22	PHS 10B-3B60	
76		384,16	C	25	80	130	67	8,97	42,14	23,13	PHS 10B-3C76	
80		404,35	C	25	80	130	67	8,97	42,14	25,14	PHS 10B-3C80	
95	480,14	C	25	80	130	67	8,97	42,14	32,66	PHS 10B-3C95		
114	576,13	C	25	80	130	67	8,97	42,14	44,76	PHS 10B-3C114		
19,05	11	67,61	B	20	32	47	70	10,87	49,78	1,13	PHS 12B-3B11	
	12	73,61	B	20	36	53	70	10,87	49,78	1,50	PHS 12B-3B12	
	13	79,59	B	20	38	59	70	10,87	49,78	1,77	PHS 12B-3B13	
	14	85,61	B	20	42	65	70	10,87	49,78	2,04	PHS 12B-3B14	
	15	91,63	B	20	45	71	70	10,87	49,78	2,45	PHS 12B-3B15	
	16	97,65	B	20	51	77	70	10,87	49,78	2,95	PHS 12B-3B16	
	17	103,67	B	20	54	83	70	10,87	49,78	3,49	PHS 12B-3B17	
	18	109,71	B	20	60	89	70	10,87	49,78	3,86	PHS 12B-3B18	
	19	115,75	B	20	62	95	70	10,87	49,78	4,54	PHS 12B-3B19	
	20	121,78	B	20	64	100	70	10,87	49,78	5,08	PHS 12B-3B20	
	21	127,82	B	20	64	100	70	10,87	49,78	5,67	PHS 12B-3B21	
	22	133,86	B	20	64	100	70	10,87	49,78	5,99	PHS 12B-3B22	
	23	139,90	B	20	73	110	70	10,87	49,78	6,62	PHS 12B-3B23	
	24	145,94	B	20	73	110	70	10,87	49,78	7,17	PHS 12B-3B24	
	25	152,00	B	20	80	120	70	10,87	49,78	7,71	PHS 12B-3B25	
	26	158,04	B	20	80	120	70	10,87	49,78	8,44	PHS 12B-3B26	
	27	164,09	B	20	80	120	70	10,87	49,78	8,99	PHS 12B-3B27	
	28	170,13	B	20	80	120	70	10,87	49,78	9,49	PHS 12B-3B28	
	29	176,19	B	20	80	120	70	10,87	49,78	9,99	PHS 12B-3B29	
	30	182,25	B	20	80	120	70	10,87	49,78	10,53	PHS 12B-3B30	

Maximum bores can accommodate standard keyways. Larger bores are available where a shallow keyway is used or no keyway is required. For sprockets with hardened teeth, add "H" before the number of teeth, e.g. PHS 06B-3BH12.

Metric sprockets, triplex, standard

ISO 12B-3 · 19,05 mm pitch | ISO 16B-3 · 25,40 mm pitch | ISO 20B-3 · 31,75 mm pitch



Pitch	Number of teeth	Pitch diameter PD	Type	Dimensions Bore		Hub		Plate thickness		Mass	Designation
				Min.	Max.	H	L	t ₁	t ₂		
mm	-	mm	-	mm						kg	-
19,05	35	212,52	B	25	85	130	70	10,87	49,78	18,95	PHS 12B-3B35
	36	218,58	B	25	85	130	70	10,87	49,78	19,49	PHS 12B-3B36
	38	230,69	B	25	85	130	70	10,87	49,78	20,57	PHS 12B-3B38
	45	273,10	B	25	85	140	70	10,87	49,78	24,36	PHS 12B-3B45
	48	291,27	B	25	85	140	70	10,87	49,78	25,98	PHS 12B-3B48
	57	345,81	B	25	82	140	70	10,87	49,78	33,73	PHS 12B-3B57
	60	363,99	C	25	82	140	70	10,87	49,78	35,51	PHS 12B-3C60
	68	412,49	C	25	82	140	70	10,87	49,78	40,24	PHS 12B-3C68
	76	460,99	C	25	95	140	70	10,87	49,78	37,19	PHS 12B-3C76
	80	485,22	C	25	95	140	70	10,87	49,78	39,15	PHS 12B-3C80
95	576,17	C	25	95	140	70	10,87	49,78	47,63	PHS 12B-3C95	
25,40	10	90,14	B	20	42	56	95	15,82	79,58	1,85	PHS 16B-3B10
	11	90,14	B	25	42	64	100	15,82	79,58	3,59	PHS 16B-3B11
	12	98,14	B	25	45	72	100	15,82	79,58	3,59	PHS 16B-3B12
	13	106,12	B	25	52	80	100	15,82	79,58	4,13	PHS 16B-3B13
	14	114,15	B	25	58	88	100	15,82	79,58	4,68	PHS 16B-3B14
	15	122,17	B	25	62	96	100	15,82	79,58	5,54	PHS 16B-3B15
	16	130,20	B	25	66	104	100	15,82	79,58	6,81	PHS 16B-3B16
	17	138,22	B	25	74	112	100	15,82	79,58	8,07	PHS 16B-3B17
	18	146,28	B	25	80	120	100	15,82	79,58	9,99	PHS 16B-3B18
	19	154,33	B	25	84	128	100	15,82	79,58	10,89	PHS 16B-3B19
	20	162,38	B	25	85	130	100	15,82	79,58	11,80	PHS 16B-3B20
	21	170,43	B	25	85	130	100	15,82	79,58	13,61	PHS 16B-3B21
	22	178,48	B	25	85	130	100	15,82	79,58	14,07	PHS 16B-3B22
	23	186,53	B	25	85	130	100	15,82	79,58	14,97	PHS 16B-3B23
	24	194,59	B	25	85	130	100	15,82	79,58	16,34	PHS 16B-3B24
	25	202,66	B	25	85	130	100	15,82	79,58	17,70	PHS 16B-3B25
	26	210,72	B	30	85	130	100	15,82	79,58	19,98	PHS 16B-3B26
	27	218,79	B	30	85	130	100	15,82	79,58	21,57	PHS 16B-3B27
	28	226,85	B	30	85	130	100	15,82	79,58	23,15	PHS 16B-3B28
	29	234,92	B	30	85	130	100	15,82	79,58	24,74	PHS 16B-3B29
	30	243,00	B	30	95	136	100	15,82	79,58	26,33	PHS 16B-3B30
	35	283,36	B	30	95	140	100	15,82	79,58	36,06	PHS 16B-3B35
	36	291,44	B	30	95	140	100	15,82	79,58	38,06	PHS 16B-3B36
	38	307,59	C	30	97	140	100	15,82	79,58	38,22	PHS 16B-3C38
42	339,89	C	30	97	160	100	15,82	79,58	38,51	PHS 16B-3C42	
45	364,13	C	30	97	160	100	15,82	79,58	41,77	PHS 16B-3C45	
57	461,07	C	30	107	180	110	15,82	79,58	54,80	PHS 16B-3C57	
60	485,32	C	30	107	180	110	15,82	79,58	58,06	PHS 16B-3C60	
68	549,98	C	30	107	180	110	15,82	79,58	63,50	PHS 16B-3C68	
76	614,65	C	30	107	180	110	15,82	79,58	74,52	PHS 16B-3C76	
95	768,22	C	30	114	180	110	15,82	79,58	100,70	PHS 16B-3C95	
114	921,81	C	30	114	180	110	15,82	79,58	120,84	PHS 16B-3C114	
31,75	10	102,75	B	20	47	70	110	18,19	91,08	3,95	PHS 20B-3B10
	11	112,70	B	20	52	80	115	18,19	91,08	5,26	PHS 20B-3B11
	12	122,67	B	20	60	90	115	18,19	91,08	6,21	PHS 20B-3B12
	13	132,67	B	20	64	100	115	18,19	91,08	9,26	PHS 20B-3B13
	14	142,68	B	20	73	110	115	18,19	91,08	9,76	PHS 20B-3B14
	15	152,71	B	20	80	120	115	18,19	91,08	10,81	PHS 20B-3B15
	16	162,75	B	25	80	120	115	18,19	91,08	12,76	PHS 20B-3B16
	17	172,79	B	25	80	120	115	18,19	91,08	14,76	PHS 20B-3B17
	18	182,84	B	25	80	120	115	18,19	91,08	16,71	PHS 20B-3B18
	19	192,90	B	25	80	120	115	18,19	91,08	19,13	PHS 20B-3B19

Maximum bores can accommodate standard keyways. Larger bores are available where a shallow keyway is used or no keyway is required. For sprockets with hardened teeth, add "H" before the number of teeth, e.g. PHS 06B-3BH12.

Metric sprockets, triplex, standard

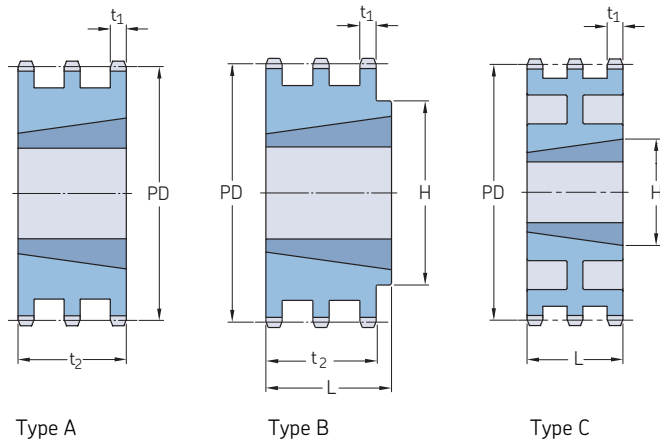
ISO 20B-3 · 31,75 mm pitch

Pitch	Number of teeth	Pitch diameter PD	Type	Dimensions Bore		Hub		Plate thickness		Mass	Designation
				Min.	Max.	H	L	t ₁	t ₂		
mm	–	mm	–	mm						kg	–
31,75	20	202,96	B	25	80	120	115	18,19	91,08	21,57	PHS 20B-3B20
	21	213,03	B	25	92	140	115	18,19	91,08	23,36	PHS 20B-3B21
	22	223,10	B	25	92	140	115	18,19	91,08	25,65	PHS 20B-3B22
	23	233,17	B	25	92	140	115	18,19	91,08	27,90	PHS 20B-3B23
	24	243,25	B	25	95	140	115	18,19	91,08	27,19	PHS 20B-3B24
	25	253,32	B	25	95	140	115	18,19	91,08	27,90	PHS 20B-3B25
	26	263,41	B	25	95	150	115	18,19	91,08	31,90	PHS 20B-3B26
	27	273,49	B	25	95	150	115	18,19	91,08	35,90	PHS 20B-3B27
	28	283,57	B	25	95	150	115	18,19	91,08	39,90	PHS 20B-3B28
	30	303,75	B	25	95	150	115	18,19	91,08	47,90	PHS 20B-3B30
	32	323,92	B	30	95	150	115	18,19	91,08	51,57	PHS 20B-3B32
	35	354,20	C	30	97	150	115	18,19	91,08	57,29	PHS 20B-3C35
	36	364,29	C	30	97	150	115	18,19	91,08	59,35	PHS 20B-3C36
	38	384,48	C	30	97	150	115	18,19	91,08	62,56	PHS 20B-3C38
	42	424,86	C	30	97	160	110	18,19	91,08	70,12	PHS 20B-3C42
	45	455,15	C	30	97	160	110	18,19	91,08	75,84	PHS 20B-3C45
	57	576,35	C	30	102	180	123	18,19	91,08	100,11	PHS 20B-3C57
	60	606,66	C	30	102	180	123	18,19	91,08	104,86	PHS 20B-3C60
	68	687,48	C	30	102	200	123	18,19	91,08	117,54	PHS 20B-3C68
	76	768,30	C	30	102	200	123	18,19	91,08	130,21	PHS 20B-3C76
80	808,71	C	30	102	200	123	18,19	91,08	136,55	PHS 20B-3C80	
95	960,28	C	30	102	200	123	18,19	91,08	160,31	PHS 20B-3C95	
114	1 152,27	C	30	102	200	126	18,19	91,08	190,41	PHS 20B-3C114	

Maximum bores can accommodate standard keyways. Larger bores are available where a shallow keyway is used or no keyway is required. For sprockets with hardened teeth, add "H" before the number of teeth, e.g. PHS 06B-3BH12.

Metric sprockets, triplex, taper bushed

ISO 12B-3 · 19,05 mm pitch | ISO 16B-3 · 25,40 mm pitch

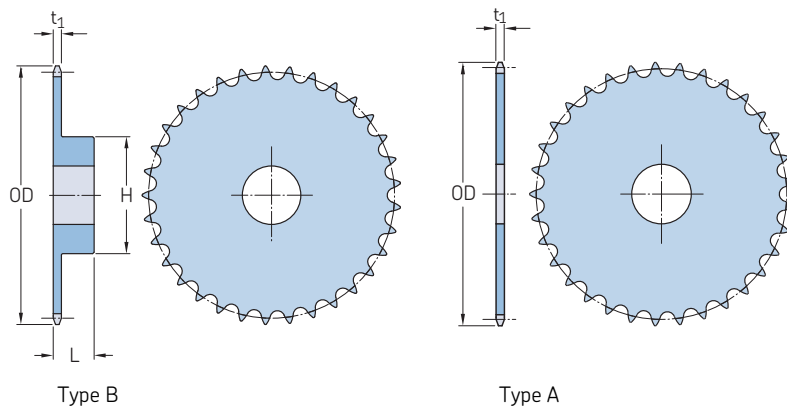


Pitch	Number of teeth	Pitch diameter PD	Type	Bushing number	Dimensions Bore		L	H	Plate thickness		Mass	Designation
					Min.	Max.			t ₁	t ₂		
mm	-	mm	-	-	mm						kg	-
19,05	17	103,67	A	2012	14	50	-	-	10,87	49,78	1,28	PHS 12B-3TB17
	19	115,75	A	2517	16	65	-	-	10,87	49,78	2,02	PHS 12B-3TB19
	21	127,82	A	2517	16	65	-	-	10,87	49,78	2,09	PHS 12B-3TB21
	23	139,90	A	2517	16	65	-	-	10,87	49,78	3,00	PHS 12B-3TB23
	25	152,00	A	3020	25	75	-	-	10,87	49,78	3,97	PHS 12B-3TB25
	27	164,09	B	3020	25	75	140	51,0	10,87	49,78	3,83	PHS 12B-3TB27
	30	182,25	B	3020	25	75	140	51,0	10,87	49,78	5,72	PHS 12B-3TB30
	38	230,69	B	3020	25	75	140	51,0	10,87	49,78	7,76	PHS 12B-3TB38
	45	273,10	C	3020	25	75	140	51,0	10,87	49,78	10,04	PHS 12B-3TB45
	57	345,81	C	3020	25	75	140	51,0	10,87	49,78	14,42	PHS 12B-3TB57
	76	460,99	C	3020	25	75	140	51,0	10,87	49,78	25,50	PHS 12B-3TB76
	95	576,17	C	3030	25	75	140	76,0	10,87	49,78	36,58	PHS 12B-3TB95
	114	691,36	C	3030	25	75	140	76,0	10,87	49,78	47,66	PHS 12B-3TB114
	25,40	17	138,22	A	2517	16	65	-	-	15,82	79,58	4,20
19		154,33	B	3020	35	75	-	76,2	15,82	79,58	4,30	PHS 16B-3TB19
21		170,43	B	3020	35	75	-	76,2	15,82	79,58	6,60	PHS 16B-3TB21
23		186,53	B	3525	35	100	-	65,0	15,82	79,58	7,00	PHS 16B-3TB23
25		202,66	B	3525	35	100	-	65,0	15,82	79,58	9,80	PHS 16B-3TB25
27		218,79	B	3525	35	100	-	65,0	15,82	79,58	12,80	PHS 16B-3TB27
30		243,00	B	3525	35	100	-	65,0	15,82	79,58	18,00	PHS 16B-3TB30
38		307,59	B	3535	35	100	178	89,0	15,82	79,58	21,50	PHS 16B-3TB38
45		364,13	C	4040	40	115	216	102,0	15,82	79,58	33,50	PHS 16B-3TB45
57		461,07	C	4040	40	115	216	102,0	15,82	79,58	39,50	PHS 16B-3TB57
76		614,65	C	4040	40	115	216	102,0	15,82	79,58	59,50	PHS 16B-3TB76

Maximum bores can accommodate standard keyways. Larger bores are available where a shallow keyway is used or no keyway is required. For sprockets with hardened teeth, add "H" before the number of teeth, e.g. PHS 12B-3TBH17.

ANSI sprockets, simplex, pilot bore

ANSI 25-1 · 1/4 in. pitch

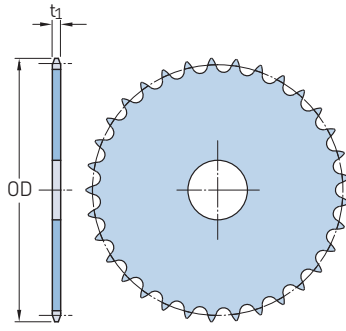


Pitch	Number of teeth	Outside diameter OD	Type	Dimensions Bore stock	Bore		Hub		Plate thickness t ₁	Mass	Designation
					Min.	Max.	H	L			
in.	–	in.	–	in.					lbs.	–	
1/4	9	0.84	B	–	1/4	1/4	7/16	1/2	0,110	0.03	PHS 25-1B9
1/4	10	0.92	B	–	1/4	1/4	1/2	1/2	0,110	0.03	PHS 25-1B10
1/4	11	1.00	B	–	1/4	5/16	9/16	1/2	0,110	0.04	PHS 25-1B11
1/4	12	1.08	B	–	1/4	3/8	5/8	1/2	0,110	0.06	PHS 25-1B12
1/4	13	1.17	B	–	1/4	7/16	23/32	1/2	0,110	0.07	PHS 25-1B13
1/4	14	1.25	B	–	1/4	9/16	13/16	1/2	0,110	0.08	PHS 25-1B14
1/4	15	1.33	B	–	1/4	9/16	57/64	1/2	0,110	0.10	PHS 25-1B15
1/4	16	1.41	B	–	1/4	9/16	31/32	1/2	0,110	0.12	PHS 25-1B16
1/4	17	1.49	B	–	1/4	5/8	1 1/32	1/2	0,110	0.14	PHS 25-1B17
1/4	18	1.57	A	1/4	–	–	–	–	0,110	0.04	PHS 25-1A18
1/4	18	1.57	B	–	1/4	3/4	1 1/8	1/2	0,110	0.16	PHS 25-1B18
1/4	19	1.65	A	1/4	–	–	–	–	0,110	0.04	PHS 25-1A19
1/4	19	1.65	B	–	1/4	13/16	1 7/32	1/2	0,110	0.19	PHS 25-1B19
1/4	20	1.73	A	1/4	–	–	–	–	0,110	0.04	PHS 25-1A20
1/4	20	1.73	B	–	1/4	7/8	1 9/32	5/8	0,110	0.25	PHS 25-1B20
1/4	21	1.81	A	3/8	–	–	–	–	0,110	0.04	PHS 25-1A21
1/4	21	1.81	B	–	1/4	7/8	1 3/8	5/8	0,110	0.28	PHS 25-1B21
1/4	22	1.89	A	3/8	–	–	–	–	0,110	0.06	PHS 25-1A22
1/4	22	1.89	B	–	1/4	15/16	1 7/16	5/8	0,110	0.31	PHS 25-1B22
1/4	23	1.97	A	3/8	–	–	–	–	0,110	0.06	PHS 25-1A23
1/4	23	1.97	B	–	1/4	1	1 1/2	5/8	0,110	0.32	PHS 25-1B23
1/4	24	2.05	A	3/8	–	–	–	–	0,110	0.08	PHS 25-1A24
1/4	24	2.05	B	–	3/8	1	1 1/2	5/8	0,110	0.33	PHS 25-1B24
1/4	25	2.13	A	3/8	–	–	–	–	0,110	0.08	PHS 25-1A25
1/4	25	2.13	B	–	3/8	1	1 1/2	5/8	0,110	0.34	PHS 25-1B25
1/4	26	2.21	A	3/8	–	–	–	–	0,110	0.09	PHS 25-1A26
1/4	26	2.21	B	–	3/8	1	1 1/2	5/8	0,110	0.35	PHS 25-1B26
1/4	28	2.37	A	3/8	–	–	–	–	0,110	0.10	PHS 25-1A28
1/4	28	2.37	B	–	3/8	1	1 1/2	5/8	0,110	0.36	PHS 25-1B28
1/4	30	2.53	A	3/8	–	–	–	–	0,110	0.12	PHS 25-1A30
1/4	30	2.53	B	–	3/8	1	1 1/2	5/8	0,110	0.38	PHS 25-1B30
1/4	32	2.69	A	3/8	–	–	–	–	0,110	0.14	PHS 25-1A32
1/4	32	2.69	B	–	3/8	1	1 1/2	5/8	0,110	0.40	PHS 25-1B32
1/4	35	2.93	A	3/8	–	–	–	–	0,110	0.16	PHS 25-1A35
1/4	36	3.01	A	3/8	–	–	–	–	0,110	0.18	PHS 25-1A36
1/4	36	3.01	B	–	3/8	1	1 1/2	3/4	0,110	0.50	PHS 25-1B36
1/4	40	3.33	A	1/2	–	–	–	–	0,110	0.20	PHS 25-1A40
1/4	40	3.33	B	–	1/2	1 3/8	2	3/4	0,110	0.53	PHS 25-1B40
1/4	42	3.49	A	1/2	–	–	–	–	0,110	0.24	PHS 25-1A42

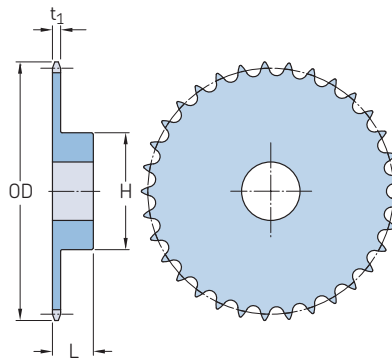
Maximum bores can accommodate standard keyways. Larger bores are available where a shallow keyway is used or no keyway is required. For sprockets with hardened teeth, add "H" before the number of teeth, e.g. PHS 25-1BH9.

ANSI sprockets, simplex, pilot bore

ANSI 25-1 · 1/4 in. pitch | ANSI 35-1 · 3/8 in. pitch



Type A



Type B

Pitch	Number of teeth	Outside diameter OD	Type	Dimensions Bore Bore stock		Hub		Plate thickness t ₁	Mass	Designation	
				Min.	Max.	H	L				
in.	-	in.	-	in.	-	-	-	lbs.	-		
1/4	45	3,73	A	1/2	-	-	-	0,110	0,25	PHS 25-1A45	
		3,73	B	-	1/2	1 3/8	2	3/4	0,110	0,56	PHS 25-1B45
1/4	48	3,96	A	1/2	-	-	-	0,110	0,32	PHS 25-1A48	
		3,96	B	-	1/2	1 3/8	2	3/4	0,110	0,56	PHS 25-1B48
1/4	54	4,44	A	1/2	-	-	-	0,110	0,38	PHS 25-1A54	
		4,44	B	-	1/2	1 3/8	2	3/4	0,110	1,00	PHS 25-1B54
1/4	60	4,92	A	1/2	-	-	-	0,110	0,54	PHS 25-1A60	
		4,92	B	-	1/2	1 3/8	2	3/4	0,110	1,10	PHS 25-1B60
1/4	70	5,72	B	-	1/2	1 3/8	2	3/4	0,110	1,25	PHS 25-1B70
1/4	72	5,88	A	1/2	-	-	-	0,110	0,74	PHS 25-1A72	
		5,88	B	-	1/2	1 3/8	2	3/4	0,110	1,30	PHS 25-1B72
3/8	8	1,13	B	-	3/8	3/8	3/4	3/4	0,168	0,07	PHS 35-1B8
3/8	9	1,26	B	-	3/8	3/8	27/32	3/4	0,168	0,09	PHS 35-1B9
3/8	10	1,38	B	-	3/8	9/16	31/32	3/4	0,168	0,14	PHS 35-1B10
3/8	11	1,50	B	-	3/8	9/16	1 1/16	3/4	0,168	0,17	PHS 35-1B11
3/8	12	1,63	B	-	1/2	9/16	1 7/32	3/4	0,168	0,20	PHS 35-1B12
3/8	13	1,75	B	-	1/2	11/16	1 1/4	3/4	0,168	0,23	PHS 35-1B13
3/8	14	1,87	B	-	1/2	7/8	1 1/4	3/4	0,168	0,25	PHS 35-1B14
3/8	15	1,99	A	1/2	-	-	-	0,168	0,10	PHS 35-1A15	
		1,99	B	-	1/2	7/8	1 11/32	3/4	0,168	0,29	PHS 35-1B15
3/8	16	2,11	A	1/2	-	-	-	0,168	0,12	PHS 35-1A16	
		2,11	B	-	1/2	15/16	1 15/32	3/4	0,168	0,35	PHS 35-1B16
3/8	17	2,23	A	1/2	-	-	-	0,168	0,12	PHS 35-1A17	
		2,23	B	-	1/2	1 1/16	1 19/32	3/4	0,168	0,42	PHS 35-1B17
3/8	18	2,35	A	1/2	-	-	-	0,168	0,14	PHS 35-1A18	
		2,35	B	-	1/2	1 3/16	1 23/32	3/4	0,168	0,48	PHS 35-1B18
3/8	19	2,47	A	1/2	-	-	-	0,168	0,16	PHS 35-1A19	
		2,47	B	-	1/2	1 1/4	1 27/32	3/4	0,168	0,54	PHS 35-1B19
3/8	20	2,59	A	1/2	-	-	-	0,168	0,20	PHS 35-1A20	
		2,59	B	-	1/2	1 5/16	1 15/16	3/4	0,168	0,59	PHS 35-1B20
3/8	21	2,71	A	1/2	-	-	-	0,168	0,20	PHS 35-1A21	
		2,71	B	-	1/2	1 3/8	2	7/8	0,168	0,80	PHS 35-1B21
3/8	22	2,83	A	1/2	-	-	-	0,168	0,22	PHS 35-1A22	
		2,83	B	-	1/2	1 3/8	2	7/8	0,168	0,80	PHS 35-1B22
3/8	23	2,95	A	1/2	-	-	-	0,168	0,24	PHS 35-1A23	
		2,95	B	-	1/2	1 3/8	2	7/8	0,168	0,82	PHS 35-1B23
3/8	24	3,07	A	1/2	-	-	-	0,168	0,26	PHS 35-1A24	
		3,07	B	-	1/2	1 3/8	2	7/8	0,168	0,88	PHS 35-1B24
3/8	25	3,19	A	1/2	-	-	-	0,168	0,28	PHS 35-1A25	
		3,19	B	-	1/2	1 3/8	2	7/8	0,168	0,88	PHS 35-1B25

Maximum bores can accommodate standard keyways. Larger bores are available where a shallow keyway is used or no keyway is required. For sprockets with hardened teeth, add "H" before the number of teeth, e.g. PHS 25-1BH9.

ANSI sprockets, simplex, pilot bore

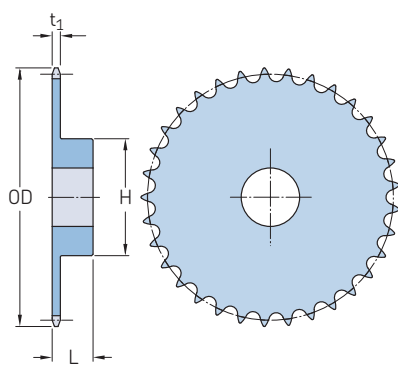
ANSI 35-1 · 3/8 in. pitch | ANSI 41-1 · 1/2 in. pitch

Pitch	Number of teeth	Outside diameter OD	Type	Dimensions Bore stock	Bore		Hub		Plate thickness t ₁	Mass lbs.	Designation
					Min.	Max.	H	L			
in.	–	in.	–	in.							–
3/8	26	3,31	A	1/2	–	–	–	–	0,168	0,28	PHS 35-1A26
		3,31	B	–	1/2	1 3/8	2	7/8	0,168	0,90	PHS 35-1B26
3/8	27	3,43	A	1/2	–	–	–	–	0,168	0,34	PHS 35-1A27
		3,43	B	–	1/2	1 3/8	2	7/8	0,168	0,94	PHS 35-1B27
3/8	28	3,55	A	1/2	–	–	–	–	0,168	0,34	PHS 35-1A28
		3,55	B	–	1/2	1 3/8	2	7/8	0,168	0,94	PHS 35-1B28
3/8	30	3,79	A	1/2	–	–	–	–	0,168	0,46	PHS 35-1A30
		3,79	B	–	1/2	1 3/8	2	7/8	0,168	1,02	PHS 35-1B30
3/8	32	4,03	A	5/8	–	–	–	–	0,168	0,46	PHS 35-1A32
		4,03	B	–	1/2	1 3/8	2	7/8	0,168	1,24	PHS 35-1B32
3/8	35	4,39	A	5/8	–	–	–	–	0,168	0,60	PHS 35-1A35
		4,39	B	–	5/8	1 1/2	2 1/4	7/8	0,168	1,50	PHS 35-1B35
3/8	36	4,51	A	5/8	–	–	–	–	0,168	0,62	PHS 35-1A36
		4,51	B	–	5/8	1 1/2	2 1/4	7/8	0,168	1,56	PHS 35-1B36
3/8	40	4,99	A	19/32	–	–	–	–	0,168	0,70	PHS 35-1A40
		4,99	B	–	5/8	1 1/2	2 1/4	1	0,168	1,62	PHS 35-1B40
3/8	42	5,23	A	19/32	–	–	–	–	0,168	0,78	PHS 35-1A42
		5,23	B	–	5/8	1 1/2	2 1/4	1	0,168	1,68	PHS 35-1B42
3/8	45	5,59	A	19/32	–	–	–	–	0,168	0,88	PHS 35-1A45
		5,59	B	–	5/8	1 1/2	2 1/4	1	0,168	1,78	PHS 35-1B45
3/8	48	5,95	A	19/32	–	–	–	–	0,168	1,21	PHS 35-1A48
		5,95	B	–	5/8	1 1/2	2 1/4	1	0,168	1,88	PHS 35-1B48
3/8	54	6,66	A	19/32	–	–	–	–	0,168	1,32	PHS 35-1A54
		6,66	B	–	5/8	1 1/2	2 1/4	1	0,168	2,20	PHS 35-1B54
3/8	60	7,38	A	23/32	–	–	–	–	0,168	1,66	PHS 35-1A60
		7,38	B	–	3/4	1 1/2	2 1/4	1	0,168	2,48	PHS 35-1B60
3/8	70	8,58	A	23/32	–	–	–	–	0,168	2,30	PHS 35-1A70
		8,58	B	–	3/4	1 1/2	2 1/4	1	0,168	3,12	PHS 35-1B70
3/8	72	8,81	A	23/32	–	–	–	–	0,168	2,56	PHS 35-1A72
		8,81	B	–	3/4	1 1/2	2 1/4	1	0,168	3,42	PHS 35-1B72
3/8	80	9,77	A	23/32	–	–	–	–	0,168	3,16	PHS 35-1A80
		9,77	B	–	3/4	1 1/2	2 1/4	1	0,168	3,82	PHS 35-1B80
3/8	84	10,25	A	23/32	–	–	–	–	0,168	3,26	PHS 35-1A84
		10,25	B	–	3/4	1 1/2	2 1/4	1	0,168	4,24	PHS 35-1B84
3/8	96	11,68	A	23/32	–	–	–	–	0,168	4,64	PHS 35-1A96
		11,68	B	–	3/4	1 1/2	2 1/4	1	0,168	5,16	PHS 35-1B96
3/8	112	13,59	A	23/32	–	–	–	–	0,168	5,05	PHS 35-1A112
		13,59	B	–	3/4	1 1/2	2 1/4	1	0,168	6,70	PHS 35-1B112
1/2	6	1,17	B	–	3/8	3/8	21/32	7/8	0,227	0,07	PHS 41-1B6
1/2	7	1,34	B	–	3/8	3/8	3/4	7/8	0,227	0,10	PHS 41-1B7
1/2	8	1,51	B	–	1/2	1/2	63/64	7/8	0,227	0,19	PHS 41-1B8
1/2	9	1,67	B	–	1/2	5/8	1 1/8	7/8	0,227	0,20	PHS 41-1B9
1/2	10	1,84	B	–	1/2	3/4	1 1/4	7/8	0,227	0,27	PHS 41-1B10
1/2	11	2,00	B	–	1/2	7/8	1 7/16	7/8	0,227	0,35	PHS 41-1B11
1/2	12	2,17	B	–	1/2	15/16	1 9/16	7/8	0,227	0,44	PHS 41-1B12
1/2	13	2,33	B	–	1/2	1	1 9/16	7/8	0,227	0,50	PHS 41-1B13
1/2	14	2,49	B	–	1/2	1 1/4	1 3/4	7/8	0,227	0,57	PHS 41-1B14
1/2	15	2,65	A	5/8	–	–	–	–	0,227	0,28	PHS 41-1A15
		2,65	B	–	1/2	1 5/16	1 38/32	7/8	0,227	0,72	PHS 41-1B15
1/2	16	2,81	A	5/8	–	–	–	–	0,227	0,34	PHS 41-1A16
		2,81	B	–	5/8	1 3/8	2 1/16	7/8	0,227	0,91	PHS 41-1B16
1/2	17	2,97	A	5/8	–	–	–	–	0,227	0,36	PHS 41-1A17
		2,97	B	–	5/8	1 1/2	2 15/64	1	0,227	1,09	PHS 41-1B17
1/2	18	3,14	A	5/8	–	–	–	–	0,227	0,44	PHS 41-1A18
		3,14	B	–	5/8	1 5/8	2 3/8	1	0,227	1,25	PHS 41-1B18
1/2	19	3,30	A	5/8	–	–	–	–	0,227	0,46	PHS 41-1A19

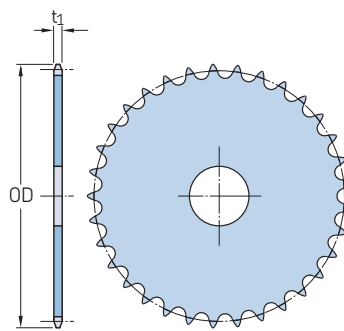
Maximum bores can accommodate standard keyways. Larger bores are available where a shallow keyway is used or no keyway is required. For sprockets with hardened teeth, add "H" before the number of teeth, e.g. PHS 25-1BH9.

ANSI sprockets, simplex, pilot bore

ANSI 41-1 · 1/2 in. pitch



Type B



Type A

Pitch	Number of teeth	Outside diameter	Type	Dimensions Bore stock	Bore		Hub		Plate thickness	Mass	Designation
					Min.	Max.	H	L			
in.	-	in.	-	in.					t ₁	lbs.	-
1/2	19	3,30	B	-	5/8	1 3/4	2 15/32	1	0,227	1,49	PHS 41-1B19
1/2	20	3,46	A	5/8	-	-	-	-	0,227	0,52	PHS 41-1A20
		3,46	B	-	5/8	1 7/8	2 3/4	1	0,227	1,64	PHS 41-1B20
1/2	21	3,62	A	5/8	-	-	-	-	0,227	0,60	PHS 41-1A21
		3,62	B	-	5/8	1 7/8	2 7/8	1	0,227	1,81	PHS 41-1B21
1/2	22	3,78	A	5/8	-	-	-	-	0,227	0,66	PHS 41-1A22
		3,78	B	-	5/8	2	3	1	0,227	1,93	PHS 41-1B22
1/2	23	3,94	A	5/8	-	-	-	-	0,227	0,72	PHS 41-1A23
		3,94	B	-	5/8	2 1/4	3 3/16	1	0,227	2,25	PHS 41-1B23
1/2	24	4,10	A	5/8	-	-	-	-	0,227	0,82	PHS 41-1A24
		4,10	B	-	5/8	2 1/4	3 1/4	1	0,227	2,33	PHS 41-1B24
1/2	25	4,26	A	5/8	-	-	-	-	0,227	0,88	PHS 41-1A25
		4,26	B	-	5/8	2 1/4	3 1/4	1	0,227	2,46	PHS 41-1B25
1/2	26	4,42	A	5/8	-	-	-	-	0,227	0,94	PHS 41-1A26
		4,42	B	-	5/8	2 1/4	3 1/4	1	0,227	2,50	PHS 41-1B26
1/2	27	4,58	A	5/8	-	-	-	-	0,227	1,00	PHS 41-1A27
		4,58	B	-	5/8	2 1/4	3 1/4	1	0,227	2,56	PHS 41-1B27
1/2	28	4,74	A	5/8	-	-	-	-	0,227	1,08	PHS 41-1A28
		4,74	B	-	5/8	2 1/4	3 1/4	1	0,227	2,64	PHS 41-1B28
1/2	30	5,06	A	19/32	-	-	-	-	0,227	1,20	PHS 41-1A30
		5,06	B	-	5/8	2 1/4	3 1/4	1	0,227	2,80	PHS 41-1B30
1/2	32	5,38	A	19/32	-	-	-	-	0,227	1,44	PHS 41-1A32
		5,38	B	-	5/8	2 1/4	3 1/4	1	0,227	2,96	PHS 41-1B32
1/2	35	5,86	A	19/32	-	-	-	-	0,227	1,70	PHS 41-1A35
		5,86	B	-	5/8	2 3/8	3 1/4	1	0,227	3,12	PHS 41-1B35
1/2	36	6,02	A	19/32	-	-	-	-	0,227	1,84	PHS 41-1A36
		6,02	B	-	5/8	2 3/8	3 1/4	1	0,227	3,32	PHS 41-1B36
1/2	40	6,65	A	23/32	-	-	-	-	0,227	2,22	PHS 41-1A40
		6,65	B	-	3/4	2 3/8	3 1/4	1 1/16	0,227	4,06	PHS 41-1B40
1/2	42	6,97	A	23/32	-	-	-	-	0,227	2,50	PHS 41-1A42
		6,97	B	-	3/4	2 3/8	3 1/2	1 1/16	0,227	4,10	PHS 41-1B42
1/2	45	7,45	A	23/32	-	-	-	-	0,227	2,52	PHS 41-1A45
		7,45	B	-	3/4	2 3/8	3 1/2	1 1/16	0,227	4,18	PHS 41-1B45
1/2	48	7,93	A	23/32	-	-	-	-	0,227	2,92	PHS 41-1A48
		7,93	B	-	3/4	2 3/8	3 1/2	1 1/16	0,227	4,92	PHS 41-1B48
1/2	54	8,88	A	23/32	-	-	-	-	0,227	3,54	PHS 41-1A54
		8,88	B	-	3/4	2 3/8	3 1/2	1 1/16	0,227	5,68	PHS 41-1B54
1/2	60	9,84	A	23/32	-	-	-	-	0,227	4,60	PHS 41-1A60
		9,84	B	-	3/4	2 3/8	3 1/2	1 1/16	0,227	6,78	PHS 41-1B60
1/2	70	11,43	A	23/32	-	-	-	-	0,227	6,22	PHS 41-1A70
		11,43	B	-	3/4	2 3/4	4	1 3/16	0,227	9,54	PHS 41-1B70
1/2	72	11,75	A	23/32	-	-	-	-	0,227	6,32	PHS 41-1A72
		11,75	B	-	3/4	2 3/4	4	1 3/16	0,227	9,64	PHS 41-1B72

Maximum bores can accommodate standard keyways. Larger bores are available where a shallow keyway is used or no keyway is required. For sprockets with hardened teeth, add "H" before the number of teeth, e.g. PHS 25-1BH9.

ANSI sprockets, simplex, pilot bore

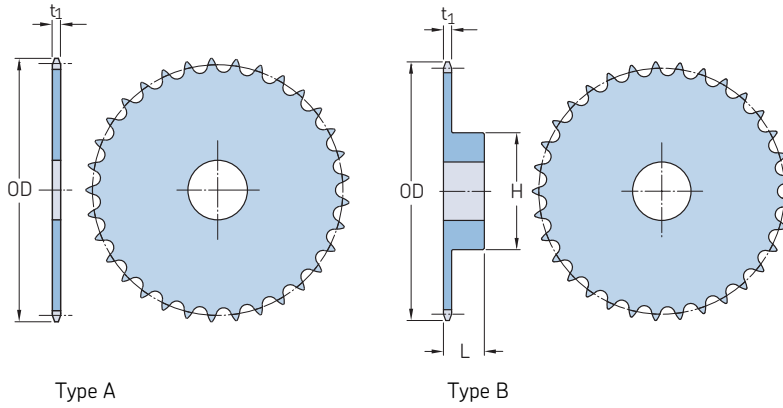
ANSI 41-1 · 1/2 in. pitch | ANSI 40-1 · 1/2 in. pitch

Pitch	Number of teeth	Outside diameter OD	Type	Dimensions Bore stock	Bore		Hub		Plate thickness t ₁	Mass lbs.	Designation
					Min.	Max.	H	L			
in.	-	in.	-	in.							-
1/2	80	13,03	A	23/32	-	-	-	-	0,227	8,46	PHS 41-1A80
		13,03	B	-	3/4	2 3/4	4	1 3/16	0,227	11,54	PHS 41-1B80
1/2	84	13,66	A	23/32	-	-	-	-	0,227	9,12	PHS 41-1A84
		13,66	B	-	3/4	2 3/4	4	1 3/16	0,227	12,20	PHS 41-1B84
1/2	96	15,57	A	15/16	-	-	-	-	0,227	11,84	PHS 41-1A96
		15,57	B	-	1	2 3/4	4	1 3/16	0,227	14,86	PHS 41-1B96
1/2	112	18,12	A	15/16	-	-	-	-	0,227	15,84	PHS 41-1A112
		18,12	B	-	1	2 3/4	4	1 3/16	0,227	19,16	PHS 41-1B112
1/2	8	1,50	B	-	1/2	1/2	31/32	7/8	0,284	0,18	PHS 40-1B8
1/2	9	1,67	B	-	1/2	9/16	1 1/16	7/8	0,284	0,20	PHS 40-1B9
1/2	10	1,84	B	-	1/2	3/4	1 1/4	7/8	0,284	0,27	PHS 40-1B10
1/2	11	2,00	B	-	1/2	7/8	1 3/8	7/8	0,284	0,35	PHS 40-1B11
1/2	12	2,17	A	1/2	-	-	-	-	0,284	0,18	PHS 40-1A12
		2,17	B	-	1/2	1	1 9/16	7/8	0,284	0,45	PHS 40-1B12
1/2	13	2,33	A	1/2	-	-	-	-	0,284	0,22	PHS 40-1A13
		2,33	B	-	1/2	1 1/16	1 9/16	7/8	0,284	0,50	PHS 40-1B13
1/2	14	2,49	A	1/2	-	-	-	-	0,284	0,26	PHS 40-1A14
		2,49	B	-	1/2	1 1/8	1 11/16	7/8	0,284	0,59	PHS 40-1B14
1/2	15	2,65	A	5/8	-	-	-	-	0,284	0,30	PHS 40-1A15
		2,65	B	-	1/2	1 1/4	1 13/16	7/8	0,284	0,70	PHS 40-1B15
1/2	16	2,81	A	5/8	-	-	-	-	0,284	0,34	PHS 40-1A16
		2,81	B	-	5/8	1 3/8	2	7/8	0,284	0,79	PHS 40-1B16
1/2	17	2,98	A	5/8	-	-	-	-	0,284	0,36	PHS 40-1A17
		2,98	B	-	5/8	1 7/16	2 1/8	1	0,284	1,04	PHS 40-1B17
1/2	18	3,14	A	5/8	-	-	-	-	0,284	0,44	PHS 40-1A18
		3,14	B	-	5/8	1 1/2	2 5/16	1	0,284	1,22	PHS 40-1B18
1/2	19	3,30	A	5/8	-	-	-	-	0,284	0,46	PHS 40-1A19
		3,30	B	-	5/8	1 3/4	2 1/2	1	0,284	1,43	PHS 40-1B19
1/2	20	3,46	A	5/8	-	-	-	-	0,284	0,56	PHS 40-1A20
		3,46	B	-	5/8	1 7/8	2 5/8	1	0,284	1,56	PHS 40-1B20
1/2	21	3,62	A	5/8	-	-	-	-	0,284	0,58	PHS 40-1A21
		3,62	B	-	5/8	1 7/8	2 3/4	1	0,284	1,73	PHS 40-1B21
1/2	22	3,78	A	5/8	-	-	-	-	0,284	0,66	PHS 40-1A22
		3,78	B	-	5/8	1 7/8	2 7/8	1	0,284	1,96	PHS 40-1B22
1/2	23	3,94	A	5/8	-	-	-	-	0,284	0,72	PHS 40-1A23
		3,94	B	-	5/8	2	3	1	0,284	2,13	PHS 40-1B23
1/2	24	4,10	A	5/8	-	-	-	-	0,284	0,82	PHS 40-1A24
		4,10	B	-	5/8	2 1/4	3 1/4	1	0,284	2,41	PHS 40-1B24
1/2	25	4,26	A	5/8	-	-	-	-	0,284	0,88	PHS 40-1A25
		4,26	B	-	5/8	2 1/4	3 1/4	1	0,284	2,54	PHS 40-1B25
1/2	26	4,42	A	5/8	-	-	-	-	0,284	0,94	PHS 40-1A26
		4,42	B	-	5/8	2 1/4	3 1/4	1	0,284	2,58	PHS 40-1B26
1/2	27	4,58	A	5/8	-	-	-	-	0,284	0,98	PHS 40-1A27
		4,58	B	-	5/8	2 1/4	3 1/4	1	0,284	2,66	PHS 40-1B27
1/2	28	4,74	A	5/8	-	-	-	-	0,284	1,10	PHS 40-1A28
		4,74	B	-	5/8	2 1/4	3 1/4	1	0,284	2,73	PHS 40-1B28
1/2	29	4,90	A	19/32	-	-	-	-	0,284	1,22	PHS 40-1A29
		4,90	B	-	5/8	2 1/4	3 1/4	1	0,284	2,80	PHS 40-1B29
1/2	30	5,06	A	19/32	-	-	-	-	0,284	1,26	PHS 40-1A30
		5,06	B	-	5/8	2 1/4	3 1/4	1	0,284	2,98	PHS 40-1B30
1/2	31	5,22	A	19/32	-	-	-	-	0,284	1,40	PHS 40-1A31
		5,22	B	-	5/8	2 1/4	3 1/4	1	0,284	3,10	PHS 40-1B31
1/2	32	5,38	A	19/32	-	-	-	-	0,284	1,48	PHS 40-1A32
		5,38	B	-	5/8	2 1/4	3 1/4	1	0,284	3,16	PHS 40-1B32
1/2	33	5,54	A	19/32	-	-	-	-	0,284	1,56	PHS 40-1A33
		5,54	B	-	5/8	2 1/4	3 1/4	1	0,284	3,22	PHS 40-1B33
1/2	34	5,70	A	19/32	-	-	-	-	0,284	1,64	PHS 40-1A34
		5,70	B	-	5/8	2 1/4	3 1/4	1	0,284	3,30	PHS 40-1B34

Maximum bores can accommodate standard keyways. Larger bores are available where a shallow keyway is used or no keyway is required. For sprockets with hardened teeth, add "H" before the number of teeth, e.g. PHS 25-1BH9.

ANSI sprockets, simplex, pilot bore

ANSI 40-1 · 1/2 in. pitch



Pitch	Number of teeth	Outside diameter OD	Type	Dimensions Bore stock	Bore		Hub		Plate thickness t ₁	Mass	Designation
					Min.	Max.	H	L			
in.	-	in.	-	in.					lbs.	-	
1/2	35	5,86	A	19/32	-	-	-	-	0,284	1,70	PHS 40-1A35
		5,86	B	-	5/8	2 1/4	3 1/4	1	0,284	3,46	PHS 40-1B35
1/2	36	6,02	A	19/32	-	-	-	-	0,284	1,84	PHS 40-1A36
		6,02	B	-	5/8	2 1/4	3 1/4	1	0,284	3,58	PHS 40-1B36
1/2	37	6,18	A	19/32	-	-	-	-	0,284	1,92	PHS 40-1A37
		6,18	B	-	5/8	2 1/4	3 1/4	1	0,284	3,62	PHS 40-1B37
1/2	38	6,33	A	19/32	-	-	-	-	0,284	2,00	PHS 40-1A38
		6,33	B	-	5/8	2 1/4	3 1/4	1	0,284	3,70	PHS 40-1B38
1/2	39	6,49	A	19/32	-	-	-	-	0,284	2,02	PHS 40-1A39
		6,49	B	-	5/8	2 1/4	3 1/4	1	0,284	3,76	PHS 40-1B39
1/2	40	6,65	A	23/32	-	-	-	-	0,284	2,22	PHS 40-1A40
		6,65	B	-	3/4	2 3/8	3 1/2	1 1/8	0,284	4,69	PHS 40-1B40
1/2	41	6,81	A	23/32	-	-	-	-	0,284	2,42	PHS 40-1A41
		6,81	B	-	3/4	2 3/8	3 1/2	1 1/8	0,284	4,76	PHS 40-1B41
1/2	42	6,97	A	23/32	-	-	-	-	0,284	2,50	PHS 40-1A42
		6,97	B	-	3/4	2 3/8	3 1/2	1 1/8	0,284	4,82	PHS 40-1B42
1/2	43	7,13	A	23/32	-	-	-	-	0,284	2,80	PHS 40-1A43
		7,13	B	-	3/4	2 3/8	3 1/2	1 1/8	0,284	5,12	PHS 40-1B43
1/2	44	7,29	A	23/32	-	-	-	-	0,284	2,85	PHS 40-1A44
		7,29	B	-	3/4	2 3/8	3 1/2	1 1/8	0,284	5,15	PHS 40-1B44
1/2	45	7,45	A	23/32	-	-	-	-	0,284	3,15	PHS 40-1A45
		7,45	B	-	3/4	2 3/8	3 1/2	1 1/8	0,284	5,30	PHS 40-1B45
1/2	46	7,61	A	23/32	-	-	-	-	0,284	3,26	PHS 40-1A46
		7,61	B	-	3/4	2 3/8	3 1/2	1 1/8	0,284	5,57	PHS 40-1B46
1/2	47	7,77	A	23/32	-	-	-	-	0,284	3,32	PHS 40-1A47
		7,77	B	-	3/4	2 3/8	3 1/2	1 1/8	0,284	5,44	PHS 40-1B47
1/2	48	7,93	A	23/32	-	-	-	-	0,284	3,22	PHS 40-1A48
		7,93	B	-	3/4	2 3/8	3 1/2	1 1/8	0,284	5,84	PHS 40-1B48
1/2	49	8,09	A	23/32	-	-	-	-	0,284	3,44	PHS 40-1A49
		8,09	B	-	3/4	2 3/8	3 1/2	1 1/8	0,284	5,90	PHS 40-1B49
1/2	50	8,25	A	23/32	-	-	-	-	0,284	3,62	PHS 40-1A50
		8,25	B	-	3/4	2 3/8	3 1/2	1 1/8	0,284	5,96	PHS 40-1B50
1/2	51	8,41	A	23/32	-	-	-	-	0,284	3,94	PHS 40-1A51
		8,41	B	-	3/4	2 3/8	3 1/2	1 1/8	0,284	6,08	PHS 40-1B51
1/2	52	8,57	A	23/32	-	-	-	-	0,284	4,08	PHS 40-1A52
		8,57	B	-	3/4	2 3/8	3 1/2	1 1/8	0,284	6,28	PHS 40-1B52
1/2	53	8,73	A	23/32	-	-	-	-	0,284	4,04	PHS 40-1A53
		8,73	B	-	3/4	2 3/8	3 1/2	1 1/8	0,284	6,33	PHS 40-1B53
1/2	54	8,89	A	23/32	-	-	-	-	0,284	4,44	PHS 40-1A54
		8,89	B	-	3/4	2 3/8	3 1/2	1 1/8	0,284	6,42	PHS 40-1B54
1/2	55	9,04	A	23/32	-	-	-	-	0,284	4,54	PHS 40-1A55
		9,04	B	-	3/4	2 3/8	3 1/2	1 1/8	0,284	6,46	PHS 40-1B55
1/2	56	9,20	A	23/32	-	-	-	-	0,284	4,84	PHS 40-1A56

Maximum bores can accommodate standard keyways. Larger bores are available where a shallow keyway is used or no keyway is required. For sprockets with hardened teeth, add "H" before the number of teeth, e.g. PHS 25-1BH9.

ANSI sprockets, simplex, pilot bore

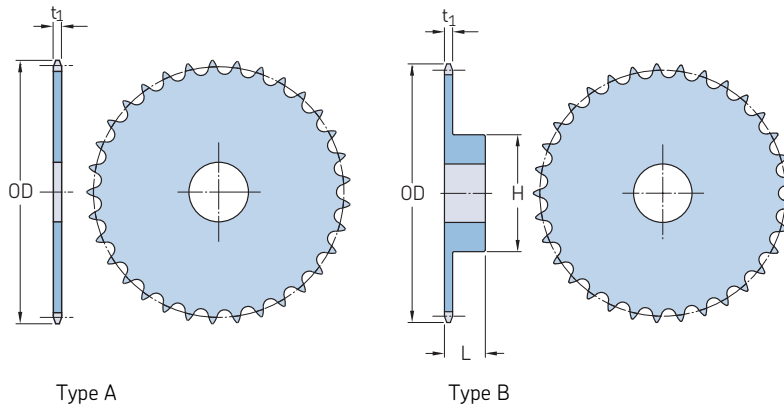
ANSI 40-1 · 1/2 in. pitch | ANSI 50-1 · 5/8 in. pitch

Pitch	Number of teeth	Outside diameter OD	Type	Dimensions Bore stock	Bore		Hub		Plate thickness t ₁	Mass lbs.	Designation
					Min.	Max.	H	L			
in.	–	in.	–	in.						–	
1/2	56	9.20	B	–	3/4	2 3/8	3 1/2	1 1/8	0,284	6,89	PHS 40-1B56
1/2	57	9.36	A	23/32	–	–	–	–	0,284	5,00	PHS 40-1A57
		9.36	B	–	3/4	2 3/8	3 1/2	1 1/8	0,284	7,02	PHS 40-1B57
1/2	58	9.52	A	23/32	–	–	–	–	0,284	5,12	PHS 40-1A58
		9.52	B	–	3/4	2 3/8	3 1/2	1 1/8	0,284	7,36	PHS 40-1B58
1/2	59	9.68	A	23/32	–	–	–	–	0,284	5,30	PHS 40-1A59
		9.68	B	–	3/4	2 3/8	3 1/2	1 1/8	0,284	7,45	PHS 40-1B59
1/2	60	9.84	A	23/32	–	–	–	–	0,284	5,48	PHS 40-1A60
		9.84	B	–	3/4	2 3/8	3 1/2	1 1/8	0,284	7,86	PHS 40-1B60
1/2	70	11.43	A	23/32	–	–	–	–	0,284	7,24	PHS 40-1A70
		11.43	B	–	3/4	2 3/4	4	1 1/4	0,284	11,00	PHS 40-1B70
1/2	72	11.75	A	23/32	–	–	–	–	0,284	7,74	PHS 40-1A72
		11.75	B	–	3/4	2 3/4	4	1 1/4	0,284	11,50	PHS 40-1B72
1/2	80	13.03	A	23/32	–	–	–	–	0,284	10,20	PHS 40-1A80
		13.03	B	–	3/4	2 3/4	4	1 1/4	0,284	13,40	PHS 40-1B80
1/2	84	13.66	A	23/32	–	–	–	–	0,284	10,07	PHS 40-1A84
		13.66	B	–	3/4	2 3/4	4	1 1/4	0,284	14,04	PHS 40-1B84
1/2	96	15.57	A	15/16	–	–	–	–	0,284	12,15	PHS 40-1A96
		15.57	B	–	1	2 3/4	4	1 1/4	0,284	17,56	PHS 40-1B96
1/2	112	18.12	A	15/16	–	–	–	–	0,284	20,00	PHS 40-1A112
		18.12	B	–	1	2 3/4	4	1 1/4	0,284	22,56	PHS 40-1B112
5/8	8	1.88	B	–	5/8	5/8	1 1/8	1	0,343	0,25	PHS 50-1B8
5/8	9	2.09	B	–	5/8	3/4	1 3/8	1	0,343	0,36	PHS 50-1B9
5/8	10	2.30	B	–	5/8	7/8	1 9/16	1	0,343	0,48	PHS 50-1B10
5/8	11	2.50	B	–	5/8	1	1 3/4	1	0,343	0,64	PHS 50-1B11
5/8	12	2.71	A	5/8	–	–	–	–	0,343	0,34	PHS 50-1A12
		2.71	B	–	5/8	1 1/4	1 63/64	1	0,343	0,83	PHS 50-1B12
5/8	13	2.91	A	5/8	–	–	–	–	0,343	0,42	PHS 50-1A13
		2.91	B	–	5/8	1 5/16	1 7/8	1	0,343	0,88	PHS 50-1B13
5/8	14	3.11	A	5/8	–	–	–	–	0,343	0,50	PHS 50-1A14
		3.11	B	–	5/8	1 7/16	2 1/8	1	0,343	1,13	PHS 50-1B14
5/8	15	3.32	A	5/8	–	–	–	–	0,343	0,54	PHS 50-1A15
		3.32	B	–	5/8	1 1/2	2 3/8	1	0,343	1,34	PHS 50-1B15
5/8	16	3.52	A	5/8	–	–	–	–	0,343	0,68	PHS 50-1A16
		3.52	B	–	5/8	1 3/4	2 1/2	1	0,343	1,51	PHS 50-1B16
5/8	17	3.72	A	5/8	–	–	–	–	0,343	0,76	PHS 50-1A17
		3.72	B	–	5/8	1 7/8	2 11/16	1	0,343	1,74	PHS 50-1B17
5/8	18	3.92	A	5/8	–	–	–	–	0,343	0,86	PHS 50-1A18
		3.92	B	–	5/8	1 7/8	2 7/8	1	0,343	2,00	PHS 50-1B18
5/8	19	4.12	A	5/8	–	–	–	–	0,343	0,94	PHS 50-1A19
		4.12	B	–	5/8	2	3	1	0,343	2,22	PHS 50-1B19
5/8	20	4.32	A	3/4	–	–	–	–	0,343	1,06	PHS 50-1A20
		4.32	B	–	3/4	2	3	1	0,343	2,28	PHS 50-1B20
5/8	21	4.52	A	3/4	–	–	–	–	0,343	1,12	PHS 50-1A21
		4.52	B	–	3/4	2	3	1	0,343	2,40	PHS 50-1B21
5/8	22	4.72	A	3/4	–	–	–	–	0,343	1,30	PHS 50-1A22
		4.72	B	–	3/4	2	3	1	0,343	2,56	PHS 50-1B22
5/8	23	4.92	A	3/4	–	–	–	–	0,343	1,44	PHS 50-1A23
		4.92	B	–	3/4	2	3	1	0,343	2,66	PHS 50-1B23
5/8	24	5.12	A	23/32	–	–	–	–	0,343	1,50	PHS 50-1A24
		5.12	B	–	3/4	2	3	1 1/4	0,343	3,30	PHS 50-1B24
5/8	25	5.32	A	23/32	–	–	–	–	0,343	1,62	PHS 50-1A25
		5.32	B	–	3/4	2	3	1 1/4	0,343	3,40	PHS 50-1B25
5/8	26	5.52	A	23/32	–	–	–	–	0,343	1,72	PHS 50-1A26
		5.52	B	–	3/4	2	3	1 1/4	0,343	3,44	PHS 50-1B26
5/8	27	5.72	A	23/32	–	–	–	–	0,343	1,96	PHS 50-1A27
		5.72	B	–	3/4	2	3	1 1/4	0,343	3,74	PHS 50-1B27

Maximum bores can accommodate standard keyways. Larger bores are available where a shallow keyway is used or no keyway is required. For sprockets with hardened teeth, add "H" before the number of teeth, e.g. PHS 25-1BH9.

ANSI sprockets, simplex, pilot bore

ANSI 50-1 · 5/8 in. pitch



Pitch	Number of teeth	Outside diameter OD	Type	Dimensions Bore stock	Bore		Hub		Plate thickness t_1	Mass	Designation
					Min.	Max.	H	L			
in.	-	in.	-	in.					lbs.	-	
5/8	28	5,92	A	23/32	-	-	-	-	0,343	2,04	PHS 50-1A28
		5,92	B	-	3/4	2	3	1 1/4	0,343	3,80	PHS 50-1B28
5/8	29	6,12	A	23/32	-	-	-	-	0,343	2,36	PHS 50-1A29
		6,12	B	-	3/4	2	3	1 1/4	0,343	4,06	PHS 50-1B29
5/8	30	6,32	A	23/32	-	-	-	-	0,343	2,54	PHS 50-1A30
		6,32	B	-	3/4	2 1/4	3 1/4	1 1/4	0,343	4,56	PHS 50-1B30
5/8	31	6,52	A	23/32	-	-	-	-	0,343	2,80	PHS 50-1A31
		6,52	B	-	3/4	2 1/4	3 1/4	1 1/4	0,343	4,74	PHS 50-1B31
5/8	32	6,72	A	23/32	-	-	-	-	0,343	2,72	PHS 50-1A32
		6,72	B	-	3/4	2 1/4	3 1/4	1 1/4	0,343	4,96	PHS 50-1B32
5/8	33	6,92	A	23/32	-	-	-	-	0,343	3,14	PHS 50-1A33
		6,92	B	-	3/4	2 1/4	3 1/4	1 1/4	0,343	5,20	PHS 50-1B33
5/8	34	7,12	A	23/32	-	-	-	-	0,343	3,20	PHS 50-1A34
		7,12	B	-	3/4	2 1/4	3 1/4	1 1/4	0,343	5,14	PHS 50-1B34
5/8	35	7,32	A	23/32	-	-	-	-	0,343	3,34	PHS 50-1A35
		7,32	B	-	3/4	2 1/4	3 1/4	1 1/4	0,343	5,44	PHS 50-1B35
5/8	36	7,52	A	23/32	-	-	-	-	0,343	3,82	PHS 50-1A36
		7,52	B	-	3/4	2 1/4	3 1/4	1 1/4	0,343	5,64	PHS 50-1B36
5/8	37	7,72	A	23/32	-	-	-	-	0,343	3,98	PHS 50-1A37
		7,72	B	-	3/4	2 1/4	3 1/4	1 1/4	0,343	5,90	PHS 50-1B37
5/8	38	7,92	A	23/32	-	-	-	-	0,343	4,14	PHS 50-1A38
		7,92	B	-	3/4	2 1/4	3 1/4	1 1/4	0,343	6,08	PHS 50-1B38
5/8	39	8,12	A	23/32	-	-	-	-	0,343	4,42	PHS 50-1A39
		8,12	B	-	3/4	2 1/4	3 1/4	1 1/4	0,343	6,30	PHS 50-1B39
5/8	40	8,32	A	23/32	-	-	-	-	0,343	4,46	PHS 50-1A40
		8,32	B	-	3/4	2 1/4	3 1/4	1 1/4	0,343	6,50	PHS 50-1B40
5/8	41	8,52	A	23/32	-	-	-	-	0,343	4,86	PHS 50-1A41
		8,52	B	-	3/4	2 1/4	3 1/4	1 1/4	0,343	6,64	PHS 50-1B41
5/8	42	8,72	A	23/32	-	-	-	-	0,343	4,98	PHS 50-1A42
		8,72	B	-	3/4	2 1/4	3 1/4	1 1/4	0,343	6,96	PHS 50-1B42
5/8	43	8,91	A	23/32	-	-	-	-	0,343	5,24	PHS 50-1A43
		8,91	B	-	3/4	2 1/4	3 1/4	1 1/4	0,343	7,06	PHS 50-1B43
5/8	44	9,11	A	23/32	-	-	-	-	0,343	5,42	PHS 50-1A44
		9,11	B	-	3/4	2 1/4	3 1/4	1 1/4	0,343	7,58	PHS 50-1B44
5/8	45	9,31	A	23/32	-	-	-	-	0,343	5,92	PHS 50-1A45
		9,31	B	-	3/4	2 1/2	3 3/4	1 1/4	0,343	8,58	PHS 50-1B45
5/8	46	9,51	A	15/16	-	-	-	-	0,343	6,42	PHS 50-1A46
		9,51	B	-	1	2 1/2	3 3/4	1 1/4	0,343	8,22	PHS 50-1B46
5/8	47	9,71	A	15/16	-	-	-	-	0,343	6,50	PHS 50-1A47
		9,71	B	-	1	2 1/2	3 3/4	1 1/4	0,343	8,48	PHS 50-1B47
5/8	48	9,91	A	15/16	-	-	-	-	0,343	6,58	PHS 50-1A48
		9,91	B	-	1	2 1/2	3 3/4	1 1/4	0,343	9,28	PHS 50-1B48
5/8	49	10,11	A	15/16	-	-	-	-	0,343	7,06	PHS 50-1A49

Maximum bores can accommodate standard keyways. Larger bores are available where a shallow keyway is used or no keyway is required. For sprockets with hardened teeth, add "H" before the number of teeth, e.g. PHS 25-1BH9.

ANSI sprockets, simplex, pilot bore

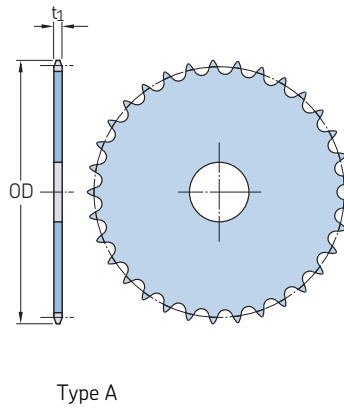
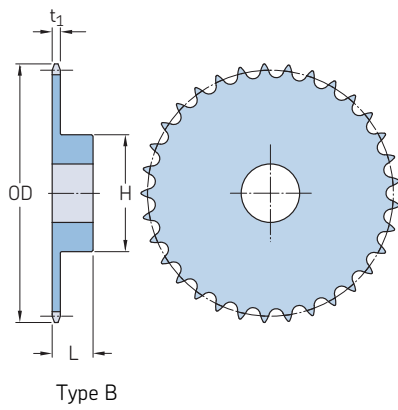
ANSI 50-1 · 5/8 in. pitch | ANSI 60-1 · 3/4 in. pitch

Pitch	Number of teeth	Outside diameter OD	Type	Dimensions Bore stock	Bore		Hub		Plate thickness t ₁	Mass	Designation
					Min.	Max.	H	L			
in.	–	in.	–	in.					lbs.	–	
5/8	49	10,11	B	–	1	2 1/2	3 3/4	1 1/4	0,343	9,22	PHS 50-1B49
5/8	50	10,31	A	15/16	–	–	–	–	0,343	7,10	PHS 50-1A50
		10,31	B	–	1	2 1/2	3 3/4	1 1/4	0,343	9,88	PHS 50-1B50
5/8	51	10,51	A	15/16	–	–	–	–	0,343	7,32	PHS 50-1A51
		10,51	B	–	1	2 1/2	3 3/4	1 1/4	0,343	9,70	PHS 50-1B51
5/8	52	10,71	A	15/16	–	–	–	–	0,343	7,98	PHS 50-1A52
		10,71	B	–	1	2 1/2	3 3/4	1 1/4	0,343	10,24	PHS 50-1B52
5/8	53	10,91	A	15/16	–	–	–	–	0,343	8,08	PHS 50-1A53
		10,91	B	–	1	2 1/2	3 3/4	1 1/4	0,343	10,48	PHS 50-1B53
5/8	54	11,11	A	15/16	–	–	–	–	0,343	8,30	PHS 50-1A54
		11,11	B	–	1	2 1/2	3 3/4	1 1/4	0,343	11,00	PHS 50-1B54
5/8	55	11,31	A	15/16	–	–	–	–	0,343	8,56	PHS 50-1A55
		11,31	B	–	1	2 1/2	3 3/4	1 1/4	0,343	10,93	PHS 50-1B55
5/8	56	11,50	A	15/16	–	–	–	–	0,343	8,90	PHS 50-1A56
		11,50	B	–	1	2 1/2	3 3/4	1 1/4	0,343	11,50	PHS 50-1B56
5/8	57	11,70	A	15/16	–	–	–	–	0,343	9,38	PHS 50-1A57
		11,70	B	–	1	2 1/2	3 3/4	1 1/4	0,343	12,00	PHS 50-1B57
5/8	58	11,90	A	15/16	–	–	–	–	0,343	10,30	PHS 50-1A58
		11,90	B	–	1	2 1/2	3 3/4	1 1/4	0,343	11,82	PHS 50-1B58
5/8	59	12,10	A	15/16	–	–	–	–	0,343	10,50	PHS 50-1A59
		12,10	B	–	1	2 1/2	3 3/4	1 1/4	0,343	12,32	PHS 50-1B59
5/8	60	12,30	A	15/16	–	–	–	–	0,343	10,80	PHS 50-1A60
		12,30	B	–	1	2 1/2	3 3/4	1 1/4	0,343	13,00	PHS 50-1B60
5/8	70	14,29	A	15/16	–	–	–	–	0,343	14,00	PHS 50-1A70
		14,29	B	–	1	2 1/2	3 3/4	1 3/4	0,343	18,16	PHS 50-1B70
5/8	72	14,69	A	15/16	–	–	–	–	0,343	15,24	PHS 50-1A72
		14,69	B	–	1	2 1/2	3 3/4	1 3/4	0,343	19,48	PHS 50-1B72
5/8	76	15,49	A	15/16	–	–	–	–	0,343	20,08	PHS 50-1A76
		15,49	B	–	1	2 1/2	3 3/4	1 3/4	0,343	21,00	PHS 50-1B76
5/8	80	16,28	A	15/16	–	–	–	–	0,343	21,00	PHS 50-1A80
		16,28	B	–	1	2 3/4	4 1/4	1 3/4	0,343	24,74	PHS 50-1B80
5/8	84	17,08	A	15/16	–	–	–	–	0,343	22,08	PHS 50-1A84
		17,08	B	–	1	2 3/4	4 1/4	1 3/4	0,343	25,50	PHS 50-1B84
5/8	95	19,27	A	15/16	–	–	–	–	0,343	27,00	PHS 50-1A95
		19,27	B	–	1	2 3/4	4 1/4	1 3/4	0,343	32,00	PHS 50-1B95
5/8	96	19,47	A	15/16	–	–	–	–	0,343	27,40	PHS 50-1A96
		19,47	B	–	1	2 3/4	4 1/4	1 3/4	0,343	32,92	PHS 50-1B96
5/8	112	22,65	A	15/16	–	–	–	–	0,343	37,70	PHS 50-1A112
		22,65	B	–	1	2 3/4	4 1/4	1 3/4	0,343	42,00	PHS 50-1B112
3/4	8	2,26	B	–	5/8	5/8	1 15/32	1 1/4	0,459	0,54	PHS 60-1B8
3/4	9	2,51	B	–	3/4	7/8	1 9/16	1 1/4	0,459	0,64	PHS 60-1B9
3/4	10	2,76	A	3/4	–	–	–	–	0,459	0,44	PHS 60-1A10
		2,76	B	–	3/4	1 1/8	1 15/16	1 1/4	0,459	0,99	PHS 60-1B10
3/4	11	3,00	A	3/4	–	–	–	–	0,459	0,54	PHS 60-1A11
		3,00	B	–	3/4	1 5/16	2 1/16	1 1/4	0,459	1,16	PHS 60-1B11
3/4	12	3,25	A	3/4	–	–	–	–	0,459	0,68	PHS 60-1A12
		3,25	B	–	3/4	1 3/8	2 3/8	1 1/4	0,459	1,47	PHS 60-1B12
3/4	13	3,49	A	3/4	–	–	–	–	0,459	0,80	PHS 60-1A13
		3,49	B	–	3/4	1 1/2	2 11/32	1 1/4	0,459	1,66	PHS 60-1B13
3/4	14	3,74	A	3/4	–	–	–	–	0,459	0,94	PHS 60-1A14
		3,74	B	–	3/4	1 3/4	2 9/16	1 1/4	0,459	2,00	PHS 60-1B14
3/4	15	3,98	A	3/4	–	–	–	–	0,459	1,08	PHS 60-1A15
		3,98	B	–	3/4	1 7/8	2 7/8	1 1/4	0,459	2,51	PHS 60-1B15
3/4	16	4,22	A	3/4	–	–	–	–	0,459	1,24	PHS 60-1A16
		4,22	B	–	3/4	2	3 1/16	1 1/4	0,459	2,81	PHS 60-1B16
3/4	17	4,46	A	3/4	–	–	–	–	0,459	1,44	PHS 60-1A17
		4,46	B	–	3/4	2 1/4	3 1/4	1 1/4	0,459	3,22	PHS 60-1B17
3/4	18	4,70	A	3/4	–	–	–	–	0,459	1,62	PHS 60-1A18

Maximum bores can accommodate standard keyways. Larger bores are available where a shallow keyway is used or no keyway is required. For sprockets with hardened teeth, add "H" before the number of teeth, e.g. PHS 25-1BH9.

ANSI sprockets, simplex, pilot bore

ANSI 60-1 · 3/4 in. pitch



Pitch	Number of teeth	Outside diameter	Type	Dimensions Bore stock	Bore		Hub		Plate thickness	Mass	Designation
					Min.	Max.	H	L			
in.	-	in.	-	in.					t ₁	lbs.	-
3/4	18	4,70	B	-	3/4	2 3/8	3 1/2	1 1/4	0,459	3,72	PHS 60-1B18
3/4	19	4,95	A	3/4	-	-	-	-	0,459	1,84	PHS 60-1A19
		4,95	B	-	3/4	2 3/8	3 1/2	1 1/4	0,459	3,92	PHS 60-1B19
3/4	20	5,19	A	3/4	-	-	-	-	0,459	2,12	PHS 60-1A20
		5,19	B	-	3/4	2 5/8	3 7/8	1 1/4	0,459	4,63	PHS 60-1B20
3/4	21	5,43	A	3/4	-	-	-	-	0,459	2,28	PHS 60-1A21
		5,43	B	-	3/4	2 3/4	4	1 1/4	0,459	5,00	PHS 60-1B21
3/4	22	5,67	A	3/4	-	-	-	-	0,459	2,48	PHS 60-1A22
		5,67	B	-	3/4	2 3/4	4	1 1/4	0,459	5,25	PHS 60-1B22
3/4	23	5,91	A	3/4	-	-	-	-	0,459	2,68	PHS 60-1A23
		5,91	B	-	3/4	2 3/4	4	1 1/4	0,459	5,48	PHS 60-1B23
3/4	24	6,15	A	23/32	-	-	-	-	0,459	3,00	PHS 60-1A24
		6,15	B	-	3/4	2 3/4	4	1 1/4	0,459	5,78	PHS 60-1B24
3/4	25	6,39	A	23/32	-	-	-	-	0,459	3,34	PHS 60-1A25
		6,39	B	-	3/4	2 3/4	4	1 1/4	0,459	6,13	PHS 60-1B25
3/4	26	6,63	A	23/32	-	-	-	-	0,459	3,54	PHS 60-1A26
		6,63	B	-	3/4	2 3/4	4	1 1/4	0,459	6,38	PHS 60-1B26
3/4	27	6,87	A	23/32	-	-	-	-	0,459	3,96	PHS 60-1A27
		6,87	B	-	3/4	2 3/4	4	1 1/4	0,459	6,72	PHS 60-1B27
3/4	28	7,11	A	23/32	-	-	-	-	0,459	4,14	PHS 60-1A28
		7,11	B	-	3/4	2 3/4	4	1 1/4	0,459	6,88	PHS 60-1B28
3/4	29	7,35	A	23/32	-	-	-	-	0,459	4,40	PHS 60-1A29
		7,35	B	-	3/4	2 3/4	4	1 1/4	0,459	7,28	PHS 60-1B29
3/4	30	7,59	A	23/32	-	-	-	-	0,459	4,78	PHS 60-1A30
		7,59	B	-	3/4	2 3/4	4	1 1/4	0,459	7,58	PHS 60-1B30
3/4	31	7,83	A	23/32	-	-	-	-	0,459	5,24	PHS 60-1A31
		7,83	B	-	3/4	2 3/4	4	1 1/4	0,459	7,72	PHS 60-1B31
3/4	32	8,07	A	23/32	-	-	-	-	0,459	5,52	PHS 60-1A32
		8,07	B	-	3/4	2 3/4	4	1 1/4	0,459	8,26	PHS 60-1B32
3/4	33	8,30	A	15/16	-	-	-	-	0,459	5,86	PHS 60-1A33
		8,30	B	-	1	2 3/4	4	1 1/4	0,459	8,42	PHS 60-1B33
3/4	34	8,54	A	15/16	-	-	-	-	0,459	6,16	PHS 60-1A34
		8,54	B	-	1	2 3/4	4	1 1/4	0,459	8,80	PHS 60-1B34
3/4	35	8,78	A	15/16	-	-	-	-	0,459	6,78	PHS 60-1A35
		8,78	B	-	1	2 3/4	4	1 1/4	0,459	9,04	PHS 60-1B35
3/4	36	9,02	A	15/16	-	-	-	-	0,459	6,82	PHS 60-1A36
		9,02	B	-	1	2 3/4	4	1 1/4	0,459	9,60	PHS 60-1B36
3/4	37	9,26	A	15/16	-	-	-	-	0,459	7,52	PHS 60-1A37
		9,26	B	-	1	2 3/4	4	1 1/4	0,459	10,24	PHS 60-1B37
3/4	38	9,50	A	15/16	-	-	-	-	0,459	7,84	PHS 60-1A38
		9,50	B	-	1	2 3/4	4 1/4	1 1/4	0,459	10,84	PHS 60-1B38
3/4	39	9,74	A	15/16	-	-	-	-	0,459	8,28	PHS 60-1A39
		9,74	B	-	1	2 3/4	4 1/4	1 1/4	0,459	11,36	PHS 60-1B39

Maximum bores can accommodate standard keyways. Larger bores are available where a shallow keyway is used or no keyway is required. For sprockets with hardened teeth, add "H" before the number of teeth, e.g. PHS 25-1BH9.

ANSI sprockets, simplex, pilot bore

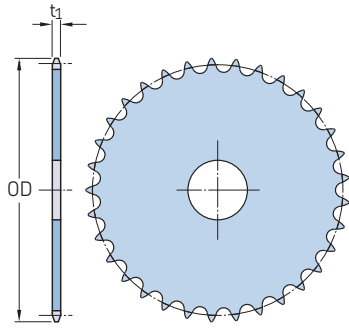
ANSI 60-1 · 3/4 in. pitch

Pitch	Number of teeth	Outside diameter OD	Type	Dimensions Bore stock	Bore		Hub		Plate thickness t ₁	Mass	Designation
					Min.	Max.	H	L			
in.	–	in.	–	in.					lbs.	–	
3/4	40	9,98	A	15/16	–	–	–	–	0,459	8,56	PHS 60-1A40
		9,98	B	–	1	2 3/4	4 1/4	1 3/4	0,459	11,50	PHS 60-1B40
3/4	41	10,22	A	15/16	–	–	–	–	0,459	9,10	PHS 60-1A41
		10,22	B	–	1	2 3/4	4 1/4	1 3/4	0,459	12,14	PHS 60-1B41
3/4	42	10,46	A	15/16	–	–	–	–	0,459	9,84	PHS 60-1A42
		10,46	B	–	1	2 3/4	4 1/4	1 3/4	0,459	12,74	PHS 60-1B42
3/4	43	10,70	A	15/16	–	–	–	–	0,459	9,74	PHS 60-1A43
		10,70	B	–	1	2 3/4	4 1/4	1 3/4	0,459	13,00	PHS 60-1B43
3/4	44	10,94	A	15/16	–	–	–	–	0,459	10,76	PHS 60-1A44
		10,94	B	–	15/16	2 3/4	4 1/4	1 3/4	0,459	13,88	PHS 60-1B44
3/4	45	11,18	A	15/16	–	–	–	–	0,459	11,08	PHS 60-1A45
		11,18	B	–	15/16	2 3/4	4 1/4	1 3/4	0,459	13,98	PHS 60-1B45
3/4	46	11,42	A	15/16	–	–	–	–	0,459	11,50	PHS 60-1A46
		11,42	B	–	15/16	2 3/4	4 1/4	1 3/4	0,459	14,60	PHS 60-1B46
3/4	47	11,65	A	15/16	–	–	–	–	0,459	12,32	PHS 60-1A47
		11,65	B	–	15/16	2 3/4	4 1/4	1 3/4	0,459	15,00	PHS 60-1B47
3/4	48	11,89	A	15/16	–	–	–	–	0,459	12,42	PHS 60-1A48
		11,89	B	–	15/16	2 3/4	4 1/4	1 3/4	0,459	15,82	PHS 60-1B48
3/4	49	12,13	A	15/16	–	–	–	–	0,459	12,92	PHS 60-1A49
		12,13	B	–	15/16	2 3/4	4 1/4	1 3/4	0,459	15,90	PHS 60-1B49
3/4	50	12,37	A	15/16	–	–	–	–	0,459	13,98	PHS 60-1A50
		12,37	B	–	15/16	2 3/4	4 1/4	1 3/4	0,459	17,66	PHS 60-1B50
3/4	51	12,61	A	15/16	–	–	–	–	0,459	14,58	PHS 60-1A51
		12,61	B	–	15/16	2 3/4	4 1/4	1 3/4	0,459	16,98	PHS 60-1B51
3/4	52	12,85	A	15/16	–	–	–	–	0,459	14,60	PHS 60-1A52
		12,85	B	–	15/16	2 3/4	4 1/4	1 3/4	0,459	17,93	PHS 60-1B52
3/4	53	13,09	A	15/16	–	–	–	–	0,459	15,84	PHS 60-1A53
		13,09	B	–	15/16	2 3/4	4 1/4	1 3/4	0,459	17,99	PHS 60-1B53
3/4	54	13,33	A	15/16	–	–	–	–	0,459	15,92	PHS 60-1A54
		13,33	B	–	15/16	2 3/4	4 1/4	1 3/4	0,459	21,60	PHS 60-1B54
3/4	55	13,57	A	1 1/4	–	–	–	–	0,459	16,96	PHS 60-1A55
		13,57	B	–	1 1/4	2 3/4	4 1/4	1 3/4	0,459	21,14	PHS 60-1B55
3/4	56	13,81	A	1 1/4	–	–	–	–	0,459	17,60	PHS 60-1A56
		13,81	B	–	1 1/4	2 3/4	4 1/4	1 3/4	0,459	21,88	PHS 60-1B56
3/4	57	14,04	A	1 1/4	–	–	–	–	0,459	17,62	PHS 60-1A57
		14,04	B	–	1 1/4	2 3/4	4 1/4	1 3/4	0,459	22,26	PHS 60-1B57
3/4	58	14,28	A	1 1/4	–	–	–	–	0,459	19,00	PHS 60-1A58
		14,28	B	–	1 1/4	2 3/4	4 1/4	1 3/4	0,459	22,80	PHS 60-1B58
3/4	59	14,52	A	1 1/4	–	–	–	–	0,459	19,20	PHS 60-1A59
		14,52	B	–	1 1/4	2 3/4	4 1/4	1 3/4	0,459	23,86	PHS 60-1B59
3/4	60	14,76	A	1 1/4	–	–	–	–	0,459	20,02	PHS 60-1A60
		14,76	B	–	1 1/4	2 3/4	4 1/4	1 3/4	0,459	25,22	PHS 60-1B60
3/4	64	15,72	A	1 1/4	–	–	–	–	0,459	23,00	PHS 60-1A64
		15,72	B	–	1 1/4	2 3/4	4 1/4	1 3/4	0,459	27,40	PHS 60-1B64
3/4	65	15,96	A	1 1/4	–	–	–	–	0,459	23,24	PHS 60-1A65
		15,96	B	–	1 1/4	2 3/4	4 1/4	1 3/4	0,459	28,92	PHS 60-1B65
3/4	66	–	A	1 1/4	–	–	–	–	0,459	24,42	PHS 60-1A66
3/4	68	16,67	A	1 1/4	–	–	–	–	0,459	25,54	PHS 60-1A68
		16,67	B	–	1 1/4	2 3/4	4 1/4	1 3/4	0,459	30,38	PHS 60-1B68
3/4	70	17,15	A	1 1/4	–	–	–	–	0,459	27,20	PHS 60-1A70
		17,15	B	–	1 1/4	2 3/4	4 1/4	1 3/4	0,459	31,98	PHS 60-1B70
3/4	72	17,63	A	1 1/4	–	–	–	–	0,459	28,90	PHS 60-1A72
		17,63	B	–	1 1/4	2 3/4	4 1/4	2	0,459	34,18	PHS 60-1B72
3/4	76	18,58	A	1 1/4	–	–	–	–	0,459	32,34	PHS 60-1A76
		18,58	B	–	1 1/4	2 3/4	4 1/4	2	0,459	38,06	PHS 60-1B76
3/4	80	19,54	A	1 1/4	–	–	–	–	0,459	45,50	PHS 60-1A80
		19,54	B	–	1 1/4	2 3/4	4 1/4	2	0,459	41,88	PHS 60-1B80
3/4	84	20,49	A	1 1/4	–	–	–	–	0,459	40,18	PHS 60-1A84
		20,49	B	–	1 1/4	3 1/4	4 3/4	2	0,459	46,46	PHS 60-1B84

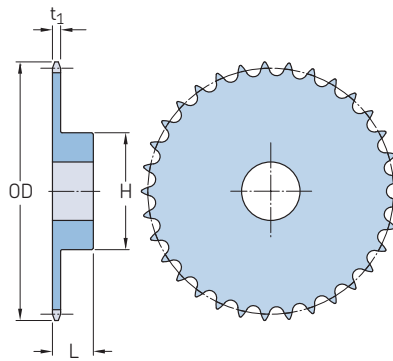
Maximum bores can accommodate standard keyways. Larger bores are available where a shallow keyway is used or no keyway is required. For sprockets with hardened teeth, add "H" before the number of teeth, e.g. PHS 25-1BH9.

ANSI sprockets, simplex, pilot bore

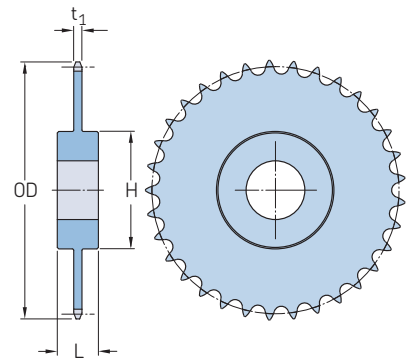
ANSI 60-1 · 3/4 in. pitch | ANSI 80-1 · 1 in. pitch



Type A



Type B



Type C

Pitch	Number of teeth	Outside diameter OD	Type	Dimensions Bore stock		Hub		Plate thickness t ₁	Mass	Designation	
				Min.	Max.	H	L				
in.	-	in.	-	in.					lbs.	-	
3/4	90	21,93	A	1 1/4	-	-	-	0,459	43,44	PHS 60-1A90	
		21,93	B	-	1 1/4	3 5/16	5	2 1/4	0,459	63,20	PHS 60-1B90
3/4	96	23,36	A	1 1/4	-	-	-	0,459	52,02	PHS 60-1A96	
		23,36	B	-	1 1/4	3 3/4	5 1/2	2 3/4	0,459	63,08	PHS 60-1B96
3/4	112	27,18	A	1 1/4	-	-	-	0,459	70,80	PHS 60-1A112	
		27,18	B	-	1 1/4	3 3/4	5 1/2	2 3/4	0,459	81,78	PHS 60-1B112
1	8	3,01	B	-	1	1	1 15/16	1 5/8	0,575	1,40	PHS 80-1B8
1	9	3,35	A	15/16	-	-	-	-	0,575	0,80	PHS 80-1A9
		3,35	B	-	1	1 5/16	2 1/4	1 5/8	0,575	1,60	PHS 80-1B9
1	10	3,68	A	15/16	-	-	-	-	0,575	1,00	PHS 80-1A10
		3,68	B	-	1	1 1/2	2 9/16	1 5/8	0,575	2,20	PHS 80-1B10
1	11	4,01	A	15/16	-	-	-	-	0,575	1,30	PHS 80-1A11
		4,01	B	-	1	1 5/8	2 13/16	1 5/8	0,575	3,20	PHS 80-1B11
1	12	4,33	A	15/16	-	-	-	-	0,575	1,50	PHS 80-1A12
		4,33	B	-	1	1 7/8	3 1/8	1 5/8	0,575	3,40	PHS 80-1B12
1	13	4,66	A	15/16	-	-	-	-	0,575	1,80	PHS 80-1A13
		4,66	B	-	1	2	3	1 1/2	0,575	3,50	PHS 80-1B13
1	14	4,98	A	15/16	-	-	-	-	0,575	2,20	PHS 80-1A14
		4,98	B	-	1	2 1/4	3 1/4	1 1/2	0,575	4,10	PHS 80-1B14
1	15	5,30	A	15/16	-	-	-	-	0,575	2,50	PHS 80-1A15
		5,30	B	-	1	2 1/2	3 13/16	1 1/2	0,575	5,30	PHS 80-1B15
1	16	5,63	A	15/16	-	-	-	-	0,575	2,90	PHS 80-1A16
		5,63	B	-	1	2 3/4	4	1 1/2	0,575	5,90	PHS 80-1B16
1	17	5,95	A	15/16	-	-	-	-	0,575	3,30	PHS 80-1A17
		5,95	B	-	1	2 3/4	4	1 1/2	0,575	6,60	PHS 80-1B17
1	18	6,27	A	15/16	-	-	-	-	0,575	3,70	PHS 80-1A18
		6,27	B	-	1	2 3/4	4 1/4	1 1/2	0,575	7,30	PHS 80-1B18
1	19	6,59	A	15/16	-	-	-	-	0,575	4,10	PHS 80-1A19
		6,59	B	-	1	2 3/4	4 1/4	1 1/2	0,575	7,80	PHS 80-1B19
1	20	6,91	A	15/16	-	-	-	-	0,575	4,70	PHS 80-1A20
		6,91	B	-	1	2 3/4	4 1/4	1 1/2	0,575	8,40	PHS 80-1B20
1	21	7,24	A	15/16	-	-	-	-	0,575	4,90	PHS 80-1A21
		7,24	B	-	1	2 3/4	4 1/4	1 3/4	0,575	9,40	PHS 80-1B21
1	22	7,56	A	15/16	-	-	-	-	0,575	5,50	PHS 80-1A22
		7,56	B	-	1	2 3/4	4 1/4	1 3/4	0,575	10,00	PHS 80-1B22
1	23	7,88	A	15/16	-	-	-	-	0,575	6,30	PHS 80-1A23
		7,88	B	-	1	2 3/4	4 1/4	1 3/4	0,575	10,70	PHS 80-1B23
1	24	8,20	A	15/16	-	-	-	-	0,575	6,70	PHS 80-1A24
		8,20	B	-	1	2 3/4	4 1/4	1 3/4	0,575	11,30	PHS 80-1B24
1	25	8,52	A	15/16	-	-	-	-	0,575	7,20	PHS 80-1A25
		8,52	B	-	1	2 3/4	4 1/4	1 3/4	0,575	11,90	PHS 80-1B25
1	26	8,84	A	1 3/16	-	-	-	-	0,575	7,80	PHS 80-1A26
		8,84	B	-	1 1/4	3 1/4	4 3/4	2	0,575	14,30	PHS 80-1B26

Maximum bores can accommodate standard keyways. Larger bores are available where a shallow keyway is used or no keyway is required. For sprockets with hardened teeth, add "H" before the number of teeth, e.g. PHS 25-1BH9.

ANSI sprockets, simplex, pilot bore

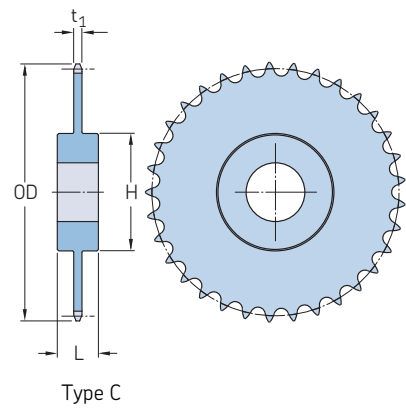
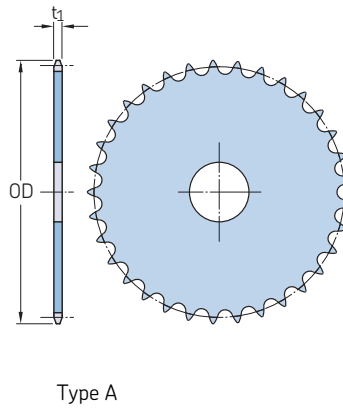
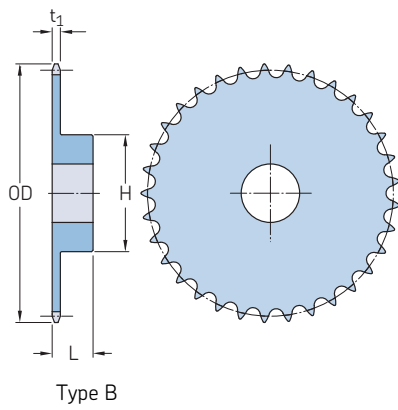
ANSI 80-1 · 1 in. pitch

Pitch	Number of teeth	Outside diameter OD	Type	Dimensions Bore stock	Bore		Hub		Plate thickness t ₁	Mass	Designation
					Min.	Max.	H	L			
in.	-	in.	-	in.					lbs.	-	
1	27	9,16	A	1 3/16	-	-	-	-	0,575	8,60	PHS 80-1A27
		9,16	B	-	1 1/4	3 1/4	4 3/4	2	0,575	15,40	PHS 80-1B27
1	28	9,48	A	1 3/16	-	-	-	-	0,575	9,30	PHS 80-1A28
		9,48	B	-	1 1/4	3 1/4	4 3/4	2	0,575	16,00	PHS 80-1B28
1	29	9,80	A	1 3/16	-	-	-	-	0,575	9,80	PHS 80-1A29
		9,80	B	-	1 3/16	3 1/4	4 3/4	2	0,575	17,10	PHS 80-1B29
1	30	10,11	A	1 3/16	-	-	-	-	0,575	10,70	PHS 80-1A30
		10,11	B	-	1 3/16	3 1/4	4 3/4	2	0,575	17,40	PHS 80-1B30
1	31	10,43	A	1 3/16	-	-	-	-	0,575	11,30	PHS 80-1A31
		10,43	B	-	1 3/16	3 1/4	4 3/4	2	0,575	18,70	PHS 80-1B31
1	32	10,75	A	1 3/16	-	-	-	-	0,575	12,10	PHS 80-1A32
		10,75	B	-	1 3/16	3 1/4	4 3/4	2	0,575	19,50	PHS 80-1B32
1	33	11,07	A	1 3/16	-	-	-	-	0,575	13,60	PHS 80-1A33
		11,07	B	-	1 3/16	3 1/4	4 3/4	2	0,575	19,60	PHS 80-1B33
1	34	11,39	A	1 3/16	-	-	-	-	0,575	14,30	PHS 80-1A34
		11,39	B	-	1 3/16	3 1/4	4 3/4	2	0,575	21,30	PHS 80-1B34
1	35	11,71	A	1 3/16	-	-	-	-	0,575	14,80	PHS 80-1A35
		11,71	B	-	1 3/16	3 1/4	4 3/4	2	0,575	22,10	PHS 80-1B35
1	36	12,03	A	1 3/16	-	-	-	-	0,575	16,10	PHS 80-1A36
		12,03	B	-	1 3/16	3 1/4	4 3/4	2	0,575	23,10	PHS 80-1B36
1	37	12,35	A	1 3/16	-	-	-	-	0,575	16,80	PHS 80-1A37
		12,35	B	-	1 3/16	3 1/4	4 3/4	2	0,575	23,80	PHS 80-1B37
1	38	12,67	A	1 3/16	-	-	-	-	0,575	17,20	PHS 80-1A38
		12,67	B	-	1 3/16	3 1/4	4 3/4	2	0,575	24,70	PHS 80-1B38
1	39	12,99	A	1 3/16	-	-	-	-	0,575	17,90	PHS 80-1A39
		12,99	B	-	1 3/16	3 1/4	4 3/4	2	0,575	25,60	PHS 80-1B39
1	40	13,31	A	1 3/16	-	-	-	-	0,575	18,90	PHS 80-1A40
		13,31	B	-	1 3/16	3 1/4	4 3/4	2	0,575	26,70	PHS 80-1B40
1	41	13,63	A	1 1/4	-	-	-	-	0,575	21,00	PHS 80-1A41
		13,63	B	-	1 1/4	3 1/4	4 3/4	2	0,575	27,80	PHS 80-1B41
1	42	13,94	A	1 1/4	-	-	-	-	0,575	21,80	PHS 80-1A42
		13,94	B	-	1 1/4	3 1/4	4 3/4	2	0,575	28,70	PHS 80-1B42
1	43	14,26	A	1 1/4	-	-	-	-	0,575	23,60	PHS 80-1A43
		14,26	B	-	1 1/4	3 1/4	4 3/4	2	0,575	29,40	PHS 80-1B43
1	44	14,58	A	1 1/4	-	-	-	-	0,575	24,30	PHS 80-1A44
		14,58	B	-	1 1/4	3 1/4	4 3/4	2	0,575	29,90	PHS 80-1B44
1	45	14,90	A	1 1/4	-	-	-	-	0,575	25,20	PHS 80-1A45
		14,90	B	-	1 1/4	3 1/4	4 3/4	2	0,575	31,40	PHS 80-1B45
1	46	15,22	A	1 1/4	-	-	-	-	0,575	26,60	PHS 80-1A46
		15,22	B	-	1 1/4	3 1/4	4 3/4	2	0,575	33,10	PHS 80-1B46
1	47	15,54	A	1 1/4	-	-	-	-	0,575	26,40	PHS 80-1A47
		15,54	B	-	1 1/4	3 1/4	4 3/4	2	0,575	34,00	PHS 80-1B47
1	48	15,86	A	1 1/4	-	-	-	-	0,575	27,80	PHS 80-1A48
		15,86	B	-	1 1/4	3 1/4	4 3/4	2	0,575	35,50	PHS 80-1B48
1	49	16,18	A	1 1/4	-	-	-	-	0,575	28,90	PHS 80-1A49
		16,18	B	-	1 1/4	3 1/4	4 3/4	2	0,575	35,80	PHS 80-1B49
1	50	16,50	A	1 1/4	-	-	-	-	0,575	30,90	PHS 80-1A50
		16,50	B	-	1 1/4	3 1/4	4 3/4	2	0,575	37,30	PHS 80-1B50
1	51	16,81	A	1 1/4	-	-	-	-	0,575	32,20	PHS 80-1A51
		16,81	B	-	1 1/4	3 1/4	4 3/4	2	0,575	38,60	PHS 80-1B51
1	52	17,13	A	1 1/4	-	-	-	-	0,575	33,00	PHS 80-1A52
		17,13	B	-	1 1/4	3 1/4	4 3/4	2	0,575	39,40	PHS 80-1B52
1	53	17,45	A	1 1/4	-	-	-	-	0,575	34,90	PHS 80-1A53
		17,45	B	-	1 1/4	3 1/4	4 3/4	2	0,575	41,30	PHS 80-1B53
1	54	17,77	A	1 1/4	-	-	-	-	0,575	36,60	PHS 80-1A54
		17,77	B	-	1 1/4	3 1/2	5 1/4	2	0,575	44,70	PHS 80-1B54
1	55	18,09	A	1 1/4	-	-	-	-	0,575	37,50	PHS 80-1A55
		18,09	B	-	1 1/4	3 1/2	5 1/4	2	0,575	45,60	PHS 80-1B55
1	56	18,41	A	1 1/4	-	-	-	-	0,575	39,40	PHS 80-1A56

Maximum bores can accommodate standard keyways. Larger bores are available where a shallow keyway is used or no keyway is required. For sprockets with hardened teeth, add "H" before the number of teeth, e.g. PHS 25-1BH9.

ANSI sprockets, simplex, pilot bore

ANSI 80-1 · 1 in. pitch | ANSI 100-1 · 1 1/4 in. pitch



Pitch	Number of teeth	Outside diameter OD	Type	Dimensions Bore stock	Bore		Hub		Plate thickness t ₁	Mass lbs.	Designation
					Min.	Max.	H	L			
in.	-	in.	-	in.							-
1	56	18,41	B	-	1 1/4	3 1/2	5 1/4	2	0,575	47,50	PHS 80-1B56
1	57	18,73	A	1 1/4	-	-	-	-	0,575	40,40	PHS 80-1A57
		18,73	B	-	1 1/4	3 1/2	5 1/4	2	0,575	48,50	PHS 80-1B57
1	58	19,04	A	1 1/4	-	-	-	-	0,575	41,30	PHS 80-1A58
		19,04	B	-	1 1/4	3 1/2	5 1/4	2	0,575	50,50	PHS 80-1B58
1	59	19,36	A	1 1/4	-	-	-	-	0,575	42,90	PHS 80-1A59
		19,36	B	-	1 1/4	3 1/2	5 1/4	2	0,575	52,10	PHS 80-1B59
1	60	19,68	A	1 1/4	-	-	-	-	0,575	45,30	PHS 80-1A60
		19,68	B	-	1 1/4	3 1/2	5 1/4	2	0,575	54,50	PHS 80-1B60
1	65	21,27	A	1 1/4	-	-	-	-	0,575	52,20	PHS 80-1A65
		21,27	B	-	1 1/4	3 1/2	5 1/4	2	0,575	61,80	PHS 80-1B65
1	70	22,87	A	1 1/2	-	-	-	-	0,575	59,80	PHS 80-1A70
		22,87	C	-	1 1/2	4 1/4	6 1/4	3 1/2	0,575	75,70	PHS 80-1C70
1	72	23,50	A	1 1/2	-	-	-	-	0,575	65,70	PHS 80-1A72
		23,50	C	-	1 1/2	4 1/4	6 1/4	3 1/2	0,575	81,40	PHS 80-1C72
1	76	24,78	A	1 1/2	-	-	-	-	0,575	70,20	PHS 80-1A76
		24,78	C	-	1 1/2	4 1/4	6 1/4	3 1/2	0,575	87,80	PHS 80-1C76
1	80	26,05	A	1 1/2	-	-	-	-	0,575	79,60	PHS 80-1A80
		26,05	C	-	1 1/2	4 1/4	6 1/4	3 1/2	0,575	89,90	PHS 80-1C80
1	84	27,33	A	1 1/2	-	-	-	-	0,575	86,10	PHS 80-1A84
		27,33	C	-	1 1/2	4 1/4	6 1/4	3 1/2	0,575	99,20	PHS 80-1C84
1	90	29,24	A	1 1/2	-	-	-	-	0,575	101,00	PHS 80-1A90
		29,24	C	-	1 1/2	4 1/4	6 1/4	3 1/2	0,575	106,00	PHS 80-1C90
1	96	31,15	A	1 1/2	-	-	-	-	0,575	120,00	PHS 80-1A96
		31,15	C	-	1 1/2	4 1/4	6 1/4	3 1/2	0,575	117,00	PHS 80-1C96
1	112	36,24	A	1 1/2	-	-	-	-	0,575	165,00	PHS 80-1A112
		36,24	C	-	1 1/2	4 1/4	6 1/4	3 1/2	0,575	154,00	PHS 80-1C112
1 1/4	7	3,35	A	1	-	-	-	-	0,692	1,20	PHS 100-1A7
1 1/4	8	3,77	A	1	-	-	-	-	0,692	1,40	PHS 100-1A8
		3,77	B	-	1	1 1/4	2 7/16	1 7/8	0,692	2,30	PHS 100-1B8
1 1/4	9	4,18	A	1	-	-	-	-	0,692	1,60	PHS 100-1A9
		4,18	B	-	1	1 5/8	2 13/16	1 7/8	0,692	3,20	PHS 100-1B9
1 1/4	10	4,60	A	1	-	-	-	-	0,692	2,00	PHS 100-1A10
		4,60	B	-	1	1 7/8	3 1/4	1 7/8	0,692	4,10	PHS 100-1B10
1 1/4	11	5,01	A	1 1/4	-	-	-	-	0,692	2,50	PHS 100-1A11
		5,01	B	-	1	2 1/4	3 9/16	1 7/8	0,692	5,30	PHS 100-1B11
1 1/4	12	5,42	A	1 1/4	-	-	-	-	0,692	3,00	PHS 100-1A12
		5,42	B	-	1	2 1/4	4	1 7/8	0,692	6,40	PHS 100-1B12
1 1/4	13	5,82	A	1 1/4	-	-	-	-	0,692	3,50	PHS 100-1A13
		5,82	B	-	1	2 3/8	3 7/8	1 5/8	0,692	6,60	PHS 100-1B13
1 1/4	14	6,23	A	1 1/4	-	-	-	-	0,692	4,10	PHS 100-1A14
		6,23	B	-	1 1/4	2 3/4	4 3/16	1 5/8	0,692	7,40	PHS 100-1B14

Maximum bores can accommodate standard keyways. Larger bores are available where a shallow keyway is used or no keyway is required. For sprockets with hardened teeth, add "H" before the number of teeth, e.g. PHS 25-1BH9.

ANSI sprockets, simplex, pilot bore

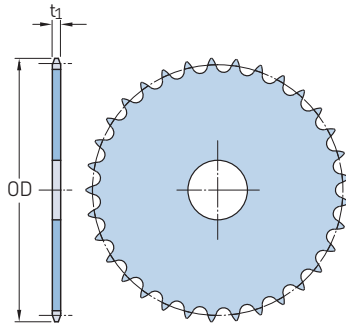
ANSI 100-1 · 1 1/4 in. pitch

Pitch	Number of teeth	Outside diameter OD	Type	Dimensions Bore stock	Bore		Hub		Plate thickness t ₁	Mass lbs.	Designation
					Min.	Max.	H	L			
in.	-	in.	-	in.							-
1 1/4	15	6,63	A	1 1/4	-	-	-	-	0,692	4,70	PHS 100-1A15 PHS 100-1B15
		6,63	B	-	1 1/4	3	4 1/2	1 3/4	0,692	9,20	
1 1/4	16	7,03	A	1 1/4	-	-	-	-	0,692	5,40	PHS 100-1A16 PHS 100-1B16
		7,03	B	-	1 5/16	3	4 1/2	1 3/4	0,692	9,90	
1 1/4	17	7,44	A	1 1/4	-	-	-	-	0,692	6,10	PHS 100-1A17 PHS 100-1B17
		7,44	B	-	1 5/16	3	4 1/2	1 3/4	0,692	10,80	
1 1/4	18	7,84	A	1 1/4	-	-	-	-	0,692	7,00	PHS 100-1A18 PHS 100-1B18
		7,84	B	-	1 5/16	3	4 1/2	1 3/4	0,692	11,50	
1 1/4	19	8,24	A	1 1/4	-	-	-	-	0,692	7,80	PHS 100-1A19 PHS 100-1B19
		8,24	B	-	1 5/16	3	4 1/2	2	0,692	13,10	
1 1/4	20	8,64	A	1 1/4	-	-	-	-	0,692	8,80	PHS 100-1A20 PHS 100-1B20
		8,64	B	-	1 5/16	3	4 1/2	2	0,692	14,20	
1 1/4	21	9,04	A	1 1/4	-	-	-	-	0,692	9,80	PHS 100-1A21 PHS 100-1B21
		9,04	B	-	1 5/16	3	4 1/2	2	0,692	15,30	
1 1/4	22	9,44	A	1 1/4	-	-	-	-	0,692	10,50	PHS 100-1A22 PHS 100-1B22
		9,44	B	-	1 5/16	3	4 1/2	2	0,692	16,10	
1 1/4	23	9,84	A	1 1/4	-	-	-	-	0,692	11,80	PHS 100-1A23 PHS 100-1B23
		9,84	B	-	1 1/4	3	4 1/2	2	0,692	17,20	
1 1/4	24	10,25	A	1 1/4	-	-	-	-	0,692	12,80	PHS 100-1A24 PHS 100-1B24
		10,25	B	-	1 1/4	3	4 1/2	2	0,692	19,20	
1 1/4	25	10,65	A	1 1/4	-	-	-	-	0,692	13,90	PHS 100-1A25 PHS 100-1B25
		10,65	B	-	1 1/4	3	4 1/2	2	0,692	19,50	
1 1/4	26	11,05	A	1 1/4	-	-	-	-	0,692	15,00	PHS 100-1A26 PHS 100-1B26
		11,05	B	-	1 1/4	3 5/16	5	2	0,692	21,70	
1 1/4	27	11,44	A	1 1/4	-	-	-	-	0,692	16,00	PHS 100-1A27 PHS 100-1B27
		11,44	B	-	1 1/4	3 5/16	5	2	0,692	23,00	
1 1/4	28	11,84	A	1 1/4	-	-	-	-	0,692	17,40	PHS 100-1A28 PHS 100-1B28
		11,84	B	-	1 1/4	3 5/16	5	2	0,692	24,40	
1 1/4	29	12,24	A	1 1/4	-	-	-	-	0,692	19,60	PHS 100-1A29 PHS 100-1B29
		12,24	B	-	1 1/4	3 5/16	5	2	0,692	25,00	
1 1/4	30	12,64	A	1 1/4	-	-	-	-	0,692	20,10	PHS 100-1A30 PHS 100-1B30
		12,64	B	-	1 1/4	3 5/16	5	2	0,692	26,90	
1 1/4	31	13,04	A	1 1/4	-	-	-	-	0,692	21,50	PHS 100-1A31
1 1/4	32	13,44	A	1 1/4	-	-	-	-	0,692	22,60	PHS 100-1A32 PHS 100-1B32
		13,44	B	-	1 1/4	3 5/16	5	2	0,692	29,80	
1 1/4	33	13,84	A	1 1/4	-	-	-	-	0,692	24,10	PHS 100-1A33
1 1/4	34	14,24	A	1 1/4	-	-	-	-	0,692	26,00	PHS 100-1A34
1 1/4	35	14,64	A	1 1/4	-	-	-	-	0,692	27,20	PHS 100-1A35 PHS 100-1B35
		14,64	B	-	1 1/4	3 5/16	5	2 1/2	0,692	36,90	
1 1/4	36	15,04	A	1 1/4	-	-	-	-	0,692	30,00	PHS 100-1A36 PHS 100-1B36
		15,04	B	-	1 1/4	3 5/16	5	2 1/2	0,692	38,60	
1 1/4	37	15,44	A	1 1/4	-	-	-	-	0,692	31,00	PHS 100-1A37
1 1/4	38	15,84	A	1 1/4	-	-	-	-	0,692	33,00	PHS 100-1A38 PHS 100-1B38
		15,84	B	-	1 1/4	3 5/16	5	2 1/2	0,692	41,50	
1 1/4	39	16,23	A	1 1/4	-	-	-	-	0,692	35,00	PHS 100-1A39 PHS 100-1B39
		16,23	B	-	1 1/4	3 5/16	5	2 1/2	0,692	43,60	
1 1/4	40	16,63	A	1 1/4	-	-	-	-	0,692	36,00	PHS 100-1A40 PHS 100-1B40
		16,63	B	-	1 1/4	3 5/16	5	2 1/2	0,692	46,90	
1 1/4	41	17,03	A	1 1/4	-	-	-	-	0,692	39,00	PHS 100-1A41
1 1/4	42	17,43	A	1 1/4	-	-	-	-	0,692	40,00	PHS 100-1A42 PHS 100-1B42
		17,43	B	-	1 1/4	3 5/16	5	2 1/2	0,692	50,40	
1 1/4	43	17,83	A	1 1/2	-	-	-	-	0,692	43,00	PHS 100-1A43
1 1/4	44	18,23	A	1 1/2	-	-	-	-	0,692	45,00	PHS 100-1A44
1 1/4	45	18,63	A	1 1/2	-	-	-	-	0,692	47,00	PHS 100-1A45 PHS 100-1B45
		18,63	B	-	1 1/2	3 5/16	5	2 1/2	0,692	54,00	
1 1/4	46	19,02	A	1 1/2	-	-	-	-	0,692	48,00	PHS 100-1A46

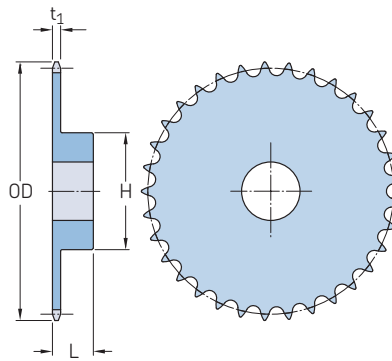
Maximum bores can accommodate standard keyways. Larger bores are available where a shallow keyway is used or no keyway is required. For sprockets with hardened teeth, add "H" before the number of teeth, e.g. PHS 25-1BH9.

ANSI sprockets, simplex, pilot bore

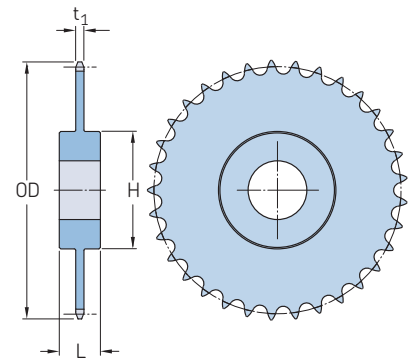
ANSI 100-1 · 1 1/4 in. pitch | ANSI 120-1 · 1 1/2 in. pitch



Type A



Type B



Type C

Pitch	Number of teeth	Outside diameter OD	Type	Dimensions Bore Bore stock		Hub		Plate thickness t ₁	Mass	Designation
				Min.	Max.	H	L			
in.	-	in.	-	in.				lbs.	-	
1 1/4	47	19,42	A	1 1/2	-	-	-	0,692	52,00	PHS 100-1A47
1 1/4	48	19,82 19,82	A	1 1/2	-	-	-	0,692	54,00	PHS 100-1A48
			B	-	1 1/2	4	6	2 1/2	0,692	66,00
1 1/4	49	20,22	A	1 1/2	-	-	-	0,692	56,00	PHS 100-1A49
1 1/4	50	20,62	A	1 1/2	-	-	-	0,692	57,00	PHS 100-1A50
1 1/4	51	21,02	A	1 1/2	-	-	-	0,692	63,00	PHS 100-1A51
1 1/4	52	21,42	A	1 1/2	-	-	-	0,692	64,00	PHS 100-1A52
1 1/4	53	21,81	A	1 1/2	-	-	-	0,692	64,20	PHS 100-1A53
1 1/4	54	22,21 22,21	A	1 1/2	-	-	-	0,692	68,00	PHS 100-1A54
			C	-	1 1/2	4	6	3 3/4	0,692	78,00
1 1/4	55	22,61	A	1 1/2	-	-	-	0,692	70,00	PHS 100-1A55
1 1/4	56	23,01	A	1 1/2	-	-	-	0,692	72,00	PHS 100-1A56
1 1/4	57	23,41	A	1 1/2	-	-	-	0,692	75,80	PHS 100-1A57
1 1/4	58	23,81	A	1 1/2	-	-	-	0,692	76,00	PHS 100-1A58
1 1/4	59	24,20	A	1 1/2	-	-	-	0,692	77,00	PHS 100-1A59
1 1/4	60	24,60 24,60	A	1 1/2	-	-	-	0,692	80,00	PHS 100-1A60
			C	-	1 1/2	4	6	3 3/4	0,692	89,00
1 1/4	70	28,58 28,58	A	1 1/2	-	-	-	0,692	113,00	PHS 100-1A70
			C	-	1 1/2	5 1/4	7	3 3/4	0,692	125,00
1 1/4	72	29,38 29,38	A	1 1/2	-	-	-	0,692	119,00	PHS 100-1A72
			C	-	1 1/2	5 1/4	7	3 3/4	0,692	134,00
1 1/4	76	30,97 30,97	A	1 1/2	-	-	-	0,692	133,00	PHS 100-1A76
			C	-	1 1/2	5 1/4	7	3 3/4	0,692	143,00
1 1/4	80	32,57 32,57	A	1 1/2	-	-	-	0,692	146,00	PHS 100-1A80
			C	-	1 1/2	5 1/4	7	3 3/4	0,692	151,00
1 1/4	84	34,16 34,16	A	1 1/2	-	-	-	0,692	162,00	PHS 100-1A84
			C	-	1 1/2	5 1/4	7	3 3/4	0,692	170,00
1 1/4	90	36,55 36,55	A	1 1/2	-	-	-	0,692	193,00	PHS 100-1A90
			C	-	1 1/2	5 1/4	7	3 3/4	0,692	184,00
1 1/4	96	38,93 38,93	A	1 1/2	-	-	-	0,692	215,00	PHS 100-1A96
			C	-	1 1/2	5 1/4	7	4 1/2	0,692	203,00
1 1/2	8	4,52	A	1 1/4	-	-	-	0,924	2,40	PHS 120-1A8
1 1/2	9	5,02 5,02	A	1 1/4	-	-	-	0,924	3,00	PHS 120-1A9
			B	-	1 3/8	1 13/16	3 3/8	2 1/4	0,924	5,30
1 1/2	10	5,52 5,52	A	1 1/4	-	-	-	0,924	3,80	PHS 120-1A10
			B	-	1 3/8	2 1/4	3 3/4	2 1/4	0,924	7,10
1 1/2	11	6,01 6,01	A	1 1/4	-	-	-	0,924	4,80	PHS 120-1A11
			B	-	1 3/8	2 3/8	3 9/16	2 1/8	0,924	7,60
1 1/2	12	6,50	A	1 1/4	-	-	-	0,924	5,80	PHS 120-1A12

Maximum bores can accommodate standard keyways. Larger bores are available where a shallow keyway is used or no keyway is required. For sprockets with hardened teeth, add "H" before the number of teeth, e.g. PHS 25-1BH9.

ANSI sprockets, simplex, pilot bore

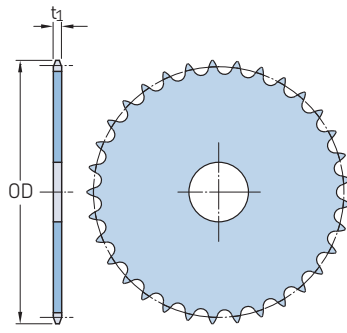
ANSI 120-1 · 1 1/2 in. pitch

Pitch	Number of teeth	Outside diameter OD	Type	Dimensions Bore stock	Bore		Hub		Plate thickness t ₁	Mass	Designation
					Min.	Max.	H	L			
in.	–	in.	–	in.					lbs.	–	
1 1/2	12	6,50	B	–	1 3/8	2 3/4	4 1/8	2 1/8	0,924	9,90	PHS 120-1B12
1 1/2	13	6,99 6,99	A	1 1/4	–	–	–	–	0,924	6,70	PHS 120-1A13
			B	–	1 3/8	3	4 9/16	2 1/4	0,924	12,40	PHS 120-1B13
1 1/2	14	7,47 7,47	A	1 1/4	–	–	–	–	0,924	8,00	PHS 120-1A14
			B	–	1 3/8	3 1/4	4 3/4	2 1/4	0,924	14,40	PHS 120-1B14
1 1/2	15	7,96 7,96	A	1 1/4	–	–	–	–	0,924	9,10	PHS 120-1A15
			B	–	1 1/4	3 1/4	4 3/4	2 3/8	0,924	16,70	PHS 120-1B15
1 1/2	16	8,44 8,44	A	1 1/4	–	–	–	–	0,924	10,60	PHS 120-1A16
			B	–	1 1/4	3 1/2	5 1/4	2 3/8	0,924	19,90	PHS 120-1B16
1 1/2	17	8,92 8,92	A	1 1/4	–	–	–	–	0,924	12,60	PHS 120-1A17
			B	–	1 1/4	3 1/2	5 1/4	2 3/8	0,924	20,80	PHS 120-1B17
1 1/2	18	9,41 9,41	A	1 1/4	–	–	–	–	0,924	13,60	PHS 120-1A18
			B	–	1 1/4	3 1/2	5 1/4	2 3/8	0,924	22,20	PHS 120-1B18
1 1/2	19	9,89 9,89	A	1 1/4	–	–	–	–	0,924	15,10	PHS 120-1A19
			B	–	1 1/4	3 1/2	5 1/4	2 3/8	0,924	24,80	PHS 120-1B19
1 1/2	20	10,37 10,37	A	1 1/4	–	–	–	–	0,924	16,90	PHS 120-1A20
			B	–	1 1/4	3 1/2	5 1/4	2 3/8	0,924	25,80	PHS 120-1B20
1 1/2	21	10,85 10,85	A	1 1/4	–	–	–	–	0,924	18,70	PHS 120-1A21
			B	–	1 1/4	3 1/2	5 1/4	2 3/8	0,924	26,70	PHS 120-1B21
1 1/2	22	11,33 11,33	A	1 1/4	–	–	–	–	0,924	20,00	PHS 120-1A22
			B	–	1 1/4	3 1/2	5 1/4	2 3/8	0,924	28,20	PHS 120-1B22
1 1/2	23	11,81 11,81	A	1 1/4	–	–	–	–	0,924	22,10	PHS 120-1A23
			B	–	1 1/4	3 1/2	5 1/4	2 3/8	0,924	30,30	PHS 120-1B23
1 1/2	24	12,29 12,29	A	1 1/4	–	–	–	–	0,924	24,80	PHS 120-1A24
			B	–	1 1/4	3 1/2	5 1/4	2 3/8	0,924	32,10	PHS 120-1B24
1 1/2	25	12,77 12,77	A	1 1/4	–	–	–	–	0,924	26,80	PHS 120-1A25
			B	–	1 1/4	3 1/2	5 1/4	2 3/8	0,924	34,60	PHS 120-1B25
1 1/2	26	13,25 13,25	A	1 1/2	–	–	–	–	0,924	28,30	PHS 120-1A26
			B	–	1 1/2	4	6	2 1/2	0,924	40,00	PHS 120-1B26
1 1/2	27	13,73	A	1 1/2	–	–	–	–	0,924	30,90	PHS 120-1A27
1 1/2	28	14,21 14,21	A	1 1/2	–	–	–	–	0,924	33,60	PHS 120-1A28
			B	–	1 1/2	4	6	2 1/2	0,924	44,90	PHS 120-1B28
1 1/2	30	15,17 15,17	A	1 1/2	–	–	–	–	0,924	39,00	PHS 120-1A30
			B	–	1 1/2	4	6	2 1/2	0,924	50,20	PHS 120-1B30
1 1/2	32	16,13 16,13	A	1 1/2	–	–	–	–	0,924	43,90	PHS 120-1A32
			B	–	1 1/2	4	6	2 1/2	0,924	56,00	PHS 120-1B32
1 1/2	33	16,61	A	1 1/2	–	–	–	–	0,924	48,20	PHS 120-1A33
1 1/2	34	17,09	A	1 1/2	–	–	–	–	0,924	50,00	PHS 120-1A34
1 1/2	35	17,57 17,57	A	1 1/2	–	–	–	–	0,924	52,00	PHS 120-1A35
			B	–	1 1/2	4	6	2 1/2	0,924	62,40	PHS 120-1B35
1 1/2	36	18,05 18,05	A	1 1/2	–	–	–	–	0,924	56,00	PHS 120-1A36
			B	–	1 1/2	4	6	2 1/2	0,924	66,40	PHS 120-1B36
1 1/2	40	19,96 19,96	A	1 1/2	–	–	–	–	0,924	71,00	PHS 120-1A40
			C	–	1 1/2	4	6	3 3/4	0,924	92,00	PHS 120-1C40
1 1/2	42	20,92 20,92	A	1 1/2	–	–	–	–	0,924	75,00	PHS 120-1A42
			C	–	1 1/2	4	6	3 3/4	0,924	98,00	PHS 120-1C42
1 1/2	45	22,35 22,35	A	1 1/2	–	–	–	–	0,924	88,00	PHS 120-1A45
			C	–	1 1/2	4	6	3 3/4	0,924	99,20	PHS 120-1C45
1 1/2	48	23,79 23,79	A	1 1/2	–	–	–	–	0,924	103,00	PHS 120-1A48
			C	–	1 1/2	4	6	4	0,924	113,00	PHS 120-1C48
1 1/2	54	26,65 26,65	A	1 1/2	–	–	–	–	0,924	140,00	PHS 120-1A54
			C	–	1 1/2	4	6	4	0,924	133,00	PHS 120-1C54
1 1/2	60	29,52 29,52	A	1 1/2	–	–	–	–	0,924	160,00	PHS 120-1A60
			C	–	1 1/2	5 1/4	7	4	0,924	160,00	PHS 120-1C60
1 1/2	70	34,30 34,30	A	1 1/2	–	–	–	–	0,924	216,00	PHS 120-1A70
			C	–	1 1/2	5 3/8	7 1/2	4 1/2	0,924	206,00	PHS 120-1C70
1 1/2	80	39,08 39,08	A	1 1/2	–	–	–	–	0,924	284,00	PHS 120-1A80
			C	–	1 1/2	5 3/8	7 1/2	4 1/2	0,924	254,00	PHS 120-1C80

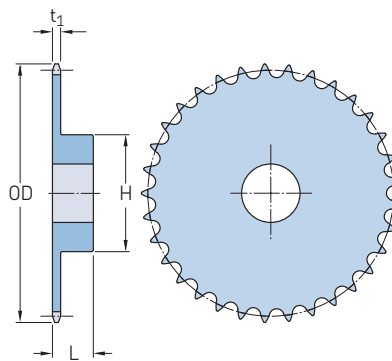
Maximum bores can accommodate standard keyways. Larger bores are available where a shallow keyway is used or no keyway is required. For sprockets with hardened teeth, add "H" before the number of teeth, e.g. PHS 25-1BH9.

ANSI sprockets, simplex, pilot bore

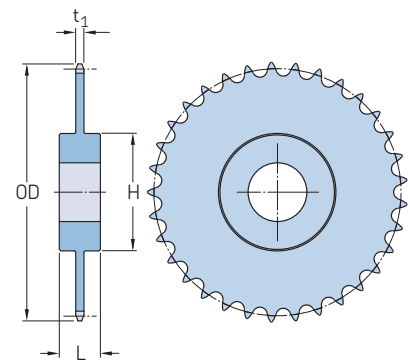
ANSI 120-1 · 1 1/2 in. pitch | ANSI 140-1 · 1 3/4 in. pitch



Type A



Type B



Type C

Pitch	Number of teeth	Outside diameter OD	Type	Dimensions Bore stock		Hub		Plate thickness t ₁	Mass	Designation
				Min.	Max.	H	L			
in.	-	in.	-	in.					lbs.	-
1 1/2	90	43,85	A	1 1/2	-	-	-	0,924	358,00	PHS 120-1A90
1 3/4	11	7,01	A	1 1/2	-	-	-	0,924	5,00	PHS 140-1A11
		7,01	B	-	1 1/2	2 3/4	4 1/4	2 1/4	0,924	11,30
1 3/4	12	7,58	A	1 1/2	-	-	-	0,924	7,80	PHS 140-1A12
		7,58	B	-	1 1/2	3	4 1/2	2 1/4	0,924	13,20
1 3/4	13	8,15	A	1 1/2	-	-	-	0,924	8,20	PHS 140-1A13
		8,15	B	-	1 1/2	3 3/4	5 1/2	2 3/8	0,924	18,90
1 3/4	14	8,72	A	1 1/2	-	-	-	0,924	10,00	PHS 140-1A14
		8,72	B	-	1 1/2	3 3/4	5 1/2	2 3/8	0,924	20,40
1 3/4	15	9,28	A	1 1/2	-	-	-	0,924	11,00	PHS 140-1A15
		9,28	B	-	1 1/2	4 1/4	6 1/4	2 3/8	0,924	25,10
1 3/4	16	9,85	A	1 1/2	-	-	-	0,924	14,00	PHS 140-1A16
		9,85	B	-	1 1/2	4 1/4	6 1/4	2 1/2	0,924	27,90
1 3/4	17	10,41	A	1 1/2	-	-	-	0,924	16,00	PHS 140-1A17
		10,41	B	-	1 1/2	4 1/4	6 1/4	2 1/2	0,924	29,80
1 3/4	18	10,98	A	1 1/2	-	-	-	0,924	18,00	PHS 140-1A18
		10,98	B	-	1 1/2	4 1/4	6 1/4	2 1/2	0,924	32,00
1 3/4	19	11,54	A	1 1/2	-	-	-	0,924	21,00	PHS 140-1A19
		11,54	B	-	1 1/2	4 1/4	6 1/4	2 1/2	0,924	34,10
1 3/4	20	12,10	A	1 1/2	-	-	-	0,924	23,00	PHS 140-1A20
		12,10	B	-	1 1/2	4 1/4	6 1/4	2 1/2	0,924	36,00
1 3/4	21	12,66	A	1 1/2	-	-	-	0,924	25,00	PHS 140-1A21
		12,66	B	-	1 1/2	4 1/4	6 1/4	2 1/2	0,924	38,70
1 3/4	22	13,22	A	1 1/2	-	-	-	0,924	28,00	PHS 140-1A22
		13,22	B	-	1 1/2	4 1/4	6 1/4	2 1/2	0,924	40,60
1 3/4	23	13,78	A	1 1/2	-	-	-	0,924	30,00	PHS 140-1A23
		13,78	B	-	1 1/2	4 1/4	6 1/4	2 1/2	0,924	42,10
1 3/4	24	14,34	A	1 1/2	-	-	-	0,924	33,00	PHS 140-1A24
		14,34	B	-	1 1/2	4 1/4	6 1/4	2 1/2	0,924	46,20
1 3/4	25	14,90	A	1 1/2	-	-	-	0,924	34,00	PHS 140-1A25
		14,90	B	-	1 1/2	4 1/4	6 1/4	2 1/2	0,924	47,80
1 3/4	26	15,46	A	1 1/2	-	-	-	0,924	39,00	PHS 140-1A26
		15,46	B	-	1 1/2	4 1/4	6 1/4	3	0,924	57,20
1 3/4	27	16,02	A	1 1/2	-	-	-	0,924	41,00	PHS 140-1A27
		16,02	B	-	1 1/2	4 1/4	6 1/4	3	0,924	58,50
1 3/4	28	16,58	A	1 1/2	-	-	-	0,924	45,00	PHS 140-1A28
		16,58	B	-	1 1/2	4 1/4	6 1/4	3	0,924	62,20
1 3/4	30	17,70	A	1 1/2	-	-	-	0,924	52,00	PHS 140-1A30
		17,70	B	-	1 1/2	4 1/4	6 1/4	3	0,924	69,80
1 3/4	31	18,26	-	1,75	1 1/2	-	-	0,924	56,00	PHS 140-1A31
1 3/4	32	18,82	A	1 1/2	-	-	-	0,924	60,00	PHS 140-1A32
		18,82	B	-	1 1/2	4 1/4	6 1/4	3	0,924	76,30

Maximum bores can accommodate standard keyways. Larger bores are available where a shallow keyway is used or no keyway is required. For sprockets with hardened teeth, add "H" before the number of teeth, e.g. PHS 25-1BH9.

ANSI sprockets, simplex, pilot bore

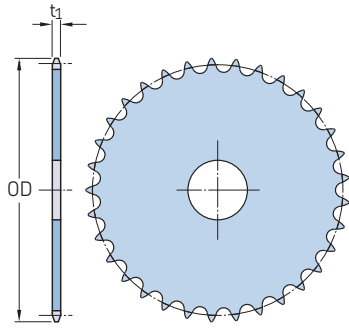
ANSI 140-1 · 1 3/4 in. pitch | ANSI 160-1 · 2 in. pitch

Pitch	Number of teeth	Outside diameter OD	Type	Dimensions Bore stock	Bore		Hub		Plate thickness t ₁	Mass	Designation
					Min.	Max.	H	L			
in.	-	in.	-	in.					lbs.	-	
1 3/4	35	20,49	A	1 1/2	-	-	-	-	0,924	73,00	PHS 140-1A35
		20,49	C	-	1 1/2	5 1/4	7	4	0,924	108,00	PHS 140-1C35
1 3/4	36	21,05	-	1.75	1 1/2	-	-	-	0,924	77,00	PHS 140-1A36
1 3/4	40	23,29	A	1 1/2	-	-	-	-	0,924	93,00	PHS 140-1A40
		23,29	C	-	1 1/2	5 1/4	7	4	0,924	121,00	PHS 140-1C40
1 3/4	45	26,08	A	1 1/2	-	-	-	-	0,924	131,00	PHS 140-1A45
		26,08	C	-	1 1/2	5 1/4	7	4	0,924	142,00	PHS 140-1C45
1 3/4	48	27,75	A	1 1/2	-	-	-	-	0,924	134,00	PHS 140-1A48
		27,75	C	-	1 1/2	5 1/4	7	4	0,924	150,00	PHS 140-1C48
1 3/4	54	31,10	A	1 1/2	-	-	-	-	0,924	173,00	PHS 140-1A54
		31,10	C	-	1 1/2	5 1/4	7	4	0,924	177,00	PHS 140-1C54
1 3/4	60	34,44	A	1 1/2	-	-	-	-	0,924	219,00	PHS 140-1A60
		34,44	C	-	1 1/2	5 1/4	7	5	0,924	220,00	PHS 140-1C60
1 3/4	70	40,02	A	1 1/2	-	-	-	-	0,924	292,00	PHS 140-1A70
		40,02	C	-	1 1/2	5 3/8	7 1/2	5	0,924	282,00	PHS 140-1C70
1 3/4	80	45,59	A	1 1/2	-	-	-	-	0,924	402,00	PHS 140-1A80
		45,59	C	-	1 1/2	5 3/8	7 1/2	5	0,924	331,00	PHS 140-1C80
2	8	6,03	A	1 1/2	-	-	-	-	1,156	5,00	PHS 160-1A8
		6,03	B	-	1 1/2	1 7/8	3 1/4	2 1/4	1,156	8,00	PHS 160-1B8
2	9	6,70	A	1 1/2	-	-	-	-	1,156	7,00	PHS 160-1A9
		6,70	B	-	1 1/2	2 1/8	3 5/8	2 1/4	1,156	10,00	PHS 160-1B9
2	10	7,36	A	1 1/2	-	-	-	-	1,156	8,00	PHS 160-1A10
		7,36	B	-	1 1/2	2 3/4	4 1/8	2 1/4	1,156	12,00	PHS 160-1B10
2	11	8,01	A	1 1/2	-	-	-	-	1,156	10,00	PHS 160-1A11
		8,01	B	-	1 1/2	3 1/4	4 3/4	2 1/2	1,156	17,00	PHS 160-1B11
2	12	8,66	A	1 1/2	-	-	-	-	1,156	12,00	PHS 160-1A12
		8,66	B	-	1 1/2	3 3/4	5 1/2	2 1/2	1,156	21,00	PHS 160-1B12
2	13	9,31	A	1 1/2	-	-	-	-	1,156	16,00	PHS 160-1A13
		9,31	B	-	1 1/2	4	6	2 3/4	1,156	28,00	PHS 160-1B13
2	14	9,96	A	1 1/2	-	-	-	-	1,156	17,00	PHS 160-1A14
		9,96	B	-	1 1/2	4 1/2	6 1/2	2 3/4	1,156	32,00	PHS 160-1B14
2	15	10,61	A	1 1/2	-	-	-	-	1,156	21,00	PHS 160-1A15
		10,61	B	-	1 1/2	5 1/4	7	2 3/4	1,156	37,00	PHS 160-1B15
2	16	11,26	A	1 1/2	-	-	-	-	1,156	24,00	PHS 160-1A16
		11,26	B	-	1 1/2	5 1/4	7	2 3/4	1,156	41,00	PHS 160-1B16
2	17	11,90	A	1 1/2	-	-	-	-	1,156	27,00	PHS 160-1A17
		11,90	B	-	1 1/2	5 1/4	7	2 3/4	1,156	45,00	PHS 160-1B17
2	18	12,54	A	1 1/2	-	-	-	-	1,156	30,00	PHS 160-1A18
		12,54	B	-	1 1/2	5 1/4	7	2 3/4	1,156	48,00	PHS 160-1B18
2	19	13,19	A	1 1/2	-	-	-	-	1,156	34,00	PHS 160-1A19
		13,19	B	-	1 1/2	5 1/4	7	2 3/4	1,156	52,00	PHS 160-1B19
2	20	13,83	A	1 1/2	-	-	-	-	1,156	38,00	PHS 160-1A20
		13,83	B	-	1 1/2	5 1/4	7	2 3/4	1,156	56,00	PHS 160-1B20
2	21	14,47	A	1 1/2	-	-	-	-	1,156	42,00	PHS 160-1A21
		14,47	B	-	1 1/2	5 1/4	7	2 3/4	1,156	59,00	PHS 160-1B21
2	22	15,11	A	1 1/2	-	-	-	-	1,156	46,00	PHS 160-1A22
		15,11	B	-	1 1/2	5 1/4	7	2 3/4	1,156	65,00	PHS 160-1B22
2	23	15,75	A	1 1/2	-	-	-	-	1,156	50,00	PHS 160-1A23
		15,75	B	-	1 1/2	5 1/4	7	2 3/4	1,156	68,00	PHS 160-1B23
2	24	16,39	A	1 1/2	-	-	-	-	1,156	56,00	PHS 160-1A24
		16,39	B	-	1 1/2	5 1/4	7	3	1,156	77,00	PHS 160-1B24
2	25	17,03	A	1 1/2	-	-	-	-	1,156	61,00	PHS 160-1A25
		17,03	B	-	1 1/2	5 1/4	7	3	1,156	81,00	PHS 160-1B25
2	26	17,67	A	1 1/2	-	-	-	-	1,156	65,00	PHS 160-1A26
		17,67	B	-	1 1/2	5 1/4	7	3	1,156	86,00	PHS 160-1B26
2	27	18,31	A	1 1/2	-	-	-	-	1,156	71,00	PHS 160-1A27
		18,31	B	-	1 1/2	5 1/4	7	3	1,156	91,00	PHS 160-1B27
2	28	18,95	A	1 1/2	-	-	-	-	1,156	77,00	PHS 160-1A28
		18,95	B	-	1 1/2	5 1/4	7	3	1,156	98,00	PHS 160-1B28

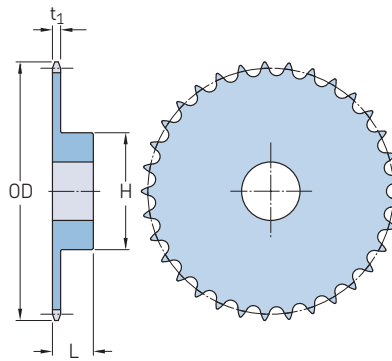
Maximum bores can accommodate standard keyways. Larger bores are available where a shallow keyway is used or no keyway is required. For sprockets with hardened teeth, add "H" before the number of teeth, e.g. PHS 25-1BH9.

ANSI sprockets, simplex, pilot bore

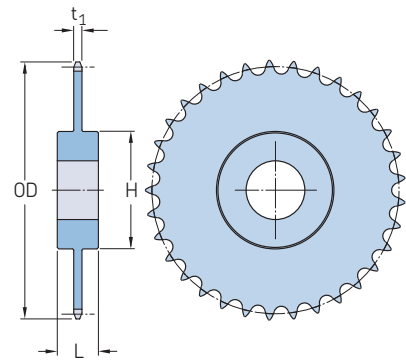
ANSI 160-1 · 2 in. pitch | ANSI 180-1 · 2 1/4 in. pitch



Type A



Type B



Type C

Pitch	Number of teeth	Outside diameter OD	Type	Dimensions Bore Bore stock		Hub		Plate thickness t ₁	Mass	Designation	
				Min.	Max.	H	L				
in.	-	in.	-	in.	-	-	-	-	lbs.	-	
2	30	20,23 20,23	A	1 1/2	-	-	-	-	1,156	90,00	PHS 160-1A30
			B	-	1 1/2	5 1/4	7	3	1,156	108,00	PHS 160-1B30
2	35	23,42 23,42	A	1 1/2	-	-	-	-	1,156	121,00	PHS 160-1A35
			C	-	1 1/2	5 1/2	8	4 1/2	1,156	154,00	PHS 160-1C35
2	40	26,61 26,61	A	1 1/2	-	-	-	-	1,156	138,00	PHS 160-1A40
			C	-	1 1/2	5 1/2	8	4 1/2	1,156	196,00	PHS 160-1C40
2	45	29,80 29,80	A	1 1/2	-	-	-	-	1,156	204,00	PHS 160-1A45
			C	-	1 1/2	5 1/2	8	5	1,156	234,00	PHS 160-1C45
2	54	35,54 35,54	A	1 1/2	-	-	-	-	1,156	294,00	PHS 160-1A54
			C	-	1 1/2	5 1/2	8	5	1,156	276,00	PHS 160-1C54
2	60	39,36 39,36	A	1 1/2	-	-	-	-	1,156	366,00	PHS 160-1A60
			C	-	1 1/2	5 1/2	8	5	1,156	329,00	PHS 160-1C60
2	70	45,73 45,73	A	1 1/2	-	-	-	-	1,156	507,00	PHS 160-1A70
			C	-	1 1/2	5 1/2	8	5	1,156	446,00	PHS 160-1C70
2	80	52,10 52,10	A	1 1/2	-	-	-	-	1,156	656,00	PHS 160-1A80
			C	-	1 1/2	5 1/2	8	6	1,156	612,00	PHS 160-1C80
2 1/4	11	9,01 9,01	A	1 1/2	-	-	-	-	1,301	14,00	PHS 180-1A11
			B	-	1 1/2	3 5/8	5 1/2	3	1,301	29,00	PHS 180-1B11
2 1/4	12	9,75 9,75	A	1 1/2	-	-	-	-	1,301	16,00	PHS 180-1A12
			B	-	1 1/2	4	6	3	1,301	32,00	PHS 180-1B12
2 1/4	13	10,48 10,48	A	1 1/2	-	-	-	-	1,301	20,00	PHS 180-1A13
			B	-	1 1/2	4 5/8	6 3/4	3 1/8	1,301	40,00	PHS 180-1B13
2 1/4	14	11,21 11,21	A	1 1/2	-	-	-	-	1,301	24,00	PHS 180-1A14
			B	-	1 1/2	5 1/4	7	3 1/8	1,301	44,00	PHS 180-1B14
2 1/4	15	11,93 11,93	A	1 1/2	-	-	-	-	1,301	28,00	PHS 180-1A15
			B	-	1 1/2	5 1/4	7	3 1/8	1,301	48,00	PHS 180-1B15
2 1/4	16	12,66 12,66	A	1 1/2	-	-	-	-	1,301	32,00	PHS 180-1A16
			B	-	1 1/2	5 1/4	7	3 1/8	1,301	52,00	PHS 180-1B16
2 1/4	17	13,39 13,39	A	1 1/2	-	-	-	-	1,301	37,00	PHS 180-1A17
			B	-	1 1/2	5 1/4	7	3 1/8	1,301	58,00	PHS 180-1B17
2 1/4	18	14,11 14,11	A	1 1/2	-	-	-	-	1,301	43,00	PHS 180-1A18
			B	-	1 1/2	5 1/4	7	3 1/8	1,301	63,00	PHS 180-1B18
2 1/4	19	14,83 14,83	A	1 1/2	-	-	-	-	1,301	47,00	PHS 180-1A19
			B	-	1 1/2	5 3/8	7 1/2	3 3/8	1,301	74,00	PHS 180-1B19
2 1/4	20	15,56 15,56	A	1 1/2	-	-	-	-	1,301	53,00	PHS 180-1A20
			B	-	1 1/2	5 3/8	7 1/2	3 3/8	1,301	81,00	PHS 180-1B20
2 1/4	21	16,28 16,28	A	1 1/2	-	-	-	-	1,301	57,00	PHS 180-1A21
			B	-	1 1/2	5 3/8	7 1/2	3 3/8	1,301	83,00	PHS 180-1B21
2 1/4	22	17,00 17,00	A	1 1/2	-	-	-	-	1,301	62,00	PHS 180-1A22
			B	-	1 1/2	5 3/8	7 1/2	3 3/8	1,301	92,00	PHS 180-1B22
2 1/4	23	17,72 17,72	A	1 1/2	-	-	-	-	1,301	69,00	PHS 180-1A23
			B	-	1 1/2	5 3/8	7 1/2	3 3/8	1,301	99,00	PHS 180-1B23
2 1/4	24	18,44	A	1 1/2	-	-	-	-	1,301	77,00	PHS 180-1A24

Maximum bores can accommodate standard keyways. Larger bores are available where a shallow keyway is used or no keyway is required. For sprockets with hardened teeth, add "H" before the number of teeth, e.g. PHS 25-1BH9.

ANSI sprockets, simplex, pilot bore

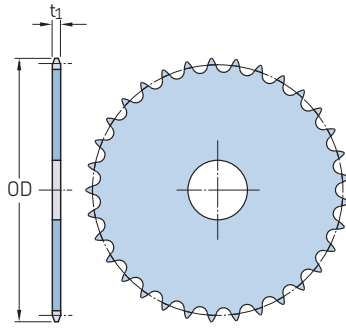
ANSI 180-1 · 2 1/4 in. pitch | ANSI 200-1 · 2 1/2 in. pitch

Pitch	Number of teeth	Outside diameter OD	Type	Dimensions Bore stock	Bore		Hub		Plate thickness t ₁	Mass lbs.	Designation
					Min.	Max.	H	L			
in.	-	in.	-	in.							-
2 1/4	24	18,44	B	-	1 1/2	5 3/8	7 1/2	3 3/8	1,301	105,00	PHS 180-1B24
2 1/4	25	19,16	A	1 1/2	-	-	-	-	1,301	84,00	PHS 180-1A25
		19,16	B	-	1 1/2	5 3/8	7 1/2	3 3/8	1,301	113,00	PHS 180-1B25
2 1/4	28	21,32	A	1 1/2	-	-	-	-	1,301	104,00	PHS 180-1A28
		21,32	B	-	1 1/2	5 1/2	8	3 1/2	1,301	135,00	PHS 180-1B28
2 1/4	30	22,76	A	1 1/2	-	-	-	-	1,301	120,00	PHS 180-1A30
		22,76	C	-	1 1/2	5 3/4	8 1/2	4 3/8	1,301	180,00	PHS 180-1C30
2 1/4	35	26,35	A	1 1/2	-	-	-	-	1,301	172,00	PHS 180-1A35
		26,35	C	-	1 1/2	5 3/4	8 1/2	4 3/8	1,301	222,00	PHS 180-1C35
2 1/4	40	29,94	A	1 1/2	-	-	-	-	1,301	229,00	PHS 180-1A40
		29,94	C	-	1 1/2	5 3/4	8 1/2	4 3/8	1,301	270,00	PHS 180-1C40
2 1/4	45	33,53	A	1 1/2	-	-	-	-	1,301	284,00	PHS 180-1A45
		33,53	C	-	1 1/2	6	9	5	1,301	315,00	PHS 180-1C45
2 1/4	54	39,98	A	1 1/2	-	-	-	-	1,301	420,00	PHS 180-1A54
		39,98	C	-	1 1/2	6	9	5	1,301	477,00	PHS 180-1C54
2 1/4	60	44,28	A	1 1/2	-	-	-	-	1,301	505,00	PHS 180-1A60
		44,28	C	-	1 1/2	6 1/2	9 1/2	5 3/8	1,301	489,00	PHS 180-1C60
2 1/2	10	9,20	A	1 1/2	-	-	-	-	1,389	16,00	PHS 200-1A10
		9,20	B	-	1 1/2	3 3/4	5 1/2	3	1,389	26,00	PHS 200-1B10
2 1/2	11	10,02	A	1 1/2	-	-	-	-	1,389	20,00	PHS 200-1A11
		10,02	B	-	1 1/2	4	6	3	1,389	33,00	PHS 200-1B11
2 1/2	12	10,83	A	1 1/2	-	-	-	-	1,389	24,00	PHS 200-1A12
		10,83	B	-	1 1/2	4 1/2	6 1/2	3	1,389	37,00	PHS 200-1B12
2 1/2	13	11,64	A	1 1/2	-	-	-	-	1,389	30,00	PHS 200-1A13
		11,64	B	-	1 1/2	5 1/4	7	3	1,389	46,00	PHS 200-1B13
2 1/2	14	12,46	A	1 1/2	-	-	-	-	1,389	32,00	PHS 200-1A14
		12,46	B	-	1 1/2	5 3/8	7 1/2	3 1/2	1,389	59,00	PHS 200-1B14
2 1/2	15	13,26	A	1 1/2	-	-	-	-	1,389	40,00	PHS 200-1A15
		13,26	B	-	1 1/2	5 3/8	7 1/2	3 1/2	1,389	64,00	PHS 200-1B15
2 1/2	16	14,07	A	1 1/2	-	-	-	-	1,389	46,00	PHS 200-1A16
		14,07	B	-	1 1/2	5 3/8	7 1/2	3 1/2	1,389	72,00	PHS 200-1B16
2 1/2	17	14,87	A	1 1/2	-	-	-	-	1,389	51,00	PHS 200-1A17
		14,87	B	-	1 1/2	5 3/8	7 1/2	3 1/2	1,389	76,00	PHS 200-1B17
2 1/2	18	15,68	A	1 1/2	-	-	-	-	1,389	57,00	PHS 200-1A18
		15,68	B	-	1 1/2	5 3/8	7 1/2	3 1/2	1,389	84,00	PHS 200-1B18
2 1/2	19	16,48	A	1 1/2	-	-	-	-	1,389	65,00	PHS 200-1A19
		16,48	B	-	1 1/2	5 3/8	7 1/2	3 1/2	1,389	91,00	PHS 200-1B19
2 1/2	20	17,29	A	1 1/2	-	-	-	-	1,389	72,00	PHS 200-1A20
		17,29	B	-	1 1/2	5 3/8	7 1/2	3 1/2	1,389	98,00	PHS 200-1B20
2 1/2	21	18,09	A	1 1/2	-	-	-	-	1,389	82,00	PHS 200-1A21
		18,09	B	-	1 1/2	5 3/8	7 1/2	3 1/2	1,389	106,00	PHS 200-1B21
2 1/2	22	18,89	A	1 1/2	-	-	-	-	1,389	88,00	PHS 200-1A22
		18,89	B	-	1 1/2	5 3/4	8 1/2	4	1,389	131,00	PHS 200-1B22
2 1/2	23	19,69	A	1 1/2	-	-	-	-	1,389	95,00	PHS 200-1A23
		19,69	B	-	1 1/2	5 3/4	8 1/2	4	1,389	136,00	PHS 200-1B23
2 1/2	24	20,49	A	1 1/2	-	-	-	-	1,389	105,00	PHS 200-1A24
		20,49	B	-	1 1/2	5 3/4	8 1/2	4	1,389	142,00	PHS 200-1B24
2 1/2	25	21,29	A	1 1/2	-	-	-	-	1,389	113,00	PHS 200-1A25
		21,29	B	-	1 1/2	5 3/4	8 1/2	4	1,389	153,00	PHS 200-1B25
2 1/2	26	22,09	A	1 1/2	-	-	-	-	1,389	124,00	PHS 200-1A26
		22,09	C	-	1 1/2	5 3/4	8 1/2	4 1/2	1,389	178,00	PHS 200-1C26
2 1/2	28	23,69	A	1 1/2	-	-	-	-	1,389	144,00	PHS 200-1A28
		23,69	C	-	1 1/2	5 3/4	8 1/2	4 1/2	1,389	195,00	PHS 200-1C28
2 1/2	30	25,29	A	1 1/2	-	-	-	-	1,389	167,00	PHS 200-1A30
		25,29	C	-	1 1/2	5 3/4	8 1/2	4 1/2	1,389	212,00	PHS 200-1C30
2 1/2	32	26,88	A	1 1/2	-	-	-	-	1,389	195,00	PHS 200-1A32
		26,88	C	-	1 1/2	5 3/4	8 1/2	4 1/2	1,389	220,00	PHS 200-1C32
2 1/2	35	29,28	A	1 1/2	-	-	-	-	1,389	227,00	PHS 200-1A35
		29,28	C	-	1 1/2	5 3/4	8 1/2	4 1/2	1,389	254,00	PHS 200-1C35

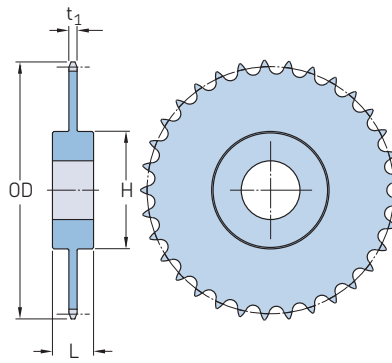
Maximum bores can accommodate standard keyways. Larger bores are available where a shallow keyway is used or no keyway is required. For sprockets with hardened teeth, add "H" before the number of teeth, e.g. PHS 25-1BH9.

ANSI sprockets, simplex, pilot bore

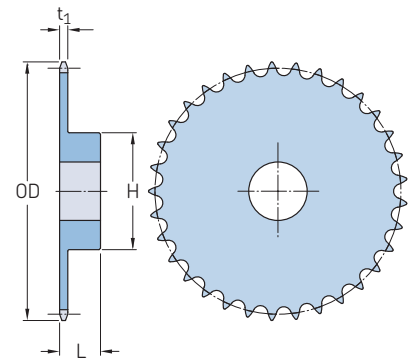
ANSI 200-1 · 2 1/2 in. pitch | ANSI 240-1 · 3 in. pitch



Type A



Type C



Type B

Pitch	Number of teeth	Outside diameter OD	Type	Dimensions Bore Bore stock		Hub		Plate thickness t ₁	Mass	Designation
				Min.	Max.	H	L			
in.	-	in.	-	in.					lbs.	-
2 1/2	40	33,27	A	1 1/2	-	-	-	1,389	301,00	PHS 200-1A40
		33,27	C	-	1 1/2	6	9	5	1,389	320,00
2 1/2	45	37,25	A	1 1/2	-	-	-	1,389	390,00	PHS 200-1A45
		37,25	C	-	1 1/2	6	9	5	1,389	364,00
2 1/2	54	44,42	A	1 1/2	-	-	-	1,389	555,00	PHS 200-1A54
		44,42	C	-	1 1/2	6 1/2	9 1/2	5 1/2	1,389	512,00
2 1/2	60	49,20	A	1 1/2	-	-	-	1,389	692,00	PHS 200-1A60
		49,20	C	-	1 1/2	6 1/2	9 1/2	5 1/2	1,389	654,00
3	10	11,03	A	1 1/2	-	-	-	1,738	30,00	PHS 240-1A10
		11,03	B	-	1 1/2	4 1/2	6 1/2	3 3/8	1,738	49,00
3	11	12,02	A	1 1/2	-	-	-	1,738	37,00	PHS 240-1A11
		12,02	B	-	1 1/2	4 3/4	7	3 7/8	1,738	66,00
3	12	13,00	A	1 1/2	-	-	-	1,738	45,00	PHS 240-1A12
		13,00	B	-	1 1/2	5 3/8	7 1/2	3 7/8	1,738	72,00
3	13	13,97	A	1 1/2	-	-	-	1,738	54,00	PHS 240-1A13
		13,97	B	-	1 1/2	5 3/8	7 1/2	3 7/8	1,738	81,00
3	14	14,94	A	1 1/2	-	-	-	1,738	62,00	PHS 240-1A14
		14,94	B	-	1 1/2	5 3/8	7 1/2	3 7/8	1,738	88,00
3	15	15,91	A	1 1/2	-	-	-	1,738	68,00	PHS 240-1A15
		15,91	B	-	1 1/2	5 3/8	7 1/2	3 7/8	1,738	98,00
3	16	16,88	A	1 1/2	-	-	-	1,738	82,00	PHS 240-1A16
		16,88	B	-	1 1/2	5 1/2	8	4 1/8	1,738	120,00
3	17	17,85	A	1 1/2	-	-	-	1,738	93,00	PHS 240-1A17
		17,85	B	-	1 1/2	5 1/2	8	4 1/8	1,738	137,00
3	18	18,81	A	1 1/2	-	-	-	1,738	108,00	PHS 240-1A18
		18,81	B	-	1 1/2	5 1/2	8	4 1/8	1,738	142,00
3	19	19,78	A	1 1/2	-	-	-	1,738	120,00	PHS 240-1A19
		19,78	B	-	1 1/2	5 1/2	8	4 1/8	1,738	154,00
3	20	20,74	A	1 1/2	-	-	-	1,738	128,00	PHS 240-1A20
		20,74	B	-	1 1/2	5 1/2	8	4 1/8	1,738	169,00
3	21	21,71	A	1 1/2	-	-	-	1,738	148,00	PHS 240-1A21
		21,71	B	-	1 1/2	5 1/2	8	4 1/8	1,738	186,00
3	25	25,55	A	1 1/2	-	-	-	1,738	208,00	PHS 240-1A25
		25,55	B	-	1 1/2	5 1/2	8	4 1/8	1,738	254,00
3	30	30,34	A	1 1/2	-	-	-	1,738	310,00	PHS 240-1A30
		30,34	C	-	1 1/2	6	9	6 1/4	1,738	398,00
3	35	35,13	A	1 1/2	-	-	-	1,738	416,00	PHS 240-1A35
		35,13	C	-	1 1/2	6	9	6 1/4	1,738	527,00
3	40	39,92	A	1 1/2	-	-	-	1,738	548,00	PHS 240-1A40
		39,92	C	-	1 1/2	7	10	6 3/4	1,738	672,00
3	45	44,70	A	1 1/2	-	-	-	1,738	702,00	PHS 240-1A45
		44,70	C	-	1 1/2	7	10	6 3/4	1,738	850,00
3	54	53,31	A	1 1/2	-	-	-	1,738	1 022,00	PHS 240-1A54

Maximum bores can accommodate standard keyways. Larger bores are available where a shallow keyway is used or no keyway is required. For sprockets with hardened teeth, add "H" before the number of teeth, e.g. PHS 25-1BH9.

ANSI sprockets, simplex, pilot bore

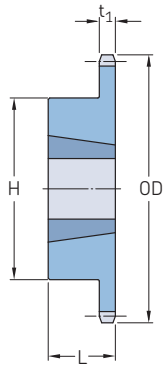
ANSI 240-1 · 3 in. pitch

Pitch	Number of teeth	Outside diameter OD	Type	Dimensions Bore stock	Bore		Hub		Plate thickness t_1	Mass	Designation
					Min.	Max.	H	L			
in.	–	in.	–	in.					lbs.	–	
3	54	53,31	C	–	1 1/2	7	1 0	6 3/4	1,738	1 148,00	PHS 240-1C54
3	60	59,04	A	1 1/2	–	–	–	–	1,738	1 268,00	PHS 240-1A60
		59,04	C	–	1 1/2	7	1 0	6 3/4	1,738	1 419,00	PHS 240-1C60

Maximum bores can accommodate standard keyways. Larger bores are available where a shallow keyway is used or no keyway is required. For sprockets with hardened teeth, add "H" before the number of teeth, e.g. PHS 25-1BH9.

ANSI sprockets, simplex, taper bushed

ANSI 35-1 · 3/8 in. pitch | ANSI 41-1 · 1/2 in. pitch



Type B

Pitch	Number of teeth	Diameters		Pitch	Type	Bushing number	Dimensions				Plate thickness t ₁	Mass Rim	Bushing	Designation
		Outside OD	PD				Min.	Max.	L	H				
in.	-	in.			-	-	in.				lbs.		-	
3/8	18	2,35	2,16	B	1008	3/8	1	7/8	1 7/8	0,168	0,4	0,3	PHS 35-1TB18	
	19	2,47	2,28	B	1008	3/8	1	7/8	1 13/16	0,168	0,5	0,3	PHS 35-1TB19	
	20	2,59	2,40	B	1008	3/8	1	7/8	1 15/16	0,168	0,6	0,3	PHS 35-1TB20	
	21	2,71	2,52	B	1008	3/8	1	7/8	2 1/16	0,168	0,7	0,3	PHS 35-1TB21	
	22	2,88	2,63	B	1210	5/8	1 1/4	1	2 3/8	0,168	0,8	0,6	PHS 35-1TB22	
	23	2,95	2,75	B	1210	5/8	1 1/4	1	2 7/16	0,168	0,9	0,6	PHS 35-1TB23	
	24	3,07	2,87	B	1210	5/8	1 1/4	1	2 7/16	0,168	0,9	0,6	PHS 35-1TB24	
	25	3,19	2,99	B	1210	5/8	1 1/4	1	2 7/16	0,168	1,2	0,6	PHS 35-1TB25	
	26	3,31	3,11	B	1610	1/2	1 5/8	1	2 7/8	0,168	1,1	0,9	PHS 35-1TB26	
	28	3,55	3,35	B	1610	1/2	1 5/8	1	2 7/8	0,168	1,2	0,9	PHS 35-1TB28	
	30	3,79	3,59	B	1610	1/2	1 5/8	1	3 3/8	0,168	1,2	0,9	PHS 35-1TB30	
	32	4,03	3,83	B	1610	1/2	1 5/8	1	3 3/4	0,168	1,3	0,9	PHS 35-1TB32	
	35	4,39	4,18	B	1610	1/2	1 5/8	1	3 3/4	0,168	1,4	0,9	PHS 35-1TB35	
	36	4,51	4,30	B	1610	1/2	1 5/8	1	3 3/4	0,168	1,4	0,9	PHS 35-1TB36	
	40	4,99	4,79	B	1610	1/2	1 5/8	1	3 3/4	0,168	1,9	0,9	PHS 35-1TB40	
	42	5,23	5,02	B	1610	1/2	1 5/8	1	3 3/4	0,168	2,0	0,9	PHS 35-1TB42	
	45	5,59	5,38	B	1610	1/2	1 5/8	1	3 3/4	0,168	2,1	0,9	PHS 35-1TB45	
	48	5,95	5,73	B	1610	1/2	1 5/8	1	3 3/4	0,168	2,3	0,9	PHS 35-1TB48	
	54	6,66	6,45	B	1610	1/2	1 5/8	1	3 3/4	0,168	2,6	0,9	PHS 35-1TB54	
	60	7,38	7,17	B	1610	1/2	1 5/8	1	3 3/4	0,168	3,0	0,9	PHS 35-1TB60	
	70	8,57	8,36	B	1610	1/2	1 5/8	1	3 3/4	0,168	3,7	0,9	PHS 35-1TB70	
	72	8,81	8,60	B	1610	1/2	1 5/8	1	3 3/4	0,168	3,9	0,9	PHS 35-1TB72	
80	9,77	9,55	B	1610	1/2	1 5/8	1	3 3/4	0,168	4,5	0,9	PHS 35-1TB80		
84	10,25	10,03	B	1610	1/2	1 5/8	1	3 3/4	0,168	4,9	0,9	PHS 35-1TB84		
96	11,68	11,46	B	1610	1/2	1 5/8	1	3 3/4	0,168	6,0	0,9	PHS 35-1TB96		
	112	13,59	13,37	B	1610	1/2	1 5/8	1	3 3/4	0,168	7,8	0,9	PHS 35-1TB112	
1/2	14	2,49	2,25	B	1008	3/8	1	7/8	1 7/8	0,227	0,4	0,3	PHS 41-1TB14	
	15	2,65	2,40	B	1008	3/8	1	7/8	1 7/8	0,227	0,5	0,3	PHS 41-1TB15	
	16	2,81	2,50	B	1008	3/8	1	7/8	2	0,227	0,6	0,3	PHS 41-1TB16	
	17	2,97	2,72	B	1210	5/8	1 1/4	1	2 3/8	0,227	0,7	0,6	PHS 41-1TB17	
	18	3,14	2,88	B	1210	5/8	1 1/4	1	3 3/8	0,227	0,9	0,6	PHS 41-1TB18	
	19	3,30	3,04	B	1210	5/8	1 1/4	1	2 3/2	0,227	1,1	0,6	PHS 41-1TB19	
	20	3,46	3,20	B	1610	1/2	1 5/8	1	2 7/8	0,227	1,1	0,9	PHS 41-1TB20	
	21	3,62	3,36	B	1610	1/2	1 5/8	1	3	0,227	1,2	0,9	PHS 41-1TB21	
	22	3,78	3,51	B	1610	1/2	1 5/8	1	3	0,227	1,3	0,9	PHS 41-1TB22	
	23	3,94	3,67	B	1610	1/2	1 5/8	1	3	0,227	1,4	0,9	PHS 41-1TB23	
	24	4,10	3,83	B	1610	1/2	1 5/8	1	3	0,227	1,4	0,9	PHS 41-1TB24	
	25	4,26	3,99	B	1610	1/2	1 5/8	1	3	0,227	1,5	0,9	PHS 41-1TB25	
	26	4,42	4,15	B	1610	1/2	1 5/8	1	3	0,227	1,5	0,9	PHS 41-1TB26	
	28	4,74	4,47	B	1610	1/2	1 5/8	1	3	0,227	1,7	0,9	PHS 41-1TB28	
	30	5,06	4,78	B	1610	1/2	1 5/8	1	3	0,227	1,8	0,9	PHS 41-1TB30	
	32	5,38	5,10	B	1610	1/2	1 5/8	1	3	0,227	1,9	0,9	PHS 41-1TB32	
	35	5,86	5,58	B	1610	1/2	1 5/8	1	3	0,227	2,3	0,9	PHS 41-1TB35	
	36	6,02	5,74	B	1610	1/2	1 5/8	1	3	0,227	2,4	0,9	PHS 41-1TB36	
	40	6,65	6,37	B	1610	1/2	1 5/8	1	3	0,227	2,7	0,9	PHS 41-1TB40	
	45	7,45	7,17	B	1610	1/2	1 5/8	1	3	0,227	3,5	0,9	PHS 41-1TB45	
	48	7,93	7,64	B	1610	1/2	1 5/8	1	3	0,227	4,1	0,9	PHS 41-1TB48	
	54	8,88	8,60	B	1610	1/2	1 5/8	1	3	0,227	4,9	0,9	PHS 41-1TB54	
	60	9,84	9,55	B	1610	1/2	1 5/8	1	3	0,227	5,7	0,9	PHS 41-1TB60	
	70	11,43	11,14	B	1610	1/2	1 5/8	1	3	0,227	7,4	0,9	PHS 41-1TB70	
	72	11,75	11,46	B	1610	1/2	1 5/8	1	3	0,227	8,2	0,9	PHS 41-1TB72	
	80	13,03	12,74	B	1610	1/2	1 5/8	1	3	0,227	9,6	0,9	PHS 41-1TB80	
	96	15,57	15,28	B	1610	1/2	1 5/8	1	3	0,227	13,1	0,9	PHS 41-1TB96	

For sprockets with hardened teeth, add "H" before the number of teeth, e.g. PHS 35-1TBH18.

ANSI sprockets, simplex, taper bushed

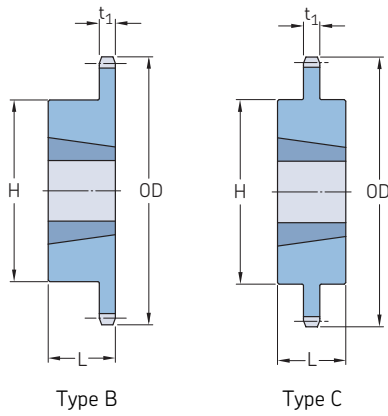
ANSI 40-1 · 1/2 in. pitch | ANSI 50-1 · 5/8 in. pitch | ANSI 60-1 · 3/4 in. pitch

Pitch	Number of teeth	Diameters		Type	Bushing number	Dimensions				Plate thickness t ₁	Mass Rim	Bushing	Designation	
		Outside OD	Pitch PD			Bore Min.	Bore Max.	L	H					
in.	-	in.	-	-	-	in.	-	-	-	lbs.	-	-		
1/2	14	2,49	2,25	B	1008	3/8	1	7/8	1 13/16	0,284	0,3	0,3	PHS 40-1TB14	
	15	2,65	2,40	B	1008	3/8	1	7/8	1 13/16	0,284	0,4	0,3	PHS 40-1TB15	
	16	2,81	2,56	B	1008	3/8	1	7/8	1 15/16	0,284	0,5	0,3	PHS 40-1TB16	
	17	2,98	2,72	B	1210	5/8	1 1/4	1	2 3/8	0,284	0,5	0,3	PHS 40-1TB17	
	18	3,13	2,88	B	1210	5/8	1 1/4	1	2 25/32	0,284	0,6	0,6	PHS 40-1TB18	
	19	3,30	3,04	B	1210	5/8	1 1/4	1	2 25/32	0,284	0,7	0,6	PHS 40-1TB19	
	20	3,46	3,20	B	1610	1/2	1 5/8	1	2 25/32	0,284	0,7	0,9	PHS 40-1TB20	
	21	3,62	3,36	B	1610	1/2	1 5/8	1	2 25/32	0,284	0,8	0,9	PHS 40-1TB21	
	22	3,78	3,51	B	1610	1/2	1 5/8	1	2 25/32	0,284	0,9	0,9	PHS 40-1TB22	
	23	3,94	3,67	B	1610	1/2	1 5/8	1	3	0,284	1,0	0,9	PHS 40-1TB23	
	24	4,10	3,83	B	1610	1/2	1 5/8	1	3 1/4	0,284	1,4	0,9	PHS 40-1TB24	
	25	4,26	3,99	B	1610	1/2	1 5/8	1	3 1/4	0,284	1,5	0,9	PHS 40-1TB25	
	26	4,42	4,15	B	1610	1/2	1 5/8	1	3 1/4	0,284	1,7	0,9	PHS 40-1TB26	
	28	4,74	4,47	B	1610	1/2	1 5/8	1	3	0,284	1,8	0,9	PHS 40-1TB28	
	30	5,06	4,78	B	1610	1/2	1 5/8	1	3	0,284	1,9	0,9	PHS 40-1TB30	
	32	5,38	5,10	B	1610	1/2	1 5/8	1	3	0,284	1,9	0,9	PHS 40-1TB32	
	35	5,86	5,58	B	1610	1/2	1 5/8	1	3	0,284	2,3	0,9	PHS 40-1TB35	
	36	6,01	5,74	B	1610	1/2	1 5/8	1	3	0,284	2,4	0,9	PHS 40-1TB36	
	40	6,65	6,37	B	1610	1/2	1 5/8	1	3	0,284	2,8	0,9	PHS 40-1TB40	
	42	6,97	6,69	B	1610	1/2	1 5/8	1	3	0,284	2,9	0,9	PHS 40-1TB42	
	45	7,45	7,17	B	1610	1/2	1 5/8	1	3	0,284	3,5	0,9	PHS 40-1TB45	
	48	7,93	7,64	B	1610	1/2	1 5/8	1	3	0,284	4,0	0,9	PHS 40-1TB48	
	54	8,88	8,60	B	1610	1/2	1 5/8	1	3	0,284	4,9	0,9	PHS 40-1TB54	
	60	9,84	9,55	B	1610	1/2	1 5/8	1	3	0,284	6,0	0,9	PHS 40-1TB60	
	70	11,43	11,14	B	2012	3/4	2	1 1/4	3 9/16	0,284	8,2	1,7	PHS 40-1TB70	
	72	11,75	11,46	B	2012	3/4	2	1 1/4	3 9/16	0,284	9,0	1,7	PHS 40-1TB72	
	80	13,03	12,74	B	2012	3/4	2	1 1/4	3 9/16	0,284	10,8	1,7	PHS 40-1TB80	
	84	13,66	13,37	B	2012	3/4	2	1 1/4	3 9/16	0,284	11,3	1,7	PHS 40-1TB84	
	96	15,57	15,28	B	2012	3/4	2	1 1/4	3 9/16	0,284	14,6	1,7	PHS 40-1TB96	
	112	18,12	17,83	B	2517	3/4	2 1/2	1 3/4	4 1/4	0,284	20,5	1,7	PHS 40-1TB112	
	5/8	12	2,71	2,42	B	1008	3/8	1	7/8	1 15/16	0,343	0,5	0,3	PHS 50-1TB12
		13	2,91	2,61	B	1008	3/8	1	7/8	1 13/16	0,343	0,5	0,3	PHS 50-1TB13
		14	3,11	2,81	B	1008	3/8	1	7/8	1 15/16	0,343	0,6	0,3	PHS 50-1TB14
		15	3,31	3,01	B	1210	5/8	1 1/4	1	2 25/32	0,343	0,7	0,6	PHS 50-1TB15
		16	3,52	3,20	B	1610	1/2	1 5/8	1	2 25/32	0,343	0,7	0,9	PHS 50-1TB16
		17	3,72	3,40	B	1610	1/2	1 5/8	1	2 25/32	0,343	0,8	0,9	PHS 50-1TB17
		18	3,92	3,60	B	1610	1/2	1 5/8	1	2 25/32	0,343	0,9	0,9	PHS 50-1TB18
		19	4,12	3,80	B	1610	1/2	1 5/8	1	3	0,343	1,3	0,9	PHS 50-1TB19
		20	4,32	4,00	B	1610	1/2	1 5/8	1	3 1/4	0,343	1,6	0,9	PHS 50-1TB20
		21	4,52	4,19	B	1610	1/2	1 5/8	1	3	0,343	1,5	0,9	PHS 50-1TB21
22		4,72	4,39	B	1610	1/2	1 5/8	1	3	0,343	1,6	0,9	PHS 50-1TB22	
23		4,92	4,59	B	2012	3/4	2	1 1/4	3 9/16	0,343	2,0	1,7	PHS 50-1TB23	
24		5,12	4,79	B	2012	3/4	2	1 1/4	3 9/16	0,343	2,2	1,7	PHS 50-1TB24	
25		5,32	4,99	B	2012	3/4	2	1 1/4	3 9/16	0,343	2,4	1,7	PHS 50-1TB25	
26		5,52	5,18	B	2012	3/4	2	1 1/4	3 9/16	0,343	2,5	1,7	PHS 50-1TB26	
27		5,72	5,38	B	2012	3/4	2	1 1/4	3 9/16	0,343	2,6	1,7	PHS 50-1TB27	
28		5,92	5,58	B	2012	3/4	2	1 1/4	3 9/16	0,343	2,8	1,7	PHS 50-1TB28	
30		6,32	5,98	B	2012	3/4	2	1 1/4	3 9/16	0,343	3,2	1,7	PHS 50-1TB30	
32		6,72	6,38	B	2012	3/4	2	1 1/4	3 9/16	0,343	3,6	1,7	PHS 50-1TB32	
35		7,32	6,97	B	2012	3/4	2	1 1/4	3 9/16	0,343	4,2	1,7	PHS 50-1TB35	
36		7,52	7,17	B	2012	3/4	2	1 1/4	3 9/16	0,343	4,3	1,7	PHS 50-1TB36	
40		8,32	7,97	B	2012	3/4	2	1 1/4	3 9/16	0,343	5,2	1,7	PHS 50-1TB40	
42		8,71	8,36	B	2012	3/4	2	1 1/4	3 9/16	0,343	5,9	1,7	PHS 50-1TB42	
45		9,31	8,96	B	2012	3/4	2	1 1/4	3 9/16	0,343	6,5	1,7	PHS 50-1TB45	
48		9,91	9,56	B	2012	3/4	2	1 1/4	3 9/16	0,343	7,3	1,7	PHS 50-1TB48	
54		11,11	10,75	B	2012	3/4	2	1 1/4	3 9/16	0,343	9,0	1,7	PHS 50-1TB54	
60		12,30	11,94	B	2012	3/4	2	1 1/4	3 9/16	0,343	10,8	1,7	PHS 50-1TB60	
70		14,29	13,93	B	2517	3/4	2 1/2	1 3/4	3 1/4	0,343	14,0	3,5	PHS 50-1TB70	
72		14,69	14,33	B	2517	3/4	2 1/2	1 3/4	3 1/4	0,343	15,5	3,5	PHS 50-1TB72	
80		16,28	15,92	B	2517	3/4	2 1/2	1 3/4	3 1/4	0,343	19,5	3,5	PHS 50-1TB80	
84		17,08	16,71	B	2517	3/4	2 1/2	1 3/4	3 1/4	0,343	22,5	3,5	PHS 50-1TB84	
96		19,47	19,10	B	2517	3/4	2 1/2	1 3/4	3 1/4	0,343	29,0	3,5	PHS 50-1TB96	
112		22,65	22,29	B	2517	3/4	2 1/2	1 3/4	3 1/4	0,343	38,7	3,5	PHS 50-1TB112	
3/4		11	3,00	2,66	B	1008	3/8	1	7/8	1 13/16	0,459	0,6	0,3	PHS 60-1TB11
		12	3,25	2,90	B	1008	3/8	1	7/8	1 15/16	0,459	0,8	0,3	PHS 60-1TB12
		13	3,49	3,13	B	1210	5/8	1 1/4	1	2 25/32	0,459	0,8	0,6	PHS 60-1TB13
		14	3,74	3,37	B	1210	5/8	1 1/4	1	2 25/32	0,459	1,0	0,6	PHS 60-1TB14
		15	3,98	3,61	B	1610	1/2	1 5/8	1	2 25/32	0,459	1,0	0,9	PHS 60-1TB15
		16	4,22	3,84	B	1610	1/2	1 5/8	1	3	0,459	1,4	0,9	PHS 60-1TB16
		17	4,46	4,08	B	1610	1/2	1 5/8	1	3 1/4	0,459	1,8	0,9	PHS 60-1TB17
	18	4,70	4,32	B	1610	1/2	1 5/8	1	3 1/4	0,459	1,9	0,9	PHS 60-1TB18	
	19	4,95	4,56	B	1610	1/2	1 5/8	1	3 1/4	0,459	2,2	0,9	PHS 60-1TB19	
	20	5,18	4,79	B	2012	3/4	2	1 1/4	3 9/16	0,459	2,2	1,7	PHS 60-1TB20	

For sprockets with hardened teeth, add "H" before the number of teeth, e.g. PHS 35-1TBH18.

ANSI sprockets, simplex, taper bushed

ANSI 60-1 · 3/4 in. pitch | ANSI 80-1 · 1 in. pitch | ANSI 100-1 · 1 1/4 in. pitch



Pitch	Number of teeth	Diameters		Pitch	Type	Bushing number	Dimensions				Plate thickness t ₁	Mass Rim	Bushing	Designation
		Outside	PD				Bore	Min.	Max.	L				
in.	-	in.	in.	in.	-	-	in.	in.	in.	in.	in.	lbs.	in.	-
3/4	21	5.43	5.03	B	2012	3/4	2	1 1/4	3 9/16	0.459	2.5	1.7	PHS 60-1TB21	
	22	5.67	5.27	B	2012	3/4	2	1 1/4	3 9/16	0.459	2.8	1.7	PHS 60-1TB22	
	23	5.91	5.51	B	2012	3/4	2	1 1/4	3 9/16	0.459	3.1	1.7	PHS 60-1TB23	
	24	6.15	5.75	B	2012	3/4	2	1 1/4	3 9/16	0.459	3.4	1.7	PHS 60-1TB24	
	25	6.39	5.98	B	2012	3/4	2	1 1/4	3 9/16	0.459	3.7	1.7	PHS 60-1TB25	
	26	6.63	6.22	B	2012	3/4	2	1 1/4	3 9/16	0.459	4.0	1.7	PHS 60-1TB26	
	27	6.87	6.42	B	2012	3/4	2	1 1/4	3 9/16	0.459	4.2	1.7	PHS 60-1TB27	
	28	7.11	6.70	B	2012	3/4	2	1 1/4	3 9/16	0.459	4.6	1.7	PHS 60-1TB28	
	30	7.59	7.17	B	2012	3/4	2	1 1/4	3 9/16	0.459	5.2	1.7	PHS 60-1TB30	
	32	8.06	7.65	B	2012	3/4	2	1 1/4	3 9/16	0.459	5.6	1.7	PHS 60-1TB32	
	35	8.78	8.37	B	2012	3/4	2	1 1/4	3 9/16	0.459	6.4	1.7	PHS 60-1TB35	
	36	9.02	8.61	B	2012	3/4	2	1 1/4	3 9/16	0.459	6.6	1.7	PHS 60-1TB36	
	40	9.98	9.56	B	2012	3/4	2	1 1/4	3 9/16	0.459	8.3	1.7	PHS 60-1TB40	
	42	10.46	10.04	B	2012	3/4	2	1 1/4	3 9/16	0.459	10.0	1.7	PHS 60-1TB42	
	45	11.18	10.75	B	2012	3/4	2	1 1/4	3 9/16	0.459	11.5	1.7	PHS 60-1TB45	
	48	11.89	11.47	B	2012	3/4	2	1 1/4	3 9/16	0.459	13.2	1.7	PHS 60-1TB48	
	54	13.33	12.90	B	2517	3/4	2 1/2	1 3/4	4 1/4	0.459	17.1	3.5	PHS 60-1TB54	
	60	14.76	14.33	B	2517	3/4	2 1/2	1 3/4	4 1/4	0.459	21.0	3.5	PHS 60-1TB60	
	70	17.15	16.72	B	2517	3/4	2 1/2	1 3/4	4 1/4	0.459	27.6	3.5	PHS 60-1TB70	
	72	17.63	17.19	B	2517	3/4	2 1/2	1 3/4	4 1/4	0.459	30.0	3.5	PHS 60-1TB72	
	80	19.54	19.10	B	2517	3/4	2 1/2	1 3/4	4 1/4	0.459	36.3	3.5	PHS 60-1TB80	
	84	20.49	20.06	B	2517	3/4	2 1/2	1 3/4	4 1/4	0.459	40.6	3.5	PHS 60-1TB84	
	1	10	3.68	3.24	B	1215	5/8	1 1/4	1 1/2	2 3/8	0.575	1.1	0.8	PHS 80-1TB10
		11	4.01	3.55	B	1215	5/8	1 1/4	1 1/2	2 35/32	0.575	1.5	0.8	PHS 80-1TB11
		12	4.33	3.86	B	1615	1/2	1 5/8	1 1/2	3	0.575	1.8	1.2	PHS 80-1TB12
13		4.66	4.18	B	1615	1/2	1 5/8	1 1/2	3	0.575	2.3	1.2	PHS 80-1TB13	
14		4.98	4.49	B	1615	1/2	1 5/8	1 1/2	3 1/4	0.575	2.5	1.2	PHS 80-1TB14	
15		5.30	4.81	B	1615	1/2	1 5/8	1 1/2	3 1/4	0.575	2.7	1.2	PHS 80-1TB15	
16		5.63	5.13	B	2012	3/4	2	1 1/4	3 9/16	0.575	2.8	1.7	PHS 80-1TB16	
17		5.95	5.44	B	2012	3/4	2	1 1/4	3 9/16	0.575	3.1	1.7	PHS 80-1TB17	
18		6.27	5.76	B	2012	3/4	2	1 1/4	3 9/16	0.575	2.6	1.7	PHS 80-1TB18	
19		6.59	6.08	B	2012	3/4	2	1 1/4	3 9/16	0.575	4.1	1.7	PHS 80-1TB19	
20		6.91	6.39	B	2517	3/4	2 1/2	1 3/4	4 1/4	0.575	5.5	1.7	PHS 80-1TB20	
21		7.24	6.71	B	2517	3/4	2 1/2	1 3/4	4 1/4	0.575	6.0	3.5	PHS 80-1TB21	
22		7.55	7.03	B	2517	3/4	2 1/2	1 3/4	4 1/4	0.575	6.5	3.5	PHS 80-1TB22	
23		7.88	7.34	B	2517	3/4	2 1/2	1 3/4	4 1/4	0.575	7.0	3.5	PHS 80-1TB23	
24		8.20	7.66	B	2517	3/4	2 1/2	1 3/4	4 1/4	0.575	7.5	3.5	PHS 80-1TB24	
25		8.52	7.98	B	2517	3/4	2 1/2	1 3/4	4 1/4	0.575	8.1	3.5	PHS 80-1TB25	
26		8.84	8.30	B	2517	3/4	2 1/2	1 3/4	4 1/4	0.575	8.8	3.5	PHS 80-1TB26	
27		9.16	8.61	B	2517	3/4	2 1/2	1 3/4	4 1/4	0.575	9.0	3.5	PHS 80-1TB27	
28		9.47	8.93	B	2517	3/4	2 1/2	1 3/4	4 1/4	0.575	9.5	3.5	PHS 80-1TB28	
30		10.11	9.57	B	2517	3/4	2 1/2	1 3/4	4 1/4	0.575	11.5	3.5	PHS 80-1TB30	
32		10.75	10.20	B	2517	3/4	2 1/2	1 3/4	4 1/4	0.575	12.0	3.5	PHS 80-1TB32	
35		11.71	11.16	B	2517	3/4	2 1/2	1 3/4	4 1/4	0.575	15.2	3.5	PHS 80-1TB35	
36		12.03	11.47	B	2517	3/4	2 1/2	1 3/4	4 1/4	0.575	17.0	3.5	PHS 80-1TB36	
40		13.31	12.75	B	2517	3/4	2 1/2	1 3/4	4 1/4	0.575	21.0	3.5	PHS 80-1TB40	
45		14.90	14.34	B	2517	3/4	2 1/2	1 3/4	4 1/4	0.575	26.5	3.5	PHS 80-1TB45	
48		15.86	15.29	B	2517	3/4	2 1/2	1 3/4	4 1/4	0.575	29.5	3.5	PHS 80-1TB48	
54		17.77	17.20	B	2517	3/4	2 1/2	1 3/4	4 1/4	0.575	38.5	3.5	PHS 80-1TB54	
60		19.68	19.11	B	2517	3/4	2 1/2	1 3/4	4 1/4	0.575	45.0	3.5	PHS 80-1TB60	
70		22.87	22.29	B	3020	1 1/4	3	2	5 1/4	0.575	52.3	6.5	PHS 80-1TB70	
80		26.05	25.47	B	3020	1 1/4	3	2	5 1/4	0.575	69.2	6.5	PHS 80-1TB80	
1 1/4		11	5.01	4.44	B	1615	1/2	1 5/8	1 1/2	3	0.692	2.7	1.2	PHS 100-1TB11

For sprockets with hardened teeth, add "H" before the number of teeth, e.g. PHS 35-1TBH18.

ANSI sprockets, simplex, taper bushed

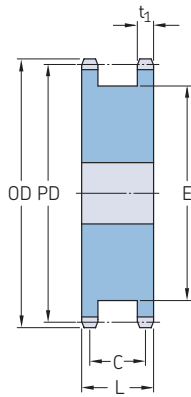
ANSI 100-1 · 1 1/4 in. pitch | ANSI 120-1 · 1 1/2 in. pitch | ANSI 140-1 · 1 3/4 in. pitch | ANSI 160-1 · 2 in. pitch

Pitch	Number of teeth	Diameters		Type	Bushing number	Dimensions				Plate thickness t_1	Mass Rim	Bushing	Designation	
		Outside OD	Pitch PD			Bore Min.	Bore Max.	L	H					
in.	-	in.	-	-	-	in.	-	-	-	lbs.	-	-		
1 1/4	12	5,42	4,83	B	1615	1/2	1 5/8	1 1/2	3 1/4	0,692	3,5	1,2	PHS 100-1TB12	
	13	5,82	5,22	B	2012	3/4	2	1 1/4	3 9/16	0,692	3,6	1,7	PHS 100-1TB13	
	14	6,23	5,62	B	2012	3/4	2	1 1/4	3 9/16	0,692	3,9	1,7	PHS 100-1TB14	
	15	6,63	6,01	B	2517	3/4	2 1/2	1 3/4	4 1/4	0,692	5,0	3,5	PHS 100-1TB15	
	16	7,03	6,41	B	2517	3/4	2 1/2	1 3/4	4 1/2	0,692	6,4	3,5	PHS 100-1TB16	
	17	7,44	6,80	B	2517	3/4	2 1/2	1 3/4	4 1/2	0,692	7,1	3,5	PHS 100-1TB17	
	18	7,84	7,20	B	2517	3/4	2 1/2	1 3/4	4 1/2	0,692	7,8	3,5	PHS 100-1TB18	
	19	8,24	7,59	B	2517	3/4	2 1/2	1 3/4	4 1/2	0,692	8,7	3,5	PHS 100-1TB19	
	20	8,64	7,99	B	2517	3/4	2 1/2	1 3/4	4 1/2	0,692	9,6	3,5	PHS 100-1TB20	
	21	9,04	8,39	B	2517	3/4	2 1/2	1 3/4	4 1/2	0,692	10,6	3,5	PHS 100-1TB21	
	22	9,44	8,78	B	2517	3/4	2 1/2	1 3/4	4 1/2	0,692	11,0	3,5	PHS 100-1TB22	
	24	10,24	9,58	B	2517	3/4	2 1/2	1 3/4	4 1/2	0,692	13,0	3,5	PHS 100-1TB24	
	26	11,04	10,37	B	2517	3/4	2 1/2	1 3/4	4 1/2	0,692	15,0	3,5	PHS 100-1TB26	
	28	11,84	11,16	B	3020	1 1/4	3	2	5 1/4	0,692	16,5	6,5	PHS 100-1TB28	
	30	12,64	11,96	B	3020	1 1/4	3	2	5 1/4	0,692	22,0	6,5	PHS 100-1TB30	
	32	13,44	12,75	B	3020	1 1/4	3	2	5 1/4	0,692	23,0	6,5	PHS 100-1TB32	
	35	14,64	13,95	B	3020	1 1/4	3	2	5 1/4	0,692	28,0	6,5	PHS 100-1TB35	
	36	15,04	14,34	B	3020	1 1/4	3	2	5 1/4	0,692	31,0	6,5	PHS 100-1TB36	
	40	16,63	15,93	B	3020	1 1/4	3	2	5 1/4	0,692	37,0	6,5	PHS 100-1TB40	
	45	18,63	17,92	B	3020	1 1/4	3	2	5 1/4	0,692	46,0	6,5	PHS 100-1TB45	
	48	19,82	19,11	B	3020	1 1/4	3	2	5 1/4	0,692	53,0	6,5	PHS 100-1TB48	
	54	22,21	21,50	B	3020	1 1/4	3	2	5 1/4	0,692	62,0	6,5	PHS 100-1TB54	
	60	24,60	23,88	B	3020	1 1/4	3	2	5 1/4	0,692	72,0	6,5	PHS 100-1TB60	
	1 1/2	12	6,50	5,80	B	2012	3/4	2	1 1/4	3 9/16	0,924	5,5	1,7	PHS 120-1TB12
		13	6,90	6,27	B	2517	3/4	2 1/2	1 3/4	4 1/4	0,924	6,0	3,5	PHS 120-1TB13
		14	7,47	6,74	B	2517	3/4	2 1/2	1 3/4	4 1/4	0,924	7,0	3,5	PHS 120-1TB14
		15	7,96	7,21	B	2517	3/4	2 1/2	1 3/4	4 1/4	0,924	8,0	3,5	PHS 120-1TB15
		16	8,44	7,69	B	3020	1 1/4	3	2	5 1/4	0,924	10,0	6,5	PHS 120-1TB16
		17	8,92	8,16	B	3020	1 1/4	3	2	5 1/4	0,924	11,0	6,5	PHS 120-1TB17
		18	9,41	8,64	B	3020	1 1/4	3	2	5 1/4	0,924	12,0	6,5	PHS 120-1TB18
19		9,89	9,11	B	3020	1 1/4	3	2	5 1/4	0,924	14,0	6,5	PHS 120-1TB19	
20		10,37	9,59	B	3020	1 1/4	3	2	5 1/4	0,924	15,5	6,5	PHS 120-1TB20	
21		10,85	10,06	B	3020	1 1/4	3	2	5 1/4	0,924	17,5	6,5	PHS 120-1TB21	
24		12,29	11,49	B	3020	1 1/4	3	2	5 1/4	0,924	23,5	6,5	PHS 120-1TB24	
26		13,25	12,44	B	3020	1 1/4	3	2	5 1/4	0,924	28,5	6,5	PHS 120-1TB26	
30		15,17	14,35	B	3020	1 1/4	3	2	5 1/4	0,924	33,5	6,5	PHS 120-1TB30	
35		17,57	16,73	C	3020	1 1/4	3	2	5 1/4	0,924	52,0	6,5	PHS 120-1TB35	
45		22,35	21,50	C	3030	1 1/4	3	3	5 7/8	0,924	82,0	9,2	PHS 120-1TB45	
60		29,52	28,66	C	3535	1 1/2	3 1/2	3 1/2	6 1/2	0,924	140,0	14,0	PHS 120-1TB60	
70		34,30	33,43	C	3535	1 1/2	3 1/2	3 1/2	6 1/2	0,924	175,0	14,0	PHS 120-1TB70	
80		39,08	38,21	C	3535	1 1/2	3 1/4	3 1/2	6 1/2	0,924	220,0	14,0	PHS 120-1TB80	
1 3/4		12	7,58	6,76	B	2517	3/4	2 1/2	1 3/4	4 1/4	0,924	7,0	3,5	PHS 140-1TB12
		13	8,15	7,31	B	3020	1 1/4	3	2	5 1/4	0,924	8,0	6,5	PHS 140-1TB13
		14	8,72	7,86	B	3020	1 1/4	3	2	5 1/4	0,924	10,0	6,5	PHS 140-1TB14
		15	9,28	8,42	B	3020	1 1/4	3	2	5 1/4	0,924	12,0	6,5	PHS 140-1TB15
		16	9,85	8,97	B	3020	1 1/4	3	2	5 1/4	0,924	14,0	6,5	PHS 140-1TB16
		17	10,41	9,52	B	3020	1 1/4	3	2	5 1/4	0,924	16,0	6,5	PHS 140-1TB17
		18	10,97	10,08	B	3020	1 1/4	3	2	5 1/4	0,924	18,0	6,5	PHS 140-1TB18
		19	11,54	10,63	B	3020	1 1/4	3	2	5 1/4	0,924	20,0	6,5	PHS 140-1TB19
		21	12,66	11,74	B	3020	1 1/4	3	2	5 1/4	0,924	24,0	6,5	PHS 140-1TB21
		26	15,46	14,52	B	3020	1 1/4	3	2	5 1/4	0,924	40,0	6,5	PHS 140-1TB26
		35	20,49	19,52	C	3535	1 1/2	3 1/2	3 1/2	6 1/2	0,924	78,0	14,0	PHS 140-1TB35
		45	26,08	25,09	C	4040	1 3/4	4	4	7 3/4	0,924	118,0	22,0	PHS 140-1TB45
	60	34,44	33,44	C	4040	1 3/4	4	4	7 3/4	0,924	188,0	22,0	PHS 140-1TB60	
	70	40,02	39,01	C	4040	1 3/4	4	4	7 3/4	0,924	241,0	22,0	PHS 140-1TB70	
	2	11	8,01	7,10	B	2517	3/4	2 1/2	1 3/4	4 1/4	1,156	9,0	3,5	PHS 160-1TB11
		12	8,66	7,73	B	3020	1 1/4	3	2	5 1/4	1,156	11,0	6,5	PHS 160-1TB12
		13	9,31	8,36	B	3020	1 1/4	3	2	5 1/4	1,156	13,0	6,5	PHS 160-1TB13
		14	9,96	8,99	B	3020	1 1/4	3	2	5 1/4	1,156	16,0	6,5	PHS 160-1TB14
		15	10,61	9,62	B	3535	1 1/2	3 1/2	3 1/2	6 1/2	1,156	25,0	14,0	PHS 160-1TB15
		16	11,26	10,25	B	3535	1 1/2	3 1/2	3 1/2	6 1/2	1,156	28,0	14,0	PHS 160-1TB16
		17	11,90	10,88	B	3535	1 1/2	3 1/2	3 1/2	6 1/2	1,156	32,0	14,0	PHS 160-1TB17
		18	12,54	11,52	B	3535	1 1/2	3 1/2	3 1/2	6 1/2	1,156	35,0	14,0	PHS 160-1TB18
		19	13,19	12,15	B	3535	1 1/2	3 1/2	3 1/2	6 1/2	1,156	39,0	14,0	PHS 160-1TB19
		21	14,47	13,42	B	3535	1 1/2	3 1/2	3 1/2	6 1/2	1,156	48,0	14,0	PHS 160-1TB21
		26	17,67	16,59	B	3535	1 1/2	3 1/2	3 1/2	6 1/2	1,156	68,0	14,0	PHS 160-1TB26
		35	23,42	22,31	C	4040	1 3/4	4	4	7 3/4	1,156	118,0	14,0	PHS 160-1TB35
		45	29,80	28,67	C	4040	1 3/4	4	4	7 3/4	1,156	186,0	22,0	PHS 160-1TB45
		60	39,36	38,22	C	4545	2 1/8	4 1/2	4 1/2	7 3/4	1,156	292,0	30,0	PHS 160-1TB60

For sprockets with hardened teeth, add "H" before the number of teeth, e.g. PHS 35-1TBH18.

ANSI sprockets, double simplex, pilot bore

ANSI 40-1 · 1/2 in. pitch | ANSI 50-1 · 5/8 in. pitch | ANSI 60-1 · 3/4 in. pitch | ANSI 80-1 · 1 in. pitch |
ANSI 100-1 · 1 1/4 in. pitch



Type A

Pitch	Number of teeth	Diameters Outside		Pitch	Type	Dimensions Bore			Plate thickness t ₁	Mass	Designation	
		OD	PD			Min.	Max.	L				C
in.	-	in.	in.	-	-	in.	in.	in.	in.	lbs.	-	
1/2	15	2,65	2,40	A	1/2	1 1/4	1 13/32	1 1/8	1 13/16	0,284	1,2	PHS 40-1DSA15
	16	2,81	2,56	A	1/2	1 1/4	1 13/32	1 1/8	2	0,284	1,4	PHS 40-1DSA16
	17	2,98	2,72	A	1/2	1 5/16	1 13/32	1 1/8	2 1/8	0,284	1,6	PHS 40-1DSA17
	18	3,14	2,88	A	1/2	1 1/2	1 13/32	1 1/8	2 5/16	0,284	1,8	PHS 40-1DSA18
	19	3,30	3,04	A	5/8	1 11/16	1 13/32	1 1/8	2 1/2	0,284	2,2	PHS 40-1DSA19
	20	3,46	3,20	A	5/8	1 3/4	1 13/32	1 1/8	2 5/8	0,284	2,6	PHS 40-1DSA20
	21	3,62	3,36	A	5/8	1 3/4	1 13/32	1 1/8	2 25/32	0,284	2,9	PHS 40-1DSA21
	22	3,78	3,51	A	5/8	1 13/16	1 13/32	1 1/8	2 15/16	0,284	3,0	PHS 40-1DSA22
	23	3,94	3,67	A	5/8	2 1/16	1 13/32	1 1/8	2 3/32	0,284	3,5	PHS 40-1DSA23
	24	4,10	3,83	A	5/8	2 1/4	1 13/32	1 1/8	2 17/64	0,284	4,0	PHS 40-1DSA24
25	4,26	3,99	A	5/8	2 1/4	1 13/32	1 1/8	2 7/16	0,284	4,5	PHS 40-1DSA25	
5/8	15	3,32	3,01	A	5/8	1 1/2	1 21/32	1 3/16	2 3/8	0,343	2,1	PHS 50-1DSA15
	16	3,52	3,20	A	5/8	1 11/16	1 21/32	1 5/16	2 1/2	0,343	2,4	PHS 50-1DSA16
	17	3,72	3,40	A	5/8	1 3/4	1 21/32	1 5/16	2 11/16	0,343	2,9	PHS 50-1DSA17
	18	3,92	3,60	A	5/8	1 7/8	1 21/32	1 5/16	2 57/64	0,343	3,3	PHS 50-1DSA18
	19	4,12	3,80	A	5/8	2 1/16	1 21/32	1 5/16	3 5/64	0,343	3,7	PHS 50-1DSA19
	20	4,32	4,00	A	5/8	2 1/4	1 21/32	1 5/16	3 9/32	0,343	4,2	PHS 50-1DSA20
	21	4,52	4,19	A	5/8	2 1/4	1 21/32	1 5/16	3 31/64	0,343	4,8	PHS 50-1DSA21
	22	4,72	4,39	A	5/8	2 7/16	1 21/32	1 5/16	3 11/16	0,343	5,3	PHS 50-1DSA22
	23	4,92	4,59	A	5/8	2 5/8	1 21/32	1 5/16	3 57/64	0,343	5,8	PHS 50-1DSA23
	24	5,12	4,79	A	5/8	2 3/4	1 21/32	1 5/16	4 5/64	0,343	6,3	PHS 50-1DSA24
3/4	13	3,49	3,13	A	3/4	1 1/4	1 15/16	1 11/64	2 11/32	0,459	2,6	PHS 60-1DSA13
	14	3,74	3,37	A	3/4	1 5/16	1 15/16	1 31/64	2 9/16	0,459	3,2	PHS 60-1DSA14
	15	3,98	3,61	A	3/4	1 1/2	1 15/16	1 31/64	2 7/8	0,459	3,8	PHS 60-1DSA15
	16	4,22	3,84	A	3/4	1 11/16	1 15/16	1 31/64	3 3/64	0,459	4,5	PHS 60-1DSA16
	17	4,46	4,08	A	3/4	1 3/4	1 15/16	1 31/64	3 1/4	0,459	5,3	PHS 60-1DSA17
	18	4,70	4,32	A	3/4	1 7/8	1 15/16	1 31/64	3 1/2	0,459	6,5	PHS 60-1DSA18
	19	4,95	4,56	A	3/4	2 1/16	1 15/16	1 31/64	3 45/64	0,459	6,8	PHS 60-1DSA19
	20	5,19	4,79	A	3/4	2 1/4	1 15/16	1 31/64	3 61/64	0,459	7,0	PHS 60-1DSA20
	21	5,43	5,03	A	3/4	2 3/4	1 15/16	1 31/64	4 3/16	0,459	7,5	PHS 60-1DSA21
	22	5,67	5,27	A	3/4	2 3/4	1 15/16	1 31/64	4 7/16	0,459	11,0	PHS 60-1DSA22
23	5,91	5,51	A	3/4	2 3/4	1 15/16	1 31/64	4 21/32	0,459	11,5	PHS 60-1DSA23	
24	6,15	5,75	A	3/4	2 3/4	1 15/16	1 31/64	4 38/32	0,459	12,0	PHS 60-1DSA24	
1	13	4,66	4,18	A	1	2	2 3/16	1 5/8	3 1/64	0,575	6,5	PHS 80-1DSA13
	14	4,98	4,49	A	1	2 1/4	2 3/16	1 5/8	3 11/32	0,575	7,7	PHS 80-1DSA14
	15	5,30	4,81	A	1	2 3/8	2 3/16	1 5/8	3 13/16	0,575	9,1	PHS 80-1DSA15
	16	5,63	5,13	A	1	2 11/16	2 3/16	1 5/8	4	0,575	9,5	PHS 80-1DSA16
	17	5,95	5,44	A	1	2 13/16	2 3/16	1 5/8	4 5/16	0,575	10,8	PHS 80-1DSA17
	18	6,27	5,76	A	1	3 1/8	2 3/16	1 5/8	4 41/64	0,575	12,1	PHS 80-1DSA18
	19	6,59	6,08	A	1	3 1/4	2 3/16	1 5/8	4 61/64	0,575	12,8	PHS 80-1DSA19
	20	6,91	6,39	A	1	3 1/2	2 3/16	1 5/8	5 9/32	0,575	14,0	PHS 80-1DSA20
	21	7,24	6,71	A	1	3 3/4	2 3/16	1 5/8	5 19/32	0,575	16,5	PHS 80-1DSA21
	22	7,56	7,03	A	1	3 7/8	2 3/16	1 5/8	5 59/64	0,575	18,4	PHS 80-1DSA22
23	7,88	7,34	A	1	3 7/8	2 3/16	1 5/8	6 15/64	0,575	20,5	PHS 80-1DSA23	
1 1/4	13	5,82	5,22	A	1	2 1/2	2 11/16	2	3 25/32	0,692	11,2	PHS 100-1DSA13
	14	6,23	5,62	A	1	2 3/4	2 11/16	2	4 3/16	0,692	13,5	PHS 100-1DSA14
	15	6,63	6,01	A	1	2 11/8	2 11/16	2	4 19/32	0,692	16,8	PHS 100-1DSA15
	16	7,03	6,41	A	1	2 1/2	2 11/16	2	5	0,692	19,3	PHS 100-1DSA16
	17	7,44	6,80	A	1	2 5/8	2 11/16	2	5 13/32	0,692	21,5	PHS 100-1DSA17
	18	7,84	7,20	A	1	2 3/4	2 11/16	2	5 51/64	0,692	23,0	PHS 100-1DSA18
	19	8,24	7,59	A	1	2 3/4	2 11/16	2	6 13/64	0,692	25,0	PHS 100-1DSA19
	20	8,64	7,99	A	1	2 3/4	2 11/16	2	6 39/64	0,692	26,5	PHS 100-1DSA20

For sprockets with hardened teeth, add "H" before the number of teeth, e.g. PHS 40-1DSA15H.

ANSI sprockets, double simplex, pilot bore

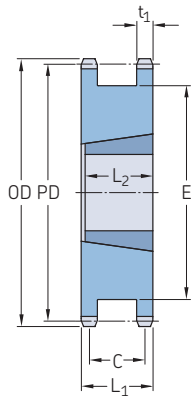
ANSI 100-1 · 1 1/4 in. pitch | ANSI 120-1 · 1 1/2 in. pitch | ANSI 140-1 · 1 3/4 in. pitch | ANSI 160-1 · 2 in. pitch

Pitch	Number of teeth	Diameters Outside		Pitch	Type	Dimensions Bore			Plate thickness t ₁	Mass	Designation	
		OD	PD			Min.	Max.	L				C
in.	–	in.	–	in.	–	in.	–	–	–	–	–	
1 1/4	21	9,04	8,39	A	1 1/4	5 1/4	2 11/16	2	7	0,692	29,0	PHS 100-1DSA21
1 1/2	15	7,96	7,21	A	1 7/16	3 3/4	3 11/32	2 7/16	5 1/2	0,924	30,0	PHS 120-1DSA15
	16	8,44	7,69	A	1 7/16	4	3 11/32	2 7/16	6	0,924	34,0	PHS 120-1DSA16
	17	8,92	8,16	A	1 7/16	4 7/16	3 11/32	2 7/16	6 31/64	0,924	37,0	PHS 120-1DSA17
	18	9,41	8,64	A	1 7/16	5 3/16	3 11/32	2 7/16	6 31/64	0,924	42,0	PHS 120-1DSA18
	19	9,89	9,11	A	1 7/16	5 1/2	3 11/32	2 7/16	7 29/64	0,924	47,0	PHS 120-1DSA19
	20	10,37	9,59	A	1 7/16	5 15/16	3 11/32	2 7/16	7 15/16	0,924	51,0	PHS 120-1DSA20
1 3/4	14	8,72	7,86	A	1 7/16	3 7/8	3 39/64	2 11/16	5 7/8	0,924	35,0	PHS 140-1DSA14
	15	9,28	8,42	A	1 7/16	4 7/16	3 39/64	2 11/16	6 29/64	0,924	43,0	PHS 140-1DSA15
	16	9,85	8,97	A	1 7/16	5 1/4	3 39/64	2 11/16	7 1/64	0,924	49,0	PHS 140-1DSA16
	17	10,41	9,52	A	1 7/16	5 9/16	3 39/64	2 11/16	7 37/64	0,924	58,0	PHS 140-1DSA17
	18	10,98	10,08	A	1 7/16	6 1/8	3 39/64	2 11/16	8 9/64	0,924	66,0	PHS 140-1DSA18
2	15	10,61	9,62	A	1 11/16	5 1/2	4 1/4	3 3/32	7 3/8	0,924	69,0	PHS 160-1DSA15
	16	11,26	10,25	A	1 11/16	6	4 1/4	3 3/32	8 1/64	0,924	75,0	PHS 160-1DSA16
	17	11,90	10,88	A	1 11/16	6 1/2	4 1/4	3 3/32	8 21/32	0,924	92,0	PHS 160-1DSA17
	18	12,54	11,52	A	1 11/16	6 13/16	4 1/4	3 3/32	9 5/16	0,924	97,0	PHS 160-1DSA18

For sprockets with hardened teeth, add "H" before the number of teeth, e.g. PHS 40-1DSAH15.

ANSI sprockets, double simplex, taper bushed

ANSI 40-1 · 1/2 in. pitch | ANSI 50-1 · 5/8 in. pitch | ANSI 60-1 · 3/4 in. pitch | ANSI 80-1 · 1 in. pitch |
ANSI 100-1 · 1 1/4 in. pitch



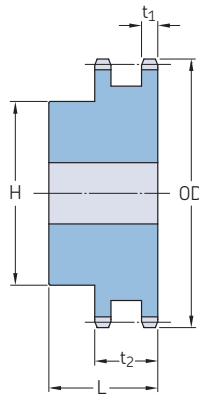
Type A taper bush

Pitch	Number of teeth	Diameters		Type	Bushing number	Dimensions Bore		L1	C	E	L2	Plate thickness t ₁	Mass*	Designation	
		Outside OD	Pitch PD			Min.	Max.								
in.	-	in.	-	-	-	in.	-	-	-	-	-	-	lbs.	-	
1/2	18	3,14	2,88	A	1215	1/2	1 1/4	1 13/32	1 1/8	2 5/16	1 1/2	0,284	1,0	PHS 40-1DSTB18	
	19	3,30	3,04	A	1215	1/2	1 1/4	1 13/32	1 1/8	2 1/2	1 1/2	0,284	1,1	PHS 40-1DSTB19	
	20	3,46	3,20	A	1215	1/2	1 1/4	1 13/32	1 1/8	2 5/8	1 1/2	0,284	1,3	PHS 40-1DSTB20	
	21	3,62	3,36	A	1615	1/2	1 5/8	1 13/32	1 1/8	2 25/32	1 1/2	0,284	1,3	PHS 40-1DSTB21	
	23	3,94	3,67	A	1615	1/2	1 5/8	1 13/32	1 1/8	3 3/32	1 1/2	0,284	1,5	PHS 40-1DSTB23	
	24	4,10	3,83	A	1615	1/2	1 5/8	1 13/32	1 1/8	3 17/64	1 1/2	0,284	1,7	PHS 40-1DSTB24	
	5/8	16	3,52	3,20	A	1215	1/2	1 5/8	1 21/32	1 5/16	2 31/64	1 1/2	0,343	3,0	PHS 50-1DSTB16
		17	3,72	3,40	A	1615	1/2	1 5/8	1 21/32	1 5/16	2 11/16	1 1/2	0,343	1,8	PHS 50-1DSTB17
		18	3,92	3,60	A	1615	1/2	1 5/8	1 21/32	1 5/16	2 57/64	1 1/2	0,343	2,2	PHS 50-1DSTB18
		19	4,12	3,80	A	1615	1/2	1 5/8	1 21/32	1 5/16	3 5/64	1 1/2	0,343	2,7	PHS 50-1DSTB19
20		4,32	4,00	A	1615	1/2	1 5/8	1 21/32	1 5/16	3 9/32	1 1/2	0,343	5,0	PHS 50-1DSTB20	
21		4,52	4,19	A	2012	1/2	2	1 21/32	1 5/16	3 31/64	1 1/4	0,343	3,3	PHS 50-1DSTB21	
23		4,92	4,59	A	2012	1/2	2	1 21/32	1 5/16	3 57/64	1 1/4	0,343	3,7	PHS 50-1DSTB23	
24		5,12	4,79	A	2012	1/2	2	1 21/32	1 5/16	4 5/64	1 1/4	0,343	4,1	PHS 50-1DSTB24	
3/4		16	4,22	3,84	A	1615	1/2	1 5/8	1 15/16	1 31/64	2 63/64	1 1/2	0,459	4,5	PHS 60-1DSTB16
		17	4,46	4,00	A	1615	1/2	1 5/8	1 15/16	1 31/64	3 7/32	1 1/2	0,459	4,5	PHS 60-1DSTB17
	18	4,70	4,32	A	2012	1/2	2	1 15/16	1 31/64	3 15/32	1 1/4	0,459	5,0	PHS 60-1DSTB18	
	19	4,95	4,56	A	2012	1/2	2	1 15/16	1 31/64	3 45/64	1 1/4	0,459	5,8	PHS 60-1DSTB19	
	20	5,19	4,79	A	2517	1/2	2 1/2	1 15/16	1 31/64	3 61/64	1 3/4	0,459	5,6	PHS 60-1DSTB20	
	21	5,43	5,03	A	2517	1/2	2 1/2	1 15/16	1 31/64	4 3/16	1 3/4	0,459	6,4	PHS 60-1DSTB21	
	23	5,91	5,51	A	2517	1/2	2 1/2	1 15/16	1 31/64	4 43/64	1 3/4	0,459	7,3	PHS 60-1DSTB23	
	24	6,15	5,75	A	2517	1/2	2 1/2	1 15/16	1 31/64	4 38/32	1 3/4	0,459	8,2	PHS 60-1DSTB24	
	1	17	5,95	5,44	A	2517	1/2	2 1/2	2 3/16	1 5/8	4 5/16	1 3/4	0,575	7,6	PHS 80-1DSTB17
		18	6,27	5,76	A	2517	1/2	2 1/2	2 3/16	1 5/8	4 3/4	1 3/4	0,575	8,7	PHS 80-1DSTB18
19		6,59	6,08	A	3020	15/16	3	2 3/16	1 5/8	4 61/64	2	0,575	9,7	PHS 80-1DSTB19	
20		6,91	6,39	A	3020	15/16	3	2 3/16	1 5/8	5 9/32	2	0,575	10,0	PHS 80-1DSTB20	
21		7,24	6,71	A	3020	15/16	3	2 3/16	1 5/8	5 19/32	2	0,575	12,0	PHS 80-1DSTB21	
22		7,56	7,03	A	3020	15/16	3	2 3/16	1 5/8	5 19/32	2	0,575	13,0	PHS 80-1DSTB22	
23		7,88	7,34	A	3020	15/16	3	2 3/16	1 5/8	6 15/64	2	0,575	14,5	PHS 80-1DSTB23	
1 1/4		15	6,63	6,01	A	2517	3/4	2 1/2	2 11/16	2	4 19/32	1 3/4	0,692	12,5	PHS 100-1DSTB15
		16	7,03	6,41	A	2517	3/4	2 1/2	2 11/16	2	5	1 3/4	0,692	13,0	PHS 100-1DSTB16
		17	7,44	6,80	A	3020	15/16	3	2 11/16	2	5 13/32	2	0,692	14,0	PHS 100-1DSTB17
	18	7,84	7,20	A	3020	15/16	3	2 11/16	2	5 51/64	2	0,692	16,0	PHS 100-1DSTB18	
	19	8,24	7,59	A	3020	15/16	3	2 11/16	2	6 13/64	2	0,692	20,0	PHS 100-1DSTB19	
	20	8,64	7,99	A	3020	15/16	3	2 11/16	2	6 39/64	1 3/4	0,692	27,5	PHS 100-1DSTB20	
	21	9,04	8,39	A	3020	15/16	3	2 11/16	2	7	2	0,692	27,5	PHS 100-1DSTB21	

* Mass for rim only
For sprockets with hardened teeth, add "H" before the number of teeth, e.g. PHS 40-1DSTBH18.

ANSI sprockets, duplex, pilot bore

ANSI 35-2 · 3/8 in. pitch | ANSI 40-2 · 1/2 in. pitch



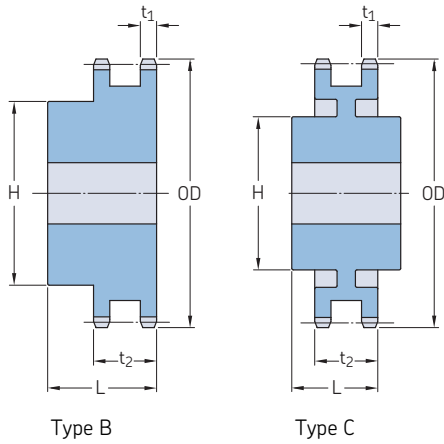
Type B

Pitch	Number of teeth	Outside diameter	Type	Dimensions Bore		H	L	Plate thickness		Mass	Designation	
				Min.	Max.			t ₁	t ₂			
in.	-	in.	-	in.	in.	in.	in.	in.	in.	lbs.	-	
3/8	12	1,63	B	1/2	9/16	63/64	1 1/4	0,162	0,561	0,32	PHS 35-2B12	
	13	1,75	B	1/2	11/16	1 7/64	1 1/4	0,162	0,561	0,36	PHS 35-2B13	
	14	1,87	B	1/2	7/8	1 1/4	1 1/4	0,162	0,561	0,44	PHS 35-2B14	
	15	1,99	B	1/2	15/16	1 13/32	1 1/4	0,162	0,561	0,56	PHS 35-2B15	
	16	2,11	B	1/2	15/16	1 15/32	1 1/4	0,162	0,561	0,64	PHS 35-2B16	
	17	2,23	B	1/2	11/16	1 19/32	1 1/4	0,162	0,561	0,74	PHS 35-2B17	
	18	2,35	B	1/2	13/16	1 23/32	1 1/4	0,162	0,561	0,84	PHS 35-2B18	
	19	2,47	B	1/2	15/16	1 7/8	1 1/4	0,162	0,561	0,96	PHS 35-2B19	
	20	2,59	B	3/4	15/16	1 15/16	1 3/8	0,162	0,561	1,08	PHS 35-2B20	
	21	2,71	B	3/4	1 3/8	2 1/16	1 3/8	0,162	0,561	1,24	PHS 35-2B21	
	22	2,83	B	3/4	1 7/16	2 3/16	1 3/8	0,162	0,561	1,42	PHS 35-2B22	
	23	2,95	B	3/4	1 1/2	2 1/4	1 3/8	0,162	0,561	1,54	PHS 35-2B23	
	24	3,07	B	3/4	1 1/2	2 1/4	1 3/8	0,162	0,561	1,62	PHS 35-2B24	
	25	3,19	B	3/4	1 1/2	2 1/4	1 3/8	0,162	0,561	1,66	PHS 35-2B25	
	26	3,31	B	3/4	1 3/4	2 1/2	1 3/8	0,162	0,561	1,98	PHS 35-2B26	
	30	3,79	B	3/4	1 3/4	2 1/2	1 3/8	0,162	0,561	2,34	PHS 35-2B30	
	36	4,51	B	3/4	1 3/4	2 1/2	1 3/8	0,162	0,561	3,00	PHS 35-2B36	
	42	5,23	B	3/4	1 3/4	2 1/2	1 3/8	0,162	0,561	3,80	PHS 35-2B42	
	48	5,95	B	3/4	1 3/4	2 1/2	1 3/8	0,162	0,561	4,66	PHS 35-2B48	
	52	6,43	B	3/4	1 3/4	2 1/2	1 3/8	0,162	0,561	5,40	PHS 35-2B52	
	60	7,38	B	3/4	1 3/4	2 1/2	1 3/8	0,162	0,561	6,84	PHS 35-2B60	
	68	8,34	B	3/4	2 3/8	3 1/2	1 1/2	0,162	0,561	10,01	PHS 35-2B68	
	72	8,81	B	3/4	2 3/8	3 1/2	1 1/2	0,162	0,561	11,04	PHS 35-2B72	
	76	9,29	B	3/4	2 3/8	3 1/2	1 1/2	0,162	0,561	11,94	PHS 35-2B76	
	84	10,25	B	3/4	2 3/8	3 1/2	1 1/2	0,162	0,561	14,98	PHS 35-2B84	
	95	11,56	B	1	2 3/8	3 1/2	1 1/2	0,162	0,561	17,42	PHS 35-2B95	
	96	11,68	B	1	2 3/8	3 1/2	1 1/2	0,162	0,561	18,14	PHS 35-2B96	
	102	12,40	B	1	2 3/8	3 1/2	1 1/2	0,162	0,561	19,92	PHS 35-2B102	
	1/2	11	2,00	B	1/2	3/4	1 7/16	1 1/2	0,275	0,841	0,62	PHS 40-2B11
		12	2,17	B	1/2	15/16	1 9/16	1 1/2	0,275	0,841	0,76	PHS 40-2B12
13		2,33	B	1/2	1	1 1/2	1 1/2	0,275	0,841	0,86	PHS 40-2B13	
14		2,49	B	1/2	1 1/8	1 11/16	1 1/2	0,275	0,841	1,08	PHS 40-2B14	
15		2,65	B	1/2	1 1/4	1 13/16	1 1/2	0,275	0,841	1,24	PHS 40-2B15	
16		2,81	B	5/8	1 3/8	2	1 1/2	0,275	0,841	1,42	PHS 40-2B16	
17		2,98	B	5/8	1 7/16	2 1/8	1 1/2	0,275	0,841	1,64	PHS 40-2B17	
18		3,14	B	5/8	1 1/2	2 5/16	1 1/2	0,275	0,841	1,92	PHS 40-2B18	
19		3,30	B	5/8	1 3/4	2 1/2	1 1/2	0,275	0,841	2,22	PHS 40-2B19	
20		3,46	B	5/8	1 7/8	2 5/8	1 5/8	0,275	0,841	2,64	PHS 40-2B20	
21		3,62	B	5/8	1 7/8	2 3/4	1 5/8	0,275	0,841	2,94	PHS 40-2B21	
22		3,78	B	5/8	1 7/8	2 7/8	1 5/8	0,275	0,841	3,18	PHS 40-2B22	
23		3,94	B	5/8	2	3	1 5/8	0,275	0,841	3,52	PHS 40-2B23	
24		4,10	B	5/8	2 1/4	3 1/4	1 5/8	0,275	0,841	4,04	PHS 40-2B24	
25		4,26	B	5/8	2 1/4	3 1/4	1 5/8	0,275	0,841	4,26	PHS 40-2B25	
26		4,42	B	5/8	2 1/4	3 1/4	1 5/8	0,275	0,841	4,48	PHS 40-2B26	
30		5,06	B	7/8	2 1/4	3 3/4	1 5/8	0,275	0,841	5,34	PHS 40-2B30	
35		5,86	B	7/8	2 1/4	3 3/4	1 5/8	0,275	0,841	6,80	PHS 40-2B35	
36		6,02	B	15/16	2 1/2	3 3/4	1 5/8	0,275	0,841	7,20	PHS 40-2B36	
40		6,65	B	15/16	2 1/2	3 3/4	1 5/8	0,275	0,841	9,40	PHS 40-2B40	
42		6,97	B	15/16	2 1/2	3 3/4	1 3/4	0,275	0,841	10,20	PHS 40-2B42	
45		7,45	B	15/16	2 1/2	3 3/4	1 3/4	0,275	0,841	11,36	PHS 40-2B45	
48		7,93	B	15/16	2 1/2	3 3/4	1 3/4	0,275	0,841	12,66	PHS 40-2B48	
52		8,57	B	15/16	2 1/2	3 3/4	1 3/4	0,275	0,841	14,46	PHS 40-2B52	
54		8,89	B	15/16	2 1/2	3 3/4	1 3/4	0,275	0,841	15,48	PHS 40-2B54	

Maximum bores can accommodate standard keyways. Larger bores are available where a shallow keyway is used or no keyway is required. For sprockets with hardened teeth, add "H" before the number of teeth, e.g. PHS 35-2BH12.

ANSI sprockets, duplex, pilot bore

ANSI 40-2 · 1/2 in. pitch | ANSI 50-2 · 5/8 in. pitch | ANSI 60-2 · 3/4 in. pitch



Pitch	Number of teeth	Outside diameter	Type	Dimensions Bore		H	L	Plate thickness		Mass	Designation	
				Min.	Max.			t ₁	t ₂			
in.	-	in.	-	in.						lbs.	-	
1/2	60	9,84	B	15/16	2 1/2	3 3/4	1 3/4	0,275	0,841	18,60	PHS 40-2B60	
	68	11,12	B	1 3/16	2 3/4	4 1/4	2 3/8	0,275	0,841	24,96	PHS 40-2B68	
	72	11,75	B	1 3/16	2 3/4	4 1/4	2 3/8	0,275	0,841	27,88	PHS 40-2B72	
	76	12,39	B	1 3/16	2 3/4	4 1/4	2 3/8	0,275	0,841	30,18	PHS 40-2B76	
	84	13,66	B	1 3/16	2 3/4	4 1/4	2 3/8	0,275	0,841	36,24	PHS 40-2B84	
	95	15,41	B	1 3/16	2 3/4	4 1/4	2 1/8	0,275	0,841	38,84	PHS 40-2B95	
	96	15,57	B	1 3/16	2 3/4	4 1/4	2 1/8	0,275	0,841	39,50	PHS 40-2B96	
	102	16,53	B	1 3/16	2 3/4	4 1/4	2 1/8	0,275	0,841	42,72	PHS 40-2B102	
	112	18,12	B	1 3/16	2 3/4	4 1/4	2 1/8	0,275	0,841	55,54	PHS 40-2B112	
	5/8	11	2,50	B	5/8	1 5/16	1 15/32	1 3/4	0,332	1,045	0,96	PHS 50-2B11
		12	2,71	B	5/8	1 1/8	1 11/16	1 3/4	0,332	1,045	1,25	PHS 50-2B12
		13	2,91	B	5/8	1 5/16	1 7/8	1 3/4	0,332	1,045	1,56	PHS 50-2B13
14		3,11	B	5/8	1 3/8	2 1/16	1 3/4	0,332	1,045	1,86	PHS 50-2B14	
15		3,32	B	3/4	1 1/2	2 5/16	1 3/4	0,332	1,045	2,22	PHS 50-2B15	
16		3,52	B	3/4	1 3/4	2 1/2	1 3/4	0,332	1,045	2,62	PHS 50-2B16	
17		3,72	B	3/4	1 7/8	2 11/16	1 3/4	0,332	1,045	3,04	PHS 50-2B17	
18		3,92	B	3/4	1 15/16	2 15/16	1 3/4	0,332	1,045	3,58	PHS 50-2B18	
19		4,12	B	1	2 1/8	3 1/8	1 3/4	0,332	1,045	3,90	PHS 50-2B19	
20		4,32	B	1	2 1/4	3 1/4	1 3/4	0,332	1,045	4,26	PHS 50-2B20	
21		4,52	B	1	2 3/8	3 1/2	1 3/4	0,332	1,045	4,90	PHS 50-2B21	
22		4,72	B	1	2 3/8	3 9/16	1 7/8	0,332	1,045	5,58	PHS 50-2B22	
23		4,92	B	1	2 1/2	3 5/8	1 7/8	0,332	1,045	6,10	PHS 50-2B23	
24		5,12	B	1	2 1/2	3 5/8	1 7/8	0,332	1,045	6,50	PHS 50-2B24	
25		5,32	B	1	2 1/2	3 5/8	1 7/8	0,332	1,045	6,94	PHS 50-2B25	
26		5,52	B	1	2 1/2	3 3/4	1 7/8	0,332	1,045	7,54	PHS 50-2B26	
30		6,32	B	1	2 1/2	3 3/4	1 7/8	0,332	1,045	9,40	PHS 50-2B30	
32		6,72	B	1	2 1/2	3 3/4	1 7/8	0,332	1,045	10,46	PHS 50-2B32	
35		7,32	B	1	2 1/2	3 3/4	1 7/8	0,332	1,045	12,28	PHS 50-2B35	
36		7,52	B	1 3/16	2 3/4	4	2 1/8	0,332	1,045	13,94	PHS 50-2B36	
40		8,32	B	1 3/16	2 3/4	4	2 1/8	0,332	1,045	16,54	PHS 50-2B40	
42		8,72	B	1 3/16	2 3/4	4	2 1/8	0,332	1,045	17,92	PHS 50-2B42	
45		9,31	B	1 3/16	2 3/4	4	2 1/8	0,332	1,045	20,30	PHS 50-2B45	
48		9,91	B	1 3/16	2 3/4	4 1/4	2 3/8	0,332	1,045	24,08	PHS 50-2B48	
52		10,71	B	1 3/16	2 3/4	4 1/4	2 3/8	0,332	1,045	27,42	PHS 50-2B52	
54		11,11	B	1 3/16	2 3/4	4 1/4	2 3/8	0,332	1,045	29,16	PHS 50-2B54	
60		12,30	B	1 5/16	3	4 1/2	2 3/8	0,332	1,045	35,88	PHS 50-2B60	
68		13,89	B	1 5/16	3	4 1/2	2 3/8	0,332	1,045	44,98	PHS 50-2B68	
72		14,69	B	1 5/16	3	4 1/2	2 3/8	0,332	1,045	50,22	PHS 50-2B72	
76		15,49	B	1 5/16	3	4 1/2	2 3/8	0,332	1,045	45,64	PHS 50-2B76	
84		17,08	B	1 5/16	3	4 1/2	2 3/8	0,332	1,045	51,64	PHS 50-2B84	
95		19,27	B	1 5/16	3	4 1/2	2 3/8	0,332	1,045	64,32	PHS 50-2B95	
96		19,47	B	1 5/16	3	4 1/2	2 3/8	0,332	1,045	67,42	PHS 50-2B96	
102		20,66	B	1 5/16	3	4 1/2	2 3/8	0,332	1,045	72,68	PHS 50-2B102	
112		22,65	B	1 5/16	3 5/16	5 1/4	2 3/8	0,332	1,045	90,22	PHS 50-2B112	
3/4		11	3,00	B	1	1 1/4	1 13/16	2 1/8	0,444	1,341	1,62	PHS 60-2B11
	12	3,25	B	1	1 7/16	2 3/8	2 1/8	0,444	1,341	2,20	PHS 60-2B12	
	13	3,49	B	1	1 1/2	2 1/4	2 1/8	0,444	1,341	2,60	PHS 60-2B13	
	14	3,74	B	1	1 3/4	2 3/2	2 1/8	0,444	1,341	3,24	PHS 60-2B14	
	15	3,98	B	1	1 7/8	2 13/16	2 1/8	0,444	1,341	3,96	PHS 60-2B15	
	16	4,22	B	1	2	3	2 1/8	0,444	1,341	4,62	PHS 60-2B16	
	17	4,46	B	1	2 1/4	3 1/4	2 1/8	0,444	1,341	5,40	PHS 60-2B17	
	18	4,70	B	1	2 3/8	3 1/2	2 1/8	0,444	1,341	6,24	PHS 60-2B18	
	19	4,95	B	1	2 1/2	3 11/16	2 1/8	0,444	1,341	7,00	PHS 60-2B19	
	20	5,19	B	1	2 1/2	3 3/4	2 1/8	0,444	1,341	7,72	PHS 60-2B20	

Maximum bores can accommodate standard keyways. Larger bores are available where a shallow keyway is used or no keyway is required. For sprockets with hardened teeth, add "H" before the number of teeth, e.g. PHS 35-2BH12.

ANSI sprockets, duplex, pilot bore

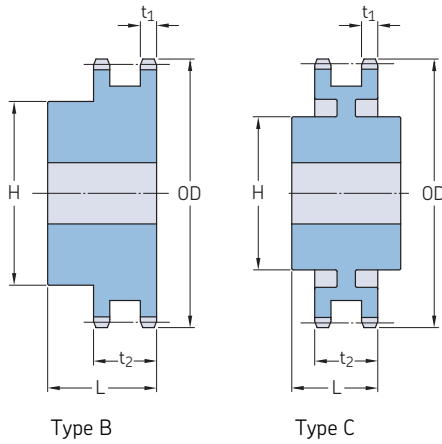
ANSI 60-2 · 3/4 in. pitch | ANSI 80-2 · 1 in. pitch | ANSI 100-2 · 1 1/4 in. pitch | ANSI 120-2 · 1 1/2 in. pitch

Pitch	Number of teeth	Outside diameter	Type	Dimensions Bore				Plate thickness		Mass	Designation	
				OD	Min.		H	L	t ₁			t ₂
					in.	in.						
3/4	21	5,43	B	1	2 3/4	4 1/8	2 1/8	0,444	1,341	8,82	PHS 60-2B21	
	22	5,67	B	1	2 3/4	4 1/4	2 1/8	0,444	1,341	9,68	PHS 60-2B22	
	23	5,91	B	1	2 3/4	4 1/4	2 1/8	0,444	1,341	10,30	PHS 60-2B23	
	24	6,15	B	1	2 3/4	4 3/4	2 1/8	0,444	1,341	11,14	PHS 60-2B24	
	25	6,39	B	1	2 3/4	4 3/4	2 1/8	0,444	1,341	11,96	PHS 60-2B25	
	26	6,63	B	1	2 3/4	4 1/4	2 1/8	0,444	1,341	12,70	PHS 60-2B26	
	30	7,59	B	1	2 3/4	4 1/4	2 1/8	0,444	1,341	16,36	PHS 60-2B30	
	32	8,07	B	1 1/4	3	4 1/2	2 3/8	0,444	1,341	19,52	PHS 60-2B32	
	35	8,78	B	1 1/4	3	4 1/2	2 3/8	0,444	1,341	22,80	PHS 60-2B35	
	36	9,02	B	1 1/4	3	4 1/2	2 3/8	0,444	1,341	23,82	PHS 60-2B36	
	40	9,98	B	1 1/4	3 1/4	4 3/4	2 3/4	0,444	1,341	30,84	PHS 60-2B40	
	42	10,46	B	1 1/4	3 1/4	4 3/4	2 3/4	0,444	1,341	33,08	PHS 60-2B42	
	45	11,18	B	1 1/4	3 1/4	4 3/4	2 3/4	0,444	1,341	37,08	PHS 60-2B45	
	52	12,85	B	1 1/4	3 1/4	4 3/4	2 3/4	0,444	1,341	48,70	PHS 60-2B52	
	60	14,76	B	1 1/4	3 1/4	4 3/4	2 3/4	0,444	1,341	63,10	PHS 60-2B60	
	68	16,67	C	1 1/4	3 5/16	5	3	0,444	1,341	53,68	PHS 60-2C68	
	72	17,63	C	1 1/4	3 5/16	5	3	0,444	1,341	57,74	PHS 60-2C72	
	76	18,58	C	1 1/4	3 5/16	5	3	0,444	1,341	60,28	PHS 60-2C76	
	95	23,12	C	1 1/4	3 3/4	5 1/2	3 1/2	0,444	1,341	87,14	PHS 60-2C95	
1	10	3,68	B	1	1 1/2	2 9/16	2 3/4	0,557	1,710	3,60	PHS 80-2B10	
	11	4,01	B	1	1 3/4	2 1/2	2 1/2	0,557	1,710	4,00	PHS 80-2B11	
	12	4,33	B	1	1 7/8	2 27/32	2 1/2	0,557	1,710	5,10	PHS 80-2B12	
	13	4,66	B	1	2 1/4	3 5/32	2 1/2	0,557	1,710	6,30	PHS 80-2B13	
	14	4,98	B	1	2 3/8	3 15/32	2 1/2	0,557	1,710	7,60	PHS 80-2B14	
	15	5,30	B	1	2 1/2	3 51/64	2 1/2	0,557	1,710	9,00	PHS 80-2B15	
	16	5,63	B	1	2 3/4	4	2 1/2	0,557	1,710	11,00	PHS 80-2B16	
	17	5,95	B	1	3	4 27/64	2 3/4	0,557	1,710	13,20	PHS 80-2B17	
	18	6,27	B	1	3 1/4	4 47/64	2 3/4	0,557	1,710	15,00	PHS 80-2B18	
	19	6,59	B	1	3 5/16	5	2 3/4	0,557	1,710	17,00	PHS 80-2B19	
	20	6,91	B	1	3 5/16	5	2 3/4	0,557	1,710	18,20	PHS 80-2B20	
	21	7,24	B	1	3 5/16	5	2 3/4	0,557	1,710	19,60	PHS 80-2B21	
	22	7,56	B	1	3 5/16	5	2 3/4	0,557	1,710	21,00	PHS 80-2B22	
	23	7,88	B	1	3 5/16	5	2 3/4	0,557	1,710	22,80	PHS 80-2B23	
	24	8,20	B	1	3 1/2	5 1/4	2 3/4	0,557	1,710	25,10	PHS 80-2B24	
	25	8,52	B	1	3 1/2	5 1/4	3	0,557	1,710	28,30	PHS 80-2B25	
	26	8,84	B	1	3 1/2	5 1/4	3	0,557	1,710	29,90	PHS 80-2B26	
	30	10,11	B	1 1/4	3 3/4	5 3/4	3	0,557	1,710	39,50	PHS 80-2B30	
	32	10,75	B	1 1/4	3 3/4	5 3/4	3	0,557	1,710	43,80	PHS 80-2B32	
	35	11,71	B	1 1/4	3 3/4	5 3/4	3	0,557	1,710	49,10	PHS 80-2B35	
	36	12,03	B	1 1/4	3 3/4	5 3/4	3 1/8	0,557	1,710	54,20	PHS 80-2B36	
	42	13,94	B	1 1/4	3 3/4	5 3/4	3 1/8	0,557	1,710	71,50	PHS 80-2B42	
	45	14,90	B	1 1/4	3 3/4	5 3/4	3 1/8	0,557	1,710	73,50	PHS 80-2B45	
	52	17,13	C	1 1/2	3 3/4	5 3/4	3 3/4	0,557	1,710	78,40	PHS 80-2C52	
	60	19,68	C	1 1/2	3 3/4	5 3/4	3 3/4	0,557	1,710	93,30	PHS 80-2C60	
	68	22,23	C	1 1/2	3 13/16	6	4	0,557	1,710	96,20	PHS 80-2C68	
	76	24,78	C	1 1/2	3 13/16	6	4	0,557	1,710	113,00	PHS 80-2C76	
	95	30,83	C	1 1/2	4	6	4 1/4	0,557	1,710	165,00	PHS 80-2C95	
1 1/4	9	4,18	B	1	1 5/8	2 3/8	2 7/8	0,669	2,077	4,60	PHS 100-2B9	
	10	4,60	B	1	1 7/8	2 3/4	2 7/8	0,669	2,077	6,20	PHS 100-2B10	
	11	5,01	B	1	2 1/8	3 1/8	2 7/8	0,669	2,077	7,90	PHS 100-2B11	
	12	5,42	B	1 1/8	2 1/4	3 3/8	2 7/8	0,669	2,077	9,30	PHS 100-2B12	
	13	5,82	B	1 1/8	2 1/2	3 13/16	2 7/8	0,669	2,077	11,40	PHS 100-2B13	
	14	6,23	B	1 1/8	2 3/4	4 3/16	2 7/8	0,669	2,077	13,60	PHS 100-2B14	
	15	6,63	B	1 1/4	3 1/8	4 5/8	3 1/8	0,669	2,077	17,10	PHS 100-2B15	
	16	7,03	B	1 1/4	3 5/16	5	3 1/8	0,669	2,077	20,10	PHS 100-2B16	
	17	7,44	B	1 1/4	3 1/2	5 1/4	3 1/8	0,669	2,077	23,10	PHS 100-2B17	
	18	7,84	B	1 1/4	3 1/2	5 1/4	3 1/8	0,669	2,077	25,40	PHS 100-2B18	
	19	8,24	B	1 1/4	3 3/4	5 1/2	3 3/8	0,669	2,077	29,60	PHS 100-2B19	
	20	8,64	B	1 1/4	3 3/4	5 1/2	3 3/8	0,669	2,077	32,40	PHS 100-2B20	
	21	9,04	B	1 1/4	3 3/4	5 1/2	3 3/8	0,669	2,077	35,30	PHS 100-2B21	
	22	9,44	B	1 1/4	3 3/4	5 1/2	3 3/8	0,669	2,077	38,40	PHS 100-2B22	
	23	9,84	B	1 1/4	3 3/4	5 1/2	3 3/8	0,669	2,077	41,30	PHS 100-2B23	
	24	10,25	B	1 1/4	3 3/4	5 3/4	3 3/8	0,669	2,077	45,10	PHS 100-2B24	
	25	10,65	B	1 1/4	3 3/4	5 3/4	3 3/8	0,669	2,077	48,50	PHS 100-2B25	
	26	11,05	B	1 1/2	3 3/4	5 3/4	3 3/8	0,669	2,077	51,50	PHS 100-2B26	
	30	12,64	B	1 1/2	3 3/4	5 3/4	3 3/8	0,669	2,077	65,00	PHS 100-2B30	
	35	14,64	C	1 1/2	3 13/16	6	4 1/4	0,669	2,077	75,00	PHS 100-2C35	
	45	18,63	C	1 1/2	3 13/16	6	4 1/2	0,669	2,077	103,00	PHS 100-2C45	
	60	24,60	C	1 1/2	5 3/8	7 1/2	5	0,669	2,077	175,00	PHS 100-2C60	
	70	28,58	C	1 1/2	5 3/8	7 1/2	5	0,669	2,077	197,00	PHS 100-2C70	
	80	32,57	C	1 1/2	5 3/8	7 1/2	5	0,669	2,077	231,00	PHS 100-2C80	
1 1/2	11	6,01	B	1 1/2	2 3/8	3 9/16	3 3/4	0,894	2,683	13,60	PHS 120-2B11	
	12	6,50	B	1 1/2	2 3/4	4 1/16	3 3/4	0,894	2,683	17,30	PHS 120-2B12	

Maximum bores can accommodate standard keyways. Larger bores are available where a shallow keyway is used or no keyway is required. For sprockets with hardened teeth, add "H" before the number of teeth, e.g. PHS 35-2BH12.

ANSI sprockets, duplex, pilot bore

ANSI 120-2 · 1 1/2 in. pitch | ANSI 140-2 · 1 3/4 in. pitch | ANSI 160-2 · 2 in. pitch



Pitch	Number of teeth	Outside diameter OD	Type	Dimensions Bore		H	L	Plate thickness		Mass	Designation	
				Min.	Max.			t ₁	t ₂			
in.	-	in.	-	in.						lbs.	-	
1 1/2	13	6,99	B	1 1/2	3	4 1/2	3 3/4	0,894	2,683	21,10	PHS 120-2B13	
	14	7,47	B	1 1/2	3 5/16	5	3 3/4	0,894	2,683	25,60	PHS 120-2B14	
	15	7,96	B	1 1/2	3 1/2	5 1/4	3 3/4	0,894	2,683	29,90	PHS 120-2B15	
	16	8,44	B	1 1/2	3 1/2	5 1/4	3 3/4	0,894	2,683	33,80	PHS 120-2B16	
	17	8,92	B	1 1/2	3 1/2	5 1/4	3 3/4	0,894	2,683	36,90	PHS 120-2B17	
	18	9,41	B	1 1/2	3 1/2	5 1/4	3 3/4	0,894	2,683	41,90	PHS 120-2B18	
	19	9,89	B	1 1/2	3 1/2	5 1/4	3 3/4	0,894	2,683	46,50	PHS 120-2B19	
	20	10,37	B	1 1/2	3 1/2	5 1/2	3 3/4	0,894	2,683	50,20	PHS 120-2B20	
	21	10,85	B	1 1/2	3 1/2	5 1/2	3 3/4	0,894	2,683	55,60	PHS 120-2B21	
	22	11,33	B	1 1/2	3 13/16	5 3/4	4	0,894	2,683	64,00	PHS 120-2B22	
	23	11,81	B	1 1/2	4 1/2	6 1/2	4	0,894	2,683	75,00	PHS 120-2B23	
	24	12,29	B	1 1/2	4 1/2	6 1/2	4	0,894	2,683	79,00	PHS 120-2B24	
	25	12,77	B	1 1/2	4 1/2	6 1/2	4	0,894	2,683	84,00	PHS 120-2B25	
	26	13,25	B	1 1/2	4 1/2	6 1/2	4	0,894	2,683	90,00	PHS 120-2B26	
	30	15,17	B	1 1/2	4 1/2	6 1/2	4	0,894	2,683	119,00	PHS 120-2B30	
	35	17,57	C	1 1/2	5 3/8	7 1/2	6	0,894	2,818	148,00	PHS 120-2C35	
	45	22,35	C	1 1/2	5 3/8	7 1/2	6	0,894	2,818	188,00	PHS 120-2C45	
	60	29,52	C	1 1/2	6 3/8	9 1/2	6 1/4	0,894	2,818	307,00	PHS 120-2C60	
	1 3/4	13	8,15	B	1 5/8	3 5/16	5	3 3/4	0,894	2,818	29,00	PHS 140-2B13
		14	8,72	B	1 5/8	3 3/4	5 1/2	3 3/4	0,894	2,818	34,80	PHS 140-2B14
		15	9,28	B	1 5/8	4 1/2	6 1/2	3 3/4	0,894	2,818	42,50	PHS 140-2B15
		16	9,85	B	1 5/8	5 1/4	7	4	0,894	2,818	48,10	PHS 140-2B16
17		10,41	B	1 5/8	5 1/4	7	4	0,894	2,818	57,50	PHS 140-2B17	
18		10,98	B	1 3/4	5 1/4	7	4	0,894	2,818	65,60	PHS 140-2B18	
19		11,54	B	1 3/4	5 1/4	7	4	0,894	2,818	72,00	PHS 140-2B19	
20		12,10	B	1 3/4	5 1/4	7	4	0,894	2,818	76,00	PHS 140-2B20	
21		12,66	B	1 3/4	5 1/4	7	4	0,894	2,818	82,00	PHS 140-2B21	
22		13,22	B	1 3/4	5 1/4	7	4	0,894	2,818	94,00	PHS 140-2B22	
23		13,78	B	1 3/4	5 1/4	7	4	0,894	2,818	100,00	PHS 140-2B23	
24		14,34	B	1 3/4	5 1/4	7	4	0,894	2,818	104,00	PHS 140-2B24	
25		14,90	B	1 3/4	5 1/4	7	4	0,894	2,818	120,00	PHS 140-2B25	
26		15,46	B	1 3/4	5 1/4	7	4	0,894	2,818	128,00	PHS 140-2B26	
35		20,49	C	1 1/2	5 3/8	7 1/2	6	0,894	2,818	180,00	PHS 140-2C35	
45		26,08	C	1 1/2	5 3/8	7 1/2	6	0,894	2,818	232,00	PHS 140-2C45	
60		34,44	C	1 1/2	6 3/8	9 1/2	6 1/4	0,894	2,818	372,00	PHS 140-2C60	
2		13	9,31	B	2	4	6	4 3/4	1,119	3,424	48,00	PHS 160-2B13
		14	9,96	B	2	4 3/4	6 3/4	4 3/4	1,119	3,424	58,00	PHS 160-2B14
		15	10,61	B	2	5 1/4	7	4 3/4	1,119	3,424	68,00	PHS 160-2B15
		16	11,26	B	2	5 1/4	7	4 3/4	1,119	3,424	75,00	PHS 160-2B16
		17	11,90	B	2	5 1/4	7	4 3/4	1,119	3,424	91,00	PHS 160-2B17
	18	12,54	B	2	5 1/4	7	4 3/4	1,119	3,424	96,00	PHS 160-2B18	
	19	13,19	B	2	5 1/4	7	4 3/4	1,119	3,424	107,00	PHS 160-2B19	
	20	13,83	B	2	5 1/4	7	4 3/4	1,119	3,424	119,00	PHS 160-2B20	
	21	14,47	B	2	5 3/8	7 1/2	4 3/4	1,119	3,424	130,00	PHS 160-2B21	
	22	15,11	B	2	5 3/8	7 1/2	4 3/4	1,119	3,424	141,00	PHS 160-2B22	
	23	15,75	B	2	5 3/8	7 1/2	4 3/4	1,119	3,424	157,00	PHS 160-2B23	
	24	16,39	B	2	5 3/8	7 1/2	4 3/4	1,119	3,424	171,00	PHS 160-2B24	
	25	17,03	B	2	5 3/8	7 1/2	4 3/4	1,119	3,424	187,00	PHS 160-2B25	
	26	17,67	B	2	5 3/8	7 1/2	4 3/4	1,119	3,424	201,00	PHS 160-2B26	
	35	23,42	C	1 1/2	6 3/4	9 1/2	6 5/8	1,119	3,424	306,00	PHS 160-2C35	
	45	29,80	C	1 1/2	7	10	7 1/8	1,119	3,424	431,00	PHS 160-2C45	
	60	39,36	C	1 1/2	7	10	7 1/8	1,119	3,424	564,00	PHS 160-2C60	

Maximum bores can accommodate standard keyways. Larger bores are available where a shallow keyway is used or no keyway is required. For sprockets with hardened teeth, add "H" before the number of teeth, e.g. PHS 35-2BH12.

ANSI sprockets, duplex, pilot bore

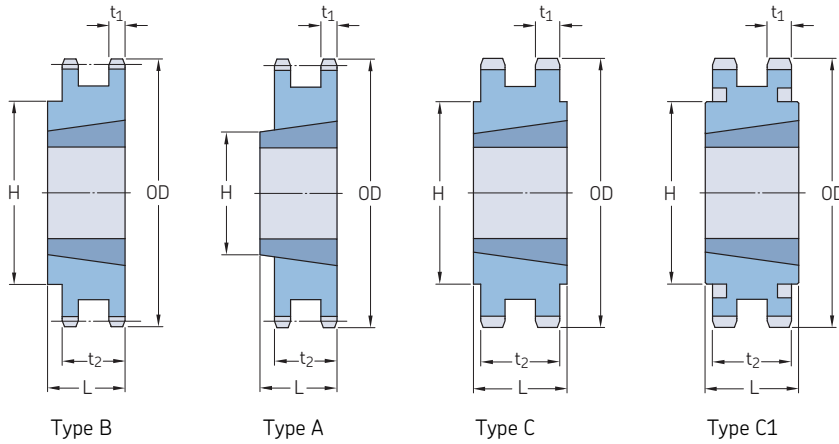
ANSI 200-2 · 2 1/2 in. pitch

Pitch	Number of teeth	Outside diameter	Type	Dimensions				Plate thickness		Mass	Designation
				Bore		H	L	t ₁	t ₂		
		OD		Min.	Max.						
in.	–	in.	–	in.						lbs.	–
2 1/2	11	10,02	B	2	3 3/4	5 1/2	5 7/8	1,344	4,161	57,00	PHS 200-2B11
	12	10,83	B	2	4 1/2	6 1/2	6 1/4	1,344	4,161	80,00	PHS 200-2B12
	13	11,64	B	2	5 1/4	7	6 3/8	1,344	4,161	96,00	PHS 200-2B13
	14	12,46	B	2	5 1/2	8	6 3/8	1,344	4,161	119,00	PHS 200-2B14
	15	13,26	B	2	5 3/4	8 1/2	6 3/8	1,344	4,161	138,00	PHS 200-2B15
	16	14,07	B	2	5 3/4	8 1/2	6 5/8	1,344	4,161	161,00	PHS 200-2B16
	17	14,87	B	2	5 3/4	8 1/2	6 5/8	1,344	4,161	178,00	PHS 200-2B17
	18	15,68	B	2	5 3/4	8 1/2	6 5/8	1,344	4,161	196,00	PHS 200-2B18
	19	16,48	B	2	5 3/4	8 1/2	6 5/8	1,344	4,161	217,00	PHS 200-2B19
	20	17,29	B	2	5 3/4	8 1/2	6 5/8	1,344	4,161	236,00	PHS 200-2B20
	21	18,09	B	2	5 3/4	8 1/2	6 5/8	1,344	4,161	250,00	PHS 200-2B21
	22	18,89	B	2	5 3/4	8 1/2	6 5/8	1,344	4,161	284,00	PHS 200-2B22
	23	19,69	B	2	5 3/4	8 1/2	6 5/8	1,344	4,161	308,00	PHS 200-2B23
	24	20,49	B	2	5 3/4	8 1/2	6 5/8	1,344	4,161	330,00	PHS 200-2B24
	25	21,29	B	2	5 3/4	8 1/2	6 5/8	1,344	4,161	358,00	PHS 200-2B25
	26	22,09	B	2	5 3/4	8 1/2	6 5/8	1,344	4,161	386,00	PHS 200-2B26
	45	37,25	C	1 1/2	7	10	8 1/2	1,344	4,161	665,00	PHS 200-2C45
	60	49,20	C	1 1/2	7	10	9	1,344	4,161	972,00	PHS 200-2C60

Maximum bores can accommodate standard keyways. Larger bores are available where a shallow keyway is used or no keyway is required. For sprockets with hardened teeth, add "H" before the number of teeth, e.g. PHS 35-2BH12.

ANSI sprockets, duplex, taper bushed

ANSI 35-2 · 3/8 in. pitch | ANSI 40-2 · 1/2 in. pitch | ANSI 50-2 · 5/8 in. pitch



Pitch	Number of teeth	Diameters		Type	Bushing number	Dimensions		Plate thickness		Mass Rim	Bushing	Designation		
		Outside OD	Pitch PD			Min.	Max.	L	H				t ₁	t ₂
in.	-	in.	in.	-	-	in.	in.	in.	in.	lbs.	-	-		
3/8	19	2,47	2,28	B	1008	3/8	1	7/8	1 53/64	0,162	0,561	0,6	0,3	PHS 35-2TB19
	20	2,59	2,40	B	1008	3/8	1	7/8	1 15/16	0,162	0,561	0,8	0,3	PHS 35-2TB20
	21	2,71	2,52	B	1008	3/8	1	7/8	2 1/16	0,162	0,561	1,4	0,3	PHS 35-2TB21
	22	2,83	2,63	B	1008	3/8	1	7/8	2 3/16	0,162	0,561	1,7	0,3	PHS 35-2TB22
	23	3,07	2,87	B	1210	5/8	1 1/4	1	2 7/16	0,162	0,561	1,8	0,6	PHS 35-2TB24
	26	3,31	3,11	B	1210	5/8	1 1/4	1	2 5/8	0,162	0,561	2,0	0,6	PHS 35-2TB26
	30	3,79	3,59	B	1610	1/2	1 5/8	1	3 3/8	0,162	0,561	1,8	0,9	PHS 35-2TB30
	32	4,03	3,83	B	1610	1/2	1 5/8	1	3 1/4	0,162	0,561	2,0	0,9	PHS 35-2TB32
	35	4,39	4,18	B	1610	1/2	1 5/8	1	3 1/4	0,162	0,561	2,3	0,9	PHS 35-2TB35
	40	4,99	4,78	B	1610	1/2	1 5/8	1	3 1/4	0,162	0,561	2,9	0,9	PHS 35-2TB40
	45	5,59	5,38	B	1610	1/2	1 5/8	1	3 1/4	0,162	0,561	3,2	0,9	PHS 35-2TB45
	48	5,95	5,73	B	1610	1/2	1 5/8	1	3 5/8	0,162	0,561	3,5	0,9	PHS 35-2TB48
	54	6,66	6,45	B	1610	1/2	1 5/8	1	3 5/8	0,162	0,561	3,9	0,9	PHS 35-2TB54
	60	7,38	7,17	B	1610	1/2	1 5/8	1	3 5/8	0,162	0,561	4,9	0,9	PHS 35-2TB60
	70	8,57	8,36	B	1610	1/2	1 5/8	1	3 5/8	0,162	0,561	6,3	0,9	PHS 35-2TB70
	80	9,77	9,55	B	1610	1/2	1 5/8	1	3 5/8	0,162	0,561	7,9	0,9	PHS 35-2TB80
	96	11,68	11,46	B	1610	1/2	1 5/8	1	3 5/8	0,162	0,561	9,9	0,9	PHS 35-2TB96
	112	13,59	13,37	B	1610	1/2	1 5/8	1	3 5/8	0,162	0,561	10,9	0,9	PHS 35-2TB112
1/2	15	2,65	2,40	A	1008	3/8	1	7/8	1 17/64	0,275	0,841	0,5	0,3	PHS 40-2TB15
	16	2,81	2,56	A	1008	3/8	1	7/8	1 17/64	0,275	0,841	0,6	0,3	PHS 40-2TB16
	17	2,98	2,72	A	1008	3/8	1	7/8	1 17/64	0,275	0,841	0,7	0,3	PHS 40-2TB17
	18	3,13	2,88	B	1210	5/8	1 1/4	1	2 5/16	0,275	0,841	0,7	0,6	PHS 40-2TB18
	19	3,30	3,04	B	1210	5/8	1 1/4	1	2 1/2	0,275	0,841	0,9	0,6	PHS 40-2TB19
	20	3,46	3,20	B	1610	1/2	1 5/8	1	2 5/8	0,275	0,841	0,9	0,9	PHS 40-2TB20
	21	3,62	3,36	B	1610	1/2	1 5/8	1	2 3/4	0,275	0,841	1,0	0,9	PHS 40-2TB21
	23	3,94	3,67	B	1610	1/2	1 5/8	1	3	0,275	0,841	1,3	0,9	PHS 40-2TB23
	25	4,26	3,99	B	2012	3/4	2	1 1/4	3 13/32	0,275	0,841	1,6	1,7	PHS 40-2TB25
	30	5,06	4,78	B	2012	3/4	2	1 1/4	4 15/64	0,275	0,841	3,4	1,7	PHS 40-2TB30
	36	6,01	5,74	B	2012	3/4	2	1 1/4	5 5/32	0,275	0,841	5,9	1,7	PHS 40-2TB36
	42	6,97	6,69	C	2517	3/4	2 1/2	1 3/4	4 1/4	0,275	0,841	7,0	3,5	PHS 40-2TB42
	48	7,93	7,64	C	2517	3/4	2 1/2	1 3/4	4 1/4	0,275	0,841	9,6	3,5	PHS 40-2TB48
	52	8,57	8,28	C	2517	3/4	2 1/2	1 3/4	4 1/4	0,275	0,841	11,4	3,5	PHS 40-2TB52
	60	9,84	9,55	C	2517	3/4	2 1/2	1 3/4	4 1/4	0,275	0,841	15,4	3,5	PHS 40-2TB60
	68	11,12	10,83	C	2517	3/4	2 1/2	1 3/4	4 1/4	0,275	0,841	20,5	3,5	PHS 40-2TB68
	76	12,39	12,10	C	2517	3/4	2 1/2	1 3/4	4 1/4	0,275	0,841	25,7	3,5	PHS 40-2TB76
	84	13,66	13,37	C	2517	3/4	2 1/2	1 3/4	4 1/4	0,275	0,841	31,6	3,5	PHS 40-2TB84
95	15,41	15,12	C	2517	3/4	2 1/2	1 3/4	4 1/4	0,275	0,841	34,1	3,5	PHS 40-2TB95	
102	16,53	16,24	C	2517	3/4	2 1/2	1 3/4	4 1/4	0,275	0,841	36,8	3,5	PHS 40-2TB102	
5/8	14	3,11	2,81	A	1008	3/8	1	7/8	-	0,332	1,045	0,8	0,3	PHS 50-2TB14
	15	3,31	3,01	A	1210	5/8	1 1/4	1	-	0,332	1,045	0,9	0,6	PHS 50-2TB15
	16	3,52	3,20	A	1210	5/8	1 1/4	1	-	0,332	1,045	1,1	0,6	PHS 50-2TB16
	17	3,72	3,41	A	1610	1/2	1 5/8	1	-	0,332	1,045	1,1	0,6	PHS 50-2TB17
	18	3,92	3,60	A	1610	1/2	1 5/8	1	-	0,332	1,045	1,3	0,9	PHS 50-2TB18
	19	4,12	3,80	A	1610	1/2	1 5/8	1	-	0,332	1,045	1,6	0,9	PHS 50-2TB19
	20	4,32	4,00	B	2012	3/4	2	1 1/4	3 1/4	0,332	1,045	1,5	1,7	PHS 50-2TB20
	21	4,52	4,19	B	2012	3/4	2	1 1/4	3 1/2	0,332	1,045	1,9	1,7	PHS 50-2TB21
	25	5,32	4,99	B	2012	3/4	2	1 1/4	4 9/32	0,332	1,045	3,8	1,7	PHS 50-2TB25
	30	6,32	5,98	B	2517	3/4	2 1/2	1 3/4	5 9/32	0,332	1,045	7,5	3,5	PHS 50-2TB30
	36	7,52	7,17	C	2517	3/4	2 1/2	1 3/4	4 1/4	0,332	1,045	9,4	3,5	PHS 50-2TB36
	42	8,71	8,36	C	2517	3/4	2 1/2	1 3/4	4 1/4	0,332	1,045	13,4	3,5	PHS 50-2TB42
	48	9,91	9,56	C	2517	3/4	2 1/2	1 3/4	4 1/4	0,332	1,045	18,6	3,5	PHS 50-2TB48
	52	10,71	10,35	C	2517	3/4	2 1/2	1 3/4	4 3/8	0,332	1,045	22,2	3,5	PHS 50-2TB52
	60	12,30	11,94	C	2517	3/4	2 1/2	1 3/4	4 3/8	0,332	1,045	30,3	3,5	PHS 50-2TB60

For sprockets with hardened teeth, add "H" before the number of teeth, e.g. PHS 35-2TBH19.

ANSI sprockets, duplex, taper bushed

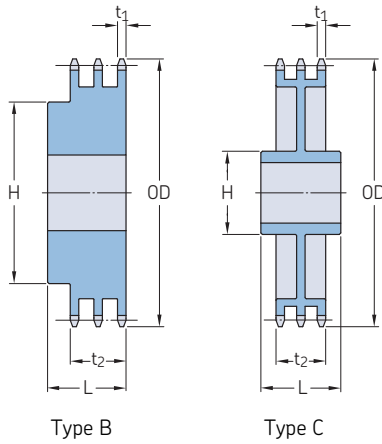
ANSI 50-2 · 5/8 in. pitch | ANSI 60-2 · 3/4 in. pitch | ANSI 80-2 · 1 in. pitch

Pitch	Number of teeth	Diameters		Type	Bushing number	Dimensions				Plate thickness		Mass Rim	Bushing	Designation	
		Outside OD	Pitch PD			Bore		L	H	t ₁	t ₂				
in.	–	in.	–	–	–	in.	Min.	Max.	–	–	–	lbs.	–	–	
5/8	68	13,89	13,53	C	2517	3/4	2 1/2	1 3/4	4 3/8	0,332	1,045	39,4	3,5	PHS 50-2TB68	
	76	15,49	15,12	C	2517	3/4	2 1/2	1 3/4	4 3/8	0,332	1,045	41,2	3,5	PHS 50-2TB76	
	84	17,08	16,71	C	2517	3/4	2 1/2	1 3/4	4 3/8	0,332	1,045	45,3	3,5	PHS 50-2TB84	
	95	19,27	18,90	C	2517	3/4	2 1/2	1 3/4	4 3/8	0,332	1,045	58,8	3,5	PHS 50-2TB95	
	102	20,66	20,30	C	2517	3/4	2 1/2	1 3/4	4 3/8	0,332	1,045	67,1	3,5	PHS 50-2TB102	
3/4	13	3,49	3,13	B	1215	5/8	1 1/4	1 1/2	2 1/4	0,444	1,341	1,2	1,6	PHS 60-2TB13	
	14	3,74	3,37	B	1215	5/8	1 1/4	1 1/2	2 1/2	0,444	1,341	1,6	1,7	PHS 60-2TB14	
	15	3,98	3,61	B	1615	1/2	1 5/8	1 1/2	2 13/16	0,444	1,341	1,3	1,8	PHS 60-2TB15	
	16	4,22	3,84	B	1615	1/2	1 5/8	1 1/2	3	0,444	1,341	2,2	2,3	PHS 60-2TB16	
	17	4,46	4,08	B	1615	1/2	1 5/8	1 1/2	3 1/4	0,444	1,341	2,5	2,8	PHS 60-2TB17	
	18	4,70	4,32	A	2012	3/4	2	1 1/4	–	0,444	1,341	3,0	2,4	PHS 60-2TB18	
	19	4,95	4,56	A	2012	3/4	2	1 1/4	–	0,444	1,341	3,5	2,9	PHS 60-2TB19	
	20	5,18	4,79	B	2517	3/4	1 1/2	1 3/4	3 61/64	0,444	1,341	4,0	2,9	PHS 60-2TB20	
	21	5,43	5,03	B	2517	3/4	1 1/2	1 3/4	4 3/16	0,444	1,341	5,0	3,8	PHS 60-2TB21	
	25	6,39	4,98	B	2517	3/4	1 1/2	1 3/4	5 9/32	0,444	1,341	7,5	7,4	PHS 60-2TB25	
	30	7,59	7,17	B	2517	3/4	1 1/2	1 3/4	6 11/32	0,444	1,341	13,5	13,3	PHS 60-2TB30	
	36	9,02	8,61	C	2517	3/4	1 1/2	1 3/4	4 1/4	0,444	1,341	17,5	17,4	PHS 60-2TB36	
	42	10,46	10,04	C	2517	3/4	1 1/2	1 3/4	4 1/4	0,444	1,341	25,5	25,0	PHS 60-2TB42	
	45	11,18	10,75	C	2517	3/4	1 1/2	1 3/4	4 1/4	0,444	1,341	29,5	29,3	PHS 60-2TB45	
	52	12,85	12,42	C	2517	3/4	1 1/2	1 3/4	4 1/4	0,444	1,341	41,0	40,3	PHS 60-2TB52	
	60	14,76	14,33	C1	2517	3/4	1 1/2	1 3/4	4 1/4	0,444	1,341	32,5	33,5	PHS 60-2TB60	
	68	16,67	16,24	C1	2517	3/4	1 1/2	1 3/4	4 1/2	0,444	1,341	36,5	43,2	PHS 60-2TB68	
	76	18,58	18,15	C1	3020	1 1/4	3	2	5 1/4	0,444	1,341	42,5	47,8	PHS 60-2TB76	
	95	23,12	22,68	C1	3020	1 1/4	3	2	5 1/4	0,444	1,341	48,5	69,8	PHS 60-2TB95	
	1	13	4,66	4,18	A	1615	1/2	1 5/8	1 1/2	–	0,557	1,710	3,4	1,2	PHS 80-2TB13
		14	4,98	4,49	A	2012	3/4	2	1 1/4	–	0,557	1,710	3,5	1,7	PHS 80-2TB14
		15	5,30	4,81	A	2012	3/4	2	1 1/4	–	0,557	1,710	4,3	1,7	PHS 80-2TB15
		16	5,63	5,13	A	2517	3/4	2 1/2	1 3/4	3 1/8	0,557	1,710	3,8	3,5	PHS 80-2TB16
		17	5,95	5,44	A	2517	3/4	2 1/2	1 3/4	3 1/8	0,557	1,710	5,1	3,5	PHS 80-2TB17
		18	6,27	5,76	A	2517	3/4	2 1/2	1 3/4	3 1/8	0,557	1,710	6,4	3,5	PHS 80-2TB18
19		6,59	6,08	B	3020	1 1/4	3	2	5	0,557	1,710	5,6	6,5	PHS 80-2TB19	
20		6,91	6,39	B	3020	1 1/4	3	2	5 1/4	0,557	1,710	7,1	6,5	PHS 80-2TB20	
21		7,24	6,71	B	3020	1 1/4	3	2	5 9/16	0,557	1,710	8,9	6,5	PHS 80-2TB21	
25		8,52	7,98	B	3020	1 1/4	3	2	6 7/8	0,557	1,710	16,5	6,5	PHS 80-2TB25	
30		10,11	9,57	C	3020	1 1/4	3	2	5 1/4	0,557	1,710	25,1	6,5	PHS 80-2TB30	
36		12,03	11,47	C	3020	1 1/4	3	2	5 1/4	0,557	1,710	39,4	6,5	PHS 80-2TB36	
42		13,94	13,39	C	3020	1 1/4	3	2	5 1/4	0,557	1,710	36,4	6,5	PHS 80-2TB42	
45		14,90	14,34	C1	3020	1 1/4	3	2	5 1/4	0,557	1,710	41,4	6,5	PHS 80-2TB45	
52		17,13	16,56	C1	3020	1 1/4	3	2	5 1/4	0,557	1,710	56,2	6,5	PHS 80-2TB52	
60		19,68	19,11	C1	3020	1 1/4	3	2	5 1/4	0,557	1,710	66,3	6,5	PHS 80-2TB60	
68		22,23	21,65	C1	3020	1 1/4	3	2	5 1/4	0,557	1,710	72,0	6,5	PHS 80-2TB68	
76		24,78	24,20	C1	3020	1 1/4	3	2	5 1/4	0,557	1,710	89,1	6,5	PHS 80-2TB76	
95		30,83	30,25	C1	3020	1 1/4	3	2	5 1/4	0,557	1,710	112,0	6,5	PHS 80-2TB95	

For sprockets with hardened teeth, add "H" before the number of teeth, e.g. PHS 35-2TBH19.

ANSI sprockets, triplex, pilot bore

ANSI 35-3 · 3/8 in. pitch | ANSI 40-3 · 1/2 in. pitch



Pitch	Number of teeth	Outside diameter OD	Type	Dimensions Bore		H	L	Plate thickness		Mass	Designation
				Min.	Max.			t ₁	t ₂		
-	-	in.	-	in.						lbs.	-
3/8	13	1,75	B	1/2	11/16	1 7/64	1 3/4	0,162	0,960	0,5	PHS 35-3B13
	14	1,87	B	1/2	7/8	1 1/4	1 3/4	0,162	0,960	0,6	PHS 35-3B14
	15	1,99	B	1/2	15/16	1 13/32	1 3/4	0,162	0,960	0,8	PHS 35-3B15
	16	2,11	B	1/2	15/16	1 15/32	1 3/4	0,162	0,960	0,8	PHS 35-3B16
	17	2,23	B	1/2	11/16	1 19/32	1 3/4	0,162	0,960	1,0	PHS 35-3B17
	18	2,35	B	1/2	13/16	1 23/32	1 3/4	0,162	0,960	1,2	PHS 35-3B18
	19	2,47	B	1/2	15/16	1 7/8	1 3/4	0,162	0,960	1,4	PHS 35-3B19
	20	2,59	B	3/4	15/16	1 15/16	1 7/8	0,162	0,960	1,5	PHS 35-3B20
	21	2,71	B	3/4	1 3/8	2 1/16	1 7/8	0,162	0,960	1,7	PHS 35-3B21
	22	2,83	B	3/4	1 7/16	2 3/16	1 7/8	0,162	0,960	2,0	PHS 35-3B22
	23	2,95	B	3/4	1 1/2	2 1/4	1 7/8	0,162	0,960	2,1	PHS 35-3B23
	24	3,07	B	3/4	1 1/2	2 1/4	1 7/8	0,162	0,960	2,3	PHS 35-3B24
	25	3,19	B	3/4	1 1/2	2 1/4	1 7/8	0,162	0,960	2,4	PHS 35-3B25
	26	3,31	B	3/4	1 1/2	2 1/2	1 7/8	0,162	0,960	2,8	PHS 35-3B26
	30	3,79	B	3/4	1 3/4	2 1/2	1 7/8	0,162	0,960	3,4	PHS 35-3B30
	36	4,51	B	3/4	1 3/4	2 1/2	1 7/8	0,162	0,960	4,5	PHS 35-3B36
	42	5,23	B	3/4	1 3/4	2 1/2	1 7/8	0,162	0,960	5,9	PHS 35-3B42
	48	5,95	B	3/4	1 3/4	2 1/2	1 7/8	0,162	0,960	7,4	PHS 35-3B48
	52	6,43	B	3/4	1 3/4	2 1/2	1 7/8	0,162	0,960	8,5	PHS 35-3B52
	60	7,38	B	3/4	1 3/4	2 1/2	1 7/8	0,162	0,960	11,2	PHS 35-3B60
68	8,34	B	3/4	2 3/8	3 1/2	1 7/8	0,162	0,960	15,4	PHS 35-3B68	
72	8,81	B	3/4	2 3/8	3 1/2	1 7/8	0,162	0,960	17,3	PHS 35-3B72	
76	9,29	B	3/4	2 3/8	3 1/2	1 7/8	0,162	0,960	18,9	PHS 35-3B76	
84	10,25	B	3/4	2 3/8	3 1/2	1 7/8	0,162	0,960	22,8	PHS 35-3B84	
95	11,56	B	1	2 1/2	3 3/4	2 1/8	0,162	0,960	29,3	PHS 35-3B95	
96	11,68	B	1	2 1/2	3 3/4	2 1/8	0,162	0,960	30,1	PHS 35-3B96	
102	12,40	B	1	2 1/2	3 3/4	2 1/8	0,162	0,960	33,4	PHS 35-3B102	
1/2	11	2,00	B	1/2	3/4	1 7/16	2 1/8	0,275	1,407	0,8	PHS 40-3B11
	12	2,17	B	1/2	15/16	1 9/16	2 1/8	0,275	1,407	1,1	PHS 40-3B12
	13	2,33	B	1/2	1	1 1/2	2 1/8	0,275	1,407	1,2	PHS 40-3B13
	14	2,49	B	1/2	1 1/8	1 11/16	2 1/8	0,275	1,407	1,5	PHS 40-3B14
	15	2,65	B	1/2	1 1/4	1 13/16	2 1/8	0,275	1,407	1,8	PHS 40-3B15
	16	2,81	B	5/8	1 3/8	2	2 1/8	0,275	1,407	2,0	PHS 40-3B16
	17	2,98	B	5/8	1 7/16	2 1/8	2 1/8	0,275	1,407	2,3	PHS 40-3B17
	18	3,14	B	5/8	1 1/2	2 5/16	2 1/8	0,275	1,407	2,7	PHS 40-3B18
	19	3,30	B	5/8	1 3/4	2 1/2	2 1/8	0,275	1,407	3,1	PHS 40-3B19
	20	3,46	B	5/8	1 7/8	2 5/8	2 1/4	0,275	1,407	3,7	PHS 40-3B20
	21	3,62	B	5/8	1 7/8	2 3/4	2 1/4	0,275	1,407	4,1	PHS 40-3B21
	22	3,78	B	5/8	1 7/8	2 7/8	2 1/4	0,275	1,407	4,5	PHS 40-3B22
	23	3,94	B	5/8	2	3	2 1/4	0,275	1,407	5,0	PHS 40-3B23
	24	4,10	B	5/8	2 1/4	3 1/4	2 1/4	0,275	1,407	5,6	PHS 40-3B24
	25	4,26	B	5/8	2 1/4	3 1/4	2 1/4	0,275	1,407	6,0	PHS 40-3B25
	26	4,42	B	5/8	2 1/4	3 1/4	2 1/4	0,275	1,407	6,4	PHS 40-3B26
	30	5,06	B	7/8	2 1/4	3 3/4	2 1/4	0,275	1,407	7,8	PHS 40-3B30
	35	5,86	B	7/8	2 1/4	3 3/4	2 1/4	0,275	1,407	10,3	PHS 40-3B35
	36	6,02	B	15/16	2 1/2	3 3/4	2 3/8	0,275	1,407	11,7	PHS 40-3B36
	42	6,97	B	15/16	2 1/2	3 3/4	2 3/8	0,275	1,407	15,4	PHS 40-3B42
48	7,93	B	15/16	2 1/2	3 3/4	2 3/8	0,275	1,407	19,4	PHS 40-3B48	
52	8,57	B	15/16	2 1/2	3 3/4	2 3/8	0,275	1,407	22,4	PHS 40-3B52	
60	9,84	B	15/16	2 1/2	3 3/4	2 3/8	0,275	1,407	30,0	PHS 40-3B60	
68	11,12	B	1 3/16	2 3/4	4	2 5/8	0,275	1,407	38,4	PHS 40-3B68	
72	11,75	B	1 3/16	2 3/4	4	2 5/8	0,275	1,407	42,5	PHS 40-3B72	
76	12,39	B	1 3/16	2 3/4	4	2 5/8	0,275	1,407	46,9	PHS 40-3B76	

Maximum bores can accommodate standard keyways. Larger bores are available where a shallow keyway is used or no keyway is required. For sprockets with hardened teeth, add "H" before the number of teeth, e.g. PHS 35-3BH13.

ANSI sprockets, triplex, pilot bore

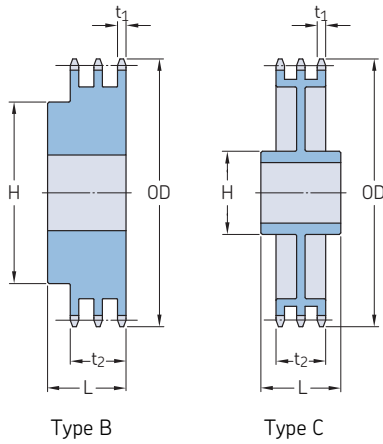
ANSI 40-3 · 1/2 in. pitch | ANSI 50-3 · 5/8 in. pitch | ANSI 60-3 · 3/4 in. pitch | ANSI 80-3 · 1 in. pitch

Pitch	Number of teeth	Outside diameter	Type	Dimensions				Plate thickness		Mass	Designation	
				Bore		H	L	t ₁	t ₂			
				Min.	Max.							
–	–	in.	–	in.	in.	in.	in.	in.	lbs.	–		
1/2	84	13.66	B	1 3/16	2 3/4	4 1/4	2 3/4	0.275	1.407	57.3	PHS 40-3B84	
	95	15.41	B	1 3/16	2 3/4	4 1/4	2 3/4	0.275	1.407	62.2	PHS 40-3B95	
	102	16.53	B	1 3/16	2 3/4	4 1/4	2 3/4	0.275	1.407	68.4	PHS 40-3B102	
5/8	11	2.50	B	5/8	15/16	1 15/32	2 1/2	0.332	1.758	1.4	PHS 50-3B11	
	12	2.71	B	5/8	1 1/8	1 11/16	2 1/2	0.332	1.758	1.8	PHS 50-3B12	
	13	2.91	B	5/8	1 5/16	1 7/8	2 1/2	0.332	1.758	2.3	PHS 50-3B13	
	14	3.11	B	5/8	1 3/8	2 1/16	2 1/2	0.332	1.758	2.7	PHS 50-3B14	
	15	3.32	B	3/4	1 1/2	2 5/16	2 1/2	0.332	1.758	3.2	PHS 50-3B15	
	16	3.52	B	3/4	1 3/4	2 1/2	2 1/2	0.332	1.758	3.8	PHS 50-3B16	
	17	3.72	B	3/4	1 7/8	2 11/16	2 1/2	0.332	1.758	4.4	PHS 50-3B17	
	18	3.92	B	3/4	1 15/16	2 15/16	2 1/2	0.332	1.758	5.1	PHS 50-3B18	
	19	4.12	B	1	2 1/8	3 1/8	2 1/2	0.332	1.758	5.6	PHS 50-3B19	
	20	4.32	B	1	2 1/4	3 1/4	2 5/8	0.332	1.758	6.4	PHS 50-3B20	
	21	4.52	B	1	2 3/8	3 1/2	2 5/8	0.332	1.758	7.4	PHS 50-3B21	
	22	4.72	B	1	2 3/8	3 7/16	2 5/8	0.332	1.758	7.9	PHS 50-3B22	
	23	4.92	B	1	2 1/2	3 5/8	2 5/8	0.332	1.758	8.8	PHS 50-3B23	
	24	5.12	B	1	2 1/2	3 5/8	2 5/8	0.332	1.758	9.4	PHS 50-3B24	
	25	5.32	B	1	2 1/2	3 5/8	2 5/8	0.332	1.758	10.2	PHS 50-3B25	
	26	5.52	B	1	2 1/2	3 3/4	2 5/8	0.332	1.758	11.0	PHS 50-3B26	
	30	6.32	B	1	2 1/2	3 3/4	2 5/8	0.332	1.758	14.2	PHS 50-3B30	
	35	7.32	B	1	2 1/2	3 3/4	2 5/8	0.332	1.758	19.0	PHS 50-3B35	
	36	7.52	B	1	3 1/16	2 3/4	4	2 3/4	0.332	1.758	20.6	PHS 50-3B36
	42	8.72	B	1	3 1/16	2 3/4	4	2 3/4	0.332	1.758	27.5	PHS 50-3B42
	48	9.91	B	1	3 1/16	2 3/4	4	3 1/8	0.332	1.758	36.6	PHS 50-3B48
	52	10.71	B	1	3 1/16	2 3/4	4	3 1/8	0.332	1.758	42.5	PHS 50-3B52
	60	12.30	B	1	5/16	3	4 1/2	3 1/8	0.332	1.758	56.8	PHS 50-3B60
	68	13.89	B	1	5/16	3	4 1/2	3 1/8	0.332	1.758	73.2	PHS 50-3B68
	72	14.69	C	1	5/16	3	4 3/4	3 1/2	0.332	1.758	54.4	PHS 50-3C72
	76	15.49	C	1	5/16	3	4 3/4	3 1/2	0.332	1.758	51.2	PHS 50-3C76
	84	17.08	C	1	5/16	3	4 3/4	3 1/2	0.332	1.758	65.3	PHS 50-3C84
	95	19.27	C	1	5/16	3	4 3/4	3 1/2	0.332	1.758	74.4	PHS 50-3C95
	102	20.66	C	1	5/16	3	4 3/4	3 3/4	0.332	1.758	79.9	PHS 50-3C102
	3/4	11	3.00	B	1	1 1/4	1 13/16	3	0.444	2.238	2.5	PHS 60-3B11
		12	3.25	B	1	1 1/4	1 7/8	3	0.444	2.238	3.3	PHS 60-3B12
		13	3.49	B	1	1 1/2	2 1/4	3	0.444	2.238	3.9	PHS 60-3B13
14		3.74	B	1	1 3/4	2 1/2	3	0.444	2.238	4.5	PHS 60-3B14	
15		3.98	B	1	1 7/8	2 13/16	3	0.444	2.238	5.4	PHS 60-3B15	
16		4.22	B	1	2	3	3	0.444	2.238	6.5	PHS 60-3B16	
17		4.46	B	1	2 1/4	3 1/4	3	0.444	2.238	7.7	PHS 60-3B17	
18		4.70	B	1	2 3/8	3 1/2	3	0.444	2.238	8.5	PHS 60-3B18	
19		4.95	B	1	2 1/2	3 11/16	3	0.444	2.238	10.0	PHS 60-3B19	
20		5.19	B	1	2 1/2	3 3/4	3	0.444	2.238	11.2	PHS 60-3B20	
21		5.43	B	1	2 3/4	4 1/8	3	0.444	2.238	12.5	PHS 60-3B21	
22		5.67	B	1	2 3/4	4 1/4	3	0.444	2.238	13.2	PHS 60-3B22	
23		5.91	B	1	2 3/4	4 1/4	3	0.444	2.238	14.6	PHS 60-3B23	
24		6.15	B	1	2 3/4	4 1/4	3	0.444	2.238	15.8	PHS 60-3B24	
25		6.39	B	1	2 3/4	4 1/4	3	0.444	2.238	17.0	PHS 60-3B25	
26		6.63	B	1	2 3/4	4 1/4	3	0.444	2.238	18.6	PHS 60-3B26	
30		7.59	B	1	2 3/4	4 1/4	3	0.444	2.238	23.2	PHS 60-3B30	
35		8.78	B	1 1/4	3	4 1/2	3 1/4	0.444	2.238	34.5	PHS 60-3B35	
36		9.02	B	1 1/4	3	4 1/2	3 1/4	0.444	2.238	37.0	PHS 60-3B36	
42		10.46	B	1 1/4	3 1/4	4 3/4	3 5/8	0.444	2.238	49.0	PHS 60-3B42	
45		11.18	B	1 1/4	3 1/4	4 3/4	3 5/8	0.444	2.238	57.0	PHS 60-3B45	
52		12.85	C	1 1/4	3 1/4	4 3/4	3 1/2	0.444	2.238	73.0	PHS 60-3C52	
60		14.76	C	1 1/4	3 1/4	4 3/4	3 1/2	0.444	2.238	63.0	PHS 60-3C60	
68		16.67	C	1 1/4	3 1/4	5	3 1/2	0.444	2.238	73.0	PHS 60-3C68	
72		17.63	C	1 1/4	3 1/4	5	3 1/2	0.444	2.238	85.0	PHS 60-3C72	
76		18.58	C	1 1/2	3 3/4	5 1/2	3 1/2	0.444	2.238	82.0	PHS 60-3C76	
95		23.12	C	1 1/2	3 3/4	5 1/2	4	0.444	2.238	105.0	PHS 60-3C95	
1		11	4.01	B	1	1 3/4	2 1/2	3 5/8	0.557	2.863	5.9	PHS 80-3B11
		12	4.33	B	1	1 7/8	2 27/32	3 5/8	0.557	2.863	7.5	PHS 80-3B12
		13	4.66	B	1	2 1/4	3 5/32	3 5/8	0.557	2.863	9.2	PHS 80-3B13
		14	4.98	B	1	2 3/8	3 15/32	3 5/8	0.557	2.863	11.0	PHS 80-3B14
		15	5.30	B	1	2 1/2	3 51/64	3 5/8	0.557	2.863	13.1	PHS 80-3B15
	16	5.63	B	1	2 3/4	4	3 7/8	0.557	2.863	15.8	PHS 80-3B16	
	17	5.95	B	1	3	4 27/64	3 7/8	0.557	2.863	18.6	PHS 80-3B17	
	18	6.27	B	1	3 1/4	4 47/64	3 7/8	0.557	2.863	21.2	PHS 80-3B18	
	19	6.59	B	1	3 5/16	5	3 7/8	0.557	2.863	23.7	PHS 80-3B19	
	20	6.91	B	1	3 5/16	5	3 7/8	0.557	2.863	26.0	PHS 80-3B20	
	21	7.24	B	1	3 5/16	5	3 7/8	0.557	2.863	28.4	PHS 80-3B21	
	22	7.56	B	1	3 5/16	5	3 7/8	0.557	2.863	31.0	PHS 80-3B22	
	23	7.88	B	1	3 5/16	5	3 7/8	0.557	2.863	33.6	PHS 80-3B23	
	24	8.20	B	1	3 1/2	5 1/4	3 7/8	0.557	2.863	37.1	PHS 80-3B24	

Maximum bores can accommodate standard keyways. Larger bores are available where a shallow keyway is used or no keyway is required. For sprockets with hardened teeth, add "H" before the number of teeth, e.g. PHS 35-3BH13.

ANSI sprockets, triplex, pilot bore

ANSI 80-3 · 1 in. pitch | ANSI 100-3 · 1 1/4 in. pitch



Pitch	Number of teeth	Outside diameter OD	Type	Dimensions Bore				Plate thickness		Mass lbs.	Designation
				Min.	Max.	H	L	t ₁	t ₂		
1	25	8,52	B	1	3 1/2	5 1/4	3 7/8	0,557	2,863	40,1	PHS 80-3B25
	26	8,84	B	1	3 1/2	5 1/4	3 7/8	0,557	2,863	42,9	PHS 80-3B26
	30	10,11	B	1 1/4	3 3/4	5 3/4	4 1/4	0,557	2,863	54,5	PHS 80-3B30
	35	11,71	B	1 1/4	3 3/4	5 3/4	4 1/4	0,557	2,863	79,5	PHS 80-3B35
	36	12,03	B	1 1/4	3 3/4	5 3/4	4 1/4	0,557	2,863	83,9	PHS 80-3B36
	42	13,94	C	1 1/4	3 13/16	6	4 1/2	0,557	2,863	84,9	PHS 80-3C42
	45	14,90	C	1 1/4	3 13/16	6	4 1/2	0,557	2,863	92,4	PHS 80-3C45
	52	17,13	C	1 1/2	3 13/16	6	4 1/2	0,557	2,863	107,0	PHS 80-3C52
	60	19,68	C	1 1/2	4 1/4	6 1/4	4 3/4	0,557	2,863	128,0	PHS 80-3C60
	68	22,23	C	1 1/2	4 1/4	6 1/4	4 3/4	0,557	2,863	140,0	PHS 80-3C68
	76	24,78	C	1 1/2	4 1/4	6 1/4	4 3/4	0,557	2,863	165,0	PHS 80-3C76
	95	30,83	C	1 1/2	4 1/2	6 3/4	5	0,557	2,863	240,0	PHS 80-3C95
1 1/4	11	5,01	B	1	2 1/8	3 1/8	4 1/4	0,669	3,485	11,7	PHS 100-3B11
	12	5,42	B	1 1/8	2 1/4	3 3/8	4 1/4	0,669	3,485	13,7	PHS 100-3B12
	13	5,82	B	1 1/8	2 1/2	3 13/16	4 1/4	0,669	3,485	16,9	PHS 100-3B13
	14	6,23	B	1 1/8	2 3/4	4 3/16	4 1/4	0,669	3,485	20,2	PHS 100-3B14
	15	6,63	B	1 1/4	3 1/8	4 5/8	4 1/2	0,669	3,485	25,0	PHS 100-3B15
	16	7,03	B	1 1/4	3 5/16	5	4 1/2	0,669	3,485	29,3	PHS 100-3B16
	17	7,44	B	1 1/4	3 1/2	5 1/4	4 1/2	0,669	3,485	33,8	PHS 100-3B17
	18	7,84	B	1 1/4	3 1/2	5 1/4	4 3/4	0,669	3,485	38,6	PHS 100-3B18
	19	8,24	B	1 1/4	3 3/4	5 1/2	4 3/4	0,669	3,485	43,3	PHS 100-3B19
	20	8,64	B	1 1/4	3 3/4	5 1/2	4 3/4	0,669	3,485	47,9	PHS 100-3B20
	21	9,04	B	1 1/4	3 3/4	5 1/2	4 3/4	0,669	3,485	52,3	PHS 100-3B21
	22	9,44	B	1 1/4	3 3/4	5 1/2	4 3/4	0,669	3,485	57,5	PHS 100-3B22
	23	9,84	B	1 1/4	3 3/4	5 1/2	4 3/4	0,669	3,485	62,5	PHS 100-3B23
	24	10,25	B	1 1/4	3 3/4	5 3/4	4 3/4	0,669	3,485	69,0	PHS 100-3B24
	25	10,65	B	1 1/4	3 3/4	5 3/4	4 3/4	0,669	3,485	73,0	PHS 100-3B25
	26	11,05	B	1 1/2	3 13/16	5 3/4	4 3/4	0,669	3,485	79,0	PHS 100-3B26
	30	12,64	B	1 1/2	3 13/16	5 3/4	4 3/4	0,669	3,485	103,0	PHS 100-3B30
	35	14,64	C	1 1/2	4	6	5	0,669	3,485	108,0	PHS 100-3C35
	45	18,63	C	1 1/2	4	6	5	0,669	3,485	143,0	PHS 100-3C45
	60	24,60	C	1 1/2	5 3/8	7 1/2	5	0,669	3,485	217,0	PHS 100-3C60
	70	28,58	C	1 1/2	5 3/8	7 1/2	5	0,669	3,485	262,0	PHS 100-3C70
	80	32,57	C	1 1/2	5 3/8	7 1/2	5	0,669	3,485	313,0	PHS 100-3C80

Maximum bores can accommodate standard keyways. Larger bores are available where a shallow keyway is used or no keyway is required. For sprockets with hardened teeth, add "H" before the number of teeth, e.g. PHS 35-3BH13.



Pulleys



Wedge belt pulleys..... 216



Classical V-belt pulleys..... 230



QD Classical V-belt pulleys..... 238



Narrow wedge belt pulleys..... 247



QD Narrow wedge belt pulleys.... 254



HiTD pulleys..... 263

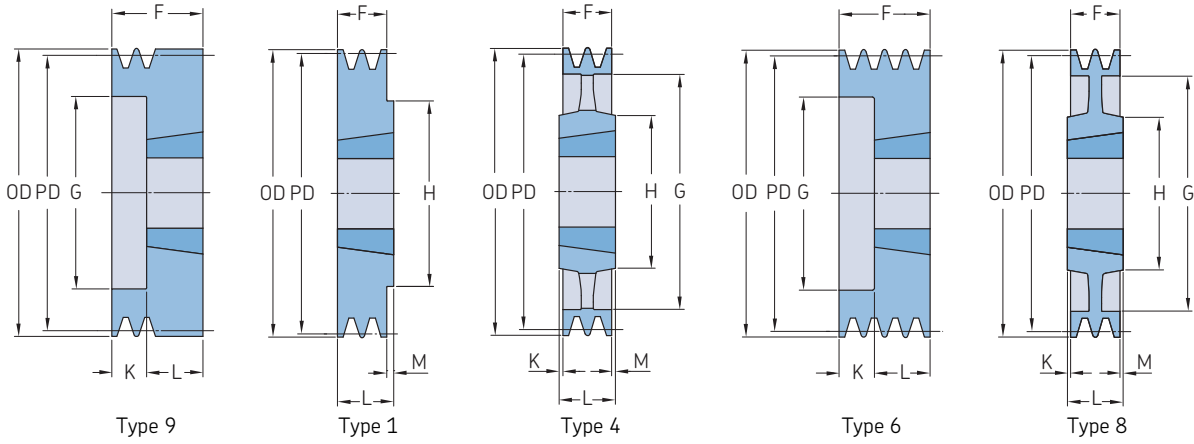


Classical timing pulleys 275



Metric timing pulleys 287

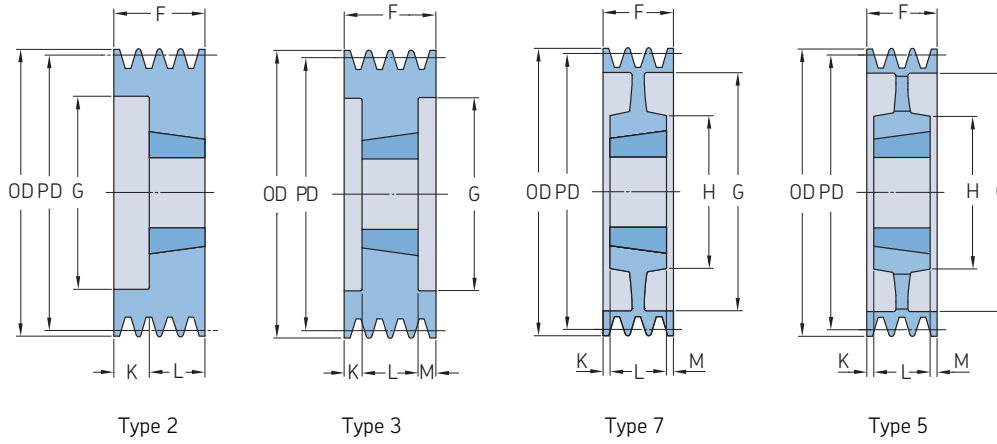
Wedge belt pulleys
SPZ taper bushed



Section	Number of grooves	Pitch diameter PD	Pulley type	Bushing number	Dimensions									Mass*	Designation	
					Outer diameter OD	B Min.	Max.	F	G	K	L	M	H			
					mm									kg		
SPZ	1	50	9	1008	54,0	9	25	37	28	12,0	22	-	-	0,3	PHP 1SPZ50TB	
		56	9	1008	60,0	9	25	37	23	12,0	22	-	-	0,5	PHP 1SPZ56TB	
		60	1	1008	64,0	9	25	22	-	-	22	-	-	0,3	PHP 1SPZ60TB	
		63	1	1108	67,0	9	28	16	-	-	-	6,0	62	0,3	PHP 1SPZ63TB	
		67	1	1108	71,0	9	28	16	-	-	22	6,0	62	0,3	PHP 1SPZ67TB	
		71	1	1108	75,0	9	28	16	-	-	-	22	6,0	62	0,4	PHP 1SPZ71TB
		75	1	1108	79,0	9	28	16	-	-	-	22	6,0	62	0,4	PHP 1SPZ75TB
		80	1	1210	84,0	11	32	16	-	-	-	25	9,0	75	0,5	PHP 1SPZ80TB
		85	1	1210	89,0	11	32	16	-	-	-	25	9,0	75	0,7	PHP 1SPZ85TB
		90	1	1210	94,0	11	32	16	-	-	-	25	9,0	75	0,7	PHP 1SPZ90TB
		95	1	1210	99,0	11	32	16	-	-	-	25	9,0	75	0,8	PHP 1SPZ95TB
		100	1	1210	104,0	11	32	16	-	-	-	25	9,0	75	0,9	PHP 1SPZ100TB
		106	1	1610	110,0	14	42	16	-	-	-	25	9,0	80	1,0	PHP 1SPZ106TB
		112	1	1610	116,0	14	42	16	-	-	-	25	9,0	80	1,1	PHP 1SPZ112TB
		118	1	1610	122,0	14	42	16	-	-	-	25	9,0	80	1,2	PHP 1SPZ118TB
		125	1	1610	129,0	14	42	16	-	-	-	25	9,0	80	1,3	PHP 1SPZ125TB
		132	1	1610	136,0	14	42	16	-	-	-	25	9,0	80	1,5	PHP 1SPZ132TB
		140	1	1610	144,0	14	42	16	-	-	-	25	9,0	80	1,7	PHP 1SPZ140TB
		150	1	1610	154,0	14	42	16	-	-	-	25	9,0	80	2,0	PHP 1SPZ150TB
		160	1	1610	164,0	14	42	16	-	-	-	25	9,0	80	2,2	PHP 1SPZ160TB
		170	1	1610	174,0	14	42	16	-	-	-	25	9,0	80	2,2	PHP 1SPZ170TB
		180	4	1610	184,0	14	42	16	152	-	-	25	9,0	92	2,1	PHP 1SPZ180TB
		190	4	1610	194,0	14	42	16	161	-	-	25	9,0	92	2,7	PHP 1SPZ190TB
		200	4	2012	204,0	14	50	16	172	-	-	32	16,0	100	3,4	PHP 1SPZ200TB
		224	4	2012	228,0	14	50	16	196	-	-	32	16,0	100	3,6	PHP 1SPZ224TB
		250	4	2012	254,0	14	50	16	222	8,0	32	8,0	100	4,6	PHP 1SPZ250TB	
		280	4	2012	284,0	14	50	16	252	8,0	32	8,0	100	5,5	PHP 1SPZ280TB	
		315	4	2012	319,0	14	50	16	287	8,0	32	8,0	100	6,7	PHP 1SPZ315TB	
		355	4	2012	359,0	14	50	16	326	8,0	32	8,0	112	6,8	PHP 1SPZ355TB	
		400	4	2012	404,0	14	50	16	371	8,0	32	8,0	112	6,9	PHP 1SPZ400TB	
450	4	2517	454,0	16	60	16	421	14,5	45	14,5	120	7,2	PHP 1SPZ450TB			
SPZ	2	50	9	1008	54,0	9	25	49	28	25,0	22	-	-	0,4	PHP 2SPZ50TB	
		56	9	1008	60,0	9	25	49	35	27,0	22	-	-	0,5	PHP 2SPZ56TB	
		60	9	1108	64,0	9	25	49	36	27,0	22	-	-	0,7	PHP 2SPZ60TB	
		63	6	1108	67,0	9	28	28	40	6,0	22	-	-	0,3	PHP 2SPZ63TB	
		67	6	1108	71,0	9	28	28	42	6,0	22	-	-	0,4	PHP 2SPZ67TB	
		71	6	1108	75,0	9	28	28	42	6,0	22	-	-	0,5	PHP 2SPZ71TB	
		75	6	1210	79,0	11	32	28	51	3,0	25	-	-	0,5	PHP 2SPZ75TB	
		80	6	1210	84,0	11	32	28	51	3,0	25	-	-	0,6	PHP 2SPZ80TB	
		85	6	1610	89,0	14	42	28	60	3,0	25	-	-	0,6	PHP 2SPZ85TB	
		90	6	1610	94,0	14	42	28	61	3,0	25	-	-	0,7	PHP 2SPZ90TB	
		95	6	1610	99,0	14	42	28	66	3,0	25	-	-	0,8	PHP 2SPZ95TB	
		100	6	1610	104,0	14	42	28	71	3,0	25	-	-	0,9	PHP 2SPZ100TB	
		106	6	1610	110,0	14	42	28	76	3,0	25	-	-	1,1	PHP 2SPZ106TB	
		112	6	1610	116,0	14	42	28	84	3,0	25	-	-	1,3	PHP 2SPZ112TB	
		118	6	1610	122,0	14	42	28	90	3,0	25	-	-	1,5	PHP 2SPZ118TB	
		125	6	1610	129,0	14	42	28	97	3,0	25	-	-	1,7	PHP 2SPZ125TB	
		132	6	1610	136,0	14	42	28	104	3,0	25	-	-	2,0	PHP 2SPZ132TB	
		140	6	1610	144,0	14	42	28	112	3,0	25	-	-	2,4	PHP 2SPZ140TB	
		150	1	2012	154,0	14	50	28	-	-	32	4,0	100	2,6	PHP 2SPZ150TB	
		160	1	2012	164,0	14	50	28	-	-	32	4,0	100	3,1	PHP 2SPZ160TB	
170	1	2012	174,0	14	50	28	-	-	32	4,0	100	2,8	PHP 2SPZ170TB			
180	8	2012	184,0	14	50	28	152	-	32	4,0	100	2,9	PHP 2SPZ180TB			

* Mass does not include bushings.
Non-functional dimensions may vary slightly.

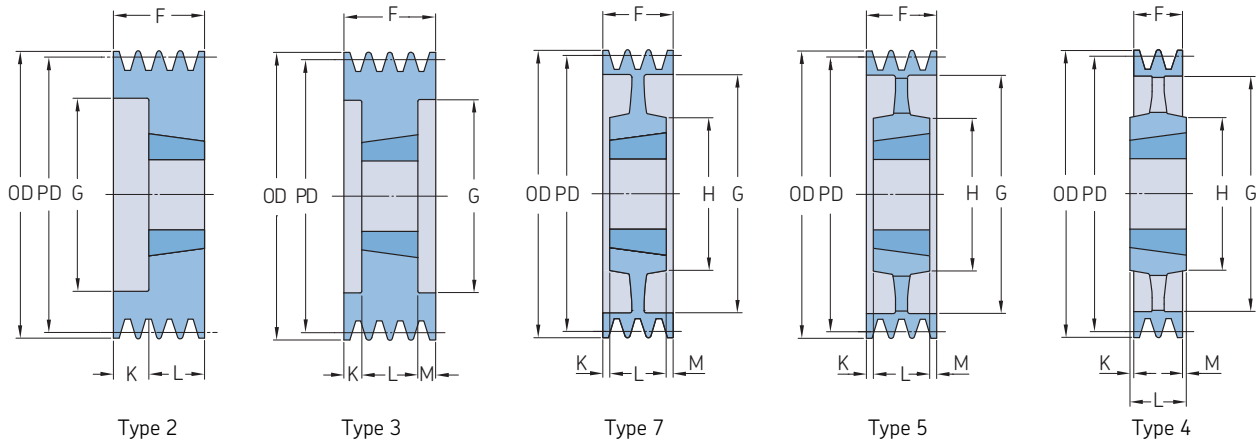
Wedge belt pulleys
SPZ taper bushed



Section	Number of grooves	Pitch diameter PD	Pulley type	Bushing number	Dimensions			F	G	K	L	M	H	Mass*	Designation		
					Outer diameter OD	B Min.	Max.										
															kg	-	
SPZ	2	190	8	2012	194,0	14	50	28	161	-	32	4,0	100	3,1	PHP 2SPZ190TB		
		200	4	2012	204,0	14	50	28	171	-	32	4,0	100	3,4	PHP 2SPZ200TB		
		224	4	2012	228,0	14	50	28	196	-	32	4,0	100	4,5	PHP 2SPZ224TB		
		250	4	2012	254,0	14	50	28	222	2,0	32	2,0	100	5,4	PHP 2SPZ250TB		
		280	4	2012	284,0	14	50	28	252	2,0	32	2,0	100	6,2	PHP 2SPZ280TB		
		315	4	2012	319,0	14	50	28	286	2,0	32	2,0	100	7,2	PHP 2SPZ315TB		
	SPZ	3	63	6	1108	67,0	9	28	40	40	18,0	22	-	-	0,4	PHP 3SPZ63TB	
			67	6	1108	71,0	9	28	40	42	18,0	22	-	-	0,5	PHP 3SPZ67TB	
			71	6	1108	75,0	9	28	40	42	18,0	22	-	-	0,6	PHP 3SPZ71TB	
			75	6	1210	79,0	11	32	40	48	15,0	25	-	-	0,7	PHP 3SPZ75TB	
			80	6	1210	84,0	11	32	40	51	15,0	25	-	-	0,7	PHP 3SPZ80TB	
			85	6	1610	89,0	14	42	40	60	15,0	25	-	-	0,8	PHP 3SPZ85TB	
		SPZ	4	90	6	1610	94,0	14	42	40	61	15,0	25	-	-	0,9	PHP 3SPZ90TB
				95	6	1610	99,0	14	42	40	66	15,0	25	-	-	1,0	PHP 3SPZ95TB
100				6	1610	104,0	14	42	40	71	15,0	25	-	-	1,1	PHP 3SPZ100TB	
106				6	1610	110,0	14	42	40	78	15,0	25	-	-	1,4	PHP 3SPZ106TB	
112				6	2012	116,0	14	50	40	84	8,0	32	-	-	1,4	PHP 3SPZ112TB	
118				6	2012	122,0	14	50	40	92	8,0	32	-	-	1,7	PHP 3SPZ118TB	
SPZ			5	125	2	2012	129,0	14	50	40	97	-	32	8,0	-	2,0	PHP 3SPZ125TB
				132	2	2012	136,0	14	50	40	104	-	32	8,0	-	2,3	PHP 3SPZ132TB
				140	2	2012	144,0	14	50	40	112	-	32	8,0	-	2,7	PHP 3SPZ140TB
				150	2	2012	154,0	14	50	40	122	-	32	8,0	-	3,3	PHP 3SPZ150TB
				160	2	2012	164,0	14	50	40	132	-	32	8,0	-	3,9	PHP 3SPZ160TB
				170	3	2012	174,0	14	50	40	141	4,0	32	4,0	-	3,2	PHP 3SPZ170TB
SPZ	6	180	7	2012	184,0	14	50	40	152	-	32	8,0	100	3,4	PHP 3SPZ180TB		
		190	7	2012	194,0	14	50	40	161	4,0	32	4,0	100	3,4	PHP 3SPZ190TB		
		200	5	2012	204,0	14	50	40	172	4,0	32	4,0	100	3,9	PHP 3SPZ200TB		
		224	5	2012	228,0	14	50	40	196	4,0	32	4,0	100	5,4	PHP 3SPZ224TB		
		250	5	2012	254,0	14	50	40	222	4,0	32	4,0	100	6,4	PHP 3SPZ250TB		
		280	4	2517	284,0	16	60	40	252	2,5	45	2,5	120	8,3	PHP 3SPZ280TB		
	SPZ	7	315	4	2517	319,0	16	60	40	287	2,5	45	2,5	120	10,1	PHP 3SPZ315TB	
			355	4	2517	359,0	16	60	40	326	2,5	45	2,5	120	11,7	PHP 3SPZ355TB	
			400	4	2517	404,0	16	60	40	371	2,5	45	2,5	120	13,3	PHP 3SPZ400TB	
			450	4	2517	454,0	16	60	40	421	2,5	45	2,5	120	14,6	PHP 3SPZ450TB	
			500	4	2517	504,0	16	60	40	471	2,5	45	2,5	120	15,8	PHP 3SPZ500TB	
			630	4	3020	634,0	25	75	40	601	5,5	45	2,5	120	17,0	PHP 3SPZ630TB	
SPZ	8	800	4	3020	804,0	25	75	40	771	5,5	51	2,5	150	33,0	PHP 3SPZ800TB		
		63	6	1108	67,0	9	28	52	38	30,0	22	-	-	0,5	PHP 4SPZ63TB		
		67	6	1108	71,0	9	28	52	41	30,0	22	-	-	0,6	PHP 4SPZ67TB		
		71	6	1108	75,0	9	28	52	45	30,0	22	-	-	0,7	PHP 4SPZ71TB		
		75	6	1210	79,0	11	32	52	46	27,0	25	-	-	0,8	PHP 4SPZ75TB		
		80	6	1210	84,0	11	32	52	51	27,0	25	-	-	0,9	PHP 4SPZ80TB		
	SPZ	9	85	6	1610	89,0	14	42	52	60	27,0	25	-	-	1,0	PHP 4SPZ85TB	
			90	6	1610	94,0	14	42	52	61	27,0	25	-	-	1,1	PHP 4SPZ90TB	
			95	6	1610	99,0	14	42	52	66	27,0	25	-	-	1,3	PHP 4SPZ95TB	
			100	6	1610	104,0	14	42	52	72	27,0	25	-	-	1,4	PHP 4SPZ100TB	
			106	6	1610	110,0	14	42	52	80	27,0	25	-	-	1,6	PHP 4SPZ106TB	
			112	6	2012	116,0	14	50	52	86	20,0	32	-	-	1,7	PHP 4SPZ112TB	
SPZ	10	118	6	2012	122,0	14	50	52	92	20,0	32	-	-	2,0	PHP 4SPZ118TB		
		125	2	2012	129,0	14	50	52	99	-	32	20,0	-	2,3	PHP 4SPZ125TB		

* Mass does not include bushings.
Non-functional dimensions may vary slightly.

Wedge belt pulleys
SPZ taper bushed

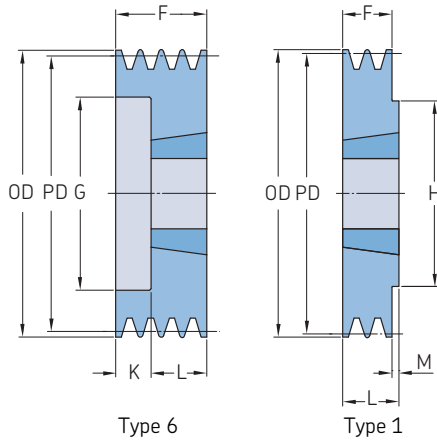


Section	Number of grooves	Pitch diameter PD	Pulley type	Bushing number	Dimensions		B Min.	Max.	F	G	K	L	M	H	Mass*	Designation	
					Outer diameter OD	B											
																kg	-
SPZ	4	132	2	2012	136,0	14	50	52	104	-	32	20,0	-	2,6	PHP 4SPZ132TB		
		140	2	2012	144,0	14	50	52	112	-	32	20,0	-	3,1	PHP 4SPZ140TB		
		150	2	2517	154,0	16	60	52	122	-	45	7,0	-	3,8	PHP 4SPZ150TB		
		160	2	2517	164,0	16	60	52	132	-	45	7,0	-	4,6	PHP 4SPZ160TB		
		170	2	2517	174,0	16	65	52	141	-	45	7,0	-	5,5	PHP 4SPZ170TB		
		180	2	2517	184,0	16	60	52	152	-	45	7,0	-	6,3	PHP 4SPZ180TB		
	4	190	3	2517	194,0	16	65	52	161	3,5	45	3,5	-	5,3	PHP 4SPZ190TB		
		200	7	2517	204,0	16	60	52	172	3,5	45	3,5	120	5,4	PHP 4SPZ200TB		
		224	5	2517	228,0	16	60	52	196	3,5	45	3,5	120	7,0	PHP 4SPZ224TB		
		250	5	2517	254,0	16	60	52	222	3,5	45	3,5	120	8,0	PHP 4SPZ250TB		
		280	5	2517	284,0	16	60	52	252	3,5	45	3,5	120	9,5	PHP 4SPZ280TB		
		315	5	2517	319,0	16	60	52	287	3,5	45	3,5	120	12,1	PHP 4SPZ315TB		
		355	5	2517	359,0	16	60	52	326	3,5	45	3,5	120	12,8	PHP 4SPZ355TB		
		400	5	2517	404,0	16	60	52	371	3,5	45	3,5	120	13,6	PHP 4SPZ400TB		
		450	5	3020	454,0	25	75	52	421	0,5	51	0,5	150	14,5	PHP 4SPZ450TB		
		500	5	3020	504,0	25	75	52	471	0,5	51	0,5	150	17,3	PHP 4SPZ500TB		
		630	4	3030	634,0	35	75	52	601	12,0	76	12,0	150	23,0	PHP 4SPZ630TB		
		800	4	3030	804,0	35	75	52	771	12,0	76	12,0	150	36,0	PHP 4SPZ800TB		
SPZ	5	85	6	1610	89,0	14	42	64	60	39,0	25	-	-	1,3	PHP 5SPZ85TB		
		90	6	1610	94,0	14	42	64	61	39,0	25	-	-	1,3	PHP 5SPZ90TB		
		95	6	1610	99,0	14	42	64	66	39,0	25	-	-	1,5	PHP 5SPZ95TB		
		100	6	2012	104,0	14	50	64	72	32,0	32	-	-	1,6	PHP 5SPZ100TB		
		106	6	2012	110,0	14	50	64	78	32,0	32	-	-	1,8	PHP 5SPZ106TB		
		112	6	2012	116,0	14	50	64	84	32,0	32	-	-	2,0	PHP 5SPZ112TB		
	6	118	6	2012	122,0	14	50	64	90	32,0	32	-	-	2,3	PHP 5SPZ118TB		
		125	6	2012	129,0	14	50	64	97	32,0	32	-	-	2,7	PHP 5SPZ125TB		
		132	6	2517	136,0	16	60	64	104	19,0	45	-	-	2,8	PHP 5SPZ132TB		
		140	2	2517	144,0	16	60	64	112	-	45	19,0	-	3,4	PHP 5SPZ140TB		
		150	2	2517	154,0	16	60	64	122	-	45	19,0	-	4,3	PHP 5SPZ150TB		
		160	2	2517	164,0	16	60	64	132	-	45	19,0	-	5,1	PHP 5SPZ160TB		
	2	170	2	2517	174,0	16	60	64	141	-	45	19,0	-	5,7	PHP 5SPZ170TB		
		180	2	2517	184,0	16	60	64	152	-	45	19,0	-	6,8	PHP 5SPZ180TB		
		190	3	2517	194,0	16	60	64	161	9,5	45	9,5	-	7,8	PHP 5SPZ190TB		
		200	5	2517	204,0	16	60	64	172	9,5	45	9,5	-	8,8	PHP 5SPZ200TB		
		224	5	2517	228,0	16	60	64	196	9,5	45	9,5	120	8,8	PHP 5SPZ224TB		
		250	5	2517	254,0	16	60	64	222	9,5	45	9,5	120	9,0	PHP 5SPZ250TB		
	5	280	5	2517	284,0	16	60	64	252	9,5	45	9,5	120	11,0	PHP 5SPZ280TB		
		315	5	2517	319,0	16	60	64	287	9,5	45	9,5	120	13,3	PHP 5SPZ315TB		
		355	5	2517	359,0	16	60	64	326	9,5	45	9,5	120	13,0	PHP 5SPZ355TB		
		400	5	3020	404,0	25	75	64	371	6,5	51	6,5	150	15,6	PHP 5SPZ400TB		
		450	5	3020	454,0	25	75	64	421	6,5	51	6,5	150	19,0	PHP 5SPZ450TB		
		500	4	3030	504,0	35	75	64	471	6,0	51	6,0	150	22,6	PHP 5SPZ500TB		
630	4	3030	634,0	35	75	64	601	6,0	51	6,0	150	29,0	PHP 5SPZ630TB				
800	4	3535	804,0	35	90	64	771	12,5	89	12,5	170	44,1	PHP 5SPZ800TB				
SPZ	6	85	6	1610	89,0	14	42	76	61	51,0	25	-	-	1,3	PHP 6SPZ85TB		
		90	6	1610	94,0	14	42	76	61	51,0	25	-	-	1,5	PHP 6SPZ90TB		
		95	6	1610	99,0	14	42	76	66	51,0	25	-	-	1,7	PHP 6SPZ95TB		
		100	6	2012	104,0	14	50	76	72	44,0	32	-	-	1,9	PHP 6SPZ100TB		
		106	6	2012	110,0	14	50	76	78	44,0	32	-	-	2,0	PHP 6SPZ106TB		
		112	6	2012	116,0	14	50	76	84	44,0	32	-	-	2,3	PHP 6SPZ112TB		
	118	6	2517	122,0	16	60	76	90	31,0	45	-	-	2,3	PHP 6SPZ118TB			
	125	6	2517	129,0	16	60	76	97	31,0	45	-	-	2,7	PHP 6SPZ125TB			
	132	6	2517	136,0	16	60	76	104	31,0	45	-	-	3,2	PHP 6SPZ132TB			

* Mass does not include bushings.
Non-functional dimensions may vary slightly.

Wedge belt pulleys

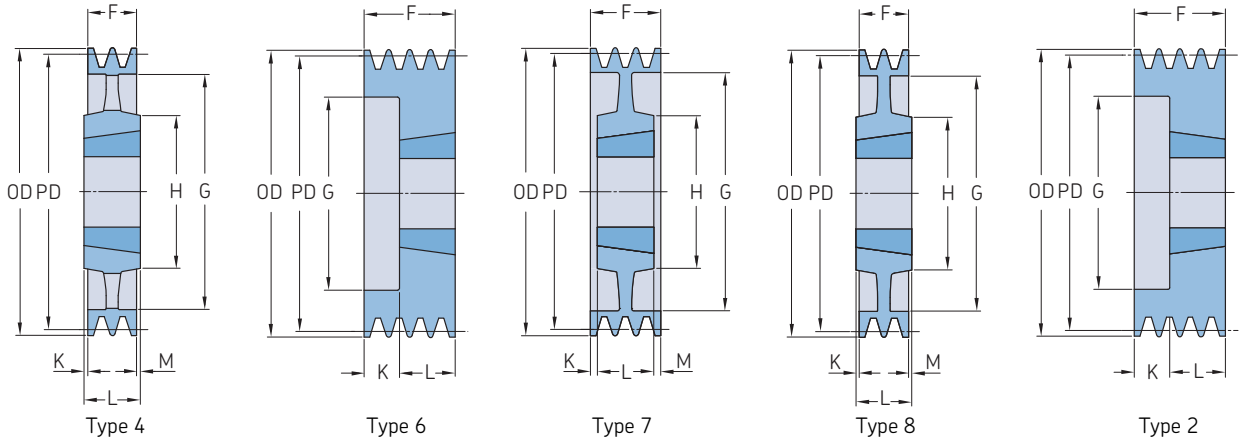
SPZ taper bushed | SPA taper bushed



Section	Number of grooves	Pitch diameter PD	Pulley type	Bushing number	Dimensions									Mass*	Designation		
					Outer diameter OD	B Min. Max.	F	G	K	L	M	H					
					mm									kg			
SPZ	6	140	2	2517	144,0	16	60	76	112	-	45	31,0	-	3,8	PHP 6SPZ140TB		
		150	2	2517	154,0	16	60	76	122	-	45	31,0	-	4,6	PHP 6SPZ150TB		
		160	2	2517	164,0	16	60	76	132	-	45	31,0	-	5,5	PHP 6SPZ160TB		
		170	2	2517	174,0	16	65	76	141	-	45	31,0	-	6,5	PHP 6SPZ170TB		
		180	3	2517	184,0	16	60	76	152	15,5	45	15,5	-	7,3	PHP 6SPZ180TB		
		190	3	2517	194,0	16	65	76	161	15,5	45	15,5	120	8,4	PHP 6SPZ190TB		
	6	200	3	2517	204,0	16	60	76	172	15,5	45	15,5	120	9,4	PHP 6SPZ200TB		
		224	5	2517	228,0	16	60	76	196	15,5	45	15,5	120	9,7	PHP 6SPZ224TB		
		250	5	2517	254,0	16	60	76	222	15,5	45	15,5	120	11,8	PHP 6SPZ250TB		
		280	5	2517	284,0	16	60	76	252	15,5	45	15,5	120	12,8	PHP 6SPZ280TB		
		315	5	2517	319,0	16	60	76	287	15,5	45	15,5	120	13,8	PHP 6SPZ315TB		
		355	5	2517	359,0	16	60	76	326	15,5	45	15,5	125	15,0	PHP 6SPZ355TB		
		400	5	3030	404,0	25	75	76	371	-	76	-	150	18,3	PHP 6SPZ400TB		
		450	5	3030	454,0	25	75	76	421	-	76	-	150	21,5	PHP 6SPZ450TB		
		500	5	3030	504,0	25	75	76	471	-	76	-	150	24,6	PHP 6SPZ500TB		
		SPZ	8	630	4	3535	634,0	35	90	76	601	6,5	89	6,5	170	35,0	PHP 6SPZ630TB
				800	4	3535	804,0	35	90	76	771	6,5	89	6,5	170	57,9	PHP 6SPZ800TB
				140	3	2517	144,0	16	60	100	112	27,5	45	27,5	-	4,0	PHP 8SPZ140TB
150	3			2517	154,0	16	60	100	122	27,5	45	27,5	-	5,1	PHP 8SPZ150TB		
160	3			2517	164,0	16	60	100	132	27,5	45	27,5	-	5,6	PHP 8SPZ160TB		
180	3			2517	184,0	16	60	100	152	27,5	45	27,5	-	7,1	PHP 8SPZ180TB		
8	200		3	3020	204,0	25	75	100	171	24,5	51	24,5	-	9,3	PHP 8SPZ200TB		
	224		3	3020	228,0	25	75	100	195	24,5	51	24,5	-	11,8	PHP 8SPZ224TB		
	250		5	3020	254,0	25	75	100	221	24,5	51	24,5	150	10,5	PHP 8SPZ250TB		
	280		5	3020	284,0	25	75	100	252	24,5	51	24,5	150	10,8	PHP 8SPZ280TB		
	355		5	3030	359,0	35	75	100	326	12,0	76	12,0	150	16,0	PHP 8SPZ355TB		
	400		5	3030	404,0	35	75	100	371	12,0	76	12,0	150	18,2	PHP 8SPZ400TB		
SPA	1	450	5	3535	454,0	35	90	100	421	5,5	89	5,5	170	24,0	PHP 8SPZ450TB		
		63	1	1108	68,5	9	25	20	-	-	22	2,0	62	0,8	PHP 1SPA63TB		
		67	1	1108	72,5	9	28	20	-	-	22	2,0	62	0,5	PHP 1SPA67TB		
		71	1	1108	76,5	9	28	20	-	-	22	2,0	62	0,5	PHP 1SPA71TB		
		75	1	1108	80,5	9	28	22	-	-	22	2,0	62	0,4	PHP 1SPA75TB		
		80	1	1210	85,5	11	32	20	-	-	25	5,0	75	0,5	PHP 1SPA80TB		
	1	85	1	1210	90,5	11	32	20	-	-	25	5,0	75	0,6	PHP 1SPA85TB		
		90	1	1210	95,5	11	32	20	-	-	25	5,0	75	0,7	PHP 1SPA90TB		
		95	1	1210	100,5	11	32	20	-	-	25	5,0	75	0,9	PHP 1SPA95TB		
		100	1	1610	105,5	14	42	20	-	-	25	5,0	80	0,8	PHP 1SPA100TB		
		106	1	1610	111,5	14	42	20	-	-	25	5,0	80	0,9	PHP 1SPA106TB		
		112	1	1610	117,5	14	42	20	-	-	25	5,0	80	1,1	PHP 1SPA112TB		
		118	1	1610	123,5	14	42	20	-	-	25	5,0	80	1,2	PHP 1SPA118TB		
		125	1	1610	130,5	14	42	20	-	-	25	5,0	80	1,4	PHP 1SPA125TB		
		132	1	1610	137,5	14	42	20	-	-	25	5,0	80	1,6	PHP 1SPA132TB		
		140	1	1610	145,5	14	42	20	-	-	25	5,0	80	1,8	PHP 1SPA140TB		
		1	150	1	1610	155,5	14	42	20	-	-	25	5,0	80	2,1	PHP 1SPA150TB	
			160	1	1610	165,5	14	42	20	-	-	25	5,0	80	2,4	PHP 1SPA160TB	
170	1		1610	175,5	14	42	20	-	-	25	5,0	80	1,1	PHP 1SPA170TB			
180	4		1610	185,5	14	42	20	145	-	25	5,0	92	2,3	PHP 1SPA180TB			
190	4		1610	195,5	14	42	20	156	-	25	5,0	92	2,7	PHP 1SPA190TB			
200	4		2012	205,5	14	50	20	165	-	32	12,0	108	2,3	PHP 1SPA200TB			
212	4		2012	217,5	14	50	20	177	-	32	12,0	110	3,5	PHP 1SPA212TB			
224	4		2012	229,5	14	50	20	189	-	32	12,0	112	4,0	PHP 1SPA224TB			
250	4		2012	259,5	14	50	20	215	6,0	32	6,0	112	4,8	PHP 1SPA250TB			
280	4		2012	285,5	14	50	20	245	-	32	12,0	112	6,3	PHP 1SPA280TB			

* Mass does not include bushings.
Non-functional dimensions may vary slightly.

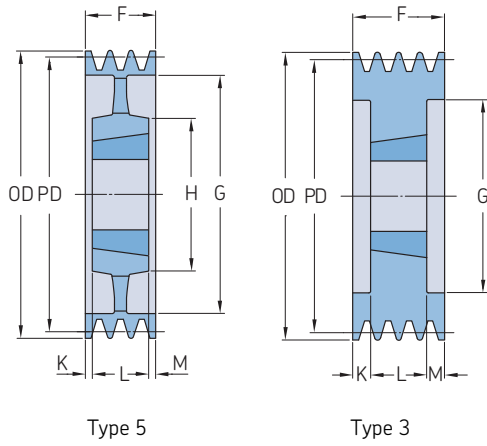
Wedge belt pulleys
SPA taper bushed



Section	Number of grooves	Pitch diameter PD	Pulley type	Bushing number	Dimensions									Mass*	Designation
					Outer diameter OD	B Min.	Max.	F	G	K	L	M	H		
		mm			mm									kg	
SPA	1	315	4	2012	320,5	14	50	20	280	-	32	12,0	112	7,2	PHP 1SPA315TB
		355	4	2012	360,5	14	50	20	320	-	32	12,0	112	7,6	PHP 1SPA355TB
		400	4	2012	405,5	14	50	20	365	-	32	12,0	112	7,9	PHP 1SPA400TB
		450	4	2012	455,5	16	60	20	415	-	32	12,0	112	8,4	PHP 1SPA450TB
		500	4	2517	505,5	16	60	20	465	-	45	12,0	112	9,4	PHP 1SPA500TB
		630	4	2517	635,5	16	60	20	595	-	45	12,0	112	13,1	PHP 1SPA630TB
SPA	2	63	6	1008	68,5	9	28	35	33	13,0	22	-	-	0,6	PHP 2SPA63TB
		67	6	1108	72,5	9	28	35	37	13,0	22	-	-	0,4	PHP 2SPA67TB
		71	6	1108	76,5	9	28	35	40	13,0	22	-	-	0,5	PHP 2SPA71TB
		75	6	1108	80,5	9	28	35	44	13,0	25	-	-	0,7	PHP 2SPA75TB
		80	6	1210	85,5	11	32	35	47	10,0	25	-	-	0,6	PHP 2SPA80TB
		85	6	1210	90,5	11	32	35	50	10,0	25	-	-	0,7	PHP 2SPA85TB
		90	6	1610	95,5	14	42	35	60	10,0	25	-	-	0,7	PHP 2SPA90TB
		95	6	1610	100,5	14	42	35	64	10,0	25	-	-	0,9	PHP 2SPA95TB
		100	6	1610	105,5	14	42	35	70	10,0	25	-	-	1,1	PHP 2SPA100TB
		106	6	1610	111,5	14	42	35	76	10,0	25	-	-	1,2	PHP 2SPA106TB
		112	6	1610	117,5	14	42	35	80	10,0	25	-	-	1,4	PHP 2SPA112TB
		118	6	1610	123,5	14	42	35	86	10,0	25	-	-	1,6	PHP 2SPA118TB
		125	6	1610	130,5	14	42	35	90	10,0	25	-	-	1,9	PHP 2SPA125TB
		132	6	2012	137,5	14	50	35	98	3,0	32	-	-	2,1	PHP 2SPA132TB
		140	6	2012	145,5	14	50	35	106	3,0	32	-	-	2,6	PHP 2SPA140TB
		150	6	2012	155,5	14	50	35	116	3,0	32	-	-	3,2	PHP 2SPA150TB
		160	6	2012	165,5	14	50	35	125	3,0	32	-	-	3,8	PHP 2SPA160TB
		170	6	2012	175,5	14	50	35	135	3,0	32	-	-	4,5	PHP 2SPA170TB
		180	7	2012	185,5	14	50	35	148	2,0	32	2,0	100	5,2	PHP 2SPA180TB
		190	7	2012	195,5	14	50	35	158	2,0	32	2,0	100	4,4	PHP 2SPA190TB
		200	8	2517	205,5	16	60	35	165	5,0	45	5,0	120	4,9	PHP 2SPA200TB
		212	4	2517	217,5	16	65	35	177	5,0	45	5,0	120	5,8	PHP 2SPA212TB
		224	4	2517	229,5	16	60	35	189	-	45	10,0	120	6,6	PHP 2SPA224TB
		250	4	2517	255,5	16	60	35	215	5,0	45	5,0	120	6,8	PHP 2SPA250TB
280	4	2517	285,5	16	60	35	245	-	45	10,0	120	8,3	PHP 2SPA280TB		
315	4	2517	320,5	16	60	35	280	-	45	10,0	120	10,2	PHP 2SPA315TB		
355	4	2517	360,5	16	60	35	320	-	45	10,0	120	10,5	PHP 2SPA355TB		
400	4	2517	405,5	16	60	35	365	-	45	10,0	120	11,3	PHP 2SPA400TB		
450	4	2517	455,5	16	60	35	465	-	45	10,0	120	15,0	PHP 2SPA450TB		
500	4	2517	505,5	16	60	35	525	-	51	16,0	150	18,7	PHP 2SPA500TB		
630	4	3020	635,5	25	75	35	595	8,0	51	8,0	150	22,0	PHP 2SPA630TB		
SPA	3	71	6	1108	76,5	9	28	50	40	28,0	22	-	-	0,7	PHP 3SPA71TB
		75	6	1108	80,5	9	28	50	44	28,0	25	-	-	0,8	PHP 3SPA75TB
		80	6	1210	85,5	11	32	50	47	25,0	25	-	-	0,9	PHP 3SPA80TB
		85	6	1210	90,5	11	32	50	50	25,0	25	-	-	1,0	PHP 3SPA85TB
		90	6	1610	95,5	14	42	50	60	25,0	25	-	-	1,0	PHP 3SPA90TB
		95	6	1610	100,5	14	42	50	64	25,0	25	-	-	1,2	PHP 3SPA95TB
		100	2	1610	105,5	14	42	50	70	-	25	25,0	-	1,3	PHP 3SPA100TB
		106	2	1610	111,5	14	42	50	76	-	25	25,0	-	1,6	PHP 3SPA106TB
		112	6	2012	117,5	14	50	50	83	18,0	32	-	-	1,6	PHP 3SPA112TB
		118	2	2012	123,5	14	50	50	86	-	32	18,0	-	1,9	PHP 3SPA118TB
		125	2	2012	130,5	14	50	50	92	-	32	18,0	-	2,3	PHP 3SPA125TB
		132	2	2012	137,5	14	50	50	98	-	32	18,0	-	2,6	PHP 3SPA132TB
		140	6	2517	145,5	16	60	50	106	5,0	45	-	-	2,9	PHP 3SPA140TB
		150	6	2517	155,5	16	60	50	116	5,0	45	-	-	3,7	PHP 3SPA150TB
		160	6	2517	165,5	16	60	50	126	5,0	45	-	-	4,5	PHP 3SPA160TB

* Mass does not include bushings.
Non-functional dimensions may vary slightly.

Wedge belt pulleys
SPA taper bushed

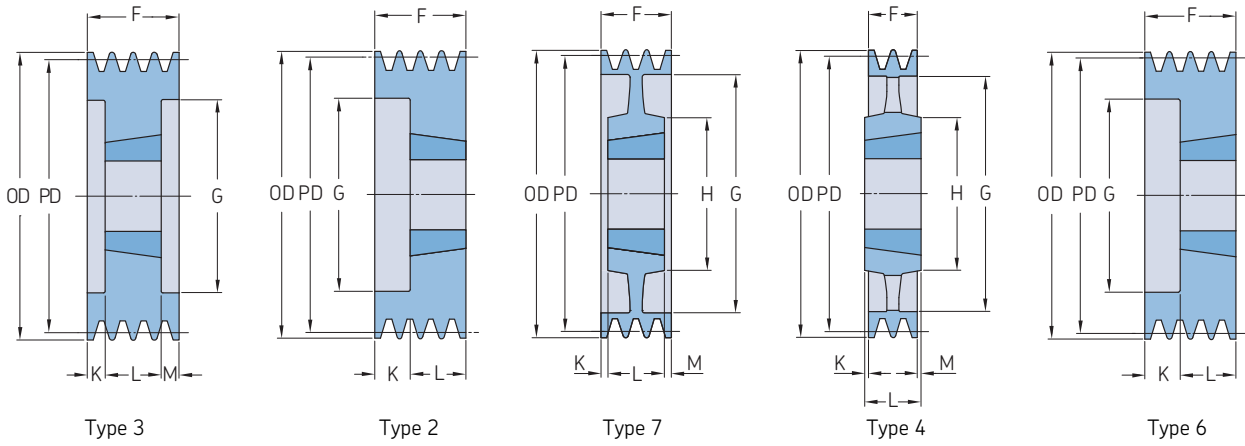


Section	Number of grooves	Pitch diameter PD	Pulley type	Bushing number	Dimensions			F	G	K	L	M	H	Mass*	Designation
					Outer diameter OD	B Min.	Max.								
														kg	-
SPA	3	170	6	2517	175,5	16	60	50	138	5,0	45	-	-	5,0	PHP 3SPA170TB
		180	6	2517	185,5	16	60	50	146	5,0	45	-	-	6,2	PHP 3SPA180TB
		190	6	2517	195,5	16	60	50	158	5,0	45	-	-	7,0	PHP 3SPA190TB
		200	7	2517	205,5	16	60	50	165	2,5	45	2,5	120	5,6	PHP 3SPA200TB
		212	5	2517	217,5	16	60	50	177	2,5	45	2,5	120	6,6	PHP 3SPA212TB
		224	5	2517	229,5	16	60	50	189	2,5	45	2,5	120	7,5	PHP 3SPA224TB
		250	5	2517	255,5	16	60	50	215	2,5	45	2,5	120	8,6	PHP 3SPA250TB
	280	5	2517	285,5	16	60	50	245	2,5	45	2,5	120	10,0	PHP 3SPA280TB	
	315	4	3020	320,5	25	75	50	280	0,5	51	0,5	160	12,8	PHP 3SPA315TB	
	355	4	3020	360,5	25	75	50	320	0,5	51	0,5	150	13,4	PHP 3SPA355TB	
	400	4	3020	405,5	25	75	50	365	-	51	1,0	150	15,9	PHP 3SPA400TB	
	450	4	3020	455,5	25	75	50	415	-	51	1,0	150	19,3	PHP 3SPA450TB	
	500	4	3020	505,5	25	75	50	465	-	51	1,0	150	22,6	PHP 3SPA500TB	
	560	4	3020	565,5	25	75	50	525	-	51	1,0	150	23,5	PHP 3SPA560TB	
	630	4	3020	635,5	25	75	50	595	-	51	1,0	150	27,5	PHP 3SPA630TB	
	800	4	3535	805,5	35	90	50	765	19,5	89	19,5	170	40,8	PHP 3SPA800TB	
	1 000	4	3535	1 005,5	35	90	50	965	19,5	89	19,5	178	50,0	PHP 3SPA1000TB	
SPA	4	90	6	1615	95,5	14	42	65	64	27,0	38	-	-	1,2	PHP 4SPA90TB
		95	6	1615	100,5	14	42	65	64	27,0	38	-	-	1,4	PHP 4SPA95TB
		100	2	1615	105,5	14	42	65	70	-	38	27,0	-	1,6	PHP 4SPA100TB
		106	6	2012	111,5	14	50	65	76	33,0	32	-	-	1,7	PHP 4SPA106TB
		112	6	2012	117,5	14	50	65	80	33,0	32	-	-	2,0	PHP 4SPA112TB
		118	2	2012	123,5	14	50	65	86	-	32	33,0	-	2,3	PHP 4SPA118TB
		125	2	2012	130,5	14	50	65	92	-	32	33,0	-	2,7	PHP 4SPA125TB
	132	2	2517	137,5	16	60	65	98	-	45	20,0	-	2,9	PHP 4SPA132TB	
	140	2	2517	145,5	16	60	65	106	-	45	20,0	-	3,5	PHP 4SPA140TB	
	150	2	2517	155,5	16	60	65	116	-	45	20,0	-	4,2	PHP 4SPA150TB	
	160	2	2517	165,5	16	60	65	126	-	45	20,0	-	5,1	PHP 4SPA160TB	
	170	2	2517	175,5	16	60	65	138	-	45	20,0	-	6,0	PHP 4SPA170TB	
	180	2	2517	185,5	16	60	65	146	-	45	20,0	-	6,9	PHP 4SPA180TB	
	190	2	2517	195,5	16	60	65	158	-	45	20,0	-	7,2	PHP 4SPA190TB	
	200	2	3020	205,5	25	75	65	165	-	51	14,0	-	8,4	PHP 4SPA200TB	
	212	2	3020	217,5	25	75	65	177	-	51	14,0	-	9,9	PHP 4SPA212TB	
	224	2	3020	229,5	25	75	65	189	-	51	14,0	-	11,4	PHP 4SPA224TB	
	250	5	3020	255,5	25	75	65	215	7,0	51	7,0	150	10,5	PHP 4SPA250TB	
	280	5	3020	285,5	25	75	65	245	7,0	51	7,0	150	11,6	PHP 4SPA280TB	
	315	5	3020	320,5	25	75	65	280	7,0	51	7,0	150	13,8	PHP 4SPA315TB	
	355	5	3020	360,5	25	75	65	320	7,0	51	7,0	150	15,8	PHP 4SPA355TB	
	400	5	3020	405,5	25	75	65	365	7,0	51	7,0	150	17,7	PHP 4SPA400TB	
	450	5	3020	455,5	25	75	65	415	7,0	51	7,0	150	23,2	PHP 4SPA450TB	
500	5	3020	505,5	25	75	65	465	7,0	51	7,0	150	27,4	PHP 4SPA500TB		
560	4	3535	565,5	35	90	65	525	12,0	89	12,0	170	30,5	PHP 4SPA560TB		
630	4	3535	635,5	35	90	65	595	12,0	89	12,0	170	34,1	PHP 4SPA630TB		
800	4	3535	805,5	35	90	65	765	12,0	89	12,0	170	50,8	PHP 4SPA800TB		
1 000	4	4040	1 005,5	40	100	65	965	18,5	102	18,5	216	62,0	PHP 4SPA1000TB		
SPA	5	100	2	1615	105,5	14	42	80	70	-	38	42,0	-	1,9	PHP 5SPA100TB
		106	6	2012	111,5	14	50	80	76	48,0	32	-	-	2,1	PHP 5SPA106TB
		112	6	2012	117,5	14	50	80	80	48,0	32	-	-	2,4	PHP 5SPA112TB
		118	2	2012	123,5	14	50	80	86	-	32	48,0	-	2,7	PHP 5SPA118TB
		125	3	2012	130,5	14	50	80	92	24,0	32	24,0	-	3,1	PHP 5SPA125TB
		132	3	2517	137,5	16	60	80	98	17,5	45	17,5	-	3,2	PHP 5SPA132TB
		140	3	2517	145,5	16	60	80	106	17,5	45	17,5	-	3,9	PHP 5SPA140TB
		150	3	2517	155,5	16	60	80	116	17,5	45	17,5	-	4,7	PHP 5SPA150TB

* Mass does not include bushings.
Non-functional dimensions may vary slightly.

Wedge belt pulleys

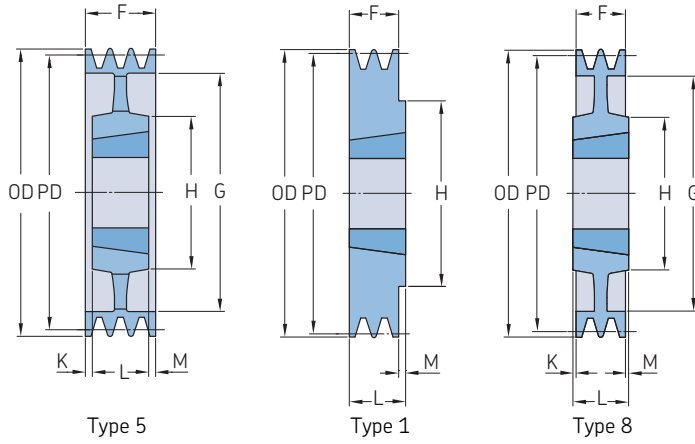
SPA taper bushed | SPB taper bushed



Section	Number of grooves	Pitch diameter PD	Pulley type	Bushing number	Dimensions									Mass*	Designation
					Outer diameter OD	B Min.	Max.	F	G	K	L	M	H		
		mm			mm									kg	
SPA	5	160	3	2517	165,5	16	60	80	126	17,5	45	17,5	-	5,6	PHP 5SPA160TB
		170	3	2517	175,5	16	60	80	146	17,5	45	17,5	-	6,2	PHP 5SPA170TB
		180	3	3020	185,5	25	75	80	165	14,5	51	14,5	-	6,8	PHP 5SPA180TB
		190	2	3020	195,5	25	75	80	189	-	51	29,0	-	7,4	PHP 5SPA190TB
		200	3	3020	205,5	25	75	80	215	14,5	51	14,5	-	9,1	PHP 5SPA200TB
		212	2	3020	217,5	25	75	80	245	-	51	29,0	-	10,7	PHP 5SPA212TB
		224	2	3020	229,5	25	75	80	280	-	51	29,0	-	12,3	PHP 5SPA224TB
		250	7	3020	255,5	25	75	80	215	14,5	51	14,5	150	11,7	PHP 5SPA250TB
		280	4	3535	285,5	35	90	80	245	4,5	89	4,5	170	17,4	PHP 5SPA280TB
		315	4	3535	320,5	35	90	80	280	4,5	89	4,5	170	20,0	PHP 5SPA315TB
		355	4	3535	360,5	35	90	80	320	4,5	89	4,5	170	22,8	PHP 5SPA355TB
		400	4	3535	405,5	35	90	80	365	4,5	89	4,5	170	24,8	PHP 5SPA400TB
		450	4	3535	455,5	35	90	80	415	4,5	89	4,5	170	28,5	PHP 5SPA450TB
		500	4	3535	505,5	35	90	80	465	4,5	89	4,5	170	31,7	PHP 5SPA500TB
		560	4	3535	565,5	35	90	80	525	4,5	89	4,5	170	35,0	PHP 5SPA560TB
		630	4	3535	635,5	35	90	80	595	4,5	89	4,5	170	42,0	PHP 5SPA630TB
		800	4	4040	805,5	40	100	80	765	11,0	102	11,0	216	60,0	PHP 5SPA800TB
		1 000	4	4545	1 005,5	55	120	80	965	17,0	114	17,0	225	70,0	PHP 5SPA1000TB
SPA	6	100	3	1610	105,5	14	42	95	70	30,0	38	40,0	-	2,2	PHP 6SPA100TB
		106	6	2012	111,5	14	50	95	76	63,0	32	-	-	2,5	PHP 6SPA106TB
		112	6	2012	117,5	14	50	95	80	63,0	32	-	-	2,8	PHP 6SPA112TB
		118	6	2012	123,5	14	50	95	86	63,0	32	-	-	3,1	PHP 6SPA118TB
		125	3	2012	130,5	14	50	95	92	31,5	32	31,5	-	3,7	PHP 6SPA125TB
		132	3	2517	137,5	16	60	95	98	25,0	45	25,0	-	3,6	PHP 6SPA132TB
		140	3	2517	145,5	16	60	95	106	25,0	45	25,0	-	4,5	PHP 6SPA140TB
		150	3	2517	155,5	16	60	95	116	25,0	45	25,0	-	5,3	PHP 6SPA150TB
		160	3	2517	165,5	16	60	95	126	25,0	45	25,0	-	6,3	PHP 6SPA160TB
		170	3	3020	175,5	25	75	95	135	22,0	51	22,0	-	6,3	PHP 6SPA170TB
		180	3	3020	185,5	25	75	95	146	22,0	51	22,0	-	7,5	PHP 6SPA180TB
		190	3	3020	195,5	25	75	95	155	22,0	51	22,0	-	8,6	PHP 6SPA190TB
		200	3	3020	205,5	25	75	95	165	22,0	51	22,0	-	9,9	PHP 6SPA200TB
		212	3	3020	217,5	25	75	95	177	22,0	51	22,0	-	11,6	PHP 6SPA212TB
		224	3	3020	229,5	25	75	95	189	22,0	51	22,0	-	13,2	PHP 6SPA224TB
		250	7	3020	255,5	25	75	95	215	22,0	51	22,0	150	12,5	PHP 6SPA250TB
		280	5	3535	285,5	35	90	95	245	3,0	89	3,0	170	19,0	PHP 6SPA280TB
		315	5	3535	320,5	35	90	95	280	3,0	89	3,0	170	21,1	PHP 6SPA315TB
355	5	3535	360,5	35	90	95	320	3,0	89	3,0	170	23,5	PHP 6SPA355TB		
400	5	3535	405,5	35	90	95	365	3,0	89	3,0	170	26,0	PHP 6SPA400TB		
450	5	3535	455,5	35	90	95	415	3,0	89	3,0	170	30,0	PHP 6SPA450TB		
500	5	3535	505,5	35	90	95	465	3,0	89	3,0	170	34,0	PHP 6SPA500TB		
560	5	3535	565,5	35	90	95	525	3,0	89	3,0	170	39,0	PHP 6SPA560TB		
630	4	4040	635,5	40	100	95	595	3,5	102	3,5	216	53,5	PHP 6SPA630TB		
800	4	4040	805,5	40	100	95	765	3,5	102	3,5	216	70,0	PHP 6SPA800TB		
1 000	4	4545	1 005,5	55	120	95	965	9,5	114	9,5	225	85,5	PHP 6SPA1000TB		
SPB	1	100	1	1610	107,0	14	42	25	-	-	25	-	-	0,8	PHP 1SPB100TB
		106	1	1610	113,0	14	42	25	-	-	25	-	-	1,0	PHP 1SPB106TB
		112	1	1610	119,0	14	42	25	-	-	25	-	-	1,2	PHP 1SPB112TB
		118	1	1610	125,0	14	42	25	-	-	25	-	-	1,5	PHP 1SPB118TB
		125	1	1610	132,0	14	42	25	-	-	25	-	-	1,5	PHP 1SPB125TB
		132	1	1610	139,0	14	42	25	-	-	25	-	-	1,8	PHP 1SPB132TB
		140	1	1610	147,0	14	42	25	-	-	25	-	-	2,1	PHP 1SPB140TB
		150	1	1610	157,0	14	42	25	-	-	25	-	-	2,5	PHP 1SPB150TB
		160	1	1610	167,0	14	42	25	-	-	25	-	-	2,9	PHP 1SPB160TB

* Mass does not include bushings.
Non-functional dimensions may vary slightly.

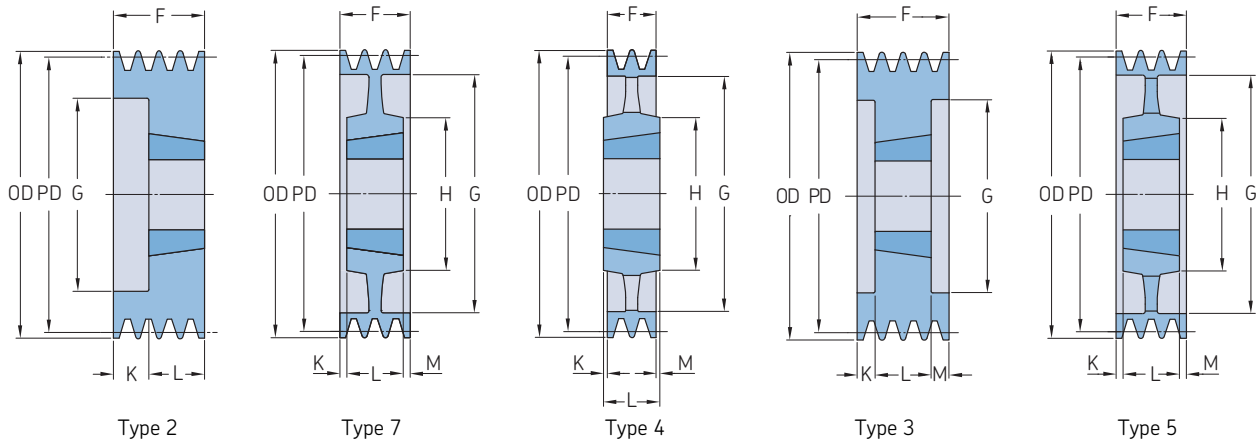
Wedge belt pulleys
SPB taper bushed



Section	Number of grooves	Pitch diameter PD	Pulley type	Bushing number	Dimensions										Mass*	Designation
					Outer diameter OD	B Min.	Max.	F	G	K	L	M	H			
		mm			mm										kg	
SPB	1	170	1	1610	177,0	14	42	25	-	-	25	-	-	3,0	PHP 1SPB170TB	
		180	7	1610	187,0	14	42	25	137	-	25	-	80	3,8	PHP 1SPB180TB	
		190	8	2012	197,0	14	50	25	147	3,5	32	3,5	100	4,4	PHP 1SPB190TB	
		200	4	2012	207,0	14	50	25	157	3,5	32	3,5	104	4,0	PHP 1SPB200TB	
		212	4	2012	219,0	14	50	25	169	3,5	32	3,5	104	5,2	PHP 1SPB212TB	
		224	4	2012	231,0	14	50	25	181	3,5	32	3,5	104	5,2	PHP 1SPB224TB	
		236	4	2012	243,0	14	50	25	193	3,5	32	3,5	104	5,4	PHP 1SPB236TB	
		250	4	2012	257,0	14	50	25	207	3,5	32	3,5	104	6,2	PHP 1SPB250TB	
		280	4	2012	287,0	14	50	25	237	3,5	32	3,5	104	6,5	PHP 1SPB280TB	
		300	4	2012	307,0	14	50	25	258	3,5	32	3,5	104	7,0	PHP 1SPB300TB	
		315	4	2012	322,0	14	50	25	272	3,5	32	3,5	100	7,5	PHP 1SPB315TB	
		335	4	2517	342,0	16	60	25	288	10,0	45	10,0	125	8,5	PHP 1SPB335TB	
		355	4	3020	362,0	25	75	25	312	13,0	51	13,0	146	9,5	PHP 1SPB355TB	
		400	4	3020	407,0	25	75	25	357	13,0	51	13,0	146	11,0	PHP 1SPB400TB	
		450	4	3020	457,0	25	75	25	407	13,0	51	13,0	150	12,3	PHP 1SPB450TB	
		SPB	2	500	4	3020	507,0	25	75	25	457	13,0	51	13,0	150	14,6
560	4			3020	567,0	25	75	25	517	13,0	51	13,0	150	18,5	PHP 1SPB560TB	
630	4			3020	637,0	25	75	25	587	13,0	51	13,0	150	20,5	PHP 1SPB630TB	
100	6			1610	107,0	14	42	44	62	19,0	25	-	-	1,3	PHP 2SPB100TB	
106	6			1610	113,0	14	42	44	67	19,0	25	-	-	1,5	PHP 2SPB106TB	
112	6			1610	119,0	14	42	44	72	19,0	25	-	-	1,5	PHP 2SPB112TB	
118	2			1610	125,0	14	42	44	78	-	25	19,0	-	1,7	PHP 2SPB118TB	
125	2			2012	132,0	14	50	44	82	-	32	12,0	-	2,0	PHP 2SPB125TB	
132	2			2012	139,0	14	50	44	89	-	32	12,0	-	2,4	PHP 2SPB132TB	
140	2			2012	147,0	14	50	44	97	-	32	12,0	-	2,8	PHP 2SPB140TB	
150	2			2012	157,0	14	50	44	107	-	32	12,0	-	3,3	PHP 2SPB150TB	
160	2			2012	167,0	14	50	44	117	-	32	12,0	-	4,0	PHP 2SPB160TB	
170	2			2012	177,0	14	50	44	127	-	32	12,0	-	4,4	PHP 2SPB170TB	
180	1			2517	187,0	16	60	44	-	-	45	1,0	120	5,5	PHP 2SPB180TB	
190	1			2517	197,0	16	60	44	-	-	45	1,0	120	6,5	PHP 2SPB190TB	
200	1			2517	207,0	16	60	44	-	-	45	1,0	120	7,5	PHP 2SPB200TB	
212	8	2517	219,0	16	60	44	169	-	45	1,0	120	7,0	PHP 2SPB212TB			
224	4	2517	231,0	16	60	44	181	-	45	1,0	120	7,7	PHP 2SPB224TB			
236	4	2517	243,0	16	60	44	193	-	45	1,0	120	8,3	PHP 2SPB236TB			
250	4	2517	257,0	16	60	44	207	-	45	1,0	120	8,6	PHP 2SPB250TB			
280	4	2517	287,0	16	60	44	237	-	45	1,0	120	10,1	PHP 2SPB280TB			
300	4	2517	307,0	16	60	44	257	-	45	1,0	120	11,0	PHP 2SPB300TB			
315	4	2517	322,0	16	60	44	272	-	45	1,0	120	12,2	PHP 2SPB315TB			
335	4	2517	342,0	16	60	44	292	-	45	1,0	120	14,0	PHP 2SPB335TB			
355	4	3020	362,0	25	75	44	312	3,5	51	3,5	120	15,9	PHP 2SPB355TB			
400	4	3020	407,0	25	75	44	357	3,5	51	3,5	150	18,3	PHP 2SPB400TB			
450	4	3020	457,0	25	75	44	407	3,5	51	3,5	150	16,3	PHP 2SPB450TB			
500	4	3020	507,0	25	75	44	457	3,5	51	3,5	150	18,6	PHP 2SPB500TB			
560	4	3030	567,0	35	75	44	517	4,0	76	28,0	150	22,5	PHP 2SPB560TB			
630	4	3030	637,0	35	75	44	587	16,0	76	-	150	25,5	PHP 2SPB630TB			
SPB	3	100	6	1610	107,0	14	42	63	62	38,0	25	-	-	0,9	PHP 3SPB100TB	
		106	6	1610	113,0	14	42	63	67	38,0	25	-	-	2,0	PHP 3SPB106TB	
		112	6	1610	119,0	14	42	63	72	38,0	25	-	-	2,0	PHP 3SPB112TB	
		118	2	1610	125,0	14	42	63	78	-	25	38,0	-	2,3	PHP 3SPB118TB	
		125	2	2012	132,0	14	50	63	82	-	32	31,0	-	2,5	PHP 3SPB125TB	
		132	2	2012	139,0	14	50	63	89	-	32	31,0	-	3,1	PHP 3SPB132TB	
		140	2	2012	147,0	14	50	63	97	-	32	31,0	-	3,5	PHP 3SPB140TB	
		150	2	2517	157,0	16	60	63	107	-	45	18,0	-	4,0	PHP 3SPB150TB	

* Mass does not include bushings.
Non-functional dimensions may vary slightly.

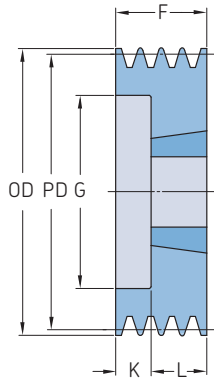
Wedge belt pulleys
SPB taper bushed



Section	Number of grooves	Pitch diameter PD	Pulley type	Bushing number	Dimensions		B Min.	Max.	F	G	K	L	M	H	Mass*	Designation	
					Outer diameter OD												
mm																	
SPB	3	160	2	2517	167,0	16	60	63	117	-	45	18,0	-	4,9	PHP 3SPB160TB		
		170	2	2517	177,0	16	60	63	127	-	45	18,0	-	5,7	PHP 3SPB170TB		
		180	2	2517	187,0	16	60	63	137	-	45	18,0	-	6,7	PHP 3SPB180TB		
		190	2	2517	197,0	16	60	63	147	-	45	18,0	-	7,6	PHP 3SPB190TB		
		200	2	2517	207,0	16	60	63	157	-	45	18,0	-	8,9	PHP 3SPB200TB		
			212	7	2517	219,0	16	60	63	169	-	45	18,0	120	8,2	PHP 3SPB212TB	
			224	4	2517	231,0	16	60	63	181	-	45	18,0	120	9,1	PHP 3SPB224TB	
			236	4	2517	243,0	16	60	63	193	-	45	18,0	120	9,8	PHP 3SPB236TB	
			250	4	3020	257,0	25	75	63	207	-	51	12,0	150	11,2	PHP 3SPB250TB	
			280	4	3020	287,0	25	75	63	237	6,0	51	6,0	150	12,0	PHP 3SPB280TB	
			300	4	3020	307,0	25	75	63	257	6,0	51	6,0	150	13,5	PHP 3SPB300TB	
			315	4	3020	322,0	25	75	63	272	6,0	51	6,0	150	14,2	PHP 3SPB315TB	
			335	4	3020	342,0	25	75	63	292	6,0	51	6,0	150	16,0	PHP 3SPB335TB	
			355	4	3020	362,0	25	75	63	312	6,0	51	6,0	150	17,7	PHP 3SPB355TB	
			400	4	3535	407,0	35	90	63	357	13,0	89	13,0	170	25,0	PHP 3SPB400TB	
			450	4	3535	457,0	35	90	63	407	-	89	26,0	170	26,3	PHP 3SPB450TB	
			500	4	3535	507,0	35	90	63	457	-	89	26,0	170	29,9	PHP 3SPB500TB	
			560	4	3535	567,0	35	90	63	517	-	89	26,0	170	37,2	PHP 3SPB560TB	
			630	4	3535	637,0	35	90	63	587	-	89	26,0	170	41,0	PHP 3SPB630TB	
			710	4	3535	717,0	35	90	63	664	13,0	89	13,0	170	48,0	PHP 3SPB710TB	
		800	4	3535	807,0	35	90	63	754	13,0	89	13,0	170	55,0	PHP 3SPB800TB		
		900	4	3535	907,0	35	90	63	854	13,0	89	13,0	170	64,1	PHP 3SPB900TB		
		1 000	4	4040	1 007,0	40	100	63	954	20,0	102	20,0	210	72,0	PHP 3SPB1000TB		
		1 250	4	4040	1 257,0	40	100	63	1 204	20,0	102	20,0	210	140,0	PHP 3SPB1250TB		
SPB	4	100	3	1210	107,0	11	32	82	58	29,0	25	29,0	-	2,4	PHP 4SPB100TB		
		106	3	1610	113,0	14	42	82	65	29,0	25	29,0	-	2,3	PHP 4SPB106TB		
		112	3	1610	119,0	14	42	82	65	29,0	25	29,0	-	2,8	PHP 4SPB112TB		
		118	3	1610	125,0	14	42	82	71	29,0	25	29,0	-	3,3	PHP 4SPB118TB		
		125	3	2012	132,0	14	50	82	82	25,0	32	25,0	-	3,0	PHP 4SPB125TB		
				132	3	2012	139,0	14	50	82	89	25,0	32	25,0	-	3,8	PHP 4SPB132TB
				140	3	2517	147,0	16	60	82	97	18,5	45	18,5	-	4,0	PHP 4SPB140TB
				150	3	2517	157,0	16	60	82	107	18,5	45	18,5	-	4,9	PHP 4SPB150TB
				160	3	2517	167,0	16	60	82	117	18,5	45	18,5	-	5,8	PHP 4SPB160TB
				170	3	2517	177,0	16	60	82	127	18,5	45	18,5	-	6,6	PHP 4SPB170TB
			180	3	2517	187,0	16	60	82	137	18,5	45	18,5	-	7,7	PHP 4SPB180TB	
			190	3	2517	197,0	16	60	82	147	18,5	45	18,5	-	8,6	PHP 4SPB190TB	
			200	3	3020	207,0	25	75	82	157	15,5	51	15,5	-	9,3	PHP 4SPB200TB	
			212	3	3020	219,0	25	75	82	169	15,5	51	15,5	-	10,9	PHP 4SPB212TB	
			224	3	3020	231,0	25	75	82	181	15,5	51	15,5	-	12,4	PHP 4SPB224TB	
			236	3	3020	243,0	25	75	82	193	15,5	51	15,5	-	14,1	PHP 4SPB236TB	
			250	5	3020	257,0	25	75	82	207	15,5	51	15,5	150	12,7	PHP 4SPB250TB	
			280	5	3020	287,0	25	75	82	237	15,5	51	15,5	150	13,8	PHP 4SPB280TB	
			300	4	3535	307,0	35	90	82	257	-	89	7,0	150	20,5	PHP 4SPB300TB	
			315	4	3535	322,0	35	90	82	272	3,5	89	3,5	170	20,6	PHP 4SPB315TB	
			335	4	3535	342,0	35	90	82	292	3,5	89	3,5	170	22,0	PHP 4SPB335TB	
			355	4	3535	362,0	35	90	82	312	3,5	89	3,5	170	23,2	PHP 4SPB355TB	
			400	4	3535	407,0	35	90	82	357	3,5	89	3,5	170	26,5	PHP 4SPB400TB	
			450	4	3535	457,0	35	90	82	407	-	89	7,0	170	29,7	PHP 4SPB450TB	
			500	4	3535	507,0	35	90	82	457	-	89	7,0	170	34,7	PHP 4SPB500TB	
			560	4	3535	567,0	35	90	82	517	-	89	7,0	170	39,0	PHP 4SPB560TB	
			630	4	3535	637,0	35	90	82	587	-	89	7,0	170	44,5	PHP 4SPB630TB	
			710	4	3535	717,0	35	90	82	664	3,5	89	3,5	187	50,5	PHP 4SPB710TB	
			800	4	4040	807,0	40	100	82	754	10,0	102	10,0	200	60,5	PHP 4SPB800TB	
			900	4	4040	907,0	40	100	82	854	10,0	102	10,0	216	70,0	PHP 4SPB900TB	

* Mass does not include bushings.
Non-functional dimensions may vary slightly.

Wedge belt pulleys
SPB taper bushed



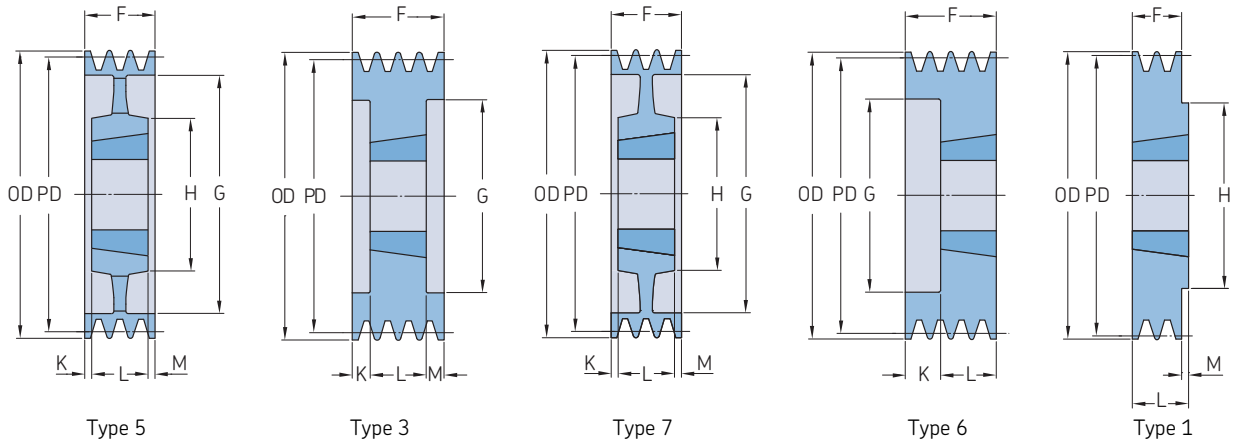
Type 6

Section	Number of grooves	Pitch diameter PD	Pulley type	Bushing number	Dimensions		F	G	K	L	M	H	Mass*	Designation	
					Outer diameter OD	B Min. Max.									
													kg	-	
SPB	4	1 000	4	4040	1 007,0	40	100	82	954	10,0	102	10,0	216	76,5	PHP 4SPB1000TB
		1 250	4	4545	1 257,0	55	110	82	1 204	16,0	114	16,0	225	162,0	PHP 4SPB1250TB
SPB	5	125	6	2012	132,0	14	50	101	87	69,0	32	-	-	3,6	PHP 5SPB125TB
		132	6	2517	139,0	16	60	101	94	56,0	45	-	-	3,8	PHP 5SPB132TB
		140	3	2517	147,0	16	60	101	97	28,0	45	28,0	-	4,2	PHP 5SPB140TB
		150	3	2517	157,0	16	60	101	107	28,0	45	28,0	-	5,7	PHP 5SPB150TB
		160	3	2517	167,0	16	60	101	117	28,0	45	28,0	-	6,7	PHP 5SPB160TB
		170	3	3020	177,0	25	75	101	127	25,0	51	25,0	-	6,7	PHP 5SPB170TB
		180	3	3020	187,0	25	75	101	137	25,0	51	25,0	-	7,8	PHP 5SPB180TB
		190	3	3020	197,0	25	75	101	147	25,0	51	25,0	-	9,1	PHP 5SPB190TB
		200	3	3020	207,0	25	75	101	157	25,0	51	25,0	-	10,3	PHP 5SPB200TB
		212	3	3020	219,0	25	75	101	169	25,0	51	25,0	-	12,2	PHP 5SPB212TB
		224	3	3020	231,0	25	75	101	181	25,0	51	25,0	-	13,7	PHP 5SPB224TB
		236	3	3535	243,0	35	90	101	193	6,0	89	6,0	-	15,9	PHP 5SPB236TB
		250	3	3535	257,0	35	90	101	207	6,0	89	6,0	-	18,6	PHP 5SPB250TB
		280	7	3535	287,0	35	90	101	237	6,0	89	6,0	170	21,4	PHP 5SPB280TB
		300	5	3535	307,0	35	90	101	257	6,0	89	6,0	170	22,5	PHP 5SPB300TB
		315	5	3535	322,0	35	90	101	272	6,0	89	6,0	170	22,3	PHP 5SPB315TB
		335	5	3535	342,0	35	90	101	292	6,0	89	6,0	170	24,0	PHP 5SPB335TB
		355	4	3535	362,0	35	90	101	312	6,0	89	6,0	170	25,5	PHP 5SPB355TB
		400	5	3535	407,0	35	90	101	357	6,0	89	6,0	170	30,2	PHP 5SPB400TB
		450	5	3535	457,0	35	90	101	407	-	89	12,0	170	32,8	PHP 5SPB450TB
		500	5	3535	507,0	35	90	101	457	-	89	12,0	170	36,7	PHP 5SPB500TB
		530	5	3525	537,0	35	90	101	487	-	89	12,0	170	39,2	PHP 5SPB530TB
		560	4	4040	567,0	40	100	101	517	-	102	1,0	200	45,6	PHP 5SPB560TB
		630	4	4040	637,0	40	100	101	587	-	102	1,0	200	50,0	PHP 5SPB630TB
710	4	4040	717,0	40	100	101	664	-	102	1,0	200	63,5	PHP 5SPB710TB		
800	4	4040	807,0	40	100	101	754	-	102	1,0	200	67,0	PHP 5SPB800TB		
900	4	4040	907,0	40	100	101	854	-	114	1,0	200	103,0	PHP 5SPB900TB		
1 000	4	4545	1 007,0	55	110	101	954	6,5	114	6,5	225	110,0	PHP 5SPB1000TB		
1 250	4	4545	1 257,0	55	110	101	1 204	6,5	114	6,5	225	180,0	PHP 5SPB1250TB		
SPB	6	125	3	2012	132,0	14	50	120	83	44,0	32	44,0	-	4,2	PHP 6SPB125TB
		132	3	2012	139,0	14	50	120	90	44,0	32	44,0	-	4,5	PHP 6SPB132TB
		140	3	2517	147,0	16	60	120	97	37,5	45	37,5	-	4,7	PHP 6SPB140TB
		150	3	2517	157,0	16	60	120	107	37,5	45	37,5	-	6,5	PHP 6SPB150TB
		160	3	3020	167,0	25	75	120	117	34,5	51	34,5	-	5,9	PHP 6SPB160TB
		170	3	3020	177,0	25	75	120	127	34,5	51	34,5	-	7,6	PHP 6SPB170TB
		180	3	3020	187,0	25	75	120	137	34,5	51	34,5	-	8,9	PHP 6SPB180TB
		190	3	3020	197,0	25	75	120	147	34,5	51	34,5	-	10,2	PHP 6SPB190TB
		200	3	3020	207,0	25	75	120	157	34,5	51	34,5	-	11,7	PHP 6SPB200TB
		212	3	3535	219,0	35	90	120	169	15,5	89	15,5	-	13,2	PHP 6SPB212TB
		224	3	3535	231,0	35	90	120	181	15,5	89	15,5	-	15,2	PHP 6SPB224TB
		236	3	3535	243,0	35	90	120	193	15,5	89	15,5	-	17,6	PHP 6SPB236TB
		250	3	3535	257,0	35	90	120	207	15,5	89	15,5	-	20,2	PHP 6SPB250TB
		280	7	3535	287,0	35	90	120	237	15,5	89	15,5	191	23,5	PHP 6SPB280TB
		300	5	3535	307,0	35	90	120	257	15,5	89	15,5	191	24,0	PHP 6SPB300TB
		315	5	3535	322,0	35	90	120	272	15,5	89	15,5	191	24,1	PHP 6SPB315TB
		335	5	3535	342,0	35	90	120	292	15,5	89	15,5	191	26,0	PHP 6SPB335TB
		355	5	3535	362,0	35	90	120	312	15,5	89	15,5	191	28,3	PHP 6SPB355TB
		400	5	3535	407,0	35	90	120	357	15,5	89	15,5	191	31,8	PHP 6SPB400TB
		450	5	4040	457,0	40	100	120	407	-	102	18,0	191	35,3	PHP 6SPB450TB
		500	5	4040	507,0	40	100	120	457	-	102	18,0	191	40,7	PHP 6SPB500TB
		560	5	4040	567,0	40	100	120	517	-	102	18,0	191	49,2	PHP 6SPB560TB

* Mass does not include bushings.
Non-functional dimensions may vary slightly.

Wedge belt pulleys

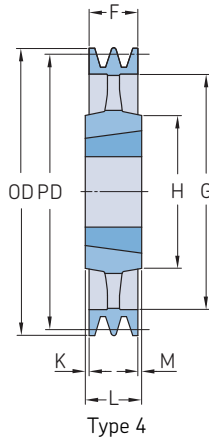
SPB taper bushed | SPC taper bushed



Section	Number of grooves	Pitch diameter PD	Pulley type	Bushing number	Dimensions		B Min.	Max.	F	G	K	L	M	H	Mass*	Designation
					Outer diameter OD											
mm																
SPB	6	630	5	4040	637,0	40	100	120	587	-	102	18,0	191	53,5	PHP 6SPB630TB	
		710	5	4040	717,0	40	100	120	664	9,0	102	9,0	240	69,0	PHP 6SPB710TB	
		800	5	4545	807,0	55	110	120	754	3,0	114	3,0	240	84,5	PHP 6SPB800TB	
		900	5	4545	907,0	55	110	120	854	3,0	114	3,0	240	94,5	PHP 6SPB900TB	
		1 000	5	4545	1 007,0	55	110	120	954	3,0	114	3,0	240	104,0	PHP 6SPB1000TB	
		1 250	5	4545	1 257,0	55	110	120	1 204	3,0	127	3,0	240	210,0	PHP 6SPB1250TB	
	SPB	8	140	3	2517	147,0	16	60	158	97	56,5	45	56,5	-	6,8	PHP 8SPB140TB
			160	3	3020	167,0	25	75	158	117	53,5	51	53,5	-	8,3	PHP 8SPB160TB
			170	3	3030	177,0	35	75	158	127	41,0	76	41,0	-	9,5	PHP 8SPB170TB
			180	3	3030	187,0	35	75	158	137	41,0	76	41,0	-	10,8	PHP 8SPB180TB
190			3	3030	197,0	35	75	158	147	41,0	76	41,0	-	12,3	PHP 8SPB190TB	
200			3	3535	207,0	35	90	158	157	34,5	89	34,5	-	13,7	PHP 8SPB200TB	
212			3	3535	219,0	35	90	158	169	34,5	89	34,5	-	15,8	PHP 8SPB212TB	
224			3	3535	231,0	35	90	158	181	34,5	89	34,5	-	17,9	PHP 8SPB224TB	
236			3	3535	243,0	35	90	158	193	34,5	89	34,5	-	20,0	PHP 8SPB236TB	
250			3	3535	257,0	35	90	158	207	34,5	89	34,5	-	23,2	PHP 8SPB250TB	
		280	7	3535	287,0	35	90	158	237	34,5	89	34,5	-	26,6	PHP 8SPB280TB	
		300	7	3535	307,0	35	90	158	257	34,5	89	34,5	170	27,3	PHP 8SPB300TB	
		315	7	3535	322,0	35	90	158	272	34,5	89	34,5	170	28,0	PHP 8SPB315TB	
		335	7	3535	342,0	35	90	158	292	34,5	89	34,5	170	30,5	PHP 8SPB335TB	
		355	7	3535	362,0	35	90	158	312	34,5	89	34,5	170	31,5	PHP 8SPB355TB	
		400	5	4040	407,0	40	100	158	357	28,0	102	28,0	200	43,0	PHP 8SPB400TB	
		450	5	4040	457,0	40	100	158	407	28,0	102	28,0	200	46,0	PHP 8SPB450TB	
		500	5	4040	507,0	40	100	158	457	28,0	102	28,0	200	52,0	PHP 8SPB500TB	
		560	5	4545	567,0	55	110	158	517	22,0	114	22,0	225	54,5	PHP 8SPB560TB	
		630	5	4545	637,0	55	110	158	587	22,0	114	22,0	225	67,0	PHP 8SPB630TB	
	710	5	4545	717,0	55	110	158	664	22,0	114	22,0	225	75,5	PHP 8SPB710TB		
	800	5	4545	807,0	55	110	158	754	22,0	114	22,0	225	94,5	PHP 8SPB800TB		
	900	5	4545	907,0	55	110	158	854	22,0	114	22,0	225	113,5	PHP 8SPB900TB		
	1 000	5	5050	1 007,0	70	125	158	954	15,5	127	15,5	245	121,5	PHP 8SPB1000TB		
	1 250	5	5050	1 257,0	70	125	158	1 204	15,5	127	15,5	245	242,0	PHP 8SPB1250TB		
SPB	10	224	3	3535	231,0	35	90	196	181	53,5	89	53,5	-	20,5	PHP 10SPB224TB	
		236	3	3535	243,0	35	90	196	193	53,5	89	53,5	-	22,6	PHP 10SPB236TB	
		250	3	3535	257,0	35	90	196	207	53,5	89	53,5	-	26,6	PHP 10SPB250TB	
		280	6	3535	287,0	35	90	196	237	53,5	89	53,5	-	27,8	PHP 10SPB280TB	
		315	7	3535	322,0	35	90	196	272	53,5	89	53,5	170	28,8	PHP 10SPB315TB	
		335	5	4040	342,0	40	100	196	292	47,0	102	47,0	200	32,0	PHP 10SPB335TB	
		355	5	4040	362,0	40	100	196	312	47,0	102	47,0	200	33,5	PHP 10SPB355TB	
		400	5	4040	407,0	40	100	196	357	47,0	102	47,0	200	36,0	PHP 10SPB400TB	
		450	5	4545	457,0	55	110	196	407	41,0	114	41,0	225	47,0	PHP 10SPB450TB	
		500	5	4545	507,0	55	110	196	457	41,0	114	41,0	225	55,0	PHP 10SPB500TB	
	560	5	4545	567,0	55	110	196	517	41,0	114	41,0	225	59,0	PHP 10SPB560TB		
	630	5	4545	637,0	55	110	196	587	41,0	114	41,0	225	66,0	PHP 10SPB630TB		
	710	5	4545	717,0	55	125	196	664	41,0	114	41,0	225	75,0	PHP 10SPB710TB		
	800	5	4545	807,0	55	125	196	754	41,0	114	41,0	225	96,0	PHP 10SPB800TB		
	900	5	5050	907,0	70	125	196	854	34,5	127	34,5	245	119,0	PHP 10SPB900TB		
		1 000	5	5050	1 007,0	70	125	196	954	34,5	127	34,5	245	141,0	PHP 10SPB1000TB	
		1 250	5	5050	1 257,0	70	125	196	1 203	35,0	127	-	-	265,0	PHP 10SPB1250TB	
	SPC	3	200	3	2517	209,6	16	60	85	150	20,0	45	20,0	-	10,2	PHP 3SPC200TB
			212	3	3020	221,6	25	75	85	162	17,0	51	17,0	-	11,2	PHP 3SPC212TB
			224	3	3020	233,6	25	75	85	173	17,0	51	17,0	-	12,7	PHP 3SPC224TB
236			3	3020	245,6	25	75	85	185	17,0	51	17,0	-	14,4	PHP 3SPC236TB	
250			3	3020	259,6	25	75	85	194	17,0	51	17,0	-	16,5	PHP 3SPC250TB	

* Mass does not include bushings.
Non-functional dimensions may vary slightly.

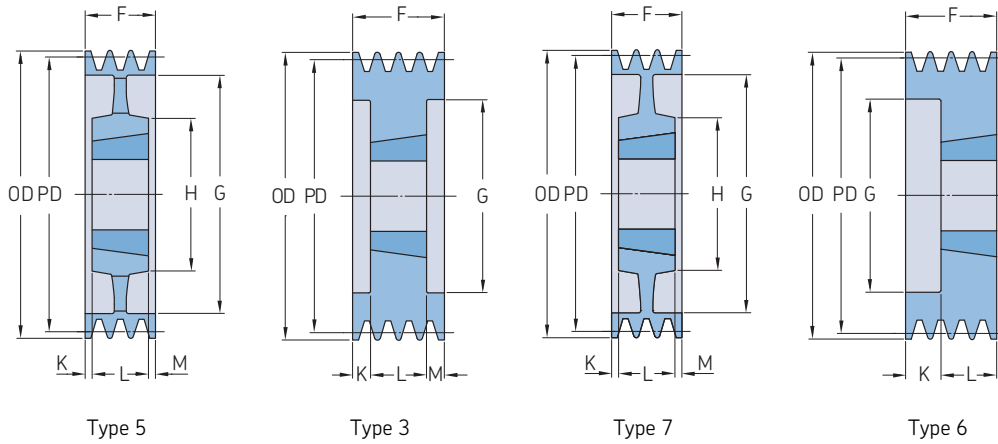
Wedge belt pulleys
SPC taper bushed



Section	Number of grooves	Pitch diameter PD	Pulley type	Bushing number	Dimensions										Mass*	Designation	
					Outer diameter OD	B Min.	Max.	F	G	K	L	M	H				
		mm			mm										kg		
SPC	3	265	1	3535	274,6	35	90	85	—	—	89	4,0	170	19,7	PHP 3SPC265TB		
		280	1	3535	289,6	35	90	85	—	—	89	4,0	170	22,7	PHP 3SPC280TB		
		300	4	3535	309,6	35	90	85	249	2,0	89	2,0	170	22,7	PHP 3SPC300TB		
		315	7	3535	324,6	35	90	85	264	2,0	89	2,0	170	22,0	PHP 3SPC315TB		
		335	4	3535	344,6	35	90	85	284	2,0	89	2,0	170	24,1	PHP 3SPC335TB		
		355	4	3535	364,6	35	90	85	304	2,0	89	2,0	170	26,2	PHP 3SPC355TB		
	SPC	4	375	4	3535	384,6	35	90	85	324	2,0	89	2,0	170	28,0	PHP 3SPC375TB	
			400	4	3535	409,6	35	90	85	344	2,0	89	2,0	170	29,3	PHP 3SPC400TB	
			425	4	3535	434,6	35	90	85	369	2,0	89	2,0	170	32,8	PHP 3SPC425TB	
			450	4	3535	459,6	35	90	85	394	2,0	89	2,0	170	34,7	PHP 3SPC450TB	
			475	4	3535	484,6	35	90	85	419	2,0	89	2,0	170	36,5	PHP 3SPC475TB	
			500	4	3535	509,6	35	90	85	444	2,0	89	2,0	170	40,0	PHP 3SPC500TB	
		SPC	4	530	4	3535	539,6	35	90	85	474	2,0	89	2,0	170	42,5	PHP 3SPC530TB
				560	4	3535	569,6	35	90	85	504	2,0	89	2,0	170	45,9	PHP 3SPC560TB
				630	4	4040	639,6	40	100	85	574	8,5	102	8,5	200	76,3	PHP 3SPC630TB
				710	4	4040	719,6	70	100	85	654	8,5	102	8,5	200	81,6	PHP 3SPC710TB
				800	4	4545	809,6	55	110	85	737	14,5	114	14,5	225	87,0	PHP 3SPC800TB
				1 000	4	5050	1 009,6	70	125	85	937	21,0	127	21,0	245	120,0	PHP 3SPC1000TB
SPC	5	1 250	4	5050	1 259,6	70	125	85	1 187	21,0	127	21,0	245	175,0	PHP 3SPC1250TB		
		200	3	3020	209,6	25	75	111	144	30,0	51	30,0	—	11,3	PHP 4SPC200TB		
		212	3	3020	221,6	25	75	111	156	30,0	51	30,0	—	13,0	PHP 4SPC212TB		
		224	3	3535	233,6	35	90	111	168	11,0	89	11,0	—	14,5	PHP 4SPC224TB		
		236	3	3535	245,6	35	90	111	180	11,0	89	11,0	—	16,7	PHP 4SPC236TB		
		250	3	3535	259,6	35	90	111	194	11,0	89	11,0	—	19,3	PHP 4SPC250TB		
	SPC	5	265	3	3535	274,6	35	90	111	209	11,0	89	11,0	—	22,4	PHP 4SPC265TB	
			280	7	3535	289,6	35	90	111	224	11,0	89	11,0	—	25,4	PHP 4SPC280TB	
			300	5	3535	309,6	35	90	111	244	11,0	89	11,0	170	25,4	PHP 4SPC300TB	
			315	5	3535	324,6	35	90	111	259	11,0	89	11,0	170	25,3	PHP 4SPC315TB	
			335	5	3535	344,6	35	90	111	279	11,0	89	11,0	170	27,4	PHP 4SPC335TB	
			355	5	3535	364,6	35	90	111	299	11,0	89	11,0	170	29,6	PHP 4SPC355TB	
	SPC	5	375	5	3535	384,6	35	90	111	319	11,0	89	11,0	170	31,3	PHP 4SPC375TB	
			400	5	3535	409,6	35	90	111	344	11,0	89	11,0	170	33,8	PHP 4SPC400TB	
			425	5	3535	434,6	35	90	111	369	11,0	89	11,0	170	38,0	PHP 4SPC425TB	
			450	5	3535	459,6	35	90	111	394	11,0	89	11,0	170	41,3	PHP 4SPC450TB	
			475	5	3535	484,6	35	90	111	419	11,0	89	11,0	170	43,7	PHP 4SPC475TB	
			500	5	3535	509,6	35	90	111	444	11,0	89	11,0	170	46,0	PHP 4SPC500TB	
SPC	5	530	5	4040	539,6	40	100	111	474	4,5	102	4,5	170	52,0	PHP 4SPC530TB		
		560	5	4040	569,6	40	100	111	504	4,5	102	4,5	200	58,0	PHP 4SPC560TB		
		630	4	4545	639,6	55	110	111	574	1,5	114	1,5	225	63,8	PHP 4SPC630TB		
		710	4	5050	719,6	70	125	111	654	8,0	127	8,0	267	83,2	PHP 4SPC710TB		
		800	4	5050	809,6	70	125	111	737	8,0	127	8,0	267	102,5	PHP 4SPC800TB		
		1 000	4	5050	1 009,6	70	125	111	937	8,0	127	8,0	267	130,0	PHP 4SPC1000TB		
SPC	5	1 250	4	5050	1 259,6	70	125	111	1 187	8,0	127	8,0	267	186,0	PHP 4SPC1250TB		
		200	3	3535	209,6	35	90	136	150	23,5	89	23,5	—	12,2	PHP 5SPC200TB		
		212	3	3535	221,6	35	90	136	160	23,5	89	23,5	—	14,5	PHP 5SPC212TB		
		224	3	3535	233,6	35	90	136	173	23,5	89	23,5	—	16,6	PHP 5SPC224TB		
		236	3	3535	245,6	35	90	136	185	23,5	89	23,5	—	18,9	PHP 5SPC236TB		
		250	3	3535	259,6	35	90	136	198	23,5	89	23,5	—	21,5	PHP 5SPC250TB		
	SPC	5	265	3	3535	274,6	35	90	136	213	23,5	89	23,5	—	25,0	PHP 5SPC265TB	
			280	3	3535	289,6	35	90	136	228	23,5	89	23,5	—	28,4	PHP 5SPC280TB	
			300	7	3535	309,6	35	90	136	247	23,5	89	23,5	170	28,2	PHP 5SPC300TB	
			315	5	3535	324,6	35	90	136	264	23,5	89	23,5	170	28,1	PHP 5SPC315TB	
			335	5	3535	344,6	35	90	136	280	23,5	89	23,5	170	31,1	PHP 5SPC335TB	

* Mass does not include bushings.
Non-functional dimensions may vary slightly.

Wedge belt pulleys
SPC taper bushed



Section	Number of grooves	Pitch diameter PD	Pulley type	Bushing number	Dimensions			F	G	K	L	M	H	Mass*	Designation		
					Outer diameter OD	B Min.	Max.										
					mm										kg		
SPC	5	355	5	3535	364,6	35	90	136	304	23,5	89	23,5	170	33,1	PHP 5SPC355TB		
		375	5	3535	384,6	35	90	136	324	23,5	89	23,5	170	35,6	PHP 5SPC375TB		
		400	5	3535	409,6	35	90	136	344	23,5	89	23,5	170	38,5	PHP 5SPC400TB		
		425	5	3535	434,6	35	90	136	369	23,5	89	23,5	170	42,5	PHP 5SPC425TB		
		450	5	4040	459,6	40	100	136	394	17,0	102	17,0	200	44,3	PHP 5SPC450TB		
		475	5	4040	484,6	40	100	136	419	17,0	102	17,0	200	48,5	PHP 5SPC475TB		
	SPC	6	200	3	3535	209,6	35	90	162	148	36,5	89	36,5	-	14,1	PHP 6SPC200TB	
			212	3	3535	221,6	35	90	162	160	36,5	89	36,5	-	16,5	PHP 6SPC212TB	
			224	3	3535	233,6	35	90	162	173	36,5	89	36,5	-	18,0	PHP 6SPC224TB	
			236	3	3535	245,6	35	90	162	185	36,5	89	36,5	-	21,3	PHP 6SPC236TB	
			250	3	3535	259,6	35	90	162	198	36,5	89	36,5	-	29,0	PHP 6SPC250TB	
			265	3	3535	274,6	35	90	162	213	36,5	89	36,5	-	30,3	PHP 6SPC265TB	
		SPC	7	280	7	3535	289,6	35	90	162	228	36,5	89	36,5	-	31,5	PHP 6SPC280TB
				300	7	3535	309,6	35	90	162	247	36,5	89	36,5	170	31,5	PHP 6SPC300TB
				315	5	3535	324,6	35	90	162	264	36,5	89	36,5	170	33,2	PHP 6SPC315TB
				335	5	3535	344,6	35	90	162	280	36,5	89	36,5	170	37,5	PHP 6SPC335TB
				355	5	3535	364,6	35	90	162	304	36,5	89	36,5	170	40,5	PHP 6SPC355TB
				375	5	4040	384,6	40	100	162	324	30,0	102	30,0	200	44,5	PHP 6SPC375TB
SPC	8	400	5	4040	409,6	40	100	162	348	30,0	102	30,0	200	48,0	PHP 6SPC400TB		
		425	5	4040	434,6	40	100	162	369	30,0	102	30,0	225	51,0	PHP 6SPC425TB		
		450	7	4545	459,6	55	110	162	394	24,0	114	24,0	225	57,5	PHP 6SPC450TB		
		475	5	4545	484,6	55	110	162	419	24,0	114	24,0	225	62,0	PHP 6SPC475TB		
		500	5	4545	509,6	55	110	162	444	24,0	114	24,0	225	67,0	PHP 6SPC500TB		
		530	5	5050	539,6	70	125	162	474	17,5	114	17,5	245	74,5	PHP 6SPC530TB		
	SPC	5	560	5	5050	569,6	70	125	162	504	17,5	127	17,5	245	77,5	PHP 6SPC560TB	
			630	5	5050	639,6	70	125	162	574	17,5	127	17,5	245	88,5	PHP 6SPC630TB	
			710	5	5050	719,6	70	125	162	654	17,5	127	17,5	245	107,3	PHP 6SPC710TB	
			800	5	5050	809,6	70	125	162	737	17,5	127	17,5	245	126,0	PHP 6SPC800TB	
			1 000	5	5050	1 009,6	70	125	162	937	17,5	127	17,5	245	185,0	PHP 6SPC1000TB	
			1 250	5	5050	1 259,6	70	125	162	1 187	17,5	127	17,5	245	258,0	PHP 6SPC1250TB	
SPC	8	200	3	3535	209,6	35	90	213	148	62,0	89	62,0	-	20,0	PHP 8SPC200TB		
		212	3	3535	221,6	35	90	213	160	62,0	89	62,0	-	21,3	PHP 8SPC212TB		
		224	3	3535	233,6	35	90	213	170	62,0	89	62,0	-	22,9	PHP 8SPC224TB		
		236	3	3535	245,6	35	90	213	184	62,0	89	62,0	-	25,9	PHP 8SPC236TB		
		250	3	3535	259,6	35	90	213	198	62,0	89	62,0	-	29,0	PHP 8SPC250TB		
		265	3	3535	274,6	35	90	213	213	62,0	89	62,0	-	32,5	PHP 8SPC265TB		
	SPC	3	280	3	3535	289,6	35	90	213	228	62,0	89	62,0	-	36,1	PHP 8SPC280TB	
			300	3	4040	309,6	40	100	213	207	55,5	102	55,5	-	37,1	PHP 8SPC300TB	
			315	3	4040	324,6	40	100	213	258	55,5	102	55,5	-	40,0	PHP 8SPC315TB	
			335	7	4040	344,6	40	100	213	280	55,5	102	55,5	210	44,0	PHP 8SPC335TB	
			355	5	4040	364,6	40	100	213	304	55,5	102	55,5	210	49,0	PHP 8SPC355TB	
			375	5	4545	384,6	55	110	213	324	49,5	114	49,5	242	54,5	PHP 8SPC375TB	
	SPC	5	400	5	4545	409,6	55	110	213	348	49,5	114	49,5	242	58,0	PHP 8SPC400TB	
			425	5	4545	434,6	55	110	213	369	49,5	114	49,5	242	63,5	PHP 8SPC425TB	
			450	5	5050	459,6	70	125	213	394	43,0	127	43,0	267	70,0	PHP 8SPC450TB	

* Mass does not include bushings.
Non-functional dimensions may vary slightly.

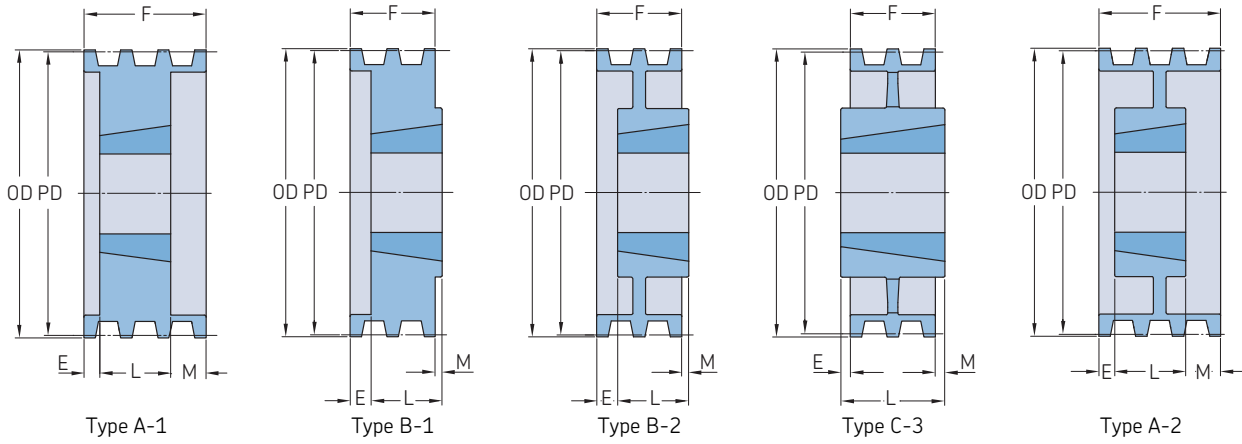
Wedge belt pulleys
SPC taper bushed

Section	Number of grooves	Pitch diameter PD	Pulley type	Bushing number	Dimensions									Mass*	Designation		
					Outer diameter OD	B Min.	Max.	F	G	K	L	M	H				
–	–	mm	–	–	mm									kg	–		
SPC	8	475	5	5050	484,6	70	125	213	419	43,0	127	43,0	267	72,0	PHP 8SPC475TB		
		500	5	5050	509,6	70	125	213	444	43,0	127	43,0	267	82,5	PHP 8SPC500TB		
		530	5	5050	539,6	70	125	213	474	43,0	127	43,0	267	82,5	PHP 8SPC530TB		
		560	5	5050	569,6	70	125	213	504	43,0	127	43,0	267	94,5	PHP 8SPC560TB		
		630	5	5050	639,6	70	125	213	574	43,0	127	43,0	267	102,0	PHP 8SPC630TB		
		710	5	5050	719,6	70	125	213	656	43,0	127	43,0	267	123,5	PHP 8SPC710TB		
	8	800	5	5050	809,6	70	125	213	737	43,0	127	43,0	267	145,0	PHP 8SPC800TB		
		1 000	5	5050	1 009,6	70	125	213	937	43,0	127	43,0	267	207,0	PHP 8SPC1000TB		
		1 250	5	5050	1 259,6	70	125	213	1 187	43,0	127	43,0	267	285,0	PHP 8SPC1250TB		
		SPC	10	224	3	4040	233,6	40	100	264	168	81,0	102	–	–	28,0	PHP 10SPC224TB
				236	3	4040	245,6	40	100	264	180	81,0	102	81,0	–	30,9	PHP 10SPC236TB
				250	3	4040	259,6	40	100	264	196	81,0	102	81,0	–	35,0	PHP 10SPC250TB
265	3			4040	274,6	40	100	264	209	81,0	102	81,0	–	39,5	PHP 10SPC265TB		
280	3			4040	289,6	40	100	264	226	81,0	102	81,0	–	42,1	PHP 10SPC280TB		
300	3			4545	309,6	55	110	264	245	75,0	114	75,0	–	44,1	PHP 10SPC300TB		
10	315		3	4545	324,6	55	110	264	258	75,0	114	75,0	–	47,0	PHP 10SPC315TB		
	335		3	4545	344,6	55	110	264	279	75,0	114	75,0	–	51,0	PHP 10SPC335TB		
	355		3	4545	364,6	55	110	264	299	75,0	114	75,0	–	57,0	PHP 10SPC355TB		
	375		3	4545	384,6	55	110	264	319	68,5	127	68,5	245	62,5	PHP 10SPC375TB		
	400		6	5050	409,6	70	125	264	342	68,5	127	68,5	245	66,0	PHP 10SPC400TB		
	425		7	5050	434,6	70	125	264	369	68,5	127	68,5	245	70,5	PHP 10SPC425TB		
10	450	5	5050	459,6	70	125	264	394	68,5	127	68,5	245	78,0	PHP 10SPC450TB			
	475	5	5050	484,6	70	125	264	419	68,5	127	68,5	245	82,0	PHP 10SPC475TB			
	500	5	5050	509,6	70	125	264	444	68,5	127	68,5	245	95,5	PHP 10SPC500TB			
	530	5	5050	539,6	70	125	264	474	68,5	127	68,5	245	106,0	PHP 10SPC530TB			
	560	5	5050	569,6	70	125	264	504	68,5	127	68,5	245	94,7	PHP 10SPC560TB			
	630	5	5050	639,6	70	125	264	574	68,5	127	68,5	245	113,2	PHP 10SPC630TB			
10	710	5	5050	719,6	70	125	264	654	68,5	127	68,5	245	133,5	PHP 10SPC710TB			
	800	5	5050	809,6	70	125	264	737	68,5	127	68,5	245	160,5	PHP 10SPC800TB			
	1 000	5	5050	1 009,6	70	125	264	937	68,5	127	68,5	245	227,5	PHP 10SPC1000TB			
	1 250	5	5050	1 259,6	70	125	264	1 187	68,5	127	68,5	245	300,0	PHP 10SPC1250TB			

* Mass does not include bushings.
Non-functional dimensions may vary slightly.

Classical V-belt pulleys

A/B taper bushed



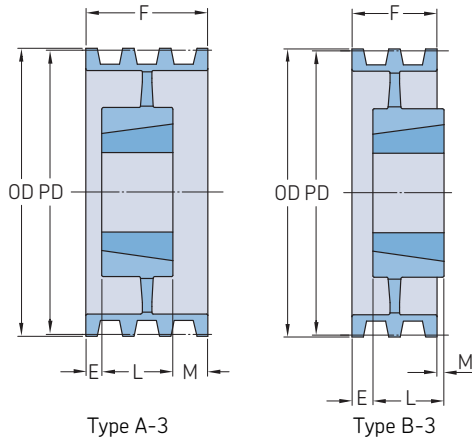
Section	Number of grooves	Pitch diameter		Pulley type	Bushing number	Dimensions				Mass ²⁾	Designation			
		Belt A PD	Belt B PD			Outer diameter OD	B Min.	Max.	F			E	L	M
		in.				in.							lbs.	
A/B	1	3,0	3,4	A-1	1210	3,8	5/8	1 1/4	1	-	1	-	2,2	PHP 1-B34TB
		3,2	3,6	A-1	1210	4,0	5/8	1 1/4	1	-	1	-	2,6	PHP 1-B36TB
		3,4	3,8	A-1	1610	4,2	1/2	1 5/8	1	-	1	-	2,8	PHP 1-B38TB
		3,6	4,0	A-1	1610	4,4	1/2	1 5/8	1	-	1	-	3,0	PHP 1-B40TB
		3,8	4,2	A-1	1610	4,6	1/2	1 5/8	1	-	1	-	3,5	PHP 1-B42TB
		4,0	4,4	A-1	1610	4,8	1/2	1 5/8	1	-	1	-	3,8	PHP 1-B44TB
		4,2	4,6	A-1	1610	5,0	1/2	1 5/8	1	-	1	-	4,0	PHP 1-B46TB
		4,4	4,8	A-1	1610	5,2	1/2	1 5/8	1	-	1	-	4,5	PHP 1-B48TB
		4,6	5,0	A-1	1610	5,4	1/2	1 5/8	1	-	1	-	4,8	PHP 1-B50TB
		4,8	5,2	A-1	1610	5,6	1/2	1 5/8	1	-	1	-	5,0	PHP 1-B52TB
		5,0	5,4	A-1	1610	5,8	1/2	1 5/8	1	-	1	-	5,5	PHP 1-B54TB
		5,2	5,6	A-1	1610	6,0	1/2	1 5/8	1	-	1	-	6,0	PHP 1-B56TB
		5,4	5,8	A-1	1610	6,2	1/2	1 5/8	1	-	1	-	6,3	PHP 1-B58TB
		5,6	6,0	A-1	1610	6,4	1/2	1 5/8	1	-	1	-	6,7	PHP 1-B60TB
		5,8	6,2	A-1	1610	6,6	1/2	1 5/8	1	-	1	-	7,0	PHP 1-B62TB
		6,0	6,4	A-1	1610	6,8	1/2	1 5/8	1	-	1	-	8,0	PHP 1-B64TB
		6,2	6,6	A-1	1610	7,0	1/2	1 5/8	1	-	1	-	8,5	PHP 1-B66TB
		6,4	6,8	A-1	1610	7,2	1/2	1 5/8	1	-	1	-	9,0	PHP 1-B68TB
		7,0	7,4	B-1	2517 ¹⁾	7,8	3/4	2 1/2	1	-	1 3/4	3/4	9,4	PHP 1-B74TB
		8,2	8,6	B-2	2517 ¹⁾	9,0	3/4	2 1/2	1	-	1 3/4	3/4	12,0	PHP 1-B86TB
9,0	9,4	B-2	2517 ¹⁾	9,8	3/4	2 1/2	1	-	1 3/4	3/4	14,0	PHP 1-B94TB		
10,6	11,0	B-2	2517 ¹⁾	11,4	3/4	2 1/2	1	-	1 3/4	3/4	18,0	PHP 1-B110TB		
12,0	12,4	C-3	2517 ¹⁾	12,8	3/4	2 1/2	1	1/4	1 3/4	1/2	18,5	PHP 1-B124TB		
15,0	15,4	C-3	2517 ¹⁾	15,8	3/4	2 1/2	1	1/4	1 3/4	1/2	19,0	PHP 1-B154TB		
18,0	18,4	C-3	2517 ¹⁾	18,8	3/4	2 1/2	1 1/8	3/16	1 3/4	7/16	24,0	PHP 1-B184TB		
A/B	2	3,0	3,4	A-1	1210	3,8	5/8	1 1/4	1 3/4	3/4	1	-	2,2	PHP 2-B34TB
		3,2	3,6	A-1	1210	4,0	5/8	1 1/4	1 3/4	3/4	1	-	2,6	PHP 2-B36TB
		3,4	3,8	A-1	1610	4,2	1/2	1 5/8	1 3/4	3/4	1	-	2,8	PHP 2-B38TB
		3,6	4,0	A-1	1610	4,4	1/2	1 5/8	1 3/4	3/4	1	-	3,0	PHP 2-B40TB
		3,8	4,2	A-1	1610	4,6	1/2	1 5/8	1 3/4	3/4	1	-	4,0	PHP 2-B42TB
		4,0	4,4	A-1	1610	4,8	1/2	1 5/8	1 3/4	3/4	1	-	4,5	PHP 2-B44TB
		4,2	4,6	A-1	1610	5,0	1/2	1 5/8	1 3/4	3/4	1	-	5,0	PHP 2-B46TB
		4,4	4,8	A-1	1610	5,2	1/2	1 5/8	1 3/4	3/4	1	-	5,5	PHP 2-B48TB
		4,6	5,0	A-1	1610	5,4	1/2	1 5/8	1 3/4	3/4	1	-	6,0	PHP 2-B50TB
		4,8	5,2	A-1	1610	5,6	1/2	1 5/8	1 3/4	3/4	1	-	6,5	PHP 2-B52TB
		5,0	5,4	A-1	1610	5,8	1/2	1 5/8	1 3/4	3/4	1	-	7,0	PHP 2-B54TB
		5,2	5,6	A-1	1610	6,0	1/2	1 5/8	1 3/4	3/4	1	-	8,2	PHP 2-B56TB
		5,4	5,8	A-1	1610	6,2	1/2	1 5/8	1 3/4	3/4	1	-	8,6	PHP 2-B58TB
		5,6	6,0	A-1	1610	6,4	1/2	1 5/8	1 3/4	3/4	1	-	8,8	PHP 2-B60TB
		5,8	6,2	A-1	1610	6,6	1/2	1 5/8	1 3/4	3/4	1	-	9,0	PHP 2-B62TB
		6,0	6,4	A-1	1610	6,8	1/2	1 5/8	1 3/4	3/4	1	-	10,0	PHP 2-B64TB
		6,2	6,6	A-1	1610	7,0	1/2	1 5/8	1 3/4	3/4	1	-	10,5	PHP 2-B66TB
		6,4	6,8	A-1	1610	7,2	1/2	1 5/8	1 3/4	3/4	1	-	11,0	PHP 2-B68TB
		7,0	7,4	A-1	2517 ¹⁾	7,8	3/4	2 1/2	1 3/4	-	1 3/4	-	16,0	PHP 2-B74TB
		8,2	8,6	A-2	2517 ¹⁾	9,0	3/4	2 1/2	1 3/4	-	1 3/4	-	18,0	PHP 2-B86TB
9,0	9,4	A-2	2517 ¹⁾	9,8	3/4	2 1/2	1 3/4	-	1 3/4	-	20,0	PHP 2-B94TB		
10,6	11,0	A-2	2517 ¹⁾	11,4	3/4	2 1/2	1 3/4	-	1 3/4	-	25,0	PHP 2-B110TB		
12,0	12,4	A-3	2517 ¹⁾	12,8	3/4	2 1/2	1 3/4	-	1 3/4	-	27,0	PHP 2-B124TB		
15,0	15,4	A-3	2517 ¹⁾	15,8	3/4	2 1/2	1 3/4	-	1 3/4	-	31,0	PHP 2-B154TB		
18,0	18,4	A-3	2517 ¹⁾	18,8	3/4	2 1/2	1 3/4	-	1 3/4	-	33,0	PHP 2-B184TB		
19,6	20,0	C-3	3020	20,4	1 1/4	3	1 3/4	-	2	1/4	49,0	PHP 2-B200TB		
24,6	25,0	C-3	3020	25,4	1 1/4	3	1 3/4	-	2	1/4	65,0	PHP 2-B250TB		
29,6	30,0	C-3	3020	30,4	1 1/4	3	1 3/4	-	2	1/4	75,0	PHP 2-B300TB		
37,6	38,0	C-3	3020	38,4	1 1/4	3	1 3/4	-	2	1/4	112,0	PHP 2-B380TB		

¹⁾ Taper bushing needs to conform to coarse thread series (UNC) of the ASME/ANSI standard. To complete designation, add U before bushing number and bore size at the end of designation, e.g. PHF TBU3535X70MM.

²⁾ Mass does not include bushings.

Classical V-belt pulleys

A/B taper bushed



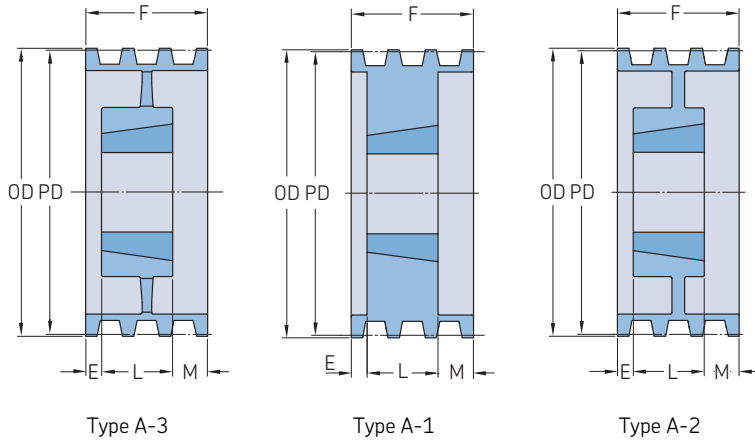
Section	Number of grooves	Pitch diameter		Pulley type	Bushing number	Dimensions						Mass ²⁾	Designation		
		Belt A PD	Belt B PD			Outer diameter OD									
		in.		in.		B Min.	Max.	F	E	L	M	lbs.			
A/B	3	3,0	3,4	A-1	1210	3,8	5/8	1 1/4	2 1/2	1 1/2	1	–	3,0	PHP 3-B34TB	
		3,2	3,6	A-1	1210	4,0	5/8	1 1/4	2 1/2	1 1/2	1	–	3,5	PHP 3-B36TB	
		3,4	3,8	A-1	1610	4,2	1/2	1 5/8	2 1/2	1 1/2	1	–	4,0	PHP 3-B38TB	
		3,6	4,0	A-1	1610	4,4	1/2	1 5/8	2 1/2	1 1/2	1	–	5,0	PHP 3-B40TB	
		3,8	4,2	A-1	1610	4,6	1/2	1 5/8	2 1/2	1 1/2	1	–	6,0	PHP 3-B42TB	
		4,0	4,4	A-1	1610	4,8	1/2	1 5/8	2 1/2	1 1/2	1	–	6,5	PHP 3-B44TB	
		4,2	4,6	A-1	1610	5,0	1/2	1 5/8	2 1/2	1 1/2	1	–	7,0	PHP 3-B46TB	
		4,4	4,8	A-1	1610	5,2	1/2	1 5/8	2 1/2	1 1/2	1	–	8,0	PHP 3-B48TB	
		4,6	5,0	A-1	1610	5,4	1/2	1 5/8	2 1/2	1 1/2	1	–	8,5	PHP 3-B50TB	
		4,8	5,2	A-1	1610	5,6	1/2	1 5/8	2 1/2	1 1/2	1	–	9,0	PHP 3-B52TB	
		5,0	5,4	A-1	2517 ¹⁾	5,8	3/4	2 1/2	2 1/2	1 1/2	1 3/4	–	9,5	PHP 3-B54TB	
		5,2	5,6	A-1	2517 ¹⁾	6,0	3/4	2 1/2	2 1/2	1 1/2	1 3/4	–	10,0	PHP 3-B56TB	
		5,4	5,8	A-1	2517 ¹⁾	6,2	3/4	2 1/2	2 1/2	3/4	1 3/4	–	10,5	PHP 3-B58TB	
		5,6	6,0	A-1	2517 ¹⁾	6,4	3/4	2 1/2	2 1/2	3/4	1 3/4	–	11,0	PHP 3-B60TB	
		5,8	6,2	A-1	2517 ¹⁾	6,6	3/4	2 1/2	2 1/2	3/4	1 3/4	–	11,5	PHP 3-B62TB	
		6,0	6,4	A-1	2517 ¹⁾	6,8	3/4	2 1/2	2 1/2	3/4	1 3/4	–	12,0	PHP 3-B64TB	
		6,2	6,6	A-1	2517 ¹⁾	7,0	3/4	2 1/2	2 1/2	3/4	1 3/4	–	12,3	PHP 3-B66TB	
		6,4	6,8	A-1	2517 ¹⁾	7,2	3/4	2 1/2	2 1/2	3/4	1 3/4	–	12,8	PHP 3-B68TB	
		7,0	7,4	A-1	2517 ¹⁾	7,8	3/4	2 1/2	2 1/2	3/4	1 3/4	–	16,0	PHP 3-B74TB	
		8,2	8,6	A-2	2517 ¹⁾	9,0	3/4	2 1/2	2 1/2	3/4	1 3/4	–	19,0	PHP 3-B86TB	
		9,0	9,4	A-2	2517 ¹⁾	9,8	3/4	2 1/2	2 1/2	3/4	1 3/4	–	21,0	PHP 3-B94TB	
		10,6	11,0	A-2	2517 ¹⁾	11,4	3/4	2 1/2	2 1/2	3/4	1 3/4	–	24,0	PHP 3-B110TB	
		12,0	12,4	A-3	2517 ¹⁾	12,8	3/4	2 1/2	2 1/2	–	1 3/4	3/4	–	28,0	PHP 3-B124TB
		15,0	15,4	A-3	2517 ¹⁾	15,8	3/4	2 1/2	2 1/2	–	1 3/4	3/4	–	30,0	PHP 3-B154TB
		18,0	18,4	A-3	2517 ¹⁾	18,8	3/4	2 1/2	2 1/2	–	1 3/4	3/4	–	44,0	PHP 3-B184TB
		19,6	20,0	A-3	3020	20,4	1 1/4	3	2 1/2	–	2	1/2	–	58,0	PHP 3-B200TB
		24,6	25,0	A-3	3020	25,4	1 1/4	3	2 1/2	–	2	1/2	–	74,0	PHP 3-B250TB
		29,6	30,0	A-3	3020	30,4	1 1/4	3	2 1/2	–	2	1/2	–	84,0	PHP 3-B300TB
		37,6	38,0	B-3	3020	38,4	1 1/4	3	2 1/2	–	3	1/2	–	135,0	PHP 3-B380TB
		A/B	4	3,0	3,4	A-1	1210	3,8	5/8	1 1/4	3 1/4	2 1/4	1	–	3,0
3,2	3,6			A-1	1210	4,0	5/8	1 1/4	3 1/4	2 1/4	1	–	3,5	PHP 4-B36TB	
3,4	3,8			A-1	1610	4,2	1/2	1 5/8	3 1/4	2 1/4	1	–	4,0	PHP 4-B38TB	
3,6	4,0			A-1	1610	4,4	1/2	1 5/8	3 1/4	2 1/4	1	–	5,0	PHP 4-B40TB	
3,8	4,2			A-1	1610	4,6	1/2	1 5/8	3 1/4	2 1/4	1	–	5,5	PHP 4-B42TB	
4,0	4,4			A-1	1610	4,8	1/2	1 5/8	3 1/4	2 1/4	1	–	6,0	PHP 4-B44TB	
4,2	4,6			A-1	1610	5,0	1/2	1 5/8	3 1/4	2 1/4	1	–	7,0	PHP 4-B46TB	
4,4	4,8			A-1	1610	5,2	1/2	1 5/8	3 1/4	2 1/4	1	–	8,0	PHP 4-B48TB	
4,6	5,0			A-1	2517 ¹⁾	5,4	3/4	2 1/2	3 1/4	1 1/2	1 3/4	–	8,5	PHP 4-B50TB	
4,8	5,2			A-1	2517 ¹⁾	5,6	3/4	2 1/2	3 1/4	1 1/2	1 3/4	–	9,0	PHP 4-B52TB	
5,0	5,4			A-1	2517 ¹⁾	5,8	3/4	2 1/2	3 1/4	1 1/2	1 3/4	–	9,5	PHP 4-B54TB	
5,2	5,6			A-1	2517 ¹⁾	6,0	3/4	2 1/2	3 1/4	1 1/2	1 3/4	–	10,0	PHP 4-B56TB	
5,4	5,8			A-1	2517 ¹⁾	6,2	3/4	2 1/2	3 1/4	1 1/2	1 3/4	–	12,0	PHP 4-B58TB	
5,6	6,0			A-1	2517 ¹⁾	6,4	3/4	2 1/2	3 1/4	1 1/2	1 3/4	–	12,5	PHP 4-B60TB	
5,8	6,2			A-1	2517 ¹⁾	6,6	3/4	2 1/2	3 1/4	1 1/2	1 3/4	–	13,0	PHP 4-B62TB	
6,0	6,4			A-1	2517 ¹⁾	6,8	3/4	2 1/2	3 1/4	1 1/2	1 3/4	–	14,0	PHP 4-B64TB	
6,2	6,6			A-1	2517 ¹⁾	7,0	3/4	2 1/2	3 1/4	1 1/2	1 3/4	–	15,0	PHP 4-B66TB	
6,4	6,8			A-1	2517 ¹⁾	7,2	3/4	2 1/2	3 1/4	1 1/2	1 3/4	–	16,0	PHP 4-B68TB	
7,0	7,4			A-1	2517 ¹⁾	7,8	3/4	2 1/2	3 1/4	1 1/2	1 3/4	–	20,0	PHP 4-B74TB	
8,2	8,6			A-2	2517 ¹⁾	9,0	3/4	2 1/2	3 1/4	1 1/2	1 3/4	–	21,0	PHP 4-B86TB	
9,0	9,4			A-2	2517 ¹⁾	9,8	3/4	2 1/2	3 1/4	1 1/2	1 3/4	–	23,0	PHP 4-B94TB	
10,6	11,0			A-2	2517 ¹⁾	11,4	3/4	2 1/2	3 1/4	1 1/2	1 3/4	–	28,0	PHP 4-B110TB	
12,0	12,4			A-3	2517 ¹⁾	12,8	3/4	2 1/2	3 1/4	3/8	1 3/4	1 1/8	–	34,0	PHP 4-B124TB
15,0	15,4			A-3	2517 ¹⁾	15,8	3/4	2 1/2	3 1/4	3/8	1 3/4	1 1/8	–	42,0	PHP 4-B154TB
18,0	18,4			A-3	2517 ¹⁾	18,8	3/4	2 1/2	3 1/4	1/2	1 3/4	1	–	53,0	PHP 4-B184TB

¹⁾ Taper bushing needs to conform to coarse thread series (UNC) of the ASME/ANSI standard. To complete designation, add U before bushing number and bore size at the end of designation, e.g. PHF TBU3535X70MM.

²⁾ Mass does not include bushings.

Classical V-belt pulleys

A/B taper bushed



Section	Number of grooves	Pitch diameter		Pulley type	Bushing number	Dimensions		B Min.	Max.	F	E	L	M	Mass ²⁾	Designation	
		Belt A PD	Belt B PD			Outer diameter OD										
		in.				in.									lbs.	
A/B	4	19,6	20,0	A-3	3020	20,4	1 1/4	3	3 3/4	1/2	2	3/4	63,0	PHP 4-B200TB		
		24,6	25,0	A-3	3030	25,4	1 1/4	3	3 3/4	-	3	1 1/4	80,0	PHP 4-B250TB		
		29,6	30,0	A-3	3030	30,4	1 1/4	3	3 3/4	-	3	1 1/4	100,0	PHP 4-B300TB		
		37,6	38,0	A-3	3030	38,4	1 1/4	3	3 3/4	-	3	1 1/4	142,0	PHP 4-B380TB		
A/B	5	3,0	3,4	A-1	1210	3,8	5/8	1 1/4	4	2 1/2	1 1/2	-	5,0	PHP 5-B34TB		
		3,2	3,6	A-1	1210	4,0	5/8	1 1/4	4	2 1/2	1 1/2	-	5,5	PHP 5-B36TB		
		3,4	3,8	A-1	1215	4,2	5/8	1 5/8	4	2 1/2	1 1/2	-	6,0	PHP 5-B38TB		
		3,6	4,0	A-1	1215	4,4	5/8	1 5/8	4	2 1/2	1 1/2	-	6,5	PHP 5-B40TB		
		3,8	4,2	A-1	1615	4,6	1/2	1 5/8	4	2 1/2	1 1/2	-	7,0	PHP 5-B42TB		
		4,0	4,4	A-1	1615	4,8	1/2	1 5/8	4	2 1/2	1 1/2	-	8,0	PHP 5-B44TB		
		4,2	4,6	A-1	1615	5,0	1/2	1 5/8	4	2 1/2	1 1/2	-	9,0	PHP 5-B46TB		
		4,6	5,0	A-1	1615	5,4	1/2	1 5/8	4	7/8	1 1/2	-	10,5	PHP 5-B50TB		
		4,8	5,2	A-1	1615	5,6	1/2	1 5/8	4	7/8	1 1/2	-	11,3	PHP 5-B52TB		
		5,0	5,4	A-1	2517 ¹⁾	5,8	3/4	2 1/2	4	2 1/4	1 3/4	-	11,5	PHP 5-B54TB		
		5,2	5,6	A-1	2517 ¹⁾	6,0	3/4	2 1/2	4	2 1/4	1 3/4	-	12,0	PHP 5-B56TB		
		5,6	6,0	A-1	2517 ¹⁾	6,4	3/4	2 1/2	4	2 1/4	1 3/4	-	14,0	PHP 5-B60TB		
		6,0	6,4	A-1	2517 ¹⁾	6,8	3/4	2 1/2	4	2 1/4	1 3/4	-	16,0	PHP 5-B64TB		
		6,4	6,8	A-1	2517 ¹⁾	7,2	3/4	2 1/2	4	2 1/4	1 3/4	-	18,0	PHP 5-B68TB		
		7,0	7,4	A-1	2517 ¹⁾	7,8	3/4	2 1/2	4	2 1/4	1 3/4	-	22,0	PHP 5-B74TB		
		8,2	8,6	A-2	2517 ¹⁾	9,0	3/4	2 1/2	4	2 1/4	1 3/4	-	24,0	PHP 5-B86TB		
		9,0	9,4	A-2	2517 ¹⁾	9,8	3/4	2 1/2	4	2 1/4	1 3/4	-	26,0	PHP 5-B94TB		
		10,6	11,0	A-2	2517 ¹⁾	11,4	3/4	2 1/2	4	2 1/4	1 3/4	-	35,0	PHP 5-B110TB		
		12,0	12,4	A-3	2517 ¹⁾	12,8	3/4	2 1/2	4	3/4	1 3/4	1 1/2	40,0	PHP 5-B124TB		
		15,0	15,4	A-3	2517 ¹⁾	15,8	3/4	2 1/2	4	3/4	1 3/4	1 1/2	47,0	PHP 5-B154TB		
18,0	18,4	A-3	2517 ¹⁾	18,8	3/4	2 1/2	4	3/4	1 3/4	1 1/2	52,0	PHP 5-B184TB				
19,6	20,0	A-3	3030	20,4	1 1/4	3	4	3/4	3	3/4	75,0	PHP 5-B200TB				
24,6	25,0	A-3	3030	25,4	1 1/4	3	4	1/4	3	3/4	81,0	PHP 5-B250TB				
29,6	30,0	A-3	3030	30,4	1 1/4	3	4	1/4	3	3/4	109,0	PHP 5-B300TB				
37,6	38,0	A-3	3030	38,4	1 1/4	3	4	1/4	3	3/4	158,0	PHP 5-B380TB				
A/B	6	3,8	4,2	A-1	1615	4,6	1/2	1 5/8	4 3/4	3 1/4	1 1/2	-	8,0	PHP 6-B42TB		
		4,0	4,4	A-1	1615	4,8	1/2	1 5/8	4 3/4	3 1/4	1 1/2	-	9,0	PHP 6-B44TB		
		4,2	4,6	A-1	1615	5,0	1/2	1 5/8	4 3/4	3 1/4	1 1/2	-	10,0	PHP 6-B46TB		
		4,6	5,0	A-1	1615	5,4	1/2	1 5/8	4 3/4	1 1/4	1 1/2	2	11,9	PHP 6-B50TB		
		4,8	5,2	A-1	1615	5,6	1/2	1 5/8	4 3/4	1 1/4	1 1/2	2	12,8	PHP 6-B52TB		
		5,0	5,4	A-1	1615	5,8	1/2	1 5/8	4 3/4	1 1/4	1 1/2	2	13,7	PHP 6-B54TB		
		5,2	5,6	A-1	1615	6,0	1/2	1 5/8	4 3/4	1 1/4	1 1/2	2	14,6	PHP 6-B56TB		
		5,6	6,0	A-1	2517 ¹⁾	6,4	3/4	2 1/2	4 3/4	3	1 3/4	-	16,0	PHP 6-B60TB		
		6,0	6,4	A-1	2517 ¹⁾	6,8	3/4	2 1/2	4 3/4	3	1 3/4	-	19,5	PHP 6-B64TB		
		6,4	6,8	A-1	2517 ¹⁾	7,2	3/4	2 1/2	4 3/4	3	1 3/4	-	21,0	PHP 6-B68TB		
		7,0	7,4	A-1	2517 ¹⁾	7,8	3/4	2 1/2	4 3/4	3	1 3/4	-	25,0	PHP 6-B74TB		
		8,2	8,6	A-2	2517 ¹⁾	9,0	3/4	2 1/2	4 3/4	3	1 3/4	-	27,0	PHP 6-B86TB		
		9,0	9,4	A-2	2517 ¹⁾	9,8	3/4	2 1/2	4 3/4	3	1 3/4	-	28,0	PHP 6-B94TB		
		10,6	11,0	A-2	2517 ¹⁾	11,4	3/4	2 1/2	4 3/4	3	1 3/4	-	34,0	PHP 6-B110TB		
		12,0	12,4	A-3	2517 ¹⁾	12,8	3/4	2 1/2	4 3/4	1 1/8	1 3/4	1 7/8	43,0	PHP 6-B124TB		
		15,0	15,4	A-3	2517 ¹⁾	15,8	3/4	2 1/2	4 3/4	1 1/2	1 3/4	1 1/2	52,0	PHP 6-B154TB		
18,0	18,4	A-3	2517 ¹⁾	18,8	3/4	2 1/2	4 3/4	1 1/2	1 3/4	1 1/2	62,0	PHP 6-B184TB				
19,6	20,0	A-3	3030	20,4	1 1/4	3	4 3/4	1/2	3	1 1/4	85,0	PHP 6-B200TB				
24,6	25,0	A-3	3030	25,4	1 1/4	3	4 3/4	1/2	3	1 1/4	100,0	PHP 6-B250TB				
29,6	30,0	A-3	3030	30,4	1 1/4	3	4 3/4	1/2	3	1 1/4	137,0	PHP 6-B300TB				
37,6	38,0	A-3	3030	38,4	1 1/4	3	4 3/4	1/2	3	1 1/4	168,0	PHP 6-B380TB				
A/B	8	5,0	5,4	A-1	2517 ¹⁾	5,8	3/4	2 1/2	6 1/4	1 7/8	1 3/4	2 5/8	16,0	PHP 8-B54TB		
		5,2	5,6	A-1	2517 ¹⁾	6,0	3/4	2 1/2	6 1/4	1 7/8	1 3/4	2 5/8	17,0	PHP 8-B56TB		
		5,6	6,0	A-1	2517 ¹⁾	6,4	3/4	2 1/2	6 1/4	1 7/8	1 3/4	2 5/8	19,0	PHP 8-B60TB		

¹⁾ Taper bushing needs to conform to coarse thread series (UNC) of the ASME/ANSI standard. To complete designation, add U before bushing number and bore size at the end of designation, e.g. PHF TBU3535X70MM.

²⁾ Mass does not include bushings.

Classical V-belt pulleys

A/B taper bushed

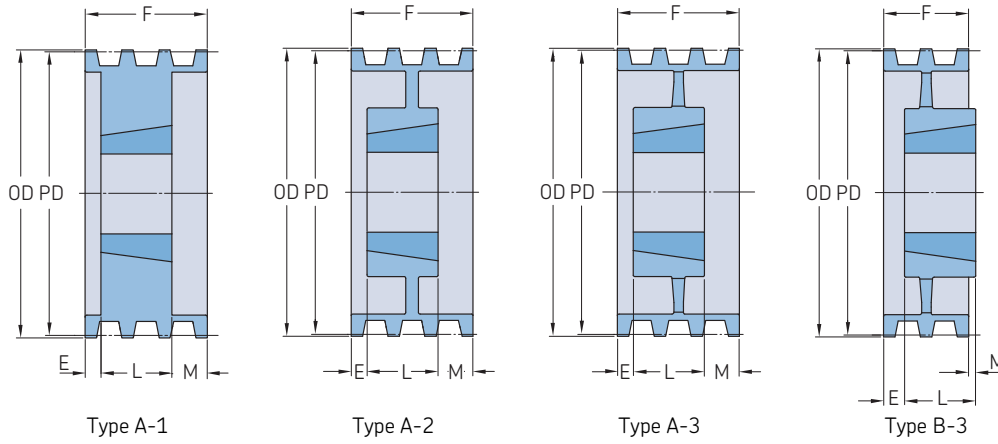
Section	Number of grooves	Pitch diameter		Pulley type	Bushing number	Dimensions						Mass ²⁾	Designation			
		Belt A	Belt B			Outer diameter OD	B Min.	Max.	F	E	L			M		
-	-	in.	-	-	-	in.	-	-	-	-	-	-	lbs.	-		
A/B	8	6,0	6,4	A-1	2517 ¹⁾	6,8	3/4	2 1/2	6 1/4	1 7/8	1 3/4	2 5/8	21,0	PHP 8-B64TB		
		6,4	6,8	A-1	2517 ¹⁾	7,2	3/4	2 1/2	6 1/4	1 7/8	1 3/4	2 5/8	25,0	PHP 8-B68TB		
		7,0	7,4	A-1	2517 ¹⁾	7,8	3/4	2 1/2	6 1/4	1 7/8	1 3/4	2 5/8	29,0	PHP 8-B74TB		
		8,2	8,6	A-1	3030	9,0	1 1/4	3	6 1/4	1	3	2 1/4	37,0	PHP 8-B86TB		
		9,0	9,4	A-2	3030	10,0	1 1/4	3	6 1/4	1	3	2 1/4	41,0	PHP 8-B94TB		
		10,6	11,0	A-2	3030	11,4	1 1/4	3	6 1/4	1	3	2 1/4	51,0	PHP 8-B110TB		
		12,0	12,4	A-3	3030	12,8	1 1/4	3	6 1/4	1	3	2 1/4	56,0	PHP 8-B124TB		
		15,0	15,4	A-3	3030	15,8	1 1/4	3	6 1/4	1	3	2 1/4	69,0	PHP 8-B154TB		
		18,0	18,4	A-3	3030	18,8	1 1/4	3	6 1/4	1	3	2 1/4	99,0	PHP 8-B184TB		
		19,6	20,0	A-3	3030	20,4	1 1/4	3	6 1/4	1	3	2 1/4	115,0	PHP 8-B200TB		
		24,6	25,0	A-3	3535 ¹⁾	25,4	2	3 1/2	6 1/4	3/4	3 1/2	2	14,5,0	PHP 8-B250TB		
		29,6	30,0	A-3	3535 ¹⁾	30,4	2	3 1/2	6 1/4	3/4	3 1/2	2	170,0	PHP 8-B300TB		
		37,6	38,0	A-3	4040	38,4	1 3/4	4	6 1/4	1 1/8	4	1 1/8	260,0	PHP 8-B380TB		
		A/B	10	5,0	5,4	A-1	2517 ¹⁾	5,8	3/4	2 1/2	7 3/4	3	1 3/4	3	18,0	PHP 10-B54TB
				5,2	5,6	A-1	2517 ¹⁾	6,0	3/4	2 1/2	7 3/4	3	1 3/4	3	20,0	PHP 10-B56TB
				5,6	6,0	A-1	2517 ¹⁾	6,4	3/4	2 1/2	7 3/4	3	1 3/4	3	22,0	PHP 10-B60TB
6,0	6,4			A-1	2517 ¹⁾	6,8	3/4	2 1/2	7 3/4	3	1 3/4	3	25,5	PHP 10-B64TB		
6,4	6,8			A-1	2517 ¹⁾	7,2	3/4	2 1/2	7 3/4	3	1 3/4	3	28,0	PHP 10-B68TB		
7,0	7,4			A-1	2517 ¹⁾	7,8	3/4	2 1/2	7 3/4	3	1 3/4	3	35,0	PHP 10-B74TB		
8,2	8,6			A-1	3030	9,0	1 1/4	3	7 3/4	2	3	2 3/4	43,0	PHP 10-B86TB		
9,0	9,4			A-2	3030	10,0	1 1/4	3	7 3/4	2	3	2 3/4	46,0	PHP 10-B94TB		
10,6	11,0			A-2	3030	11,4	1 1/4	3	7 3/4	2	3	2 3/4	52,0	PHP 10-B110TB		

¹⁾ Taper bushing needs to conform to coarse thread series (UNC) of the ASME/ANSI standard. To complete designation, add U before bushing number and bore size at the end of designation, e.g. PHF TBU3535X70MM.

²⁾ Mass does not include bushings.

Classical V-belt pulleys

C taper bushed



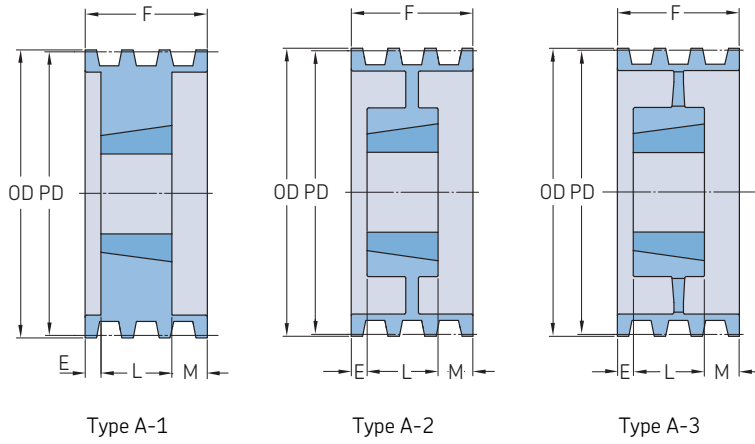
Section	Number of grooves	Pitch diameter PD	Pulley type	Bushing number	Dimensions		B Min.	Max.	F	E	L	M	Mass ²⁾ lbs.	Designation
					Outer diameter OD									
Type A-1														
Type A-2														
Type A-3														
Type B-3														
C	2	7,0 7,5 8,0 8,5 9,0 9,5 10,0 10,5 11,0 12,0 13,0 14,0 16,0 18,0 20,0 24,0	A-1 A-1 A-1 A-2 A-2 A-2 A-2 A-2 A-2 A-2 A-3 A-3 A-3 A-3 A-3 A-3	2517 ¹⁾ 2517 ¹⁾ 2517 ¹⁾ 2517 ¹⁾ 2517 ¹⁾ 2517 ¹⁾ 2517 ¹⁾ 2517 ¹⁾ 2517 ¹⁾ 2517 ¹⁾ 3020 3020 3020 3020 3020	7,4 7,9 8,4 8,9 9,4 9,9 10,4 10,9 11,4 12,4 13,4 14,4 16,4 18,4 20,4 24,4	3/4 3/4 3/4 3/4 3/4 3/4 3/4 3/4 3/4 3/4 1 1/4 1 1/4 1 1/4 1 1/4 1 1/4 1 1/4	2 1/2 2 1/2 2 1/2 2 1/2 2 1/2 2 1/2 2 1/2 2 1/2 2 1/2 2 1/2 3 3 3 3 3	2 3/8 2 3/8 2 3/8 2 3/8 2 3/8 2 3/8 2 3/8 2 3/8 2 3/8 2 3/8 3 3 3 3 3	5/8 5/8 5/8 5/8 5/8 5/8 5/8 5/8 5/8 5/8 - - - - -	1 3/4 1 3/4 1 3/4 1 3/4 1 3/4 1 3/4 1 3/4 1 3/4 1 3/4 1 3/4 2 2 2 2 2	- - - - - - - - - - 3/8 3/8 3/8 3/8 3/8 3/8 3/8 3/8 3/8 3/8	15,0 17,0 20,0 22,0 23,0 24,0 25,0 26,0 27,0 33,0 35,0 36,0 42,0 42,0 45,0 72,0	PHP 2-C70TB PHP 2-C75TB PHP 2-C80TB PHP 2-C85TB PHP 2-C90TB PHP 2-C95TB PHP 2-C100TB PHP 2-C105TB PHP 2-C110TB PHP 2-C120TB PHP 2-C130TB PHP 2-C140TB PHP 2-C160TB PHP 2-C180TB PHP 2-C200TB PHP 2-C240TB	
C	3	7,0 7,5 8,0 8,5 9,0 9,5 10,0 10,5 11,0 12,0 13,0 14,0 16,0 18,0 20,0 24,0 30,0 36,0	A-1 A-1 A-1 A-2 A-2 A-2 A-2 A-2 A-2 A-2 A-3 A-3 A-3 A-3 A-3 A-3 B-3 B-3	2517 ¹⁾ 2517 ¹⁾ 2517 ¹⁾ 2517 ¹⁾ 2517 ¹⁾ 2517 ¹⁾ 2517 ¹⁾ 2517 ¹⁾ 2517 ¹⁾ 2517 ¹⁾ 3020 3020 3020 3030 3030 3030 3535 ¹⁾ 3535 ¹⁾	7,4 7,9 8,4 8,9 9,4 9,9 10,4 10,9 11,4 12,4 13,4 14,4 16,4 18,4 20,4 24,4 30,4 36,4	3/4 3/4 3/4 3/4 3/4 3/4 3/4 3/4 3/4 3/4 1 1/4 1 1/4 1 1/4 1 1/4 1 1/4 1 1/4 2 2	2 1/2 2 1/2 2 1/2 2 1/2 2 1/2 2 1/2 2 1/2 2 1/2 2 1/2 2 1/2 3 3 1/2 3 1/2	3 3/8 3 3/8 3 3/8 3 3/8 3 3/8 3 3/8 3 3/8 3 3/8 3 3/8 3 3/8 3 3/8 3 3/8 3 3/8 3 3/8 3 3/8 3 3/8 3 3/8 3 3/8	1/4 1/4 1/4 1/4 1/4 1/4 1/4 1/4 1/4 1/4 - - - - - - - -	1 3/4 1 3/4 1 3/4 1 3/4 1 3/4 1 3/4 1 3/4 1 3/4 1 3/4 1 3/4 2 2 2 3 3 3 1/2 3 1/2 3 1/2	1 3/8 1 3/8 1 3/8 1 3/8 1 3/8 1 3/8 1 3/8 1 3/8 1 3/8 1 3/8 1 3/8 1 3/8 1 3/8 1 3/8 1 3/8 3/8 1/8 1/8	18,0 20,0 22,0 23,0 24,0 27,0 29,0 32,0 35,0 44,0 49,0 50,0 64,0 64,0 78,0 96,0 125,0 175,0	PHP 3-C70TB PHP 3-C75TB PHP 3-C80TB PHP 3-C85TB PHP 3-C90TB PHP 3-C95TB PHP 3-C100TB PHP 3-C105TB PHP 3-C110TB PHP 3-C120TB PHP 3-C130TB PHP 3-C140TB PHP 3-C160TB PHP 3-C180TB PHP 3-C200TB PHP 3-C240TB PHP 3-C300TB PHP 3-C360TB	
C	4	7,0 7,5 8,0 8,5 9,0 9,5 10,0 10,5 11,0 12,0 13,0 14,0 16,0 18,0 20,0 24,0 30,0 36,0 44,0	A-1 A-1 A-1 A-2 A-2 A-2 A-2 A-2 A-2 A-2 A-3 A-3 A-3 A-3 A-3 A-3 A-3 A-3 A-3 A-3	2517 ¹⁾ 2517 ¹⁾ 2517 ¹⁾ 2517 ¹⁾ 2517 ¹⁾ 2517 ¹⁾ 2517 ¹⁾ 2517 ¹⁾ 2517 ¹⁾ 2517 ¹⁾ 3030 3030 3030 3030 3030 3030 3535 ¹⁾ 3535 ¹⁾ 4040	7,4 7,9 8,4 8,9 9,4 9,9 10,4 10,9 11,4 12,4 13,4 14,4 16,4 18,4 20,4 24,4 30,4 36,4 44,4	3/4 3/4 3/4 3/4 3/4 3/4 3/4 3/4 3/4 3/4 1 1/4 1 1/4 1 1/4 1 1/4 1 1/4 1 1/4 2 2 1 3/4	2 1/2 2 1/2 2 1/2 2 1/2 2 1/2 2 1/2 2 1/2 2 1/2 2 1/2 2 1/2 3 3 1/2 3 1/2 4	4 3/8 4 3/8 4 3/8 4 3/8 4 3/8 4 3/8 4 3/8 4 3/8 4 3/8 4 3/8 4 3/8 4 3/8 4 3/8 4 3/8 4 3/8 4 3/8 4 3/8 4 3/8	1/2 1/2 1/2 1/2 1/2 1/2 1/2 1/2 1/2 1/2 - - - - - - - -	1 3/4 1 3/4 1 3/4 1 3/4 1 3/4 1 3/4 1 3/4 1 3/4 1 3/4 1 3/4 3 3 3 3 3 3 3 1/2 3 1/2 4	2 1/8 2 1/8 2 1/8 2 1/8 2 1/8 2 1/8 2 1/8 2 1/8 2 1/8 2 1/8 1 3/8 1 3/8 1 3/8 1 3/8 1 3/8 7/8 7/8 7/8 3/8	20,0 23,0 25,0 26,0 27,0 36,0 39,0 42,0 45,0 47,0 51,0 54,0 71,0 81,0 84,0 116,0 164,0 192,0 282,0	PHP 4-C70TB PHP 4-C75TB PHP 4-C80TB PHP 4-C85TB PHP 4-C90TB PHP 4-C95TB PHP 4-C100TB PHP 4-C105TB PHP 4-C110TB PHP 4-C120TB PHP 4-C130TB PHP 4-C140TB PHP 4-C160TB PHP 4-C180TB PHP 4-C200TB PHP 4-C240TB PHP 4-C300TB PHP 4-C360TB PHP 4-C440TB	

¹⁾ Taper bushing needs to conform to coarse thread series (UNC) of the ASME/ANSI standard. To complete designation, add U before bushing number and bore size at the end of designation, e.g. PHF TBU3535X70MM.

²⁾ Mass does not include bushings.

Classical V-belt pulleys

C taper bushed | D taper bushed



Section	Number of grooves	Pitch diameter PD	Pulley type	Bushing number	Dimensions		B Min.	Max.	F	E	L	M	Mass ²⁾ lbs.	Designation
					Outer diameter OD	in.								
Type A-1														
C	12	10,5 11,0 12,0 13,0 14,0	A-1 A-1 A-1 A-1 A-1	4040 4040 4040 4545 4545	10,9 11,4 12,4 13,4 14,4	1 3/4 1 3/4 1 3/4 2 1/4 2 1/4	4 4 4 4 1/2 4 1/2	12 3/8 12 3/8 12 3/8 12 3/8 12 3/8	3 1/2 3 1/2 3 1/2 3 3	4 4 4 4 1/2 4 1/2	4 7/8 4 7/8 4 7/8 4 7/8 4 7/8	95,0 104,0 126,0 156,0 184,0	PHP 12-C105TB PHP 12-C110TB PHP 12-C120TB PHP 12-C130TB PHP 12-C140TB	
Type A-2														
D	4	12,0 13,0 13,5 14,0 14,5 15,0 15,5 16,0 18,0 22,0 27,0	A-2 A-2 A-2 A-2 A-2 A-2 A-2 A-2 A-3 A-3 A-3	3535 ¹⁾ 3535 ¹⁾ 3535 ¹⁾ 3535 ¹⁾ 3535 ¹⁾ 3535 ¹⁾ 3535 ¹⁾ 3535 ¹⁾ 3535 ¹⁾ 4040 4040	12,6 13,6 14,1 14,6 15,1 15,6 16,1 16,6 18,6 22,6 27,6	2 2 2 2 2 2 2 2 2 1 3/4 1 3/4	3 1/2 3 1/2 3 1/2 3 1/2 3 1/2 3 1/2 3 1/2 3 1/2 3 1/2 4 4	6 1/16 6 1/16 6 1/16 6 1/16 6 1/16 6 1/16 6 1/16 6 1/16 6 1/16 6 1/16 6 1/16	3/4 3/4 3/4 3/4 3/4 3/4 3/4 3/4 3/4 3/4 3/4	3 1/2 3 1/2 3 1/2 3 1/2 3 1/2 3 1/2 3 1/2 3 1/2 3 1/2 4 4	1 13/16 1 13/16 1 13/16 1 13/16 1 13/16 1 13/16 1 13/16 1 13/16 1 13/16 1 5/16 1 5/16	63,0 73,0 78,0 83,0 94,0 94,0 99,0 104,0 109,0 142,0 182,0	PHP 4-D120TB PHP 4-D130TB PHP 4-D135TB PHP 4-D140TB PHP 4-D145TB PHP 4-D150TB PHP 4-D155TB PHP 4-D160TB PHP 4-D180TB PHP 4-D220TB PHP 4-D270TB	
Type A-3														
D	5	12,0 13,0 13,5 14,0 14,5 15,0 15,5 16,0 18,0 22,0 27,0	A-1 A-2 A-2 A-2 A-2 A-2 A-2 A-2 A-3 A-3 A-3	4040 4040 4040 4040 4040 4040 4040 4040 4040 4040 4040	12,6 13,6 14,1 14,6 15,1 15,6 16,1 16,6 18,6 22,6 27,6	1 3/4 1 3/4 1 3/4 1 3/4 1 3/4 1 3/4 1 3/4 1 3/4 1 3/4 1 3/4 1 3/4	4 4 4 4 4 4 4 4 4 4 4	7 1/2 7 1/2 7 1/2 7 1/2 7 1/2 7 1/2 7 1/2 7 1/2 7 1/2 7 1/2 7 1/2	1/4 3/4 3/4 3/4 3/4 3/4 3/4 3/4 1 1 1	4 4 4 4 4 4 4 4 4 4 4	2 3/4 2 3/4 2 3/4 2 3/4 2 3/4 2 3/4 2 3/4 2 3/4 2 1/2 2 1/2 2 1/2	82,0 87,0 92,0 97,0 102,0 107,0 112,0 112,0 132,0 162,0 207,0	PHP 5-D120TB PHP 5-D130TB PHP 5-D135TB PHP 5-D140TB PHP 5-D145TB PHP 5-D150TB PHP 5-D155TB PHP 5-D160TB PHP 5-D180TB PHP 5-D220TB PHP 5-D270TB	
D	6	12,0 13,0 13,5 14,0 14,5 15,0 15,5 16,0 18,0 22,0 27,0 33,0	A-1 A-2 A-2 A-2 A-2 A-2 A-2 A-2 A-2 A-3 A-3 A-3	4040 4040 4040 4040 4040 4040 4040 4040 4040 4040 4545 4545	12,6 13,6 14,1 14,6 15,1 15,6 16,1 16,6 18,6 22,6 27,6 33,6	1 3/4 1 3/4 1 3/4 1 3/4 1 3/4 1 3/4 1 3/4 1 3/4 1 3/4 1 3/4 2 1/4 2 1/4	4 4 4 4 4 4 4 4 4 4 4 1/2 4 1/2	8 15/16 8 15/16 8 15/16 8 15/16 8 15/16 8 15/16 8 15/16 8 15/16 8 15/16 8 15/16 8 15/16 8 15/16	1 1 1/2 1 1/2 1 1/2 1 1/2 1 1/2 1 1/2 1 1/2 1 1/2 1 1/2 1 3/4 1 3/4	4 4 4 4 4 4 4 4 4 4 4 1/2 4 1/2	3 15/16 3 7/16 3 7/16 3 7/16 3 7/16 3 7/16 3 7/16 3 7/16 3 7/16 3 7/16 2 11/16 2 11/16	100,0 100,0 107,0 112,0 117,0 122,0 127,0 175,0 185,0 210,0 260,0 340,0	PHP 6-D120TB PHP 6-D130TB PHP 6-D135TB PHP 6-D140TB PHP 6-D145TB PHP 6-D150TB PHP 6-D155TB PHP 6-D160TB PHP 6-D180TB PHP 6-D220TB PHP 6-D270TB PHP 6-D330TB	
D	8	12,0 13,0 13,5 14,0 14,5 15,0 15,5 16,0 18,0 22,0 27,0 33,0	A-1 A-1 A-2 A-1 A-2 A-2 A-2 A-2 A-2 A-3 A-3 A-3	4545 4545 4545 4545 4545 4545 4545 4545 4545 4545 4545 4545	12,6 13,6 14,1 14,6 15,1 15,6 16,1 16,6 18,6 22,6 27,6 33,6	2 1/4 2 1/4 2 1/4 2 1/4 2 1/4 2 1/4 2 1/4 2 1/4 2 1/4 2 1/4 2 1/4 2 1/4	4 1/2 4 1/2 4 1/2 4 1/2 4 1/2 4 1/2 4 1/2 4 1/2 4 1/2 4 1/2 4 1/2 4 1/2	11 13/16 11 13/16 11 13/16 11 13/16 11 13/16 11 13/16 11 13/16 11 13/16 11 13/16 11 13/16 11 13/16 11 13/16	1/2 1/2 1 1 1 1 1 1 1 1 2 3/4 2 3/4	4 1/2 4 1/2 4 1/2 4 1/2 4 1/2 4 1/2 4 1/2 4 1/2 4 1/2 4 1/2 4 1/2 4 1/2	6 13/16 6 13/16 6 5/16 6 5/16 6 5/16 6 5/16 6 5/16 6 5/16 6 5/16 6 5/16 5 5/16 5 5/16	125,0 155,0 150,0 155,0 155,0 135,0 165,0 165,0 180,0 275,0 345,0 455,0	PHP 8-D120TB PHP 8-D130TB PHP 8-D135TB PHP 8-D140TB PHP 8-D145TB PHP 8-D150TB PHP 8-D155TB PHP 8-D160TB PHP 8-D180TB PHP 8-D220TB PHP 8-D270TB PHP 8-D330TB	

¹⁾ Taper bushing needs to conform to coarse thread series (UNC) of the ASME/ANSI standard. To complete designation, add U before bushing number and bore size at the end of designation, e.g. PHF TBU3535X70MM.

²⁾ Mass does not include bushings.

Classical V-belt pulleys

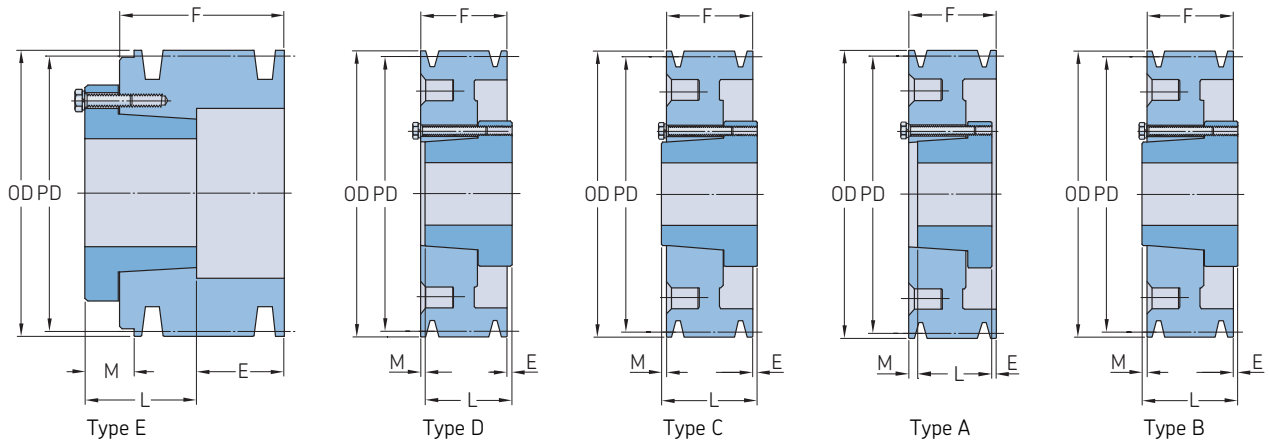
D taper bushed

Section	Number of grooves	Pitch diameter PD	Pulley type	Bushing number	Dimensions						Mass*	Designation		
					Outer diameter OD	B Min.	Max.	F	E	L			M	
-	-	in.	-	-	in.						lbs.	-		
D	10	12,0	A-1	4545	12,6	2 1/4	4 1/2	14 11/16	2 3/8	4 1/2	7 13/16	140,0	PHP 10-D120TB	
		13,0	A-1	4545	13,6	2 1/4	4 1/2	14 11/16	2 3/8	4 1/2	7 13/16	170,0	PHP 10-D130TB	
		13,5	A-2	4545	14,1	2 1/4	4 1/2	14 11/16	2 3/8	4 1/2	7 13/16	170,0	PHP 10-D135TB	
		14,0	A-2	4545	14,6	2 1/4	4 1/2	14 11/16	2 3/8	4 1/2	7 13/16	175,0	PHP 10-D140TB	
		14,5	A-2	4545	15,1	2 1/4	4 1/2	14 11/16	2 3/8	4 1/2	7 13/16	180,0	PHP 10-D145TB	
			15,0	A-2	4545	15,6	2 1/4	4 1/2	14 11/16	2 3/8	4 1/2	7 13/16	195,0	PHP 10-D150TB
			15,5	A-2	4545	16,1	2 1/4	4 1/2	14 11/16	2 3/8	4 1/2	7 13/16	175,0	PHP 10-D155TB
			16,0	A-2	4545	16,6	2 1/4	4 1/2	14 11/16	2 3/8	4 1/2	7 13/16	195,0	PHP 10-D160TB
			18,0	A-2	4545	18,6	2 1/4	4 1/2	14 11/16	4	4 1/2	6 3/16	195,0	PHP 10-D180TB
			22,0	A-3	4545	22,6	2 1/4	4 1/2	14 11/16	4	4 1/2	6 3/16	340,0	PHP 10-D220TB
			27,0	A-3	4545	27,6	2 1/4	4 1/2	14 11/16	4	4 1/2	6 3/16	415,0	PHP 10-D270TB
			33,0	A-3	4545	33,6	2 1/4	4 1/2	14 11/16	4 1/4	4 1/2	5 15/16	485,0	PHP 10-D330TB

* Mass does not include bushings.

Classical V-belt pulleys

A/B QD bushed



Section	Number of grooves	Pitch diameter		Pulley type ¹⁾	Bushing number	Dimensions				Mass ²⁾	Designation				
		Belt A PD	Belt B PD			Outer diameter OD	Bore Min.	Max.	E			F	L	M	
		in.				in.						lbs.			
A/B	1	3.0	3.4	E-1	SH	3,75	1/2	1 5/8	7/32	7/8	1 5/16	21/32	2,0	PHP 1-B34-SH	
		3.2	3.6	D-1	SH	3,95	1/2	1 5/8	19/32	7/8	1 5/16	5/32	2,2	PHP 1-B36-SH	
		3.4	3.8	D-1	SH	4,15	1/2	1 5/8	19/32	7/8	1 5/16	5/32	2,4	PHP 1-B38-SH	
		3.6	4.0	C-1	SH	4,35	1/2	1 5/8	11/32	7/8	1 5/16	3/32	2,7	PHP 1-B40-SH	
		3.8	4.2	C-1	SH	4,55	1/2	1 5/8	11/32	7/8	1 5/16	3/32	2,9	PHP 1-B42-SH	
		4.0	4.4	C-1	SH	4,75	1/2	1 5/8	11/32	7/8	1 5/16	3/32	3,4	PHP 1-B44-SH	
		4.2	4.6	C-1	SDS	4,95	1/2	2	11/32	7/8	1 5/16	3/32	4,0	PHP 1-B46-SDS	
		4.4	4.8	C-1	SDS	5,15	1/2	2	11/32	7/8	1 5/16	3/32	4,3	PHP 1-B48-SDS	
		4.6	5.0	C-1	SDS	5,35	1/2	2	11/32	7/8	1 5/16	3/32	4,7	PHP 1-B50-SDS	
		4.8	5.2	C-1	SDS	5,55	1/2	2	11/32	7/8	1 5/16	3/32	5,0	PHP 1-B52-SDS	
		5.0	5.4	C-1	SDS	5,75	1/2	2	11/32	7/8	1 5/16	3/32	5,3	PHP 1-B54-SDS	
		5.2	5.6	C-1	SDS	5,95	1/2	2	11/32	7/8	1 5/16	3/32	5,6	PHP 1-B56-SDS	
		5.4	5.8	C-2	SDS	6,15	1/2	2	11/32	7/8	1 5/16	3/32	5,9	PHP 1-B58-SDS	
		5.6	6.0	C-2	SDS	6,35	1/2	2	11/32	7/8	1 5/16	3/32	6,2	PHP 1-B60-SDS	
		5.8	6.2	C-2	SDS	6,55	1/2	2	11/32	7/8	1 5/16	3/32	6,5	PHP 1-B62-SDS	
		6.0	6.4	C-2	SDS	6,75	1/2	2	11/32	7/8	1 5/16	3/32	6,8	PHP 1-B64-SDS	
	6.2	6.6	C-2	SDS	6,95	1/2	2	11/32	7/8	1 5/16	3/32	7,2	PHP 1-B66-SDS		
	6.4	6.8	C-3	SDS	7,15	1/2	2	11/32	7/8	1 5/16	3/32	7,5	PHP 1-B68-SDS		
	6.6	7.0	C-3	SDS	7,35	1/2	2	11/32	7/8	1 5/16	3/32	7,8	PHP 1-B70-SDS		
	7.0	7.4	D-3	SDS	7,75	1/2	2	17/32	1	1 5/16	7/32	8,8	PHP 1-B74-SDS		
	7.6	8.0	D-3	SDS	8,35	1/2	2	17/32	1	1 5/16	7/32	9,6	PHP 1-B80-SDS		
	8.2	8.6	D-3	SDS	8,95	1/2	2	17/32	1	1 5/16	7/32	10,0	PHP 1-B86-SDS		
	9.0	9.4	D-3	SDS	9,75	1/2	2	17/32	1	1 5/16	7/32	10,5	PHP 1-B94-SDS		
	10.6	11.0	D-3	SDS	11,35	1/2	2	17/32	1	1 5/16	7/32	11,0	PHP 1-B110-SDS		
	12.0	12.4	D-3	SDS	12,75	1/2	2	17/32	1	1 5/16	7/32	12,0	PHP 1-B124-SDS		
	13.2	13.6	D-3	SDS	13,95	1/2	2	17/32	1	1 5/16	7/32	14,0	PHP 1-B136-SDS		
	15.0	15.4	C-3	SK	15,75	1/2	2 5/8	21/32	1	1 15/16	9/32	16,0	PHP 1-B154-SK		
	15.6	16.0	C-3	SK	16,35	1/2	2 5/8	21/32	1	1 15/16	9/32	16,6	PHP 1-B160-SK		
	18.0	18.4	C-3	SK	18,75	1/2	2 5/8	21/32	1	1 15/16	9/32	18,0	PHP 1-B184-SK		
	19.6	20.0	C-3	SK	20,35	1/2	2 5/8	21/32	1	1 15/16	9/32	20,0	PHP 1-B200-SK		
	A/B	2	3.0	3.4	E-1	SH	3,75	1/2	1 5/8	1 3/32	1 3/4	1 5/16	21/32	3,2	PHP 2-B34-SH
			3.2	3.6	D-1	SH	3,95	1/2	1 5/8	15/32	1 3/4	1 5/16	29/32	3,4	PHP 2-B36-SH
3.4			3.8	D-1	SH	4,15	1/2	1 5/8	15/32	1 3/4	1 5/16	29/32	3,9	PHP 2-B38-SH	
3.6			4.0	A-1	SH	4,35	1/2	1 5/8	1/32	1 3/4	1 5/16	13/32	4,1	PHP 2-B40-SH	
3.8			4.2	A-1	SH	4,55	1/2	1 5/8	1/32	1 3/4	1 5/16	13/32	4,4	PHP 2-B42-SH	
4.0			4.4	A-1	SH	4,75	1/2	1 5/8	1/32	1 3/4	1 5/16	13/32	4,6	PHP 2-B44-SH	
4.2			4.6	A-1	SDS	4,95	1/2	2	1/32	1 3/4	1 5/16	13/32	5,0	PHP 2-B46-SDS	
4.4			4.8	A-1	SDS	5,15	1/2	2	1/32	1 3/4	1 5/16	13/32	5,4	PHP 2-B48-SDS	
4.6			5.0	A-1	SDS	5,35	1/2	2	1/32	1 3/4	1 5/16	13/32	6,0	PHP 2-B50-SDS	
4.8			5.2	A-1	SDS	5,55	1/2	2	1/32	1 3/4	1 5/16	13/32	6,3	PHP 2-B52-SDS	
5.0			5.4	A-1	SDS	5,75	1/2	2	1/32	1 3/4	1 5/16	13/32	6,6	PHP 2-B54-SDS	
5.2			5.6	A-2	SDS	5,95	1/2	2	1/32	1 3/4	1 5/16	13/32	6,9	PHP 2-B56-SDS	
5.4			5.8	A-2	SDS	6,15	1/2	2	1/32	1 3/4	1 5/16	13/32	7,2	PHP 2-B58-SDS	
5.6			6.0	A-2	SDS	6,35	1/2	2	1/32	1 3/4	1 5/16	13/32	7,5	PHP 2-B60-SDS	
5.8			6.2	A-2	SDS	6,55	1/2	2	1/32	1 3/4	1 5/16	13/32	7,8	PHP 2-B62-SDS	
6.0			6.4	A-2	SDS	6,75	1/2	2	1/32	1 3/4	1 5/16	13/32	8,2	PHP 2-B64-SDS	
6.2		6.6	A-2	SDS	6,95	1/2	2	1/32	1 3/4	1 5/16	13/32	8,6	PHP 2-B66-SDS		
6.4		6.8	A-3	SDS	7,15	1/2	2	1/32	1 3/4	1 5/16	13/32	9,0	PHP 2-B68-SDS		
6.6		7.0	D-1	SK	7,35	1/2	2 5/8	11/32	1 3/4	1 15/16	5/32	9,3	PHP 2-B70-SK		
7.0		7.4	D-3	SK	7,75	1/2	2 5/8	11/32	1 3/4	1 15/16	5/32	10,6	PHP 2-B74-SK		
7.6		8.0	D-3	SK	8,35	1/2	2 5/8	11/32	1 3/4	1 15/16	5/32	11,0	PHP 2-B80-SK		
8.2		8.6	D-3	SK	8,95	1/2	2 5/8	11/32	1 3/4	1 15/16	5/32	11,6	PHP 2-B86-SK		
9.0		9.4	D-3	SK	9,75	1/2	2 5/8	11/32	1 3/4	1 15/16	5/32	13,0	PHP 2-B94-SK		
10.6		11.0	D-3	SK	11,35	1/2	2 5/8	11/32	1 3/4	1 15/16	5/32	14,0	PHP 2-B110-SK		

¹⁾ Please, note that 1 in pulley type stands for solid version, 2 for web version and 3 for arm/spoke version.

²⁾ Mass does not include bushings.

Classical V-belt pulleys

A/B QD bushed

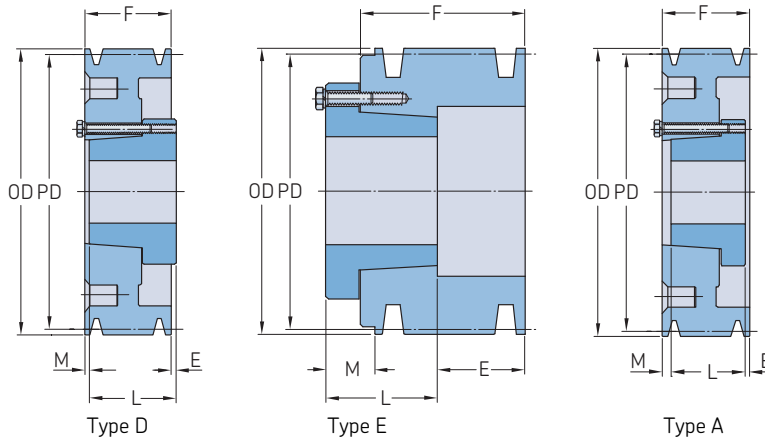
Section	Number of grooves	Pitch diameter		Pulley type ¹⁾	Bushing number	Dimensions						Mass ²⁾	Designation	
		Belt A	Belt B			Outer diameter OD	Bore Min.	Max.	E	F	L			M
		PD	PD											
A/B	2	12,0 13,2 15,0 15,6 18,0	12,4 13,6 15,4 16,0 18,4	D-3 D-3 D-3 D-3	SK SK SK SK	12,75 13,95 15,75 16,35 18,75	1/2 1/2 1/2 1/2 1/2	2 5/8 2 5/8 2 5/8 2 5/8 2 5/8	11/32 11/32 11/32 11/32 11/32	1 3/4 1 3/4 1 3/4 1 3/4 1 3/4	1 15/16 1 15/16 1 15/16 1 15/16 1 15/16	5/32 5/32 5/32 5/32 5/32	18,0 20,0 23,0 24,0 29,0	PHP 2-B124-SK PHP 2-B136-SK PHP 2-B154-SK PHP 2-B160-SK PHP 2-B184-SK
		19,6 24,6 29,6 37,6	20,0 25,0 30,0 38,0	D-3 D-3 D-3 D-3	SF SF SF SF	20,35 25,35 30,35 38,35	1/2 1/2 1/2 1/2	2 15/16 2 15/16 2 15/16 2 15/16	15/32 15/32 15/32 15/32	1 3/4 1 3/4 1 3/4 1 3/4	2 1/16 2 1/16 2 1/16 2 1/16	5/32 5/32 5/32 5/32	33,0 41,0 51,0 64,0	PHP 2-B200-SF PHP 2-B250-SF PHP 2-B300-SF PHP 2-B380-SF
A/B	3	3,0 3,2 3,4 3,6 3,8	3,4 3,6 3,8 4,0 4,2	E-1 D-1 D-1 D-1 D-1	SH SH SH SH SH	3,75 3,95 4,15 4,35 4,55	1/2 1/2 1/2 1/2 1/2	1 5/8 1 5/8 1 5/8 1 5/8 1 5/8	1 7/32 1 1/2 1 1/2 1 1/2 1 1/2	2 1/2 2 1/2 2 1/2 2 1/2 2 1/2	1 5/16 1 5/16 1 5/16 1 5/16 1 5/16	21/32 1 21/32 1 21/32 1 21/32 1 21/32	4,4 4,7 5,3 5,6 5,9	PHP 3-B34-SH PHP 3-B36-SH PHP 3-B38-SH PHP 3-B40-SH PHP 3-B42-SH
		4,0 4,2 4,4 4,6 4,8	4,4 4,6 4,8 5,0 5,2	D-1 A-1 A-1 A-1 A-1	SH SD SD SD SD	4,75 4,95 5,15 5,35 5,55	1/2 1/2 1/2 1/2 1/2	1 5/8 2 2 2 2	15/32 13/32 13/32 13/32 13/32	2 1/2 2 1/2 2 1/2 2 1/2 2 1/2	1 5/16 1 13/16 1 13/16 1 13/16 1 13/16	1 21/32 9/32 9/32 9/32 9/32	6,3 6,7 7,1 7,4 7,8	PHP 3-B44-SH PHP 3-B46-SH PHP 3-B48-SH PHP 3-B50-SH PHP 3-B52-SH
		5,0 5,2 5,4 5,6 5,8	5,4 5,6 5,8 6,0 6,2	A-1 A-1 A-1 A-1 A-1	SD SD SD SD SD	5,75 5,95 6,15 6,35 6,55	1/2 1/2 1/2 1/2 1/2	2 2 2 2 2	13/32 13/32 13/32 13/32 13/32	2 1/2 2 1/2 2 1/2 2 1/2 2 1/2	1 13/16 1 13/16 1 13/16 1 13/16 1 13/16	9/32 9/32 9/32 9/32 9/32	8,2 8,5 8,8 9,1 9,4	PHP 3-B54-SH PHP 3-B56-SH PHP 3-B58-SH PHP 3-B60-SH PHP 3-B62-SH
		6,0 6,2 6,4 6,6 7,0	6,4 6,6 6,8 7,0 7,4	A-1 A-1 B-3 B-3 D-3	SD SD SD SK SK	6,75 6,95 7,15 7,35 7,75	1/2 1/2 1/2 1/2 1/2	2 2 2 2 5/8 2 5/8	13/32 13/32 13/32 3/32 3/32	2 1/2 2 1/2 2 1/2 2 1/2 2 1/2	1 13/16 1 13/16 1 13/16 1 15/16 1 15/16	9/32 9/32 9/32 21/32 21/32	9,7 10,0 10,5 11,0 12,0	PHP 3-B64-SH PHP 3-B66-SH PHP 3-B68-SH PHP 3-B70-SK PHP 3-B74-SK
		7,6 8,2 9,0 10,6 12,0	8,0 8,6 9,4 11,0 12,4	D-3 D-3 D-3 D-3 D-3	SK SK SK SK SK	8,35 8,95 9,75 11,35 12,75	1/2 1/2 1/2 1/2 1/2	2 5/8 2 5/8 2 5/8 2 5/8 2 5/8	3/32 3/32 3/32 3/32 3/32	2 1/2 2 1/2 2 1/2 2 1/2 2 1/2	1 15/16 1 15/16 1 15/16 1 15/16 1 15/16	21/32 21/32 21/32 21/32 21/32	12,5 13,0 16,0 19,0 24,0	PHP 3-B80-SK PHP 3-B86-SK PHP 3-B94-SK PHP 3-B110-SK PHP 3-B124-SK
		13,2 15,0 15,6 18,0 19,6	13,6 15,4 16,0 18,4 20,0	D-3 D-3 D-3 D-3 D-3	SK SK SK SK SF	13,95 15,75 16,35 18,75 20,35	1/2 1/2 1/2 1/2 1/2	2 5/8 2 5/8 2 5/8 2 5/8 2 15/16	3/32 3/32 3/32 3/32 7/32	2 1/2 2 1/2 2 1/2 2 1/2 2 1/2	1 15/16 1 15/16 1 15/16 1 15/16 2 1/16	21/32 21/32 21/32 21/32 21/32	27,0 30,0 33,0 38,0 43,0	PHP 3-B136-SK PHP 3-B154-SK PHP 3-B160-SK PHP 3-B184-SK PHP 3-B200-SF
		24,6 29,6 37,6	25,0 30,0 38,0	D-3 D-3 D-3	SF SF E	25,35 30,35 38,35	1/2 1/2 7/8	2 15/16 2 15/16 3 1/2	7/32 7/32 17/32	2 1/2 2 1/2 2 1/2	2 1/16 2 1/16 2 3/4	21/32 21/32 9/32	54,0 67,0 90,0	PHP 3-B250-SF PHP 3-B300-SF PHP 3-B380-E
A/B	4	3,0 3,2 3,4 3,6 3,8	3,4 3,6 3,8 4,0 4,2	E-1 E-1 E-1 E-1 E-1	SD SD SD SD SD	3,75 3,95 4,15 4,35 4,55	1/2 1/2 1/2 1/2 1/2	2 2 2 2 2	2 15/32 2 15/32 2 15/32 2 2/32 2 2/32	3 1/4 3 1/4 3 1/4 3 1/4 3 1/4	1 13/16 1 13/16 1 13/16 1 13/16 1 13/16	1 1/32 1 1/32 1 1/32 21/32 21/32	5,5 5,8 6,2 6,6 6,9	PHP 4-B34-SD PHP 4-B36-SD PHP 4-B38-SD PHP 4-B40-SD PHP 4-B42-SD
		4,0 4,2 4,4 4,6 4,8	4,4 4,6 4,8 5,0 5,2	E-1 A-1 A-1 A-1 A-1	SD SD SD SD SD	4,75 4,95 5,15 5,35 5,55	1/2 1/2 1/2 1/2 1/2	2 2 2 2 2	2 2/32 21/32 21/32 21/32 21/32	3 1/4 3 1/4 3 1/4 3 1/4 3 1/4	1 13/16 1 13/16 1 13/16 1 13/16 1 13/16	21/32 25/32 25/32 25/32 25/32	7,2 7,6 8,0 8,4 8,5	PHP 4-B44-SD PHP 4-B46-SD PHP 4-B48-SD PHP 4-B50-SD PHP 4-B52-SD
		5,0 5,2 5,4 5,6 5,8	5,4 5,6 5,8 6,0 6,2	A-1 A-1 A-1 A-1 A-1	SD SD SD SD SD	5,75 5,95 6,15 6,35 6,55	1/2 1/2 1/2 1/2 1/2	2 2 2 2 2	21/32 21/32 21/32 21/32 21/32	3 1/4 3 1/4 3 1/4 3 1/4 3 1/4	1 13/16 1 13/16 1 13/16 1 13/16 1 13/16	25/32 25/32 25/32 25/32 25/32	9,2 9,6 10,0 10,4 10,8	PHP 4-B54-SD PHP 4-B56-SD PHP 4-B58-SD PHP 4-B60-SD PHP 4-B62-SD
		6,0 6,2 6,4 6,6 7,0	6,4 6,6 6,8 7,0 7,4	A-1 A-1 A-3 A-1 A-3	SD SD SD SK SK	6,75 6,95 7,15 7,35 7,75	1/2 1/2 1/2 1/2 1/2	2 2 2 2 5/8 2 5/8	21/32 21/32 21/32 7/32 7/32	3 1/4 3 1/4 3 1/4 3 1/4 3 1/4	1 13/16 1 13/16 1 13/16 1 15/16 1 15/16	25/32 25/32 25/32 1 2/32 1 2/32	12,0 12,4 13,0 13,5 14,0	PHP 4-B64-SD PHP 4-B66-SD PHP 4-B68-SD PHP 4-B70-SK PHP 4-B74-SK
		7,6 8,2 9,0 10,6 12,0	8,0 8,6 9,4 11,0 12,4	A-3 A-3 A-3 A-3 A-3	SK SK SK SK SK	8,35 8,95 9,75 11,35 12,75	1/2 1/2 1/2 1/2 1/2	2 5/8 2 5/8 2 5/8 2 5/8 2 5/8	7/32 7/32 7/32 7/32 7/32	3 1/4 3 1/4 3 1/4 3 1/4 3 1/4	1 15/16 1 15/16 1 15/16 1 15/16 1 15/16	1 2/32 1 2/32 1 2/32 1 2/32 1 2/32	15,5 17,0 19,0 22,0 29,0	PHP 4-B80-SK PHP 4-B86-SK PHP 4-B94-SK PHP 4-B110-SK PHP 4-B124-SK
		13,2 15,0 15,6 18,0 19,6	13,6 15,4 16,0 18,4 20,0	A-3 A-3 A-3 A-3 A-3	SK SF SF SF SF	13,95 15,75 16,35 18,75 20,35	1/2 1/2 1/2 1/2 1/2	2 5/8 2 15/16 2 15/16 2 15/16 2 15/16	7/32 5/32 5/32 5/32 5/32	3 1/4 3 1/4 3 1/4 3 1/4 3 1/4	1 15/16 2 1/16 2 1/16 2 1/16 2 1/16	1 2/32 1 1/32 1 1/32 1 1/32 1 1/32	34,0 39,0 42,0 47,0 51,0	PHP 4-B136-SK PHP 4-B154-SF PHP 4-B160-SF PHP 4-B184-SF PHP 4-B200-SF
		24,6	25,0	D-3	E	25,35	7/8	3 1/2	5/32	3 1/4	2 3/4	21/32	73,0	PHP 4-B250-E

¹⁾ Please, note that 1 in pulley type stands for solid version, 2 for web version and 3 for arm/spoke version.

²⁾ Mass does not include bushings.

Classical V-belt pulleys

A/B QD bushed



Section	Number of grooves	Pitch diameter		Pulley type ¹⁾	Bushing number	Dimensions						Mass ²⁾	Designation	
		Belt A PD	Belt B PD			Outer diameter OD	Bore Min.	Max.	E	F	L			M
		in.		in.						lbs.				
A/B	4	29,6	30,0	D-3	E	30,35	7/8	3 1/2	5/32	3 1/4	2 3/4	21/32	86,0	PHP 4-B300-E
		37,6	38,0	D-3	E	38,35	7/8	3 1/2	5/32	3 1/4	2 3/4	21/32	109,0	PHP 4-B380-E
A/B	5	3,0	3,4	E-1	SD	3,75	1/2	2	3 7/32	4	1 13/16	1 1/32	6,1	PHP 5-B34-SD
		3,2	3,6	E-1	SD	3,95	1/2	2	3 7/32	4	1 13/16	1 1/32	6,6	PHP 5-B36-SD
		3,4	3,8	E-1	SD	4,15	1/2	2	3 7/32	4	1 13/16	1 1/32	7,1	PHP 5-B38-SD
		3,6	4,0	E-1	SD	4,35	1/2	2	2 27/32	4	1 13/16	21/32	7,4	PHP 5-B40-SD
		3,8	4,2	E-1	SD	4,55	1/2	2	2 27/32	4	1 13/16	21/32	8,0	PHP 5-B42-SD
		4,0	4,4	E-1	SD	4,75	1/2	2	2 27/32	4	1 13/16	21/32	8,5	PHP 5-B44-SD
		4,2	4,6	A-1	SD	4,95	1/2	2	2 21/32	4	1 13/16	1 17/32	9,0	PHP 5-B46-SD
		4,4	4,8	A-1	SD	5,15	1/2	2	2 21/32	4	1 13/16	1 17/32	9,4	PHP 5-B48-SD
		4,6	5,0	A-1	SD	5,35	1/2	2	2 21/32	4	1 13/16	1 17/32	10,0	PHP 5-B50-SD
		4,8	5,2	A-1	SD	5,55	1/2	2	2 21/32	4	1 13/16	1 17/32	10,4	PHP 5-B52-SD
		5,0	5,4	A-1	SK	5,75	1/2	2 5/8	17/32	4	1 15/16	1 17/32	10,8	PHP 5-B54-SK
		5,2	5,6	A-1	SK	5,95	1/2	2 5/8	17/32	4	1 15/16	1 17/32	11,3	PHP 5-B56-SK
		5,4	5,8	A-1	SK	6,15	1/2	2 5/8	17/32	4	1 15/16	1 17/32	12,0	PHP 5-B58-SK
		5,6	6,0	A-1	SK	6,35	1/2	2 5/8	17/32	4	1 15/16	1 17/32	14,0	PHP 5-B60-SK
		5,8	6,2	A-1	SK	6,55	1/2	2 5/8	17/32	4	1 15/16	1 17/32	15,0	PHP 5-B62-SK
		6,0	6,4	A-1	SK	6,75	1/2	2 5/8	17/32	4	1 15/16	1 17/32	16,0	PHP 5-B64-SK
		6,2	6,6	A-1	SK	6,95	1/2	2 5/8	17/32	4	1 15/16	1 17/32	17,0	PHP 5-B66-SK
		6,4	6,8	A-1	SK	7,15	1/2	2 5/8	17/32	4	1 15/16	1 17/32	18,0	PHP 5-B68-SK
		6,6	7,0	A-1	SF	7,35	1/2	2 15/16	15/32	4	2 1/16	1 15/32	19,0	PHP 5-B70-SF
		7,0	7,4	A-2	SF	7,75	1/2	2 15/16	15/32	4	2 1/16	1 15/32	20,0	PHP 5-B74-SF
		7,6	8,0	A-2	SF	8,35	1/2	2 15/16	15/32	4	2 1/16	1 15/32	21,0	PHP 5-B80-SF
		8,2	8,6	A-2	SF	8,95	1/2	2 15/16	15/32	4	2 1/16	1 15/32	22,0	PHP 5-B86-SF
		9,0	9,4	A-3	SF	9,75	1/2	2 15/16	15/32	4	2 1/16	1 15/32	24,0	PHP 5-B94-SF
		10,6	11,0	A-3	SF	11,35	1/2	2 15/16	15/32	4	2 1/16	1 15/32	29,0	PHP 5-B110-SF
		12,0	12,4	A-3	SF	12,75	1/2	2 15/16	15/32	4	2 1/16	1 15/32	34,0	PHP 5-B124-SF
		13,2	13,6	A-3	SF	13,95	1/2	2 15/16	15/32	4	2 1/16	1 15/32	38,0	PHP 5-B136-SF
		15,0	15,4	A-3	SF	15,75	1/2	2 15/16	15/32	4	2 1/16	1 15/32	46,0	PHP 5-B154-SF
		15,6	16,0	A-3	SF	16,35	1/2	2 15/16	15/32	4	2 1/16	1 15/32	49,0	PHP 5-B160-SF
		18,0	18,4	A-3	SF	18,75	1/2	2 15/16	15/32	4	2 1/16	1 15/32	55,0	PHP 5-B184-SF
		19,6	20,0	A-3	E	20,35	7/8	1/2	2/32	4	2 3/4	1 5/32	65,0	PHP 5-B200-E
		24,6	25,0	A-3	E	25,35	7/8	1/2	2/32	4	2 3/4	1 5/32	86,0	PHP 5-B250-E
		29,6	30,0	A-3	E	30,35	7/8	1/2	2/32	4	2 3/4	1 5/32	102,0	PHP 5-B300-E
37,6	38,0	A-3	E	38,35	7/8	1/2	2/32	4	2 3/4	1 5/32	132,0	PHP 5-B380-E		
A/B	6	3,0	3,4	E-1	SD	3,75	1/2	2	3 31/32	4 3/4	1 13/16	1 1/32	6,7	PHP 6-B34-SD
		3,2	3,6	E-1	SD	3,95	1/2	2	3 31/32	4 3/4	1 13/16	1 1/32	7,4	PHP 6-B36-SD
		3,4	3,8	E-1	SD	4,15	1/2	2	3 31/32	4 3/4	1 13/16	1 1/32	8,0	PHP 6-B38-SD
		3,6	4,0	E-1	SD	4,35	1/2	2	3 19/32	4 3/4	1 13/16	21/32	8,4	PHP 6-B40-SD
		3,8	4,2	E-1	SD	4,55	1/2	2	3 19/32	4 3/4	1 13/16	21/32	9,0	PHP 6-B42-SD
		4,0	4,4	E-1	SD	4,75	1/2	2	3 19/32	4 3/4	1 13/16	21/32	9,7	PHP 6-B44-SD
		4,2	4,6	A-1	SD	4,95	1/2	2	21/32	4 3/4	1 13/16	2 9/32	10,1	PHP 6-B46-SD
		4,4	4,8	A-1	SD	5,15	1/2	2	21/32	4 3/4	1 13/16	2 9/32	10,6	PHP 6-B48-SD
		4,6	5,0	A-1	SD	5,35	1/2	2	21/32	4 3/4	1 13/16	2 9/32	11,0	PHP 6-B50-SD
		4,8	5,2	A-1	SD	5,55	1/2	2	21/32	4 3/4	1 13/16	2 9/32	12,0	PHP 6-B52-SD
		5,0	5,4	A-1	SK	5,75	1/2	2 5/8	17/32	4 3/4	1 15/16	2 9/32	13,0	PHP 6-B54-SK
		5,2	5,6	A-1	SK	5,95	1/2	2 5/8	17/32	4 3/4	1 15/16	2 9/32	14,0	PHP 6-B56-SK
		5,4	5,8	A-1	SK	6,15	1/2	2 5/8	17/32	4 3/4	1 15/16	2 9/32	14,6	PHP 6-B58-SK
		5,6	6,0	A-1	SK	6,35	1/2	2 5/8	17/32	4 3/4	1 15/16	2 9/32	15,0	PHP 6-B60-SK
		5,8	6,2	A-1	SK	6,55	1/2	2 5/8	17/32	4 3/4	1 15/16	2 9/32	16,0	PHP 6-B62-SK
		6,0	6,4	A-1	SK	6,75	1/2	2 5/8	17/32	4 3/4	1 15/16	2 9/32	17,0	PHP 6-B64-SK
		6,2	6,6	A-1	SK	6,95	1/2	2 5/8	17/32	4 3/4	1 15/16	2 9/32	18,0	PHP 6-B66-SK
		6,4	6,8	A-1	SK	7,15	1/2	2 5/8	17/32	4 3/4	1 15/16	2 9/32	19,0	PHP 6-B68-SK

¹⁾ Please, note that 1 in pulley type stands for solid version, 2 for web version and 3 for arm/spoke version.
²⁾ Mass does not include bushings.

Classical V-belt pulleys

A/B QD bushed

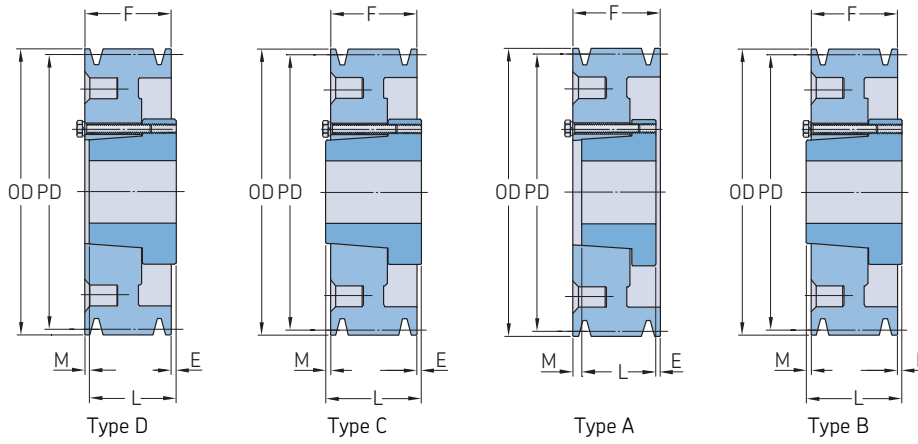
Section	Number of grooves	Pitch diameter		Pulley type ¹⁾	Bushing number	Dimensions						Mass ²⁾	Designation			
		Belt A	Belt B			Outer diameter OD	Bore Min.	Max.	E	F	L			M		
-	-	in.	in.	-	-	in.							lbs.	-		
A/B	6	6,6	7,0	A-1	SF	7,35	1/2	2 15/16	27/32	4 3/4	2 1/16	1 27/32	20,0	PHP 6-B70-SF		
		7,0	7,4	A-1	SF	7,75	1/2	2 15/16	27/32	4 3/4	2 1/16	1 27/32	22,0	PHP 6-B74-SF		
		7,6	8,0	A-2	SF	8,35	1/2	2 15/16	27/32	4 3/4	2 1/16	1 27/32	24,0	PHP 6-B80-SF		
		8,2	8,6	A-2	SF	8,95	1/2	2 15/16	27/32	4 3/4	2 1/16	1 27/32	26,0	PHP 6-B86-SF		
		9,0	9,4	A-3	SF	9,75	1/2	2 15/16	27/32	4 3/4	2 1/16	1 27/32	27,0	PHP 6-B94-SF		
		10,6	11,0	A-3	SF	11,35	1/2	2 15/16	27/32	4 3/4	2 1/16	1 27/32	32,0	PHP 6-B110-SF		
		12,0	12,4	A-3	SF	12,75	1/2	2 15/16	27/32	4 3/4	2 1/16	1 27/32	39,0	PHP 6-B124-SF		
		13,2	13,6	A-3	SF	13,95	1/2	2 15/16	27/32	4 3/4	2 1/16	1 27/32	44,0	PHP 6-B136-SF		
		15,0	15,4	A-3	SF	15,75	1/2	2 15/16	27/32	4 3/4	2 1/16	1 27/32	50,0	PHP 6-B154-SF		
		15,6	16,0	A-3	SF	16,35	1/2	2 15/16	27/32	4 3/4	2 1/16	1 27/32	54,0	PHP 6-B160-SF		
		18,0	18,4	A-3	SF	18,75	1/2	2 15/16	27/32	4 3/4	2 1/16	1 27/32	62,0	PHP 6-B184-SF		
		19,6	20,0	A-3	E	20,35	7/8	3 1/2	7/32	4 3/4	2 3/4	1 25/32	74,0	PHP 6-B200-E		
		24,6	25,0	A-3	E	25,35	7/8	3 1/2	7/32	4 3/4	2 3/4	1 25/32	96,0	PHP 6-B250-E		
		29,6	30,0	A-3	E	30,35	7/8	3 1/2	7/32	4 3/4	2 3/4	1 25/32	119,0	PHP 6-B300-E		
		37,6	38,0	A-3	E	38,35	7/8	3 1/2	7/32	4 3/4	2 3/4	1 25/32	134,0	PHP 6-B380-E		
		A/B	8	5,0	5,4	A-1	SK	5,75	1/2	2 5/8	1 1/32	6 1/4	1 15/16	3 9/32	15,0	PHP 8-B54-SK
				5,2	5,6	A-1	SK	5,95	1/2	2 5/8	1 1/32	6 1/4	1 15/16	3 9/32	16,0	PHP 8-B56-SK
				5,6	6,0	A-1	SF	6,35	1/2	2 15/16	31/32	6 1/4	2 1/16	3 7/32	20,0	PHP 8-B60-SF
				6,0	6,4	A-1	SF	6,75	1/2	2 15/16	31/32	6 1/4	2 1/16	3 7/32	23,0	PHP 8-B64-SF
				6,4	6,8	A-1	SF	7,15	1/2	2 15/16	31/32	6 1/4	2 1/16	3 7/32	25,0	PHP 8-B68-SF
7,0	7,4			A-1	SF	7,75	1/2	2 15/16	31/32	6 1/4	2 1/16	3 7/32	28,0	PHP 8-B74-SF		
8,2	8,6			A-1	E	8,95	7/8	3 1/2	1 7/32	6 1/4	2 3/4	2 9/32	40,0	PHP 8-B86-E		
9,0	9,4			A-2	E	9,75	7/8	3 1/2	1 7/32	6 1/4	2 3/4	2 9/32	43,0	PHP 8-B94-E		
10,6	11,0			A-3	E	11,35	7/8	3 1/2	1 7/32	6 1/4	2 3/4	2 9/32	49,0	PHP 8-B110-E		
12,0	12,4			A-3	E	12,75	7/8	3 1/2	1 7/32	6 1/4	2 3/4	2 9/32	56,0	PHP 8-B124-E		
15,0	15,4			A-3	E	15,75	7/8	3 1/2	1 7/32	6 1/4	2 3/4	2 9/32	69,0	PHP 8-B154-E		
18,0	18,4			D-3	F	18,75	1	4	1/32	6 1/4	3 3/4	2 17/32	91,0	PHP 8-B184-F		
19,6	20,0			D-3	F	20,35	1	4	1/32	6 1/4	3 3/4	2 17/32	98,0	PHP 8-B200-F		
24,6	25,0			D-3	F	25,35	1	4	1/32	6 1/4	3 3/4	2 17/32	121,0	PHP 8-B250-F		
29,6	30,0			D-3	F	30,35	1	4	1/32	6 1/4	3 3/4	2 17/32	148,0	PHP 8-B300-F		
37,6	38,0			D-3	F	38,35	1	4	1/32	6 1/4	3 3/4	2 17/32	194,0	PHP 8-B380-F		
A/B	10			5,0	5,4	A-1	SK	5,75	1/2	2 5/8	1 25/32	7 3/4	1 15/16	4 1/32	18,0	PHP 10-B54-SK
				5,2	5,6	A-1	SK	5,95	1/2	2 5/8	1 25/32	7 3/4	1 15/16	4 1/32	20,0	PHP 10-B56-SK
				5,6	6,0	A-1	SF	6,35	1/2	2 15/16	1 22/32	7 3/4	2 1/16	3 31/32	24,0	PHP 10-B60-SF
				6,0	6,4	A-1	SF	6,75	1/2	2 15/16	1 22/32	7 3/4	2 1/16	3 31/32	26,0	PHP 10-B64-SF
		6,4	6,8	A-1	SF	7,15	1/2	2 15/16	1 22/32	7 3/4	2 1/16	3 31/32	28,0	PHP 10-B68-SF		
		7,0	7,4	A-1	SF	7,75	1/2	2 15/16	1 22/32	7 3/4	2 1/16	3 31/32	32,0	PHP 10-B74-SF		
		8,2	8,6	A-1	E	8,95	7/8	3 1/2	1 31/32	7 3/4	2 3/4	3 1/32	42,0	PHP 10-B86-E		
		9,0	9,4	A-2	E	9,75	7/8	3 1/2	1 31/32	7 3/4	2 3/4	3 1/32	48,0	PHP 10-B94-E		
		10,6	11,0	A-3	E	11,35	7/8	3 1/2	1 31/32	7 3/4	2 3/4	3 1/32	56,0	PHP 10-B110-E		
		12,0	12,4	A-3	E	12,75	7/8	3 1/2	1 31/32	7 3/4	2 3/4	3 1/32	64,0	PHP 10-B124-E		
		15,0	15,4	A-3	F	15,75	1	4	5/8	7 3/4	3 3/4	3 9/32	88,0	PHP 10-B154-F		
		18,0	18,4	A-3	F	18,75	1	4	5/8	7 3/4	3 3/4	3 9/32	103,0	PHP 10-B184-F		
		19,6	20,0	A-3	F	20,35	1	4	5/8	7 3/4	3 3/4	3 9/32	112,0	PHP 10-B200-F		
		24,6	25,0	A-3	F	25,35	1	4	5/8	7 3/4	3 3/4	3 9/32	142,0	PHP 10-B250-F		
		29,6	30,0	A-3	F	30,35	1	4	5/8	7 3/4	3 3/4	3 9/32	174,0	PHP 10-B300-F		
		37,6	38,0	A-3	J	38,35	1 1/2	4 1/2	1/8	7 3/4	4 5/8	3	230,0	PHP 10-B380-J		

¹⁾ Please, note that 1 in pulley type stands for solid version, 2 for web version and 3 for arm/spoke version.

²⁾ Mass does not include bushings.

Classical V-belt pulleys

C QD bushed



Section	Number of grooves	Pitch diameter PD	Pulley type ¹⁾	Bushing number	Dimensions Outer diameter OD	Dimensions						Mass ²⁾ lbs.	Designation		
						Bore Min.	Max.	E	F	L	M				
in.													lbs.	-	
C	1	7,0	D-1	SF	7,40	1/2	2 15/16	27/32	1 1/4	2 1/16	1/32	10,0	PHP 1-C70-SF		
		7,5	D-2	SF	7,90	1/2	2 15/16	27/32	1 1/4	2 1/16	1/32	12,0	PHP 1-C75-SF		
		8,0	D-2	SF	8,40	1/2	2 15/16	27/32	1 1/4	2 1/16	1/32	13,0	PHP 1-C80-SF		
		8,5	D-2	SF	8,90	1/2	2 15/16	27/32	1 1/4	2 1/16	1/32	14,0	PHP 1-C85-SF		
		9,0	D-3	SF	9,40	1/2	2 15/16	27/32	1 1/4	2 1/16	1/32	15,0	PHP 1-C90-SF		
		9,5	D-3	SF	9,90	1/2	2 15/16	27/32	1 1/4	2 1/16	1/32	16,0	PHP 1-C95-SF		
		10,0	D-3	SF	10,40	1/2	2 15/16	27/32	1 1/4	2 1/16	1/32	17,0	PHP 1-C100-SF		
		10,5	D-3	SF	10,90	1/2	2 15/16	27/32	1 1/4	2 1/16	1/32	18,0	PHP 1-C105-SF		
		11,0	D-3	SF	11,40	1/2	2 15/16	27/32	1 1/4	2 1/16	1/32	19,0	PHP 1-C110-SF		
		12,0	D-3	SF	12,40	1/2	2 15/16	27/32	1 1/4	2 1/16	1/32	20,0	PHP 1-C120-SF		
		13,0	D-3	SF	13,40	1/2	2 15/16	27/32	1 1/4	2 1/16	1/32	22,0	PHP 1-C130-SF		
		14,0	D-3	SF	14,40	1/2	2 15/16	27/32	1 1/4	2 1/16	1/32	24,0	PHP 1-C140-SF		
		16,0	D-3	SF	16,40	1/2	2 15/16	27/32	1 1/4	2 1/16	1/32	26,0	PHP 1-C160-SF		
		18,0	D-3	SF	18,40	1/2	2 15/16	27/32	1 1/4	2 1/16	1/32	30,0	PHP 1-C180-SF		
		20,0	D-3	SF	20,40	1/2	2 15/16	27/32	1 1/4	2 1/16	1/32	35,0	PHP 1-C200-SF		
		24,0	D-3	SF	24,40	1/2	2 15/16	27/32	1 1/4	2 1/16	1/32	41,0	PHP 1-C240-SF		
		C	2	7,0	D-1	SF	7,40	1/2	2 15/16	3/32	2 1/4	2 1/16	9/32	15,0	PHP 2-C70-SF
				7,5	D-1	SF	7,90	1/2	2 15/16	3/32	2 1/4	2 1/16	9/32	17,0	PHP 2-C75-SF
				8,0	D-1	SF	8,40	1/2	2 15/16	3/32	2 1/4	2 1/16	9/32	18,0	PHP 2-C80-SF
				8,5	D-2	SF	8,90	1/2	2 15/16	3/32	2 1/4	2 1/16	9/32	19,0	PHP 2-C85-SF
9,0	D-2			SF	9,40	1/2	2 15/16	3/32	2 1/4	2 1/16	9/32	20,0	PHP 2-C90-SF		
9,5	D-2			SF	9,90	1/2	2 15/16	3/32	2 1/4	2 1/16	9/32	21,0	PHP 2-C95-SF		
10,0	D-3			SF	10,40	1/2	2 15/16	3/32	2 1/4	2 1/16	9/32	22,0	PHP 2-C100-SF		
10,5	D-3			SF	10,90	1/2	2 15/16	3/32	2 1/4	2 1/16	9/32	23,0	PHP 2-C105-SF		
11,0	D-3			SF	11,40	1/2	2 15/16	3/32	2 1/4	2 1/16	9/32	24,0	PHP 2-C110-SF		
12,0	D-3			SF	12,40	1/2	2 15/16	11/32	2 1/4	2 1/16	17/32	25,0	PHP 2-C120-SF		
13,0	D-3			SF	13,40	1/2	2 15/16	11/32	2 1/4	2 1/16	17/32	28,0	PHP 2-C130-SF		
14,0	D-3			SF	14,40	1/2	2 15/16	11/32	2 1/4	2 1/16	17/32	31,0	PHP 2-C140-SF		
16,0	D-3			SF	16,40	1/2	2 15/16	11/32	2 1/4	2 1/16	17/32	36,0	PHP 2-C160-SF		
18,0	D-3			SF	18,40	1/2	2 15/16	11/32	2 1/4	2 1/16	17/32	39,0	PHP 2-C180-SF		
20,0	D-3			SF	20,40	1/2	2 15/16	11/32	2 1/4	2 1/16	17/32	48,0	PHP 2-C200-SF		
24,0	D-3			SF	24,40	1/2	2 15/16	11/32	2 1/4	2 1/16	17/32	60,0	PHP 2-C240-SF		
30,0	C-3			F	30,40	1	4	1 7/32	2 1/4	3 3/4	9/32	85,0	PHP 2-C300-F		
C	3			5,0	A-1	SD	5,40	1/2	2	19/32	3 1/4	1 13/16	27/32	10,0	PHP 3-C50-SD
				5,5	A-1	SD	5,90	1/2	2	19/32	3 1/4	1 13/16	27/32	12,0	PHP 3-C55-SD
				6,0	D-1	SF	6,40	1/2	2 15/16	23/32	3 1/4	2 1/16	1 29/32	15,0	PHP 3-C60-SF
		7,0	A-1	SF	7,40	1/2	2 15/16	13/32	3 1/4	2 1/16	25/32	18,0	PHP 3-C70-SF		
		7,5	A-1	SF	7,90	1/2	2 15/16	13/32	3 1/4	2 1/16	25/32	20,0	PHP 3-C75-SF		
		8,0	B-1	E	8,40	7/8	3 1/2	17/32	3 1/4	2 3/4	1/32	26,0	PHP 3-C80-E		
		8,5	B-1	E	8,90	7/8	3 1/2	17/32	3 1/4	2 3/4	1/32	29,0	PHP 3-C85-E		
		9,0	A-1	E	9,40	7/8	3 1/2	15/32	3 1/4	2 3/4	1/32	32,0	PHP 3-C90-E		
		9,5	A-2	E	9,90	7/8	3 1/2	15/32	3 1/4	2 3/4	1/32	34,0	PHP 3-C95-E		
		10,0	A-2	E	10,40	7/8	3 1/2	15/32	3 1/4	2 3/4	1/32	36,0	PHP 3-C100-E		
		10,5	A-3	E	10,90	7/8	3 1/2	15/32	3 1/4	2 3/4	1/32	38,0	PHP 3-C105-E		
		11,0	A-3	E	11,40	7/8	3 1/2	15/32	3 1/4	2 3/4	1/32	40,0	PHP 3-C110-E		
		12,0	A-3	E	12,40	7/8	3 1/2	15/32	3 1/4	2 3/4	1/32	43,0	PHP 3-C120-E		
		13,0	A-3	E	13,40	7/8	3 1/2	15/32	3 1/4	2 3/4	1/32	45,0	PHP 3-C130-E		
		14,0	A-3	E	14,40	7/8	3 1/2	15/32	3 1/4	2 3/4	1/32	51,0	PHP 3-C140-E		
		16,0	A-3	E	16,40	7/8	3 1/2	15/32	3 1/4	2 3/4	1/32	59,0	PHP 3-C160-E		
		18,0	A-3	E	18,40	7/8	3 1/2	15/32	3 1/4	2 3/4	1/32	65,0	PHP 3-C180-E		
		20,0	D-3	E	20,40	7/8	3 1/2	7/32	3 1/4	2 3/4	23/32	70,0	PHP 3-C200-E		
		24,0	D-3	E	24,40	7/8	3 1/2	7/32	3 1/4	2 3/4	23/32	80,0	PHP 3-C240-E		
		27,0	D-3	F	27,40	1	4	23/32	3 1/4	3 3/4	5/32	105,0	PHP 3-C270-F		

¹⁾ Please, note that 1 in pulley type stands for solid version, 2 for web version and 3 for arm/spoke version.

²⁾ Mass does not include bushings.

Classical V-belt pulleys

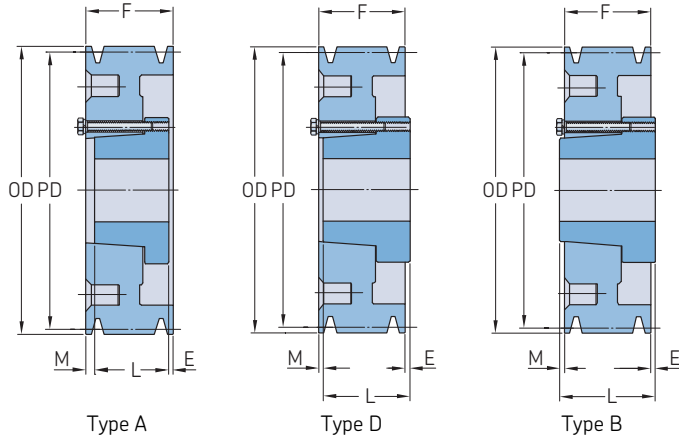
C QD bushed

Section	Number of grooves	Pitch diameter PD	Pulley type ¹⁾	Bushing number	Dimensions						Mass ²⁾	Designation			
					Outer diameter OD	Bore Min.	Max.	E	F	L			M		
-	-	in.	-	-	in.							lbs.	-		
C	3	30,0	D-3	F	30,40	1	4	21/32	3 1/4	3 3/4	5/32	120,0	PHP 3-C300-F		
		36,0	D-3	F	36,40	1	4	21/32	3 1/4	3 3/4	5/32	140,0	PHP 3-C360-F		
		44,0	D-3	F	44,40	1	4	21/32	3 1/4	3 3/4	5/32	170,0	PHP 3-C440-F		
		50,0	D-3	F	50,40	1	4	21/32	3 1/4	3 3/4	5/32	190,0	PHP 3-C500-F		
C	4	5,0	A-1	SD	5,40	1/2	2	27/32	4 1/4	1 13/16	1 19/32	12,0	PHP 4-C50-SD		
		5,5	A-1	SD	5,90	1/2	2	27/32	4 1/4	1 13/16	1 19/32	14,0	PHP 4-C55-SD		
		6,0	A-1	SF	6,40	1/2	2 25/16	21/32	4 1/4	2 1/16	1 17/32	17,0	PHP 4-C60-SF		
		7,0	A-1	SF	7,40	1/2	2 25/16	21/32	4 1/4	2 1/16	1 17/32	21,0	PHP 4-C70-SF		
		7,5	A-1	SF	7,90	1/2	2 25/16	21/32	4 1/4	2 1/16	1 17/32	25,0	PHP 4-C75-SF		
		8,0	A-1	E	8,40	7/8	3 1/2	25/32	4 1/4	2 3/4	23/32	30,0	PHP 4-C80-E		
		8,5	A-1	E	8,90	7/8	3 1/2	25/32	4 1/4	2 3/4	23/32	33,0	PHP 4-C85-E		
		9,0	A-1	E	9,40	7/8	3 1/2	25/32	4 1/4	2 3/4	23/32	35,0	PHP 4-C90-E		
		9,5	A-2	E	9,90	7/8	3 1/2	25/32	4 1/4	2 3/4	23/32	38,0	PHP 4-C95-E		
		10,0	A-2	E	10,40	7/8	3 1/2	25/32	4 1/4	2 3/4	23/32	40,0	PHP 4-C100-E		
		10,5	A-2	E	10,90	7/8	3 1/2	25/32	4 1/4	2 3/4	23/32	43,0	PHP 4-C105-E		
		11,0	A-2	E	11,40	7/8	3 1/2	25/32	4 1/4	2 3/4	23/32	46,0	PHP 4-C110-E		
		12,0	A-3	E	12,40	7/8	3 1/2	25/32	4 1/4	2 3/4	23/32	50,0	PHP 4-C120-E		
		13,0	A-3	E	13,40	7/8	3 1/2	25/32	4 1/4	2 3/4	23/32	54,0	PHP 4-C130-E		
		14,0	A-3	E	14,40	7/8	3 1/2	25/32	4 1/4	2 3/4	23/32	59,0	PHP 4-C140-E		
		16,0	A-3	E	16,40	7/8	3 1/2	25/32	4 1/4	2 3/4	23/32	65,0	PHP 4-C160-E		
		18,0	A-3	E	18,40	7/8	3 1/2	25/32	4 1/4	2 3/4	23/32	73,0	PHP 4-C180-E		
		20,0	A-3	E	20,40	7/8	3 1/2	9/32	4 1/4	2 3/4	1 7/32	82,0	PHP 4-C200-E		
		24,0	D-3	F	24,40	1	4	3/32	4 1/4	3 3/4	19/32	105,0	PHP 4-C240-F		
		27,0	D-3	F	27,40	1	4	3/32	4 1/4	3 3/4	19/32	125,0	PHP 4-C270-F		
		30,0	D-3	F	30,40	1	4	3/32	4 1/4	3 3/4	19/32	142,0	PHP 4-C300-F		
		36,0	D-3	F	36,40	1	4	3/32	4 1/4	3 3/4	19/32	172,0	PHP 4-C360-F		
		44,0	C-3	J	44,40	1 1/2	4 1/2	-	4 1/4	4 5/8	3/8	225,0	PHP 4-C440-J		
		50,0	C-3	J	50,40	1 1/2	4 1/2	-	4 1/4	4 5/8	3/8	260,0	PHP 4-C500-J		
		C	5	6,0	A-1	SF	6,40	1/2	2 25/16	1 1/32	5 1/4	2 1/16	2 5/32	21,0	PHP 5-C60-SF
				7,0	A-1	SF	7,40	1/2	2 25/16	1 1/32	5 1/4	2 1/16	2 5/32	26,0	PHP 5-C70-SF
				7,5	A-1	SF	7,90	1/2	2 25/16	1 1/32	5 1/4	2 1/16	2 5/32	28,0	PHP 5-C75-SF
				8,0	A-1	E	8,40	7/8	3 1/2	1 5/32	5 1/4	2 3/4	1 11/32	33,0	PHP 5-C80-E
				8,5	A-1	E	8,90	7/8	3 1/2	1 5/32	5 1/4	2 3/4	1 11/32	37,0	PHP 5-C85-E
				9,0	A-1	E	9,40	7/8	3 1/2	1 5/32	5 1/4	2 3/4	1 11/32	40,0	PHP 5-C90-E
				9,5	A-2	E	9,90	7/8	3 1/2	1 5/32	5 1/4	2 3/4	1 11/32	42,0	PHP 5-C95-E
				10,0	A-2	E	10,40	7/8	3 1/2	1 5/32	5 1/4	2 3/4	1 11/32	45,0	PHP 5-C100-E
10,5	A-2			E	10,90	7/8	3 1/2	1 5/32	5 1/4	2 3/4	1 11/32	47,0	PHP 5-C105-E		
11,0	A-2			E	11,40	7/8	3 1/2	1 5/32	5 1/4	2 3/4	1 11/32	50,0	PHP 5-C110-E		
12,0	A-2			E	12,40	7/8	3 1/2	1 5/32	5 1/4	2 3/4	1 11/32	53,0	PHP 5-C120-E		
13,0	A-3			E	13,40	7/8	3 1/2	1 5/32	5 1/4	2 3/4	1 11/32	58,0	PHP 5-C130-E		
14,0	A-3			E	14,40	7/8	3 1/2	1 5/32	5 1/4	2 3/4	1 11/32	64,0	PHP 5-C140-E		
16,0	A-3			E	16,40	7/8	3 1/2	1 5/32	5 1/4	2 3/4	1 11/32	73,0	PHP 5-C160-E		
18,0	A-3			E	18,40	7/8	3 1/2	1 5/32	5 1/4	2 3/4	1 11/32	85,0	PHP 5-C180-E		
20,0	D-3			F	20,40	1	4	3/32	5 1/4	3 3/4	1 19/32	98,0	PHP 5-C200-F		
24,0	D-3			F	24,40	1	4	3/32	5 1/4	3 3/4	1 19/32	119,0	PHP 5-C240-F		
27,0	D-3			F	27,40	1	4	3/32	5 1/4	3 3/4	1 19/32	153,0	PHP 5-C270-F		
30,0	D-3			F	30,40	1	4	3/32	5 1/4	3 3/4	1 19/32	174,0	PHP 5-C300-F		
36,0	A-3			J	36,40	1 1/2	4 1/2	1/16	5 1/4	4 5/8	9/16	206,0	PHP 5-C360-J		
44,0	A-3			J	44,40	1 1/2	4 1/2	1/16	5 1/4	4 5/8	9/16	254,0	PHP 5-C440-J		
50,0	A-3			J	50,40	1 1/2	4 1/2	1/16	5 1/4	4 5/8	9/16	274,0	PHP 5-C500-J		
C	6			6,0	A-1	SF	6,40	1/2	2 25/16	1 1/32	6 1/4	2 1/16	3 5/32	20,0	PHP 6-C60-SF
				7,0	A-1	SF	7,40	1/2	2 25/16	1 1/32	6 1/4	2 1/16	3 5/32	26,0	PHP 6-C70-SF
		7,5	A-1	SF	7,90	1/2	2 25/16	1 1/32	6 1/4	2 1/16	3 5/32	29,0	PHP 6-C75-SF		
		8,0	A-1	E	8,40	7/8	3 1/2	1 5/32	6 1/4	2 3/4	2 11/32	36,0	PHP 6-C80-E		
		8,5	A-1	E	8,90	7/8	3 1/2	1 5/32	6 1/4	2 3/4	2 11/32	39,0	PHP 6-C85-E		
		9,0	A-1	F	9,40	1	4	1 1/32	6 1/4	3 3/4	1 15/32	51,0	PHP 6-C90-F		
		9,5	A-1	F	9,90	1	4	1 1/32	6 1/4	3 3/4	1 15/32	55,0	PHP 6-C95-F		
		10,0	A-1	F	10,40	1	4	1 1/32	6 1/4	3 3/4	1 15/32	59,0	PHP 6-C100-F		
		10,5	A-2	F	10,90	1	4	1 1/32	6 1/4	3 3/4	1 15/32	62,0	PHP 6-C105-F		
		11,0	A-2	F	11,40	1	4	1 1/32	6 1/4	3 3/4	1 15/32	66,0	PHP 6-C110-F		
		12,0	A-2	F	12,40	1	4	1 1/32	6 1/4	3 3/4	1 15/32	70,0	PHP 6-C120-F		
		13,0	A-3	F	13,40	1	4	1 1/32	6 1/4	3 3/4	1 15/32	74,0	PHP 6-C130-F		
		14,0	A-3	F	14,40	1	4	1 1/32	6 1/4	3 3/4	1 15/32	80,0	PHP 6-C140-F		
		16,0	A-3	F	16,40	1	4	1 1/32	6 1/4	3 3/4	1 15/32	89,0	PHP 6-C160-F		
		18,0	A-3	F	18,40	1	4	1 1/32	6 1/4	3 3/4	1 15/32	102,0	PHP 6-C180-F		
		20,0	A-3	F	20,40	1	4	17/32	6 1/4	3 3/4	1 31/32	112,0	PHP 6-C200-F		
		24,0	A-3	F	24,40	1	4	17/32	6 1/4	3 3/4	1 31/32	131,0	PHP 6-C240-F		
		27,0	A-3	J	27,40	1 1/2	4 1/2	1/16	6 1/4	4 5/8	1 9/16	160,0	PHP 6-C270-J		
		30,0	A-3	J	30,40	1 1/2	4 1/2	1/16	6 1/4	4 5/8	1 9/16	190,0	PHP 6-C300-J		
		36,0	A-3	J	36,40	1 1/2	4 1/2	1/16	6 1/4	4 5/8	1 9/16	232,0	PHP 6-C360-J		
		44,0	A-3	J	44,40	1 1/2	4 1/2	1/16	6 1/4	4 5/8	1 9/16	299,0	PHP 6-C440-J		
		50,0	B-3	M	50,40	2	5 1/2	7/32	6 1/4	6 3/4	23/32	320,0	PHP 6-C500-M		

¹⁾ Please, note that 1 in pulley type stands for solid version, 2 for web version and 3 for arm/spoke version.

²⁾ Mass does not include bushings.

Classical V-belt pulleys
C QD bushed | D QD bushed



Section	Number of grooves	Pitch diameter PD	Pulley type ¹⁾	Bushing number	Dimensions							Mass ²⁾	Designation		
					Outer diameter OD	Bore Min.	Max.	E	F	L	M				
		in.			in.							lbs.			
C	8	8,0	A-1	E	8,40	7/8	3 1/2	2 1/32	8 1/4	2 3/4	3 15/32	43,0	PHP 8-C80-E		
		8,5	A-1	F	8,90	7/8	3 1/2	3 1/32	8 1/4	2 3/4	3 15/32	48,0	PHP 8-C85-E		
		9,0	A-1	F	9,40	1	4	1 29/32	8 1/4	3 3/4	2 19/32	60,0	PHP 8-C90-F		
		9,5	A-1	F	9,90	1	4	1 29/32	8 1/4	3 3/4	2 19/32	65,0	PHP 8-C95-F		
		10,0	A-1	F	10,40	1	4	1 29/32	8 1/4	3 3/4	2 19/32	69,0	PHP 8-C100-F		
		10,5	A-2	F	10,90	1	4	1 29/32	8 1/4	3 3/4	2 19/32	73,0	PHP 8-C105-F		
		11,0	A-2	F	11,40	1	4	1 29/32	8 1/4	3 3/4	2 19/32	78,0	PHP 8-C110-F		
		12,0	A-3	F	12,40	1	4	1 29/32	8 1/4	3 3/4	2 19/32	83,0	PHP 8-C120-F		
		13,0	A-3	F	13,40	1	4	1 29/32	8 1/4	3 3/4	2 19/32	89,0	PHP 8-C130-F		
		14,0	A-3	F	14,40	1	4	1 29/32	8 1/4	3 3/4	2 19/32	97,0	PHP 8-C140-F		
		16,0	A-3	F	16,40	1	4	1 29/32	8 1/4	3 3/4	2 19/32	113,0	PHP 8-C160-F		
		18,0	A-3	F	18,40	1	4	1 29/32	8 1/4	3 3/4	2 19/32	131,0	PHP 8-C180-F		
		20,0	A-3	J	20,40	1 1/2	4 1/2	1/16	8 1/4	4 5/8	3 9/16	152,0	PHP 8-C200-J		
		24,0	A-3	J	24,40	1 1/2	4 1/2	1/16	8 1/4	4 5/8	3 9/16	185,0	PHP 8-C240-J		
		27,0	A-3	J	27,40	1 1/2	4 1/2	1/16	8 1/4	4 5/8	3 9/16	208,0	PHP 8-C270-J		
		30,0	A-3	J	30,40	1 1/2	4 1/2	1/16	8 1/4	4 5/8	3 9/16	230,0	PHP 8-C300-J		
		36,0	A-3	M	36,40	2	5 1/2	9/32	8 1/4	6 3/4	1 7/32	306,0	PHP 8-C360-M		
		44,0	A-3	M	44,40	2	5 1/2	9/32	8 1/4	6 3/4	1 7/32	400,0	PHP 8-C440-M		
		50,0	A-3	M	50,40	2	5 1/2	9/32	8 1/4	6 3/4	1 7/32	475,0	PHP 8-C500-M		
		D	3	12,0	A-2	F	12,64	1	4	5/32	4 5/8	3 3/4	23/32	70,0	PHP 3-D120-F
13,0	A-2			F	13,64	1	4	5/32	4 5/8	3 3/4	23/32	76,0	PHP 3-D130-F		
13,5	A-2			F	14,14	1	4	5/32	4 5/8	3 3/4	23/32	79,0	PHP 3-D135-F		
14,0	A-2			F	14,64	1	4	5/32	4 5/8	3 3/4	23/32	82,0	PHP 3-D140-F		
14,5	A-3			F	15,14	1	4	5/32	4 5/8	3 3/4	23/32	85,0	PHP 3-D145-F		
15,0	A-3			F	15,64	1	4	5/32	4 5/8	3 3/4	23/32	89,0	PHP 3-D150-F		
15,5	A-3			F	16,14	1	4	5/32	4 5/8	3 3/4	23/32	92,0	PHP 3-D155-F		
16,0	A-3			F	16,64	1	4	5/32	4 5/8	3 3/4	23/32	96,0	PHP 3-D160-F		
18,0	D-3			J	18,64	1 1/2	4 1/2	1/4	4 5/8	4 5/8	1/4	110,0	PHP 3-D180-J		
20,0	D-3			J	20,64	1 1/2	4 1/2	1/4	4 5/8	4 5/8	1/4	120,0	PHP 3-D200-J		
22,0	D-3			J	22,64	1 1/2	4 1/2	1/4	4 5/8	4 5/8	1/4	130,0	PHP 3-D220-J		
27,0	D-3			J	27,64	1 1/2	4 1/2	1/4	4 5/8	4 5/8	1/4	173,0	PHP 3-D270-J		
33,0	D-3			J	33,64	1 1/2	4 1/2	1/4	4 5/8	4 5/8	1/4	240,0	PHP 3-D330-J		
40,0	D-3			J	40,64	1 1/2	4 1/2	1/4	4 5/8	4 5/8	1/4	300,0	PHP 3-D440-J		
D	4			12,0	A-2	F	12,64	1	4	31/32	6 1/16	3 3/4	1 11/32	83,0	PHP 4-D120-F
				13,0	A-2	F	13,64	1	4	31/32	6 1/16	3 3/4	1 11/32	86,0	PHP 4-D130-F
		13,5	A-2	F	14,14	1	4	31/32	6 1/16	3 3/4	1 11/32	89,0	PHP 4-D135-F		
		14,0	A-2	F	14,64	1	4	31/32	6 1/16	3 3/4	1 11/32	92,0	PHP 4-D140-F		
		14,5	A-3	F	15,14	1	4	31/32	6 1/16	3 3/4	1 11/32	95,0	PHP 4-D145-F		
		15,0	A-3	F	15,64	1	4	31/32	6 1/16	3 3/4	1 11/32	99,0	PHP 4-D150-F		
		15,5	A-3	F	16,14	1	4	31/32	6 1/16	3 3/4	1 11/32	102,0	PHP 4-D155-F		
		16,0	A-3	F	16,64	1	4	31/32	6 1/16	3 3/4	1 11/32	106,0	PHP 4-D160-F		
		18,0	A-3	J	18,64	1 1/2	4 1/2	1/8	6 1/16	4 5/8	1 5/16	120,0	PHP 4-D180-J		
		20,0	A-3	J	20,64	1 1/2	4 1/2	1/8	6 1/16	4 5/8	1 5/16	132,0	PHP 4-D200-J		
		22,0	A-3	J	22,64	1 1/2	4 1/2	1/8	6 1/16	4 5/8	1 5/16	155,0	PHP 4-D220-J		
		27,0	A-3	J	27,64	1 1/2	4 1/2	1/8	6 1/16	4 5/8	1 5/16	193,0	PHP 4-D270-J		
		33,0	B-3	M	33,64	2	5 1/2	11/32	6 1/16	6 3/4	1 1/32	280,0	PHP 4-D330-M		
		40,0	B-3	M	40,64	2	5 1/2	11/32	6 1/16	6 3/4	1 1/32	348,0	PHP 4-D440-M		
		48,0	B-3	M	48,64	2	5 1/2	11/32	6 1/16	6 3/4	1 1/32	380,0	PHP 4-D480-M		
		58,0	B-3	M	58,64	2	5 1/2	11/32	6 1/16	6 3/4	1 1/32	420,0	PHP 4-D580-M		
D	5	12,0	A-2	F	12,64	1	4	1 23/32	7 1/2	3 3/4	2 1/32	93,0	PHP 5-D120-F		
		13,0	A-2	F	13,64	1	4	1 23/32	7 1/2	3 3/4	2 1/32	96,0	PHP 5-D130-F		
		13,5	A-2	F	14,14	1	4	1 23/32	7 1/2	3 3/4	2 1/32	102,0	PHP 5-D135-F		
		14,0	A-2	F	14,64	1	4	1 23/32	7 1/2	3 3/4	2 1/32	106,0	PHP 5-D140-F		
		14,0	A-2	F	14,64	1	4	1 23/32	7 1/2	3 3/4	2 1/32	106,0	PHP 5-D145-F		

¹⁾ Please, note that 1 in pulley type stands for solid version, 2 for web version and 3 for arm/spoke version.
²⁾ Mass does not include bushings.

Classical V-belt pulleys

D QD bushed

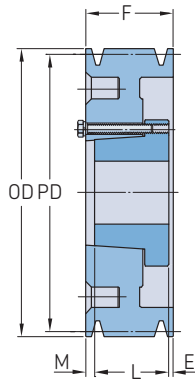
Section	Number of grooves	Pitch diameter PD	Pulley type ¹⁾	Bushing number	Dimensions						Mass ²⁾	Designation		
					Outer diameter OD	Bore Min.	Max.	E	F	L			M	
		in.			in.							lbs.		
D	5	14,5	A-3	F	15,14	1	4	1 23/32	7 1/2	3 3/4	2 1/32	112,0	PHP 5-D145-F	
		15,0	A-3	F	15,64	1	4	1 23/32	7 1/2	3 3/4	2 1/32	120,0	PHP 5-D150-F	
		15,5	A-3	F	16,14	1	4	1 23/32	7 1/2	3 3/4	2 1/32	125,0	PHP 5-D155-F	
		16,0	A-3	F	16,64	1	4	1 23/32	7 1/2	3 3/4	2 1/32	130,0	PHP 5-D160-F	
		18,0	A-3	J	18,64	1 1/2	4 1/2	1 7/8	7 1/2	4 5/8	1	150,0	PHP 5-D180-J	
	20,0	A-3	J	20,64	1 1/2	4 1/2	1 7/8	7 1/2	4 5/8	2 3/4	160,0	PHP 5-D200-J		
	22,0	A-3	J	22,64	1 1/2	4 1/2	1 7/8	7 1/2	4 5/8	2 3/4	190,0	PHP 5-D220-J		
	27,0	A-3	M	27,64	2	5 1/2	1 11/32	7 1/2	6 3/4	1 13/32	260,0	PHP 5-D270-M		
	33,0	A-3	M	33,64	2	5 1/2	1 11/32	7 1/2	6 3/4	1 13/32	320,0	PHP 5-D330-M		
	40,0	A-3	M	40,64	2	5 1/2	1 11/32	7 1/2	6 3/4	1 13/32	390,0	PHP 5-D400-M		
	48,0	A-3	M	48,64	2	5 1/2	1 11/32	7 1/2	6 3/4	1 13/32	450,0	PHP 5-D480-M		
	58,0	A-3	M	58,64	2	5 1/2	1 11/32	7 1/2	6 3/4	1 13/32	500,0	PHP 5-D580-M		
	D	6	12,0	A-1	J	12,64	1 1/2	4 1/2	1 7/8	8 15/16	4 5/8	2 7/16	115,0	PHP 6-D120-J
			13,0	A-2	J	13,64	1 1/2	4 1/2	1 7/8	8 15/16	4 5/8	2 7/16	125,0	PHP 6-D130-J
			13,5	A-2	J	14,14	1 1/2	4 1/2	1 7/8	8 15/16	4 5/8	2 7/16	135,0	PHP 6-D135-J
			14,0	A-2	J	14,64	1 1/2	4 1/2	1 7/8	8 15/16	4 5/8	2 7/16	145,0	PHP 6-D140-J
14,5			A-2	J	15,14	1 1/2	4 1/2	1 7/8	8 15/16	4 5/8	2 7/16	150,0	PHP 6-D145-J	
15,0		A-2	J	15,64	1 1/2	4 1/2	1 7/8	8 15/16	4 5/8	2 7/16	160,0	PHP 6-D150-J		
15,5		A-3	J	16,14	1 1/2	4 1/2	1 7/8	8 15/16	4 5/8	2 7/16	165,0	PHP 6-D155-J		
16,0		A-3	J	16,64	1 1/2	4 1/2	1 7/8	8 15/16	4 5/8	2 7/16	170,0	PHP 6-D160-J		
18,0		A-3	J	18,64	1 1/2	4 1/2	1 7/8	8 15/16	4 5/8	2 7/16	180,0	PHP 6-D180-J		
20,0		A-3	J	20,64	1 1/2	4 1/2	1 7/8	8 15/16	4 5/8	2 7/16	215,0	PHP 6-D200-J		
22,0		A-3	M	22,64	2	5 1/2	1 11/32	8 15/16	6 3/4	1 11/16	250,0	PHP 6-D220-M		
27,0		A-3	M	27,64	2	5 1/2	1 11/32	8 15/16	6 3/4	1 11/16	300,0	PHP 6-D270-M		
33,0		A-3	M	33,64	2	5 1/2	1 11/32	8 15/16	6 3/4	1 11/16	360,0	PHP 6-D330-M		
40,0		A-3	M	40,64	2	5 1/2	1 11/32	8 15/16	6 3/4	1 11/16	440,0	PHP 6-D400-M		
48,0		A-3	M	48,64	2	5 1/2	1 11/32	8 15/16	6 3/4	1 11/16	560,0	PHP 6-D480-M		
58,0		A-3	N	58,64	2 7/16	5 7/8	3/16	8 15/16	8 1/8	5/8	660,0	PHP 6-D580-N		
D	8	12,0	A-1	J	12,64	1 1/2	4 1/2	2 3/8	11 13/16	4 5/8	5 1/16	140,0	PHP 8-D120-J	
		13,0	A-2	J	13,64	1 1/2	4 1/2	2 3/8	11 13/16	4 5/8	5 1/16	150,0	PHP 8-D130-J	
		13,5	A-2	J	14,14	1 1/2	4 1/2	2 3/8	11 13/16	4 5/8	5 1/16	160,0	PHP 8-D135-J	
		14,0	A-2	J	14,64	1 1/2	4 1/2	2 3/8	11 13/16	4 5/8	5 1/16	170,0	PHP 8-D140-J	
		14,5	A-2	J	15,14	1 1/2	4 1/2	2 3/8	11 13/16	4 5/8	5 1/16	178,0	PHP 8-D145-J	
	15,0	A-2	J	15,64	1 1/2	4 1/2	2 3/8	11 13/16	4 5/8	5 1/16	182,0	PHP 8-D150-J		
	15,5	A-2	J	16,14	1 1/2	4 1/2	2 3/8	11 13/16	4 5/8	5 1/16	190,0	PHP 8-D155-J		
	16,0	A-2	J	16,64	1 1/2	4 1/2	2 3/8	11 13/16	4 5/8	5 1/16	201,0	PHP 8-D160-J		
	18,0	A-3	M	18,64	2	5 1/2	2 11/32	11 13/16	6 3/4	2 23/32	260,0	PHP 8-D180-M		
	20,0	A-3	M	20,64	2	5 1/2	2 11/32	11 13/16	6 3/4	2 23/32	270,0	PHP 8-D200-M		
	22,0	A-3	M	22,64	2	5 1/2	1 11/32	11 13/16	6 3/4	4 23/32	300,0	PHP 8-D220-M		
	27,0	A-3	M	27,64	2	5 1/2	1 11/32	11 13/16	6 3/4	4 23/32	350,0	PHP 8-D270-M		
	33,0	A-3	M	33,64	2	5 1/2	1 11/32	11 13/16	6 3/4	4 23/32	450,0	PHP 8-D330-M		
	40,0	A-3	N	40,64	2 7/16	5 7/8	3/16	11 13/16	8 1/8	3 1/2	550,0	PHP 8-D400-N		
	48,0	A-3	N	48,64	2 7/16	5 7/8	3/16	11 13/16	8 1/8	3 1/2	720,0	PHP 8-D480-N		
	58,0	A-3	N	58,64	2 7/16	5 7/8	3/16	11 13/16	8 1/8	3 1/2	900,0	PHP 8-D580-N		
D	10	12,0	A-1	M	12,64	2	5 1/2	2 11/32	14 11/16	6 3/4	5 19/23	190,0	PHP 10-D120-M	
		13,0	A-1	M	13,64	2	5 1/2	2 11/32	14 11/16	6 3/4	5 19/23	220,0	PHP 10-D130-M	
		13,5	A-1	M	14,14	2	5 1/2	2 11/32	14 11/16	6 3/4	5 19/23	240,0	PHP 10-D135-M	
		14,0	A-1	M	14,64	2	5 1/2	2 11/32	14 11/16	6 3/4	5 19/23	250,0	PHP 10-D140-M	
		14,5	A-2	M	15,14	2	5 1/2	2 11/32	14 11/16	6 3/4	5 19/23	260,0	PHP 10-D145-M	
	15,0	A-2	M	15,64	2	5 1/2	2 11/32	14 11/16	6 3/4	5 19/23	270,0	PHP 10-D150-M		
	15,5	A-2	M	16,14	2	5 1/2	2 11/32	14 11/16	6 3/4	5 19/23	280,0	PHP 10-D155-M		
	16,0	A-2	M	16,64	2	5 1/2	2 11/32	14 11/16	6 3/4	5 19/23	290,0	PHP 10-D160-M		
	18,0	A-2	M	18,64	2	5 1/2	2 11/32	14 11/16	6 3/4	5 19/23	310,0	PHP 10-D180-M		
	20,0	A-2	M	20,64	2	5 1/2	2 11/32	14 11/16	6 3/4	5 19/23	330,0	PHP 10-D200-M		
	22,0	A-3	M	22,64	2	5 1/2	2 11/32	14 11/16	6 3/4	6 19/23	350,0	PHP 10-D220-M		
	27,0	A-3	M	27,64	2	5 1/2	2 11/32	14 11/16	6 3/4	6 19/23	440,0	PHP 10-D270-M		
	33,0	A-3	N	33,64	2 7/16	5 7/8	1 3/16	14 11/16	8 1/8	5 5/8	500,0	PHP 10-D330-N		
	40,0	A-3	N	40,64	2 7/16	5 7/8	1 3/16	14 11/16	8 1/8	5 5/8	650,0	PHP 10-D400-N		
	48,0	A-3	P	48,64	2 15/16	7	1/4	14 11/16	9 3/8	5 1/16	920,0	PHP 10-D480-P		
	58,0	A-3	P	58,64	2 15/16	7	1/4	14 11/16	9 3/8	5 1/16	1 100,0	PHP 10-D580-P		
D	12	12,0	A-1	M	12,64	2	5 1/2	3 11/32	17 9/16	6 3/4	7 15/32	220,0	PHP 12-D120-M	
		13,0	A-1	M	13,64	2	5 1/2	3 11/32	17 9/16	6 3/4	7 15/32	250,0	PHP 12-D130-M	
		13,5	A-1	M	14,14	2	5 1/2	3 11/32	17 9/16	6 3/4	7 15/32	270,0	PHP 12-D135-M	
		14,0	A-1	M	14,64	2	5 1/2	3 11/32	17 9/16	6 3/4	7 15/32	280,0	PHP 12-D140-M	
		14,5	A-1	M	15,14	2	5 1/2	3 11/32	17 9/16	6 3/4	7 15/32	300,0	PHP 12-D145-M	
	15,0	A-2	M	15,64	2	5 1/2	3 11/32	17 9/16	6 3/4	7 15/32	305,0	PHP 12-D150-M		
	15,5	A-1	M	16,14	2	5 1/2	3 11/32	17 9/16	6 3/4	7 15/32	310,0	PHP 12-D155-M		
	16,0	A-2	M	16,64	2	5 1/2	3 11/32	17 9/16	6 3/4	7 15/32	320,0	PHP 12-D160-M		
	18,0	A-2	M	18,64	2	5 1/2	3 11/32	17 9/16	6 3/4	7 15/32	340,0	PHP 12-D180-M		
	20,0	A-2	M	20,64	2	5 1/2	3 11/32	17 9/16	6 3/4	7 15/32	360,0	PHP 12-D200-M		
	22,0	A-3	M	22,64	2	5 1/2	2 11/32	17 9/16	6 3/4	8 15/32	400,0	PHP 12-D220-M		

¹⁾ Please, note that 1 in pulley type stands for solid version, 2 for web version and 3 for arm/spoke version.

²⁾ Mass does not include bushings.

Classical V-belt pulleys

D QD bushed



Type A

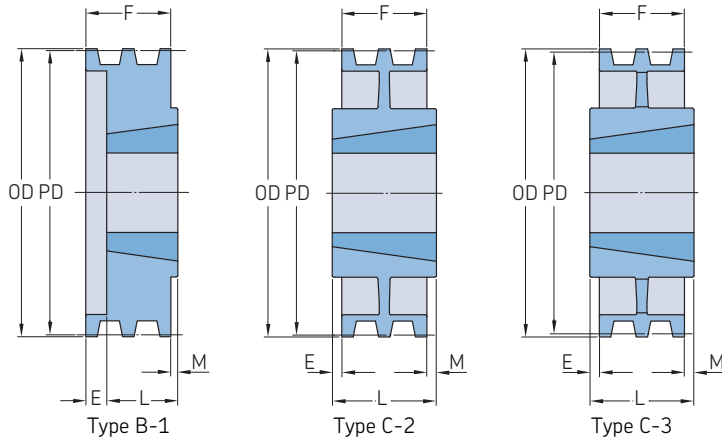
Section	Number of grooves	Pitch diameter PD	Pulley type ¹⁾	Bushing number	Dimensions						Mass ²⁾	Designation	
					Outer diameter OD	Bore Min.	Max.	E	F	L			M
-	-	in.	-	-	in.						lbs.	-	
D	12	27,0	A-3	N	27,64	2 7/16	5 7/8	2 3/16	17 9/16	8 1/8	7 1/4	520,0	PHP 12-D270-N
		33,0	A-3	N	33,64	2 7/16	5 7/8	2 5/16	17 9/16	8 1/8	7 1/4	665,0	PHP 12-D330-N
		40,0	A-3	P	40,64	2 15/16	7	1/4	17 9/16	9 3/8	7 15/16	870,0	PHP 12-D400-P
		48,0	A-3	P	48,64	2 15/16	7	1/4	17 9/16	9 3/8	7 15/16	1 090,0	PHP 12-D480-P
		58,0	A-3	P	58,64	2 15/16	7	1/4	17 9/16	9 3/8	7 15/16	1 300,0	PHP 12-D580-P

¹⁾ Please, note that 1 in pulley type stands for solid version, 2 for web version and 3 for arm/spoke version.

²⁾ Mass does not include bushings.

Narrow wedge belt pulleys

3V taper bushed



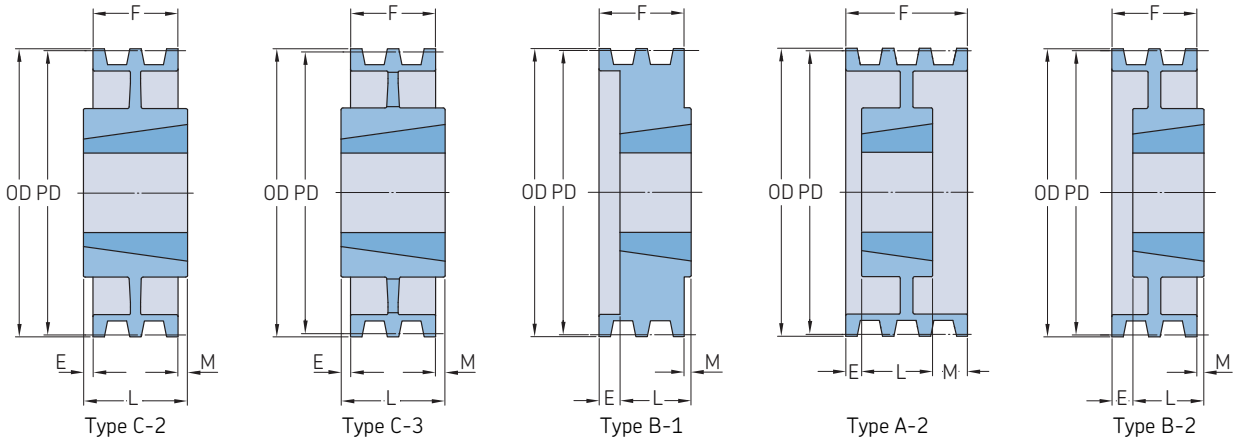
Section	Number of grooves	Pitch diameter PD	Pulley type	Bushing number	Dimensions						Mass ²⁾	Designation		
					Outer diameter OD	B Min.	Max.	F	E	L			M	
		in.			in.								lbs.	
3V	1	2,65	B-1	1108	2,60	3/8	1 1/8	1 1/16	7/32	7/8	1 3/32	0,75	PHP 1-3V265TB	
		2,80	B-1	1108	2,75	3/8	1 1/8	1 1/16	7/32	7/8	1 3/32	0,85	PHP 1-3V280TB	
		3,00	B-1	1108	2,95	3/8	1 1/8	1 1/16	7/32	7/8	1 3/32	1,00	PHP 1-3V300TB	
		3,15	B-1	1108	3,10	3/8	1 1/8	1 1/16	7/32	7/8	1 3/32	1,00	PHP 1-3V315TB	
		3,35	B-1	1610	3,30	1/2	1 5/8	1 1/16	3/32	1	1 3/32	1,10	PHP 1-3V335TB	
		3,65	B-1	1610	3,60	1/2	1 5/8	1 1/16	3/32	1	1 3/32	1,30	PHP 1-3V365TB	
		4,12	B-1	1610	4,07	1/2	1 5/8	1 1/16	3/32	1	1 3/32	2,00	PHP 1-3V412TB	
		4,50	B-1	1610	4,45	1/2	1 5/8	1 1/16	3/32	1	1 3/32	2,30	PHP 1-3V450TB	
		4,75	B-1	1610	4,70	1/2	1 5/8	1 1/16	3/32	1	1 3/32	2,60	PHP 1-3V475TB	
		5,00	B-1	1610	4,95	1/2	1 5/8	1 1/16	3/32	1	1 3/32	2,90	PHP 1-3V500TB	
		5,30	B-1	1610	5,25	1/2	1 5/8	1 1/16	3/32	1	1 3/32	3,30	PHP 1-3V530TB	
		5,60	B-1	1610	5,55	1/2	1 5/8	1 1/16	3/32	1	1 3/32	3,70	PHP 1-3V560TB	
		6,00	B-1	1610	5,95	1/2	1 5/8	1 1/16	3/32	1	1 3/32	4,20	PHP 1-3V600TB	
		6,50	B-1	1610	6,45	1/2	1 5/8	1 1/16	3/32	1	1 3/32	5,00	PHP 1-3V650TB	
		6,90	B-1	1610	6,85	1/2	1 5/8	1 1/16	3/32	1	1 3/32	5,60	PHP 1-3V690TB	
		8,00	C-2	2517 ¹⁾	7,95	3/4	2 1/2	1 1/16	-	1 3/4	1 3/32	8,50	PHP 1-3V800TB	
		10,60	C-2	2517 ¹⁾	10,55	3/4	2 1/2	1 1/16	-	1 3/4	1 3/32	14,00	PHP 1-3V1060TB	
		14,00	C-3	2517 ¹⁾	13,95	3/4	2 1/2	1 1/16	-	1 3/4	1 3/32	20,00	PHP 1-3V1400TB	
		19,00	C-3	3020	18,95	1 1/4	3	1 1/16	-	2	1 3/32	26,00	PHP 1-3V1900TB	
		3V	2	2,65	B-1	1108	2,60	3/8	1 1/8	1 3/32	7/32	7/8	-	0,75
2,80	B-1			1108	2,75	3/8	1 1/8	1 3/32	1/2	7/8	1 3/32	0,90	PHP 2-3V280TB	
3,00	B-1			1210	2,95	5/8	1 1/4	1 3/32	3/32	1	-	1,40	PHP 2-3V300TB	
3,15	B-1			1210	3,10	5/8	1 1/4	1 3/32	1/2	1	1 3/32	1,00	PHP 2-3V315TB	
3,35	B-1			1610	3,30	1/2	1 5/8	1 3/32	1/2	1	1 3/32	1,50	PHP 2-3V335TB	
3,65	B-1			1610	3,60	1/2	1 5/8	1 3/32	3/32	1	-	1,60	PHP 2-3V365TB	
4,12	B-1			1610	4,07	1/2	1 5/8	1 3/32	3/32	1	-	2,10	PHP 2-3V412TB	
4,50	B-1			1610	4,45	1/2	1 5/8	1 3/32	3/32	1	-	2,70	PHP 2-3V450TB	
4,75	B-1			1610	4,70	1/2	1 5/8	1 3/32	3/32	1	-	3,10	PHP 2-3V475TB	
5,00	B-1			1610	4,95	1/2	1 5/8	1 3/32	3/32	1	-	3,60	PHP 2-3V500TB	
5,30	B-1			1610	5,25	1/2	1 5/8	1 3/32	3/32	1	-	4,20	PHP 2-3V530TB	
5,60	B-1			1610	5,55	1/2	1 5/8	1 3/32	3/32	1	-	4,80	PHP 2-3V560TB	
6,00	B-1			1610	5,95	1/2	1 5/8	1 3/32	3/32	1	-	5,80	PHP 2-3V600TB	
6,50	B-1			1610	6,45	1/2	1 5/8	1 3/32	3/32	1	-	7,00	PHP 2-3V650TB	
6,90	B-1			1610	6,85	1/2	1 5/8	1 3/32	3/32	1	-	8,00	PHP 2-3V690TB	
8,00	C-2			2517 ¹⁾	7,95	3/4	2 1/2	1 3/32	-	1 3/4	2 1/32	11,00	PHP 2-3V800TB	
10,60	C-2			2517 ¹⁾	10,55	3/4	2 1/2	1 3/32	-	1 3/4	2 1/32	15,00	PHP 2-3V1060TB	
14,00	C-3			2517 ¹⁾	13,95	3/4	2 1/2	1 3/32	-	1 3/4	2 1/32	22,00	PHP 2-3V1400TB	
19,00	C-3			3020	18,95	1 1/4	3	1 3/32	1/8	2	2 1/32	32,00	PHP 2-3V1900TB	
25,00	C-3			3020	24,95	1 1/4	3	1 3/32	1/8	2	2 1/32	45,00	PHP 2-3V2500TB	
3V	3	2,80	B-1	1108	2,75	3/8	1 1/8	1 1/2	5/8	7/8	1 3/32	1,10	PHP 3-3V280TB	
		3,00	B-1	1210	2,95	5/8	1 1/4	1 1/2	2 1/32	1	-	1,80	PHP 3-3V300TB	
		3,15	B-1	1210	3,10	5/8	1 1/4	1 1/2	1/2	1	1 3/32	1,50	PHP 3-3V315TB	
		3,35	B-1	1610	3,30	1/2	1 5/8	1 1/2	2 1/32	1	1 3/32	1,80	PHP 3-3V335TB	
		3,65	B-1	1610	3,60	1/2	1 5/8	1 1/2	2 1/32	1	-	2,00	PHP 3-3V365TB	
		4,12	B-1	1610	4,07	1/2	1 5/8	1 1/2	1/2	1	-	2,60	PHP 3-3V412TB	
		4,50	B-1	1610	4,45	1/2	1 5/8	1 1/2	1/2	1	-	3,20	PHP 3-3V450TB	
		4,75	B-1	1610	4,70	1/2	1 5/8	1 1/2	1/2	1	-	3,70	PHP 3-3V475TB	
		5,00	B-1	1610	4,95	1/2	1 5/8	1 1/2	1/2	1	-	4,20	PHP 3-3V500TB	
		5,30	B-1	1610	5,25	1/2	1 5/8	1 1/2	1/2	1	-	4,80	PHP 3-3V530TB	
		5,60	B-1	1610	5,55	1/2	1 5/8	1 1/2	1/2	1	-	5,50	PHP 3-3V560TB	
		6,00	B-1	2517 ¹⁾	5,95	3/4	2 1/2	1 1/2	5/32	1 3/4	1 1/32	7,40	PHP 3-3V600TB	
		6,50	B-1	2517 ¹⁾	6,45	3/4	2 1/2	1 1/2	5/32	1 3/4	1 1/32	9,10	PHP 3-3V650TB	
		6,90	B-1	2517 ¹⁾	6,85	3/4	2 1/2	1 1/2	5/32	1 3/4	1 1/32	10,00	PHP 3-3V690TB	
		8,00	C-2	2517 ¹⁾	7,95	3/4	2 1/2	1 1/2	5/32	1 3/4	1 1/32	15,00	PHP 3-3V800TB	

¹⁾ Taper bushing needs to conform to coarse thread series (UNC) of the ASME/ANSI standard. To complete designation, add U before bushing number and bore size at the end of designation, e.g. PHF TBU3535X70MM.

²⁾ Mass does not include bushings.

Narrow wedge belt pulleys

3V taper bushed



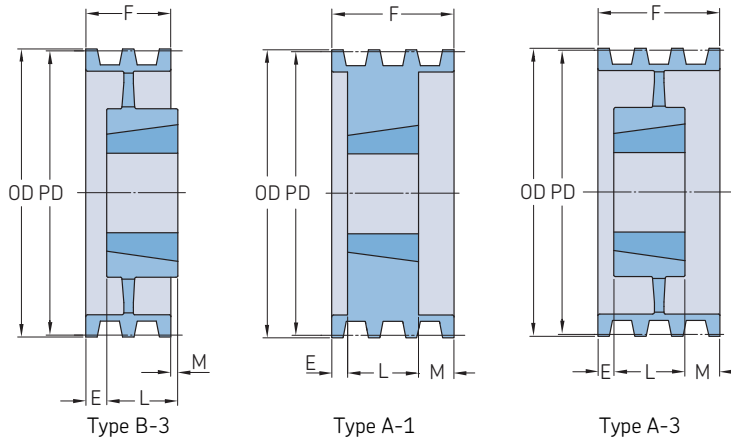
Section	Number of grooves	Pitch diameter PD	Pulley type	Bushing number	Dimensions Outer diameter OD	Dimensions						Mass ²⁾	Designation		
						B Min.	Max.	F	E	L	M				
		in.			in.							lbs.			
3V	3	10,60	C-2	2517 ¹⁾	10,55	3/4	2 1/2	1 1/2	-	1 3/4	1/4	18,00	PHP 3-3V1060TB		
		14,00	C-3	2517 ¹⁾	13,95	3/4	2 1/2	1 1/2	-	1 3/4	1/4	25,00	PHP 3-3V1400TB		
		19,00	C-3	3020	18,95	1 1/4	3	1 1/2	-	2	1/2	34,00	PHP 3-3V1900TB		
		25,00	C-3	3020	24,95	1 1/4	3	1 1/2	-	2	1/2	49,00	PHP 3-3V2500TB		
		33,50	C-3	3020	33,45	1 1/4	3	1 1/2	3/4	2	1/4	67,00	PHP 3-3V3350TB		
3V	4	2,80	B-1	1108	2,75	3/8	1 1/8	1 29/32	1 5/16	7/8	1 3/32	1,30	PHP 4-3V280TB		
		3,00	B-1	1210	2,95	5/8	1 1/4	1 29/32	29/32	1	-	2,10	PHP 4-3V300TB		
		3,15	B-1	1210	3,10	5/8	1 1/4	1 29/32	1 5/16	1	1 3/32	1,90	PHP 4-3V315TB		
		3,35	B-1	1610	3,30	1/2	1 5/8	1 29/32	29/32	1	-	2,20	PHP 4-3V335TB		
		3,65	B-1	1610	3,60	1/2	1 5/8	1 29/32	29/32	1	-	2,00	PHP 4-3V365TB		
		4,12	B-1	1610	4,07	1/2	1 5/8	1 29/32	29/32	1	-	3,00	PHP 4-3V412TB		
		4,50	B-1	1610	4,45	1/2	1 5/8	1 29/32	29/32	1	-	3,70	PHP 4-3V450TB		
		4,75	B-1	1610	4,70	1/2	1 5/8	1 29/32	29/32	1	-	4,20	PHP 4-3V475TB		
		5,00	B-1	1610	4,95	1/2	1 5/8	1 29/32	29/32	1	-	4,80	PHP 4-3V500TB		
		5,30	B-1	1610	5,25	1/2	1 5/8	1 29/32	29/32	1	-	5,50	PHP 4-3V530TB		
		5,60	B-1	1610	5,55	1/2	1 5/8	1 29/32	29/32	1	-	6,20	PHP 4-3V560TB		
		6,00	B-1	2517 ¹⁾	5,95	3/4	2 1/2	1 29/32	5/32	1 3/4	-	8,00	PHP 4-3V600TB		
		6,50	B-1	2517 ¹⁾	6,45	3/4	2 1/2	1 29/32	5/32	1 3/4	-	10,00	PHP 4-3V650TB		
		6,90	B-1	2517 ¹⁾	6,85	3/4	2 1/2	1 29/32	5/32	1 3/4	-	12,00	PHP 4-3V690TB		
		8,00	B-1	2517 ¹⁾	7,95	3/4	2 1/2	1 29/32	5/32	1 3/4	-	18,00	PHP 4-3V800TB		
		10,60	A-2	2517 ¹⁾	10,55	3/4	2 1/2	1 29/32	5/32	1 3/4	-	20,00	PHP 4-3V1060TB		
		14,00	C-3	2517 ¹⁾	13,95	3/4	2 1/2	1 29/32	-	1 3/4	5/32	29,00	PHP 4-3V1400TB		
		19,00	C-3	3020	18,95	1 1/4	3	1 29/32	-	3	1 3/32	45,00	PHP 4-3V1900TB		
		25,00	C-3	3020	24,95	1 1/4	3	1 29/32	-	3	1 3/32	63,00	PHP 4-3V2500TB		
		33,50	C-3	3030	33,45	1 1/4	3	1 29/32	35/64	3	35/64	81,00	PHP 4-3V3350TB		
3V	5	4,75	B-1	2517 ¹⁾	4,70	3/4	2 1/2	2 15/16	9/16	1 3/4	-	3,80	PHP 5-3V475TB		
		5,00	B-1	2517 ¹⁾	4,95	3/4	2 1/2	2 15/16	9/16	1 3/4	-	4,80	PHP 5-3V500TB		
		5,30	B-1	2517 ¹⁾	5,25	3/4	2 1/2	2 15/16	9/16	1 3/4	-	5,90	PHP 5-3V530TB		
		5,60	B-1	2517 ¹⁾	5,55	3/4	2 1/2	2 15/16	9/16	1 3/4	-	7,00	PHP 5-3V560TB		
		6,00	B-1	2517 ¹⁾	5,95	3/4	2 1/2	2 15/16	9/16	1 3/4	-	8,70	PHP 5-3V600TB		
		6,50	B-1	2517 ¹⁾	6,45	3/4	2 1/2	2 15/16	9/16	1 3/4	-	11,00	PHP 5-3V650TB		
		6,90	B-1	2517 ¹⁾	6,85	3/4	2 1/2	2 15/16	9/16	1 3/4	-	13,00	PHP 5-3V690TB		
		8,00	B-1	2517 ¹⁾	7,95	3/4	2 1/2	2 15/16	9/16	1 3/4	-	19,00	PHP 5-3V800TB		
		10,60	B-2	2517 ¹⁾	10,55	3/4	2 1/2	2 15/16	9/16	1 3/4	-	26,00	PHP 5-3V1060TB		
		14,00	C-3	2517 ¹⁾	13,95	3/4	2 1/2	2 15/16	-	1 3/4	9/16	34,00	PHP 5-3V1400TB		
		19,00	C-3	3030	18,95	1 1/4	3	2 15/16	-	3	11/16	47,00	PHP 5-3V1900TB		
		25,00	C-3	3030	24,95	1 1/4	3	2 15/16	-	3	11/16	66,00	PHP 5-3V2500TB		
		33,50	C-3	3030	33,45	1 1/4	3	2 15/16	11/32	3	11/16	86,00	PHP 5-3V3350TB		
		3V	6	4,75	B-1	2517 ¹⁾	4,70	3/4	2 1/2	2 23/32	31/32	1 3/4	-	4,40	PHP 6-3V475TB
				5,00	B-1	2517 ¹⁾	4,95	3/4	2 1/2	2 23/32	31/32	1 3/4	-	5,40	PHP 6-3V500TB
5,30	B-1			2517 ¹⁾	5,25	3/4	2 1/2	2 23/32	31/32	1 3/4	-	6,50	PHP 6-3V530TB		
5,60	B-1			2517 ¹⁾	5,55	3/4	2 1/2	2 23/32	31/32	1 3/4	-	7,70	PHP 6-3V560TB		
6,00	B-1			2517 ¹⁾	5,95	3/4	2 1/2	2 23/32	31/32	1 3/4	-	9,50	PHP 6-3V600TB		
6,50	B-1			2517 ¹⁾	6,45	3/4	2 1/2	2 23/32	31/32	1 3/4	-	12,00	PHP 6-3V650TB		
6,90	B-1			2517 ¹⁾	6,85	3/4	2 1/2	2 23/32	31/32	1 3/4	-	13,00	PHP 6-3V690TB		
8,00	B-1			2517 ¹⁾	7,95	3/4	2 1/2	2 23/32	31/32	1 3/4	-	20,00	PHP 6-3V800TB		
10,60	B-2			2517 ¹⁾	10,55	3/4	2 1/2	2 23/32	31/32	1 3/4	-	29,00	PHP 6-3V1060TB		
14,00	B-3			2517 ¹⁾	13,95	3/4	2 1/2	2 23/32	7/32	1 3/4	3/4	41,00	PHP 6-3V1400TB		
19,00	C-3			3020	18,95	1 1/4	3	2 23/32	-	3	9/32	51,00	PHP 6-3V1900TB		
25,00	C-3			3030	24,95	1 1/4	3	2 23/32	-	3	9/32	72,00	PHP 6-3V2500TB		
33,50	C-3			3030	33,45	1 1/4	3	2 23/32	9/64	3	9/64	92,00	PHP 6-3V3350TB		
3V	8			4,75	B-1	2517 ¹⁾	4,70	3/4	2 1/2	3 17/32	1 25/32	1 3/4	-	5,80	PHP 8-3V475TB
				5,00	B-1	2517 ¹⁾	4,95	3/4	2 1/2	3 17/32	1 25/32	1 3/4	-	6,40	PHP 8-3V500TB

¹⁾ Taper bushing needs to conform to coarse thread series (UNC) of the ASME/ANSI standard. To complete designation, add U before bushing number and bore size at the end of designation, e.g. PHF TBU3535X70MM.

²⁾ Mass does not include bushings.

Narrow wedge belt pulleys

3V taper bushed | 5V taper bushed



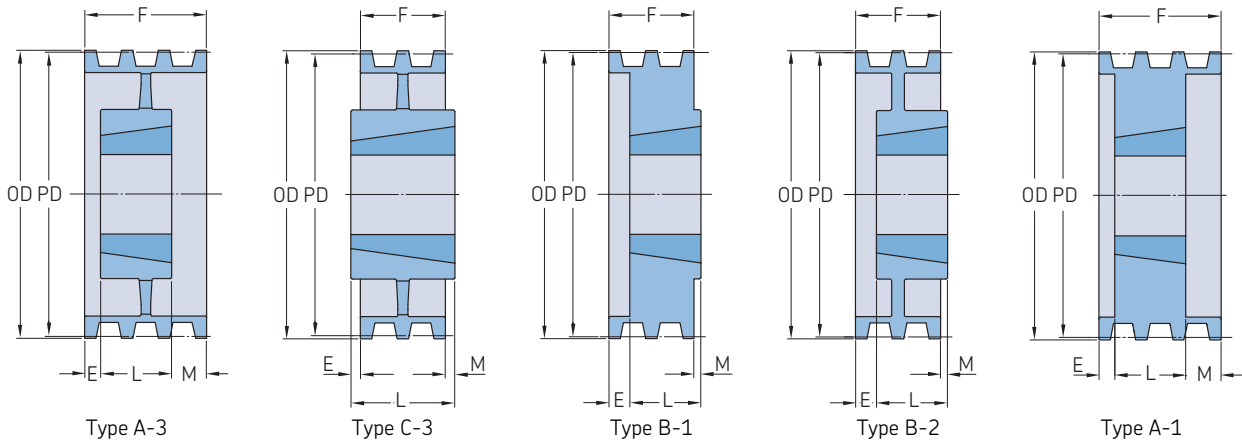
Section	Number of grooves	Pitch diameter PD	Pulley type	Bushing number	Dimensions						Mass ²⁾	Designation			
					Outer diameter OD	B Min.	Max.	F	E	L			M		
		in.			in.								lbs.		
3V	8	5,30	A-1	2517 ¹⁾	5,25	3/4	2 1/2	3 17/32	1 1/32	1 3/4	3/4	7,80	PHP 8-3V530TB		
		5,60	A-1	2517 ¹⁾	5,55	3/4	2 1/2	3 17/32	1/4	1 3/4	1 17/32	9,20	PHP 8-3V560TB		
		6,00	A-1	2517 ¹⁾	5,95	3/4	2 1/2	3 17/32	3/4	1 3/4	1 17/32	11,00	PHP 8-3V600TB		
		6,50	A-1	2517 ¹⁾	6,45	3/4	2 1/2	3 17/32	3/4	1 3/4	1 17/32	14,00	PHP 8-3V650TB		
		6,90	A-1	2517 ¹⁾	6,85	3/4	2 1/2	3 17/32	3/4	1 3/4	1 17/32	16,00	PHP 8-3V690TB		
		8,00	A-1	3020	7,95	1 1/4	3	3 17/32	1/2	2	1 1/32	22,00	PHP 8-3V800TB		
		10,60	A-2	3020	10,55	1 1/4	3	3 17/32	1/2	2	1 1/32	28,00	PHP 8-3V1060TB		
		14,00	A-3	3020	13,95	1 1/4	3	3 17/32	-	3	17/32	52,00	PHP 8-3V1400TB		
		19,00	A-3	3535 ¹⁾	18,95	2	3 15/16	3 17/32	-	3 1/2	1/32	67,00	PHP 8-3V1900TB		
		25,00	A-3	3535 ¹⁾	24,95	2	3 15/16	3 17/32	-	3 1/2	1/32	93,00	PHP 8-3V2500TB		
		33,50	C-3	4040	33,45	1 3/4	4 7/16	3 17/32	15/16	4	15/16	157,00	PHP 8-3V3350TB		
		3V	10	4,75	B-1	2517 ¹⁾	4,70	3/4	2 1/2	4 11/32	2 19/32	1 3/4	-	7,00	PHP 10-3V475TB
				5,00	B-1	2517 ¹⁾	4,95	3/4	2 1/2	4 11/32	2 19/32	1 3/4	3/4	8,00	PHP 10-3V500TB
				5,30	A-1	2517 ¹⁾	5,25	3/4	2 1/2	4 11/32	2 19/32	1 3/4	-	9,00	PHP 10-3V530TB
				5,60	A-1	2517 ¹⁾	5,55	3/4	2 1/2	4 11/32	1/2	1 3/4	2 3/32	11,00	PHP 10-3V560TB
6,00	A-1			2517 ¹⁾	5,95	3/4	2 1/2	4 11/32	1/2	1 3/4	2 3/32	13,00	PHP 10-3V600TB		
6,50	A-1			2517 ¹⁾	6,45	3/4	2 1/2	4 11/32	1/2	1 3/4	2 3/32	15,00	PHP 10-3V650TB		
6,90	A-1			2517 ¹⁾	6,85	3/4	2 1/2	4 11/32	1/2	1 3/4	2 3/32	18,00	PHP 10-3V690TB		
8,00	A-1			3020	7,95	1 1/4	3	4 11/32	1/4	2	2 3/32	23,00	PHP 10-3V800TB		
10,60	A-2			3020	10,55	1 1/4	3	4 11/32	27/32	2	1 1/2	31,00	PHP 10-3V1060TB		
14,00	A-2			3535 ¹⁾	13,95	2	3 1/2	4 11/32	-	3 1/2	27/32	50,00	PHP 10-3V1400TB		
19,00	A-3			3535 ¹⁾	18,95	2	3 1/2	4 11/32	-	3 1/2	27/32	75,00	PHP 10-3V1900TB		
25,00	A-3			4040	24,95	1 3/4	4 7/16	4 11/32	-	4	11/32	122,00	PHP 10-3V2500TB		
33,50	A-3			4040	33,45	1 3/4	4 7/16	4 11/32	11/64	4	11/64	172,00	PHP 10-3V3350TB		
5V	2			7,10	B-1	2517 ¹⁾	7,05	3/4	2 1/2	1 11/16	1/16	1 3/4	-	10,00	PHP 2-5V710TB
				7,50	B-1	2517 ¹⁾	7,45	3/4	2 1/2	1 11/16	1/16	1 3/4	-	12,00	PHP 2-5V750TB
		8,00	B-1	2517 ¹⁾	7,95	3/4	2 1/2	1 11/16	1/16	1 3/4	-	14,00	PHP 2-5V800TB		
		8,50	B-2	2517 ¹⁾	8,45	3/4	2 1/2	1 11/16	1/16	1 3/4	-	13,00	PHP 2-5V850TB		
		9,00	B-2	2517 ¹⁾	8,95	3/4	2 1/2	1 11/16	1/16	1 3/4	-	16,00	PHP 2-5V900TB		
		9,25	C-2	3020	9,20	1 1/4	3	1 11/16	-	2	5/16	17,00	PHP 2-5V925TB		
		9,75	C-2	3020	9,70	1 1/4	3	1 11/16	-	2	5/16	19,00	PHP 2-5V975TB		
		10,30	C-2	3020	10,25	1 1/4	3	1 11/16	-	2	5/16	22,00	PHP 2-5V1030TB		
		10,90	C-2	3020	10,85	1 1/4	3	1 11/16	-	2	5/16	24,00	PHP 2-5V1090TB		
		11,80	C-2	3020	11,75	1 1/4	3	1 11/16	-	2	5/16	26,00	PHP 2-5V1180TB		
		12,50	C-2	3020	12,45	1 1/4	3	1 11/16	-	2	5/16	28,00	PHP 2-5V1250TB		
		13,20	C-3	3020	13,15	1 1/4	3	1 11/16	-	2	5/16	21,00	PHP 2-5V1320TB		
		14,00	C-3	3020	13,95	1 1/4	3	1 11/16	-	2	5/16	23,00	PHP 2-5V1400TB		
		15,00	C-3	3020	14,95	1 1/4	3	1 11/16	-	2	5/16	26,00	PHP 2-5V1500TB		
		16,00	C-3	3020	15,95	1 1/4	3	1 11/16	-	2	5/16	28,00	PHP 2-5V1600TB		
21,20	C-3	3535 ¹⁾	21,15	2	3 15/16	1 11/16	3/8	3 1/2	1 7/16	51,00	PHP 2-5V2120TB				
28,00	C-3	3535 ¹⁾	27,95	2	3 15/16	1 11/16	3/8	3 1/2	1 7/16	69,00	PHP 2-5V2800TB				
5V	3	7,10	B-1	2517 ¹⁾	7,05	3/4	2 1/2	2 3/8	5/8	1 3/4	-	13,00	PHP 3-5V710TB		
		7,50	B-1	2517 ¹⁾	7,45	3/4	2 1/2	2 3/8	5/8	1 3/4	-	15,00	PHP 3-5V750TB		
		8,00	B-1	2517 ¹⁾	7,95	3/4	2 1/2	2 3/8	5/8	1 3/4	-	18,00	PHP 3-5V800TB		
		8,50	B-2	2517 ¹⁾	8,45	3/4	2 1/2	2 3/8	5/8	1 3/4	-	20,00	PHP 3-5V850TB		
		9,00	B-2	2517 ¹⁾	8,95	3/4	2 1/2	2 3/8	5/8	1 3/4	-	20,00	PHP 3-5V900TB		
		9,25	A-2	3020	9,20	1 1/4	3	2 3/8	-	2	3/8	21,00	PHP 3-5V925TB		
		9,75	A-2	3020	9,70	1 1/4	3	2 3/8	-	2	3/8	24,00	PHP 3-5V975TB		
		10,30	A-2	3020	10,25	1 1/4	3	2 3/8	-	2	3/8	25,00	PHP 3-5V1030TB		
		10,90	A-2	3020	10,85	1 1/4	3	2 3/8	-	2	3/8	27,00	PHP 3-5V1090TB		
		11,80	A-2	3020	11,75	1 1/4	3	2 3/8	-	2	3/8	29,00	PHP 3-5V1180TB		
		12,50	A-3	3020	12,45	1 1/4	3	2 3/8	-	2	3/8	32,00	PHP 3-5V1250TB		

¹⁾ Taper bushing needs to conform to coarse thread series (UNC) of the ASME/ANSI standard. To complete designation, add U before bushing number and bore size at the end of designation, e.g. PHF TBU3535X70MM.

²⁾ Mass does not include bushings.

Narrow wedge belt pulleys

5V taper bushed



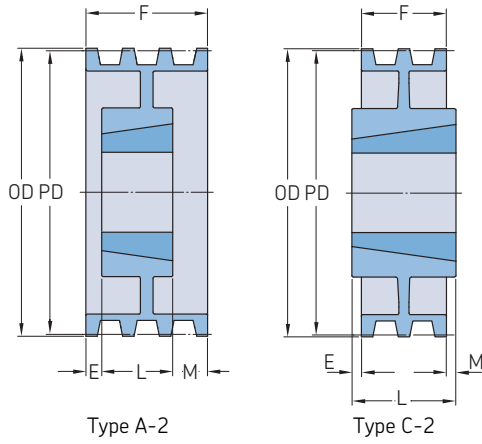
Section	Number of grooves	Pitch diameter PD	Pulley type	Bushing number	Dimensions							Mass ²⁾	Designation		
					Outer diameter OD	B Min.	Max.	F	E	L	M				
		in.			in.									lbs.	
5V	3	13,20	A-3	3020	13,15	1 1/4	3	2 3/8	-	2	3/8	34,00	PHP 3-5V1320TB		
		14,00	A-3	3020	13,95	1 1/4	3	2 3/8	-	2	3/8	36,00	PHP 3-5V1400TB		
		15,00	A-3	3020	14,95	1 1/4	3	2 3/8	-	2	3/8	37,00	PHP 3-5V1500TB		
		16,00	A-3	3020	15,95	1 1/4	3	2 3/8	-	2	3/8	38,00	PHP 3-5V1600TB		
		21,20	C-3	3535 ¹⁾	21,15	2	3 15/16	2 3/8	-	3 1/2	1 1/8	65,00	PHP 3-5V2120TB		
		28,00	C-3	3535 ¹⁾	27,95	2	3 15/16	2 3/8	-	3 1/2	1 1/8	93,00	PHP 3-5V2800TB		
		37,50	C-3	4040	37,40	1 3/4	4 7/16	2 3/8	1/2	4	1 1/8	142,00	PHP 3-5V3750TB		
		50,00	C-3	4040	49,90	1 3/4	4 7/16	2 3/8	1/2	4	1 1/8	202,00	PHP 3-5V5000TB		
		5V	4	7,10	B-1	2517 ¹⁾	7,05	3/4	2 1/2	3 1/16	1 5/16	1 3/4	-	15,00	PHP 4-5V710TB
				7,50	B-1	2517 ¹⁾	7,45	3/4	2 1/2	3 1/16	1 5/16	1 3/4	-	18,00	PHP 4-5V750TB
8,00	B-1			2517 ¹⁾	7,95	3/4	2 1/2	3 1/16	1 5/16	1 3/4	-	21,00	PHP 4-5V800TB		
8,50	B-2			2517 ¹⁾	8,45	3/4	2 1/2	3 1/16	1 5/16	1 3/4	-	20,00	PHP 4-5V850TB		
9,00	B-2			2517 ¹⁾	8,95	3/4	2 1/2	3 1/16	1 5/16	1 3/4	-	22,00	PHP 4-5V900TB		
9,25	A-1			3020	9,20	1 1/4	3	3 1/16	1/2	2	9/16	27,00	PHP 4-5V925TB		
9,75	A-1			3020	9,70	1 1/4	3	3 1/16	1/2	2	9/16	31,00	PHP 4-5V975TB		
10,30	A-2			3020	10,25	1 1/4	3	3 1/16	1/2	2	9/16	28,00	PHP 4-5V1030TB		
10,90	A-2			3020	10,85	1 1/4	3	3 1/16	1/2	2	9/16	31,00	PHP 4-5V1090TB		
11,80	A-2			3020	11,75	1 1/4	3	3 1/16	1/2	2	9/16	34,00	PHP 4-5V1180TB		
12,50	A-2			3020	12,45	1 1/4	3	3 1/16	-	3	1/16	40,00	PHP 4-5V1250TB		
13,20	A-3			3020	13,15	1 1/4	3	3 1/16	-	3	1/16	42,00	PHP 4-5V1320TB		
14,00	C-2			3535 ¹⁾	13,95	2	3 15/16	3 1/16	-	3 1/2	7/16	48,00	PHP 4-5V1400TB		
15,00	C-3			3535 ¹⁾	14,95	2	3 15/16	3 1/16	-	3 1/2	7/16	52,00	PHP 4-5V1500TB		
16,00	C-3			3535 ¹⁾	15,95	2	3 15/16	3 1/16	-	3 1/2	7/16	53,00	PHP 4-5V1600TB		
21,20	C-3			3535 ¹⁾	21,15	2	3 15/16	3 1/16	-	3 1/2	7/16	72,00	PHP 4-5V2120TB		
28,00	C-3			3535 ¹⁾	27,95	2	3 15/16	3 1/16	-	3 1/2	7/16	103,00	PHP 4-5V2800TB		
37,50	C-3			4040	37,45	1 3/4	4 7/16	3 1/16	-	4	15/16	172,00	PHP 4-5V3750TB		
50,00	C-3			4040	49,95	1 3/4	4 7/16	3 1/16	-	4	15/16	222,00	PHP 4-5V5000TB		
5V	5			7,10	A-1	3020	7,00	1 1/4	3	3 3/4	1/2	2	1 1/4	16,00	PHP 5-5V710TB
		7,50	A-1	3020	7,40	1 1/4	3	3 3/4	1/2	2	1 1/4	18,00	PHP 5-5V750TB		
		8,00	A-1	3020	7,90	1 1/4	3	3 3/4	1/2	2	1 1/4	22,00	PHP 5-5V800TB		
		8,50	A-1	3020	8,40	1 1/4	3	3 3/4	1/2	2	1 1/4	26,00	PHP 5-5V850TB		
		9,00	A-1	3020	8,90	1 1/4	3	3 3/4	1/2	2	1 1/4	29,00	PHP 5-5V900TB		
		9,25	A-1	3020	9,15	1 1/4	3	3 3/4	1/2	2	1 1/4	30,00	PHP 5-5V925TB		
		9,75	A-1	3020	9,65	1 1/4	3	3 3/4	1/2	2	1 1/4	34,00	PHP 5-5V975TB		
		10,30	A-2	3020	10,20	1 1/4	3	3 3/4	1/2	2	1 1/4	32,00	PHP 5-5V1030TB		
		10,90	A-2	3020	10,80	1 1/4	3	3 3/4	1/2	2	1 1/4	34,00	PHP 5-5V1090TB		
		11,80	A-2	3020	11,70	1 1/4	3	3 3/4	1/2	2	1 1/4	39,00	PHP 5-5V1180TB		
		12,50	A-2	3535 ¹⁾	12,40	2	3 15/16	3 3/4	-	3 1/2	1/4	54,00	PHP 5-5V1250TB		
		13,20	A-2	3535 ¹⁾	13,10	2	3 15/16	3 3/4	-	3 1/2	1/4	57,00	PHP 5-5V1320TB		
		14,00	A-2	3535 ¹⁾	13,90	2	3 15/16	3 3/4	-	3 1/2	1/4	54,00	PHP 5-5V1400TB		
		15,00	A-3	3535 ¹⁾	14,90	2	3 15/16	3 3/4	-	3 1/2	1/4	56,00	PHP 5-5V1500TB		
		16,00	A-3	3535 ¹⁾	15,90	2	3 15/16	3 3/4	-	3 1/2	1/4	58,00	PHP 5-5V1600TB		
		21,20	C-3	4040	21,10	1 3/4	4 7/16	3 3/4	-	4	1/4	92,00	PHP 5-5V2120TB		
		28,00	C-3	4040	27,90	1 3/4	4 7/16	3 3/4	-	4	1/4	117,00	PHP 5-5V2800TB		
		37,50	C-3	4040	37,40	1 3/4	4 7/16	3 3/4	-	4	1/4	182,00	PHP 5-5V3750TB		
		50,00	C-3	4545	49,90	2 1/4	4 15/16	3 3/4	-	4 1/2	3/4	276,00	PHP 5-5V5000TB		
		5V	6	7,10	A-1	3020	7,00	1 1/4	3	4 7/16	3/4	2	1 11/16	18,00	PHP 6-5V710 TB
7,50	A-1			3020	7,40	1 1/4	3	4 7/16	3/4	2	1 11/16	20,00	PHP 6-5V750 TB		
8,00	A-1			3020	7,90	1 1/4	3	4 7/16	3/4	2	1 11/16	24,00	PHP 6-5V800 TB		
8,50	A-1			3020	8,40	1 1/4	3	4 7/16	3/4	2	1 11/16	28,00	PHP 6-5V850 TB		
9,00	A-1			3020	8,90	1 1/4	3	4 7/16	3/4	2	1 11/16	30,00	PHP 6-5V900 TB		
9,25	A-1			3535 ¹⁾	9,15	2	3 15/16	4 7/16	-	3 1/2	15/16	39,00	PHP 6-5V925 TB		
9,75	A-1			3535 ¹⁾	9,65	2	3 15/16	4 7/16	-	3 1/2	15/16	46,00	PHP 6-5V975 TB		

¹⁾ Taper bushing needs to conform to coarse thread series (UNC) of the ASME/ANSI standard. To complete designation, add U before bushing number and bore size at the end of designation, e.g. PHF TBU3535X70MM.

²⁾ Mass does not include bushings.

Narrow wedge belt pulleys

5V taper bushed | 8V taper bushed



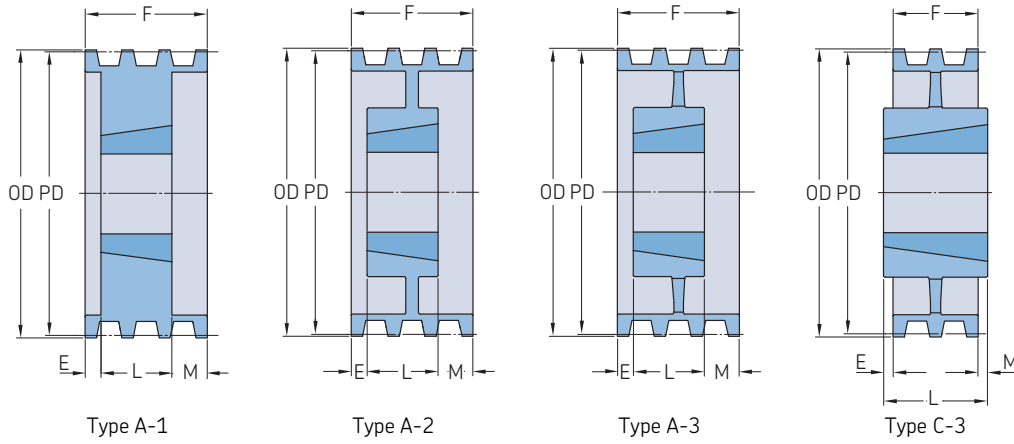
Section	Number of grooves	Pitch diameter PD	Pulley type	Bushing number	Dimensions						Mass ²⁾ lbs.	Designation			
					Outer diameter OD	B Min.	Max.	F	E	L			M		
		in.			in.										
5V	6	10,30	A-1	3535 ¹⁾	10,20	2	3 15/16	4 7/16	–	3 1/2	15/16	54,00	PHP 6-5V1030 TB		
		10,90	A-1	3535 ¹⁾	10,80	2	3 15/16	4 7/16	–	3 1/2	15/16	62,00	PHP 6-5V1090 TB		
		11,80	A-2	3535 ¹⁾	11,70	2	3 15/16	4 7/16	–	3 1/2	15/16	55,00	PHP 6-5V1180 TB		
		12,50	A-2	3535 ¹⁾	12,40	2	3 15/16	4 7/16	–	3 1/2	15/16	58,00	PHP 6-5V1250 TB		
		13,20	A-2	3535 ¹⁾	13,10	2	3 15/16	4 7/16	–	3 1/2	15/16	60,00	PHP 6-5V1320 TB		
		14,00	A-2	3535 ¹⁾	13,90	2	3 15/16	4 7/16	–	3 1/2	15/16	59,00	PHP 6-5V1400 TB		
	5V	8	15,00	A-2	4040	14,90	1 3/4	4 7/16	4 7/16	–	4	7/16	82,00	PHP 6-5V1500 TB	
			16,00	A-2	4040	15,90	1 3/4	4 7/16	4 7/16	–	4	7/16	87,00	PHP 6-5V1600 TB	
			21,20	A-3	4040	21,10	1 3/4	4 7/16	4 7/16	–	4	7/16	102,00	PHP 6-5V2120 TB	
			28,00	A-3	4040	27,90	1 3/4	4 7/16	4 7/16	–	4	7/16	137,00	PHP 6-5V2800 TB	
			37,50	C-3	4545	37,40	2 1/4	4 15/16	4 7/16	–	4 1/2	1/16	221,00	PHP 6-5V3750 TB	
			50,00	C-3	4545	49,90	2 1/4	4 15/16	4 7/16	–	4 1/2	1/16	296,00	PHP 6-5V5000 TB	
			7,10	A-1	3030	7,00	1 1/4	3	5 13/16	1	3	1 13/16	24,00	PHP 8-5V710TB	
			7,50	A-1	3030	7,40	1 1/4	3	5 13/16	1	3	1 13/16	28,00	PHP 8-5V750TB	
8,00	A-1	3030	7,90	1 1/4	3	5 13/16	1	3	1 13/16	33,00	PHP 8-5V800TB				
8,50	A-1	3030	8,40	1 1/4	3	5 13/16	1	3	1 13/16	38,00	PHP 8-5V850TB				
9,00	A-1	3535 ¹⁾	8,90	2	3 15/16	5 13/16	1	3 1/2	1 5/16	44,00	PHP 8-5V900TB				
5V	10	9,25	A-1	3535 ¹⁾	9,15	2	3 15/16	5 13/16	1	3 1/2	1 5/16	45,00	PHP 8-5V925TB		
		9,75	A-1	3535 ¹⁾	9,65	2	3 15/16	5 13/16	1	3 1/2	1 5/16	51,00	PHP 8-5V975TB		
		10,30	A-1	3535 ¹⁾	10,20	2	3 15/16	5 13/16	1	3 1/2	1 5/16	60,00	PHP 8-5V1030TB		
		10,90	A-1	3535 ¹⁾	10,80	2	3 15/16	5 13/16	1	3 1/2	1 5/16	68,00	PHP 8-5V1090TB		
		11,80	A-2	3535 ¹⁾	11,70	2	3 15/16	5 13/16	1	3 1/2	1 5/16	63,00	PHP 8-5V1180TB		
		12,50	A-2	4040	12,40	1 3/4	4 7/16	5 13/16	1/4	4	1 9/16	82,00	PHP 8-5V1250TB		
		13,20	A-2	4040	13,10	1 3/4	4 7/16	5 13/16	1/4	4	1 9/16	82,00	PHP 8-5V1320TB		
		14,00	A-2	4040	13,90	1 3/4	4 7/16	5 13/16	1/4	4	1 9/16	87,00	PHP 8-5V1400TB		
		15,00	A-2	4040	14,90	1 3/4	4 7/16	5 13/16	1/4	4	1 9/16	97,00	PHP 8-5V1500TB		
		16,00	A-2	4040	15,90	1 3/4	4 7/16	5 13/16	1/4	4	1 9/16	102,00	PHP 8-5V1600TB		
		21,20	A-3	4040	21,10	1 3/4	4 7/16	5 13/16	1/4	4	1 9/16	122,00	PHP 8-5V2120TB		
		28,00	A-3	4545	27,90	2 1/4	4 15/16	5 13/16	1/4	4 1/2	1 1/16	176,00	PHP 8-5V2800TB		
		37,50	A-3	4545	37,40	2 1/4	4 15/16	5 13/16	1/4	4 1/2	1 1/16	271,00	PHP 8-5V3750TB		
		50,00	A-3	4545	49,90	2 1/4	4 15/16	5 13/16	1/4	4 1/2	1 1/16	356,00	PHP 8-5V5000TB		
		5V	4	8,00	A-1	3030	7,90	1 1/4	3	7 3/16	1	3	3 3/16	36,00	PHP 10-5V800TB
				8,50	A-1	3030	8,40	1 1/4	3	7 3/16	1	3	3 3/16	42,00	PHP 10-5V850TB
				9,00	A-1	3535 ¹⁾	8,90	2	3 15/16	7 3/16	1	3 1/2	2 13/16	47,00	PHP 10-5V900TB
				9,25	A-1	4040	9,15	1 3/4	4 7/16	7 3/16	1	4	2 1/6	46,00	PHP 10-5V925TB
9,75	A-1			4040	9,65	1 3/4	4 7/16	7 3/16	1	4	2 1/6	54,00	PHP 10-5V975TB		
10,30	A-1			4040	10,20	1 3/4	4 7/16	7 3/16	1	4	2 1/6	64,00	PHP 10-5V1030TB		
10,90	A-1			4040	10,80	1 3/4	4 7/16	7 3/16	1	4	2 1/6	73,00	PHP 10-5V1090TB		
11,30	A-1			4040	11,20	1 3/4	4 7/16	7 3/16	1	4	2 1/6	92,00	PHP 10-5V1130TB		
11,80	A-1			4040	11,70	1 3/4	4 7/16	7 3/16	1	4	2 1/6	87,00	PHP 10-5V1180TB		
12,50	A-2			4040	12,40	1 3/4	4 7/16	7 3/16	3/4	4	2 1/6	87,00	PHP 10-5V1250TB		
13,20	A-2			4040	13,10	1 3/4	4 7/16	7 3/16	3/4	4	2 7/16	106,00	PHP 10-5V1320TB		
14,00	A-2			4545	13,90	2 1/4	4 7/16	7 3/16	3/4	4 1/2	2 7/16	116,00	PHP 10-5V1400TB		
15,00	A-2			4545	14,90	2 1/4	4 15/16	7 3/16	3/4	4 1/2	1 15/16	126,00	PHP 10-5V1500TB		
16,00	A-2			4545	15,90	2 1/4	4 15/16	7 3/16	3/4	4 1/2	1 15/16	131,00	PHP 10-5V1600TB		
18,70	A-2			4545	18,60	2 1/4	4 15/16	7 3/16	3/4	4 1/2	1 15/16	136,00	PHP 10-5V1870TB		
21,20	A-3			4545	21,10	2 1/4	4 15/16	7 3/16	3/4	4 1/2	1 15/16	139,00	PHP 10-5V2120TB		
28,00	A-3			4545	27,90	2 1/4	4 15/16	7 3/16	3/4	4 1/2	1 15/16	191,00	PHP 10-5V2800TB		
37,50	A-3			4545	37,40	2 1/4	4 15/16	7 3/16	3/4	4 1/2	1 15/16	316,00	PHP 10-5V3750TB		
50,00	A-3	5050	49,90	2 3/4	5	7 3/16	3/4	5	1 7/16	428,00	PHP 10-5V5000TB				
8V	4	12,50	A-1	4040	12,30	1 3/4	4 7/16	4 7/8	–	4	7/8	92,00	PHP 4-8V1250TB		
		13,20	A-1	4040	13,00	1 3/4	4 7/16	4 7/8	–	4	7/8	107,00	PHP 4-8V1320TB		
		14,00	A-1	4040	13,80	1 3/4	4 15/16	4 7/8	–	4 1/2	3/8	126,00	PHP 4-8V1400TB		

¹⁾ Taper bushing needs to conform to coarse thread series (UNC) of the ASME/ANSI standard. To complete designation, add U before bushing number and bore size at the end of designation, e.g. PHF TBU3535X7OMM.

²⁾ Mass does not include bushings.

Narrow wedge belt pulleys

8V taper bushed



Section	Number of grooves	Pitch diameter PD	Pulley type	Bushing number	Dimensions					Mass*	Designation				
					Outer diameter OD	B Min.	Max.	F	E			L	M		
					in.						lbs.				
8V	4	15,00	A-1	4040	14,80	1 3/4	4 15/16	4 7/8	-	4 1/2	3/8	116,00	PHP 4-8V1500TB		
		16,00	A-2	4040	15,80	1 3/4	4 15/16	4 7/8	-	4 1/2	3/8	126,00	PHP 4-8V1600TB		
		17,00	A-2	4040	16,80	1 3/4	4 15/16	4 7/8	-	4 1/2	3/8	136,00	PHP 4-8V1700TB		
		18,00	A-2	4040	17,80	1 3/4	4 15/16	4 7/8	-	4 1/2	3/8	146,00	PHP 4-8V1800TB		
		19,00	A-2	4040	18,80	1 3/4	4 15/16	4 7/8	-	4 1/2	3/8	161,00	PHP 4-8V1900TB		
		20,00	A-2	4545	19,80	2 1/4	4 15/16	4 7/8	-	4 1/2	3/8	171,00	PHP 4-8V2000TB		
		21,20	A-3	4545	21,00	2 1/4	4 15/16	4 7/8	-	4 1/2	3/8	146,00	PHP 4-8V2120TB		
		22,40	A-3	4545	22,20	2 1/4	4 15/16	4 7/8	-	4 1/2	3/8	161,00	PHP 4-8V2240TB		
		30,00	A-3	4545	29,80	2 1/4	4 15/16	4 7/8	-	4 1/2	3/8	251,00	PHP 4-8V3000TB		
		35,50	A-3	4545	35,30	2 1/4	4 15/16	4 7/8	-	4 1/2	3/8	285,00	PHP 4-8V3550TB		
		40,00	C-3	5050	39,80	2 3/4	5	4 7/8	-	5	1/8	316,00	PHP 4-8V4000TB		
		44,50	C-3	5050	44,30	2 3/4	5	4 7/8	-	5	1/8	408,00	PHP 4-8V4450TB		
		53,00	C-3	5050	52,80	2 3/4	5	4 7/8	-	5	1/8	476,00	PHP 4-8V5300TB		
		8V	5	12,50	A-1	4040	12,30	1 3/4	4 15/16	6	-	4 1/2	1 1/2	96,00	PHP 5-8V1250TB
				13,20	A-1	4040	13,00	1 3/4	4 15/16	6	-	4 1/2	1 1/2	116,00	PHP 5-8V1320TB
				14,00	A-1	4040	13,80	1 3/4	4 15/16	6	-	4 1/2	1 1/2	136,00	PHP 5-8V1400TB
				15,00	A-1	4040	14,80	1 3/4	4 15/16	6	-	4 1/2	1 1/2	131,00	PHP 5-8V1500TB
				16,00	A-1	4040	15,80	1 3/4	4 15/16	6	-	4 1/2	1 1/2	141,00	PHP 5-8V1600TB
17,00	A-2			4040	16,80	1 3/4	4 15/16	6	-	4 1/2	1 1/2	146,00	PHP 5-8V1700TB		
18,00	A-2			4040	17,80	1 3/4	4 15/16	6	-	4 1/2	1 1/2	156,00	PHP 5-8V1800TB		
19,00	A-2			4040	18,80	1 3/4	4 15/16	6	-	4 1/2	1 1/2	176,00	PHP 5-8V1900TB		
20,00	A-2			4545	19,80	2 1/4	4 15/16	6	-	4 1/2	1 1/2	186,00	PHP 5-8V2000TB		
21,20	A-3			4545	21,00	2 1/4	4 15/16	6	-	4 1/2	1 1/2	161,00	PHP 5-8V2120TB		
22,40	A-3			4545	22,20	2 1/4	4 15/16	6	-	4 1/2	1 1/2	176,00	PHP 5-8V2240TB		
24,80	A-3			4545	24,60	2 1/4	4 15/16	6	-	4 1/2	1 1/2	235,00	PHP 5-8V2480TB		
30,00	A-3			4545	29,80	2 1/4	4 15/16	6	-	4 1/2	1 1/2	271,00	PHP 5-8V3000TB		
35,50	A-3			4545	35,30	2 1/4	4 15/16	6	-	4 1/2	1 1/2	325,00	PHP 5-8V3550TB		
40,00	A-3			5050	39,80	2 3/4	5	6	-	5	1	350,00	PHP 5-8V4000TB		
44,50	A-3			5050	44,30	2 3/4	5	6	-	5	1	411,00	PHP 5-8V4450TB		
53,00	A-3			5050	52,80	2 3/4	5	6	-	5	1	565,00	PHP 5-8V5300TB		
8V	6			12,50	A-1	4545	12,30	2 1/4	4 15/16	6 1/8	1/2	4 1/2	2 1/8	105,00	PHP 6-8V1250TB
		13,20	A-1	4545	13,00	2 1/4	4 15/16	6 1/8	1/2	4 1/2	2 1/8	125,00	PHP 6-8V1320TB		
		14,00	A-1	4545	13,80	2 1/4	4 15/16	6 1/8	1/2	4 1/2	2 1/8	145,00	PHP 6-8V1400TB		
		15,00	A-1	4545	14,80	2 1/4	4 15/16	6 1/8	1/2	4 1/2	2 1/8	170,00	PHP 6-8V1500TB		
		16,00	A-2	4545	15,80	2 1/4	4 15/16	6 1/8	1/2	4 1/2	2 1/8	145,00	PHP 6-8V1600TB		
		17,00	A-2	4545	16,80	2 1/4	4 15/16	6 1/8	1/2	4 1/2	2 1/8	150,00	PHP 6-8V1700TB		
		18,00	A-2	4545	17,80	2 1/4	4 15/16	6 1/8	1/2	4 1/2	2 1/8	160,00	PHP 6-8V1800TB		
		19,00	A-2	4545	18,80	2 1/4	4 15/16	6 1/8	1/2	4 1/2	2 1/8	185,00	PHP 6-8V1900TB		
		20,00	A-2	4545	19,80	2 1/4	4 15/16	6 1/8	1/2	4 1/2	2 1/8	200,00	PHP 6-8V2000TB		
		21,20	A-3	4545	21,00	2 1/4	4 15/16	6 1/8	1/2	4 1/2	2 1/8	170,00	PHP 6-8V2120TB		
		22,40	A-3	4545	22,20	2 1/4	4 15/16	6 1/8	1/2	4 1/2	2 1/8	180,00	PHP 6-8V2240TB		
		24,80	A-3	4545	24,60	2 1/4	4 15/16	6 1/8	1/2	4 1/2	2 1/8	238,00	PHP 6-8V2480TB		
		30,00	A-3	5050	29,80	2 3/4	5	6 1/8	1/2	5	1 5/8	285,00	PHP 6-8V3000TB		
		35,50	A-3	5050	35,30	2 3/4	5	6 1/8	1/2	5	1 5/8	336,00	PHP 6-8V3550TB		
		40,00	A-3	5050	39,80	2 3/4	5	6 1/8	1/2	5	1 5/8	375,00	PHP 6-8V4000TB		
		44,50	A-3	5050	44,30	2 3/4	5	6 1/8	1/2	5	1 5/8	436,00	PHP 6-8V4450TB		
		53,00	A-3	5050	52,80	2 3/4	5	6 1/8	1/2	5	1 5/8	595,00	PHP 6-8V5300TB		
		8V	8	12,50	A-1	4545	12,30	2 1/4	4 15/16	9 3/8	1 1/2	4 1/2	3 3/8	125,00	PHP 8-8V1250TB
13,20	A-1			4545	13,00	2 1/4	4 15/16	9 3/8	1 1/2	4 1/2	3 3/8	135,00	PHP 8-8V1320TB		
14,00	A-1			4545	13,80	2 1/4	4 15/16	9 3/8	1 1/2	4 1/2	3 3/8	155,00	PHP 8-8V1400TB		
15,00	A-1			4545	14,80	2 1/4	4 15/16	9 3/8	1 1/2	4 1/2	3 3/8	180,00	PHP 8-8V1500TB		
16,00	A-1			4545	15,80	2 1/4	4 15/16	9 3/8	1 1/2	4 1/2	3 3/8	160,00	PHP 8-8V1600TB		

* Mass does not include bushings.

Narrow wedge belt pulleys

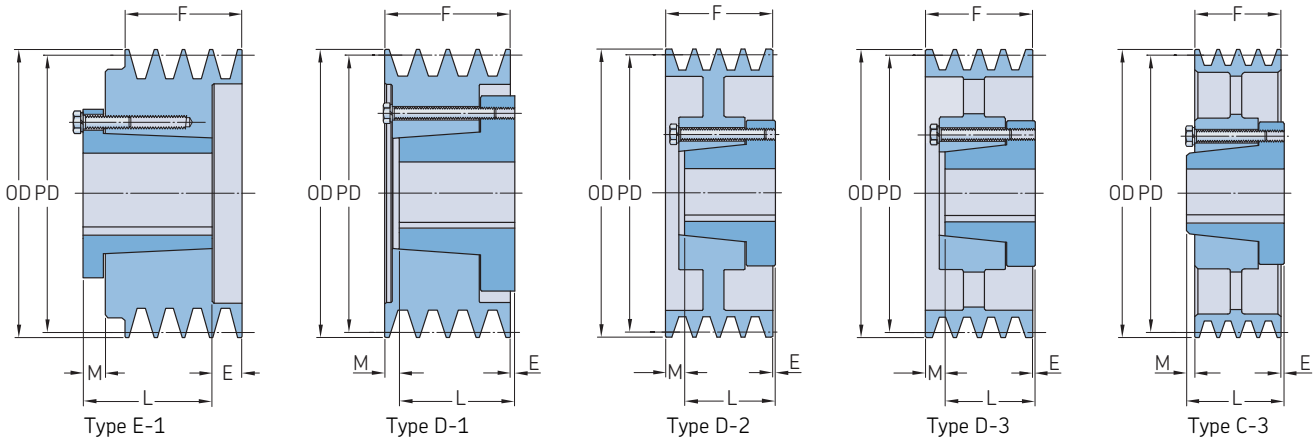
8V taper bushed

Section	Number of grooves	Pitch diameter PD	Pulley type	Bushing number	Dimensions							Mass*	Designation		
					Outer diameter OD	B Min.	Max.	F	E	L	M				
-	-	in.	-	-	in.							lbs.	-		
8V	8	17,00	A-2	5050	16,80	2 3/4	5	9 3/8	1 1/2	5	3 3/8	176,00	PHP 8-8V1700TB		
		18,00	A-2	5050	17,80	2 3/4	5	9 3/8	1	5	3 3/8	190,00	PHP 8-8V1800TB		
		19,00	A-2	5050	18,80	2 3/4	5	9 3/8	1	5	3 3/8	210,00	PHP 8-8V1900TB		
		20,00	A-2	5050	19,80	2 3/4	5	9 3/8	1	5	3 3/8	225,00	PHP 8-8V2000TB		
		21,20	A-2	5050	21,00	2 3/4	5	9 3/8	1	5	3 3/8	245,00	PHP 8-8V2100TB		
		22,40	A-3	5050	22,20	2 3/4	5	9 3/8	1	5	3 3/8	300,00	PHP 8-8V2240TB		
		24,80	A-3	5050	24,60	2 3/4	5	9 3/8	1	5	3 3/8	309,00	PHP 8-8V2480TB		
		30,00	A-3	5050	29,80	2 3/4	5	9 3/8	1	5	3 3/8	315,00	PHP 8-8V3000TB		
		35,50	A-3	5050	35,30	2 3/4	5	9 3/8	1	5	3 3/8	415,00	PHP 8-8V3550TB		
		40,00	A-3	5050	39,80	2 3/4	5	9 3/8	1	5	3 3/8	470,00	PHP 8-8V4000TB		
		44,50	A-3	5050	44,30	2 3/4	5	9 3/8	1	5	3 3/8	585,00	PHP 8-8V4450TB		
		53,00	A-3	6050	52,80	2 3/4	5	9 3/8	1	5	3 3/8	700,00	PHP 8-8V5300TB		
		8V	10	13,20	A-1	4545	13,00	2 3/4	4 15/16	11 5/8	1	4 1/2	6 1/8	150,00	PHP 10-8V1320TB
				14,00	A-1	4545	13,80	2 3/4	4 15/16	11 5/8	1	4 1/2	6 1/8	175,00	PHP 10-8V1400TB
				15,00	A-1	5050	14,80	2 3/4	5	11 5/8	1	5	5 5/8	175,00	PHP 10-8V1500TB
				16,00	A-1	5050	15,80	2 3/4	5	11 5/8	1	5	5 5/8	220,00	PHP 10-8V1600TB
17,00	A-2			5050	16,80	2 3/4	5	11 5/8	2 1/4	5	4 3/8	185,00	PHP 10-8V1700TB		
18,00	A-2			5050	17,80	2 3/4	5	11 5/8	2 1/4	5	4 3/8	220,00	PHP 10-8V1800TB		
19,00	A-2			5050	18,80	2 3/4	5	11 5/8	2 1/4	5	4 3/8	240,00	PHP 10-8V1900TB		
20,00	A-2			5050	19,80	2 3/4	5	11 5/8	2 1/4	5	4 3/8	260,00	PHP 10-8V2000TB		
21,20	A-2			5050	21,00	2 3/4	5	11 5/8	2 1/4	5	4 3/8	280,00	PHP 10-8V2120TB		
22,40	A-3			5050	22,20	2 3/4	5	11 5/8	2 1/4	5	4 3/8	335,00	PHP 10-8V2240TB		
24,80	A-3			5050	24,60	2 3/4	5	11 5/8	2 1/4	5	4 3/8	358,00	PHP 10-8V2480TB		
30,00	A-3			5050	29,80	2 3/4	5	11 5/8	2 1/4	5	4 3/8	370,00	PHP 10-8V3000TB		
35,50	A-3			5050	35,30	2 3/4	5	11 5/8	2 1/4	5	4 3/8	480,00	PHP 10-8V3550TB		
40,00	A-3			5050	39,80	2 3/4	5	11 5/8	2 1/4	5	4 3/8	550,00	PHP 10-8V4000TB		
44,50	A-3			6050	44,30	2 3/4	5	11 5/8	2 1/4	5	4 3/8	675,00	PHP 10-8V4450TB		
53,00	A-3			6050	52,80	2 3/4	5	11 5/8	2 1/4	5	4 3/8	870,00	PHP 10-8V5300TB		

* Mass does not include bushings.

Narrow wedge belt pulleys

3V QD bushed

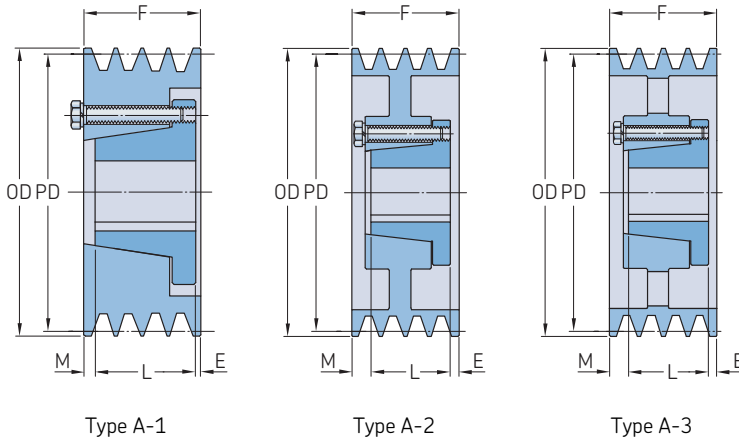


Section	Number of grooves	Pitch diameter PD	Pulley type	Bushing number	Dimensions							Mass*	Designation		
					Outer diameter OD	Bore Min.	Max.	E	F	L	M				
		in.			in.									lbs.	
3V	1	2,15	E-1	JA	2,20	1/2	1 1/4	5/8	11/16	1	15/16	0,4	PHP 1-3V220-JA		
		2,30	E-1	JA	2,35	1/2	1 1/4	19/32	11/16	1	29/32	0,4	PHP 1-3V235-JA		
		2,45	E-1	JA	2,50	1/2	1 1/4	19/32	11/16	1	29/32	0,5	PHP 1-3V250-JA		
		2,60	D-1	JA	2,65	1/2	1 1/4	3/8	11/16	1	1/16	0,6	PHP 1-3V265-JA		
		2,75	D-1	JA	2,80	1/2	1 1/4	3/8	11/16	1	1/16	0,7	PHP 1-3V280-JA		
		2,95	D-1	JA	3,00	1/2	1 1/4	3/8	11/16	1	1/16	0,8	PHP 1-3V300-JA		
		3,10	D-1	JA	3,15	1/2	1 1/4	3/8	11/16	1	1/16	0,9	PHP 1-3V315-JA		
		3,30	D-1	JA	3,35	1/2	1 1/4	3/8	11/16	1	1/16	1,0	PHP 1-3V335-JA		
		3,60	D-1	SH	3,65	1/2	1 5/8	21/32	11/16	1 5/16	1/32	1,3	PHP 1-3V365-SH		
		4,07	D-1	SH	4,12	1/2	1 5/8	21/32	11/16	1 5/16	1/32	1,8	PHP 1-3V412-SH		
	4,45	D-1	SH	4,50	1/2	1 5/8	21/32	11/16	1 5/16	1/32	2,1	PHP 1-3V450-SH			
	4,70	D-1	SH	4,75	1/2	1 5/8	21/32	11/16	1 5/16	1/32	2,4	PHP 1-3V475-SH			
	4,95	D-1	SH	5,00	1/2	1 5/8	21/32	11/16	1 5/16	1/32	2,7	PHP 1-3V500-SH			
	5,25	D-1	SH	5,30	1/2	1 5/8	21/32	11/16	1 5/16	1/32	2,9	PHP 1-3V530-SH			
	5,55	D-2	SH	5,60	1/2	1 5/8	21/32	11/16	1 5/16	1/32	3,0	PHP 1-3V560-SH			
	5,95	D-2	SH	6,00	1/2	1 5/8	21/32	11/16	1 5/16	1/32	3,2	PHP 1-3V600-SH			
	6,45	D-2	SH	6,50	1/2	1 5/8	21/32	11/16	1 5/16	1/32	4,2	PHP 1-3V650-SH			
	6,85	D-3	SH	6,90	1/2	1 5/8	21/32	11/16	1 5/16	1/32	4,4	PHP 1-3V690-SH			
	7,95	D-3	SDS	8,00	1/2	2	21/32	11/16	1 5/16	1/32	5,8	PHP 1-3V800-SDS			
	10,55	D-3	SDS	10,60	1/2	2	21/32	11/16	1 5/16	1/32	7,9	PHP 1-3V1060-SDS			
13,95	C-3	SK	14,00	1/2	2 5/8	25/32	11/16	1 5/16	15/32	14,8	PHP 1-3V1400-SK				
18,95	C-3	SK	19,00	1/2	2 5/8	25/32	11/16	1 5/16	15/32	24,0	PHP 1-3V1900-SK				
3V	2	2,15	E-1	JA	2,20	1/2	1 1/4	11/32	1 3/32	1	15/16	0,6	PHP 2-3V220-JA		
		2,30	E-1	JA	2,35	1/2	1 1/4	1	1 3/32	1	29/32	0,6	PHP 2-3V235-JA		
		2,45	E-1	JA	2,50	1/2	1 1/4	1	1 3/32	1	29/32	0,7	PHP 2-3V250-JA		
		2,60	D-1	JA	2,65	1/2	1 1/4	3/8	1 3/32	1	15/32	0,8	PHP 2-3V265-JA		
		2,75	D-1	JA	2,80	1/2	1 1/4	3/8	1 3/32	1	15/32	0,9	PHP 2-3V280-JA		
		2,95	D-1	JA	3,00	1/2	1 1/4	3/8	1 3/32	1	15/32	1,2	PHP 2-3V300-JA		
		3,10	D-1	JA	3,15	1/2	1 1/4	3/8	1 3/32	1	15/32	1,2	PHP 2-3V315-JA		
		3,30	D-1	SH	3,35	1/2	1 5/8	17/32	1 3/32	1 5/16	5/16	1,3	PHP 2-3V335-SH		
		3,60	D-1	SH	3,65	1/2	1 5/8	17/32	1 3/32	1 5/16	5/16	1,5	PHP 2-3V365-SH		
		4,07	D-1	SH	4,12	1/2	1 5/8	11/32	1 3/32	1 5/16	1/8	2,2	PHP 2-3V412-SH		
	4,45	D-1	SH	4,50	1/2	1 5/8	11/32	1 3/32	1 5/16	1/8	2,7	PHP 2-3V450-SH			
	4,70	D-1	SH	4,75	1/2	1 5/8	11/32	1 3/32	1 5/16	1/8	3,1	PHP 2-3V475-SH			
	4,95	D-1	SH	5,00	1/2	1 5/8	11/32	1 3/32	1 5/16	1/8	3,4	PHP 2-3V500-SH			
	5,25	D-1	SH	5,30	1/2	1 5/8	11/32	1 3/32	1 5/16	1/8	3,9	PHP 2-3V530-SH			
	5,55	D-2	SH	5,60	1/2	1 5/8	11/32	1 3/32	1 5/16	1/8	4,0	PHP 2-3V560-SH			
	5,95	D-2	SH	6,00	1/2	1 5/8	11/32	1 3/32	1 5/16	1/8	4,4	PHP 2-3V600-SH			
	6,45	D-2	SDS	6,50	1/2	2	11/32	1 3/32	1 5/16	1/8	6,0	PHP 2-3V650-SDS			
	6,85	D-2	SDS	6,90	1/2	2	11/32	1 3/32	1 5/16	1/8	7,5	PHP 2-3V690-SDS			
	7,95	D-3	SDS	8,00	1/2	2	11/32	1 3/32	1 5/16	1/8	8,5	PHP 2-3V800-SDS			
	10,55	C-3	SK	10,60	1/2	2 5/8	17/32	1 3/32	1 5/16	5/16	12,5	PHP 2-3V1060-SK			
13,95	C-3	SK	14,00	1/2	2 5/8	17/32	1 3/32	1 5/16	5/16	19,5	PHP 2-3V1400-SK				
18,95	C-3	SK	19,00	1/2	2 5/8	17/32	1 3/32	1 5/16	5/16	27,0	PHP 2-3V1900-SK				
24,95	C-3	SF	25,00	1/2	2 15/16	19/32	1 3/32	2 1/16	3/8	38,0	PHP 2-3V2500-SF				
3V	3	2,45	E-1	JA	2,50	1/2	1 1/4	1 13/32	1 1/2	1	29/32	0,8	PHP 3-3V250-JA		
		2,60	D-1	JA	2,65	1/2	1 1/4	3/8	1 1/2	1	7/8	1,0	PHP 3-3V265-JA		
		2,75	D-1	JA	2,80	1/2	1 1/4	3/8	1 1/2	1	7/8	1,4	PHP 3-3V280-JA		
		2,95	E-1	SH	3,00	1/2	1 5/8	1 1/32	1 1/2	1 5/16	31/32	1,7	PHP 3-3V300-SH		
		3,10	E-1	SH	3,15	1/2	1 5/8	1 5/32	1 1/2	1 5/16	31/32	1,8	PHP 3-3V315-SH		
	3,30	D-1	SH	3,35	1/2	1 5/8	17/32	1 1/2	1 5/16	23/32	1,9	PHP 3-3V335-SH			
	3,60	D-1	SH	3,65	1/2	1 5/8	17/32	1 1/2	1 5/16	23/32	2,3	PHP 3-3V365-SH			
	4,07	A-1	SH	4,12	1/2	1 5/8	1/32	1 1/2	1 5/16	5/32	2,8	PHP 3-3V412-SH			

* Mass does not include bushings.

Narrow wedge belt pulleys

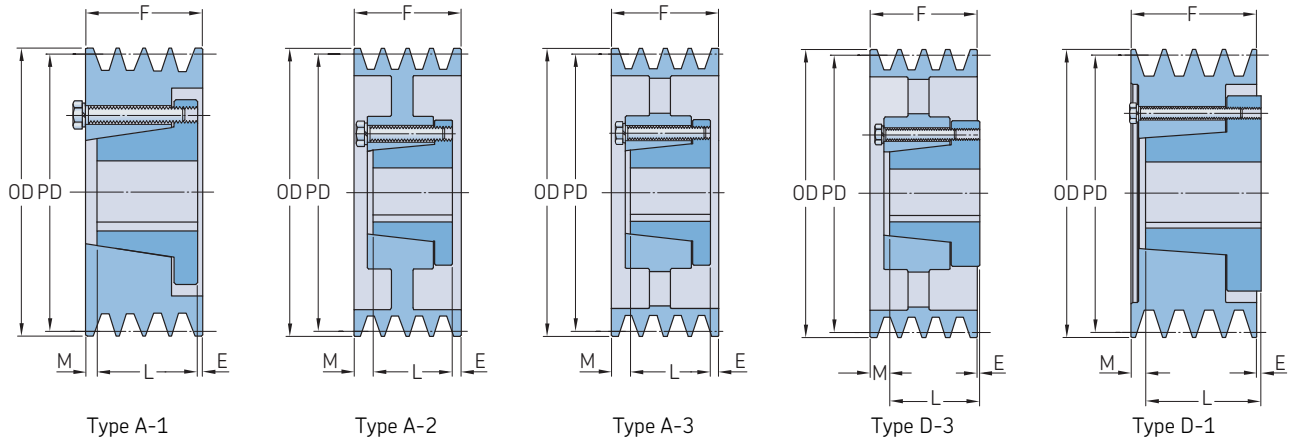
3V QD bushed



Section	Number of grooves	Pitch diameter PD	Pulley type	Bushing number	Dimensions							Mass*	Designation		
					Outer diameter OD	Bore Min.	Max.	E	F	L	M				
		in.			in.							lbs.			
3V	3	4,45	A-1	SDS	4,50	1/2	2	1/32	1 1/2	1 5/16	5/32	3,5	PHP 3-3V450-SDS		
		4,70	A-1	SDS	4,75	1/2	2	1/32	1 1/2	1 5/16	5/32	4,0	PHP 3-3V475-SDS		
		4,95	A-1	SDS	5,00	1/2	2	1/32	1 1/2	1 5/16	5/32	4,5	PHP 3-3V500-SDS		
		5,25	A-1	SDS	5,30	1/2	2	1/32	1 1/2	1 5/16	5/32	5,2	PHP 3-3V530-SDS		
		5,55	A-1	SDS	5,60	1/2	2	1/32	1 1/2	1 5/16	5/32	6,0	PHP 3-3V560-SDS		
		5,95	A-2	SDS	6,00	1/2	2	1/32	1 1/2	1 5/16	5/32	7,0	PHP 3-3V600-SDS		
		6,45	A-2	SDS	6,50	1/2	2	1/32	1 1/2	1 5/16	5/32	8,1	PHP 3-3V650-SDS		
		6,85	A-2	SDS	6,90	1/2	2	1/32	1 1/2	1 5/16	5/32	8,9	PHP 3-3V690-SDS		
		7,95	D-2	SK	8,00	1/2	2 5/8	17/32	1 1/2	1 5/16	3/32	11,3	PHP 3-3V800-SK		
		10,55	D-3	SK	10,60	1/2	2 5/8	17/32	1 1/2	1 5/16	3/32	14,0	PHP 3-3V1060-SK		
		13,95	D-3	SK	14,00	1/2	2 5/8	17/32	1 1/2	1 5/16	3/32	21,6	PHP 3-3V1400-SK		
		15,95	D-3	SK	16,00	1/2	2 5/8	17/32	1 1/2	1 5/16	3/32	25,2	PHP 3-3V1600-SK		
		18,95	D-3	SF	19,00	1/2	2 15/16	19/32	1 1/2	2 1/16	1/32	32,1	PHP 3-3V1900-SF		
		24,95	D-3	SF	25,00	1/2	2 15/16	19/32	1 1/2	2 1/16	1/32	50,0	PHP 3-3V2500-SF		
		33,45	D-3	SF	33,50	7/8	3 1/2	19/32	1 1/2	2 1/16	1/32	78,0	PHP 3-3V3350-SF		
		3V	4	2,60	D-1	JA	2,65	1/2	1 1/4	3/8	1 29/32	1	19/32	1,3	PHP 4-3V265-JA
				2,75	D-1	JA	2,80	1/2	1 1/4	3/8	1 29/32	1	19/32	1,7	PHP 4-3V280-JA
				2,95	E-1	SH	3,00	1/2	1 5/8	1/2	1 29/32	1 5/16	29/32	2,0	PHP 4-3V300-SH
3,10	E-1			SH	3,15	1/2	1 5/8	1/2	1 29/32	1 5/16	29/32	2,2	PHP 4-3V315-SH		
3,30	D-1			SH	3,35	1/2	1 5/8	17/32	1 29/32	1 5/16	1 1/8	2,3	PHP 4-3V335-SH		
3,60	D-1			SH	3,65	1/2	1 5/8	17/32	1 29/32	1 5/16	1 1/8	2,8	PHP 4-3V365-SH		
4,07	A-1			SH	4,12	1/2	1 5/8	5/32	1 29/32	1 5/16	7/16	3,4	PHP 4-3V412-SH		
4,45	A-1			SDS	4,50	1/2	2	5/32	1 29/32	1 5/16	7/16	4,0	PHP 4-3V450-SDS		
4,70	A-1			SDS	4,75	1/2	2	5/32	1 29/32	1 5/16	7/16	4,6	PHP 4-3V475-SDS		
4,95	A-1			SDS	5,00	1/2	2	5/32	1 29/32	1 5/16	7/16	5,2	PHP 4-3V500-SDS		
5,25	A-1			SDS	5,30	1/2	2	5/32	1 29/32	1 5/16	7/16	5,8	PHP 4-3V530-SDS		
5,55	A-1			SDS	5,60	1/2	2	5/32	1 29/32	1 5/16	7/16	6,8	PHP 4-3V560-SDS		
5,95	D-1			SK	6,00	1/2	2 5/8	5/32	1 29/32	1 5/16	1/8	8,3	PHP 4-3V600-SK		
6,45	D-1			SK	6,50	1/2	2 5/8	5/32	1 29/32	1 5/16	1/8	10,0	PHP 4-3V650-SK		
6,85	D-1			SK	6,90	1/2	2 5/8	5/32	1 29/32	1 5/16	1/8	11,9	PHP 4-3V690-SK		
7,95	D-2			SK	8,00	1/2	2 5/8	5/32	1 29/32	1 5/16	1/8	13,0	PHP 4-3V800-SK		
10,55	D-3			SK	10,60	1/2	2 5/8	5/32	1 29/32	1 5/16	1/8	16,5	PHP 4-3V1060-SK		
13,95	D-3			SK	14,00	1/2	2 5/8	5/32	1 29/32	1 5/16	1/8	22,5	PHP 4-3V1400-SK		
15,95	D-3			SK	16,00	1/2	2 5/8	5/32	1 29/32	1 5/16	1/8	27,8	PHP 4-3V1600-SK		
18,95	D-3			SF	19,00	1/2	2 15/16	7/32	1 29/32	2 1/16	1/16	35,0	PHP 4-3V1900-SF		
24,95	D-3			SF	25,00	1/2	2 15/16	7/32	1 29/32	2 1/16	1/16	57,0	PHP 4-3V2500-SF		
33,45	C-3			E	33,50	7/8	3 1/2	21/32	1 29/32	2 3/4	3/16	84,0	PHP 4-3V3350-E		
3V	5			4,70	A-1	SDS	4,75	1/2	2	5/32	2 5/16	1 15/16	27/32	5,1	PHP 5-3V475-SDS
				4,95	A-1	SDS	5,00	1/2	2	5/32	2 5/16	1 15/16	27/32	5,7	PHP 5-3V500-SDS
		5,25	A-1	SK	5,30	1/2	2 5/8	5/32	2 5/16	1 15/16	7/32	6,5	PHP 5-3V530-SK		
		5,55	A-1	SK	5,60	1/2	2 5/8	5/32	2 5/16	1 15/16	7/32	7,5	PHP 5-3V560-SK		
		5,95	A-1	SK	6,00	1/2	2 5/8	5/32	2 5/16	1 15/16	7/32	8,9	PHP 5-3V600-SK		
		6,45	A-2	SK	6,50	1/2	2 5/8	5/32	2 5/16	1 15/16	7/32	10,6	PHP 5-3V650-SK		
		6,85	A-2	SK	6,90	1/2	2 5/8	5/32	2 5/16	1 15/16	7/32	12,8	PHP 5-3V690-SK		
		7,95	A-2	SK	8,00	1/2	2 5/8	5/32	2 5/16	1 15/16	7/32	13,8	PHP 5-3V800-SK		
		10,55	A-3	SK	10,60	1/2	2 5/8	5/32	2 5/16	1 15/16	7/32	17,0	PHP 5-3V1060-SK		
		13,95	A-3	SF	14,00	1/2	2 15/16	1/32	2 5/16	2 15/16	7/32	26,0	PHP 5-3V1400-SF		
		18,95	A-3	SF	19,00	1/2	2 15/16	1/32	2 5/16	2 15/16	7/32	41,0	PHP 5-3V1900-SF		
		24,95	D-3	E	25,00	7/8	3 1/2	17/32	2 5/16	2 3/4	3/32	63,0	PHP 5-3V2500-E		
		33,45	D-3	E	33,50	7/8	3 1/2	17/32	2 5/16	2 3/4	3/32	95,0	PHP 5-3V3350-E		
		3V	6	4,70	D-1	SK	4,75	1/2	2 5/8	21/32	2 23/32	1 15/16	1 7/16	6,0	PHP 6-3V475-SK
				4,95	D-1	SK	5,00	1/2	2 5/8	21/32	2 23/32	1 15/16	1 7/16	6,3	PHP 6-3V500-SK
5,25	A-1			SK	5,30	1/2	2 5/8	17/32	2 23/32	1 15/16	1/4	6,9	PHP 6-3V530-SK		

* Mass does not include bushings.

Narrow wedge belt pulleys
 3V QD bushed | 5V QD bushed

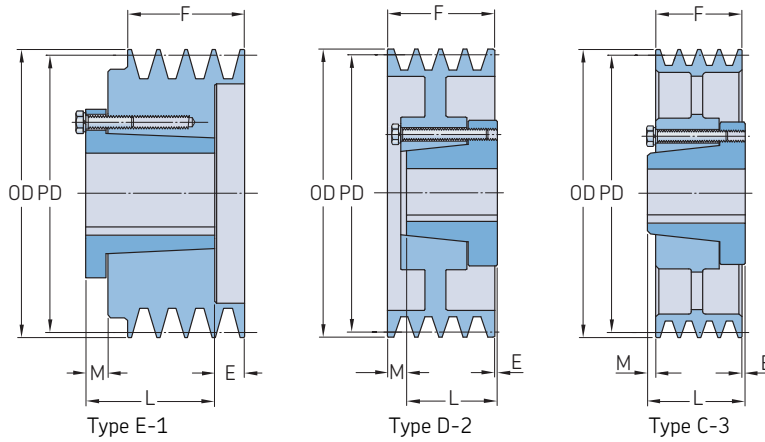


Section	Number of grooves	Pitch diameter PD	Pulley type	Bushing number	Dimensions							Mass*	Designation		
					Outer diameter OD	Bore Min.	Max.	E	F	L	M				
		in.			in.							lbs.			
3V	6	5,55	A-1	SK	5,60	1/2	2 5/8	17/32	2 23/32	1 15/16	1/4	8,5	PHP 6-3V560-SK		
		5,95	A-1	SK	6,00	1/2	2 5/8	17/32	2 23/32	1 15/16	1/4	9,8	PHP 6-3V600-SK		
		6,45	A-1	SK	6,50	1/2	2 5/8	17/32	2 23/32	1 15/16	1/4	11,4	PHP 6-3V650-SK		
		6,85	A-1	SK	6,90	1/2	2 5/8	17/32	2 23/32	1 15/16	1/4	13,4	PHP 6-3V690-SK		
		7,95	A-2	SK	8,00	1/2	2 15/16	3/32	2 23/32	1 15/16	11/16	15,0	PHP 6-3V800-SK		
	3V	8	10,55	A-3	SF	10,60	1/2	2 15/16	1/32	2 23/32	2 15/16	5/8	22,6	PHP 6-3V1060-SF	
			13,95	A-3	SF	14,00	7/8	3 1/2	1/32	2 23/32	2 15/16	5/8	29,5	PHP 6-3V1400-SF	
			18,95	D-3	E	19,00	7/8	3 1/2	5/32	2 23/32	2 3/4	1/8	44,0	PHP 6-3V1900-E	
			24,95	D-3	E	25,00	7/8	3 1/2	5/32	2 23/32	2 3/4	1/8	65,0	PHP 6-3V2500-E	
			33,45	D-3	E	33,50	7/8	3 1/2	5/32	2 23/32	2 3/4	1/8	101,0	PHP 6-3V3500-E	
			4,70	D-1	SK	4,75	1/2	2 5/8	21/32	3 17/32	1 15/16	2 1/4	7,2	PHP 8-3V475-SK	
			4,95	D-1	SK	5,00	1/2	2 5/8	21/32	3 17/32	1 15/16	2 1/4	7,8	PHP 8-3V500-SK	
			5,25	A-1	SK	5,30	1/2	2 5/8	17/32	3 17/32	1 15/16	1 1/16	9,3	PHP 8-3V530-SK	
			5,55	A-1	SK	5,60	1/2	2 5/8	17/32	3 17/32	1 15/16	1 1/16	10,5	PHP 8-3V560-SK	
			5,95	A-1	SK	6,00	1/2	2 5/8	17/32	3 17/32	1 15/16	1 1/16	12,5	PHP 8-3V600-SK	
3V	10	6,45	A-1	SK	6,50	1/2	2 5/8	17/32	3 17/32	1 15/16	1 1/16	16,0	PHP 8-3V650-SK		
		6,85	A-1	SK	6,90	1/2	2 5/8	17/32	3 17/32	1 15/16	1 1/16	18,0	PHP 8-3V690-SK		
		7,95	A-1	SF	8,00	1/2	2 15/16	9/32	3 17/32	2 15/16	13/16	21,0	PHP 8-3V800-SF		
		10,55	A-2	SF	10,60	1/2	2 15/16	9/32	3 17/32	2 15/16	13/16	25,5	PHP 8-3V1060-SF		
		13,95	A-3	E	14,00	7/8	3 1/2	3/32	3 17/32	2 3/4	11/16	38,5	PHP 8-3V1400-E		
		18,95	A-3	E	19,00	7/8	3 1/2	3/32	3 17/32	2 3/4	11/16	54,0	PHP 8-3V1900-E		
		24,95	A-3	E	25,00	7/8	3 1/2	3/32	3 17/32	2 3/4	11/16	80,0	PHP 8-3V2500-E		
		33,45	D-3	F	33,50	1	4	9/32	3 17/32	3 3/4	11/16	32,0	PHP 8-3V3350-F		
		4,70	D-1	SK	4,75	1/2	2 5/8	21/32	4 11/32	1 15/16	3 1/16	8,3	PHP 10-3V475-SK		
		4,95	D-1	SK	5,00	1/2	2 5/8	21/32	4 11/32	1 15/16	3 1/16	9,5	PHP 10-3V500-SK		
		5,25	A-1	SK	5,30	1/2	2 5/8	21/32	4 11/32	1 15/16	1 3/4	10,2	PHP 10-3V530-SK		
		5,55	A-1	SK	5,60	1/2	2 5/8	21/32	4 11/32	1 15/16	1 3/4	11,4	PHP 10-3V560-SK		
		5,95	A-1	SK	6,00	1/2	2 5/8	21/32	4 11/32	1 15/16	1 3/4	14,5	PHP 10-3V600-SK		
		3V	10	6,45	A-1	SK	6,50	1/2	2 5/8	21/32	4 11/32	1 15/16	1 3/4	17,5	PHP 10-3V650-SK
				6,85	A-1	SK	6,90	1/2	2 5/8	21/32	4 11/32	1 15/16	1 3/4	20,0	PHP 10-3V690-SK
7,95	A-1			SF	8,00	1/2	2 15/16	21/32	4 11/32	2 1/16	1 5/8	24,0	PHP 10-3V800-SF		
10,55	A-2			E	10,60	7/8	3 1/2	3/32	4 11/32	2 1/16	1 1/2	30,2	PHP 10-3V1060-E		
13,95	A-3			E	14,00	7/8	3 1/2	3/32	4 11/32	2 1/16	1 1/2	42,8	PHP 10-3V1400-E		
18,95	A-3			E	19,00	7/8	3 1/2	3/32	4 11/32	2 1/16	1 1/2	64,0	PHP 10-3V1900-E		
24,95	D-3			F	25,00	1	4	1/32	4 11/32	3 3/4	5/8	99,0	PHP 10-3V2500-F		
33,45	D-3			F	33,50	1	4	1/32	4 11/32	4 3/4	5/8	158,0	PHP 10-3V3350-F		
5V	2			4,30	D-1	SH	4,40	1/2	1 5/8	11/32	1 11/16	1 5/16	23/32	5,8	PHP 2-5V440-SH
				4,55	E-1	SDS	4,65	1/2	2	27/32	1 11/16	1 5/16	15/32	6,6	PHP 2-5V465-SDS
		4,80	A-1	SDS	4,90	1/2	2	1/32	1 11/16	1 5/16	11/32	6,8	PHP 2-5V490-SDS		
		5,10	A-1	SDS	5,20	1/2	2	1/32	1 11/16	1 5/16	11/32	7,0	PHP 2-5V520-SDS		
		5,40	A-1	SDS	5,50	1/2	2	1/32	1 11/16	1 5/16	11/32	7,2	PHP 2-5V550-SDS		
		5,80	A-1	SDS	5,90	1/2	2	1/32	1 11/16	1 5/16	11/32	7,6	PHP 2-5V590-SDS		
		6,20	D-1	SK	6,30	1/2	2 5/8	11/32	1 11/16	1 15/16	3/32	9,4	PHP 2-5V630-SK		
		6,60	D-1	SK	6,70	1/2	2 5/8	11/32	1 11/16	1 15/16	3/32	10,5	PHP 2-5V670-SK		
		7,00	D-1	SK	7,10	1/2	2 5/8	11/32	1 11/16	1 15/16	3/32	11,5	PHP 2-5V710-SK		
		7,40	D-1	SK	7,50	1/2	2 5/8	11/32	1 11/16	1 15/16	3/32	12,5	PHP 2-5V750-SK		
		7,90	D-2	SK	8,00	1/2	2 5/8	11/32	1 11/16	1 15/16	3/32	13,0	PHP 2-5V800-SK		
		8,40	D-2	SK	8,50	1/2	2 5/8	11/32	1 11/16	1 15/16	3/32	14,0	PHP 2-5V850-SK		
		8,90	D-3	SK	9,00	1/2	2 5/8	11/32	1 11/16	1 5/16	3/32	15,2	PHP 2-5V900-SK		
		9,15	D-3	SK	9,25	1/2	2 5/8	11/32	1 11/16	1 5/16	3/32	15,3	PHP 2-5V925-SK		
		9,65	D-3	SK	9,75	1/2	2 5/8	11/32	1 11/16	1 15/16	3/32	15,5	PHP 2-5V975-SK		
		10,20	D-3	SK	10,30	1/2	2 5/8	11/32	1 11/16	1 15/16	3/32	15,5	PHP 2-5V1030-SK		
		10,80	D-3	SK	10,90	1/2	2 5/8	11/32	1 11/16	1 15/16	3/32	16,5	PHP 2-5V1090-SK		

* Mass does not include bushings.

Narrow wedge belt pulleys

5V QD bushed

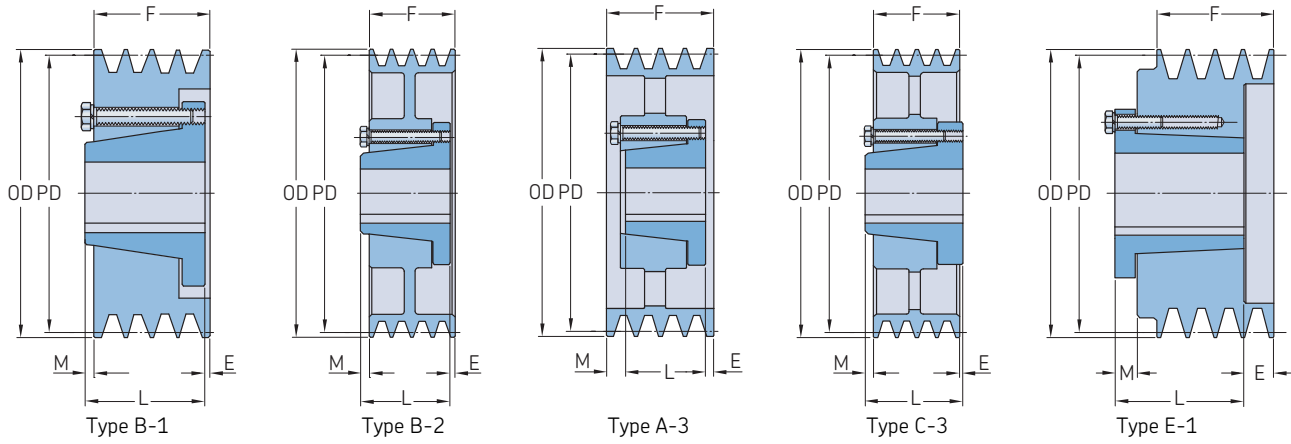


Section	Number of grooves	Pitch diameter PD	Pulley type	Bushing number	Dimensions							Mass*	Designation		
					Outer diameter OD	Bore Min.	Max.	E	F	L	M				
		in.			in.							lbs.			
5V	2	11,20	D-3	SK	11,30	1/2	2 5/8	11/32	1 11/16	1 15/16	3/32	17,8	PHP 2-5V1130-SK		
		11,70	D-3	SK	11,80	1/2	2 5/8	11/32	1 11/16	1 15/16	3/32	19,0	PHP 2-5V1180-SK		
		12,40	D-3	SF	12,50	1/2	2 15/16	13/32	1 11/16	2 1/16	1/32	21,0	PHP 2-5V1250-SF		
		13,10	D-3	SF	13,20	1/2	2 15/16	13/32	1 11/16	2 1/16	1/32	22,6	PHP 2-5V1320-SF		
		13,90	D-3	SF	14,00	1/2	2 15/16	13/32	1 11/16	2 1/16	1/32	25,3	PHP 2-5V1400-SF		
		14,90	D-3	SF	15,00	1/2	2 15/16	13/32	1 11/16	2 1/16	1/32	27,4	PHP 2-5V1500-SF		
		15,90	D-3	SF	16,00	1/2	2 15/16	13/32	1 11/16	2 1/16	1/32	29,2	PHP 2-5V1600-SF		
		18,60	D-3	SF	18,70	1/2	2 15/16	13/32	1 11/16	2 1/16	1/32	36,0	PHP 2-5V1870-SF		
		21,10	D-3	SF	21,20	1/2	2 15/16	13/32	1 11/16	1 1/16	1/32	43,0	PHP 2-5V2120-SF		
		23,50	C-3	E	23,60	7/8	3 1/2	29/32	1 11/16	2 3/4	5/32	55,0	PHP 2-5V2360-E		
		27,90	C-3	E	28,00	7/8	3 1/2	29/32	1 11/16	2 3/4	5/32	67,0	PHP 2-5V2800-E		
		5V	3	4,30	E-1	SDS	4,40	1/2	2	1 23/32	2 3/8	1 5/16	21/32	6,5	PHP 3-5V440-SDS
				4,55	E-1	SDS	4,65	1/2	2	1 23/32	2 3/8	1 5/16	21/32	7,6	PHP 3-5V465-SDS
				4,80	A-1	SDS	4,90	1/2	2	13/32	2 3/8	1 5/16	21/32	7,8	PHP 3-5V490-SDS
				5,10	A-1	SDS	5,20	1/2	2	13/32	2 3/8	1 5/16	21/32	8,0	PHP 3-5V520-SDS
				5,40	A-1	SDS	5,50	1/2	2	13/32	2 3/8	1 5/16	21/32	8,2	PHP 3-5V550-SDS
5,80	A-1			SDS	5,90	1/2	2	13/32	2 3/8	1 5/16	21/32	8,6	PHP 3-5V590-SDS		
6,20	A-1			SK	6,30	1/2	2 5/8	9/32	2 3/8	1 15/16	5/32	10,4	PHP 3-5V630-SK		
6,60	A-1			SK	6,70	1/2	2 5/8	9/32	2 3/8	1 15/16	5/32	11,7	PHP 3-5V670-SK		
7,00	A-1			SF	7,10	1/2	2 15/16	5/32	2 3/8	2 1/16	5/32	12,7	PHP 3-5V710-SF		
7,40	A-1			SF	7,50	1/2	2 15/16	5/32	2 3/8	2 1/16	5/32	15,0	PHP 3-5V750-SF		
7,90	A-1			SF	8,00	1/2	2 15/16	5/32	2 3/8	2 1/16	5/32	16,5	PHP 3-5V800-SF		
8,40	A-3			SF	8,50	1/2	2 15/16	5/32	2 3/8	2 1/16	5/32	18,0	PHP 3-5V850-SF		
8,90	A-3			SF	9,00	1/2	2 15/16	5/32	2 3/8	2 1/16	5/32	19,8	PHP 3-5V900-SF		
9,15	A-3			SF	9,25	1/2	2 15/16	5/32	2 3/8	2 1/16	5/32	20,7	PHP 3-5V925-SF		
9,65	A-3			SF	9,75	1/2	2 15/16	5/32	2 3/8	2 1/16	5/32	22,6	PHP 3-5V975-SF		
10,20	A-3			SF	10,30	1/2	2 15/16	5/32	2 3/8	2 1/16	5/32	24,6	PHP 3-5V1030-SF		
10,80	A-3			SF	10,90	1/2	2 15/16	5/32	2 3/8	2 1/16	5/32	26,7	PHP 3-5V1090-SF		
11,20	A-3			SF	11,30	1/2	2 15/16	5/32	2 3/8	2 1/16	5/32	28,2	PHP 3-5V1130-SF		
11,70	D-3			SF	11,80	1/2	2 15/16	5/32	2 3/8	2 1/16	5/32	29,7	PHP 3-5V1180-SF		
12,40	D-3			E	12,50	7/8	3 1/2	13/32	2 3/8	2 3/4	1/32	34,0	PHP 3-5V1250-E		
13,10	D-3			E	13,20	7/8	3 1/2	13/32	2 3/8	2 3/4	1/32	35,0	PHP 3-5V1320-E		
13,90	D-3			E	14,00	7/8	3 1/2	13/32	2 3/8	2 3/4	1/32	37,0	PHP 3-5V1400-E		
14,90	D-3			E	15,00	7/8	3 1/2	13/32	2 3/8	2 3/4	1/32	38,0	PHP 3-5V1500-E		
15,90	D-3			E	16,00	7/8	3 1/2	13/32	2 3/8	2 3/4	1/32	39,2	PHP 3-5V1600-E		
18,60	D-3			E	18,70	7/8	3 1/2	13/32	2 3/8	2 3/4	1/32	47,2	PHP 3-5V1870-E		
21,10	D-3			E	21,20	7/8	3 1/2	13/32	2 3/8	2 3/4	1/32	55,0	PHP 3-5V2120-E		
23,50	D-3			E	23,60	7/8	3 1/2	13/32	2 3/8	2 3/4	1/32	70,2	PHP 3-5V2360-E		
27,90	D-3			E	28,00	7/8	3 1/2	13/32	2 3/8	2 3/4	1/32	86,5	PHP 3-5V2800-E		
31,40	C-3			F	31,50	1	4	25/32	2 3/8	3 3/4	19/32	116,0	PHP 3-5V3150-F		
37,40	C-3			F	37,50	1	4	25/32	2 3/8	3 3/4	19/32	141,0	PHP 3-5V3750-F		
49,90	C-3			F	50,00	1	4	25/32	2 3/8	3 3/4	19/32	211,0	PHP 3-5V5000-F		
5V	4			4,30	E-1	SD	4,40	1/2	2	1 29/32	3 1/16	1 13/16	21/32	7,5	PHP 4-5V440-SD
		4,55	E-1	SD	4,65	1/2	2	1 29/32	3 1/16	1 13/16	21/32	8,0	PHP 4-5V465-SD		
		4,80	A-1	SD	4,90	1/2	2	21/32	3 1/16	1 13/16	19/32	8,5	PHP 4-5V490-SD		
		5,10	A-1	SD	5,20	1/2	2	21/32	3 1/16	1 13/16	19/32	8,8	PHP 4-5V520-SD		
		5,40	A-1	SD	5,50	1/2	2	21/32	3 1/16	1 13/16	19/32	9,3	PHP 4-5V550-SD		
		5,80	A-1	SD	5,90	1/2	2	21/32	3 1/16	1 13/16	19/32	10,1	PHP 4-5V590-SD		
		6,20	A-1	SK	6,30	1/2	2 5/8	17/32	3 1/16	1 15/16	19/32	11,8	PHP 4-5V630-SK		
		6,60	A-1	SK	6,70	1/2	2 5/8	17/32	3 1/16	1 15/16	19/32	13,6	PHP 4-5V670-SK		
		7,00	A-1	SF	7,10	1/2	2 15/16	7/32	3 1/16	2 1/16	25/32	14,9	PHP 4-5V710-SF		
		7,40	A-1	SF	7,50	1/2	2 15/16	7/32	3 1/16	2 1/16	25/32	17,0	PHP 4-5V750-SF		

* Mass does not include bushings.

Narrow wedge belt pulleys

5V QD bushed

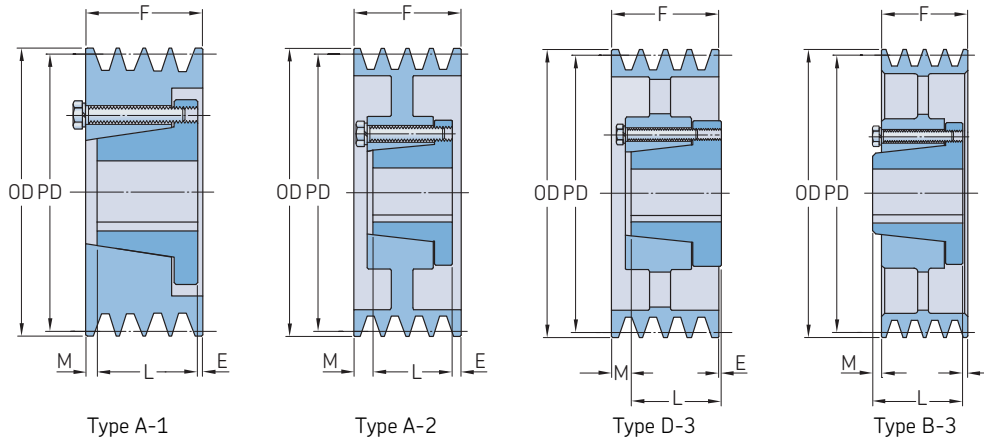


Section	Number of grooves	Pitch diameter PD	Pulley type	Bushing number	Dimensions							Mass*	Designation
					Outer diameter OD	Bore Min.	Max.	E	F	L	M		
		in.			in.							lbs.	
5V	4	7,90	B-1	E	8,00	7/8	3 1/2	11/32	3 1/16	2 3/4	1/32	18,8	PHP 4-5V800-E
		8,40	B-1	E	8,50	7/8	3 1/2	11/32	3 1/16	2 3/4	1/32	21,9	PHP 4-5V850-E
		8,90	B-1	E	9,00	7/8	3 1/2	11/32	3 1/16	2 3/4	1/32	24,2	PHP 4-5V900-E
		9,15	B-1	E	9,25	7/8	3 1/2	11/32	3 1/16	2 3/4	1/32	25,8	PHP 4-5V925-E
		9,65	B-1	E	9,75	7/8	3 1/2	11/32	3 1/16	2 3/4	1/32	28,2	PHP 4-5V975-E
		10,20	B-1	E	10,30	7/8	3 1/2	11/32	3 1/16	2 3/4	1/32	29,8	PHP 4-5V1030-E
		10,80	B-2	E	10,90	7/8	3 1/2	11/32	3 1/16	2 3/4	1/32	30,6	PHP 4-5V1090-E
		11,20	A-3	E	11,30	7/8	3 1/2	9/32	3 1/16	2 3/4	1/32	31,9	PHP 4-5V1130-E
		11,70	B-2	E	11,80	7/8	3 1/2	11/32	3 1/16	2 3/4	1/32	33,0	PHP 4-5V1180-E
		12,40	A-3	E	12,50	7/8	3 1/2	9/32	3 1/16	2 3/4	1/32	36,4	PHP 4-5V1250-E
		13,10	A-3	E	13,20	7/8	3 1/2	9/32	3 1/16	2 3/4	1/32	38,2	PHP 4-5V1320-E
		13,90	A-3	E	14,00	7/8	3 1/2	9/32	3 1/16	2 3/4	1/32	40,2	PHP 4-5V1400-E
		14,90	A-3	E	15,00	7/8	3 1/2	9/32	3 1/16	2 3/4	1/32	43,5	PHP 4-5V1500-E
		15,90	A-3	E	16,00	7/8	3 1/2	9/32	3 1/16	2 3/4	1/32	44,6	PHP 4-5V1600-E
		18,60	A-3	E	18,70	7/8	3 1/2	3/32	3 1/16	2 3/4	1/32	53,6	PHP 4-5V1870-E
		21,10	A-3	E	21,20	7/8	3 1/2	3/32	3 1/16	2 3/4	1/32	62,5	PHP 4-5V2120-E
		23,50	C-3	F	23,60	1	4	15/32	3 1/16	3 3/4	7/32	83,5	PHP 4-5V2360-F
		27,90	C-3	F	28,00	1	4	15/32	3 1/16	3 3/4	7/32	126,0	PHP 4-5V2800-F
		31,40	C-3	F	31,50	1	4	15/32	3 1/16	3 3/4	7/32	148,0	PHP 4-5V3150-F
		37,40	C-3	F	37,50	1	4	15/32	3 1/16	3 3/4	7/32	170,0	PHP 4-5V3750-F
49,90	C-3	J	50,00	1 1/2	4 1/2	3/4	3 1/16	4 5/8	13/16	248,0	PHP 4-5V5000-J		
5V	5	4,30	E-1	SD	4,40	1/2	2	2 19/32	3 3/4	1 13/16	21/32	8,9	PHP 5-5V440-SD
		4,55	E-1	SD	4,65	1/2	2	2 19/32	3 3/4	1 13/16	21/32	9,2	PHP 5-5V465-SD
		4,80	A-1	SD	4,90	1/2	2	2 1/2	3 3/4	1 13/16	19/32	10,1	PHP 5-5V490-SD
		5,10	A-1	SD	5,20	1/2	2	2 1/2	3 3/4	1 13/16	19/32	10,8	PHP 5-5V520-SD
		5,40	A-1	SD	5,50	1/2	2	2 1/2	3 3/4	1 13/16	19/32	12,0	PHP 5-5V550-SD
		5,80	A-1	SK	5,90	1/2	2 5/8	17/32	3 3/4	1 15/16	15/32	13,2	PHP 5-5V590-SK
		6,20	A-1	SK	6,30	1/2	2 5/8	17/32	3 3/4	1 15/16	15/32	15,9	PHP 5-5V630-SK
		6,60	A-1	SF	6,70	1/2	2 15/16	17/32	3 3/4	2 1/16	15/32	18,6	PHP 5-5V670-SF
		7,00	A-1	SF	7,10	1/2	2 15/16	17/32	3 3/4	2 1/16	13/32	21,7	PHP 5-5V710-SF
		7,40	A-1	SF	7,50	1/2	2 15/16	17/32	3 3/4	2 1/16	13/32	22,8	PHP 5-5V750-SF
		7,90	A-1	E	8,00	7/8	3 1/2	19/32	3 3/4	2 3/4	13/32	23,7	PHP 5-5V800-E
		8,40	A-1	E	8,50	7/8	3 1/2	19/32	3 3/4	2 3/4	13/32	24,8	PHP 5-5V850-E
		8,90	A-1	E	9,00	7/8	3 1/2	19/32	3 3/4	2 3/4	13/32	26,3	PHP 5-5V900-E
		9,15	A-1	E	9,25	7/8	3 1/2	19/32	3 3/4	2 3/4	13/32	28,2	PHP 5-5V925-E
		9,65	A-1	E	9,75	7/8	3 1/2	19/32	3 3/4	2 3/4	13/32	32,0	PHP 5-5V975-E
		10,20	A-2	E	10,30	7/8	3 1/2	19/32	3 3/4	2 3/4	13/32	33,0	PHP 5-5V1030-E
		10,80	A-2	E	10,90	7/8	3 1/2	19/32	3 3/4	2 3/4	13/32	35,0	PHP 5-5V1090-E
		11,20	A-3	E	11,30	7/8	3 1/2	19/32	3 3/4	2 3/4	13/32	36,5	PHP 5-5V1130-E
		11,70	A-3	E	11,80	7/8	3 1/2	19/32	3 3/4	2 3/4	13/32	38,0	PHP 5-5V1180-E
		12,40	A-3	E	12,50	7/8	3 1/2	19/32	3 3/4	2 3/4	13/32	40,8	PHP 5-5V1250-E
		13,10	A-3	E	13,20	7/8	3 1/2	19/32	3 3/4	2 3/4	13/32	42,3	PHP 5-5V1320-E
		13,90	A-3	E	14,00	7/8	3 1/2	19/32	3 3/4	2 3/4	13/32	44,6	PHP 5-5V1400-E
		14,90	A-3	E	15,00	7/8	3 1/2	19/32	3 3/4	2 3/4	13/32	48,2	PHP 5-5V1500-E
		15,90	A-3	E	16,00	7/8	3 1/2	19/32	3 3/4	2 3/4	13/32	51,2	PHP 5-5V1600-E
		18,60	D-3	F	18,70	1	4	3/32	3 3/4	3 3/4	3/32	70,2	PHP 5-5V1870-F
		21,10	D-3	F	21,20	1	4	1/32	3 3/4	3 3/4	1/32	89,0	PHP 5-5V2120-F
		23,50	D-3	F	23,60	1	4	1/32	3 3/4	3 3/4	1/32	105,0	PHP 5-5V2360-F
		27,90	D-3	F	28,00	1	4	1/32	3 3/4	3 3/4	1/32	123,0	PHP 5-5V2800-F
		31,40	C-3	J	31,50	1 1/2	4 1/2	7/16	3 3/4	4 5/8	7/16	151,0	PHP 5-5V3150-J
		37,40	C-3	J	37,50	1 1/2	4 1/2	7/16	3 3/4	4 5/8	7/16	190,0	PHP 5-5V3750-J
49,90	C-3	J	50,00	1 1/2	4 1/2	7/16	3 3/4	4 5/8	7/16	278,0	PHP 5-5V5000-J		

* Mass does not include bushings.

Narrow wedge belt pulleys

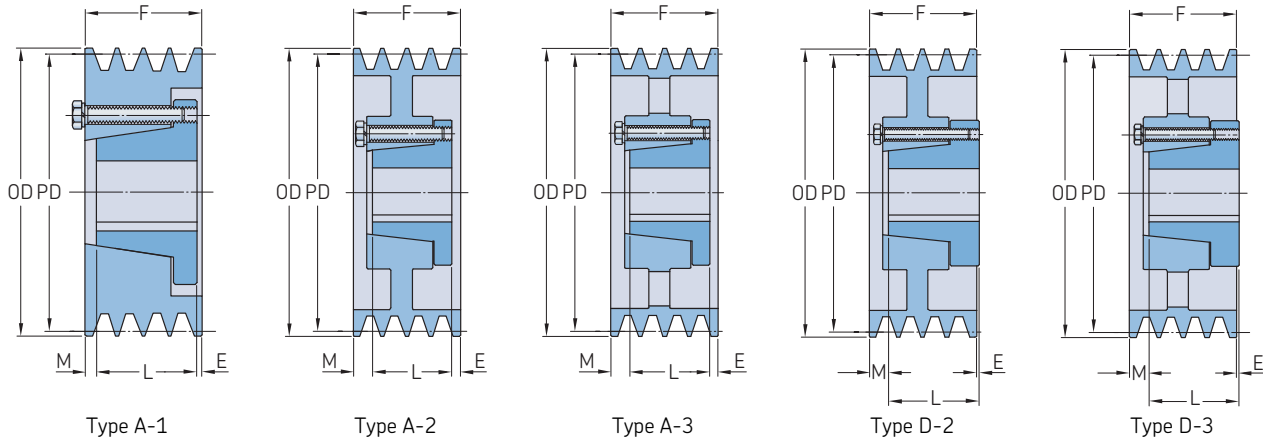
5V QD bushed



Section	Number of grooves	Pitch diameter PD	Pulley type	Bushing number	Dimensions		E	F	L	M	Mass*	Designation	
					Outer diameter OD	Bore Min. Max.							
		in.			in.								
5V	6	4,30	E-1	SD	4,40	1/2	2	3 25/32	4 7/16	1 13/16	21/32	10,1	PHP 6-5V440-SD
		4,55	E-1	SD	4,65	1/2	2	3 25/32	4 7/16	1 13/16	21/32	10,4	PHP 6-5V465-SD
		4,80	A-1	SD	4,90	1/2	2	21/32	4 7/16	1 13/16	1 33/32	11,2	PHP 6-5V490-SD
		5,10	A-1	SD	5,20	1/2	2	21/32	4 7/16	1 13/16	1 33/32	12,1	PHP 6-5V520-SD
		5,40	A-1	SD	5,50	1/2	2	21/32	4 7/16	1 13/16	1 33/32	13,3	PHP 6-5V550-SD
		5,80	A-1	SK	5,90	1/2	2 5/8	17/32	4 7/16	1 15/16	1 33/32	14,6	PHP 6-5V590-SK
		6,20	A-1	SK	6,30	1/2	2 5/8	17/32	4 7/16	1 15/16	1 33/32	17,4	PHP 6-5V630-SK
		6,60	A-1	SF	6,70	1/2	2 15/16	25/32	4 7/16	2 1/16	1 19/32	20,0	PHP 6-5V670-SF
		7,00	A-1	SF	7,10	1/2	2 15/16	25/32	4 7/16	2 1/16	1 19/32	21,9	PHP 6-5V710-SF
		7,40	A-1	SF	7,50	1/2	2 15/16	25/32	4 7/16	2 1/16	1 19/32	23,4	PHP 6-5V750-SF
		7,90	A-1	E	8,00	7/8	3 1/2	27/32	4 7/16	2 3/4	27/32	24,2	PHP 6-5V800-E
		8,40	A-1	E	8,50	7/8	3 1/2	27/32	4 7/16	2 3/4	27/32	26,7	PHP 6-5V850-E
		8,90	A-1	E	9,00	7/8	3 1/2	27/32	4 7/16	2 3/4	27/32	28,5	PHP 6-5V900-E
		9,15	A-1	E	9,25	7/8	3 1/2	27/32	4 7/16	2 3/4	27/32	30,2	PHP 6-5V925-E
		9,65	A-1	E	9,75	7/8	3 1/2	27/32	4 7/16	2 3/4	27/32	33,8	PHP 6-5V975-E
		10,20	A-2	E	10,30	7/8	3 1/2	27/32	4 7/16	2 3/4	27/32	36,6	PHP 6-5V1030-E
		10,80	A-2	E	10,90	7/8	3 1/2	27/32	4 7/16	2 3/4	27/32	38,1	PHP 6-5V1090-E
		11,20	A-3	E	11,30	7/8	3 1/2	27/32	4 7/16	2 3/4	27/32	39,8	PHP 6-5V1130-E
		11,70	A-2	E	11,80	7/8	3 1/2	27/32	4 7/16	2 3/4	27/32	41,2	PHP 6-5V1180-E
		12,40	B-3	F	12,50	1	4	23/32	4 7/16	3 3/4	1/32	58,2	PHP 6-5V1250-F
		13,10	B-3	F	13,20	1	4	23/32	4 7/16	3 3/4	1/32	64,0	PHP 6-5V1320-F
		13,90	B-3	F	14,00	1	4	23/32	4 7/16	3 3/4	1/32	66,0	PHP 6-5V1400-F
		14,90	B-3	F	15,00	1	4	23/32	4 7/16	3 3/4	1/32	68,0	PHP 6-5V1500-F
		15,90	B-3	F	16,00	1	4	23/32	4 7/16	3 3/4	1/32	77,5	PHP 6-5V1600-F
		18,60	D-3	F	18,70	1	4	1/32	4 7/16	3 3/4	23/32	85,8	PHP 6-5V1870-F
		21,10	D-3	F	21,20	1	4	1/32	4 7/16	3 3/4	23/32	96,0	PHP 6-5V2120-F
		23,50	C-3	J	23,60	1 1/2	4 1/2	1/8	4 7/16	4 5/8	1/16	113,0	PHP 6-5V2360-J
		27,90	C-3	J	28,00	1 1/2	4 1/2	1/8	4 7/16	4 5/8	1/16	148,0	PHP 6-5V2800-J
31,40	C-3	J	31,50	1 1/2	4 1/2	1/8	4 7/16	4 5/8	1/16	183,0	PHP 6-5V3150-J		
37,40	C-3	J	37,50	1 1/2	4 1/2	1/8	4 7/16	4 5/8	1/16	218,0	PHP 6-5V3750-J		
49,90	C-3	M	50,00	2	5 1/2	1 3/32	4 7/16	6 3/4	1 7/32	310,0	PHP 6-5V5000-M		
5V	8	7,00	A-1	SF	7,10	1/2	2 15/16	1 9/32	5 13/16	2 1/16	2 15/32	24,7	PHP 8-5V710-SF
		7,40	A-1	SF	7,50	1/2	2 15/16	1 9/32	5 13/16	2 1/16	2 15/32	28,2	PHP 8-5V750-SF
		7,90	A-1	E	8,00	7/8	2 1/2	1 11/32	5 13/16	2 3/4	1 23/32	35,0	PHP 8-5V800-E
		8,40	A-1	E	8,50	7/8	2 1/2	1 11/32	5 13/16	2 3/4	1 23/32	37,2	PHP 8-5V850-E
		8,90	A-1	E	9,00	7/8	2 1/2	1 11/32	5 13/16	2 3/4	1 23/32	42,0	PHP 8-5V900-E
		9,15	A-1	F	9,25	1	4	1 7/32	5 13/16	3 3/4	27/32	44,0	PHP 8-5V925-F
		9,65	A-1	F	9,75	1	4	1 7/32	5 13/16	3 3/4	27/32	48,4	PHP 8-5V975-F
		10,20	A-1	F	10,30	1	4	1 7/32	5 13/16	3 3/4	27/32	58,4	PHP 8-5V1030-F
		10,80	A-1	F	10,90	1	4	1 7/32	5 13/16	3 3/4	27/32	63,1	PHP 8-5V1090-F
		11,20	A-1	F	11,30	1	4	1 7/32	5 13/16	3 3/4	27/32	67,0	PHP 8-5V1130-F
		11,70	A-2	F	11,80	1	4	1 7/32	5 13/16	3 3/4	27/32	71,0	PHP 8-5V1180-F
		12,40	A-3	F	12,50	1	4	1 7/32	5 13/16	3 3/4	27/32	76,0	PHP 8-5V1250-F
		13,10	A-3	F	13,20	1	4	1 7/32	5 13/16	3 3/4	27/32	80,0	PHP 8-5V1320-F
		13,90	A-3	F	14,00	1	4	1 7/32	5 13/16	3 3/4	27/32	81,0	PHP 8-5V1400-F
		14,90	A-3	F	15,00	1	4	1 7/32	5 13/16	3 3/4	27/32	83,0	PHP 8-5V1500-F
		15,90	A-3	F	16,00	1	4	1 7/32	5 13/16	3 3/4	27/32	90,0	PHP 8-5V1600-F
		18,60	A-3	J	18,70	1 1/2	4 1/2	1/8	5 13/16	4 5/8	1 1/16	120,0	PHP 8-5V1870-J
		21,10	A-3	J	21,20	1 1/2	4 1/2	1/8	5 13/16	4 5/8	1 1/16	152,0	PHP 8-5V2120-J
		23,50	A-3	J	23,60	1 1/2	4 1/2	1/8	5 13/16	4 5/8	1 1/16	185,0	PHP 8-5V2360-J
		27,90	A-3	J	28,00	1 1/2	4 1/2	1/8	5 13/16	4 5/8	1 1/16	210,0	PHP 8-5V2800-J
		31,40	B-3	M	31,50	2	5 1/2	11/32	5 13/16	6 3/4	1 9/32	242,0	PHP 8-5V3150-M
		37,40	B-3	M	37,50	2	5 1/2	11/32	5 13/16	6 3/4	1 9/32	285,0	PHP 8-5V3750-M

* Mass does not include bushings.

Narrow wedge belt pulleys
5V QD bushed | 8V QD bushed

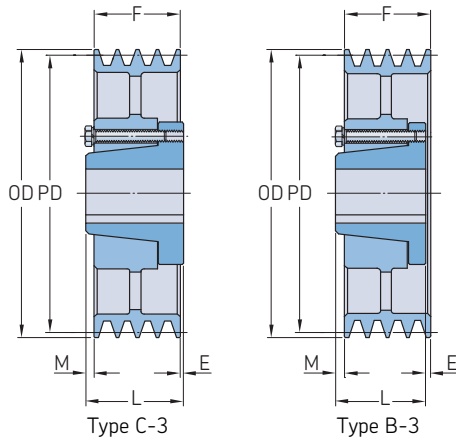


Section	Number of grooves	Pitch diameter PD	Pulley type	Bushing number	Dimensions		E	F	L	M	Mass*	Designation			
					Outer diameter OD	Bore Min. Max.									
		in.			in.						lbs.				
5V	10	7,90	A-1	E	8,00	7/8	3 1/2	2 3/32	7 3/16	2 3/4	2 11/32	37,6	PHP 10-5V800-E		
		8,40	A-1	F	8,50	7/8	3 1/2	2 3/32	7 3/16	2 3/4	2 11/32	44,5	PHP 10-5V850-E		
		8,90	A-1	F	9,00	1	4	1 13/32	7 3/16	3 3/4	1 15/32	51,3	PHP 10-5V900-F		
		9,15	A-1	F	9,25	1	4	1 31/32	7 3/16	3 3/4	1 15/32	53,0	PHP 10-5V925-F		
		9,65	A-1	F	9,75	1	4	1 31/32	7 3/16	3 3/4	1 15/32	56,0	PHP 10-5V975-F		
		10,20	A-1	F	10,30	1	4	1 31/32	7 3/16	3 3/4	1 15/32	64,0	PHP 10-5V1030-F		
		10,80	A-1	F	10,90	1	4	1 31/32	7 3/16	3 3/4	1 15/32	72,0	PHP 10-5V1090-F		
		11,20	A-1	F	11,30	1	4	1 31/32	7 3/16	3 3/4	1 15/32	77,0	PHP 10-5V1130-F		
		11,70	A-2	F	11,80	1	4	1 31/32	7 3/16	3 3/4	1 15/32	81,0	PHP 10-5V1180-F		
		12,40	A-2	J	12,50	1 1/2	4 1/2	2 1/8	7 3/16	4 5/8	7/16	112,0	PHP 10-5V1250-J		
		13,10	A-2	J	13,20	1 1/2	4 1/2	2 1/8	7 3/16	4 5/8	7/16	116,0	PHP 10-5V1320-J		
		13,90	A-3	J	14,00	1 1/2	4 1/2	2 3/8	7 3/16	4 5/8	7/16	130,0	PHP 10-5V1400-J		
		14,90	A-3	J	15,00	1 1/2	4 1/2	2 3/8	7 3/16	4 5/8	7/16	138,0	PHP 10-5V1500-J		
		15,90	A-3	J	16,00	1 1/2	4 1/2	2 3/8	7 3/16	4 5/8	7/16	146,0	PHP 10-5V1600-J		
		18,60	A-3	J	18,70	1 1/2	4 1/2	3/8	7 3/16	4 5/8	2 7/16	157,0	PHP 10-5V1870-J		
		21,10	A-3	J	21,20	1 1/2	4 1/2	1/8	7 3/16	4 5/8	2 7/16	168,0	PHP 10-5V2120-J		
		23,50	A-3	M	23,60	2	5 1/2	11/32	7 3/16	6 3/4	3/32	213,0	PHP 10-5V2360-M		
		27,90	A-3	M	28,00	2	5 1/2	11/32	7 3/16	6 3/4	3/32	240,0	PHP 10-5V2800-M		
		31,40	A-3	M	31,50	2	5 1/2	11/32	7 3/16	6 3/4	3/32	275,0	PHP 10-5V3150-M		
		37,40	A-3	M	37,50	2	5 1/2	11/32	7 3/16	6 3/4	3/32	315,0	PHP 10-5V3750-M		
		49,90	A-3	M	50,00	2	5 1/2	11/32	7 3/16	6 3/4	3/32	458,0	PHP 10-5V5000-M		
		8V	4	12,30	D-2	F	12,50	1	4	5/32	4 7/8	3 3/4	1 9/32	75,0	PHP 4-8V1250-F
				13,00	D-2	F	13,20	1	4	5/32	4 7/8	3 3/4	1 9/32	81,0	PHP 4-8V1320-F
				13,80	D-3	F	14,00	1	4	5/32	4 7/8	3 3/4	1 9/32	87,0	PHP 4-8V1400-F
14,80	D-3			F	15,00	1	4	5/32	4 7/8	3 3/4	1 9/32	91,0	PHP 4-8V1500-F		
15,80	D-3			F	16,00	1	4	5/32	4 7/8	3 3/4	1 9/32	96,0	PHP 4-8V1600-F		
16,80	D-3			F	17,00	1	4	5/32	4 7/8	3 3/4	1 9/32	104,0	PHP 4-8V1700-F		
17,80	D-3			F	18,00	1	4	5/32	4 7/8	3 3/4	1 9/32	114,0	PHP 4-8V1800-F		
18,80	D-3			F	19,00	1	4	5/32	4 7/8	3 3/4	1 9/32	121,0	PHP 4-8V1900-F		
19,80	D-3			J	20,00	1 1/2	4 1/2	-	4 7/8	4 5/8	1/4	136,0	PHP 4-8V2000-J		
21,00	D-3			J	21,20	1 1/2	4 1/2	-	4 7/8	4 5/8	1/4	145,0	PHP 4-8V2120-J		
22,20	D-3			J	22,40	1 1/2	4 1/2	-	4 7/8	4 5/8	1/4	154,0	PHP 4-8V2240-J		
24,60	C-3			M	24,80	2	5 1/2	25/32	4 7/8	6 3/4	1 3/32	176,0	PHP 4-8V2480-M		
29,80	C-3			M	30,00	2	5 1/2	25/32	4 7/8	6 3/4	1 3/32	224,0	PHP 4-8V3000-M		
35,30	C-3			M	35,50	2	5 1/2	25/32	4 7/8	6 3/4	1 3/32	267,0	PHP 4-8V3550-M		
39,80	C-3			M	40,00	2	5 1/2	25/32	4 7/8	6 3/4	1 3/32	310,0	PHP 4-8V4000-M		
44,30	C-3			M	44,50	2	5 1/2	25/32	4 7/8	6 3/4	1 3/32	363,0	PHP 4-8V4450-M		
52,80	C-3			M	53,00	2	5 1/2	25/32	4 7/8	6 3/4	1 3/32	437,0	PHP 4-8V5300-M		
8V	5			12,30	A-2	F	12,50	1	4	31/32	6	3 3/4	1 9/32	82,0	PHP 5-8V1250-F
				13,00	A-2	F	13,20	1	4	31/32	6	3 3/4	1 9/32	89,0	PHP 5-8V1320-F
				13,80	A-3	F	14,00	1	4	31/32	6	3 3/4	1 9/32	99,0	PHP 5-8V1400-F
				14,80	A-3	F	15,00	1	4	31/32	6	3 3/4	1 9/32	103,0	PHP 5-8V1500-F
				15,80	A-3	F	16,00	1	4	31/32	6	3 3/4	1 9/32	111,0	PHP 5-8V1600-F
				16,80	A-3	J	17,00	1 1/2	4 1/2	9/16	6	4 5/8	13/16	119,0	PHP 5-8V1700-J
				17,80	A-3	J	18,00	1 1/2	4 1/2	9/16	6	4 5/8	13/16	131,0	PHP 5-8V1800-J
		18,80	A-3	J	19,00	1 1/2	4 1/2	9/16	6	4 5/8	13/16	142,0	PHP 5-8V1900-J		
		19,80	A-3	J	20,00	1 1/2	4 1/2	9/16	6	4 5/8	13/16	151,0	PHP 5-8V2000-J		
		21,00	A-3	J	21,20	1 1/2	4 1/2	9/16	6	4 5/8	13/16	167,0	PHP 5-8V2120-J		
		22,20	B-3	M	22,40	2	5 1/2	11/32	6	6 3/4	1 3/32	178,0	PHP 5-8V2240-M		
		24,60	B-3	M	24,80	2	5 1/2	11/32	6	6 3/4	1 3/32	201,0	PHP 5-8V2480-M		
		29,80	B-3	M	30,00	2	5 1/2	11/32	6	6 3/4	1 3/32	243,0	PHP 5-8V3000-M		
		35,30	B-3	M	35,50	2	5 1/2	11/32	6	6 3/4	1 3/32	278,0	PHP 5-8V3550-M		
		39,80	B-3	M	40,00	2	5 1/2	11/32	6	6 3/4	1 3/32	340,0	PHP 5-8V4000-M		

* Mass does not include bushings.

Narrow wedge belt pulleys

8V QD bushed

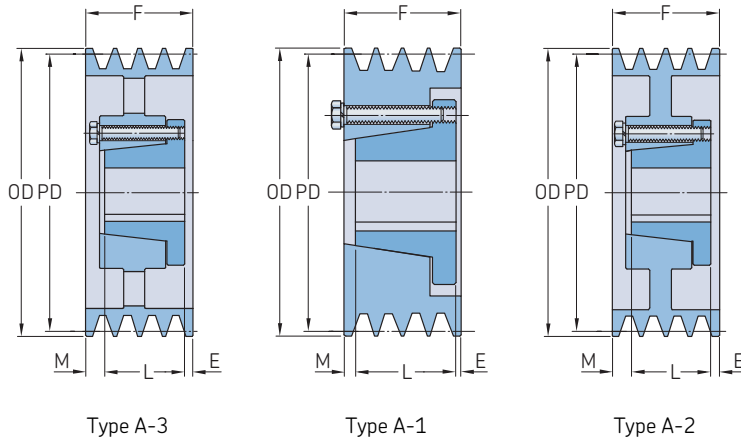


Section	Number of grooves	Pitch diameter PD	Pulley type	Bushing number	Dimensions							Mass*	Designation		
					Outer diameter OD	Bore Min.	Max.	E	F	L	M				
		in.			in.							lbs.			
8V	5	44,30	C-3	N	44,50	2 7/16	5 7/16	1 1/8	6	8 1/8	1	418,0	PHP 5-8V4450-N		
		52,80	C-3	N	53,00	2 7/16	5 7/16	1 1/8	6	8 1/8	1	496,0	PHP 5-8V5300-N		
8V	6	12,30	A-2	F	12,50	1	4	31/32	7 1/8	3 3/4	2 13/32	90,0	PHP 6-8V1250-F		
		13,00	A-2	F	13,20	1	4	31/32	7 1/8	3 3/4	2 13/32	98,0	PHP 6-8V1320-F		
		13,80	A-3	F	14,00	1	4	31/32	7 1/8	3 3/4	2 13/32	112,0	PHP 6-8V1400-F		
		14,80	A-2	J	15,00	1 1/2	4 1/2	1 1/8	7 1/8	4 5/8	1 3/8	123,0	PHP 6-8V1500-J		
		15,80	A-3	J	16,00	1 1/2	4 1/2	1 1/8	7 1/8	4 5/8	1 3/8	129,0	PHP 6-8V1600-J		
		16,80	A-3	J	17,00	1 1/2	4 1/2	1 1/8	7 1/8	4 5/8	1 3/8	136,0	PHP 6-8V1700-J		
		17,80	A-3	J	18,00	1 1/2	4 1/2	1 1/8	7 1/8	4 5/8	1 3/8	143,0	PHP 6-8V1800-J		
		18,80	A-3	J	19,00	1 1/2	4 1/2	1 1/8	7 1/8	4 5/8	1 3/8	157,0	PHP 6-8V1900-J		
		19,80	B-3	M	20,00	2	5 1/2	1 11/32	7 1/8	6 3/4	31/32	179,0	PHP 6-8V2000-M		
		21,00	B-3	M	21,20	2	5 1/2	1 11/32	7 1/8	6 3/4	31/32	193,0	PHP 6-8V2120-M		
		22,20	B-3	M	22,40	2	5 1/2	1 11/32	7 1/8	6 3/4	31/32	205,0	PHP 6-8V2240-M		
		24,60	A-3	M	24,80	2	5 1/2	11/32	7 1/8	6 3/4	1/32	235,0	PHP 6-8V2480-M		
		29,80	A-3	M	30,00	2	5 1/2	11/32	7 1/8	6 3/4	1/32	285,0	PHP 6-8V3000-M		
		35,30	C-3	N	35,50	2 7/16	5 7/16	15/16	7 1/8	8 1/8	1/16	340,0	PHP 6-8V3500-N		
		39,80	C-3	N	40,00	2 7/16	5 7/16	15/16	7 1/8	8 1/8	1/16	394,0	PHP 6-8V4000-N		
		44,30	C-3	N	44,50	2 7/16	5 7/16	15/16	7 1/8	8 1/8	1/16	489,0	PHP 6-8V4450-N		
		52,80	C-3	N	53,00	2 7/16	5 7/16	15/16	7 1/8	8 1/8	1/16	584,0	PHP 6-8V5300-N		
		8V	8	12,30	A-1	J	12,50	1 1/2	4 1/2	2 3/8	9 3/8	4 5/8	2 5/8	131,0	PHP 8-8V1250-J
				13,00	A-1	J	13,20	1 1/2	4 1/2	2 3/8	9 3/8	4 5/8	2 5/8	160,0	PHP 8-8V1320-J
				13,80	A-2	J	14,00	1 1/2	4 1/2	2 3/8	9 3/8	4 5/8	2 5/8	175,0	PHP 8-8V1400-J
14,80	A-2			J	15,00	1 1/2	4 1/2	2 3/8	9 3/8	4 5/8	2 5/8	186,0	PHP 8-8V1500-J		
15,80	A-2			J	16,00	1 1/2	4 1/2	2 3/8	9 3/8	4 5/8	2 5/8	210,0	PHP 8-8V1600-J		
16,80	A-2			M	17,00	2	5 1/2	2 11/32	9 3/8	6 3/4	9/32	221,0	PHP 8-8V1700-M		
17,80	A-2			M	18,00	2	5 1/2	2 11/32	9 3/8	6 3/4	9/32	235,0	PHP 8-8V1800-M		
18,80	A-3			M	19,00	2	5 1/2	2 11/32	9 3/8	6 3/4	9/32	250,0	PHP 8-8V1900-M		
19,80	A-3			M	20,00	2	5 1/2	2 11/32	9 3/8	6 3/4	9/32	265,0	PHP 8-8V2000-M		
21,10	A-3			M	21,20	2	5 1/2	2 11/32	9 3/8	6 3/4	9/32	280,0	PHP 8-8V2120-M		
22,20	A-3			M	22,40	2	5 1/2	2 11/32	9 3/8	6 3/4	9/32	295,0	PHP 8-8V2240-M		
24,60	A-2			N	24,80	2 7/16	5 7/16	3/16	9 3/8	8 1/8	11/16	320,0	PHP 8-8V2480-N		
29,80	A-3			N	30,00	2 7/16	5 7/16	3/16	9 3/8	8 1/8	11/16	375,0	PHP 8-8V3000-N		
35,30	A-3			N	35,50	2 7/16	5 7/16	3/16	9 3/8	8 1/8	11/16	442,0	PHP 8-8V3500-N		
39,80	A-3			N	40,00	2 7/16	5 7/16	3/16	9 3/8	8 1/8	11/16	530,0	PHP 8-8V4000-N		
44,30	B-3			P	44,50	2 15/16	7	1/4	9 3/8	9 3/8	1/4	610,0	PHP 8-8V4450-P		
52,80	B-3			P	53,00	2 15/16	7	1/4	9 3/8	9 3/8	1/4	795,0	PHP 8-8V5300-P		
8V	10			12,30	A-1	J	12,50	1 1/2	4 1/2	2 3/8	11 5/8	4 5/8	4 7/6	155,0	PHP 10-8V1250-J
				13,00	A-1	J	13,20	1 1/2	4 1/2	2 3/8	11 5/8	4 5/8	4 7/6	190,0	PHP 10-8V1320-J
				13,80	A-1	J	14,00	1 1/2	4 1/2	2 3/8	11 5/8	4 5/8	4 7/6	210,0	PHP 10-8V1400-J
		14,80	A-1	M	15,00	2	5 1/2	2 11/32	11 5/8	6 3/4	2 17/32	266,0	PHP 10-8V1500-M		
		15,80	A-2	M	16,00	2	5 1/2	2 11/32	11 5/8	6 3/4	2 17/32	256,0	PHP 10-8V1600-M		
		16,80	A-1	M	17,00	2	5 1/2	2 11/32	11 5/8	6 3/4	2 17/32	281,0	PHP 10-8V1700-M		
		17,80	A-2	M	18,00	2	5 1/2	2 11/32	11 5/8	6 3/4	2 17/32	290,0	PHP 10-8V1800-M		
		18,80	A-2	M	19,00	2	5 1/2	2 11/32	11 5/8	6 3/4	2 17/32	301,0	PHP 10-8V1900-M		
		19,80	A-2	M	20,00	2	5 1/2	2 11/32	11 5/8	6 3/4	2 17/32	325,0	PHP 10-8V2000-M		
		21,00	A-2	M	21,20	2	5 1/2	2 11/32	11 5/8	6 3/4	2 17/32	340,0	PHP 10-8V2120-M		
		22,20	A-2	N	22,40	2 7/16	5 7/16	3/16	11 5/8	8 1/8	3 5/16	365,0	PHP 10-8V2240-N		
		24,60	A-2	N	24,80	2 7/16	5 7/16	3/16	11 5/8	8 1/8	3 5/16	390,0	PHP 10-8V2480-N		
		29,80	A-3	N	30,00	2 7/16	5 7/16	3/16	11 5/8	8 1/8	3 5/16	435,0	PHP 10-8V3000-N		
		35,30	A-2	P	35,50	2 15/16	7	1/4	11 5/8	9 3/8	2	507,0	PHP 10-8V3500-P		
		39,80	A-3	P	40,00	2 15/16	7	1/4	11 5/8	9 3/8	2	615,0	PHP 10-8V4000-P		
		44,30	A-2	P	44,50	2 15/16	7	1/4	11 5/8	9 3/8	2	710,0	PHP 10-8V4450-P		

* Mass does not include bushings.

Narrow wedge belt pulleys

8V QD bushed

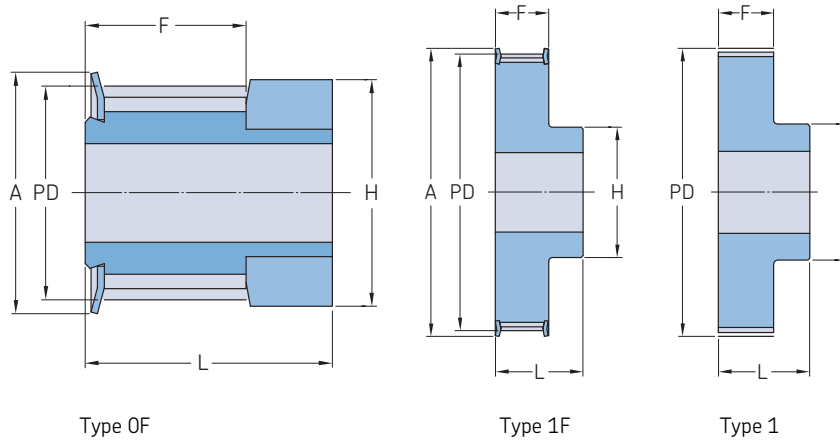


Section	Number of grooves	Pitch diameter PD	Pulley type	Bushing number	Dimensions							Mass*	Designation
					Outer diameter OD	Bore Min.	Max.	E	F	L	M		
		in.			in.							lbs.	
8V	10	52,80	A-3	P	53,00	2 15/16	7	1/4	11 5/8	9 3/8	2	945,0	PHP 10-8V5300-P
8V	12	12,30	A-1	M	12,50	2	5 1/2	2 11/32	13 3/8	6 3/4	4 25/32	195,0	PHP 12-8V1250-M
		13,00	A-1	M	13,20	2	5 1/2	2 11/32	13 3/8	6 3/4	4 25/32	230,0	PHP 12-8V1320-M
		13,80	A-1	M	14,00	2	5 1/2	2 11/32	13 3/8	6 3/4	4 25/32	250,0	PHP 12-8V1400-M
		14,80	A-1	M	15,00	2	5 1/2	2 11/32	13 3/8	6 3/4	4 25/32	268,0	PHP 12-8V1500-M
	15,80	A-1	M	16,00	2	5 1/2	2 11/32	13 3/8	6 3/4	4 25/32	296,0	PHP 12-8V1600-M	
	16,80	A-1	M	17,00	2	5 1/2	2 11/32	13 3/8	6 3/4	4 25/32	341,0	PHP 12-8V1700-M	
	17,80	A-1	M	18,00	2	5 1/2	2 11/32	13 3/8	6 3/4	4 25/32	345,0	PHP 12-8V1800-M	
	18,80	A-1	N	19,00	2 7/16	5 7/16	3/16	13 3/8	8 1/8	5 9/16	352,0	PHP 12-8V1900-N	
	19,80	A-1	N	20,00	2 7/16	5 7/16	3/16	13 3/8	8 1/8	5 9/16	385,0	PHP 12-8V2000-N	
	21,00	A-1	N	21,20	2 7/16	5 7/16	3/16	13 3/8	8 1/8	5 9/16	400,0	PHP 12-8V2120-N	
	22,20	A-1	N	22,40	2 7/16	5 7/16	3/16	13 3/8	8 1/8	5 9/16	435,0	PHP 12-8V2240-N	
	24,60	A-1	N	24,80	2 7/16	5 7/16	3/16	13 3/8	8 1/8	5 9/16	460,0	PHP 12-8V2480-N	
	29,80	A-2	P	30,00	2 15/16	7	1/4	13 3/8	9 3/8	4 1/4	495,0	PHP 12-8V3000-P	
	35,30	A-2	P	35,50	2 15/16	7	1/4	13 3/8	9 3/8	4 1/4	572,0	PHP 12-8V3550-P	
	39,80	A-2	P	40,00	2 15/16	7	1/4	13 3/8	9 3/8	4 1/4	700,0	PHP 12-8V4000-P	
	44,30	A-2	P	44,50	2 15/16	7	1/4	13 3/8	9 3/8	4 1/4	825,0	PHP 12-8V4450-P	
52,80	A-2	P	53,00	2 15/16	7	1/4	13 3/8	9 3/8	4 1/4	1 080,0	PHP 12-8V5300-P		

* Mass does not include bushings.

HiTD pulleys

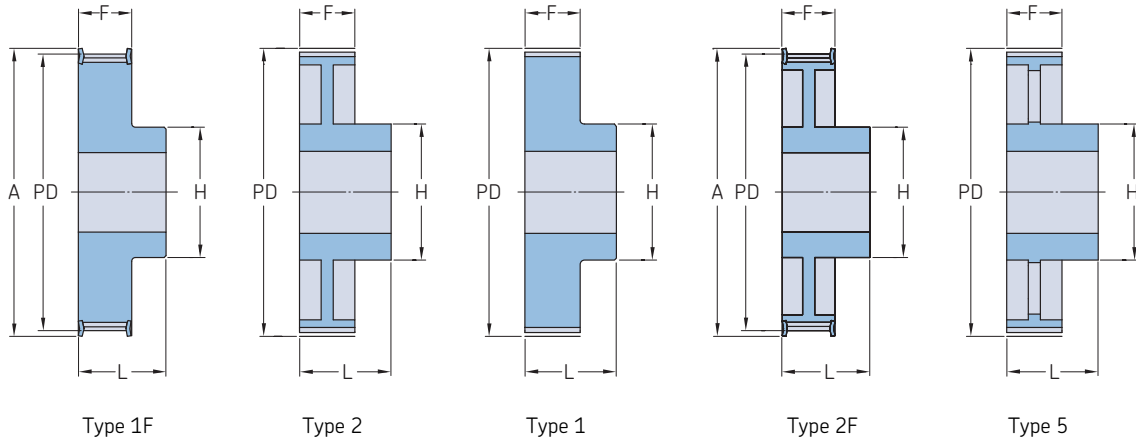
3 mm pitch pilot bore (RSB) | 5 mm pitch pilot bore (RSB)



Pitch	Belt width	Pitch diameter PD	Number of teeth	Pulley type	Dimensions									Mass	Designation	
					Outer diameter OD	A	B Min.	Max.	F	K	L	M	H			
mm			-	-	mm									kg	-	
3	09	9,55	10	0F	8,79	13,0	-	4,0	10,2	-	17,5	-	13,0	0,04	PHP 10-3M-09RSB	
		11,46	12	0F	10,70	15,0	-	6,0	10,2	-	17,5	-	15,0	0,06	PHP 12-3M-09RSB	
		13,37	14	0F	12,61	16,0	-	7,0	10,2	-	17,5	-	16,0	0,07	PHP 14-3M-09RSB	
		14,32	15	0F	13,56	17,5	-	8,0	10,2	-	17,5	-	17,5	0,08	PHP 15-3M-09RSB	
		15,28	16	1F	14,52	18,0	4	6,0	12,8	-	20,6	-	10,0	0,07	PHP 16-3M-09RSB	
		17,19	18	1F	16,43	19,5	6	6,5	12,8	-	20,6	-	11,0	0,08	PHP 18-3M-09RSB	
		19,10	20	1F	18,34	23,0	6	8,0	12,8	-	20,6	-	13,0	0,01	PHP 20-3M-09RSB	
		20,05	21	1F	19,29	25,0	6	8,5	12,8	-	20,6	-	14,0	0,01	PHP 21-3M-09RSB	
		21,01	22	1F	20,25	25,0	6	8,5	12,8	-	20,6	-	14,0	0,01	PHP 22-3M-09RSB	
		22,92	24	1F	22,16	25,0	6	8,5	12,8	-	20,6	-	14,0	0,02	PHP 24-3M-09RSB	
		24,83	26	1F	24,07	28,0	6	10,5	12,8	-	20,6	-	16,0	0,02	PHP 26-3M-09RSB	
		26,74	28	1F	25,98	32,0	6	11,5	12,8	-	20,6	-	18,0	0,02	PHP 28-3M-09RSB	
	28,65	30	1F	27,89	32,0	6	12,5	12,8	-	20,6	-	20,0	0,03	PHP 30-3M-09RSB		
	30,56	32	1F	29,80	36,0	6	14,0	12,8	-	20,6	-	22,0	0,03	PHP 32-3M-09RSB		
	34,38	36	1F	33,62	38,0	6	17,0	13,4	-	22,2	-	26,0	0,05	PHP 36-3M-09RSB		
	38,20	40	1F	37,44	42,0	6	19,0	13,4	-	22,2	-	28,0	0,06	PHP 40-3M-09RSB		
	42,02	44	1F	41,26	48,0	6	22,5	13,4	-	22,2	-	33,0	0,07	PHP 44-3M-09RSB		
	45,84	48	1	45,08	-	8	22,5	13,4	-	22,2	-	33,0	0,07	PHP 48-3M-09RSB		
	57,30	60	1	56,54	-	8	22,5	13,4	-	22,2	-	33,0	0,11	PHP 60-3M-09RSB		
	68,75	72	1	67,99	-	8	22,5	13,4	-	22,2	-	33,0	0,14	PHP 72-3M-09RSB		
	3	15	9,55	10	0F	8,79	13,0	-	3,0	17,0	-	26,0	-	13,0	0,04	PHP 10-3M-15RSB
			11,46	12	0F	10,70	15,0	-	5,0	17,0	-	26,0	-	15,0	0,06	PHP 12-3M-15RSB
			13,37	14	0F	12,61	16,0	-	6,0	17,0	-	26,0	-	16,0	0,07	PHP 14-3M-15RSB
			14,32	15	0F	13,56	17,5	-	6,0	17,0	-	26,0	-	17,5	0,08	PHP 15-3M-15RSB
15,28			16	1F	14,52	18,0	4	7,0	19,5	-	26,0	-	10,0	0,07	PHP 16-3M-15RSB	
17,19			18	1F	16,43	19,5	6	8,0	19,5	-	26,0	-	11,0	0,08	PHP 18-3M-15RSB	
19,10			20	1F	18,34	23,0	6	9,0	19,5	-	26,0	-	13,0	0,01	PHP 20-3M-15RSB	
20,05			21	1F	19,29	25,0	6	9,0	19,5	-	26,0	-	14,0	0,01	PHP 21-3M-15RSB	
21,01			22	1F	20,25	25,0	6	9,0	19,5	-	26,0	-	14,0	0,01	PHP 22-3M-15RSB	
22,92			24	1F	22,16	25,0	6	9,0	19,5	-	26,0	-	14,0	0,02	PHP 24-3M-15RSB	
24,83			26	1F	24,07	28,0	6	11,0	19,5	-	26,0	-	16,0	0,02	PHP 26-3M-15RSB	
26,74			28	1F	25,98	32,0	6	12,0	19,5	-	26,0	-	18,0	0,02	PHP 28-3M-15RSB	
28,65		30	1F	27,89	32,0	6	14,0	19,5	-	26,0	-	20,0	0,03	PHP 30-3M-15RSB		
30,56		32	1F	29,80	36,0	6	15,0	19,5	-	26,0	-	22,0	0,03	PHP 32-3M-15RSB		
34,38		36	1F	33,62	38,0	6	16,0	20,0	-	30,0	-	26,0	0,05	PHP 36-3M-15RSB		
38,20		40	1F	37,44	42,0	6	18,0	20,0	-	30,0	-	28,0	0,06	PHP 40-3M-15RSB		
42,02		44	1F	41,26	48,0	6	20,0	20,0	-	30,0	-	33,0	0,07	PHP 44-3M-15RSB		
45,84		48	1	45,08	-	8	20,0	20,0	-	30,0	-	33,0	0,07	PHP 48-3M-15RSB		
57,30		60	1	56,54	-	8	20,0	20,0	-	30,0	-	33,0	0,11	PHP 60-3M-15RSB		
68,75		72	1	67,99	-	8	20,0	20,0	-	30,0	-	33,0	0,14	PHP 72-3M-15RSB		
5		09	19,10	12	1F	17,96	25,0	4	8,0	14,5	-	20,0	-	13,0	0,03	PHP 12-5M-09RSB
			22,28	14	1F	21,14	25,0	6	9,0	14,5	-	20,0	-	13,0	0,03	PHP 14-5M-09RSB
			23,87	15	1F	22,73	28,0	6	11,0	14,5	-	20,0	-	16,0	0,04	PHP 15-5M-09RSB
			25,46	16	1F	24,32	28,0	6	11,0	14,5	-	20,0	-	16,0	0,05	PHP 16-5M-09RSB
	28,65		18	1F	27,51	32,0	6	13,0	14,5	-	20,0	-	19,0	0,07	PHP 18-5M-09RSB	
	31,83		20	1F	30,69	36,0	6	14,0	14,5	-	22,5	-	23,0	0,09	PHP 20-5M-09RSB	
	33,42		21	1F	32,28	38,0	6	15,0	14,5	-	22,5	-	24,0	0,11	PHP 21-5M-09RSB	
	35,01		22	1F	33,87	38,0	6	16,0	14,5	-	22,5	-	25,5	0,12	PHP 22-5M-09RSB	
	38,20		24	1F	37,06	42,0	6	18,0	14,5	-	22,5	-	27,0	0,15	PHP 24-5M-09RSB	
	41,38		26	1F	40,24	44,0	6	20,0	14,5	-	22,5	-	30,0	0,17	PHP 26-5M-09RSB	
	44,56		28	1F	43,42	48,0	6	20,0	14,5	-	22,5	-	30,5	0,20	PHP 28-5M-09RSB	
	47,75		30	1F	46,60	51,0	6	24,0	14,5	-	22,5	-	35,0	0,24	PHP 30-5M-09RSB	
	50,93		32	1F	49,79	54,0	8	26,0	14,5	-	22,5	-	38,0	0,27	PHP 32-5M-09RSB	
	57,30		36	1F	56,16	60,0	8	26,0	14,5	-	22,5	-	38,0	0,32	PHP 36-5M-09RSB	

HiTD pulleys

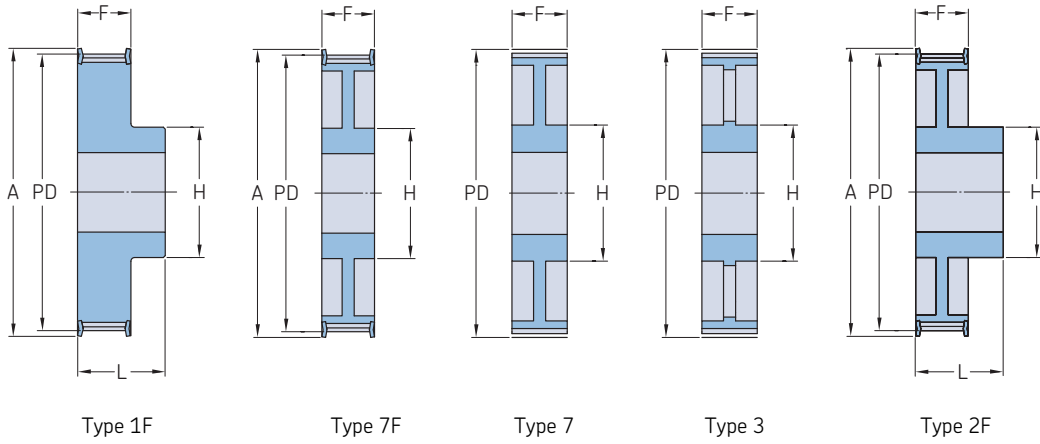
5 mm pitch pilot bore (RSB) | 8 mm pitch pilot bore (RSB)



Pitch	Belt width	Pitch diameter PD	Number of teeth	Pulley type	Dimensions									Mass	Designation	
					Outer diameter OD	A	B Min.	Max.	F	K	L	M	H			
mm					mm									kg		
5	09	63,66	40	1F	62,52	71,0	8	26,0	14,5	-	22,5	-	38,0	0,40	PHP 40-5M-09RSB	
		70,03	44	2	68,89	-	8	26,0	14,5	-	25,5	-	38,0	0,17	PHP 44-5M-09RSB	
		76,39	48	2	75,25	-	8	26,0	14,5	-	25,5	-	38,0	0,18	PHP 48-5M-09RSB	
		95,49	60	2	94,35	-	8	30,0	14,5	-	25,5	-	45,0	0,23	PHP 60-5M-09RSB	
		114,59	72	2	113,45	-	8	30,0	14,5	-	25,5	-	45,0	0,27	PHP 72-5M-09RSB	
		15	19,10	12	1F	17,96	25,0	4	8,0	20,5	-	26,0	-	13,0	0,03	PHP 12-5M-15RSB
	22,28		14	1F	21,14	25,0	6	9,0	20,5	-	26,0	-	13,0	0,05	PHP 14-5M-15RSB	
	23,87		15	1F	22,73	28,0	6	11,0	20,5	-	26,0	-	16,0	0,06	PHP 15-5M-15RSB	
	25,46		16	1F	24,32	28,0	6	11,0	20,5	-	26,0	-	16,0	0,06	PHP 16-5M-15RSB	
	28,65		18	1F	27,51	32,0	6	13,0	20,5	-	26,0	-	19,0	0,09	PHP 18-5M-15RSB	
	31,83		20	1F	30,69	36,0	6	14,0	20,5	-	26,0	-	23,0	0,11	PHP 20-5M-15RSB	
	5	15	33,42	21	1F	32,28	38,0	6	15,0	20,5	-	26,0	-	24,0	0,13	PHP 21-5M-15RSB
35,01			22	1F	33,87	38,0	6	16,0	20,5	-	26,0	-	25,5	0,14	PHP 22-5M-15RSB	
38,20			24	1F	37,06	42,0	6	18,0	20,5	-	28,0	-	27,0	0,18	PHP 24-5M-15RSB	
41,38			26	1F	40,24	44,0	6	20,0	20,5	-	28,0	-	30,0	0,22	PHP 26-5M-15RSB	
44,56			28	1F	43,42	48,0	6	20,0	20,5	-	28,0	-	30,5	0,25	PHP 28-5M-15RSB	
47,75			30	1F	46,60	51,0	6	24,0	20,5	-	28,0	-	35,0	0,30	PHP 30-5M-15RSB	
25		50,93	32	1F	49,79	54,0	8	26,0	20,5	-	28,0	-	38,0	0,35	PHP 32-5M-15RSB	
		57,30	36	1F	56,16	60,0	8	26,0	20,5	-	28,0	-	38,0	0,52	PHP 36-5M-15RSB	
		63,66	40	1F	62,52	71,0	8	26,0	20,5	-	28,0	-	38,0	0,43	PHP 40-5M-15RSB	
		70,03	44	2	68,89	-	8	26,0	20,5	-	30,0	-	38,0	0,23	PHP 44-5M-15RSB	
		76,39	48	2	75,25	-	8	26,0	20,5	-	30,0	-	38,0	0,19	PHP 48-5M-15RSB	
		95,49	60	2	94,35	-	8	34,0	20,5	-	30,0	-	50,0	0,31	PHP 60-5M-15RSB	
5	25	114,59	72	2	113,45	-	8	34,0	20,5	-	30,0	-	50,0	0,38	PHP 72-5M-15RSB	
		19,10	12	1F	17,96	25,0	4	8,0	30,5	-	36,0	5,5	13,0	0,05	PHP 12-5M-25RSB	
		22,28	14	1F	21,14	25,0	6	9,0	30,5	-	36,0	5,5	13,0	0,07	PHP 14-5M-25RSB	
		23,87	15	1F	22,73	28,0	6	11,0	30,5	-	36,0	5,5	16,0	0,08	PHP 15-5M-25RSB	
		25,46	16	1F	24,32	28,0	6	11,0	30,5	-	36,0	5,5	16,0	0,10	PHP 16-5M-25RSB	
		28,65	18	1F	27,51	32,0	6	13,0	30,5	-	36,0	5,5	19,0	0,12	PHP 18-5M-25RSB	
	20	31,83	20	1F	30,69	36,0	6	14,0	30,5	-	36,0	5,5	23,0	0,16	PHP 20-5M-25RSB	
		33,42	21	1F	32,28	38,0	6	15,0	30,5	-	38,0	7,5	24,0	0,19	PHP 21-5M-25RSB	
		35,01	22	1F	33,87	38,0	6	16,0	30,5	-	38,0	7,5	25,5	0,21	PHP 22-5M-25RSB	
		38,20	24	1F	37,06	42,0	6	18,0	30,5	-	38,0	7,5	27,0	0,25	PHP 24-5M-25RSB	
		41,38	26	1F	40,24	44,0	6	20,0	30,5	-	38,0	7,5	30,0	0,30	PHP 26-5M-25RSB	
		44,56	28	1F	43,42	48,0	6	20,0	30,5	-	38,0	7,5	30,5	0,35	PHP 28-5M-25RSB	
5	20	47,75	30	1F	46,60	51,0	6	24,0	30,5	-	38,0	7,5	35,0	0,42	PHP 30-5M-25RSB	
		50,93	32	1F	49,79	54,0	8	26,0	30,5	-	38,0	7,5	38,0	0,48	PHP 32-5M-25RSB	
		57,30	36	1F	56,16	60,0	8	26,0	30,5	-	38,0	7,5	38,0	0,59	PHP 36-5M-25RSB	
		63,66	40	1F	62,52	71,0	8	26,0	30,5	-	38,0	7,5	38,0	0,74	PHP 40-5M-25RSB	
		70,03	44	2	68,89	-	8	26,0	30,5	-	40,0	9,5	38,0	0,32	PHP 44-5M-25RSB	
		76,39	48	2	72,25	-	8	26,0	30,5	-	40,0	9,5	38,0	0,28	PHP 48-5M-25RSB	
	8	20	95,49	60	2	94,35	-	8	34,0	30,5	-	40,0	9,5	50,0	0,44	PHP 60-5M-25RSB
			114,59	72	2	113,45	-	8	34,0	30,5	-	40,0	9,5	50,0	0,53	PHP 72-5M-25RSB
			127,32	80	1	126,18	-	8	62,0	30,5	-	40,0	-	92,0	0,60	PHP 80-5M-25RSB
			50,93	20	1F	49,56	60,0	12	25,0	28,0	-	38,0	-	38,0	0,43	PHP 20-8M-20RSB
			53,47	21	1F	52,10	62,0	12	27,0	28,0	-	38,0	-	40,0	0,49	PHP 21-8M-20RSB
			56,02	22	1F	54,65	65,0	12	29,0	28,0	-	38,0	-	43,0	0,54	PHP 22-8M-20RSB
8	20	58,57	23	1F	57,20	65,0	12	29,0	28,0	-	38,0	-	45,0	0,60	PHP 23-8M-20RSB	
		61,12	24	1F	59,75	70,0	12	30,0	28,0	-	38,0	-	45,0	0,65	PHP 24-8M-20RSB	
		63,66	25	1F	62,28	71,0	12	31,0	28,0	-	38,0	-	45,0	0,73	PHP 25-8M-20RSB	
		66,21	26	1F	64,84	75,0	12	32,0	28,0	-	38,0	-	50,0	0,80	PHP 26-8M-20RSB	
		68,75	27	1F	67,39	75,0	12	33,0	28,0	-	38,0	-	50,0	0,84	PHP 27-8M-20RSB	
		71,30	28	1F	70,08	80,0	15	34,0	28,0	-	38,0	-	50,0	0,87	PHP 28-8M-20RSB	
	20	73,85	29	1F	72,62	85,0	15	35,0	28,0	-	38,0	-	55,0	0,95	PHP 29-8M-20RSB	

HiTD pulleys

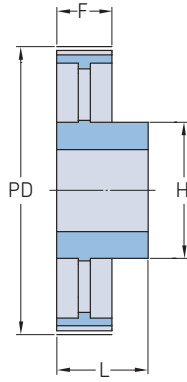
8 mm pitch pilot bore (RSB) | 14 mm pitch pilot bore (RSB)



Pitch	Belt width	Pitch diameter PD	Number of teeth	Pulley type	Dimensions									Mass	Designation	
					Outer diameter OD	A	B Min.	Max.	F	K	L	M	H			
mm			-	-	mm									kg	-	
8	50	101,86	40	1F	100,49	110,0	18	50,0	60,0	-	70,0	-	75,0	3,50	PHP 40-8M-50RSB	
		104,41	42	1F	103,03	111,0	18	50,0	60,0	-	70,0	-	75,0	3,70	PHP 42-8M-50RSB	
		112,05	44	1F	110,67	121,0	18	50,0	60,0	-	70,0	-	75,0	3,90	PHP 44-8M-50RSB	
		114,59	45	1F	113,22	121,0	18	50,0	60,0	-	70,0	-	75,0	4,00	PHP 45-8M-50RSB	
		122,23	48	1F	120,86	131,0	18	54,0	60,0	-	70,0	-	80,0	4,30	PHP 48-8M-50RSB	
		124,78	50	1F	123,41	131,0	18	54,0	60,0	-	70,0	-	80,0	4,48	PHP 50-8M-50RSB	
		127,32	52	1F	125,95	140,0	18	60,0	60,0	-	70,0	-	90,0	4,65	PHP 52-8M-50RSB	
		142,60	56	7F	141,23	151,0	18	60,0	60,0	-	60,0	-	90,0	5,00	PHP 56-8M-50RSB	
		152,79	60	7F	151,42	158,0	18	60,0	60,0	-	60,0	-	90,0	5,30	PHP 60-8M-50RSB	
		162,97	64	7F	161,60	171,0	18	60,0	60,0	-	60,0	-	100,0	5,60	PHP 64-8M-50RSB	
		183,35	72	7F	181,97	192,0	18	63,0	60,0	-	60,0	-	100,0	6,80	PHP 72-8M-50RSB	
		203,72	80	7	202,35	-	18	60,0	60,0	-	60,0	-	110,0	6,90	PHP 80-8M-50RSB	
	229,18	90	7	227,81	-	18	60,0	60,0	-	60,0	-	110,0	8,60	PHP 90-8M-50RSB		
	285,21	112	3	283,83	-	20	60,0	60,0	-	60,0	-	110,0	9,60	PHP 112-8M-50RSB		
	366,69	144	3	365,32	-	20	60,0	60,0	-	60,0	-	110,0	13,80	PHP 144-8M-50RSB		
	427,81	168	3	426,44	-	20	60,0	60,0	-	60,0	-	120,0	16,00	PHP 168-8M-50RSB		
	488,92	192	3	487,55	-	20	60,0	60,0	-	60,0	-	130,0	22,40	PHP 192-8M-50RSB		
	8	85	56,02	22	1F	54,65	65,0	12	29,0	95,0	-	105,0	-	43,0	1,55	PHP 22-8M-85RSB
			58,57	23	1F	57,20	65,0	12	30,0	95,0	-	105,0	-	45,0	1,73	PHP 23-8M-85RSB
			61,12	24	1F	59,75	70,0	12	30,0	95,0	-	105,0	-	45,0	1,90	PHP 24-8M-85RSB
			63,66	25	1F	62,28	70,0	12	34,0	95,0	-	105,0	-	50,0	2,08	PHP 25-8M-85RSB
			66,21	26	1F	64,84	75,0	12	34,0	95,0	-	105,0	-	50,0	2,25	PHP 26-8M-85RSB
			68,75	27	1F	67,39	75,0	12	34,0	95,0	-	105,0	-	50,0	2,40	PHP 27-8M-85RSB
			71,30	28	1F	70,08	80,0	15	34,0	95,0	-	105,0	-	50,0	2,55	PHP 28-8M-85RSB
76,39			30	1F	75,13	85,0	15	35,0	95,0	-	105,0	-	55,0	3,00	PHP 30-8M-85RSB	
78,94			31	1F	77,65	87,0	15	38,0	95,0	-	105,0	-	55,0	3,23	PHP 31-8M-85RSB	
81,49			32	1F	80,16	90,0	15	42,0	95,0	-	105,0	-	60,0	3,57	PHP 32-8M-85RSB	
84,03			33	1F	82,68	90,0	15	44,0	95,0	-	105,0	-	60,0	3,75	PHP 33-8M-85RSB	
86,58			34	1F	85,22	95,0	15	44,0	95,0	-	105,0	-	70,0	4,00	PHP 34-8M-85RSB	
89,13			35	1F	87,76	95,0	15	44,0	95,0	-	105,0	-	70,0	4,25	PHP 35-8M-85RSB	
91,67			36	1F	90,30	100,0	15	44,0	95,0	-	105,0	-	70,0	4,50	PHP 36-8M-85RSB	
96,77			38	1F	95,39	106,0	15	50,0	95,0	-	105,0	-	75,0	4,90	PHP 38-8M-85RSB	
101,86			40	1F	100,49	110,0	18	50,0	95,0	-	105,0	-	75,0	5,20	PHP 40-8M-85RSB	
106,95			42	1F	105,58	110,0	18	50,0	95,0	-	105,0	-	75,0	6,08	PHP 42-8M-85RSB	
112,05			44	1F	110,67	121,0	18	50,0	95,0	-	105,0	-	75,0	6,60	PHP 44-8M-85RSB	
114,59		45	1F	113,22	121,0	18	50,0	95,0	-	105,0	-	75,0	6,85	PHP 45-8M-85RSB		
122,23		48	1F	120,86	131,0	18	54,0	95,0	-	105,0	-	80,0	7,60	PHP 48-8M-85RSB		
127,32		50	1F	125,95	131,0	20	54,0	95,0	-	105,0	-	80,0	8,15	PHP 50-8M-85RSB		
132,42		52	1F	131,05	140,0	20	54,0	95,0	-	105,0	-	80,0	8,70	PHP 52-8M-85RSB		
142,60		56	1F	141,23	151,0	20	54,0	95,0	-	105,0	-	80,0	9,80	PHP 56-8M-85RSB		
152,79		60	7F	151,42	158,0	20	66,0	95,0	-	95,0	-	100,0	10,10	PHP 60-8M-85RSB		
162,97		64	7F	161,60	171,0	20	66,0	95,0	-	95,0	-	100,0	10,40	PHP 64-8M-85RSB		
183,35		72	7F	181,97	192,0	20	66,0	95,0	-	95,0	-	110,0	11,40	PHP 72-8M-85RSB		
203,72		80	3	202,35	-	20	66,0	95,0	-	95,0	-	110,0	11,10	PHP 80-8M-85RSB		
229,18		90	3	227,81	-	20	66,0	95,0	-	95,0	-	110,0	13,20	PHP 90-8M-85RSB		
285,21		112	3	283,83	-	24	66,0	95,0	-	95,0	-	110,0	16,30	PHP 112-8M-85RSB		
366,69		144	3	365,32	-	24	72,0	95,0	-	95,0	-	120,0	21,50	PHP 144-8M-85RSB		
427,81		168	3	426,44	-	24	72,0	95,0	-	95,0	-	120,0	26,10	PHP 168-8M-85RSB		
488,92		192	3	487,55	-	24	78,0	95,0	-	95,0	-	130,0	30,60	PHP 192-8M-85RSB		
14		40	124,78	28	1F	122,12	127,0	24	67,0	54,0	-	69,0	-	100,0	4,73	PHP 28-14M-40RSB
			129,23	29	1F	126,57	138,0	24	67,0	54,0	-	69,0	-	100,0	5,09	PHP 29-14M-40RSB
			133,69	30	1F	130,99	138,0	24	67,0	54,0	-	69,0	-	100,0	5,45	PHP 30-14M-40RSB
			142,60	32	1F	139,88	154,0	24	67,0	54,0	-	69,0	-	100,0	6,17	PHP 32-14M-40RSB

HiTD pulleys

14 mm pitch pilot bore (RSB)

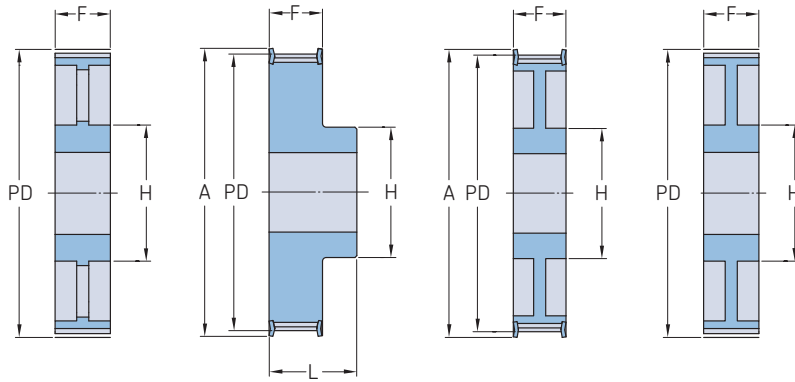


Type 5

Pitch	Belt width	Pitch diameter	Number of teeth	Pulley type	Dimensions									Mass	Designation		
					Outer diameter OD	A	B Min.	Max.	F	K	L	M	H				
mm		PD	-	-	mm									kg	-		
14	40	151,52	34	1F	148,79	160,0	24	67,0	54,0	-	69,0	-	100,0	6,88	PHP 34-14M-40RSB		
		160,43	36	1F	157,68	168,0	24	67,0	54,0	-	69,0	-	100,0	7,60	PHP 36-14M-40RSB		
		169,34	38	1F	166,60	183,0	24	80,0	54,0	-	69,0	-	120,0	8,28	PHP 38-14M-40RSB		
		178,25	40	1F	175,49	188,0	24	80,0	54,0	-	69,0	-	120,0	9,26	PHP 40-14M-40RSB		
		196,08	44	1F	193,28	211,0	24	80,0	54,0	-	69,0	-	120,0	10,32	PHP 44-14M-40RSB		
		213,90	48	2F	211,11	226,0	24	82,0	54,0	-	69,0	-	135,0	11,50	PHP 48-14M-40RSB		
		249,55	56	2F	246,76	256,0	28	82,0	54,0	-	69,0	-	135,0	13,05	PHP 56-14M-40RSB		
		285,21	64	2F	282,41	296,0	28	82,0	54,0	-	69,0	-	135,0	14,40	PHP 64-14M-40RSB		
		320,86	72	5	318,06	-	28	82,0	54,0	-	69,0	-	135,0	16,90	PHP 72-14M-40RSB		
		356,51	80	5	353,71	-	28	82,0	54,0	-	69,0	-	135,0	18,50	PHP 80-14M-40RSB		
		401,07	90	5	398,28	-	28	82,0	54,0	-	69,0	-	135,0	20,00	PHP 90-14M-40RSB		
		499,11	112	5	496,32	-	28	82,0	54,0	-	69,0	-	135,0	26,70	PHP 112-14M-40RSB		
		641,71	144	5	638,92	-	28	82,0	54,0	-	69,0	-	135,0	35,00	PHP 144-14M-40RSB		
		748,66	168	5	745,87	-	28	82,0	54,0	-	69,0	-	135,0	44,20	PHP 168-14M-40RSB		
		855,92	192	5	852,82	-	28	82,0	54,0	-	69,0	-	135,0	52,20	PHP 192-14M-40RSB		
		962,57	216	5	959,76	-	28	90,0	54,0	-	69,0	-	150,0	60,00	PHP 216-14M-40RSB		
		14	55	124,78	28	1F	122,12	127,0	24	67,0	70,0	-	85,0	-	100,0	5,60	PHP 28-14M-55RSB
				129,23	29	1F	126,57	138,0	24	67,0	70,0	-	85,0	-	100,0	6,10	PHP 29-14M-55RSB
				133,69	30	1F	130,99	138,0	24	67,0	70,0	-	85,0	-	100,0	6,60	PHP 30-14M-55RSB
				142,60	32	1F	139,88	154,0	24	67,0	70,0	-	85,0	-	100,0	7,60	PHP 32-14M-55RSB
151,52	34			1F	148,79	160,0	24	67,0	70,0	-	85,0	-	100,0	8,60	PHP 34-14M-55RSB		
160,43	36			1F	157,68	168,0	24	67,0	70,0	-	85,0	-	100,0	9,60	PHP 36-14M-55RSB		
169,34	38			1F	166,60	183,0	24	80,0	70,0	-	85,0	-	120,0	10,80	PHP 38-14M-55RSB		
178,25	40			1F	175,49	188,0	24	80,0	70,0	-	85,0	-	120,0	11,20	PHP 40-14M-55RSB		
196,08	44			1F	193,28	211,0	24	80,0	70,0	-	85,0	-	120,0	12,50	PHP 44-14M-55RSB		
213,90	48			7F	211,11	226,0	24	82,0	70,0	-	70,0	-	135,0	13,70	PHP 48-14M-55RSB		
249,55	56			7F	246,76	256,0	28	82,0	70,0	-	70,0	-	135,0	14,50	PHP 56-14M-55RSB		
285,21	64			7F	282,41	296,0	28	82,0	70,0	-	70,0	-	135,0	15,60	PHP 64-14M-55RSB		
320,86	72			3	318,06	-	28	82,0	70,0	-	70,0	-	135,0	18,50	PHP 72-14M-55RSB		
356,51	80			3	353,71	-	28	82,0	70,0	-	70,0	-	135,0	20,00	PHP 80-14M-55RSB		
401,07	90			3	398,28	-	28	82,0	70,0	-	70,0	-	135,0	22,60	PHP 90-14M-55RSB		
499,11	112			3	496,32	-	28	82,0	70,0	-	70,0	-	135,0	29,50	PHP 112-14M-55RSB		
641,71	144			3	638,92	-	28	82,0	70,0	-	70,0	-	135,0	39,00	PHP 144-14M-55RSB		
748,66	168			3	745,87	-	28	82,0	70,0	-	70,0	-	135,0	48,50	PHP 168-14M-55RSB		
855,62	192			3	852,82	-	28	82,0	70,0	-	70,0	-	135,0	57,80	PHP 192-14M-55RSB		
962,57	216			3	959,76	-	28	82,0	70,0	-	70,0	-	150,0	67,00	PHP 216-14M-55RSB		
14	85	124,78	28	1F	122,12	127,0	24	67,0	102,0	-	117,0	-	100,0	7,70	PHP 28-14M-85RSB		
		129,23	29	1F	126,57	138,0	24	67,0	102,0	-	117,0	-	100,0	8,40	PHP 29-14M-85RSB		
		133,69	30	1F	130,99	138,0	24	67,0	102,0	-	117,0	-	100,0	9,10	PHP 30-14M-85RSB		
		142,60	32	1F	139,88	154,0	24	67,0	102,0	-	117,0	-	100,0	10,50	PHP 32-14M-85RSB		
		151,52	34	1F	148,79	160,0	24	67,0	102,0	-	117,0	-	100,0	11,90	PHP 34-14M-85RSB		
		160,43	36	1F	157,68	168,0	32	67,0	102,0	-	117,0	-	100,0	13,20	PHP 36-14M-85RSB		
		169,34	38	1F	166,60	183,0	32	80,0	102,0	-	117,0	-	120,0	15,15	PHP 38-14M-85RSB		
		178,25	40	1F	175,49	188,0	32	90,0	102,0	-	117,0	-	135,0	17,10	PHP 40-14M-85RSB		
		196,08	44	1F	193,28	211,0	32	90,0	102,0	-	117,0	-	135,0	23,30	PHP 44-14M-85RSB		
		213,90	48	1F	211,11	226,0	32	100,0	102,0	-	117,0	-	150,0	25,00	PHP 48-14M-85RSB		
		249,55	56	7F	246,76	256,0	32	90,0	102,0	-	102,0	-	150,0	25,00	PHP 56-14M-85RSB		
		285,21	64	7F	282,41	296,0	32	90,0	102,0	-	102,0	-	150,0	28,20	PHP 64-14M-85RSB		
		320,86	72	3	318,06	-	32	90,0	102,0	-	102,0	-	150,0	28,80	PHP 72-14M-85RSB		
		356,51	80	3	353,71	-	32	90,0	102,0	-	102,0	-	150,0	30,10	PHP 80-14M-85RSB		
		401,07	90	3	398,28	-	32	90,0	102,0	-	102,0	-	150,0	33,00	PHP 90-14M-85RSB		
		499,11	112	3	496,32	-	32	90,0	102,0	-	102,0	-	150,0	41,80	PHP 112-14M-85RSB		
		641,71	144	3	638,92	-	32	90,0	102,0	-	102,0	-	150,0	52,40	PHP 144-14M-85RSB		

HiTD pulleys

14 mm pitch pilot bore (RSB)



Type 3

Type 1F

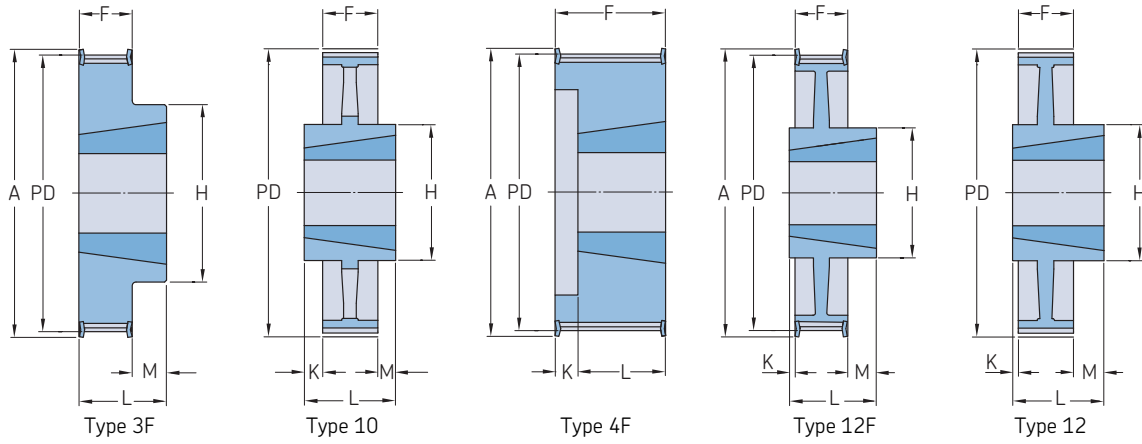
Type 7F

Type 7

Pitch	Belt width	Pitch diameter	Number of teeth	Pulley type	Dimensions									Mass	Designation
					Outer diameter OD	A	B Min.	Max.	F	K	L	M	H		
mm		PD	-	-	mm									kg	-
14	85	748,66	168	3	745,87	-	32	90,0	102,0	-	102,0	-	150,0	60,30	PHP 168-14M-85RSB
		855,62	192	3	852,82	-	32	100,0	102,0	-	102,0	-	165,0	70,20	PHP 192-14M-85RSB
		962,57	216	3	959,76	-	32	100,0	102,0	-	102,0	-	165,0	81,00	PHP 216-14M-85RSB
14	115	124,78	28	1F	122,12	127,0	32	67,0	133,0	-	148,0	-	100,0	9,20	PHP 28-14M-115RSB
		129,23	29	1F	126,57	138,0	32	67,0	133,0	-	148,0	-	100,0	10,20	PHP 29-14M-115RSB
		133,69	30	1F	130,99	138,0	32	67,0	133,0	-	148,0	-	100,0	11,20	PHP 30-14M-115RSB
		142,60	32	1F	139,88	154,0	32	67,0	133,0	-	148,0	-	100,0	13,20	PHP 32-14M-115RSB
		151,52	34	1F	148,79	160,0	32	67,0	133,0	-	148,0	-	100,0	14,80	PHP 34-14M-115RSB
		160,43	36	1F	157,68	168,0	32	80,0	133,0	-	148,0	-	120,0	16,60	PHP 36-14M-115RSB
		169,34	38	1F	166,60	183,0	32	80,0	133,0	-	148,0	-	120,0	19,20	PHP 38-14M-115RSB
		178,25	40	1F	175,49	188,0	32	90,0	133,0	-	148,0	-	135,0	20,56	PHP 40-14M-115RSB
		196,08	44	1F	193,28	211,0	32	94,0	133,0	-	148,0	-	140,0	26,00	PHP 44-14M-115RSB
		213,90	48	1F	211,11	226,0	32	100,0	133,0	-	148,0	-	150,0	30,00	PHP 48-14M-115RSB
		249,55	56	1F	246,76	256,0	32	100,0	133,0	-	148,0	-	150,0	36,00	PHP 56-14M-115RSB
		285,21	64	7F	282,41	296,0	32	90,0	133,0	-	133,0	-	150,0	39,00	PHP 64-14M-115RSB
		320,86	72	3	318,06	-	32	90,0	133,0	-	133,0	-	150,0	32,83	PHP 72-14M-115RSB
		356,51	80	3	353,71	-	32	90,0	133,0	-	133,0	-	150,0	35,55	PHP 80-14M-115RSB
		401,07	90	3	398,28	-	32	90,0	133,0	-	133,0	-	150,0	41,00	PHP 90-14M-115RSB
		499,11	112	3	496,32	-	32	90,0	133,0	-	133,0	-	150,0	54,40	PHP 112-14M-115RSB
		641,71	144	3	638,92	-	32	100,0	133,0	-	133,0	-	165,0	67,80	PHP 144-14M-115RSB
		748,66	168	3	745,87	-	32	100,0	133,0	-	133,0	-	165,0	75,80	PHP 168-14M-115RSB
855,62	192	3	852,82	-	32	100,0	133,0	-	133,0	-	165,0	90,30	PHP 192-14M-115RSB		
962,57	216	3	959,76	-	32	100,0	133,0	-	133,0	-	165,0	105,00	PHP 216-14M-115RSB		
14	170	124,78	28	1F	122,12	127,0	32	67,0	187,0	-	202,0	-	100,0	13,80	PHP 28-14M-170RSB
		129,23	29	1F	126,57	138,0	32	67,0	187,0	-	202,0	-	100,0	14,20	PHP 29-14M-170RSB
		133,69	30	1F	130,99	138,0	32	67,0	187,0	-	202,0	-	100,0	15,60	PHP 30-14M-170RSB
		142,60	32	1F	139,88	154,0	32	67,0	187,0	-	202,0	-	100,0	18,10	PHP 32-14M-170RSB
		151,52	34	1F	148,79	160,0	32	67,0	187,0	-	202,0	-	100,0	20,40	PHP 34-14M-170RSB
		160,43	36	1F	157,68	168,0	32	80,0	187,0	-	202,0	-	120,0	23,50	PHP 36-14M-170RSB
		169,34	38	1F	166,60	183,0	32	90,0	187,0	-	202,0	-	135,0	26,50	PHP 38-14M-170RSB
		178,25	40	1F	175,49	188,0	32	94,0	187,0	-	202,0	-	140,0	30,10	PHP 40-14M-170RSB
		196,08	44	1F	193,28	211,0	32	100,0	187,0	-	202,0	-	160,0	37,80	PHP 44-14M-170RSB
		213,90	48	1F	211,11	226,0	32	107,0	187,0	-	202,0	-	160,0	44,50	PHP 48-14M-170RSB
		249,55	56	1F	246,76	256,0	32	110,0	187,0	-	202,0	-	160,0	61,00	PHP 56-14M-170RSB
		285,21	64	1F	282,41	296,0	32	120,0	187,0	-	202,0	-	180,0	81,00	PHP 64-14M-170RSB
		320,86	72	7	318,06	-	32	120,0	187,0	-	187,0	-	180,0	61,40	PHP 72-14M-170RSB
		356,51	80	7	353,71	-	32	108,0	187,0	-	187,0	-	180,0	65,00	PHP 80-14M-170RSB
		401,07	90	3	398,28	-	38	108,0	187,0	-	187,0	-	180,0	68,00	PHP 90-14M-170RSB
		499,11	112	3	496,32	-	38	108,0	187,0	-	187,0	-	200,0	87,50	PHP 112-14M-170RSB
		641,71	144	3	638,92	-	38	108,0	187,0	-	187,0	-	220,0	114,80	PHP 144-14M-170RSB
		748,66	168	3	745,87	-	38	108,0	187,0	-	187,0	-	220,0	125,00	PHP 168-14M-170RSB
855,62	192	3	852,82	-	38	108,0	187,0	-	187,0	-	220,0	136,40	PHP 192-14M-170RSB		
962,57	216	3	959,76	-	38	108,0	187,0	-	187,0	-	220,0	147,00	PHP 216-14M-170RSB		

HiTD pulleys

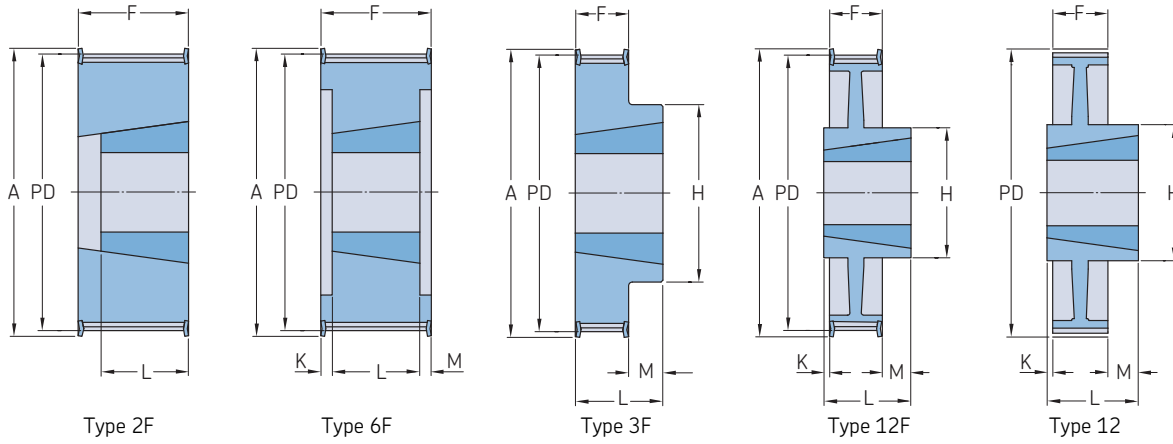
5 mm pitch taper bushed | 8 mm pitch taper bushed



Pitch	Belt width	Pitch diameter PD	Number of teeth	Pulley type	Bushing number	Dimensions								Mass*	Designation			
						Outer diameter OD	A	B Min.	Max.	F	K	L	M			H		
mm						mm								kg				
5	15	54,11	34	3F	1008	52,97	58	9	25,0	20,5	-	22,0	1,5	43	0,19	PHP 34-5M-15TB		
		57,30	36	3F	1108	56,16	61	9	28,0	20,5	-	22,0	1,5	45	0,20	PHP 36-5M-15TB		
		60,48	38	3F	1108	59,34	65	9	28,0	20,5	-	22,0	1,5	48	0,25	PHP 38-5M-15TB		
		63,66	40	3F	1108	62,52	68	9	28,0	20,5	-	22,0	1,5	52	0,31	PHP 40-5M-15TB		
		70,03	44	3F	1108	68,89	74	9	28,0	20,5	-	22,0	1,5	54	0,40	PHP 44-5M-15TB		
		76,39	48	3F	1210	75,25	80	11	32,0	20,5	-	25,0	4,5	64	0,45	PHP 48-5M-15TB		
		89,13	56	3F	1210	87,99	93	11	32,0	20,5	-	25,0	4,5	70	0,67	PHP 56-5M-15TB		
		101,86	64	3F	1210	100,72	106	11	32,0	20,5	-	25,0	4,5	78	0,96	PHP 64-5M-15TB		
		114,59	72	3F	1610	113,45	118	14	42,0	20,5	-	25,0	4,5	90	1,19	PHP 72-5M-15TB		
		127,32	80	3F	1610	126,18	135	14	42,0	20,5	-	25,0	4,5	92	1,57	PHP 80-5M-15TB		
		143,24	90	10	1610	142,10	-	14	42,0	20,5	2,3	25,0	2,3	92	1,47	PHP 90-5M-15TB		
		178,25	112	10	1610	177,11	-	14	42,0	20,5	2,3	25,0	2,3	92	1,94	PHP 112-5M-15TB		
		216,45	136	10	2012	215,31	-	14	50,0	20,5	5,8	32,0	5,8	106	3,06	PHP 136-5M-15TB		
		238,73	150	10	2012	237,51	-	14	50,0	20,5	5,8	32,0	5,8	106	4,50	PHP 150-5M-15TB		
		8	20	56,02	22	4F	1008	54,65	65	9	25,0	28,0	6,0	22,0	-	-	0,24	PHP 22-8M-20TB
				61,12	24	4F	1108	59,75	70	9	28,0	28,0	6,0	22,0	-	-	0,30	PHP 24-8M-20TB
				66,21	26	4F	1108	64,84	75	9	28,0	28,0	6,0	22,0	-	-	0,36	PHP 26-8M-20TB
				71,30	28	4F	1108	70,08	80	9	28,0	28,0	6,0	22,0	-	-	0,44	PHP 28-8M-20TB
76,39	30			4F	1108	75,13	85	11	28,0	28,0	6,0	22,0	-	-	0,45	PHP 30-8M-20TB		
81,49	32			4F	1610	80,16	90	11	42,0	28,0	3,0	25,0	-	-	0,50	PHP 32-8M-20TB		
86,58	34			4F	1610	85,22	95	14	42,0	28,0	3,0	25,0	-	-	0,55	PHP 34-8M-20TB		
91,67	36			4F	1610	90,30	100	14	42,0	28,0	3,0	25,0	-	-	0,68	PHP 36-8M-20TB		
96,77	38			4F	1610	95,39	106	14	42,0	28,0	3,0	25,0	-	-	0,80	PHP 38-8M-20TB		
101,86	40			4F	1610	100,49	110	14	42,0	28,0	3,0	25,0	-	-	1,00	PHP 40-8M-20TB		
106,95	42			4F	1610	105,58	110	14	42,0	28,0	3,0	25,0	-	-	1,11	PHP 42-8M-20TB		
112,05	44			3F	2012	110,67	121	14	50,0	28,0	-	32,0	4,0	92	1,20	PHP 44-8M-20TB		
122,23	48			3F	2012	120,86	131	14	50,0	28,0	-	32,0	4,0	96	1,60	PHP 48-8M-20TB		
142,60	56			3F	2012	141,23	151	14	50,0	28,0	-	32,0	4,0	110	2,40	PHP 56-8M-20TB		
152,79	60			3F	2012	151,42	162	14	50,0	28,0	-	32,0	4,0	110	2,55	PHP 60-8M-20TB		
162,97	64			12F	2012	161,60	171	14	50,0	28,0	-	32,0	4,0	110	2,70	PHP 64-8M-20TB		
183,35	72			12F	2012	181,97	192	14	50,0	28,0	-	32,0	4,0	110	3,30	PHP 72-8M-20TB		
203,72	80			12	2012	202,35	-	16	50,0	28,0	-	32,0	4,0	110	3,50	PHP 80-8M-20TB		
229,18	90	12	2012	227,81	-	16	50,0	28,0	-	32,0	4,0	110	3,65	PHP 90-8M-20TB				
8	30	50,93	20	4F	1008	49,56	60	9	25,0	38,0	16,0	22,0	-	-	0,23	PHP 20-8M-30TB		
		53,47	21	4F	1008	52,10	65	9	25,0	38,0	16,0	22,0	-	-	0,26	PHP 21-8M-30TB		
		56,02	22	4F	1008	54,65	65	9	25,0	38,0	16,0	22,0	-	-	0,29	PHP 22-8M-30TB		
		58,57	23	4F	1108	57,20	70	9	28,0	38,0	16,0	22,0	-	-	0,32	PHP 23-8M-30TB		
		61,12	24	4F	1108	59,75	70	9	28,0	38,0	16,0	22,0	-	-	0,38	PHP 24-8M-30TB		
		63,66	25	4F	1108	62,29	75	9	28,0	38,0	16,0	22,0	-	-	0,41	PHP 25-8M-30TB		
		66,21	26	4F	1108	64,84	75	9	28,0	38,0	16,0	22,0	-	-	0,45	PHP 26-8M-30TB		
		68,75	27	4F	1108	67,38	80	9	28,0	38,0	16,0	22,0	-	-	0,49	PHP 27-8M-30TB		
		71,30	28	4F	1210	70,08	80	11	32,0	38,0	16,0	25,0	-	-	0,50	PHP 28-8M-30TB		

* Mass does not include bushings.

HiTD pulleys
8 mm pitch taper bushed

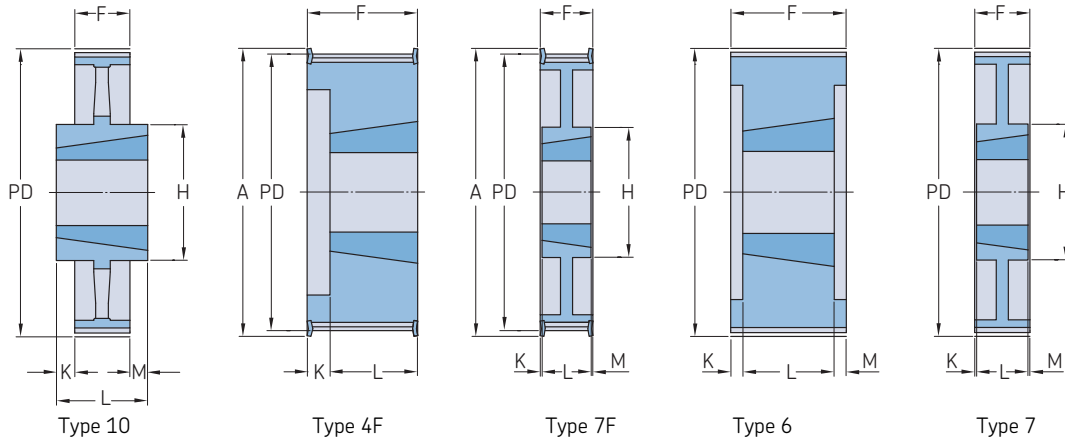


Pitch	Belt width	Pitch diameter	Number of teeth	Pulley type	Bushing number	Dimensions		B Min.	Max.	F	K	L	M	H	Mass*	Designation
						Outer diameter OD	A									
mm		PD	-	-	-	mm									kg	-
8	30	76,39	30	2F	1615	75,13	85	11	42,0	38,0	-	38,0	-	-	0,55	PHP 30-8M-30TB
		78,94	31	2F	1615	77,57	90	14	42,0	38,0	-	38,0	-	-	0,57	PHP 31-8M-30TB
		81,49	32	2F	1615	80,16	90	14	42,0	38,0	-	38,0	-	-	0,59	PHP 32-8M-30TB
		84,03	33	2F	1615	82,66	95	14	42,0	38,0	-	38,0	-	-	0,73	PHP 33-8M-30TB
		86,58	34	2F	1615	85,22	95	14	42,0	38,0	-	38,0	-	-	0,77	PHP 34-8M-30TB
		89,13	35	2F	1615	87,75	100	14	42,0	38,0	-	38,0	-	-	0,82	PHP 35-8M-30TB
		91,67	36	2F	1615	90,30	100	14	42,0	38,0	-	38,0	-	-	0,96	PHP 36-8M-30TB
		96,77	38	2F	1615	95,39	106	14	42,0	38,0	-	38,0	-	-	1,15	PHP 38-8M-30TB
		101,86	40	2F	1615	100,49	110	14	42,0	38,0	-	38,0	-	-	1,34	PHP 40-8M-30TB
		106,95	42	2F	1615	105,58	110	14	42,0	38,0	-	38,0	-	-	1,36	PHP 42-8M-30TB
		112,05	44	6F	2012	110,67	121	14	50,0	38,0	6,0	32,0	-	-	1,33	PHP 44-8M-30TB
		114,59	45	6F	2012	113,22	121	14	50,0	38,0	6,0	32,0	-	-	1,62	PHP 45-8M-30TB
		122,23	48	6F	2012	120,86	131	14	50,0	38,0	6,0	32,0	-	-	1,78	PHP 48-8M-30TB
		127,32	50	6F	2012	125,95	136	14	50,0	38,0	3,0	32,0	3,0	-	2,08	PHP 50-8M-30TB
		132,42	52	6F	2012	131,04	141	14	50,0	38,0	3,0	32,0	3,0	-	2,39	PHP 52-8M-30TB
		142,60	56	6F	2012	141,23	151	14	50,0	38,0	6,0	32,0	-	-	3,76	PHP 56-8M-30TB
		147,70	58	6F	2012	146,32	156	14	50,0	38,0	3,0	32,0	3,0	-	3,87	PHP 58-8M-30TB
		152,79	60	6F	2517	151,42	162	16	60,0	38,0	3,0	45,0	3,0	-	3,98	PHP 60-8M-30TB
		162,97	64	3F	2517	161,60	171	16	60,0	38,0	-	45,0	7,0	125	4,20	PHP 64-8M-30TB
		183,35	72	12F	2517	181,97	192	16	60,0	38,0	-	45,0	7,0	125	4,30	PHP 72-8M-30TB
203,72	80	12	2517	202,35	-	16	60,0	38,0	-	45,0	7,0	125	4,60	PHP 80-8M-30TB		
229,18	90	12	2517	227,81	-	16	60,0	38,0	-	45,0	7,0	125	5,00	PHP 90-8M-30TB		
285,21	112	12	2517	283,83	-	16	60,0	38,0	-	45,0	7,0	125	6,20	PHP 112-8M-30TB		
366,69	144	12	2517	365,32	-	16	60,0	38,0	-	45,0	7,0	125	9,00	PHP 144-8M-30TB		

* Mass does not include bushings.

HiTD pulleys

8 mm pitch taper bushed

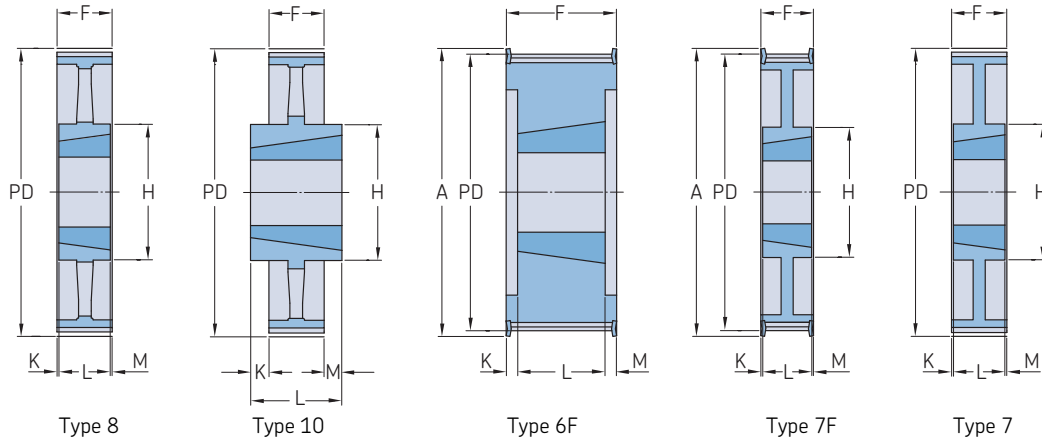


Pitch	Belt width	Pitch diameter PD	Number of teeth	Pulley type	Bushing number	Dimensions		B Min.	Max.	F	K	L	M	H	Mass*	Designation
						Outer diameter OD	A									
mm		kg														
8	30	427,81	168	10	3020	426,44	-	25	75,0	38,0	7,0	51,0	7,0	170	15,00	PHP 168-8M-30TB
		488,92	192	10	3525	487,55	-	35	100,0	38,0	14,0	65,0	7,0	198	18,50	PHP 192-8M-30TB
8	50	61,12	24	6F	1108	59,75	70	9	32,0	60,0	19,0	22,0	19,0	-	0,35	PHP 24-8M-50TB
		66,21	26	6F	1108	64,84	75	9	32,0	60,0	19,0	22,0	19,0	-	0,48	PHP 26-8M-50TB
		68,75	27	6F	1108	67,38	75	9	32,0	60,0	19,0	22,0	19,0	-	0,55	PHP 27-8M-50TB
		71,30	28	4F	1210	70,08	80	11	32,0	60,0	35,0	22,0	35,0	-	0,60	PHP 28-8M-50TB
		76,39	30	4F	1615	75,13	85	14	42,0	60,0	23,0	25,0	-	-	0,65	PHP 30-8M-50TB
		78,94	31	4F	1615	77,57	87	14	42,0	60,0	23,0	25,0	-	-	0,77	PHP 31-8M-50TB
		81,49	32	4F	1615	80,16	90	14	42,0	60,0	23,0	25,0	-	-	0,82	PHP 32-8M-50TB
		84,03	33	4F	1615	82,66	90	14	42,0	60,0	23,0	25,0	-	-	0,98	PHP 33-8M-50TB
		86,58	34	4F	1615	85,22	95	14	42,0	60,0	23,0	25,0	-	-	1,06	PHP 34-8M-50TB
		89,13	35	4F	1615	87,75	95	14	42,0	60,0	23,0	25,0	-	-	1,18	PHP 35-8M-50TB
		91,67	36	4F	1615	90,30	100	14	42,0	60,0	23,0	25,0	-	-	1,30	PHP 36-8M-50TB
		96,77	38	4F	1615	95,39	105	14	42,0	60,0	23,0	25,0	-	-	1,60	PHP 38-8M-50TB
		101,86	40	4F	2012	100,49	110	14	50,0	60,0	29,0	32,0	-	-	1,71	PHP 40-8M-50TB
		106,95	42	4F	2012	105,58	111	14	50,0	60,0	29,0	32,0	28,0	-	1,75	PHP 42-8M-50TB
		112,05	44	6F	2012	110,67	121	14	50,0	60,0	-	32,0	28,0	-	1,78	PHP 44-8M-50TB
		114,59	45	6F	2012	113,22	121	14	50,0	60,0	-	32,0	28,0	-	1,91	PHP 45-8M-50TB
		122,23	48	6F	2012	120,86	131	14	50,0	60,0	-	32,0	28,0	-	2,30	PHP 48-8M-50TB
		127,32	50	6F	2012	125,95	131	14	50,0	60,0	-	32,0	28,0	-	2,58	PHP 50-8M-50TB
		132,42	52	6F	2012	131,04	140	14	50,0	60,0	-	32,0	28,0	-	2,85	PHP 52-8M-50TB
		142,60	56	6F	2517	141,23	151	16	60,0	60,0	-	45,0	15,0	-	3,40	PHP 56-8M-50TB
		147,70	58	6F	2517	146,32	156	16	60,0	60,0	-	45,0	15,0	-	3,80	PHP 58-8M-50TB
		152,79	60	6F	2517	151,42	158	16	60,0	60,0	-	45,0	15,0	-	4,20	PHP 60-8M-50TB
162,97	64	6F	2517	161,60	171	16	60,0	60,0	-	45,0	15,0	-	5,00	PHP 64-8M-50TB		
183,35	72	7F	2517	181,97	192	16	60,0	60,0	7,5	45,0	7,5	125	6,70	PHP 72-8M-50TB		
203,72	80	6	3020	202,35	-	25	75,0	60,0	4,5	45,0	4,5	-	8,80	PHP 80-8M-50TB		
229,18	90	7	3020	227,81	-	25	75,0	60,0	4,5	51,0	4,5	160	10,00	PHP 90-8M-50TB		
285,21	112	7	3020	283,83	-	25	75,0	60,0	4,5	51,0	4,5	170	12,00	PHP 112-8M-50TB		

* Mass does not include bushings.

HiTD pulleys

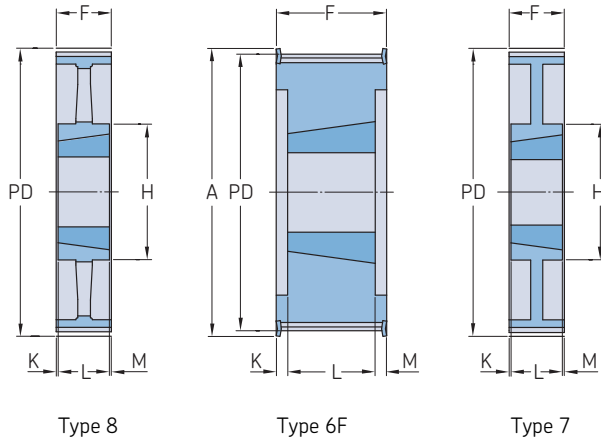
8 mm pitch taper bushed | 14 mm pitch taper bushed



Pitch	Belt width	Pitch diameter	Number of teeth	Pulley type	Bushing number	Dimensions		A	B Min.	Max.	F	K	L	M	H	Mass*	Designation
						Outer diameter OD	mm										
mm		PD				mm										kg	
8	50	366,69	144	8	3020	365,32	-	25	75,0	60,0	4,5	51,0	4,5	170	15,20	PHP 144-8M-50TB	
		427,81	168	10	3525	426,44	-	25	100,0	60,0	4,5	51,0	4,5	170	16,40	PHP 168-8M-50TB	
		488,92	192	10	3525	487,55	-	25	100,0	60,0	4,5	51,0	4,5	170	21,80	PHP 192-8M-50TB	
		61,12	24	6F	1108	59,75	70	9	28,0	95,0	36,5	22,0	36,5	-	0,46	PHP 24-8M-85TB	
		66,21	26	6F	1108	64,84	75	9	28,0	95,0	36,5	22,0	36,5	-	0,64	PHP 26-8M-85TB	
		71,30	28	6F	1108	70,08	80	9	28,0	95,0	36,5	22,0	36,5	-	0,82	PHP 28-8M-85TB	
	8	85	76,39	30	6F	1615	75,13	85	14	42,0	95,0	36,5	22,0	36,5	-	1,17	PHP 30-8M-85TB
			84,03	33	6F	1615	82,66	90	14	42,0	95,0	36,5	22,0	36,5	-	1,34	PHP 33-8M-85TB
			86,58	34	6F	1615	85,22	95	14	42,0	95,0	28,5	38,0	28,5	-	1,43	PHP 34-8M-85TB
			89,13	35	6F	1615	87,75	95	14	42,0	95,0	28,5	38,0	28,5	-	1,54	PHP 35-8M-85TB
			91,67	36	6F	1615	90,30	100	14	42,0	95,0	28,5	38,0	28,5	-	1,87	PHP 36-8M-85TB
			96,77	38	6F	1615	95,39	106	14	42,0	95,0	28,5	38,0	28,5	-	2,20	PHP 38-8M-85TB
101,86		40	6F	2012	100,49	110	14	50,0	95,0	31,5	32,0	31,5	-	1,80	PHP 40-8M-85TB		
106,95		42	6F	2012	105,58	110	14	50,0	95,0	31,5	32,0	31,5	-	2,16	PHP 42-8M-85TB		
112,05		44	6F	2012	110,67	121	14	50,0	95,0	31,5	32,0	31,5	-	2,30	PHP 44-8M-85TB		
114,59		45	6F	2012	113,22	121	14	50,0	95,0	31,5	32,0	31,5	-	2,39	PHP 45-8M-85TB		
122,23		48	6F	2517	120,86	131	16	60,0	95,0	25,0	45,0	25,0	-	2,66	PHP 48-8M-85TB		
127,32		50	6F	2517	125,95	131	16	60,0	95,0	25,0	45,0	25,0	-	3,11	PHP 50-8M-85TB		
132,42		52	6F	2517	131,04	140	16	60,0	95,0	25,0	45,0	25,0	-	3,56	PHP 52-8M-85TB		
142,60		56	6F	2517	141,23	151	16	60,0	95,0	25,0	45,0	25,0	-	4,45	PHP 56-8M-85TB		
147,70		58	6F	2517	146,32	158	16	60,0	95,0	25,0	45,0	25,0	-	4,89	PHP 58-8M-85TB		
152,79		60	6F	2517	151,42	158	16	60,0	95,0	25,0	45,0	25,0	-	5,33	PHP 60-8M-85TB		
162,97		64	7F	2517	161,60	171	16	60,0	95,0	25,0	45,0	25,0	-	6,20	PHP 64-8M-85TB		
183,35		72	7	3020	181,97	192	25	75,0	95,0	22,0	51,0	22,0	-	8,00	PHP 72-8M-85TB		
203,72	80	8	3020	202,35	-	25	75,0	95,0	22,0	51,0	22,0	-	10,00	PHP 80-8M-85TB			
229,18	90	8	3020	227,81	-	25	75,0	95,0	22,0	51,0	22,0	-	10,80	PHP 90-8M-85TB			
285,21	112	8	3020	283,83	-	25	75,0	95,0	22,0	51,0	22,0	170	15,00	PHP 112-8M-85TB			
366,69	144	8	3535	365,32	-	35	90,0	95,0	3,0	89,0	3,0	190	20,00	PHP 144-8M-85TB			
427,81	168	8	3535	426,44	-	35	90,0	95,0	3,0	89,0	3,0	190	23,00	PHP 168-8M-85TB			
488,92	192	8	3535	487,55	-	35	90,0	95,0	3,0	89,0	3,0	190	28,50	PHP 192-8M-85TB			
14	40	124,78	28	6F	2012	122,12	141	14	50,0	54,0	11,0	32,0	11,0	-	2,66	PHP 28-14M-40TB	
		129,23	29	6F	2012	126,57	141	14	50,0	54,0	11,0	32,0	11,0	-	2,66	PHP 29-14M-40TB	
		133,69	30	6F	2012	130,99	156	14	50,0	54,0	11,0	32,0	11,0	-	2,89	PHP 30-14M-40TB	
		142,60	32	6F	2012	139,88	156	14	50,0	54,0	11,0	32,0	11,0	-	3,51	PHP 32-14M-40TB	
		151,52	34	6F	2517	148,79	165	16	60,0	54,0	4,5	45,0	4,5	-	3,87	PHP 34-14M-40TB	
		155,97	35	6F	2517	153,18	173	16	60,0	54,0	4,5	45,0	4,5	-	4,34	PHP 35-14M-40TB	
	160,43	36	6F	2517	157,68	173	16	60,0	54,0	4,5	45,0	4,5	-	4,62	PHP 36-14M-40TB		
	169,34	38	6F	2517	166,60	182	16	60,0	54,0	4,5	45,0	4,5	-	5,40	PHP 38-14M-40TB		
	178,25	40	6F	2517	175,49	191	16	60,0	54,0	4,5	45,0	4,5	-	6,23	PHP 40-14M-40TB		
	187,17	42	6F	2517	184,37	209	16	60,0	54,0	4,5	45,0	4,5	-	6,75	PHP 42-14M-40TB		
	196,08	44	6F	3020	193,28	209	25	75,0	54,0	1,5	51,0	1,5	-	7,26	PHP 44-14M-40TB		
	200,54	45	6F	3020	197,74	227	25	75,0	54,0	1,5	51,0	1,5	-	8,20	PHP 45-14M-40TB		
	213,90	48	6F	3020	211,11	227	25	75,0	54,0	1,5	51,0	1,5	-	9,33	PHP 48-14M-40TB		
	222,82	50	6F	3020	220,02	246	25	75,0	54,0	1,5	51,0	1,5	-	10,10	PHP 50-14M-40TB		
	249,55	56	6F	3020	246,76	264	25	75,0	54,0	1,5	51,0	1,5	-	10,80	PHP 56-14M-40TB		
	267,38	60	7F	3020	264,59	281	25	75,0	54,0	1,5	51,0	1,5	170	13,10	PHP 60-14M-40TB		
	285,21	64	7F	3020	282,41	296	25	75,0	54,0	1,5	51,0	1,5	170	15,40	PHP 64-14M-40TB		
	320,86	72	7	3020	318,06	-	25	75,0	54,0	1,5	51,0	1,5	170	19,75	PHP 72-14M-40TB		
	356,51	80	8	3020	353,71	-	25	75,0	54,0	1,5	51,0	1,5	170	20,00	PHP 80-14M-40TB		
	401,07	90	8	3020	398,28	-	25	75,0	54,0	1,5	51,0	1,5	170	21,80	PHP 90-14M-40TB		
	499,11	112	8	3020	496,32	-	25	75,0	54,0	1,5	51,0	1,5	170	29,60	PHP 112-14M-40TB		
	641,71	144	8	3020	638,92	-	25	75,0	54,0	1,5	51,0	1,5	170	36,00	PHP 144-14M-40TB		
	748,66	168	8	3020	745,87	-	25	75,0	54,0	1,5	51,0	1,5	170	48,00	PHP 168-14M-40TB		

* Mass does not include bushings.

HiTD pulleys
14 mm pitch taper bushed

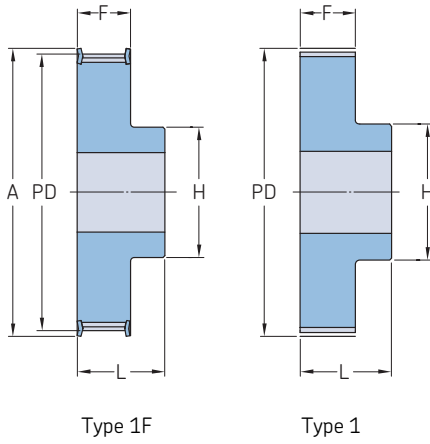


Pitch	Belt width	Pitch diameter PD	Number of teeth	Pulley type	Bushing number	Dimensions									Mass*	Designation
						Outer diameter OD	A	B		F	K	L	M	H		
mm					mm			Min.	Max.						kg	
14	115	641,71	144	8	4040	638,92	–	40	100,0	133,0	15,5	102,0	15,5	230	75,00	PHP 144-14M-115TB
		748,66	168	8	4040	745,87	–	40	100,0	133,0	15,5	102,0	15,5	230	92,60	PHP 168-14M-115TB
		855,62	192	8	4040	852,92	–	40	100,0	133,0	15,5	102,0	15,5	230	230,00	PHP 192-14M-115TB
		962,57	216	8	4040	959,76	–	40	100,0	133,0	15,5	102,0	15,5	230	127,00	PHP 216-14M-115TB
14	170	155,97	35	6F	3030	153,18	173	35	75,0	187,0	55,5	76,0	55,5	–	10,60	PHP 35-14M-170TB
		160,43	36	6F	3030	157,68	173	35	75,0	187,0	55,5	76,0	55,5	–	11,20	PHP 36-14M-170TB
		169,34	38	6F	3030	167,00	182	35	75,0	187,0	55,5	76,0	55,5	–	11,70	PHP 38-14M-170TB
		178,25	40	6F	3030	175,00	191	35	75,0	187,0	55,5	76,0	55,5	–	13,00	PHP 40-14M-170TB
		187,17	42	6F	3535	184,37	202	35	90,0	187,0	49,0	89,0	49,0	–	14,00	PHP 42-14M-170TB
		196,08	44	6F	3535	193,00	209	35	90,0	187,0	49,0	89,0	49,0	–	15,00	PHP 44-14M-170TB
		200,54	45	6F	3535	197,74	212	35	90,0	187,0	49,0	89,0	49,0	–	16,00	PHP 45-14M-170TB
		213,90	48	6F	3535	211,00	227	35	90,0	187,0	49,0	89,0	49,0	–	19,00	PHP 48-14M-170TB
		222,82	50	6F	3535	220,02	246	35	90,0	187,0	49,0	89,0	49,0	–	23,80	PHP 50-14M-170TB
		249,55	56	6F	3535	247,00	263	35	90,0	187,0	49,0	89,0	49,0	–	28,50	PHP 56-14M-170TB
		267,38	60	6F	4040	264,59	281	40	100,0	187,0	42,5	114,0	42,5	–	34,80	PHP 60-14M-170TB
		285,21	64	6F	4040	282,00	298	40	100,0	187,0	42,5	114,0	42,5	230	41,00	PHP 64-14M-170TB
		320,86	72	7	4040	318,00	–	40	100,0	187,0	42,5	114,0	42,5	230	46,90	PHP 72-14M-170TB
		356,51	80	7	4040	354,00	–	40	100,0	187,0	42,5	114,0	42,5	230	48,00	PHP 80-14M-170TB
		401,07	90	7	4040	398,00	–	40	100,0	187,0	42,5	114,0	42,5	230	52,50	PHP 90-14M-170TB
		499,11	112	7	5050	496,00	–	70	125,0	187,0	30,0	127,0	30,0	242	74,50	PHP 112-14M-170TB
		641,71	144	8	5050	639,00	–	70	125,0	187,0	30,0	127,0	30,0	394	91,00	PHP 144-14M-170TB
		748,86	168	8	5050	746,00	–	70	125,0	187,0	30,0	127,0	30,0	394	116,00	PHP 168-14M-170TB
		855,62	192	8	5050	853,00	–	70	125,0	187,0	30,0	127,0	30,0	394	134,00	PHP 192-14M-170TB
		962,57	216	8	5050	960,00	–	70	125,0	187,0	30,0	127,0	30,0	394	146,50	PHP 216-14M-170TB

* Mass does not include bushings.

Classical timing pulleys

XL Pilot bore (RSB) | L Pilot bore (RSB)

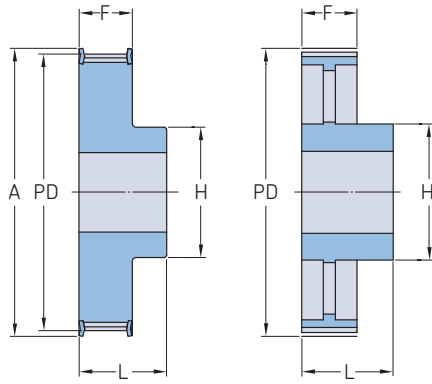


Section	Belt width	Pitch diameter PD	Number of teeth	Pulley type	Dimensions						Mass	Designation	
					Outer diameter OD	A	B Min.	Max.	H	F			L
		mm	-	-	mm						kg	-	
XL	6,4 and 9,5	16,17	10	1F	15,67	23	5	5	9,5	14,3	19,8	0,02	PHP 10XL037RSB
		17,79	11	1F	17,29	23	5	5	9,5	14,3	19,8	0,02	PHP 11XL037RSB
		19,40	12	1F	18,90	25	5	8	12,7	14,3	19,8	0,03	PHP 12XL037RSB
		21,02	13	1F	20,52	25	6	8	12,7	14,3	19,8	0,03	PHP 13XL037RSB
		22,64	14	1F	22,14	28	6	9	14,3	14,3	19,8	0,04	PHP 14XL037RSB
		24,26	15	1F	23,76	28	6	11	15,9	14,3	19,8	0,04	PHP 15XL037RSB
		25,87	16	1F	25,37	32	6	12	17,5	14,3	19,8	0,05	PHP 16XL037RSB
		27,49	17	1F	26,99	36	6	13	20,0	14,3	19,8	0,05	PHP 17XL037RSB
		29,11	18	1F	28,61	36	6	13	20,6	14,3	19,8	0,06	PHP 18XL037RSB
		30,72	19	1F	30,22	36	6	13	20,6	14,3	19,8	0,07	PHP 19XL037RSB
		32,34	20	1F	31,84	38	6	15	23,8	14,3	22,2	0,08	PHP 20XL037RSB
		33,96	21	1F	33,46	38	6	15	23,8	14,3	22,2	0,09	PHP 21XL037RSB
		35,57	22	1F	35,07	42	6	16	25,4	14,3	22,2	0,10	PHP 22XL037RSB
		38,81	24	1F	38,31	44	6	18	27,0	14,3	22,2	0,12	PHP 24XL037RSB
		42,04	26	1F	41,54	48	6	20	30,0	14,3	22,2	0,14	PHP 26XL037RSB
		43,66	27	1F	43,16	48	6	20	30,0	14,3	22,2	0,15	PHP 27XL037RSB
		45,28	28	1F	44,78	51	6	20	30,2	14,3	22,2	0,16	PHP 28XL037RSB
		46,89	29	1F	46,39	51	6	20	30,2	14,3	22,2	0,17	PHP 29XL037RSB
		48,51	30	1F	48,01	54	6	24	34,9	14,3	22,2	0,19	PHP 30XL037RSB
		51,74	32	1	51,24	57	8	25	40,0	14,3	25,4	0,11	PHP 32XL037RSB
		54,98	34	1	54,48	-	8	25	38,0	14,3	25,4	0,11	PHP 34XL037RSB
		56,60	35	1	56,10	-	8	25	38,0	14,3	25,4	0,12	PHP 35XL037RSB
		58,21	36	1	57,71	-	8	30	45,0	14,3	25,4	0,13	PHP 36XL037RSB
		61,45	38	1	60,95	-	8	30	45,0	14,3	25,4	0,15	PHP 38XL037RSB
		64,68	40	1	64,18	-	8	30	45,0	14,3	25,4	0,17	PHP 40XL037RSB
		67,91	42	1	67,41	-	8	30	45,0	14,3	25,4	0,20	PHP 42XL037RSB
		71,15	44	1	70,65	-	8	30	45,0	14,3	25,4	0,15	PHP 44XL037RSB
		72,77	45	1	72,27	-	8	30	45,0	14,3	25,4	0,15	PHP 45XL037RSB
		77,62	48	1	77,12	-	8	30	45,0	14,3	25,4	0,16	PHP 48XL037RSB
		97,02	60	1	96,52	-	8	30	45,0	14,3	25,4	0,18	PHP 60XL037RSB
		116,43	72	1	115,93	-	8	30	45,0	14,3	25,4	0,23	PHP 72XL037RSB
		L	12,7	30,32	10	1F	29,56	36	6	14	22,0	19,0	26,0
33,35	11			1F	32,59	39	6	14	22,0	19,0	26,0	0,13	PHP 11L050RSB
36,38	12			1F	35,62	42	6	20	28,0	19,0	30,0	0,19	PHP 12L050RSB
39,41	13			1F	38,65	45	6	20	28,0	19,0	30,0	0,21	PHP 13L050RSB
42,45	14			1F	41,69	48	8	20	28,0	19,0	30,0	0,23	PHP 14L050RSB
45,48	15			1F	44,72	51	8	23	32,0	19,0	30,0	0,27	PHP 15L050RSB
48,51	16			1F	47,75	54	8	24	36,0	19,0	32,0	0,34	PHP 16L050RSB
51,54	17			1F	50,78	57	10	24	38,0	19,0	32,0	0,38	PHP 17L050RSB
54,57	18			1F	53,81	60	10	27	40,0	19,0	32,0	0,41	PHP 18L050RSB
57,61	19			1F	56,85	63	10	27	40,0	19,0	32,0	0,45	PHP 19L050RSB
60,64	20			1F	59,88	66	10	30	46,0	19,0	32,0	0,50	PHP 20L050RSB
63,67	21			1F	62,91	69	10	30	46,0	19,0	32,0	0,55	PHP 21L050RSB
66,70	22			1F	65,94	72	10	33	50,0	19,0	32,0	0,62	PHP 22L050RSB
69,73	23			1F	68,97	78	10	33	50,0	19,0	26,0	0,65	PHP 23L050RSB
72,77	24			1F	72,01	78	12	33	50,0	19,0	26,0	0,68	PHP 24L050RSB
75,80	25			1F	75,04	85	12	33	50,0	19,0	26,0	0,74	PHP 25L050RSB
78,83	26			1F	78,07	85	12	33	50,0	19,0	26,0	0,82	PHP 26L050RSB
81,86	27			1F	81,10	91	12	33	50,0	19,0	26,0	0,85	PHP 27L050RSB
84,89	28			1F	84,13	91	12	33	50,0	19,0	26,0	0,92	PHP 28L050RSB
87,93	29			1F	87,17	91	12	33	50,0	19,0	26,0	1,00	PHP 29L050RSB
90,96	30			1F	90,20	97	12	33	50,0	19,0	26,0	1,10	PHP 30L050RSB
93,99	31			1F	93,23	103	12	33	50,0	19,0	26,0	1,14	PHP 31L050RSB

All XL pulleys are made from aluminium with 2 set screws at 90°. Where keyway is required, reduce maximum bore by twice keyway depth.

Classical timing pulleys

L Pilot bore (RSB)



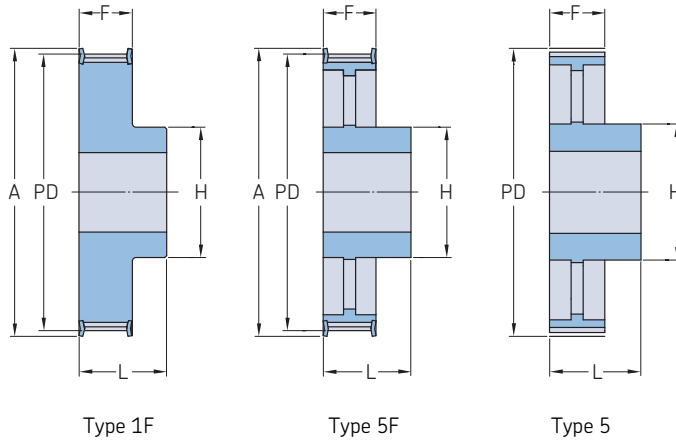
Type 1F

Type 5

Section	Belt width	Pitch diameter PD	Number of teeth	Pulley type	Dimensions						Mass	Designation	
					Outer diameter OD	A	B Min.	Max.	H	F			L
		mm	-	-	mm						kg	-	
L	12,7	97,02	32	1F	96,26	103	12	33	50,0	19,0	26,0	1,19	PHP 32L050RSB
		100,05	33	1F	99,29	106	12	33	50,0	19,0	26,0	1,25	PHP 33L050RSB
		103,08	34	1F	102,32	115	12	33	50,0	19,0	26,0	1,31	PHP 34L050RSB
		106,12	35	1F	105,36	115	12	33	50,0	19,0	26,0	1,37	PHP 35L050RSB
		109,15	36	1F	108,39	115	12	33	50,0	19,0	26,0	1,40	PHP 36L050RSB
		115,21	38	1F	114,45	127	12	33	50,0	19,0	26,0	1,22	PHP 38L050RSB
		121,28	40	1F	120,52	127	12	33	50,0	19,0	26,0	1,26	PHP 40L050RSB
		127,34	42	1F	126,58	139	12	33	50,0	19,0	26,0	1,31	PHP 42L050RSB
		133,40	44	1F	132,64	139	12	33	50,0	19,0	28,0	1,43	PHP 44L050RSB
		136,44	45	1F	135,68	152	12	33	50,0	19,0	28,0	1,49	PHP 45L050RSB
		145,53	48	1F	144,77	152	12	33	50,0	19,0	28,0	1,55	PHP 48L050RSB
		151,60	50	5	150,84	-	12	33	50,0	19,0	28,0	1,66	PHP 50L050RSB
		157,66	52	5	156,90	-	12	33	50,0	19,0	28,0	1,85	PHP 52L050RSB
		169,79	56	5	169,03	-	12	33	50,0	19,0	28,0	1,97	PHP 56L050RSB
		172,82	57	5	172,06	-	12	33	50,0	19,0	28,0	2,09	PHP 57L050RSB
		191,91	60	5	191,15	-	15	45	50,0	19,0	42,0	2,30	PHP 60L050RSB
		218,30	72	5	217,54	-	15	45	75,0	19,0	42,0	2,50	PHP 72L050RSB
		230,43	76	5	229,67	-	15	45	75,0	19,0	42,0	2,70	PHP 76L050RSB
		254,68	84	5	253,92	-	15	45	75,0	19,0	42,0	2,90	PHP 84L050RSB
		283,03	95	5	282,27	-	15	45	75,0	19,0	42,0	3,10	PHP 95L050RSB
291,06	96	5	290,30	-	15	45	75,0	19,0	42,0	3,30	PHP 96L050RSB		
L	19,1	30,32	10	1F	29,56	36	6	14	22,0	25,4	32,0	0,15	PHP 10L075RSB
		33,35	11	1F	32,59	39	6	14	22,0	25,4	32,0	0,20	PHP 11L075RSB
		36,38	12	1F	35,62	42	8	20	28,0	25,4	38,0	0,23	PHP 12L075RSB
		39,41	13	1F	38,65	45	8	20	28,0	25,4	38,0	0,26	PHP 13L075RSB
		42,45	14	1F	41,69	48	8	20	28,0	25,4	38,0	0,28	PHP 14L075RSB
		45,48	15	1F	44,72	51	8	23	32,0	25,4	38,0	0,36	PHP 15L075RSB
		48,51	16	1F	47,75	54	8	24	36,0	25,4	41,0	0,45	PHP 16L075RSB
		51,54	17	1F	50,78	57	10	24	38,0	25,4	41,0	0,50	PHP 17L075RSB
		54,57	18	1F	53,81	60	10	27	40,0	25,4	41,0	0,55	PHP 18L075RSB
		57,61	19	1F	56,85	63	10	27	40,0	25,4	41,0	0,60	PHP 19L075RSB
		60,64	20	1F	59,88	66	10	30	46,0	25,4	41,0	0,65	PHP 20L075RSB
		63,67	21	1F	62,91	69	10	30	46,0	25,4	41,0	0,70	PHP 21L075RSB
		66,70	22	1F	65,94	72	10	33	50,0	25,4	41,0	0,75	PHP 22L075RSB
		69,73	23	1F	68,97	78	10	33	50,0	25,4	32,0	0,81	PHP 23L075RSB
		72,77	24	1F	72,01	79	12	33	50,0	25,4	32,0	0,85	PHP 24L075RSB
		75,80	25	1F	75,04	85	12	33	50,0	25,4	32,0	0,94	PHP 25L075RSB
		78,83	26	1F	78,07	85	12	33	50,0	25,4	32,0	1,02	PHP 26L075RSB
		81,86	27	1F	81,10	91	12	33	50,0	25,4	32,0	1,09	PHP 27L075RSB
		84,89	28	1F	84,13	91	12	33	50,0	25,4	32,0	1,20	PHP 28L075RSB
		87,93	29	1F	87,17	91	12	33	50,0	25,4	32,0	1,33	PHP 29L075RSB
		90,96	30	1F	90,20	97	12	33	50,0	25,4	32,0	1,33	PHP 30L075RSB
		93,99	31	1F	93,23	103	12	33	50,0	25,4	32,0	1,39	PHP 31L075RSB
		97,02	32	1F	96,26	103	12	33	50,0	25,4	32,0	1,45	PHP 32L075RSB
		100,05	33	1F	99,29	106	12	33	50,0	25,4	32,0	1,56	PHP 33L075RSB
		103,08	34	1F	102,32	115	12	33	50,0	25,4	32,0	1,70	PHP 34L075RSB
		106,12	35	1F	105,36	115	12	33	50,0	25,4	32,0	1,78	PHP 35L075RSB
		109,15	36	1F	108,39	115	12	36	55,0	25,4	32,0	1,50	PHP 36L075RSB
		115,21	38	1F	114,45	127	12	36	55,0	25,4	32,0	1,63	PHP 38L075RSB
		121,28	40	1F	120,52	127	12	40	60,0	25,4	32,0	1,79	PHP 40L075RSB
		127,34	42	1F	126,58	139	12	40	60,0	25,4	32,0	1,95	PHP 42L075RSB
133,40	44	1F	132,64	139	12	40	60,0	25,4	35,0	2,05	PHP 44L075RSB		
136,44	45	1F	135,68	152	12	40	60,0	25,4	35,0	2,10	PHP 45L075RSB		

Classical timing pulleys

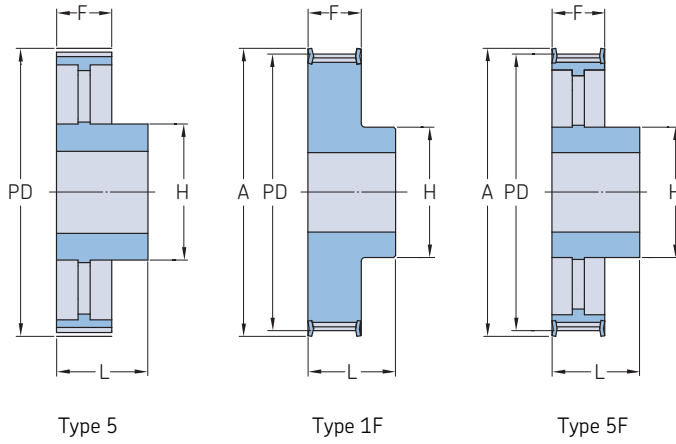
H Pilot bore (RSB)



Section	Belt width	Pitch diameter PD	Number of teeth	Pulley type	Dimensions						Mass	Designation		
					Outer diameter OD	A	B Min.	Max.	H	F			L	
		mm	-	-	mm						kg	-		
H	19,1	129,36	32	1F	127,99	135	15	54	80,0	27,0	40,0	2,20	PHP 32H075RSB	
		133,40	33	1F	132,03	142	15	54	80,0	27,0	40,0	2,25	PHP 33H075RSB	
		137,45	34	1F	136,08	142	15	54	80,0	27,0	40,0	2,30	PHP 34H075RSB	
		141,49	35	1F	140,12	151	15	54	80,0	27,0	40,0	2,35	PHP 35H075RSB	
		145,53	36	1F	144,16	151	20	54	80,0	27,0	40,0	2,40	PHP 36H075RSB	
		153,62	38	1F	152,25	158	20	54	80,0	27,0	40,0	2,60	PHP 38H075RSB	
	161,70	40	1F	160,33	168	20	54	80,0	27,0	40,0	2,80	PHP 40H075RSB		
	169,79	42	1F	168,42	184	20	54	80,0	27,0	40,0	2,90	PHP 42H075RSB		
	177,87	44	5F	176,50	184	20	48	80,0	27,0	40,0	2,70	PHP 44H075RSB		
	181,91	45	5F	180,54	192	20	54	90,0	27,0	45,0	2,85	PHP 45H075RSB		
	194,04	48	5F	192,67	200	20	54	90,0	27,0	45,0	3,00	PHP 48H075RSB		
	202,13	50	5	200,76	-	20	54	90,0	27,0	45,0	3,25	PHP 50H075RSB		
	H	19,1 and 25,4	56,60	14	1F	55,23	63	10	27	40,0	33,3	45,0	0,65	PHP 14H100RSB
			60,64	15	1F	59,27	67	10	30	46,0	33,3	45,0	0,75	PHP 15H100RSB
			64,67	16	1F	63,30	71	10	30	46,0	33,3	45,0	0,85	PHP 16H100RSB
			68,72	17	1F	67,35	75	10	30	46,0	33,3	45,0	0,97	PHP 17H100RSB
			72,77	18	1F	71,40	79	12	30	55,0	33,3	45,0	1,10	PHP 18H100RSB
			76,81	19	1F	75,44	83	12	36	60,0	33,3	45,0	1,20	PHP 19H100RSB
80,85			20	1F	79,48	87	12	41	62,0	33,3	45,0	1,40	PHP 20H100RSB	
84,89			21	1F	83,52	91	12	43	67,0	33,3	45,0	1,60	PHP 21H100RSB	
88,94			22	1F	87,57	95	12	45	70,0	33,3	45,0	1,70	PHP 22H100RSB	
92,98			23	1F	91,61	98	12	46	72,0	33,3	45,0	1,83	PHP 23H100RSB	
97,03			24	1F	95,66	103	12	47	75,0	33,3	45,0	1,95	PHP 24H100RSB	
101,06			25	1F	99,69	107	12	47	75,0	33,3	45,0	2,19	PHP 25H100RSB	
105,11			26	1F	103,74	111	15	54	80,0	33,3	45,0	2,43	PHP 26H100RSB	
109,15			27	1F	107,78	115	15	54	80,0	33,3	45,0	2,57	PHP 27H100RSB	
113,18			28	1F	111,81	119	15	54	80,0	33,3	45,0	2,70	PHP 28H100RSB	
117,23			29	1F	115,86	123	15	54	80,0	33,3	45,0	2,95	PHP 29H100RSB	
121,29			30	1F	119,92	127	15	54	80,0	33,3	45,0	3,20	PHP 30H100RSB	
125,32			31	1F	123,95	131	15	54	80,0	33,3	45,0	3,35	PHP 31H100RSB	
129,36			32	1F	127,99	135	20	54	80,0	33,3	45,0	3,50	PHP 32H100RSB	
133,40			33	1F	132,03	142	20	54	80,0	33,3	45,0	3,78	PHP 33H100RSB	
137,45			34	1F	136,08	142	20	54	80,0	33,3	45,0	4,05	PHP 34H100RSB	
141,49			35	1F	140,12	151	20	54	80,0	33,3	45,0	4,35	PHP 35H100RSB	
145,53			36	1F	144,16	151	20	54	80,0	33,3	45,0	4,65	PHP 36H100RSB	
153,62			38	1F	152,25	158	20	54	80,0	33,3	45,0	4,98	PHP 38H100RSB	
161,70			40	1F	160,33	168	20	54	80,0	33,3	45,0	5,30	PHP 40H100RSB	
169,79			42	1F	168,42	184	20	54	80,0	33,3	45,0	5,50	PHP 42H100RSB	
177,87			44	5F	176,50	184	20	48	80,0	33,3	50,0	4,00	PHP 44H100RSB	
181,91			45	5F	180,54	192	20	54	80,0	33,3	50,0	4,25	PHP 45H100RSB	
194,03			48	5F	192,66	200	20	54	90,0	33,3	50,0	4,50	PHP 48H100RSB	
202,13			50	5	200,76	-	20	54	90,0	33,3	50,0	4,94	PHP 50H100RSB	
210,21	52	5	208,84	-	20	54	90,0	33,3	50,0	5,38	PHP 52H100RSB			
230,42	57	5	229,05	-	20	54	90,0	33,3	50,0	5,82	PHP 57H100RSB			
234,47	58	5	233,10	-	20	54	90,0	33,3	50,0	5,82	PHP 58H100RSB			
242,55	60	5	241,18	-	20	70	120,0	33,3	50,0	6,25	PHP 60H100RSB			
282,98	70	5	281,61	-	20	70	120,0	33,3	55,0	7,55	PHP 70H100RSB			
291,06	72	5	289,69	-	20	70	120,0	33,3	55,0	8,85	PHP 72H100RSB			
307,23	76	5	305,86	-	20	70	120,0	33,3	55,0	9,43	PHP 76H100RSB			
339,57	84	5	338,20	-	20	70	120,0	33,3	55,0	10,00	PHP 84H100RSB			
388,08	96	5	386,71	-	24	70	120,0	33,3	60,0	10,48	PHP 96H100RSB			
485,10	120	5	483,73	-	24	70	120,0	33,3	60,0	13,10	PHP 120H100RSB			
630,63	156	5	629,26	-	24	70	130,0	33,3	60,0	17,20	PHP 156H100RSB			

Classical timing pulleys

H Pilot bore (RSB) | XH Pilot bore (RSB)



Section	Belt width	Pitch diameter PD	Number of teeth	Pulley type	Dimensions						Mass	Designation	
					Outer diameter OD	A	B Min.	Max.	H	F			L
		mm	-	-	mm						kg	-	
H	50,8	234,47	58	5	233,10	-	20	54	90,0	59,5	75,0	8,39	PHP 58H200RSB
		242,55	60	5	241,18	-	20	70	120,0	59,5	75,0	9,27	PHP 60H200RSB
		282,98	70	5	281,61	-	20	70	120,0	59,5	75,0	9,80	PHP 70H200RSB
		291,06	72	5	289,69	-	20	70	120,0	59,5	75,0	10,32	PHP 72H200RSB
		307,23	76	5	305,86	-	20	70	120,0	59,5	75,0	11,41	PHP 76H200RSB
		339,57	84	5	338,20	-	20	70	120,0	59,5	75,0	12,50	PHP 84H200RSB
		388,08	96	5	386,71	-	24	70	120,0	59,5	75,0	14,00	PHP 96H200RSB
		485,10	120	5	483,73	-	24	70	120,0	59,5	75,0	18,10	PHP 120H200RSB
		630,63	156	5	629,26	-	24	70	130,0	59,5	75,0	22,00	PHP 156H200RSB
		56,60	14	1F	55,23	63	14	27	40,0	85,5	100,0	1,80	PHP 14H300RSB
	60,64	15	1F	59,27	67	14	30	46,0	85,5	100,0	1,90	PHP 15H300RSB	
	64,67	16	1F	63,30	71	14	30	46,0	85,5	100,0	2,00	PHP 16H300RSB	
	68,72	17	1F	67,35	75	14	30	46,0	85,5	100,0	2,24	PHP 17H300RSB	
	72,77	18	1F	71,40	79	14	30	55,0	85,5	100,0	2,47	PHP 18H300RSB	
	76,81	19	1F	75,44	83	14	36	60,0	85,5	100,0	2,90	PHP 19H300RSB	
	80,85	20	1F	79,48	87	15	41	62,0	85,5	100,0	3,20	PHP 20H300RSB	
	84,89	21	1F	83,52	91	15	43	67,0	85,5	100,0	3,60	PHP 21H300RSB	
	88,94	22	1F	87,57	95	15	45	70,0	85,5	100,0	4,00	PHP 22H300RSB	
	92,98	23	1F	91,61	98	15	46	72,0	85,5	100,0	4,35	PHP 23H300RSB	
	97,03	24	1F	95,66	103	15	47	75,0	85,5	100,0	4,70	PHP 24H300RSB	
101,06	25	1F	99,69	107	15	47	75,0	85,5	100,0	5,24	PHP 25H300RSB		
105,11	26	1F	103,74	111	15	54	80,0	85,5	100,0	5,78	PHP 26H300RSB		
109,15	27	1F	107,78	115	15	54	80,0	85,5	100,0	6,16	PHP 27H300RSB		
113,18	28	1F	111,81	119	15	54	80,0	85,5	100,0	6,54	PHP 28H300RSB		
117,23	29	1F	115,86	123	15	54	80,0	85,5	100,0	6,77	PHP 29H300RSB		
121,29	30	1F	119,92	127	15	54	80,0	85,5	100,0	7,00	PHP 30H300RSB		
125,32	31	1F	123,95	131	15	54	80,0	85,5	100,0	7,83	PHP 31H300RSB		
129,36	32	1F	127,99	135	20	54	80,0	85,5	100,0	8,66	PHP 32H300RSB		
133,40	33	1F	132,03	142	20	54	80,0	85,5	100,0	9,23	PHP 33H300RSB		
137,45	34	1F	136,08	142	20	54	80,0	85,5	100,0	9,79	PHP 34H300RSB		
141,47	35	1F	140,10	151	20	54	80,0	85,5	100,0	10,36	PHP 35H300RSB		
145,53	36	1F	144,16	151	20	54	80,0	85,5	100,0	10,92	PHP 36H300RSB		
153,62	38	1F	152,25	158	20	54	80,0	85,5	100,0	12,20	PHP 38H300RSB		
161,70	40	1F	160,33	168	20	54	80,0	85,5	100,0	13,50	PHP 40H300RSB		
169,79	42	1F	168,42	184	20	54	80,0	85,5	100,0	14,50	PHP 42H300RSB		
177,87	44	5F	176,50	184	20	48	80,0	85,5	100,0	8,06	PHP 44H300RSB		
194,03	48	5F	192,66	200	20	54	90,0	85,5	100,0	9,67	PHP 48H300RSB		
202,13	50	5	200,76	-	20	54	90,0	85,5	100,0	10,87	PHP 50H300RSB		
230,43	57	5	229,06	-	20	54	90,0	85,5	100,0	11,92	PHP 57H300RSB		
234,47	58	5	233,10	-	20	54	90,0	85,5	100,0	12,07	PHP 58H300RSB		
242,55	60	5	241,18	-	20	70	120,0	85,5	100,0	13,30	PHP 60H300RSB		
291,06	72	5	289,69	-	20	70	120,0	85,5	100,0	15,70	PHP 72H300RSB		
307,24	76	5	305,87	-	20	70	120,0	85,5	100,0	16,17	PHP 76H300RSB		
339,57	84	5	338,20	-	20	70	120,0	85,5	100,0	17,10	PHP 84H300RSB		
388,09	96	5	386,72	-	24	70	120,0	85,5	100,0	20,40	PHP 96H300RSB		
485,12	120	5	483,75	-	24	70	120,0	85,5	100,0	27,80	PHP 120H300RSB		
630,63	156	5	629,26	-	24	70	130,0	85,5	100,0	35,00	PHP 156H300RSB		
XH	50,8	127,34	18	1F	124,54	141	24	67	100,0	65,1	80,0	5,00	PHP 18XH200RSB
		134,41	19	1F	131,61	146	24	67	100,0	65,1	80,0	5,50	PHP 19XH200RSB
		141,49	20	1F	138,69	155	24	67	100,0	65,1	80,0	6,00	PHP 20XH200RSB
		148,56	21	1F	145,76	169	24	73	110,0	65,1	80,0	6,60	PHP 21XH200RSB
		155,64	22	1F	152,84	169	24	73	110,0	65,1	80,0	7,20	PHP 22XH200RSB
		169,79	24	1F	166,99	183	24	80	120,0	65,1	80,0	8,60	PHP 24XH200RSB

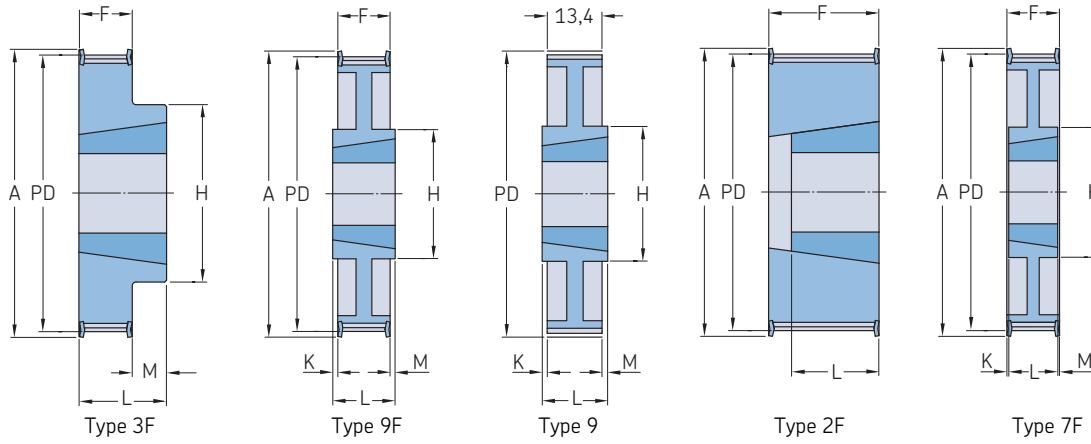
Classical timing pulleys

XH Pilot bore (RSB)

Section	Belt width	Pitch diameter PD	Number of teeth	Pulley type	Dimensions							Mass	Designation		
					Outer diameter OD	A	B Min.	Max.	H	F	L				
–	mm	–	–	–	mm							kg	–		
XH	50,8	176,86	25	1F	174,06	198	24	80	120,0	65,1	80,0	9,40	PHP 25XH200RSB		
		183,93	26	1F	181,13	198	24	80	120,0	65,1	80,0	9,70	PHP 26XH200RSB		
		191,01	27	1F	188,21	212	24	80	120,0	65,1	80,0	9,90	PHP 27XH200RSB		
		198,09	28	1F	195,29	212	24	80	120,0	65,1	80,0	10,00	PHP 28XH200RSB		
		212,23	30	1F	209,43	226	24	80	120,0	65,1	80,0	10,40	PHP 30XH200RSB		
		226,38	32	1F	223,58	240	24	80	120,0	65,1	80,0	11,20	PHP 32XH200RSB		
		240,53	34	1F	237,73	256	24	80	120,0	65,1	80,0	12,60	PHP 34XH200RSB		
		268,83	38	5	266,03	–	28	100	150,0	65,1	80,0	14,60	PHP 38XH200RSB		
		282,98	40	5	280,18	–	28	100	150,0	65,1	100,0	16,00	PHP 40XH200RSB		
		339,57	48	5	336,77	–	28	100	150,0	65,1	100,0	18,40	PHP 48XH200RSB		
		424,47	60	5	421,67	–	28	100	150,0	65,1	100,0	24,30	PHP 60XH200RSB		
		XH	76,2	127,34	18	1F	124,54	141	28	67	100,0	92,1	110,0	6,80	PHP 18XH300RSB
				134,41	19	1F	131,61	146	28	67	100,0	92,1	110,0	7,10	PHP 19XH300RSB
				141,49	20	1F	138,69	155	28	67	100,0	92,1	110,0	7,40	PHP 20XH300RSB
				148,56	21	1F	145,76	169	28	73	110,0	92,1	110,0	8,20	PHP 21XH300RSB
155,64	22			1F	152,84	169	28	73	110,0	92,1	110,0	9,00	PHP 22XH300RSB		
169,79	24			1F	166,99	183	28	80	120,0	92,1	110,0	10,60	PHP 24XH300RSB		
176,86	25			1F	174,06	198	28	80	120,0	92,1	110,0	11,80	PHP 25XH300RSB		
183,93	26			1F	181,13	198	28	80	120,0	92,1	110,0	12,00	PHP 26XH300RSB		
191,01	27			1F	188,21	212	28	80	120,0	92,1	110,0	12,50	PHP 27XH300RSB		
198,09	28			1F	195,29	212	28	80	150,0	92,1	110,0	13,00	PHP 28XH300RSB		
212,23	30			1F	209,43	226	28	80	150,0	92,1	110,0	13,75	PHP 30XH300RSB		
226,38	32			1F	223,58	240	28	80	150,0	92,1	110,0	14,70	PHP 32XH300RSB		
240,53	34			1F	237,73	256	28	80	150,0	92,1	110,0	16,30	PHP 34XH300RSB		
268,83	38			5	266,03	–	32	100	150,0	92,1	120,0	18,30	PHP 38XH300RSB		
282,98	40			5	280,18	–	32	100	150,0	92,1	120,0	19,90	PHP 40XH300RSB		
339,57	48	5	336,77	–	32	100	175,0	92,1	120,0	22,50	PHP 48XH300RSB				
424,47	60	5	421,67	–	32	100	175,0	92,1	120,0	31,50	PHP 60XH300RSB				
XH	101,6	127,34	18	1F	124,54	141	32	67	100,0	119,0	132,0	8,50	PHP 18XH400RSB		
		134,41	19	1F	131,61	146	32	67	100,0	119,0	132,0	9,00	PHP 19XH400RSB		
		141,49	20	1F	138,69	155	32	67	100,0	119,0	132,0	9,40	PHP 20XH400RSB		
		148,56	21	1F	145,76	169	32	73	110,0	119,0	132,0	10,50	PHP 21XH400RSB		
		155,64	22	1F	152,84	169	32	73	110,0	119,0	132,0	11,50	PHP 22XH400RSB		
		169,79	24	1F	166,99	183	32	80	120,0	119,0	132,0	13,40	PHP 24XH400RSB		
		176,86	25	1F	174,06	198	32	80	120,0	119,0	132,0	14,50	PHP 25XH400RSB		
		183,93	26	1F	181,13	198	32	80	120,0	119,0	132,0	15,60	PHP 26XH400RSB		
		191,01	27	1F	188,21	212	32	80	120,0	119,0	132,0	15,10	PHP 27XH400RSB		
		198,09	28	1F	195,29	212	32	100	150,0	119,0	132,0	14,50	PHP 28XH400RSB		
		212,23	30	1F	209,43	227	32	100	150,0	119,0	132,0	16,00	PHP 30XH400RSB		
		226,38	32	1F	223,58	240	32	100	150,0	119,0	132,0	18,00	PHP 32XH400RSB		
		240,53	34	1F	237,73	256	32	100	150,0	119,0	132,0	20,00	PHP 34XH400RSB		
		268,83	38	5	266,03	–	32	100	150,0	119,0	132,0	22,00	PHP 38XH400RSB		
		282,98	40	5	280,18	–	32	100	150,0	119,0	132,0	24,00	PHP 40XH400RSB		
339,57	48	5	336,77	–	32	110	175,0	119,0	132,0	30,80	PHP 48XH400RSB				
424,47	60	5	421,67	–	32	110	175,0	119,0	132,0	36,20	PHP 60XH400RSB				

Classical timing pulleys

L Taper bushed

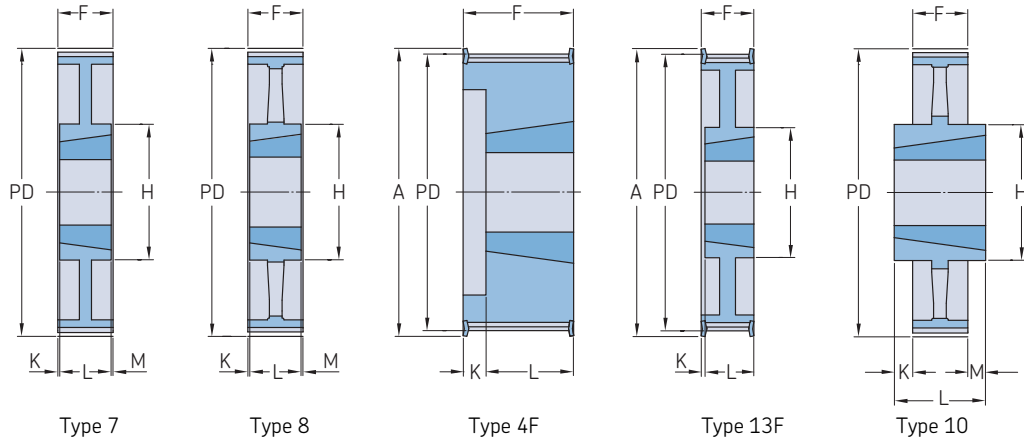


Section	Belt width	Pitch diameter	Number of teeth	Pulley type	Bushing number	Dimensions								Mass*	Designation		
						Outer diameter OD	A	B Min.	Max.	F	K	L	M			H	
		PD															
		mm														kg	
L	12,7	54,57	18	3F	1108	53,81	60	9	28	19,1	-	22	3,0	45	0,18	PHP 18L050TB	
		57,61	19	3F	1108	56,85	63	9	28	19,1	-	22	3,0	45	0,21	PHP 19L050TB	
		60,64	20	3F	1108	59,88	66	9	28	19,1	-	22	3,0	47	0,24	PHP 20L050TB	
		63,67	21	3F	1108	62,91	69	9	28	19,1	-	22	3,0	49	0,30	PHP 21L050TB	
		66,70	22	3F	1108	65,94	72	9	28	19,1	-	22	3,0	53	0,36	PHP 22L050TB	
		69,73	23	3F	1108	68,97	78	9	28	19,1	-	22	3,0	54	0,39	PHP 23L050TB	
		72,77	24	3F	1108	72,01	78	9	28	19,1	-	22	3,0	54	0,42	PHP 24L050TB	
		75,80	25	3F	1108	75,04	85	9	28	19,1	-	22	3,0	56	0,49	PHP 25L050TB	
		78,83	26	3F	1108	78,07	85	9	28	19,1	-	22	3,0	60	0,54	PHP 26L050TB	
		81,86	27	3F	1108	81,10	91	9	28	19,1	-	22	3,0	62	0,61	PHP 27L050TB	
		84,89	28	3F	1108	84,13	91	9	28	19,1	-	22	3,0	63	0,64	PHP 28L050TB	
		90,06	30	3F	1108	89,30	97	9	28	19,1	-	22	3,0	70	0,77	PHP 30L050TB	
	97,02	32	3F	1108	96,26	103	9	28	19,1	-	22	3,0	74	0,89	PHP 32L050TB		
	109,15	36	3F	1108	108,39	115	9	28	19,1	-	22	3,0	85	1,18	PHP 36L050TB		
	121,28	40	3F	1610	120,52	127	14	42	19,1	-	25	6,0	90	1,35	PHP 40L050TB		
	133,40	44	3F	1610	132,64	139	14	42	19,1	-	25	6,0	90	1,60	PHP 44L050TB		
	145,53	48	9F	1610	144,77	152	14	42	19,1	-	25	6,0	92	1,80	PHP 48L050TB		
	181,91	60	9	1610	181,15	-	14	42	19,1	3,0	25	3,0	92	2,46	PHP 60L050TB		
	218,30	72	9	1610	217,54	-	14	42	19,1	3,0	25	3,0	92	3,29	PHP 72L050TB		
	254,68	84	9	1610	253,92	-	14	42	19,1	3,0	25	3,0	92	4,12	PHP 84L050TB		
	291,06	96	9	2012	290,30	-	14	50	19,1	6,5	32	6,5	111	4,55	PHP 96L050TB		
	363,83	120	9	2012	363,07	-	14	50	19,1	6,5	32	6,5	111	5,71	PHP 120L050TB		
	L	19,1	54,57	18	2F	1108	53,81	60	9	28	25,4	-	25	-	-	0,20	PHP 18L075TB
			57,61	19	2F	1108	56,85	63	9	28	25,4	-	25	-	-	0,30	PHP 19L075TB
60,64			20	2F	1108	59,88	66	9	28	25,4	-	25	-	-	0,30	PHP 20L075TB	
63,67			21	2F	1108	62,91	69	9	28	25,4	-	25	-	-	0,40	PHP 21L075TB	
66,70			22	2F	1108	65,94	72	9	28	25,4	-	25	-	-	0,40	PHP 22L075TB	
69,73			23	2F	1108	68,97	78	9	28	25,4	-	25	-	-	0,50	PHP 23L075TB	
72,77			24	2F	1108	72,01	78	9	28	25,4	-	25	-	-	0,50	PHP 24L075TB	
75,80			25	2F	1108	75,04	85	9	28	25,4	-	25	-	-	0,60	PHP 25L075TB	
78,83			26	2F	1108	78,07	85	9	28	25,4	-	25	-	-	0,70	PHP 26L075TB	
81,86			27	2F	1108	81,10	91	9	28	25,4	-	25	-	-	0,70	PHP 27L075TB	
84,89			28	2F	1108	84,13	91	9	28	25,4	-	25	-	-	0,80	PHP 28L075TB	
90,06			30	2F	1108	90,20	97	9	28	25,4	-	25	-	-	1,00	PHP 30L075TB	
97,02		32	2F	1108	96,26	103	9	28	25,4	-	25	-	-	1,10	PHP 32L075TB		
109,15		36	2F	1610	108,39	115	14	42	25,4	-	25	-	-	1,20	PHP 36L075TB		
121,28		40	2F	1610	120,52	127	14	42	25,4	-	25	-	-	1,60	PHP 40L075TB		
133,40		44	2F	1610	132,64	139	14	42	25,4	-	25	-	-	1,90	PHP 44L075TB		
145,53		48	7F	1610	144,77	152	14	42	25,4	-	25	-	92	2,20	PHP 48L075TB		
181,91		60	7	1610	181,15	-	14	42	25,4	-	25	-	92	3,00	PHP 60L075TB		
218,30		72	8	1610	217,54	-	14	42	25,4	-	25	-	92	4,00	PHP 72L075TB		
254,68		84	9	2012	253,92	-	14	50	25,4	3,5	32	3,5	106	5,20	PHP 84L075TB		
291,06		96	9	2012	290,30	-	14	50	25,4	3,5	32	3,5	106	6,50	PHP 96L075TB		
363,83		120	9	2012	363,07	-	14	50	25,4	3,5	32	3,5	106	7,60	PHP 120L075TB		
L		25,4	54,57	18	4F	1108	53,81	60	9	28	31,8	10,0	22	-	-	0,27	PHP 18L100TB
			57,61	19	4F	1108	56,85	63	9	28	31,8	10,0	22	-	-	0,30	PHP 19L100TB
	60,64		20	4F	1108	59,88	66	9	28	31,8	10,0	22	-	-	0,36	PHP 20L100TB	
	63,67		21	4F	1108	62,91	69	9	28	31,8	10,0	22	-	-	0,44	PHP 21L100TB	
	66,70		22	4F	1108	65,94	72	9	28	31,8	10,0	22	-	-	0,51	PHP 22L100TB	
	69,73		23	4F	1108	68,97	78	9	28	31,8	10,0	22	-	-	0,54	PHP 23L100TB	
	72,77	24	4F	1108	72,01	78	9	28	31,8	10,0	22	-	-	0,58	PHP 24L100TB		
	75,80	25	4F	1108	75,04	85	9	28	31,8	10,0	22	-	-	0,67	PHP 25L100TB		
	78,83	26	4F	1108	78,07	85	9	28	31,8	10,0	22	-	-	0,72	PHP 26L100TB		

* Mass does not include bushings.

Classical timing pulleys

L Taper bushed | H Taper bushed

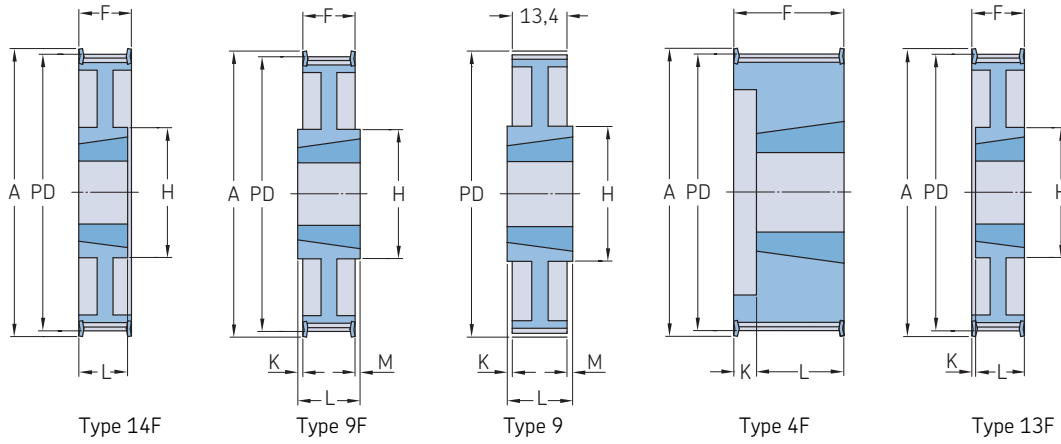


Section	Belt width	Pitch diameter	Number of teeth	Pulley type	Bushing number	Dimensions								Mass*	Designation		
						Outer diameter OD	A	B Min.	Max.	F	K	L	M			H	
		PD															
		mm														kg	
L	25,4	81,86	27	4F	1108	81,10	91	9	28	31,8	10,0	22	-	-	0,80	PHP 27L100TB	
		84,89	28	4F	1108	84,13	91	9	28	31,8	10,0	22	-	-	0,83	PHP 28L100TB	
		90,96	30	4F	1210	90,20	97	11	32	31,8	7,0	25	-	-	0,94	PHP 30L100TB	
		97,02	32	4F	1210	96,26	103	11	32	31,8	7,0	25	-	-	1,10	PHP 32L100TB	
		109,15	36	4F	1610	108,39	115	14	42	31,8	7,0	25	-	-	1,33	PHP 36L100TB	
		121,28	40	4F	1610	120,52	127	14	42	31,8	7,0	25	-	-	1,70	PHP 40L100TB	
		133,40	44	4F	1610	132,64	139	14	42	31,8	7,0	25	-	-	2,30	PHP 44L100TB	
		145,53	48	13F	1610	144,77	152	14	42	31,8	7,0	25	-	92	2,60	PHP 48L100TB	
		181,91	60	7	1610	181,15	-	14	42	31,8	3,5	25	3,5	92	3,76	PHP 60L100TB	
		218,30	72	10	2012	217,54	-	14	50	31,8	-	32	-	111	4,40	PHP 72L100TB	
		254,68	84	10	2012	253,92	-	14	50	31,8	-	32	-	111	5,87	PHP 84L100TB	
		291,06	96	10	2012	290,30	-	14	50	31,8	-	32	-	111	7,26	PHP 96L100TB	
		363,83	120	10	2012	363,07	-	14	50	31,8	-	32	-	111	8,50	PHP 120L100TB	
		H	19,1	56,60	14	2F	1108	55,23	62	9	28	27,0	-	22	-	0,48	PHP 14H075TB
				60,64	15	2F	1108	59,27	67	9	28	27,0	-	22	-	0,53	PHP 15H075TB
				64,67	16	2F	1108	63,30	71	9	28	27,0	-	22	-	0,57	PHP 16H075TB
				68,72	17	2F	1108	67,35	75	9	28	27,0	-	22	-	0,67	PHP 17H075TB
				72,77	18	2F	1210	71,40	79	11	32	27,0	-	25	-	0,76	PHP 18H075TB
76,81	19			2F	1210	75,44	83	11	32	27,0	-	25	-	0,95	PHP 19H075TB		
80,85	20			2F	1210	79,48	87	11	32	27,0	-	25	-	1,05	PHP 20H075TB		
84,89	21			2F	1210	83,52	91	11	32	27,0	-	25	-	1,14	PHP 21H075TB		
88,94	22			2F	1210	87,57	95	11	32	27,0	-	25	-	1,33	PHP 22H075TB		
92,98	23			2F	1610	91,61	98	14	42	27,0	-	25	-	1,43	PHP 23H075TB		
97,02	24			2F	1610	95,65	103	14	42	27,0	-	25	-	1,52	PHP 24H075TB		
101,06	25			2F	1610	99,69	107	14	42	27,0	-	25	-	1,62	PHP 25H075TB		
105,11	26			2F	1610	103,74	111	14	42	27,0	-	25	-	1,71	PHP 26H075TB		
109,15	27			2F	1610	107,78	115	14	42	27,0	-	25	-	1,81	PHP 27H075TB		
113,19	28			2F	1610	111,82	119	14	42	27,0	-	25	-	1,90	PHP 28H075TB		
117,23	29			2F	1610	115,86	123	14	42	27,0	-	25	-	1,95	PHP 29H075TB		
121,28	30			2F	1610	119,91	127	14	42	27,0	-	25	-	2,00	PHP 30H075TB		

* Mass does not include bushings.

Classical timing pulleys

H Taper bushed

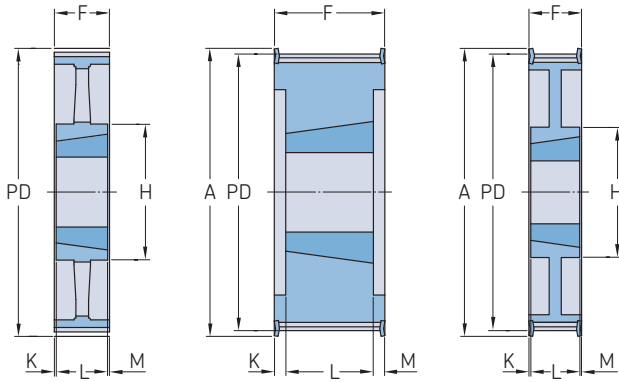


Section	Belt width	Pitch diameter	Number of teeth	Pulley type	Bushing number	Dimensions		B	Max.	F	K	L	M	H	Mass*	Designation	
						Outer diameter OD	A										
		PD															
		mm														kg	
H	19,1	129,36	32	14F	1610	127,99	135	14	42	27,0	-	25	-	92	2,09	PHP 32H075TB	
		133,40	33	14F	1610	132,03	142	14	42	27,0	-	25	-	92	2,14	PHP 33H075TB	
		137,45	34	14F	1610	136,08	142	14	42	27,0	-	25	-	92	2,19	PHP 34H075TB	
		141,49	35	14F	1610	140,12	151	14	42	27,0	-	25	-	92	2,24	PHP 35H075TB	
		145,53	36	14F	1610	144,16	151	14	42	27,0	-	25	-	92	2,28	PHP 36H075TB	
		153,62	38	14F	1610	152,25	158	14	42	27,0	-	25	-	92	2,47	PHP 38H075TB	
	161,70	40	14F	1610	160,33	168	14	42	27,0	-	25	-	92	2,66	PHP 40H075TB		
	177,87	44	9F	2012	176,50	184	14	50	27,0	2,5	32	2,5	106	2,57	PHP 44H075TB		
	194,04	48	9F	2012	192,67	200	14	50	27,0	2,5	32	2,5	106	2,85	PHP 48H075TB		
	242,55	60	9	2012	241,18	-	14	50	27,0	2,5	32	2,5	106	2,90	PHP 60H075TB		
	291,06	72	9	2012	289,69	-	14	50	27,0	2,5	32	2,5	112	3,00	PHP 72H075TB		
	339,57	84	9	2012	338,20	-	14	50	27,0	2,5	32	2,5	112	3,15	PHP 84H075TB		
	388,08	96	9	2517	386,71	-	16	60	27,0	9,0	45	9,0	125	3,50	PHP 96H075TB		
	485,10	120	9	2517	483,73	-	16	60	27,0	9,0	45	9,0	125	4,25	PHP 120H075TB		
	H	25,4	56,60	14	4F	1108	55,23	63	9	28	31,0	9,0	22	-	-	0,30	PHP 14H100TB
			60,60	15	4F	1108	59,23	67	9	28	31,0	9,0	22	-	-	0,40	PHP 15H100TB
			64,70	16	4F	1108	63,33	71	9	28	31,0	9,0	22	-	-	0,40	PHP 16H100TB
			68,70	17	4F	1108	67,33	75	9	28	31,0	9,0	22	-	-	0,50	PHP 17H100TB
			72,80	18	4F	1210	71,43	79	11	32	31,0	6,0	25	-	-	0,50	PHP 18H100TB
			76,80	19	4F	1210	75,43	83	11	32	31,0	6,0	25	-	-	0,60	PHP 19H100TB
80,80			20	4F	1210	79,43	87	11	32	31,0	6,0	25	-	-	0,80	PHP 20H100TB	
84,90			21	4F	1210	83,53	91	11	32	32,0	7,0	25	-	-	0,80	PHP 21H100TB	
88,90		22	4F	1210	87,53	95	11	32	32,0	7,0	25	-	-	0,90	PHP 22H100TB		
93,00		23	4F	1610	91,63	98	14	42	32,0	7,0	25	-	-	0,90	PHP 23H100TB		
97,00		24	4F	1610	95,63	103	14	42	32,0	7,0	25	-	-	1,00	PHP 24H100TB		
101,10		25	4F	1610	99,73	107	14	42	32,0	7,0	25	-	-	1,10	PHP 25H100TB		
105,10		26	4F	1610	103,73	111	14	42	32,0	7,0	25	-	-	1,20	PHP 26H100TB		
109,20		27	4F	1610	107,83	115	14	42	32,0	7,0	25	-	-	1,40	PHP 27H100TB		
113,20		28	4F	1610	111,83	119	14	42	32,0	7,0	25	-	-	1,50	PHP 28H100TB		
121,30		30	4F	1610	119,93	127	14	42	32,0	7,0	25	-	-	1,70	PHP 30H100TB		
129,40		32	13F	1610	128,03	135	14	42	32,0	7,0	25	-	-	92	1,70	PHP 32H100TB	
145,50		36	13F	1610	144,13	151	14	42	32,0	7,0	25	-	-	92	2,30	PHP 36H100TB	
161,70		40	13F	1610	160,33	168	14	42	32,0	7,0	25	-	-	92	2,70	PHP 40H100TB	
177,90		44	14F	2012	176,53	184	14	50	32,0	7,0	32	-	-	106	3,70	PHP 44H100TB	
194,00	48	14F	2012	192,63	200	14	50	32,0	7,0	32	-	-	106	4,70	PHP 48H100TB		
242,60	60	8	2012	241,23	-	14	50	34,0	1,0	32	1,0	106	7,50	PHP 60H100TB			
291,10	72	8	2012	289,73	-	14	50	34,0	1,0	32	1,0	106	8,40	PHP 72H100TB			
339,60	84	8	2012	338,23	-	14	50	34,0	1,0	32	1,0	106	9,00	PHP 84H100TB			
388,10	96	9	2517	386,73	-	16	60	34,0	5,5	45	5,5	124	11,00	PHP 96H100TB			
485,10	120	9	2517	483,73	-	16	60	34,0	5,5	45	5,5	124	14,00	PHP 120H100TB			
H	38,1	56,60	14	4F	1108	55,23	63	9	28	45,0	23,0	22	-	-	0,50	PHP 14H150TB	
		64,67	16	4F	1108	63,30	71	9	28	45,0	23,0	22	-	-	0,60	PHP 16H150TB	
		72,77	18	4F	1210	71,40	79	11	32	45,0	20,0	25	-	-	0,69	PHP 18H150TB	
		76,81	19	4F	1210	75,44	83	11	32	45,0	20,0	25	-	-	0,86	PHP 19H150TB	
		80,85	20	4F	1210	79,48	87	11	32	45,0	20,0	25	-	-	0,98	PHP 20H150TB	
		84,89	21	4F	1210	83,52	91	11	32	45,0	20,0	25	-	-	0,98	PHP 21H150TB	
	88,94	22	4F	1210	87,57	95	11	32	45,0	20,0	25	-	-	1,10	PHP 22H150TB		
	92,98	23	4F	1610	91,61	98	14	42	45,0	20,0	25	-	-	1,16	PHP 23H150TB		
	97,02	24	4F	1610	95,65	103	14	42	45,0	20,0	25	-	-	1,22	PHP 24H150TB		
	101,06	25	4F	1610	99,69	107	14	42	45,0	20,0	25	-	-	1,37	PHP 25H150TB		
	105,11	26	4F	1610	103,74	111	14	42	45,0	20,0	25	-	-	1,51	PHP 26H150TB		
	109,15	27	4F	1610	107,78	115	14	42	45,0	20,0	25	-	-	1,67	PHP 27H150TB		
	113,19	28	4F	1610	111,82	119	14	42	45,0	20,0	25	-	-	1,77	PHP 28H150TB		

* Mass does not include bushings.

Classical timing pulleys

H Taper bushed



Type 8

Type 6F

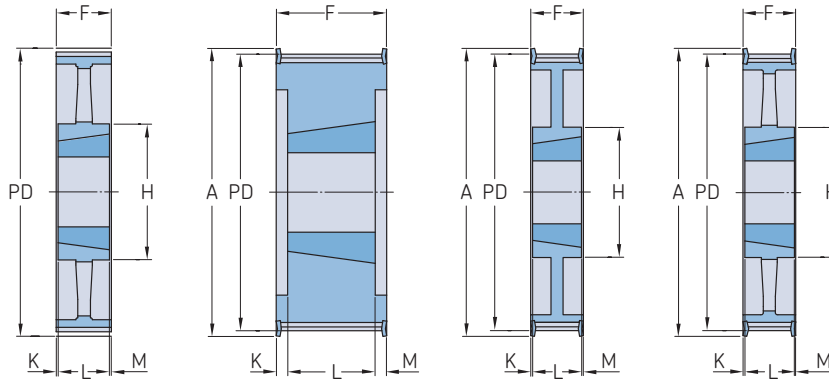
Type 7F

Section	Belt width	Pitch diameter	Number of teeth	Pulley type	Bushing number	Dimensions									Mass*	Designation		
						Outer diameter OD	A	B		F	K	L	M	H				
		PD				mm		Min.	Max.						kg			
H	38,1	121,28	30	4F	1610	119,91	127	14	42	45,0	20,0	25	–	–	2,05	PHP 30H150TB		
		129,36	32	13F	1610	127,99	135	14	42	45,0	20,0	25	–	92	2,07	PHP 32H150TB		
		145,53	36	13F	1610	144,16	151	14	42	45,0	20,0	25	–	92	2,76	PHP 36H150TB		
		161,70	40	13F	1610	160,33	168	14	42	45,0	20,0	25	–	92	3,34	PHP 40H150TB		
		177,87	44	13F	2012	176,50	184	14	50	45,0	13,0	32	–	106	5,19	PHP 44H150TB		
		194,34	48	13F	2012	192,97	200	14	50	45,0	13,0	32	–	106	5,70	PHP 48H150TB		
		242,55	60	8	2012	241,18	–	14	50	46,0	7,0	32	7,0	106	6,81	PHP 60H150TB		
		291,06	72	8	2012	289,69	–	14	50	46,0	7,0	32	7,0	106	7,79	PHP 72H150TB		
		339,57	84	8	2012	338,20	–	14	50	46,0	7,0	32	7,0	111	9,15	PHP 84H150TB		
		388,08	96	8	2517	386,71	–	16	60	46,0	0,5	45	0,5	124	13,00	PHP 96H150TB		
		485,10	120	8	2517	483,73	–	16	60	46,0	0,5	45	0,5	124	16,80	PHP 120H150TB		
		H	50,8	64,57	16	4F	1108	63,20	71	9	28	58,0	36,0	22	–	–	0,80	PHP 16H200TB
				72,77	18	4F	1210	71,40	79	11	32	58,0	33,0	25	–	–	0,91	PHP 18H200TB
				76,81	19	4F	1210	75,44	83	11	32	58,0	33,0	25	–	–	1,05	PHP 19H200TB
				80,85	20	4F	1610	79,48	87	14	42	58,0	33,0	25	–	–	0,92	PHP 20H200TB
84,89	21			4F	1610	83,52	91	14	42	58,0	33,0	25	–	–	1,04	PHP 21H200TB		
88,94	22			4F	1610	87,57	95	14	42	58,0	33,0	25	–	–	1,18	PHP 22H200TB		
92,98	23			4F	1610	91,61	98	14	42	58,0	33,0	25	–	–	1,28	PHP 23H200TB		
97,02	24			4F	1610	95,65	103	14	42	58,0	33,0	25	–	–	1,37	PHP 24H200TB		
101,06	25			4F	1610	99,69	107	14	42	58,0	33,0	25	–	–	1,59	PHP 25H200TB		
105,11	26			4F	1610	103,74	111	14	42	58,0	33,0	25	–	–	1,63	PHP 26H200TB		
109,15	27			4F	1610	107,78	115	14	42	58,0	33,0	25	–	–	1,98	PHP 27H200TB		
113,19	28			4F	1610	111,82	119	14	42	58,0	33,0	25	–	–	1,92	PHP 28H200TB		
121,28	30			4F	1610	119,91	127	14	42	58,0	33,0	25	–	–	2,24	PHP 30H200TB		
129,36	32			4F	2012	127,99	135	14	50	58,0	26,0	32	–	–	2,87	PHP 32H200TB		
145,53	36			13F	2012	144,16	151	14	50	58,0	26,0	32	–	–	3,42	PHP 36H200TB		
H	76,2	161,70	40	13F	2012	160,33	168	14	50	58,0	26,0	32	–	–	4,39	PHP 40H200TB		
		177,87	44	13F	2012	176,50	184	14	50	58,0	26,0	32	–	–	5,89	PHP 44H200TB		
		194,04	48	13F	2517	192,67	200	16	60	58,0	13,0	45	–	–	7,00	PHP 48H200TB		
		242,55	60	8	2517	241,18	–	16	60	60,0	7,5	45	7,5	–	8,88	PHP 60H200TB		
		291,06	72	8	2517	289,69	–	16	60	60,0	7,5	45	7,5	–	9,05	PHP 72H200TB		
		339,57	84	8	2517	338,20	–	16	60	60,0	7,5	45	7,5	–	10,66	PHP 84H200TB		
		388,08	96	8	2517	386,71	–	16	60	60,0	7,5	45	7,5	–	15,28	PHP 96H200TB		
		485,10	120	8	2517	483,73	–	16	60	60,0	7,5	45	7,5	–	20,16	PHP 120H200TB		
		H	76,2	72,77	18	6F	1215	71,40	83	11	32	84,0	23,0	38	23,0	–	1,10	PHP 18H300TB
				80,85	20	6F	1615	79,48	87	14	42	84,0	23,0	38	23,0	–	1,25	PHP 20H300TB
				84,89	21	6F	1615	83,52	91	14	42	84,0	23,0	38	23,0	–	1,56	PHP 21H300TB
				88,94	22	6F	1615	87,57	94	14	42	84,0	23,0	38	23,0	–	1,75	PHP 22H300TB
				92,98	23	6F	1615	91,61	98	14	42	84,0	23,0	38	23,0	–	1,93	PHP 23H300TB
				97,02	24	6F	1615	95,65	103	14	42	84,0	23,0	38	23,0	–	2,14	PHP 24H300TB
				101,06	25	6F	1615	99,69	107	14	42	84,0	23,0	38	23,0	–	2,21	PHP 25H300TB
105,11	26			6F	1615	103,74	111	14	42	84,0	23,0	38	23,0	–	2,65	PHP 26H300TB		
109,15	27			6F	2012	107,78	115	14	50	84,0	26,0	32	26,0	–	2,49	PHP 27H300TB		
113,19	28			6F	2012	111,82	119	14	50	84,0	26,0	32	26,0	–	2,88	PHP 28H300TB		
121,28	30			6F	2012	119,91	127	14	50	84,0	26,0	32	26,0	–	3,44	PHP 30H300TB		
129,36	32			6F	2517	127,99	135	16	60	84,0	19,5	45	19,5	–	3,51	PHP 32H300TB		
145,53	36			6F	2517	144,16	151	16	60	84,0	19,5	45	19,5	–	4,43	PHP 36H300TB		
161,70	40			6F	2517	160,33	168	16	60	84,0	19,5	45	19,5	–	6,10	PHP 40H300TB		
177,87	44			7F	2517	176,50	184	16	60	86,0	20,5	45	20,5	124	7,55	PHP 44H300TB		
194,04	48	7F	2517	192,67	200	16	60	86,0	20,5	45	20,5	124	8,99	PHP 48H300TB				
242,55	60	8	2517	241,18	–	16	60	86,0	20,5	45	20,5	124	11,06	PHP 60H300TB				
291,06	72	8	2517	289,69	–	16	60	86,0	20,5	45	20,5	124	12,66	PHP 72H300TB				
339,57	84	8	2517	338,20	–	16	60	86,0	20,5	45	20,5	124	14,50	PHP 84H300TB				

* Mass does not include bushings.

Classical timing pulleys

H Taper bushed | XH Taper bushed



Type 8

Type 6F

Type 7F

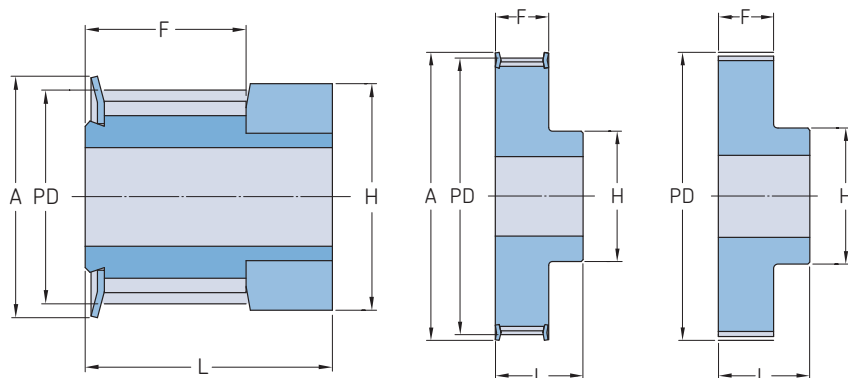
Type 8F

Section	Belt width	Pitch diameter	Number of teeth	Pulley type	Bushing number	Dimensions					Mass*	Designation						
						Outer diameter OD	A	B Min.	Max.	F			K	L	M	H		
		PD																
		mm														kg		
H	76,2	388,08	96	8	3030	386,71	-	35	75	86,0	5,0	76	5,0	155	16,20	PHP 96H300TB		
		485,10	120	8	3030	483,73	-	35	75	86,0	5,0	76	5,0	155	20,80	PHP 120H300TB		
XH	50,8	127,34	18	6F	2012	124,54	141	14	50	65,1	-	32	-	-	2,60	PHP 18XH200TB		
		134,41	19	6F	2012	131,61	146	14	50	65,1	-	32	-	-	3,10	PHP 19XH200TB		
		141,49	20	6F	2012	138,69	155	14	50	65,1	-	32	-	-	3,60	PHP 20XH200TB		
		148,56	21	6F	2517	145,76	169	16	60	65,1	-	45	-	-	4,20	PHP 21XH200TB		
		155,64	22	6F	2517	152,84	169	16	60	65,1	-	45	-	-	4,80	PHP 22XH200TB		
		169,79	24	6F	2517	166,99	183	16	60	65,1	-	45	-	-	6,10	PHP 24XH200TB		
		176,86	25	6F	2517	174,06	198	16	60	65,1	-	45	-	-	6,80	PHP 25XH200TB		
		183,93	26	6F	2517	181,13	198	16	60	65,1	-	45	-	-	7,40	PHP 26XH200TB		
		191,01	27	7F	2517	188,21	212	16	60	65,1	-	45	-	134	8,20	PHP 27XH200TB		
		198,09	28	7F	2517	195,29	212	16	60	65,1	-	45	-	134	9,00	PHP 28XH200TB		
		212,23	30	7F	2517	209,43	226	16	60	65,1	-	45	-	134	9,60	PHP 30XH200TB		
		226,38	32	7F	2517	223,58	240	16	60	65,1	-	45	-	134	9,80	PHP 32XH200TB		
		254,64	36	8F	2517	251,84	267	16	60	65,1	-	45	-	134	11,60	PHP 36XH200TB		
		282,98	40	8	2517	280,18	-	16	60	65,1	-	45	-	134	13,30	PHP 40XH200TB		
		339,57	48	8	3020	336,77	-	25	75	65,1	-	51	-	165	19,00	PHP 48XH200TB		
		424,47	60	8	3020	421,67	-	25	75	65,1	-	51	-	165	22,00	PHP 60XH200TB		
		XH	76,2	127,34	18	6F	2012	124,54	141	14	50	92,1	-	45	-	-	3,70	PHP 18XH300TB
				134,41	19	6F	2517	131,61	146	16	60	92,1	-	45	-	-	4,20	PHP 19XH300TB
141,49	20			6F	2517	138,69	155	16	60	92,1	-	45	-	-	4,70	PHP 20XH300TB		
148,56	21			6F	2517	145,76	169	16	60	92,1	-	45	-	-	5,40	PHP 21XH300TB		
155,64	22			6F	2517	152,84	169	16	60	92,1	-	45	-	-	6,00	PHP 22XH300TB		
169,79	24			6F	2517	166,99	183	16	60	92,1	-	45	-	-	7,60	PHP 24XH300TB		
176,86	25			6F	2517	174,06	198	16	60	92,1	-	45	-	-	8,70	PHP 25XH300TB		
183,93	26			6F	2517	181,13	198	16	60	92,1	-	45	-	-	9,80	PHP 26XH300TB		
191,01	27			6F	2517	188,21	212	16	60	92,1	-	45	-	-	10,70	PHP 27XH300TB		
198,09	28			7F	2517	195,29	212	16	60	92,1	-	45	-	134	11,60	PHP 28XH300TB		
212,23	30			7F	2517	209,43	226	16	60	92,1	-	45	-	134	11,90	PHP 30XH300TB		
226,38	32			7F	3020	223,58	240	25	75	92,1	-	51	-	165	13,80	PHP 32XH300TB		
254,64	36			7F	3020	251,84	267	25	75	92,1	-	51	-	165	16,70	PHP 36XH300TB		
282,98	40			8	3020	280,18	-	25	75	92,1	-	51	-	165	19,50	PHP 40XH300TB		
339,57	48			8	3020	336,77	-	25	75	92,1	-	51	-	165	27,00	PHP 48XH300TB		
424,47	60			8	3535	421,67	-	35	90	92,1	-	89	-	184	28,00	PHP 60XH300TB		
XH	101,6			127,34	18	6F	2012	124,54	141	16	60	92,1	-	45	-	-	5,00	PHP 18XH400TB
				134,41	19	6F	2517	131,61	146	16	60	92,1	-	45	-	-	5,50	PHP 19XH400TB
		141,49	20	6F	2517	138,69	155	16	60	92,1	-	45	-	-	6,00	PHP 20XH400TB		
		148,56	21	6F	2517	145,76	169	16	60	92,1	-	45	-	-	6,60	PHP 21XH400TB		
		155,64	22	6F	2517	152,84	169	16	60	92,1	-	45	-	-	7,20	PHP 22XH400TB		
		169,79	24	6F	3020	166,99	183	25	75	92,1	-	51	-	-	8,40	PHP 24XH400TB		
		176,86	25	6F	3020	174,06	198	25	75	92,1	-	51	-	-	9,40	PHP 25XH400TB		
		183,93	26	6F	3020	181,13	198	25	75	92,1	-	51	-	-	10,30	PHP 26XH400TB		
		191,01	27	6F	3020	188,21	212	25	75	92,1	-	51	-	-	11,30	PHP 27XH400TB		
		198,09	28	6F	3020	195,29	212	25	75	92,1	-	51	-	-	12,30	PHP 28XH400TB		
		212,23	30	6F	3020	209,43	226	25	75	92,1	-	51	-	-	14,30	PHP 30XH400TB		
		226,38	32	7F	3020	223,58	240	25	75	92,1	-	51	-	165	19,90	PHP 32XH400TB		
		254,64	36	7F	3020	251,84	267	25	75	92,1	-	51	-	165	22,30	PHP 36XH400TB		
		282,98	40	8	3020	280,18	-	25	75	92,1	-	51	-	165	24,60	PHP 40XH400TB		
		339,57	48	8	3535	336,77	-	35	90	92,1	-	89	-	184	30,00	PHP 48XH400TB		
		424,47	60	8	3535	421,67	-	35	90	92,1	-	89	-	184	40,00	PHP 60XH400TB		

* Mass does not include bushings.

Metric timing pulleys

2,5 mm pitch type T pilot bore (RSB)



Type OF

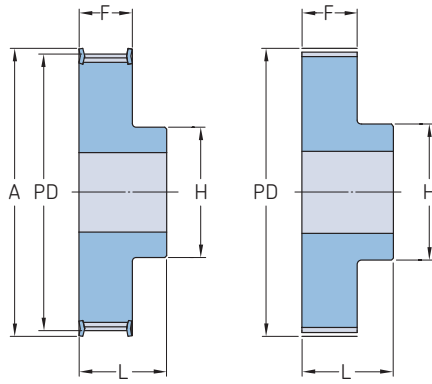
Type 1F

Type 1

Pitch	Belt width	Pitch diameter PD	Number of teeth	Pulley type	Dimensions Outer diameter OD	Dimensions			H	F	L	Mass	Designation
						A	B Min.	Max.					
-	mm	-	-	-	mm	-	-	-	-	-	kg	-	
2,5	4 and 6	7,96	10	OF	7,45	10	-	3	10	10	16	0,001	PHP 16-T2.5-10RSB
		8,75	11	OF	8,25	12	-	3	11	10	16	0,002	PHP 16-T2.5-11RSB
		9,54	12	OF	9,00	13	-	4	13	10	16	0,003	PHP 16-T2.5-12RSB
		10,35	13	OF	9,95	14	-	4	14	10	16	0,004	PHP 16-T2.5-13RSB
		11,14	14	OF	10,60	15	-	5	15	10	16	0,004	PHP 16-T2.5-14RSB
		11,94	15	OF	11,40	15	-	6	15	10	16	0,010	PHP 16-T2.5-15RSB
		12,73	16	OF	12,20	16	-	7	16	10	16	0,005	PHP 16-T2.5-16RSB
		13,53	17	OF	13,00	17	4	7	16	10	16	0,006	PHP 16-T2.5-17RSB
		14,32	18	1F	13,80	18	4	7	10	10	16	0,006	PHP 16-T2.5-18RSB
		15,12	19	1F	14,60	18	4	7	10	10	16	0,007	PHP 16-T2.5-19RSB
		15,92	20	1F	15,40	20	4	7	11	10	16	0,008	PHP 16-T2.5-20RSB
		16,71	21	1F	16,20	20	4	7	11	10	16	0,009	PHP 16-T2.5-21RSB
	17,51	22	1F	17,00	23	4	7	10	10	16	0,009	PHP 16-T2.5-22RSB	
	18,30	23	1F	17,80	23	4	8	12	10	16	0,010	PHP 16-T2.5-23RSB	
	19,10	24	1F	18,55	23	4	8	12	10	16	0,012	PHP 16-T2.5-24RSB	
	19,89	25	1F	19,35	23	4	9	13	10	16	0,013	PHP 16-T2.5-25RSB	
	20,69	26	1F	20,15	25	4	9	14	10	16	0,014	PHP 16-T2.5-26RSB	
	21,49	27	1F	20,90	25	4	9	14	10	16	0,015	PHP 16-T2.5-27RSB	
	22,28	28	1F	21,75	25	4	9	14	10	16	0,016	PHP 16-T2.5-28RSB	
	23,87	30	1F	23,35	28	6	10	16	10	16	0,018	PHP 16-T2.5-30RSB	
	25,46	32	1F	24,95	32	6	10	16	10	16	0,020	PHP 16-T2.5-32RSB	
	27,85	35	1F	27,35	36	6	10	18	10	16	0,024	PHP 16-T2.5-35RSB	
	28,65	36	1F	28,10	36	6	13	20	10	16	0,026	PHP 16-T2.5-36RSB	
	30,24	38	1F	31,70	38	6	13	22	10	16	0,029	PHP 16-T2.5-38RSB	
	31,83	40	1F	31,30	38	6	13	22	10	16	0,032	PHP 16-T2.5-40RSB	
	33,42	42	1F	32,90	42	6	15	24	10	16	0,036	PHP 16-T2.5-42RSB	
	35,01	44	1	34,50	-	6	15	24	10	16	0,040	PHP 16-T2.5-44RSB	
	35,81	45	1	35,30	-	6	17	26	10	16	0,044	PHP 16-T2.5-45RSB	
	38,20	48	1	37,70	-	6	17	26	10	16	0,048	PHP 16-T2.5-48RSB	
	42,97	54	1	42,45	-	8	19	30	10	16	0,056	PHP 16-T2.5-54RSB	
45,36	57	1	44,85	-	8	19	32	10	16	0,064	PHP 16-T2.5-57RSB		
47,75	60	1	47,25	-	8	22	34	10	16	0,073	PHP 16-T2.5-60RSB		
2,5	10	7,96	10	OF	7,45	10	3	3	10	14	20	0,010	PHP 20-T2.5-10RSB
		8,75	11	OF	8,25	12	3	3	11	14	20	0,010	PHP 20-T2.5-11RSB
		9,55	12	OF	9,00	13	3	4	13	14	20	0,020	PHP 20-T2.5-12RSB
		10,35	13	OF	9,95	14	3	4	14	14	20	0,020	PHP 20-T2.5-13RSB
		11,14	14	OF	10,60	14	3	5	15	14	20	0,020	PHP 20-T2.5-14RSB
		11,94	15	OF	11,40	15	3	6	15	14	20	0,020	PHP 20-T2.5-15RSB
		12,73	16	OF	12,20	16	4	7	16	14	20	0,030	PHP 20-T2.5-16RSB
		13,53	17	1F	13,00	17	4	7	16	14	20	0,020	PHP 20-T2.5-17RSB
		14,32	18	1F	13,80	17	4	7	10	14	20	0,030	PHP 20-T2.5-18RSB
		15,12	19	1F	14,60	18	4	7	10	14	20	0,040	PHP 20-T2.5-19RSB
		15,92	20	1F	15,40	19	4	7	11	14	20	0,040	PHP 20-T2.5-20RSB
		16,71	21	1F	16,20	20	4	7	11	14	20	0,040	PHP 20-T2.5-21RSB
	17,60	22	1F	17,00	22	4	7	11	14	20	0,050	PHP 20-T2.5-22RSB	
	18,30	23	1F	17,80	22	4	8	12	14	20	0,050	PHP 20-T2.5-23RSB	
	19,10	24	1F	18,55	22	4	8	12	14	20	0,050	PHP 20-T2.5-24RSB	
	19,89	25	1F	19,35	24	4	9	13	14	20	0,060	PHP 20-T2.5-25RSB	
	20,75	26	1F	20,15	26	4	9	14	14	20	0,060	PHP 20-T2.5-26RSB	
	21,49	27	1F	20,90	26	4	9	14	14	20	0,060	PHP 20-T2.5-27RSB	
	22,35	28	1F	21,75	26	4	9	14	14	20	0,070	PHP 20-T2.5-28RSB	
	23,87	30	1F	23,35	28	6	10	16	14	20	0,080	PHP 20-T2.5-30RSB	
	25,47	32	1F	24,95	28	6	10	16	14	20	0,090	PHP 20-T2.5-32RSB	

Metric timing pulleys

2,5 mm pitch type T pilot bore (RSB) | 5 mm pitch type T pilot bore (RSB)



Type 1F

Type 1

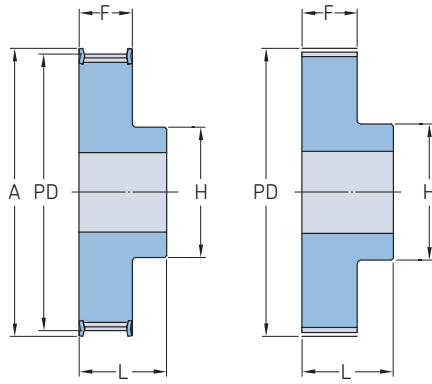
Pitch	Belt width	Pitch diameter PD	Number of teeth	Pulley type	Dimensions						Mass	Designation		
					Outer diameter OD	A	B Min.	Max.	H	F			L	
-	mm	-	-	-	mm	-	-	-	-	-	kg	-		
2,5	10	27,85	35	1F	27,35	32	6	10	18	14	20	0,110	PHP 20-T2.5-35RSB	
		28,65	36	1F	28,10	32	6	13	20	14	20	0,110	PHP 20-T2.5-36RSB	
		30,24	38	1F	39,70	34	6	13	22	14	20	0,130	PHP 20-T2.5-38RSB	
		31,83	40	1F	31,30	35	6	13	22	14	20	0,140	PHP 20-T2.5-40RSB	
		33,42	42	1F	32,90	-	6	15	24	14	20	0,180	PHP 20-T2.5-42RSB	
		35,01	44	1	34,50	-	6	15	24	14	20	0,190	PHP 20-T2.5-44RSB	
		35,81	45	1	35,30	-	6	17	26	14	20	0,190	PHP 20-T2.5-45RSB	
		38,20	48	1	37,70	-	6	17	26	14	20	0,200	PHP 20-T2.5-48RSB	
	5	10	42,97	54	1	42,45	-	8	19	30	14	20	0,250	PHP 20-T2.5-54RSB
			45,36	57	1	44,85	-	8	19	32	14	20	0,280	PHP 20-T2.5-57RSB
			47,75	60	1	47,25	-	8	22	34	14	20	0,310	PHP 20-T2.5-60RSB
			15,92	10	1F	15,05	20	4	5	8	15	21	0,010	PHP 21-T5-10RSB
			17,51	11	1F	16,65	22	4	6	10	15	21	0,010	PHP 21-T5-11RSB
			19,10	12	1F	18,25	23	4	7	12	15	21	0,020	PHP 21-T5-12RSB
			20,69	13	1F	19,85	25	6	8	13	15	21	0,020	PHP 21-T5-13RSB
			22,29	14	1F	21,45	26	6	9	14	15	21	0,020	PHP 21-T5-14RSB
5	10	23,88	15	1F	23,05	28	6	10	16	15	21	0,020	PHP 21-T5-15RSB	
		25,47	16	1F	24,60	30	6	11	18	15	21	0,030	PHP 21-T5-16RSB	
		27,06	17	1F	26,20	32	6	12	19	15	21	0,030	PHP 21-T5-17RSB	
		28,65	18	1F	27,80	32	6	13	20	15	21	0,030	PHP 21-T5-18RSB	
		30,25	19	1F	29,40	36	6	14	22	15	21	0,040	PHP 21-T5-19RSB	
		31,83	20	1F	31,00	36	6	15	24	15	21	0,040	PHP 21-T5-20RSB	
		33,42	21	1F	32,55	38	6	15	24	15	21	0,040	PHP 21-T5-21RSB	
		35,01	22	1F	34,15	38	6	15	24	15	21	0,050	PHP 21-T5-22RSB	
		36,61	23	1F	35,75	42	6	16	25	15	21	0,050	PHP 21-T5-23RSB	
		38,21	24	1F	37,40	44	6	17	26	15	21	0,050	PHP 21-T5-24RSB	
		39,80	25	1F	38,95	44	6	17	26	15	21	0,060	PHP 21-T5-25RSB	
		41,45	26	1F	40,60	44	6	17	26	15	21	0,060	PHP 21-T5-26RSB	
		42,98	27	1F	42,20	48	8	19	30	15	21	0,060	PHP 21-T5-27RSB	
		44,56	28	1F	43,75	48	8	20	32	15	21	0,060	PHP 21-T5-28RSB	
		47,76	30	1F	46,95	51	8	22	34	15	21	0,080	PHP 21-T5-30RSB	
		50,94	32	1F	50,10	54	8	24	38	15	21	0,090	PHP 21-T5-32RSB	
55,70	35	1F	54,85	59	8	24	38	15	21	0,100	PHP 21-T5-35RSB			
57,31	36	1F	56,45	63	8	24	38	15	21	0,110	PHP 21-T5-36RSB			
60,48	38	1F	59,65	66	8	26	40	15	21	0,130	PHP 21-T5-38RSB			
63,66	40	1F	62,85	66	8	26	40	15	21	0,140	PHP 21-T5-40RSB			
66,84	42	1F	66,00	71	8	26	40	15	21	0,180	PHP 21-T5-42RSB			
70,20	44	1	69,35	-	8	29	45	15	21	0,190	PHP 21-T5-44RSB			
71,62	45	1	70,80	-	8	31	45	15	21	0,190	PHP 21-T5-45RSB			
76,39	48	1	75,55	-	8	32	50	15	21	0,200	PHP 21-T5-48RSB			
85,94	54	1	85,10	-	8	35	55	15	21	0,240	PHP 21-T5-54RSB			
90,72	57	1	89,90	-	8	38	60	15	21	0,270	PHP 21-T5-57RSB			
95,49	60	1	94,65	-	8	42	65	15	21	0,310	PHP 21-T5-60RSB			
5	16	15,92	10	1F	15,05	20	4	5	8	21	27	0,020	PHP 27-T5-10RSB	
		17,51	11	1F	16,65	22	4	6	10	21	27	0,020	PHP 27-T5-11RSB	
		19,10	12	1F	18,25	23	4	7	12	21	27	0,020	PHP 27-T5-12RSB	
		20,69	13	1F	19,85	25	6	8	13	21	27	0,020	PHP 27-T5-13RSB	
		22,29	14	1F	21,45	26	6	9	14	21	27	0,030	PHP 27-T5-14RSB	
		23,88	15	1F	23,05	28	6	10	16	21	27	0,030	PHP 27-T5-15RSB	
		25,47	16	1F	24,60	32	6	11	18	21	27	0,040	PHP 27-T5-16RSB	
		27,06	17	1F	26,20	32	6	12	19	21	27	0,040	PHP 27-T5-17RSB	
	28,65	18	1F	27,80	33	6	13	20	21	27	0,050	PHP 27-T5-18RSB		
	30,25	19	1F	29,40	36	6	14	22	21	27	0,050	PHP 27-T5-19RSB		

Metric timing pulleys

5 mm pitch type T pilot bore (RSB) | 10 mm pitch type T pilot bore (RSB)

Pitch	Belt width	Pitch diameter	Number of teeth	Pulley type	Dimensions						Mass	Designation			
					Outer diameter OD	A	B Min.	Max.	H	F			L		
-	mm	PD	-	-	mm						kg	-			
5	16	31,83	20	1F	31,00	36	6	15	24	21	27	0,050	PHP 27-T5-20RSB		
		33,42	21	1F	32,55	38	6	15	24	21	27	0,050	PHP 27-T5-21RSB		
		35,01	22	1F	34,15	38	6	15	24	21	27	0,050	PHP 27-T5-22RSB		
		36,61	23	1F	35,75	42	6	16	25	21	27	0,060	PHP 27-T5-23RSB		
		38,21	24	1F	37,40	42	6	17	26	21	27	0,080	PHP 27-T5-24RSB		
		39,80	25	1F	38,95	44	6	17	26	21	27	0,080	PHP 27-T5-25RSB		
		41,45	26	1F	40,60	44	6	17	26	21	27	0,090	PHP 27-T5-26RSB		
		42,98	27	1F	42,20	48	8	19	30	21	27	0,090	PHP 27-T5-27RSB		
		44,56	28	1F	43,75	48	8	20	32	21	27	0,090	PHP 27-T5-28RSB		
		47,76	30	1F	46,95	51	8	22	34	21	27	0,110	PHP 27-T5-30RSB		
		50,94	32	1F	50,10	54	8	24	38	21	27	0,120	PHP 27-T5-32RSB		
		55,70	35	1F	54,85	59	8	24	38	21	27	0,140	PHP 27-T5-35RSB		
		57,31	36	1F	56,45	63	8	24	38	21	27	0,160	PHP 27-T5-36RSB		
		60,48	38	1F	59,65	66	8	26	40	21	27	0,180	PHP 27-T5-38RSB		
		63,66	40	1F	62,85	66	8	26	40	21	27	0,190	PHP 27-T5-40RSB		
		66,84	42	1F	66,00	71	8	26	40	21	27	0,210	PHP 27-T5-42RSB		
		70,20	44	1	69,35	-	8	29	45	21	27	0,230	PHP 27-T5-44RSB		
		71,62	45	1	70,80	-	8	29	45	21	27	0,260	PHP 27-T5-45RSB		
		76,39	48	1	75,55	-	8	32	50	21	27	0,280	PHP 27-T5-48RSB		
		85,94	54	1	85,10	-	8	35	55	21	27	0,330	PHP 27-T5-54RSB		
		90,72	57	1	89,90	-	8	38	60	21	27	0,380	PHP 27-T5-57RSB		
		95,49	60	1	94,65	-	8	42	65	21	27	0,430	PHP 27-T5-60RSB		
		5	25	15,92	10	1F	15,05	20	4	5	8	30	36	0,020	PHP 36-T5-10RSB
				17,51	11	1F	16,65	22	4	6	10	30	36	0,030	PHP 36-T5-11RSB
				19,10	12	1F	18,25	23	4	7	12	30	36	0,030	PHP 36-T5-12RSB
				20,69	13	1F	19,85	25	6	8	13	30	36	0,030	PHP 36-T5-13RSB
				22,29	14	1F	21,45	26	6	9	14	30	36	0,040	PHP 36-T5-14RSB
				23,88	15	1F	23,05	28	6	10	16	30	36	0,040	PHP 36-T5-15RSB
				25,47	16	1F	24,60	32	6	11	18	30	36	0,050	PHP 36-T5-16RSB
				27,06	17	1F	26,20	32	6	12	19	30	36	0,060	PHP 36-T5-17RSB
				28,65	18	1F	27,80	32	6	13	20	30	36	0,060	PHP 36-T5-18RSB
				30,25	19	1F	29,40	36	6	14	22	30	36	0,070	PHP 36-T5-19RSB
31,83	20			1F	31,00	36	6	15	24	30	36	0,080	PHP 36-T5-20RSB		
33,42	21			1F	32,55	38	6	15	24	30	36	0,080	PHP 36-T5-21RSB		
35,01	22			1F	34,15	38	6	15	24	30	36	0,080	PHP 36-T5-22RSB		
36,61	23			1F	35,75	42	6	15	25	30	36	0,090	PHP 36-T5-23RSB		
38,21	24			1F	37,40	42	6	17	26	30	36	0,110	PHP 36-T5-24RSB		
39,80	25			1F	38,95	44	6	17	26	30	36	0,120	PHP 36-T5-25RSB		
41,45	26			1F	40,60	44	6	17	26	30	36	0,120	PHP 36-T5-26RSB		
42,98	27			1F	42,20	48	8	19	30	30	36	0,130	PHP 36-T5-27RSB		
44,56	28			1F	43,75	48	8	20	32	30	36	0,130	PHP 36-T5-28RSB		
47,76	30			1F	46,95	51	8	22	34	30	36	0,150	PHP 36-T5-30RSB		
50,94	32			1F	50,10	54	8	24	38	30	36	0,180	PHP 36-T5-32RSB		
55,70	35			1F	54,85	59	8	24	38	30	36	0,210	PHP 36-T5-35RSB		
57,31	36			1F	56,45	63	8	24	38	30	36	0,230	PHP 36-T5-36RSB		
60,48	38			1F	59,65	66	8	26	40	30	36	0,250	PHP 36-T5-38RSB		
63,66	40			1F	62,85	66	8	26	40	30	36	0,280	PHP 36-T5-40RSB		
66,84	42			1F	66,00	71	8	26	40	30	36	0,280	PHP 36-T5-42RSB		
70,20	44			1	69,35	-	8	29	45	30	36	0,320	PHP 36-T5-44RSB		
71,62	45			1	70,80	-	8	29	45	30	36	0,360	PHP 36-T5-45RSB		
76,39	48			1	75,55	-	8	32	50	30	36	0,400	PHP 36-T5-48RSB		
85,94	54			1	85,10	-	8	35	55	30	36	0,470	PHP 36-T5-54RSB		
90,72	57			1	89,90	-	8	38	60	30	36	0,540	PHP 36-T5-57RSB		
95,49	60			1	94,65	-	8	42	65	30	36	0,610	PHP 36-T5-60RSB		
10	16	38,20	12	1F	36,35	42	6	18	28	21	31	0,080	PHP 31-T10-12RSB		
		41,38	13	1F	39,55	44	6	19	32	21	31	0,090	PHP 31-T10-13RSB		
		44,56	14	1F	42,70	48	8	21	32	21	31	0,100	PHP 31-T10-14RSB		
		47,75	15	1F	45,90	51	8	21	32	21	31	0,120	PHP 31-T10-15RSB		
		50,93	16	1F	49,10	54	8	23	35	21	31	0,130	PHP 31-T10-16RSB		
		54,11	17	1F	52,25	58	8	24	38	21	31	0,150	PHP 31-T10-17RSB		
		57,29	18	1F	55,45	60	8	26	40	21	31	0,170	PHP 31-T10-18RSB		
		60,48	19	1F	58,65	66	8	28	44	21	31	0,180	PHP 31-T10-19RSB		
		63,66	20	1F	61,80	66	8	30	46	21	31	0,210	PHP 31-T10-20RSB		
		66,85	21	1F	65,00	71	8	36	48	21	31	0,230	PHP 31-T10-21RSB		
		70,03	22	1F	68,20	75	8	34	52	21	31	0,250	PHP 31-T10-22RSB		
		73,21	23	1F	71,35	77	8	36	55	21	31	0,270	PHP 31-T10-23RSB		
		76,39	24	1F	74,55	83	8	38	58	21	31	0,290	PHP 31-T10-24RSB		
		79,58	25	1F	77,75	83	8	39	60	21	31	0,310	PHP 31-T10-25RSB		
		82,76	26	1F	80,90	87	8	39	60	21	31	0,360	PHP 31-T10-26RSB		
		85,95	27	1F	84,10	91	8	39	60	21	31	0,360	PHP 31-T10-27RSB		
		89,25	28	1F	87,25	93	8	39	60	21	31	0,400	PHP 31-T10-28RSB		
		95,49	30	1F	93,65	99	8	39	60	21	31	0,440	PHP 31-T10-30RSB		
		101,86	32	1F	100,00	106	10	42	65	21	31	0,490	PHP 31-T10-32RSB		

Metric timing pulleys
10 mm pitch type T pilot bore (RSB)



Type 1F

Type 1

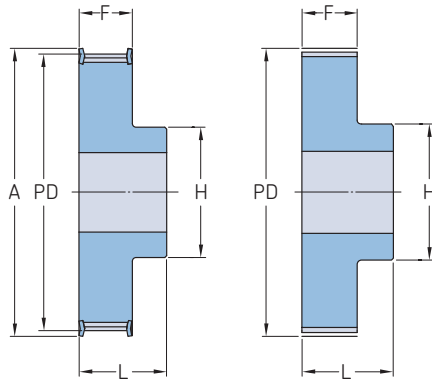
Pitch	Belt width	Pitch diameter PD	Number of teeth	Pulley type	Dimensions						Mass	Designation			
					Outer diameter OD	A	B Min.	Max.	H	F			L		
–	mm	–	–	–	mm	–	–	–	–	–	kg	–			
10	16	111,41	35	1F	109,55	115	10	45	70	21	31	0,560	PHP 31-T10-35RSB		
		114,59	36	1F	112,75	119	10	45	70	21	31	0,620	PHP 31-T10-36RSB		
		120,96	38	1F	119,10	125	10	48	75	21	31	0,690	PHP 31-T10-38RSB		
		127,32	40	1F	125,45	131	10	52	80	21	31	0,770	PHP 31-T10-40RSB		
		133,69	42	1	131,85	–	10	52	80	21	31	0,880	PHP 31-T10-42RSB		
		140,06	44	1	138,20	–	10	57	88	21	31	0,990	PHP 31-T10-44RSB		
		143,24	45	1	141,40	–	16	57	90	21	31	1,040	PHP 31-T10-45RSB		
		152,78	48	1	150,95	–	16	62	95	21	31	1,090	PHP 31-T10-48RSB		
		171,89	54	1	170,05	–	16	66	100	21	31	1,300	PHP 31-T10-54RSB		
		181,44	57	1	179,60	–	16	66	110	21	31	1,500	PHP 31-T10-57RSB		
		190,98	60	1	189,15	–	16	72	110	21	31	1,710	PHP 31-T10-60RSB		
		10	25	38,20	12	1F	36,35	42	6	18	28	30	40	0,100	PHP 40-T10-12RSB
				41,38	13	1F	39,55	44	6	19	30	30	40	0,120	PHP 40-T10-13RSB
				44,56	14	1F	42,70	48	8	21	32	30	40	0,130	PHP 40-T10-14RSB
				47,75	15	1F	45,90	51	8	21	32	30	40	0,150	PHP 40-T10-15RSB
				50,93	16	1F	49,10	54	8	23	35	30	40	0,180	PHP 40-T10-16RSB
54,11	17			1F	52,25	58	8	24	37	30	40	0,200	PHP 40-T10-17RSB		
57,29	18			1F	55,45	60	8	26	40	30	40	0,220	PHP 40-T10-18RSB		
60,48	19			1F	58,65	66	8	28	44	30	40	0,250	PHP 40-T10-19RSB		
63,66	20			1F	61,80	66	8	30	46	30	40	0,280	PHP 40-T10-20RSB		
66,85	21			1F	65,00	71	8	32	49	30	40	0,300	PHP 40-T10-21RSB		
70,03	22			1F	68,20	75	8	34	52	30	40	0,340	PHP 40-T10-22RSB		
73,21	23			1F	71,35	77	8	36	55	30	40	0,360	PHP 40-T10-23RSB		
76,39	24			1F	74,55	83	8	38	58	30	40	0,390	PHP 40-T10-24RSB		
79,58	25			1F	77,75	83	8	39	60	30	40	0,420	PHP 40-T10-25RSB		
82,76	26			1F	80,90	87	8	39	60	30	40	0,480	PHP 40-T10-26RSB		
85,95	27			1F	84,10	91	8	39	60	30	40	0,540	PHP 40-T10-27RSB		
89,25	28			1F	87,25	93	8	39	60	30	40	0,540	PHP 40-T10-28RSB		
95,49	30			1F	93,65	99	8	39	60	30	40	0,640	PHP 40-T10-30RSB		
101,86	32			1F	100,00	106	10	42	65	30	40	0,690	PHP 40-T10-32RSB		
111,41	35			1F	109,55	115	10	45	70	30	40	0,780	PHP 40-T10-35RSB		
114,59	36			1F	112,75	119	10	45	70	30	40	0,870	PHP 40-T10-36RSB		
120,96	38			1F	119,10	125	10	48	75	30	40	0,970	PHP 40-T10-38RSB		
127,32	40			1F	125,45	131	10	52	80	30	40	1,070	PHP 40-T10-40RSB		
133,69	42			1	131,85	–	10	52	80	30	40	1,210	PHP 40-T10-42RSB		
140,06	44			1	138,20	–	10	57	88	30	40	1,350	PHP 40-T10-44RSB		
143,24	45			1	141,40	–	16	59	90	30	40	1,430	PHP 40-T10-45RSB		
152,78	48			1	150,95	–	16	62	95	30	40	1,520	PHP 40-T10-48RSB		
171,89	54			1	170,05	–	16	65	100	30	40	1,790	PHP 40-T10-54RSB		
181,44	57			1	179,60	–	16	72	110	30	40	2,060	PHP 40-T10-57RSB		
190,98	60			1	189,15	–	16	72	110	30	40	2,340	PHP 40-T10-60RSB		
10	32			57,30	18	1F	55,45	60	10	26	40	37	47	0,250	PHP 47-T10-18RSB
				60,48	19	1F	58,65	66	10	28	44	37	47	0,290	PHP 47-T10-19RSB
		63,66	20	1F	61,80	66	12	30	46	37	47	0,320	PHP 47-T10-20RSB		
		66,85	21	1F	65,00	71	12	32	49	37	47	0,360	PHP 47-T10-21RSB		
		70,03	22	1F	68,20	75	12	34	52	37	47	0,390	PHP 47-T10-22RSB		
		73,21	23	1F	71,35	77	12	36	55	37	47	0,430	PHP 47-T10-23RSB		
		76,39	24	1F	74,55	83	12	38	58	37	47	0,480	PHP 47-T10-24RSB		
		79,58	25	1F	77,75	83	12	39	60	37	47	0,530	PHP 47-T10-25RSB		
		82,76	26	1F	80,90	87	12	39	60	37	47	0,560	PHP 47-T10-26RSB		
		85,94	27	1F	84,10	91	12	39	60	37	47	0,600	PHP 47-T10-27RSB		
		89,13	28	1F	87,25	93	12	39	60	37	47	0,640	PHP 47-T10-28RSB		
		95,49	30	1F	93,65	99	12	39	60	37	47	0,740	PHP 47-T10-30RSB		

Metric timing pulleys

10 mm pitch type T pilot bore (RSB)

Pitch	Belt width	Pitch diameter	Number of teeth	Pulley type	Dimensions						Mass	Designation		
					Outer diameter OD	A	B Min.	Max.	H	F			L	
–	mm	PD	–	–	mm	–	–	–	–	–	kg	–		
10	32	101,86	32	1F	100,00	106	12	42	65	37	47	0,840	PHP 47-T10-32RSB	
		111,41	35	1F	109,55	115	16	45	70	37	47	0,960	PHP 47-T10-35RSB	
		114,59	36	1F	112,75	119	16	45	70	37	47	1,080	PHP 47-T10-36RSB	
		120,96	38	1F	119,10	125	16	48	75	37	47	1,200	PHP 47-T10-38RSB	
		127,32	40	1F	125,45	131	16	52	80	37	47	1,320	PHP 47-T10-40RSB	
		133,69	42	1	131,85	–	16	52	80	37	47	1,460	PHP 47-T10-42RSB	
		140,06	44	1	138,20	–	16	57	88	37	47	1,610	PHP 47-T10-44RSB	
		143,24	45	1	141,40	–	16	58	90	37	47	1,770	PHP 47-T10-45RSB	
	152,79	48	1	150,95	–	16	62	95	37	47	1,930	PHP 47-T10-48RSB		
	171,89	54	1	170,05	–	16	65	100	37	47	2,290	PHP 47-T10-54RSB		
	181,44	57	1	179,60	–	16	72	110	37	47	2,650	PHP 47-T10-57RSB		
	190,99	60	1	189,15	–	16	72	110	37	47	3,000	PHP 47-T10-60RSB		
	10	50	57,30	18	1F	55,45	60	10	26	40	56	66	0,420	PHP 66-T10-18RSB
			60,48	19	1F	58,65	66	10	28	44	56	66	0,470	PHP 66-T10-19RSB
			63,66	20	1F	61,80	66	12	30	46	56	66	0,520	PHP 66-T10-20RSB
			66,85	21	1F	65,00	71	12	32	49	56	66	0,550	PHP 66-T10-21RSB
70,03			22	1F	68,20	75	12	34	52	56	66	0,570	PHP 66-T10-22RSB	
73,21			23	1F	71,35	77	12	36	55	56	66	0,650	PHP 66-T10-23RSB	
76,39			24	1F	74,55	83	12	38	58	56	66	0,740	PHP 66-T10-24RSB	
79,58			25	1F	77,75	83	12	39	60	56	66	0,770	PHP 66-T10-25RSB	
82,76			26	1F	80,90	87	12	39	60	56	66	0,820	PHP 66-T10-26RSB	
85,94			27	1F	84,10	91	12	39	60	56	66	0,950	PHP 66-T10-27RSB	
89,13			28	1F	87,25	93	12	39	60	56	66	0,960	PHP 66-T10-28RSB	
95,49			30	1F	93,65	99	12	39	60	56	66	1,170	PHP 66-T10-30RSB	
101,86		32	1F	100,00	106	12	42	65	56	66	1,300	PHP 66-T10-32RSB		
111,41		35	1F	109,55	115	16	45	70	56	66	1,470	PHP 66-T10-35RSB		
114,59		36	1F	112,75	119	16	45	70	56	66	1,640	PHP 66-T10-36RSB		
120,96		38	1F	119,10	125	16	48	75	56	66	1,820	PHP 66-T10-38RSB		
127,32		40	1F	125,45	131	16	52	80	56	66	2,000	PHP 66-T10-40RSB		
133,69		42	1	131,85	–	16	57	80	56	66	2,180	PHP 66-T10-42RSB		
140,06		44	1	138,20	–	16	52	88	56	66	2,360	PHP 66-T10-44RSB		
143,24		45	1	141,40	–	16	58	90	56	66	2,590	PHP 66-T10-45RSB		
152,79	48	1	150,95	–	16	62	95	56	66	2,830	PHP 66-T10-48RSB			
171,89	54	1	170,05	–	16	65	100	56	66	3,340	PHP 66-T10-54RSB			
181,44	57	1	179,60	–	16	72	110	56	66	3,850	PHP 66-T10-57RSB			
190,99	60	1	189,15	–	16	72	110	56	66	4,370	PHP 66-T10-60RSB			

Metric timing pulleys
5 mm pitch type AT pilot bore (RSB)



Type 1F

Type 1

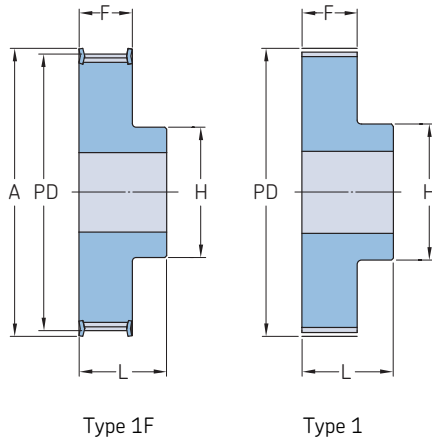
Pitch	Belt width	Pitch diameter PD	Number of teeth	Pulley type	Dimensions							Mass	Designation
					Outer diameter OD	A	B Min.	Max.	H	F	L		
mm			-	-	mm							kg	-
5	10	15,92	10	1F	14,65	20	4	5	8	15	21	0,01	PHP 21-AT5-10RSB
		19,10	12	1F	17,85	23	4	7	12	15	21	0,02	PHP 21-AT5-12RSB
		20,69	13	1F	19,45	25	6	8	13	15	21	0,02	PHP 21-AT5-13RSB
		22,29	14	1F	21,05	26	6	9	14	15	21	0,02	PHP 21-AT5-14RSB
		23,88	15	1F	22,65	28	6	10	16	15	21	0,02	PHP 21-AT5-15RSB
		25,47	16	1F	24,20	32	6	11	18	15	21	0,03	PHP 21-AT5-16RSB
		27,06	17	1F	25,80	32	6	12	19	15	21	0,03	PHP 21-AT5-17RSB
		28,65	18	1F	27,40	32	6	13	20	15	21	0,03	PHP 21-AT5-18RSB
		30,25	19	1F	29,00	36	6	14	22	15	21	0,04	PHP 21-AT5-19RSB
		31,83	20	1F	30,60	36	6	15	23	15	21	0,04	PHP 21-AT5-20RSB
		33,42	21	1F	32,20	38	6	15	24	15	21	0,04	PHP 21-AT5-21RSB
		35,02	22	1F	33,85	38	6	15	24	15	21	0,05	PHP 21-AT5-22RSB
		36,61	23	1F	35,40	42	6	17	25	15	21	0,05	PHP 21-AT5-23RSB
		38,21	24	1F	37,00	44	6	17	26	15	21	0,05	PHP 21-AT5-24RSB
	39,80	25	1F	38,60	44	6	17	26	15	21	0,06	PHP 21-AT5-25RSB	
	41,38	26	1F	40,20	44	6	17	26	15	21	0,06	PHP 21-AT5-26RSB	
	42,98	27	1F	41,80	48	8	19	30	15	21	0,06	PHP 21-AT5-27RSB	
	44,56	28	1F	43,35	48	8	20	32	15	21	0,07	PHP 21-AT5-28RSB	
	47,76	30	1F	46,55	51	8	22	34	15	21	0,08	PHP 21-AT5-30RSB	
	50,94	32	1F	49,70	54	8	24	38	15	21	0,09	PHP 21-AT5-32RSB	
	57,31	36	1F	56,05	63	8	24	38	15	21	0,11	PHP 21-AT5-36RSB	
	60,48	38	1F	59,25	66	8	26	40	15	21	0,13	PHP 21-AT5-38RSB	
	63,66	40	1F	62,45	66	8	26	40	15	21	0,14	PHP 21-AT5-40RSB	
	66,74	42	1F	65,60	71	8	26	40	15	21	0,18	PHP 21-AT5-42RSB	
	70,05	44	1	68,80	-	8	29	45	15	21	0,19	PHP 21-AT5-44RSB	
	71,62	45	1	70,35	-	8	29	45	15	21	0,19	PHP 21-AT5-45RSB	
	76,42	48	1	75,15	-	8	32	50	15	21	0,20	PHP 21-AT5-48RSB	
	95,52	60	1	94,25	-	8	37	65	15	21	0,31	PHP 21-AT5-60RSB	
114,62	72	1	113,15	-	10	42	80	15	21	0,41	PHP 21-AT5-72RSB		
5	16	15,92	10	1F	14,65	20	4	5	8	21	27	0,02	PHP 27-AT5-10RSB
		19,10	12	1F	17,85	23	4	7	12	21	27	0,02	PHP 27-AT5-12RSB
		20,69	13	1F	19,45	25	6	8	13	21	27	0,02	PHP 27-AT5-13RSB
		22,29	14	1F	21,05	26	6	9	14	21	27	0,03	PHP 27-AT5-14RSB
		23,88	15	1F	22,65	28	6	10	16	21	27	0,03	PHP 27-AT5-15RSB
		25,47	16	1F	24,20	32	6	11	18	21	27	0,04	PHP 27-AT5-16RSB
		27,06	17	1F	25,80	32	6	12	19	21	27	0,04	PHP 27-AT5-17RSB
		28,65	18	1F	27,40	32	6	13	20	21	27	0,04	PHP 27-AT5-18RSB
		30,25	19	1F	29,00	36	6	14	22	21	27	0,05	PHP 27-AT5-19RSB
		31,83	20	1F	30,60	36	6	15	23	21	27	0,05	PHP 27-AT5-20RSB
		33,42	21	1F	32,20	38	6	15	24	21	27	0,05	PHP 27-AT5-21RSB
		35,02	22	1F	33,85	38	6	15	24	21	27	0,05	PHP 27-AT5-22RSB
		36,61	23	1F	35,40	42	6	17	25	21	27	0,07	PHP 27-AT5-23RSB
		38,21	24	1F	37,00	44	6	17	26	21	27	0,08	PHP 27-AT5-24RSB
	39,80	25	1F	38,60	44	6	17	26	21	27	0,08	PHP 27-AT5-25RSB	
	41,38	26	1F	40,20	44	6	17	26	21	27	0,09	PHP 27-AT5-26RSB	
	42,98	27	1F	41,80	48	8	19	30	21	27	0,09	PHP 27-AT5-27RSB	
	44,56	28	1F	43,35	48	8	20	32	21	27	0,09	PHP 27-AT5-28RSB	
	47,76	30	1F	46,55	51	8	22	34	21	27	0,11	PHP 27-AT5-30RSB	
	50,94	32	1F	49,70	54	8	24	38	21	27	0,12	PHP 27-AT5-32RSB	
	57,31	36	1F	56,05	63	8	24	38	21	27	0,16	PHP 27-AT5-36RSB	
	60,48	38	1F	59,25	66	8	26	40	21	27	0,18	PHP 27-AT5-38RSB	
	63,66	40	1F	62,45	66	8	26	40	21	27	0,19	PHP 27-AT5-40RSB	
	66,74	42	1F	65,60	71	8	26	40	21	27	0,21	PHP 27-AT5-42RSB	
	70,05	44	1	68,80	-	8	29	45	21	27	0,23	PHP 27-AT5-44RSB	

Metric timing pulleys

5 mm pitch type AT pilot bore (RSB) | 10 mm pitch type AT pilot bore (RSB)

Pitch	Belt width	Pitch diameter	Number of teeth	Pulley type	Dimensions						Mass	Designation			
					Outer diameter OD	A	B Min.	Max.	H	F			L		
mm		PD	-	-	mm						kg	-			
5	16	71,62	45	1	70,35	-	8	29	45	21	27	0,26	PHP 27-AT5-45RSB		
		76,42	48	1	75,15	-	8	32	50	21	27	0,28	PHP 27-AT5-48RSB		
		95,52	60	1	94,25	-	8	37	65	21	27	0,43	PHP 27-AT5-60RSB		
		114,62	72	1	113,15	-	10	42	80	21	27	0,41	PHP 27-AT5-72RSB		
5	25	15,92	10	1F	14,65	20	4	5	8	30	36	0,02	PHP 36-AT5-10RSB		
		19,10	12	1F	17,85	23	6	7	12	30	36	0,03	PHP 36-AT5-12RSB		
		20,69	13	1F	19,45	25	6	8	13	30	36	0,03	PHP 36-AT5-13RSB		
		22,29	14	1F	21,05	26	6	9	14	30	36	0,04	PHP 36-AT5-14RSB		
		23,88	15	1F	22,65	28	6	10	16	30	36	0,04	PHP 36-AT5-15RSB		
		25,47	16	1F	24,20	32	6	11	18	30	36	0,05	PHP 36-AT5-16RSB		
		27,06	17	1F	25,80	32	6	12	19	30	36	0,06	PHP 36-AT5-17RSB		
		28,65	18	1F	27,40	32	6	13	20	30	36	0,06	PHP 36-AT5-18RSB		
		30,25	19	1F	29,00	36	6	14	22	30	36	0,07	PHP 36-AT5-19RSB		
		31,83	20	1F	30,60	36	6	15	23	30	36	0,08	PHP 36-AT5-20RSB		
		33,42	21	1F	32,20	38	6	15	24	30	36	0,08	PHP 36-AT5-21RSB		
		35,02	22	1F	33,85	38	6	15	24	30	36	0,08	PHP 36-AT5-22RSB		
		36,61	23	1F	35,40	42	6	16	25	30	36	0,09	PHP 36-AT5-23RSB		
		38,21	24	1F	37,00	44	8	17	26	30	36	0,11	PHP 36-AT5-24RSB		
		39,80	25	1F	38,60	44	8	17	26	30	36	0,12	PHP 36-AT5-25RSB		
		41,38	26	1F	40,20	44	8	17	26	30	36	0,12	PHP 36-AT5-26RSB		
		42,98	27	1F	41,80	48	8	19	30	30	36	0,13	PHP 36-AT5-27RSB		
		44,56	28	1F	43,35	48	8	20	32	30	36	0,13	PHP 36-AT5-28RSB		
		47,76	30	1F	46,55	51	8	22	34	30	36	0,15	PHP 36-AT5-30RSB		
		50,94	32	1F	49,70	54	8	24	38	30	36	0,18	PHP 36-AT5-32RSB		
		57,31	36	1F	56,05	63	8	24	38	30	36	0,23	PHP 36-AT5-36RSB		
		60,48	38	1F	59,25	66	8	26	40	30	36	0,25	PHP 36-AT5-38RSB		
		63,66	40	1F	62,45	66	8	26	40	30	36	0,28	PHP 36-AT5-40RSB		
		66,74	42	1F	65,60	71	8	26	40	30	36	0,28	PHP 36-AT5-42RSB		
		70,05	44	1	68,80	-	8	29	45	30	36	0,32	PHP 36-AT5-44RSB		
		71,62	45	1	70,35	-	8	30	45	30	36	0,36	PHP 36-AT5-45RSB		
		76,42	48	1	75,15	-	8	32	50	30	36	0,40	PHP 36-AT5-48RSB		
		95,52	60	1	94,25	-	8	37	65	30	36	0,61	PHP 36-AT5-60RSB		
		114,62	72	1	113,15	-	10	42	80	30	36	0,83	PHP 36-AT5-72RSB		
		10	16	38,20	12	1F	36,35	42	6	18	28	21	31	0,08	PHP 31-AT10-12RSB
				44,60	14	1F	42,70	48	8	21	32	21	31	0,10	PHP 31-AT10-14RSB
				47,75	15	1F	45,90	51	8	21	32	21	31	0,12	PHP 31-AT10-15RSB
50,93	16			1F	49,05	54	8	23	35	21	31	0,13	PHP 31-AT10-16RSB		
54,11	17			1F	52,25	58	8	24	38	21	31	0,15	PHP 31-AT10-17RSB		
57,29	18			1F	55,45	60	8	26	40	21	31	0,17	PHP 31-AT10-18RSB		
60,48	19			1F	58,65	66	8	28	44	21	31	0,19	PHP 31-AT10-19RSB		
63,66	20			1F	61,80	66	8	30	46	21	31	0,21	PHP 31-AT10-20RSB		
66,85	21			1F	65,00	71	8	32	48	21	31	0,23	PHP 31-AT10-21RSB		
70,03	22			1F	68,15	75	8	34	52	21	31	0,25	PHP 31-AT10-22RSB		
73,21	23			1F	71,35	77	8	36	55	21	31	0,27	PHP 31-AT10-23RSB		
76,39	24			1F	74,55	83	8	38	58	21	31	0,29	PHP 31-AT10-24RSB		
79,58	25			1F	77,75	83	8	39	60	21	31	0,31	PHP 31-AT10-25RSB		
82,76	26			1F	80,90	87	8	39	60	21	31	0,36	PHP 31-AT10-26RSB		
85,95	27			1F	84,10	91	8	39	60	21	31	0,36	PHP 31-AT10-27RSB		
89,25	28			1F	87,25	93	8	39	60	21	31	0,40	PHP 31-AT10-28RSB		
95,49	30			1F	93,65	99	8	39	60	21	31	0,44	PHP 31-AT10-30RSB		
101,86	32			1F	100,00	106	10	42	65	21	31	0,49	PHP 31-AT10-32RSB		
114,59	36			1F	112,75	119	10	45	70	21	31	0,63	PHP 31-AT10-36RSB		
120,96	38			1F	119,10	125	10	48	75	21	31	0,70	PHP 31-AT10-38RSB		
127,32	40			1F	125,45	131	10	52	80	21	31	0,77	PHP 31-AT10-40RSB		
133,69	42			1	131,85	-	10	57	80	21	31	0,88	PHP 31-AT10-42RSB		
140,05	44			1	138,20	-	10	57	88	21	31	0,99	PHP 31-AT10-44RSB		
143,24	45			1	141,40	-	16	59	90	21	31	1,01	PHP 31-AT10-45RSB		
152,78	48			1	150,95	-	16	62	95	21	31	1,09	PHP 31-AT10-48RSB		
190,98	60			1	189,15	-	16	72	110	21	31	1,71	PHP 31-AT10-60RSB		
10	25			38,20	12	1F	36,40	42	6	18	28	30	40	0,10	PHP 40-AT10-12RSB
				44,60	14	1F	42,70	48	8	21	32	30	40	0,13	PHP 40-AT10-14RSB
				47,80	15	1F	45,90	51	8	21	32	30	40	0,15	PHP 40-AT10-15RSB
				50,90	16	1F	49,10	54	8	23	35	30	40	0,18	PHP 40-AT10-16RSB
				54,10	17	1F	52,20	58	8	24	37	30	40	0,20	PHP 40-AT10-17RSB
				57,30	18	1F	55,50	60	8	26	40	30	40	0,22	PHP 40-AT10-18RSB
		60,50	19	1F	58,60	66	8	28	44	30	40	0,25	PHP 40-AT10-19RSB		
		63,70	20	1F	61,80	66	8	30	46	30	40	0,28	PHP 40-AT10-20RSB		
		66,80	21	1F	65,00	71	8	32	49	30	40	0,31	PHP 40-AT10-21RSB		
		70,00	22	1F	68,20	75	8	34	52	30	40	0,34	PHP 40-AT10-22RSB		
		73,20	23	1F	71,30	77	8	36	55	30	40	0,36	PHP 40-AT10-23RSB		
		76,40	24	1F	74,50	83	8	38	58	30	40	0,39	PHP 40-AT10-24RSB		
		79,60	25	1F	77,80	83	8	39	60	30	40	0,42	PHP 40-AT10-25RSB		
		82,80	26	1F	80,90	87	8	39	60	30	40	0,48	PHP 40-AT10-26RSB		

Metric timing pulleys
10 mm pitch type AT pilot bore (RSB)



Pitch	Belt width	Pitch diameter PD	Number of teeth	Pulley type	Dimensions						Mass	Designation		
					Outer diameter OD	A	B Min.	Max.	H	F			L	
mm					mm						kg			
10	25	86,00	27	1F	84,10	91	8	39	60	30	40	0,54	PHP 40-AT10-27RSB	
		89,20	28	1F	87,20	93	8	39	60	30	40	0,54	PHP 40-AT10-28RSB	
		95,50	30	1F	93,70	99	8	39	60	30	40	0,64	PHP 40-AT10-30RSB	
		101,90	32	1F	100,00	106	10	42	65	30	40	0,69	PHP 40-AT10-32RSB	
		114,60	36	1F	112,80	119	10	45	70	30	40	0,87	PHP 40-AT10-36RSB	
		121,00	38	1F	119,10	125	10	48	75	30	40	0,97	PHP 40-AT10-38RSB	
	10	32	127,30	40	1F	125,50	131	10	52	80	30	40	1,07	PHP 40-AT10-40RSB
			133,70	42	1	131,80	-	10	57	80	30	40	1,21	PHP 40-AT10-42RSB
			140,10	44	1	138,20	-	10	57	88	30	40	1,35	PHP 40-AT10-44RSB
			143,20	45	1	141,40	-	16	59	90	30	40	1,43	PHP 40-AT10-45RSB
			152,80	48	1	150,90	-	16	62	95	30	40	1,52	PHP 40-AT10-48RSB
			191,00	60	1	189,20	-	16	72	110	30	40	2,34	PHP 40-AT10-60RSB
			57,29	18	1F	55,45	60	8	26	40	37	47	0,25	PHP 47-AT10-18RSB
			60,48	19	1F	58,65	66	8	28	44	37	47	0,29	PHP 47-AT10-19RSB
			63,66	20	1F	61,80	66	8	30	46	37	47	0,32	PHP 47-AT10-20RSB
			66,85	21	1F	65,00	71	8	32	49	37	47	0,36	PHP 47-AT10-21RSB
			70,03	22	1F	68,15	75	8	34	52	37	47	0,39	PHP 47-AT10-22RSB
			73,21	23	1F	71,35	77	8	36	55	37	47	0,43	PHP 47-AT10-23RSB
76,39	24	1F	74,55	83	8	38	58	37	47	0,48	PHP 47-AT10-24RSB			
79,58	25	1F	77,75	83	8	39	60	37	47	0,53	PHP 47-AT10-25RSB			
82,76	26	1F	80,90	87	8	39	60	37	47	0,56	PHP 47-AT10-26RSB			
85,95	27	1F	84,10	91	8	39	60	37	47	0,60	PHP 47-AT10-27RSB			
89,25	28	1F	87,25	93	8	39	60	37	47	0,64	PHP 47-AT10-28RSB			
95,49	30	1F	93,65	99	8	39	60	37	47	0,74	PHP 47-AT10-30RSB			
101,86	32	1F	100,00	106	10	42	65	37	47	0,84	PHP 47-AT10-32RSB			
111,41	35	1F	109,55	115	10	45	70	37	47	0,96	PHP 47-AT10-35RSB			
114,59	36	1F	112,75	119	10	45	70	37	47	1,08	PHP 47-AT10-36RSB			
120,96	38	1F	119,10	125	10	48	75	37	47	1,20	PHP 47-AT10-38RSB			
127,32	40	1F	125,45	131	10	52	80	37	47	1,32	PHP 47-AT10-40RSB			
133,69	42	1	131,85	-	10	57	80	37	47	1,46	PHP 47-AT10-42RSB			
140,20	44	1	138,20	-	10	57	88	37	47	1,61	PHP 47-AT10-44RSB			
143,24	45	1	141,40	-	10	59	90	37	47	1,77	PHP 47-AT10-45RSB			
152,78	48	1	150,95	-	16	62	95	37	47	1,93	PHP 47-AT10-48RSB			
171,89	54	1	170,05	-	16	66	100	37	47	2,29	PHP 47-AT10-54RSB			
181,44	57	1	179,60	-	16	72	110	37	47	2,64	PHP 47-AT10-57RSB			
190,98	60	1	189,15	-	16	72	110	37	47	3,00	PHP 47-AT10-60RSB			
10	50	57,29	18	1F	55,45	60	10	26	40	56	66	0,42	PHP 66-AT10-18RSB	
		60,48	19	1F	58,65	66	10	28	44	56	66	0,47	PHP 66-AT10-19RSB	
		63,66	20	1F	61,80	66	12	30	46	56	66	0,52	PHP 66-AT10-20RSB	
		66,85	21	1F	65,00	71	12	32	49	56	66	0,55	PHP 66-AT10-21RSB	
		70,20	22	1F	68,15	75	12	34	52	56	66	0,57	PHP 66-AT10-22RSB	
		73,21	23	1F	71,35	77	12	36	55	56	66	0,65	PHP 66-AT10-23RSB	
	76,39	24	1F	74,55	83	12	38	58	56	66	0,74	PHP 66-AT10-24RSB		
	79,58	25	1F	77,75	83	12	39	60	56	66	0,77	PHP 66-AT10-25RSB		
	82,76	26	1F	80,90	87	12	39	60	56	66	0,82	PHP 66-AT10-26RSB		
	85,95	27	1F	84,10	90	12	39	60	56	66	0,95	PHP 66-AT10-27RSB		
	89,25	28	1F	87,25	93	12	39	60	56	66	0,96	PHP 66-AT10-28RSB		
	95,49	30	1F	93,65	99	12	39	60	56	66	1,17	PHP 66-AT10-30RSB		
	101,86	32	1F	100,00	106	12	42	65	56	66	1,30	PHP 66-AT10-32RSB		
	111,41	35	1F	109,55	115	16	45	70	56	66	1,47	PHP 66-AT10-35RSB		
	114,59	36	1F	112,75	119	16	45	70	56	66	1,64	PHP 66-AT10-36RSB		
	120,96	38	1F	119,10	125	16	48	75	56	66	1,82	PHP 66-AT10-38RSB		
	127,32	40	1F	125,45	131	16	52	80	56	66	2,00	PHP 66-AT10-40RSB		

Metric timing pulleys

10 mm pitch type AT pilot bore (RSB)

Pitch	Belt width	Pitch diameter	Number of teeth	Pulley type	Dimensions						Mass	Designation		
		PD			Outer diameter OD	A	B Min.	Max.	H	F			L	
mm			–	–	mm						kg	–		
10	50	133,69	42	1	131,85	–	16	57	80	56	66	2,18	PHP 66-AT10-42RSB	
		140,20	44	1	138,20	–	16	57	88	56	66	2,36	PHP 66-AT10-44RSB	
		143,24	45	1	141,40	–	16	59	90	56	66	2,59	PHP 66-AT10-45RSB	
		152,78	48	1	150,95	–	16	62	95	56	66	2,83	PHP 66-AT10-48RSB	
		171,89	54	1	170,05	–	16	66	100	56	66	3,34	PHP 66-AT10-54RSB	
		181,44	57	1	179,60	–	16	72	110	56	66	3,85	PHP 66-AT10-57RSB	
		190,98	60	1	189,15	–	16	72	110	56	66	4,37	PHP 66-AT10-60RSB	



Smart Tools



Belt tools 298



Shaft alignment tools 301

Belt tools

SKF Belt Frequency Meter PHL FM 10/400

SKF Belt Frequency Meter PHL FM 10/40

One of the most accurate belt tension measurement methods

Correct belt tension is crucial for the whole drive system, its service life and the service life of associated components such as bearings and seals. Therefore, it is important to get accurate and reliable results when measuring belt tension.

The SKF Belt Frequency Meter is one of the most accurate tools available for measuring belt tension. Readings are quick, reliable and, most importantly, repeatable. The tool is extremely easy to use and minimizes the risk of errors.

Wide range of applications

The SKF Belt Frequency Meter consists of a hand-held meter and an optical sensor to provide contact-free belt tension measurements for most of the following belt types, even in a noisy environment:

- V-Belts (wrapped, cogged raw edge, ribbed)
- Banded V-Belts
- Timing belts

The SKF Belt Frequency Meter is capable of measuring belt vibration frequencies from 10 to 400 Hz. Based upon the measured belt frequency, the SKF Belt Frequency Meter calculates belt tensions up to 9 900 N (2 200 lbs.).

Easy and quick to use

- Simply key-in the span length and mass data. Data can also be saved and recalled for repeated use, if necessary
- Aim sensor at centre of selected belt span and pluck or tap the belt
- The display will show the measured frequency which can be toggled to either newton or pound force values
- Readjust the belt tension, if necessary, and take another measurement to confirm correct tension



Belt tools

SKF Belt Tension System

High quality belt drive maintenance – reduces time and effort

The SKF Belt Tension System is a motor base for electric motors. Due to the system's hydraulic cylinders, belt maintenance becomes an easy task. The SKF Belt Tension System allows quick belt replacement and tensioning, while not disturbing the initial alignment. By connecting a hand-held hydraulic pump, the cylinders of the SKF Belt Tension System can be moved up and down. This enables a controlled moving of the motor axis which is directly related to the belt tension and the pressure in the cylinders. This unique function allows for quick and easy belt tension checks as well as belt replacements.

Additional required and recommended tools: Only a hammer and a hand-held hydraulic pump, such as the SKF THPT1, are required for using the SKF Belt Tension System. Additionally, it is recommended that you use a laser alignment tool, e.g. the SKF Belt Alignment Tool TMEB 2, and the SKF Belt Frequency Meter for checking the tension of the belt when the SKF Belt Tension System is initially installed.

Selection guide for the SKF Belt Tension System:

Designation	IEC Motor class
PHL 160/180 H1	160 and 180
PHL 200/225 H1	200 and 225
PHL 250/280 H1	250 and 280
PHL 315 H1	315
PHL 355 H1	355
PHL 400 H1	400

In addition, several NEMA standard motors can be mounted on the SKF Belt Tension System. To do this, please contact SKF for additional information.

Various benefits for the belt drive achieved by use of this system

- Alignment is necessary only once, independent of the number of belt replacements
- Safe, simple and fast belt replacement
- Less costly, time-consuming breakdowns of the whole system
- Less vibration improves system efficiency
- Quick and reliable tension checks
- Easy preventive maintenance
- Repeatable maintenance quality
- Reduced costs due to prolonged belt life



Belt tools

SKF Belt Alignment Tool TMEB 2

SKF Belt Alignment Tool TMEB 2

Belt-driven machinery downtime caused by misalignment is a thing of the past

The SKF Belt Alignment Tool, TMEB 2, aligns the pulleys where it counts most – in the grooves. V-guides and powerful magnets allow the TMEB 2 to be fitted in the grooves of the pulley. With only two components, a laser-emitting unit and a receiver unit, the TMEB 2 is fast and easy to attach. The three-dimensional target area on the receiver unit allows the easy detection of misalignment as well as its nature; whether it is horizontal, vertical, parallel or a combination of all three. Armed with this precise information, the operator can easily make the appropriate adjustments until the laser line corresponds with the reference line on the receiver unit.

Versatile and user-friendly

- Powerful magnets allow fast and easy attachment
- Easy-to-use, requires no special training to operate
- Three-dimensional target area simplifies the alignment process
- Facilitates simultaneous adjustment of tension and alignment
- V-guides facilitate the alignment of a wide range of V-belt pulleys
- Special side adaptor, allowing alignment of multi-ribbed and timing belt pulleys as well as chain sprockets, is available as accessory
- A maximum operating distance of 6 meters (20 ft.) makes it suitable for use in various applications
- Sturdy aluminium housings provide great assembly stability and accuracy

Pinpoint accuracy with laser technology

- Aligns grooves of the pulley rather than its face, allowing the alignment of pulleys of unequal width or with dissimilar faces – even fits applications where the pulley face cannot be used as a reference
- No trial and error. The laser position indicates the nature of misalignment allowing easy and accurate adjustment



Shaft alignment tools

TKSA Series

Pinpoint accurate alignment simply achieved

The SKF Shaft Alignment Tools, TKSA series, offer you simplicity with a high degree of accuracy.

Measuring, aligning and documenting

These highly innovative tools feature a three-step process for measuring and correcting alignment. First, measure the machinery's current alignment status. Then, align the machine vertically and horizontally. Finally, document and keep track of the alignment activities.

These three simple steps allow you to easily and effectively align shafts using advanced laser technology.

Features

- Easy-to-use, three-step process: measure-align-document
- Compact, lightweight design
- Spirit levels allow easy and fast positioning of the measuring units
- Measurements in millimetres or inches facilitate worldwide use
- Supplied in sturdy, lightweight carrying cases for portability



SKF Shaft Alignment Tool

TKSA 20 | TKSA 40

The quick, easy and affordable laser shaft alignment tool

The TKSA 20 is an easy-to-use laser shaft alignment tool, which requires no special training to operate. Compared to traditional dial indicator methods, the shaft alignment process is greatly simplified, as no additional calculations are required in order to make the necessary adjustments.

Features

- Alignment actions displayed: Clear “real-time” coupling and feet values, given during the alignment process, make alignment corrections quick and easy
- Soft foot check: “Soft foot” function helps determine if the machine is standing evenly on all feet; an essential check for good shaft alignment
- Easy pre-alignment: For machines that are grossly misaligned, the laser lines and scales enable rapid pre-alignment
- Easy for inexperienced users: Quick Start Guide allows virtually any technician to quickly become familiar with the process. Full instructions, instructional video and alignment report forms in multiple languages supplied on a CD
- The attractively priced TKSA 20 easily provides a short return on investment



The intuitive laser shaft alignment tool allows results to be stored and shared

The TKSA 40 is intuitive in operation, thanks to its animated graphical interface. Not only is it quick and easy to use, but alignment results can be stored and shared using a USB cable and a PC. Compared to traditional methods, the shaft alignment process is greatly simplified; just follow the instructions on the screen to make a precise alignment.

Features

- Intuitive: Animated graphical interface on a 4 inch back-lit screen and alphanumeric key functions simplify the whole process
- Alignment actions displayed: Clear “real-time” coupling and feet values, given during the alignment process, make alignment corrections quick and easy
- Built-in alignment recommendation: Predefined and user definable tolerance tables greatly simplify assessment of the alignment
- Alignment data sharing: Alignment settings and results can be stored in the internal memory or downloaded via USB cable to a PC. Files are easily shared with others without the need of special software.
- Soft foot check: “Soft foot” function helps determine if the machine is standing evenly on all feet; an essential check for good shaft alignment
- Easy pre-alignment: For machines that are grossly misaligned, the laser lines and scales enable rapid pre-alignment
- Easy for all users: A Quick Start Guide and intuitive menus allow virtually any technician to quickly be familiar with the process. Full instructions are supplied on a CD in multiple languages



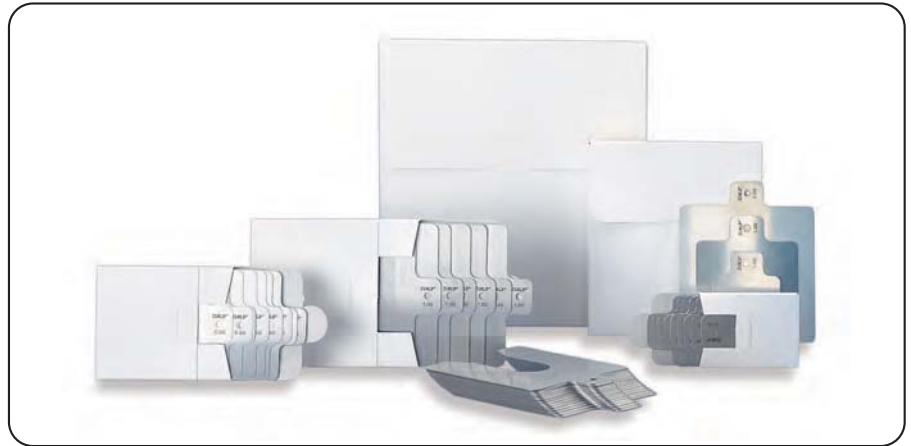
Shaft alignment tools

TMAS shim kits

For accurate vertical machinery alignment

Accurate machine adjustment is an essential element of any alignment process. SKF single slot pre-cut shims are available in five different dimensions and in ten different thicknesses.

- Made of high quality stainless steel allowing re-use
- Easy to fit and to remove
- Close tolerances for accurate alignment
- Thickness clearly marked on each shim
- Fully de-burred
- Pre-cut shims are supplied in packs of 10 and complete kits are also available



Contents TMAS Shim Kits

TMAS 340									
Thickness (mm)	0,05	0,10	0,20	0,25	0,40	0,50	0,70	1,00	2,00
Size (mm)	Quantities:								
100x100	20	20	20	20	20	20	20	20	10
125x125	20	20	20	20	20	20	20	20	10
TMAS 360									
Thickness (mm)	0,05	0,10	0,25	0,50	1,00	2,00			
Size (mm)	Quantities:								
50x50	20	20	20	20	20	20			
75x75	20	20	20	20	20	20			
100x100	20	20	20	20	20	20			
TMAS 510									
Thickness (mm)	0,05	0,10	0,20	0,25	0,40	0,50	0,70	1,00	2,00
Size (mm)	Quantities:								
50x50	20	20	20	20	20	20	20	20	10
75x75	20	20	20	20	20	20	20	20	10
100x100	20	20	20	20	20	20	20	20	10
TMAS 720									
Thickness (mm)	0,05	0,10	0,20	0,25	0,40	0,50	0,70	1,00	2,00
Size (mm)	Quantities:								
50x50	20	20	20	20	20	20	20	20	20
75x75	20	20	20	20	20	20	20	20	20
100x100	20	20	20	20	20	20	20	20	20
125x125	20	20	20	20	20	20	20	20	20



TMAS 340



TMAS 360



TMAS 510



TMAS 720



® SKF is a registered trademark of the SKF Group.

Hytrel is a registered trademark of DuPont. Dacromet and Dacrotized are registered trademarks of Metal Coatings International Inc. Corporation.

© SKF Group 2011

The contents of this publication are the copyright of the publisher and may not be reproduced (even extracts) unless prior written permission is granted. Every care has been taken to ensure the accuracy of the information contained in this publication but no liability can be accepted for any loss or damage whether direct, indirect or consequential arising out of the use of the information contained herein.

PUB PT/P1 11015 EN · April 2011

This publication supersedes publication 6219.

Printed in Germany on environmentally friendly paper.